

All rights reserved by **CNHi**.

The information contained in this catalogue is intended to be of a general nature only. **CNHi** may at any time and from time to time, for technical or other necessary reasons, modify any of the details or specifications of the product described in this catalogue.

To be sure of getting accurate, detailed and up-to-date information, an intending buyer should consult his nearest **CNHi** dealer or distributor.

Single item numeration method used in this catalogue may not be used without written consent from **CNHi**.

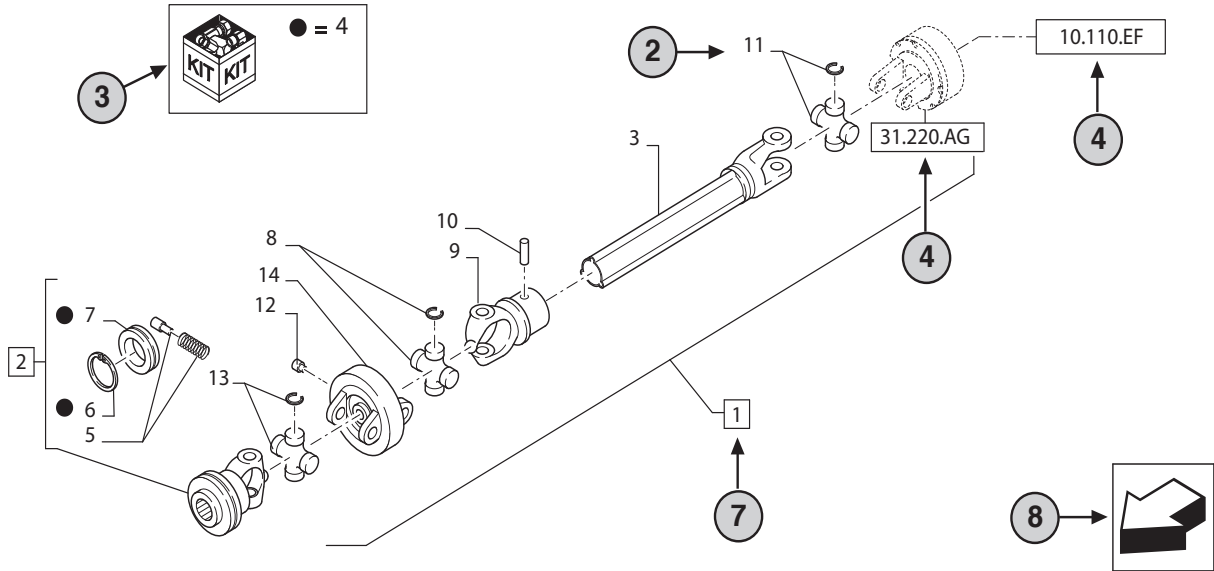
31.220.AD

01

p1

10/2014

VAR - 123782, 789101,987654 - PTO - D650



STANDARD ← 6

23

9

10

31.220.AD

01

p1

10/2014

VAR - 123782, 789101,987654 - PTO - D650

11


12

13

14

REF	FN	PART NUMBER	YR/SN	QTY	DESCRIPTION
1	1	86529340	20	1	SHAFT PTO, Incl 2 - 11
2	15	84014007		1	YOKE, Incl 4 -7 ← 7
3	16	NSS		1	NOT SERVICED SEPARATELY, SHAFT, 350mm, Incl in 1
4		84004292		1	KIT, Seal Kit, Incl 6, 7 ← 17
4		{84058743}		1	KIT, Seal Kit, Incl 6, 7
2	18		21		
	19		22		
		1 = FOR ITALY ONLY ← 5			

MODELS ← 1

- 1 Model Number and Model Description
- 2 Reference - Figure call-out of the part number.
- 3 Parts supplied in repair kits per symbol reference.
- 4 31.220.AD Part illustrated on the **Page** or in the **Figure** indicated, or calls for **Variations** or **Details**. Indicates components shown in detail elsewhere in the catalogue under the figure number shown.
- 5 Footnote references
- 6 Figure notes
- 7 1 2 Includes item(s) ..... (See Description within partlist).
- 8 Orientation. (Arrow indicates front of the machine). 
- 9 Figure description.
- 10 General information of the figure.
- 11 Figure title number that aligns with the SRT. Standard Repair Time.
- 12 **Sequence** code within the assembly.
- 13 Page number within the sequence code.
- 14 **Date** of printing or updating of page (month-year).
- 15 **Note** - Relating to the Part Number. There is a key to symbols and abbreviations at the bottom of the text page.
- 16 Non-serviced parts.
- 17 Further description of the part to help confirm identification.
- 18 Not available as service part.
- 19 Part Number.
- 20 To be defined.
- 21 Total **Quantity** of the Part referred to in the page.  
The quantity can be replaced by the following indications:  
**AR** = quantity as requested.
- 22 Part **Description**.
- 23 Variant Codes

---

## TABLE OF CONTENTS

---

00.000.00		PICTORIAL INDEX - MAIN SECTIONS
00.000.05		PICTORIAL INDEX - MACHINE COMPLETION AND EQUIPMENT
00.000.10		PICTORIAL INDEX - ENGINE
00.000.21		PICTORIAL INDEX - TRANSMISSION
00.000.23		PICTORIAL INDEX - FOUR WHEEL DRIVE SYSTEM
00.000.25		PICTORIAL INDEX - FRONT AXLE SYSTEM
00.000.27		PICTORIAL INDEX - REAR AXLE SYSTEM
00.000.29		PICTORIAL INDEX - HYDROSTATIC TRANSMISSION
00.000.31		PICTORIAL INDEX - IMPLEMENT POWER TAKE-OFF
00.000.33		PICTORIAL INDEX - BRAKES AND CONTROLS
00.000.35		PICTORIAL INDEX - HYDRAULIC SYSTEMS
00.000.37		PICTORIAL INDEX - HITCHES, DRAWBARS AND IMPLEMENT COUPLINGS
00.000.41		PICTORIAL INDEX - STEERING
00.000.44		PICTORIAL INDEX - WHEELS
00.000.55		PICTORIAL INDEX - ELECTRICAL SYSTEMS
00.000.88		PICTORIAL INDEX - ACCESSORIES
00.000.90		PICTORIAL INDEX - PLATFORM, CAB, BODYWORK AND DECALS
05.100.03	01	FILTERS
05.100.03	02	CAPACITIES
05.100.99		INITIAL STOCKING LIST (LIST C)
10.000.00		SECTION INDEX - ENGINE
10.001.AB	01	CRANKCASE ASSY
10.001.AD	01	ENGINE
10.001.AK	01	ENGINE FRAME
10.101.AA	01	CYLINDER HEAD
10.102.BB	01	GEAR, TIMING CONTROL
10.103.AA	01	CRANKSHAFT PULLEY & HUB
10.106.AA	01	ROCKER COVER & CAMSHAFT
10.202.AB	01	AIR CLEANER
10.216.AI	01	FUEL TANK
10.218.AI	01	FUEL LINE & INLINE FILTER
10.254.AC	01	EXHAUST MANIFOLD
10.254.AI	01	MUFFLER
10.400.BE	01	RADIATOR
10.400.BE	02	WATER PUMP & RELATED PARTS
10.501.AD	01	DOC & DPF

---

## TABLE OF CONTENTS

---

10.501.AF	01	BURNER
10.501.AF	02	BURNER, INJECTOR
10.501.AG	01	AIR PUMP
18.000.00		SECTION INDEX - CLUTCH
18.100.AF	01	CLUTCH PEDAL, MECHANICAL
18.110.AB	01	CLUTCH, MECHANICAL
18.112.AC	01	DAMPER
21.000.00		SECTION INDEX - TRANSMISSION
21.109.AL	01	TRANSMISSION OIL COOLER, HST
21.110.AB	01	CLUTCH HOUSING, MECHANICAL
21.110.AB	02	CLUTCH HOUSING, HST
21.120.AB	01	TRANSMISSION HOUSING
21.120.AF	01	PTO SHIELD
21.130.BC	01	SHIFT LEVER AND FORK, MAIN GEAR
21.130.BC	02	SHIFTING UNIT, FORWARD/REVERSE LEVER, MECHANICAL
21.130.BC	03	SHIFT LEVER, RANGE GEAR, MECHANICAL
21.140.AB	01	RANGE, GEAR SHAFT, MECHANICAL
21.140.AB	02	RANGE GEAR SHAFT HST
21.140.AK	01	MAIN SHAFT - FRONT DRIVELINE SELECTION
23.000.00		SECTION INDEX - FOUR WHEEL DRIVE SYSTEM
23.314.AG	01	4WD SHAFT
23.314.AH	01	FRONT DRIVE
25.000.00		SECTION INDEX - FRONT AXLE SYSTEM
25.100.AA	01	FRONT AXLE ASSY
25.102.AD	01	FRONT DIFFERENTIAL
25.102.AJ	01	FRONT AXLE HOUSING
25.102.AJ	02	FRONT AXLE HOUSING
27.000.00		SECTION INDEX - REAR AXLE SYSTEM
27.100.AK	01	REAR AXLE
27.106.AC	01	REAR AXLE, DIFFERENTIAL
27.106.AK	01	DIFFERENTIAL LOCK, MECHANICAL
27.106.AK	02	DIFFERENTIAL LOCK, HST
29.000.00		SECTION INDEX - HYDROSTATIC DRIVE
29.200.AI	01	CONTROL LINK, HST
29.200.AI	02	HST, PEDAL
29.200.AM	01	CRUISE ON/OFF SWITCH

---

## TABLE OF CONTENTS

---

29.202.AJ	01	HYDROSTATIC TRANSMISSION
29.202.AJ	02	FILTER & LINE
29.202.AJ	03	HYDROSTATIC TRANSMISSION HOUSING
29.202.AJ	04	HYDROSTATIC PUMP ROTATING GROUP
29.202.AJ	05	HYDROSTATIC PUMP, SEAL KIT
31.000.00		SECTION INDEX - IMPLEMENT POWER TAKE OFF
31.101.AB	01	PLUG, CAP
31.102.AA		PTO SHAFT & GEAR
31.110.AH	01	PTO SHAFT, MECHANICAL
31.110.AH	02	PTO SHAFT, HST
31.110.AI		PTO SHIELD FLIP UP
31.120.AA	01	PTO, HYDRAULIC LINE, MECHANICAL
31.120.AA	02	PTO, HYDRAULIC LINE, HST
31.120.AA	03	MID PTO HOUSING & LEVER
31.201.AG	01	PTO DRIVE SHAFT
31.201.AG	02	INDEPENDENT PTO VALVE
33.000.00		SECTION INDEX - BRAKES & CONTROLS
33.120.AG	01	BRAKE PEDAL, MECHANICAL
33.120.AG	02	BRAKE PEDAL, HST
33.120.AH	01	BRAKES
35.000.00		SECTION INDEX - HYDRAULIC SYSTEMS
35.100.AA	01	HYDRAULIC, HOUSING, GEARS & SUPPORT
35.100.AA	02	HYDRAULIC HOUSING
35.100.AH	01	HYDRAULIC SUCTION LINE
35.102.AE	01	PRESSURE CONTROL VALVE
35.102.AE	02	HYDRAULIC LINES
35.116.AH	01	HYDRAULIC CYLINDER
35.128.AE	01	HYDRAULIC CONTROL LEVER
35.128.AE	01	MID MOUNT VALVE
35.204.BE	01	REMOTE CONTROL VALVE, 2 QC
35.748.AF	01	LIFT CONTROL VALVE & LINK
35.748.AF	02	LIFT LINK
37.000.00		SECTION INDEX - HITCHES, DRAWBARS AND IMPLEMENT COUPLINGS
37.100.AA	01	DRAWBAR AND HITCH
37.108.AE	01	CONTROL LEVER
37.120.AA	01	LINK ARM ASSY KIT

---

**TABLE OF CONTENTS**

---

37.120.AA	01	UPPER AND LOWER LINK
37.120.AF	01	STABILIZER
37.120.AL	01	UPPER LINK BRACKET
37.120.AO	01	LEVER STOPPER
37.120.AV	01	LIFTING ROD
41.000.00		SECTION INDEX - STEERING
41.101.AB	02	STEERING COLUMN
41.101.AJ	01	STEERING WHEEL
41.101.AU	01	PEDAL FRAME
41.106.AG	01	TIE-ROD ASSY
41.200.AE	01	STEERING LINE, HOSE
41.216.AN	01	STEERING CYLINDER
41.216.AN	02	STEERING LINE
41.216.AN	03	STEERING LINE, HST
44.000.00		SECTION INDEX - WHEELS
44.520.AB	01	WHEEL AND TIRE
55.000.00		SECTION INDEX - ELECTRICAL SYSTEMS
55.012.AD	01	COOLING SYSTEM LINE
55.100.DO	01	FUSE BOX
55.202.AE		ENGINE, BLOCK HEATER
55.302.AG	01	BATTERY
55.302.AI	01	RELAY
55.404.AC	01	LAMP
55.404.AC	02	HEAD LAMP
55.404.BH	01	REFLECTOR
55.408.AM	01	HORN
55.510.AB	01	WIRE HARNESS
55.512.BN	01	METER, PANEL
55.515.AB	01	ENGINE, WIRE HARNESS
55.525.AK	01	PEDAL, THROTTLE SWITCH
55.525.AL	01	ENGINE THROTTLE CONTROL
88.090.01	01	GPS PARTS WITH NO MODEL
88.100.18		DIA KIT, REMOTE CONTROL VALVE
88.100.19		DIA KIT, TRANSMISSION IMMERSION HEATER
88.100.20		KIT, GRILLE GUARD
88.100.21		DIA KIT, FRONT WEIGHT CARRIER

---

## TABLE OF CONTENTS

---

88.100.22		WARNING TRIANGLE
90.000.00		SECTION INDEX - PLATFORM, CAB, BODYWORK & DECALS
90.100.AU	01	GRILLE
90.108.AB	01	MODEL DECALS
90.108.AC	01	SAFETY DECALS
90.114.AQ	01	SAFETY FRAME
90.116.AC	01	FENDER
90.116.AC	02	FENDER GRIP
90.118.AX	01	SUB STEP
90.118.AX	02	STEP AND RUBBER MOUNTING
90.120.AD	01	SEAT
90.120.AD	02	HOOD SUPPORT
90.120.AD	03	HOOD
90.160.AO		INSTRUMENT CLUSTER



---

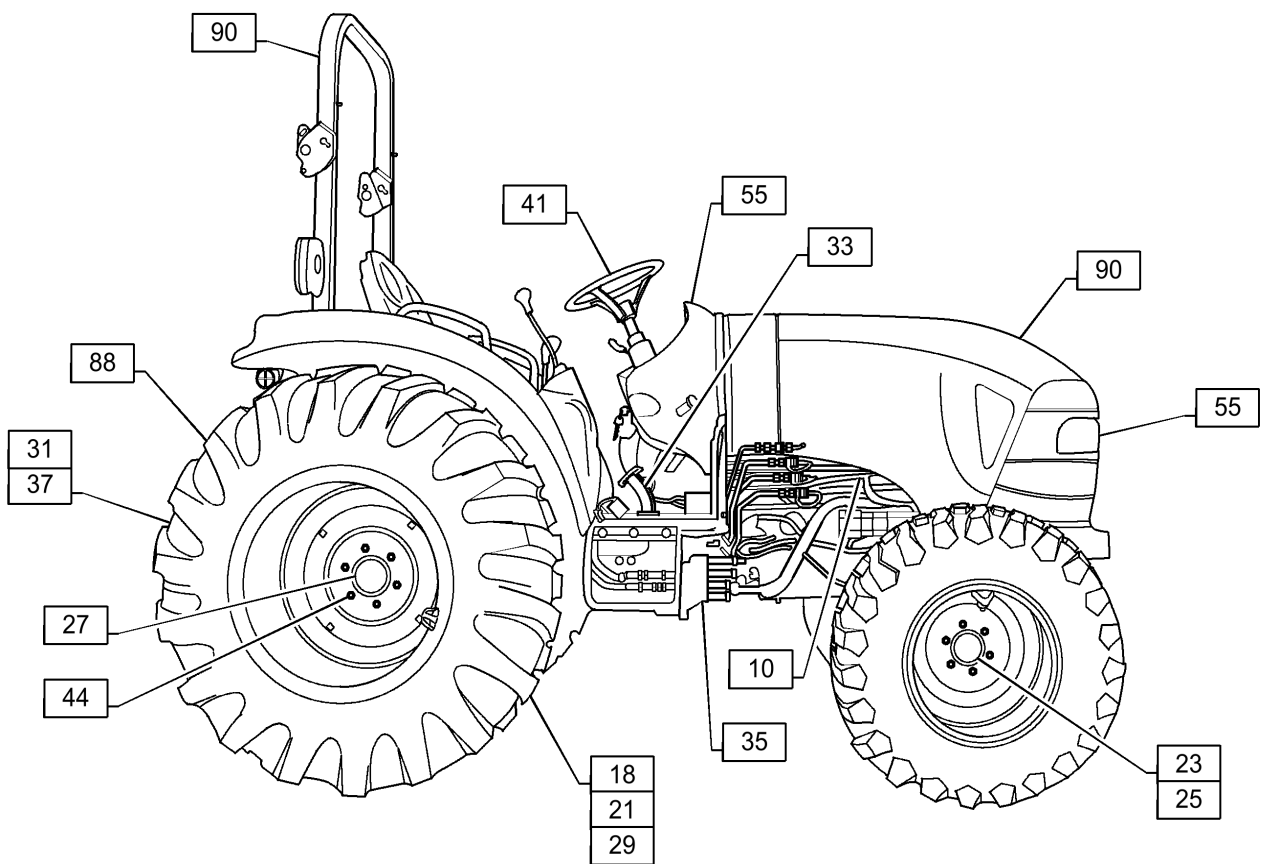
## SECTION INDEX

### GENERAL & PICTORIAL INDEX

---

00.000.00	PICTORIAL INDEX - MAIN SECTIONS
00.000.05	PICTORIAL INDEX - MACHINE COMPLETION AND EQUIPMENT
00.000.10	PICTORIAL INDEX - ENGINE
00.000.21	PICTORIAL INDEX - TRANSMISSION
00.000.23	PICTORIAL INDEX - FOUR WHEEL DRIVE SYSTEM
00.000.25	PICTORIAL INDEX - FRONT AXLE SYSTEM
00.000.27	PICTORIAL INDEX - REAR AXLE SYSTEM
00.000.29	PICTORIAL INDEX - HYDROSTATIC TRANSMISSION
00.000.31	PICTORIAL INDEX - IMPLEMENT POWER TAKE-OFF
00.000.33	PICTORIAL INDEX - BRAKES AND CONTROLS
00.000.35	PICTORIAL INDEX - HYDRAULIC SYSTEMS
00.000.37	PICTORIAL INDEX - HITCHES, DRAWBARS AND IMPLEMENT COUPLINGS
00.000.41	PICTORIAL INDEX - STEERING
00.000.44	PICTORIAL INDEX - WHEELS
00.000.55	PICTORIAL INDEX - ELECTRICAL SYSTEMS
00.000.88	PICTORIAL INDEX - ACCESSORIES
00.000.90	PICTORIAL INDEX - PLATFORM, CAB, BODYWORK AND DECALS

PICTORIAL INDEX - MAIN SECTIONS



**00.000.00**

p1

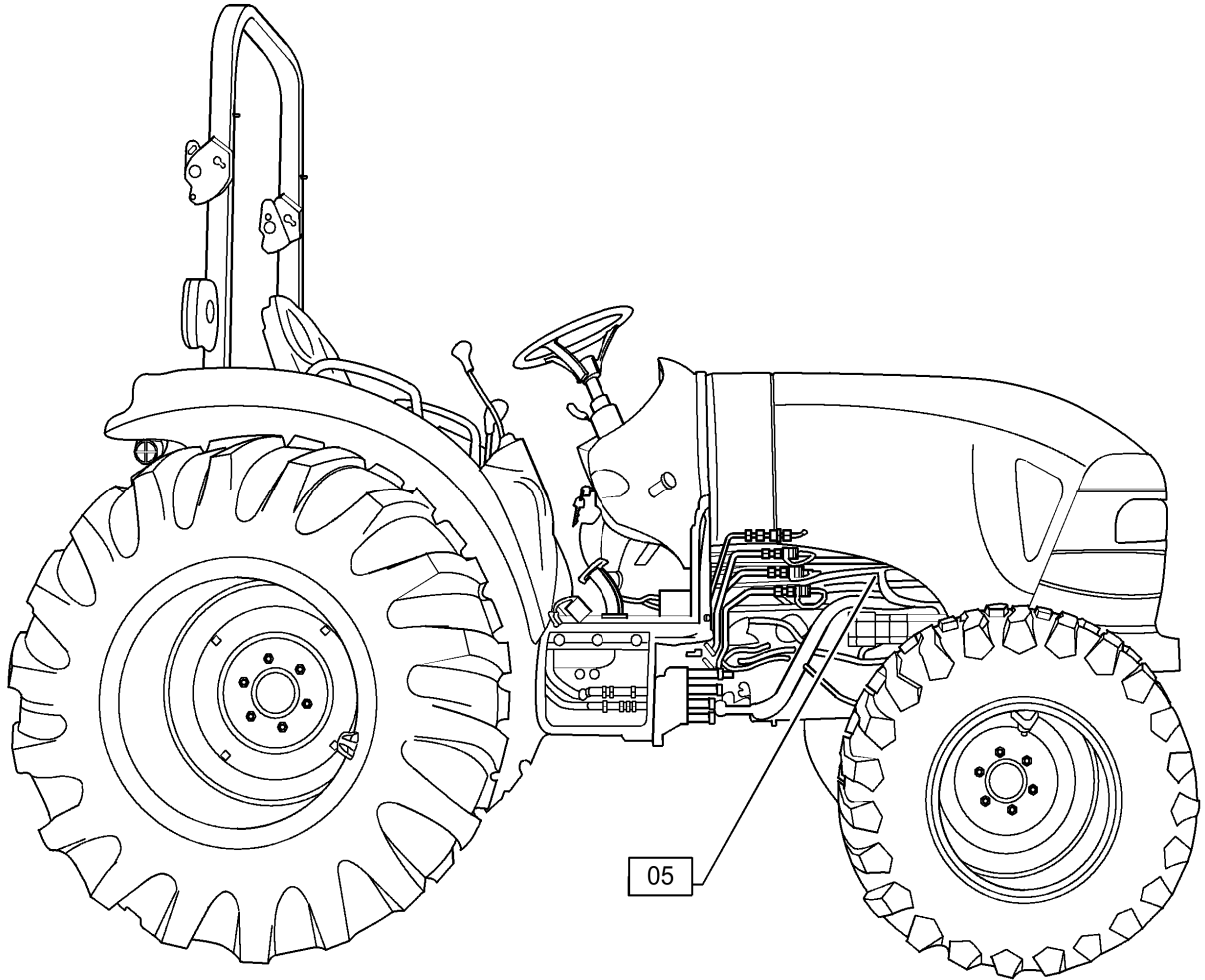
5/2018

**PICTORIAL INDEX - MAIN SECTIONS**

<b>REF FN</b>	<b>PART NUMBER</b>	<b>YR/SN</b>	<b>QTY DESCRIPTION</b>
---------------	--------------------	--------------	------------------------

**WORKMASTER 33-COMPACT TRACTOR W/ROPS - TIER 4B (NA)**

PICTORIAL INDEX - MACHINE COMPLETION AND EQUIPMENT



**00.000.05**

p1

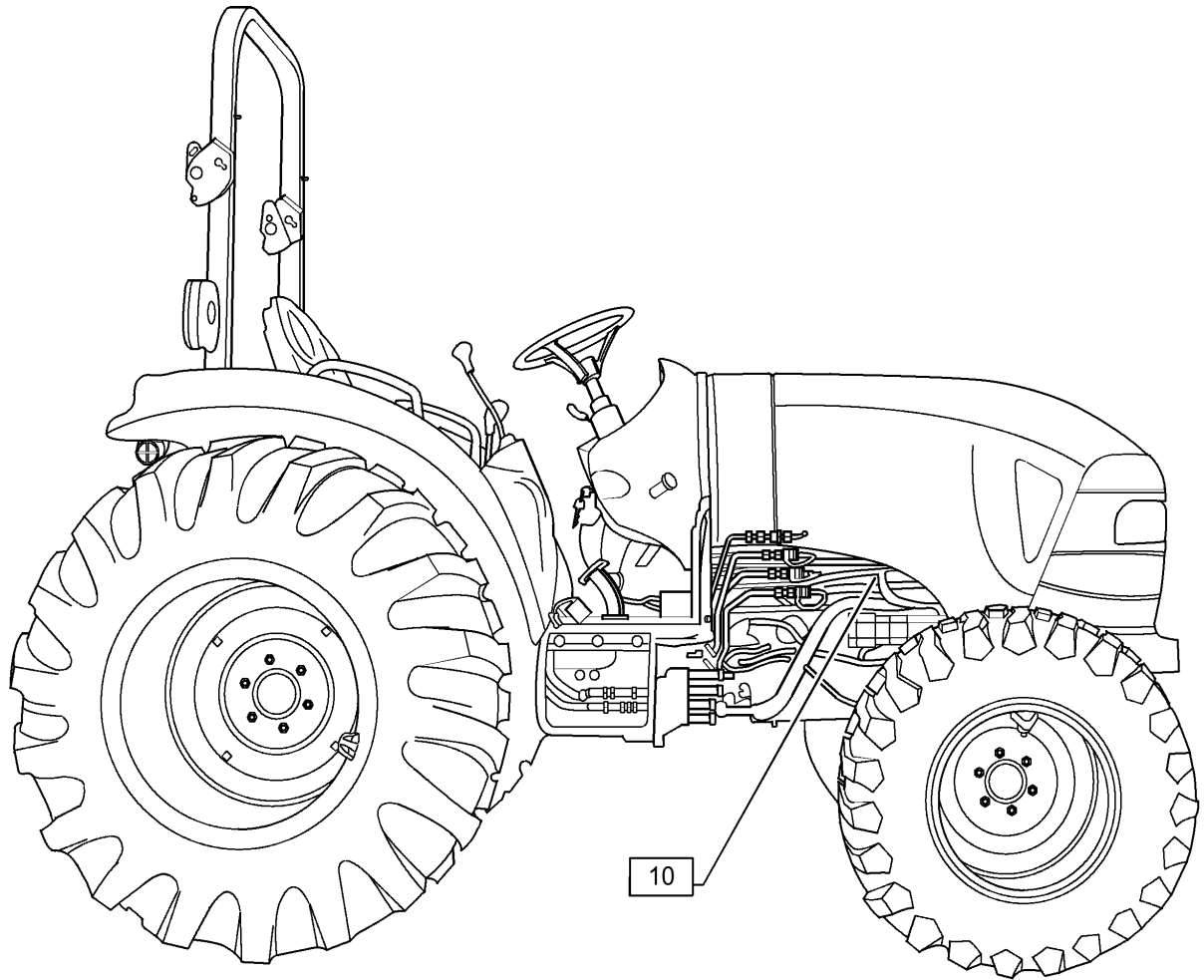
5/2018

**PICTORIAL INDEX - MACHINE COMPLETION AND EQUIPMENT**

<b>REF FN</b>	<b>PART NUMBER</b>	<b>YR/SN</b>	<b>QTY DESCRIPTION</b>
---------------	--------------------	--------------	------------------------

**WORKMASTER 33-COMPACT TRACTOR W/ROPS - TIER 4B (NA)**

PICTORIAL INDEX - ENGINE



**00.000.10**

p1

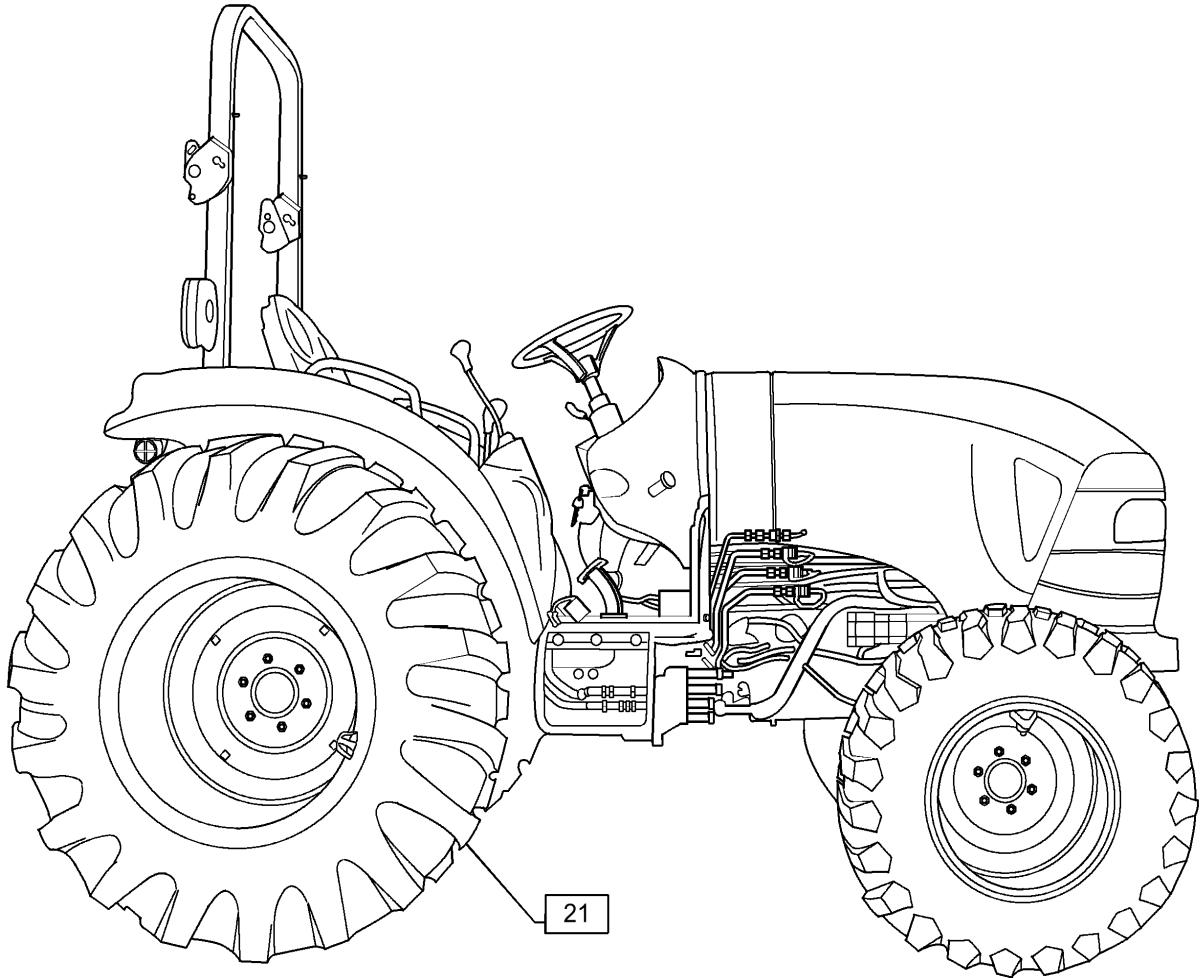
5/2018

**PICTORIAL INDEX - ENGINE**

<b>REF FN</b>	<b>PART NUMBER</b>	<b>YR/SN</b>	<b>QTY DESCRIPTION</b>
---------------	--------------------	--------------	------------------------

**WORKMASTER 33-COMPACT TRACTOR W/ROPS - TIER 4B (NA)**

PICTORIAL INDEX - TRANSMISSION



**00.000.21**

p1

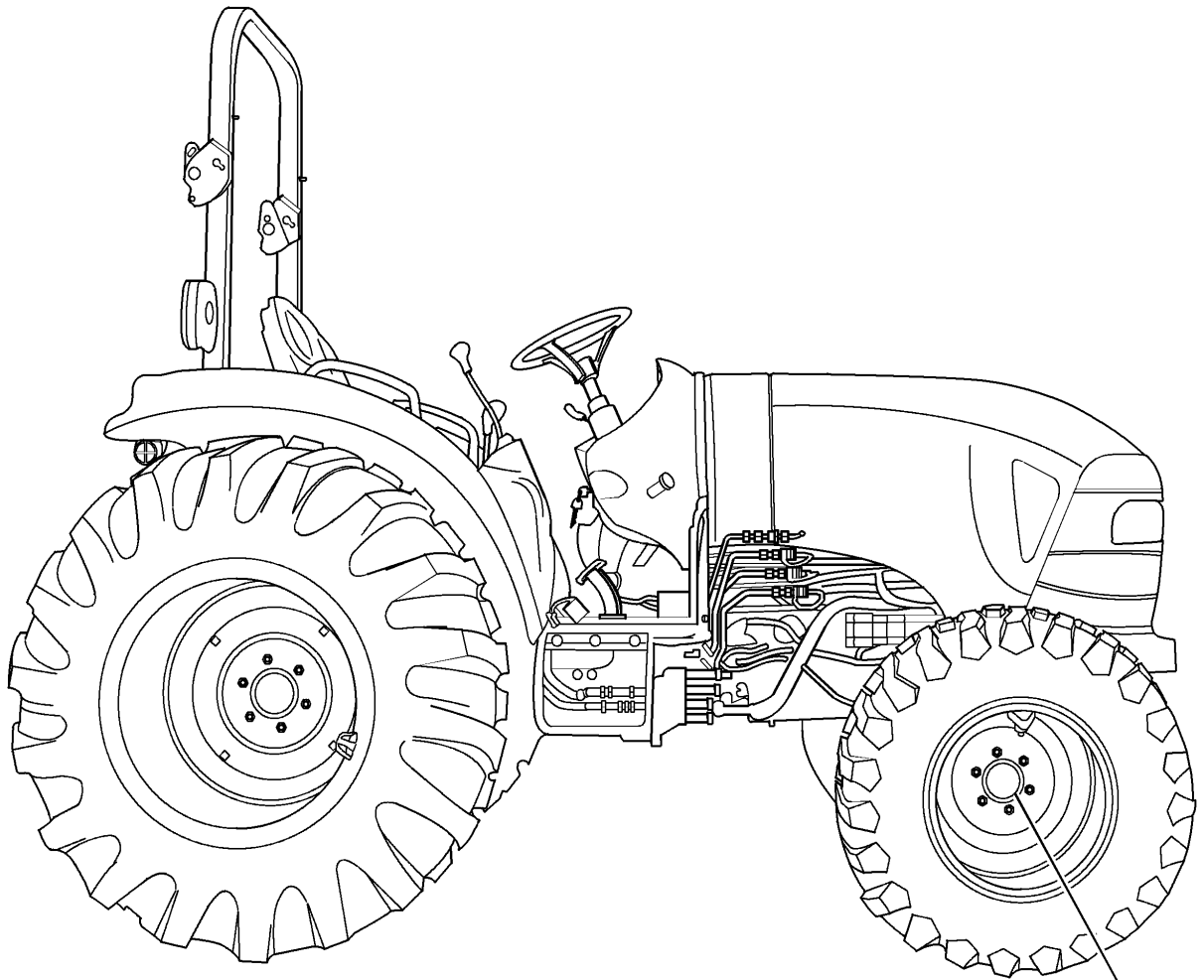
5/2018

**PICTORIAL INDEX - TRANSMISSION**

<b>REF FN</b>	<b>PART NUMBER</b>	<b>YR/SN</b>	<b>QTY</b>	<b>DESCRIPTION</b>
---------------	--------------------	--------------	------------	--------------------

**WORKMASTER 33-COMPACT TRACTOR W/ROPS - TIER 4B (NA)**

PICTORIAL INDEX - FOUR WHEEL DRIVE SYSTEM



23

**Thanks very much for your reading,  
Want to get more information,  
Please click here, Then get the complete  
manual**

**JustClickHere** 

**NOTE:**

**If there is no response to click on the link above,  
please download the PDF document first, and then  
click on it.**

**Have any questions please write to me:  
[admin@servicemanualperfect.com](mailto:admin@servicemanualperfect.com)**