

All rights reserved by **CNHi**.

The information contained in this catalogue is intended to be of a general nature only. **CNHi** may at any time and from time to time, for technical or other necessary reasons, modify any of the details or specifications of the product described in this catalogue.

To be sure of getting accurate, detailed and up-to-date information, an intending buyer should consult his nearest **CNHi** dealer or distributor.

Single item numeration method used in this catalogue may not be used without written consent from **CNHi**.

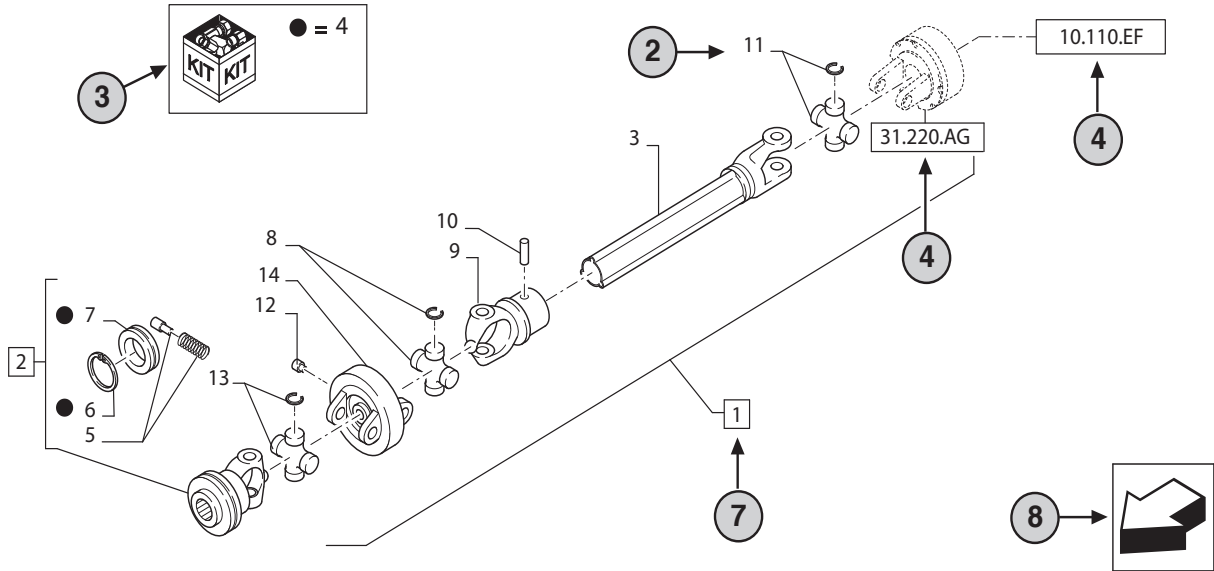
31.220.AD

01

p1

10/2014

VAR - 123782, 789101,987654 - PTO - D650



STANDARD ← (6)

(23)

(9)

(10)

31.220.AD

01

p1

10/2014

VAR - 123782, 789101,987654 - PTO - D650

(11)

(12)

(13)

(14)

REF	FN	PART NUMBER	YR/SN	QTY	DESCRIPTION
1	1	86529340	(20)	1	SHAFT PTO, Incl 2 - 11
2	(15)	84014007		1	YOKE, Incl 4 -7 ← (7)
3	(16)	NSS		1	NOT SERVICED SEPARATELY, SHAFT, 350mm, Incl in 1
4		84004292		1	KIT, Seal Kit, Incl 6, 7 (17)
4		{84058743}		1	KIT, Seal Kit, Incl 6, 7
(2)	(18)	(19)	(21)	(22)	
		1 = FOR ITALY ONLY ← (5)			

MODELS ← (1)


- 1 Model Number and Model Description
- 2 Reference - Figure call-out of the part number.
- 3 Parts supplied in repair kits per symbol reference.
- 4 31.220.AD Part illustrated on the **Page** or in the **Figure** indicated, or calls for **Variations** or **Details**. Indicates components shown in detail elsewhere in the catalogue under the figure number shown.
- 5 Footnote references
- 6 Figure notes
- 7 1 2 Includes item(s) (See Description within partlist).
- 8 Orientation. (Arrow indicates front of the machine). 
- 9 Figure description.
- 10 General information of the figure.
- 11 Figure title number that aligns with the SRT. Standard Repair Time.
- 12 **Sequence** code within the assembly.
- 13 Page number within the sequence code.
- 14 **Date** of printing or updating of page (month-year).
- 15 **Note** - Relating to the Part Number. There is a key to symbols and abbreviations at the bottom of the text page.
- 16 Non-serviced parts.
- 17 Further description of the part to help confirm identification.
- 18 Not available as service part.
- 19 Part Number.
- 20 To be defined.
- 21 Total **Quantity** of the Part referred to in the page.
The quantity can be replaced by the following indications:
AR = quantity as requested.
- 22 Part **Description**.
- 23 Variant Codes

TABLE OF CONTENTS

00.000.10	01	PICTORIAL INDEX - ENGINE
00.000.10	02	PICTORIAL INDEX - ENGINE
00.000.18		PICTORIAL INDEX - CLUTCH
00.000.21	01	PICTORIAL INDEX - TRANSMISSION
00.000.21	02	PICTORIAL INDEX - TRANSMISSION
00.000.23		PICTORIAL INDEX - 4WD LINES
00.000.25		PICTORIAL INDEX - AXLE AND WHEELS
00.000.27		PICTORIAL INDEX - REAR DRIVE AXLE
00.000.31		PICTORIAL INDEX - LIVE PTO
00.000.33		PICTORIAL INDEX - BRAKES & CONTROLS
00.000.35		PICTORIAL INDEX - HYDRAULIC SYSTEMS
00.000.37		PICTORIAL INDEX - TOWING HOOK AND BALLASTING
00.000.39		PICTORIAL INDEX - FRAMES, BALLAST
00.000.41		PICTORIAL INDEX - STEERING
00.000.44		PICTORIAL INDEX - AXLE AND WHEELS
00.000.50		PICTORIAL INDEX - CAB CLIMATE CONTROL
00.000.55		PICTORIAL INDEX - ELECTRICAL SYSTEMS
00.000.88		PICTORIAL INDEX - ACCESSORIES
00.000.90	01	PICTORIAL INDEX - PLATFORM, CAB, BODYWORK AND DECALS
00.000.90	02	PICTORIAL INDEX - PLATFORM, CAB, BODYWORK AND DECALS
05.100.01	01	DEALER INITIAL STOCKING LIST "A" (ISL)
05.100.01	02	DEALER INITIAL STOCKING LIST B (ISL)
05.100.03		MAINTENANCE, FILTER
05.100.04		MAINTENANCE, BELT
10.000.00	01	PICTORIAL INDEX - ENGINE
10.000.00	02	PICTORIAL INDEX - ENGINE
10.001.AB	02	ENGINE BLOCK
10.001.AD	02	ENGINE
10.101.AA	02	CYLINDER HEAD
10.102.AP	02	OIL PAN
10.102.BB	02	CASING, ASSY
10.102.BB	03	CASING, ASSY
10.103.AA	03	CRANKSHAFT, CONNECTING ROD
10.103.AA	04	CRANKSHAFT, CONNECTING ROD
10.103.AD	02	DISTRIBUTION GEARS
10.103.AH	01	ENGINE FLYWHEEL

TABLE OF CONTENTS

10.103.AH	02	ENGINE FLYWHEEL, POWERSHUTTLE
10.105.AG	02	PISTON, ENGINE
10.106.AA	02	CAMSHAFT
10.110.AA		BALANCER
10.202.AB	01	DRY AIR CLEANER
10.202.AB	02	DRY AIR CLEANER W/DUST EJECTOR
10.202.AD	01	AIR CLEANER, PIPE
10.206.AG	01	FUEL FILTER
10.206.AG	02	FUEL FILTER
10.210.AO	02	FUEL PUMP
10.216.AI	01	FUEL TANK
10.216.AI	02	FUEL TANK, SUPPORT
10.216.AI	03	FUEL TANK, SUPPORT
10.216.AI	04	FUEL TANK, SUPPORT
10.216.AI	05	FUEL TANK, SUPPORT, POWERSHUTTLE
10.216.AI	06	FUEL TANK
10.216.AI	07	FUEL TANK, AUXILIARY
10.216.AI	08	FUEL TANK
10.216.AI	09	FUEL TANK, SUPPORT
10.216.AI	10	FUEL TANK, SUPPORT
10.216.BA		FUEL TANK, FUEL LINE
10.218.AI	03	FUEL INJECTOR, LINES
10.218.AQ	02	INJECTION PUMP - ASSY AND CONTROL
10.218.AQ	04	INJECTOR NOZZLE HOLDER, COMPONENTS
10.220.AA	01	THROTTLE CONTROL LINKAGE
10.220.AA	02	THROTTLE CONTROL LINKAGE
10.220.AA	03	THROTTLE CONTROL LINKAGE
10.220.AA	04	THROTTLE CONTROL LINKAGE
10.250.AD		TURBOCHARGER, PIPE
10.254.AC	02	EXHAUST MANIFOLD
10.254.AI	01	SILENCER
10.254.AI	02	VERTICAL MUFFLER SHIELD GUARD PROTECTION
10.254.AI	03	VERTICAL MUFFLER SHIELD GUARD PROTECTION
10.254.AI	04	MUFFLER, VERTICAL
10.254.AM	02	INLET MANIFOLD
10.304.AE	02	OIL PUMP & LINES, OIL FILTER

TABLE OF CONTENTS

10.304.AP	02	ENGINE BREATHER
10.304.AS	02	OIL DIPSTICK
10.400.AE	01	COOLING SYSTEM LINE
10.400.AE	02	COOLING SYSTEM LINE
10.400.BB	01	WATER PUMP
10.400.BB	02	WATER PUMP
10.400.BB	05	WATER PUMP LINE
10.400.BC	02	THERMOSTAT
10.400.BE		RADIATOR
10.408.AC	01	HEAT EXCHANGER
10.414.AC	01	RADIATOR, FAN
10.414.AC	02	RADIATOR, FAN, GUARD, SEALING ELEMENT
10.414.BC	02	PTO, ENGINE
18.000.00		PICTORIAL INDEX - CLUTCH
18.100.AB		CLUTCH
18.100.AF	01	LEVER, TIE-ROD
18.100.AF	02	LEVER, TIE-ROD
18.100.AJ	01	PTO CLUTCH
18.100.AJ	02	CLUTCH
18.100.AJ	03	LEVER, TIE-ROD
18.100.AR		LEVER, TIE-ROD
18.110.AB	01	CLUTCH
18.110.AB	02	CLUTCH
18.110.AB	03	CLUTCH
18.112.AC		PTO, DAMPER, POWERSHUTTLE
21.000.00	01	PICTORIAL INDEX - TRANSMISSION
21.000.00	02	PICTORIAL INDEX - TRANSMISSION
21.109.AC		OIL COOLER, PIPE, POWERSHUTTLE
21.109.AD		OIL COOLER LINE, POWERSHUTTLE
21.109.AK		OIL COOLER, POWERSHUTTLE
21.112.AC	01	SYNCHRONIZED CREEPER AND REVERSER UNIT
21.112.AC	02	TRANSMISSION HOUSING, POWERSHUTTLE
21.112.AC	03	TRANSMISSION HOUSING, HOSE, POWERSHUTTLE
21.118.AF	01	TRACTOR BODY
21.118.AF	02	TRACTOR BODY
21.118.AF	03	TRANSMISSION HOUSING, POWERSHUTTLE

TABLE OF CONTENTS

21.118.AG	01	TRACTOR BODY
21.118.AG	02	TRANSMISSION HOUSING, POWERSHUTTLE
21.130.AZ	01	TRANSMISSION EXTERNAL SHIFTING CONTROLS
21.130.AZ	02	DIFFERENTIAL LOCK, CONTROLS
21.130.AZ	03	DIFFERENTIAL LOCK, CONTROLS
21.130.BC	01	EXTERNAL CONTROL
21.130.BC	02	EXTERNAL CONTROL
21.130.BC	03	CENTRAL REDUCTION GEAR, CONTROLS
21.130.BC	04	CONTROL - 20X12
21.130.BC	05	CONTROL - 12X12
21.130.BC	06	CENTRAL REDUCTION GEAR, CONTROLS
21.133.AF		TRANSMISSION EXTERNAL SHIFTING CONTROLS, POWERSHUTTLE
21.134.AH		TRANSMISSION, CONTROL, PIPE, POWERSHUTTLE
21.134.AM	01	TRANSMISSION CONTROL VALVE, POWERSHUTTLE
21.134.AM	02	TRANSMISSION CONTROL VALVE, POWERSHUTTLE
21.134.AM	02	TRANSMISSION CONTROL VALVE, POWERSHUTTLE
21.140.AK	01	TRANSMISSION, GEAR
21.140.AK	02	TRANSMISSION, GEAR
21.140.AK	03	TRANSMISSION, GEAR
21.140.AK	04	TRANSMISSION, GEAR
21.140.AK	05	TRANSMISSION, GEAR
21.140.AK	06	TRANSMISSION, GEAR
21.140.AK	07	TRANSMISSION, GEAR
21.140.AQ		SYNCHRONIZED CREEPER AND REVERSER UNIT
21.140.AR		SYNCHRONIZED CREEPER AND REVERSER UNIT
21.148.AC	01	CENTRAL REDUCTION GEAR
21.148.AC	02	CENTRAL REDUCTION GEAR
21.148.AC	03	CENTRAL REDUCTION GEAR
21.148.AC	04	CENTRAL REDUCTION GEAR
21.148.AC	05	CENTRAL REDUCTION GEAR
21.148.AC	06	CENTRAL REDUCTION GEAR, POWERSHUTTLE
21.148.AC	07	CENTRAL REDUCTION GEAR, POWERSHUTTLE
21.148.AC	08	CENTRAL REDUCTION GEAR, POWERSHUTTLE
21.148.AK	01	TRANSMISSION INTERNAL SHIFTING CONTROLS
21.148.AK	02	CENTRAL REDUCTION GEAR, CONTROLS
21.148.AK	03	TRANSMISSION, ROD & FORKS, POWERSHUTTLE

TABLE OF CONTENTS

21.148.AK	04	CENTRAL REDUCTION GEAR, CONTROLS, POWERSHUTTLE
21.148.AK	05	CENTRAL REDUCTION GEAR, CONTROLS, POWERSHUTTLE
21.154.AA	01	CLUTCH HOUSING (HI-LO), POWERSHUTTLE
21.154.AA	02	CLUTCH HOUSING (HI-LO), POWERSHUTTLE
21.154.AA	03	TRANSMISSION, COVER, MANIFOLD (HI-LO), POWERSHUTTLE
21.154.AJ	01	SYNCHRONIZED CREEPER AND REVERSER UNIT
21.154.AJ	02	SYNCHRONIZED CREEPER AND REVERSER UNIT
21.154.AJ	03	SYNCHRONIZED CREEPER AND REVERSER UNIT
21.154.AJ	04	SYNCHRONIZED CREEPER AND REVERSER UNIT
21.154.AM		TRANSMISSION, COVER, POWERSHUTTLE
21.154.AO	01	TRANSMISSION, DRIVE SHAFT, POWERSHUTTLE
21.154.AO	02	TRANSMISSION, GEAR SHAFT, GEAR, POWERSHUTTLE
21.154.AO	03	TRANSMISSION, DRIVE SHAFT, GEAR, POWERSHUTTLE
21.154.AO	04	TRANSMISSION, GEAR SHAFT, GEAR, POWERSHUTTLE
21.154.AO	05	TRANSMISSION, GEAR SHAFT, GEAR, POWERSHUTTLE
21.160.AN	01	PADDY FIELD VERSION
21.160.AN	02	PADDY FIELD VERSION
21.160.AN	03	PADDY FIELD VERSION, POWERSHUTTLE
21.162.AB	01	SYNCHRONIZED CREEPER AND REVERSER UNIT
21.162.AB	02	SYNCHRONIZED CREEPER AND REVERSER UNIT
21.162.AD	01	REVERSER, CONTROLS
21.162.AD	02	REVERSER, CONTROLS
21.162.AD	03	SYNCHRONIZED CREEPER AND REVERSER UNIT
21.162.AE	01	SYNCHRONIZED CREEPER AND REVERSER UNIT
21.162.AE	02	SYNCHRONIZED CREEPER AND REVERSER UNIT
21.162.AF		REVERSER, GEARS & SHAFT, POWERSHUTTLE
21.162.AJ		TRANSMISSION, REVERSER, POWERSHUTTLE
23.000.00		PICTORIAL INDEX - 4WD LINES
23.202.AD	01	TRANSMISSION HOUSING, COVER, 4WD
23.202.AD	02	4WD, CASING, PLUGS, POWERSHUTTLE
23.202.AI	01	IDLER GEAR, 4WD
23.202.AI	02	IDLER GEAR, 4WD
23.314.AH	01	PROPELLER SHAFT - 4WD
23.314.AH	02	PROPELLER SHAFT - 4WD
23.314.AH	03	DRIVE SHAFT, SUPPORT, SHIELD, POWERSHUTTLE
25.000.00		PICTORIAL INDEX - AXLE AND WHEELS

TABLE OF CONTENTS

25.100.AA		FRONT AXLE, ASSY
25.100.AB	02	FRONT AXLE SUPPORT, ROD, 4WD
25.100.AB	03	FRONT AXLE SUPPORT, ROD, 4WD, POWERSHUTTLE
25.100.AD	02	CASING, FRONT AXLE, 4WD
25.100.AD	03	CASING, FRONT AXLE, 4WD, POWERSHUTTLE
25.100.AI		SUPPORT, 4WD
25.102.AC	01	FRONT AXLE, BEVEL GEAR, BEVEL PINION, 4WD
25.102.AC	02	FRONT AXLE, BEVEL GEAR, BEVEL PINION, 4WD
25.102.AC	05	FRONT AXLE, BEVEL GEAR, BEVEL PINION, 4WD
25.102.AC	06	4WD FRONT AXLE, BEVEL GEAR, POWERSHUTTLE
25.102.AC	07	4WD FRONT AXLE, SHIM KIT, POWERSHUTTLE
25.102.AC	08	4WD FRONT AXLE, SHIM KIT, POWERSHUTTLE
25.102.AE	01	4WD FRONT AXLE, DIFFERENTIAL
25.102.AE	02	4WD FRONT AXLE, DIFFERENTIAL, POWERSHUTTLE
25.108.AA	03	FRONT AXLE, DIFFERENTIAL GEAR, AXLE DIFFERENTIAL, 4WD
25.108.AA	04	FRONT AXLE, DIFFERENTIAL GEAR, AXLE DIFFERENTIAL, 4WD
25.108.AA	05	FRONT AXLE, DIFFERENTIAL GEAR, AXLE DIFFERENTIAL, 4WD, POWERSHUTTLE
25.108.AA	06	FRONT AXLE, DIFFERENTIAL GEAR, AXLE DIFFERENTIAL, 4WD, POWERSHUTTLE
25.108.AG	03	FRONT AXLE, STEERING KNUCKLE, HUB, 4WD
25.108.AG	04	FRONT AXLE, STEERING KNUCKLE, HUB, 4WD
25.108.AG	05	FRONT AXLE, STEERING KNUCKLE, HUB, 4WD, POWERSHUTTLE
25.108.AG	06	FRONT AXLE, STEERING KNUCKLE, HUB, 4WD, POWERSHUTTLE
25.400.AF		SUPPORT, 2WD
25.400.AM	01	FRONT AXLE, 2WD
25.400.AM	02	FRONT AXLE, 2WD
25.400.AM	03	FRONT AXLE, 2WD
25.400.AM	04	FRONT AXLE, 2WD
27.000.00		PICTORIAL INDEX - REAR DRIVE AXLE
27.106.AC	01	DIFFERENTIAL GEAR
27.106.AM	01	DIFFERENTIAL LOCK
27.106.AM	02	DIFFERENTIAL LOCK
27.106.AP	01	IDLER, CONTROL, 4WD
27.106.AP	02	VALVE, FLOW DIVIDER
27.106.AP	03	IDLER, CONTROL, 4WD
27.106.AP	04	IDLER, CONTROL, 4WD
27.106.AP	05	IDLER, CONTROLS

TABLE OF CONTENTS

27.106.AP	06	IDLER, CONTROL, 4WD
27.106.AP	07	DIFFERENTIAL LOCK, HYDRAULIC VALVE (HI-LO), POWERSHUTTLE
27.106.AR		CASING, COVER, SUPPORT
27.120.AF	01	CASING AND COVERS SIDE REDUCTION UNITS
27.120.AF	04	SIDE REDUCTION UNIT GEARING
27.120.AF	05	SIDE REDUCTION UNIT GEARING
27.120.AF	06	SIDE REDUCTION UNIT GEARING
27.120.AF	07	SIDE REDUCTION UNIT GEARING
27.120.AF	09	SIDE REDUCTION UNIT GEARING
27.120.AF	10	PADDY FIELD VERSION
31.000.00		PICTORIAL INDEX - LIVE PTO
31.101.AB	01	PTO, CONTROLS
31.101.AB	02	PTO, CONTROLS
31.101.AB	06	PTO 540/750/1000 RPM, CONTROL LEVER, POWERSHUTTLE
31.101.AB	07	PTO, CONTROLS, POWERSHUTTLE
31.101.AC	01	PTO, CONTROLS
31.101.AC	02	PTO, CONTROLS
31.101.AC	03	PTO, CONTROLS
31.101.AC	04	PTO 540/750 RPM
31.101.AC	05	PTO, CONTROLS
31.101.AC	06	PTO 540/750/1000 RPM, CONTROL LEVER, POWERSHUTTLE
31.101.AC	07	PTO 540/750/1000 RPM, POWERSHUTTLE
31.101.AC	08	PTO, CONTROLS
31.104.AW	01	PTO, PIPE
31.104.AW	02	PTO, PIPE, POWERSHUTTLE
31.110.AB	01	PTO 540/750 RPM
31.110.AB	02	PTO 540/750 RPM
31.110.AB	03	PTO 540/750 RPM
31.110.AB	04	PTO
31.110.AB	05	PTO
31.110.AB	06	PTO
31.110.AB	07	PTO
31.110.AB	08	PTO
31.110.AB	09	PTO
31.110.AB	10	PTO CLUTCH
31.110.AB	11	PTO CLUTCH

TABLE OF CONTENTS

31.110.AB	12	PTO, POWERSHUTTLE
31.110.AB	13	PTO, POWERSHUTTLE
31.110.AB	14	PTO, POWERSHUTTLE
31.110.AB	15	PTO CLUTCH, POWERSHUTTLE
31.110.AB	16	PTO CLUTCH, POWERSHUTTLE
31.110.AH		PTO 540/750/1000 RPM, FRONT AXLE, POWERSHUTTLE
31.110.AI		PTO
31.116.AB		PTO 540/540E/1000 RPM, DRIVEN SHAFT, POWERSHUTTLE
31.116.AF		PTO 540/540E/1000 RPM, OUTPUT SHAFT, POWERSHUTTLE
31.116.AG	01	PTO 540/540E/1000 RPM, CASING, SHROUD, POWERSHUTTLE
31.116.AG	02	PTO 540/540E/1000 RPM, CASING, POWERSHUTTLE
31.116.AK	01	PTO 540/540E/1000 RPM, DRIVEN GEAR, POWERSHUTTLE
31.116.AK	02	PTO 540/540E/1000 RPM, SHIFTER FORK, POWERSHUTTLE
31.116.AL		PTO 540/540E/1000 RPM, DRIVE GEAR SHAFT, POWERSHUTTLE
33.000.00		PICTORIAL INDEX - BRAKES & CONTROLS
33.110.AV		PARKING BRAKE, 4WD
33.110.BA		HAND CONTROL VALVE
33.110.BJ	01	BRAKE LINE
33.110.BJ	02	BRAKE LINE
33.202.AK	01	BRAKE SYSTEM
33.202.AK	02	PARKING BRAKE, 2WD
33.202.AK	03	PARKING BRAKE, 2WD
35.000.00		PICTORIAL INDEX - HYDRAULIC SYSTEMS
35.100.AP	01	HYDRAULIC PUMP
35.100.AP	03	HYDRAULIC PUMP
35.100.AP	04	HYDRAULIC PUMP
35.100.BI	02	CYLINDER, PISTONS
35.114.AA	01	DISTRIBUTOR, VALVE, ELEVATOR
35.114.AA	02	DISTRIBUTOR, VALVE, ELEVATOR
35.114.AA	03	DISTRIBUTOR, VALVE, ELEVATOR
35.114.AA	04	DISTRIBUTOR, VALVE, ELEVATOR
35.114.AA	05	DISTRIBUTOR, VALVE, ELEVATOR
35.204.BE	01	S/D ACTING VALVES PLUS ONE WITH AUTOMATIC RELEASE
35.204.BE	02	S/D ACTING VALVES PLUS ONE WITH AUTOMATIC RELEASE
35.204.BE	03	S/D ACTING VALVE WITH AUTOMATIC RELEASE
35.204.BE	04	S/D ACTING VALVE WITH AUTOMATIC RELEASE

TABLE OF CONTENTS

35.204.BE	05	S/D ACTING VALVE WITH AUTOMATIC RELEASE
35.204.BE	06	S/D ACTING VALVE WITH AUTOMATIC RELEASE
35.204.BE	07	S/D ACTING VALVES PLUS ONE WITH AUTOMATIC RELEASE
35.204.BL	01	S/D, 1M/FLOAT, 1 M/ FLOAT UND AUTOM. AUSKUP. STEUERG. - STEUERHEBEL - W/CAB
35.204.BL	02	CONTROL LEVER, W/ AUTOMATIC FLOAT, W/ CAB
35.220.AG	01	HYDRAULIC LIFT, LINE
35.220.AG	02	HYDRAULIC LIFT, LINE
35.220.AG	03	HYDRAULIC LIFT, LINE
35.220.AG	04	HYDRAULIC LIFT, LINE
35.220.AG	05	HYDRAULIC LIFT, LINE
35.304.BL	01	2 CONTROL VALVES - ROD
37.000.00		PICTORIAL INDEX - TOWING HOOK AND BALLASTING
37.100.AA		SWINGING DRAWBAR
37.108.AD	01	LIFTER OUTER CONTROLS
37.108.AD	02	S/D ACTING VALVES PLUS ONE WITH AUTOMATIC RELEASE
37.108.AD	03	S/D ACTING VALVE WITH AUTOMATIC RELEASE
37.108.AD	04	LIFTER, CONTROL, LEVER, FLEXIBLE CABLE
37.108.AE	01	HYDRAULIC LIFT OUTER CONTROLS - W/CAB
37.108.AE	02	LIFTER, CONTROL, HANDLE, LEVER, W/ CAB
37.108.AE	03	LIFTER, CONTROLS
37.108.AL		HYDRAULIC LIFT, CONTROLS
37.110.AC		LIFTER, HOUSING & COVER
37.110.AE		SHAFT AND IDLER UNIT
37.110.AM	01	HYDRAULIC LIFT, CONTROLS
37.110.AM	02	HYDRAULIC LIFT, CONTROLS
37.110.AM	03	HYDRAULIC LIFT, CONTROLS
37.110.AM	04	HYDRAULIC LIFT, CONTROLS
37.110.AM	05	HYDRAULIC LIFT, CONTROLS
37.120.AV	01	IMPLEMENT CARRIER
37.120.AV	02	IMPLEMENT CARRIER
37.120.AV	03	IMPLEMENT CARRIER
37.120.AV	04	IMPLEMENT CARRIER
37.120.AV	05	STRUT
39.000.00		PICTORIAL INDEX - FRAMES, BALLAST
39.140.AF		FRONT WEIGHT CARRIER, BALLAST
39.140.AM	01	BALLAST, REAR - 200KG

TABLE OF CONTENTS

39.140.AM	02	BALLAST, REAR - 300KG
41.000.00		PICTORIAL INDEX - STEERING
41.101.AA	01	STEERING WHEEL, HYDRAULIC STEERING
41.101.AA	02	STEERING WHEEL, HYDRAULIC STEERING
41.101.AA	03	STEERING WHEEL, HYDRAULIC STEERING
41.101.AU	01	BRAKE, PEDAL
41.101.AU	02	BRAKE, PEDAL
41.101.AU	03	BRAKE, PEDAL
41.101.AU	04	CLUTCH, PEDAL, POWERSHUTTLE
41.101.AU	05	BRAKE, PEDAL
41.101.AU	06	BRAKE, PEDAL
41.101.AU	07	CLUTCH, PEDAL
41.101.AU	08	CLUTCH, PEDAL, POWERSHUTTLE
41.101.AU	09	BRAKE, PEDAL
41.101.AU	10	HAND BRAKE
41.101.AU	11	HAND BRAKE
41.101.AU	12	BRAKE, PEDAL
41.200.CA	01	HYDRAULIC PUMP
41.200.CA	02	HYDRAULIC STEERING, 2WD, OGNIBENE
41.200.CA	03	HYDRAULIC STEERING, 2WD - SAUER-DANFOSS
41.200.CA	04	HYDRAULIC STEERING, 4WD - OGNIBENE
41.200.CA	05	HYDRAULIC STEERING, 4WD - SAUER-DANFOSS
41.206.AJ		HYDRAULIC STEERING, PUMP, LINE
41.216.AN		FRONT AXLE, HYDRAULIC STEERING, CYLINDER, 2WD
41.216.AU	03	FRONT AXLE, HYDRAULIC STEERING, CYLINDER, 4WD
41.216.AU	04	FRONT AXLE, HYDRAULIC STEERING, CYLINDER, 4WD
41.216.AV	01	PUMP, PIPE, HYDRAULIC STEERING
41.216.AV	02	PUMP, PIPE, HYDRAULIC STEERING
41.220.AA	01	ACCELERATOR CONTROL - LIFT CONTROL - W/CAB
41.220.AA	02	THROTTLE CONTROL LINKAGE
41.220.AA	03	THROTTLE CONTROL LINKAGE
44.000.00		PICTORIAL INDEX - AXLE AND WHEELS
44.511.AE	01	FRONT WHEELS - RIM 12.4 - R24 (4WD)
44.511.AE	02	FRONT WHEELS - RIM 13.6 - R24
44.511.AE	03	FRONT WHEELS - RIM 23.1 - R26
44.511.AE	04	FRONT WHEELS - 7.50-16 F2 8PR (2WD)

TABLE OF CONTENTS

44.511.AE	05	FRONT WHEELS - 7.50-18 F2 8PR (2WD)
44.520.AB	01	REAR WHEELS - RIM W14L-28
44.520.AB	02	REAR WHEELS - RIM DW16 - 30
44.520.AB	03	REAR WHEELS - RIM DW16 - 34
44.520.AB	04	REAR WHEELS - RIM DW12 - 38
50.000.00		PICTORIAL INDEX - CAB CLIMATE CONTROL
50.100.AH		CAB, HEATING SYSTEM
50.104.AC		CAB, BLOWER
50.104.AO		CAB, FILTER
50.200.AA		CONDITIONING UNIT
50.200.AK	01	CONDITIONING UNIT
50.200.AK	02	AIR CONDITIONER
50.200.AK	03	HEATER, AIR CONDITIONER
50.200.AK	04	AIR CONDITIONER
50.200.AK	05	AIR CONDITIONER
50.200.AK	06	CONDITIONING UNIT
50.200.BY	01	CONDITIONING UNIT
50.200.BY	02	CONDITIONING UNIT
50.200.BY	03	CONDITIONING UNIT
50.200.CG	01	AIR CONDITIONER, HOSE
50.200.CG	02	AIR CONDITIONER
50.200.CG	03	CAB, AIR CONDITIONER
50.200.CG	04	CAB, AIR CONDITIONER
50.200.CX	01	CAB, AIR CONDITIONER, CONTROL
50.200.CX	02	CAB, AIR CONDITIONER, CONTROL
55.000.00		PICTORIAL INDEX - ELECTRICAL SYSTEMS
55.015.AB	01	AUXILIARY CABLE
55.015.AB	02	AUXILIARY CABLE
55.015.AB	03	AUXILIARY CABLE
55.015.AB	04	AUXILIARY CABLE, POWERSHUTTLE
55.015.AB	05	AUXILIARY CABLE, POWERSHUTTLE
55.015.AB	06	AUXILIARY CABLE, POWERSHUTTLE
55.015.AB	07	AUXILIARY CABLE, POWERSHUTTLE
55.015.AB	08	AUXILIARY CABLE, POWERSHUTTLE
55.015.AB	09	AUXILIARY, CABLE, CAB
55.015.AB	10	AUXILIARY, CABLE, CAB, MECHANICAL

TABLE OF CONTENTS

55.015.AB	11	AUXILIARY, CABLE
55.015.AB	12	CABLE, AUXILIARY
55.015.AB	13	CABLE, MECHANICAL, W/ CAB
55.020.AB		GEARBOX, SENSOR, POWERSHUTTLE
55.024.AA		TRANSMISSION, WIRE HARNESS, POWERSHUTTLE
55.024.AE	01	ELECTRIC SYSTEM CONTROL, POWERSHUTTLE
55.024.AE	02	TRANSMISSION, WIRE HARNESS, POWERSHUTTLE
55.030.AB	01	ELECTRIC SYSTEM CONTROL
55.030.AB	02	ELECTRIC SYSTEM CONTROL, POWERSHUTTLE
55.030.AB	03	BRAKE, SWITCH
55.030.AB	04	BRAKE, SWITCH
55.100.DO		CAB, AUXILIARY CABLE
55.201.AE	03	STARTER MOTOR
55.202.AG		COLD START
55.301.AA	01	ALTERNATOR
55.301.AA	02	ALTERNATOR
55.302.AK		BATTERY, MOUNTING
55.302.AV		BATTERY - CABLES
55.404.AQ	01	HEADLAMP, HOOD
55.404.AQ	02	HEADLAMP, HOOD
55.404.BB		INDICATOR LIGHT, SUPPORT
55.404.BD		WORK LIGHT, SUPPORT
55.404.BM	01	LIGHT, COMPONENTS
55.404.BM	02	TURN SIGNAL INDICATOR, FRONT
55.404.BS	01	REAR SPOT LIGHT , MOUNTING
55.404.BS	02	REAR SPOT LIGHT , MOUNTING
55.408.AG		HORN
55.408.BG	01	REVERSING LAMP ASSY, REVERSE ALARM
55.408.BG	02	LIGHT, REVERSE ALARM
55.408.CA	01	ELECTRIC SYSTEM CONTROL
55.408.CA	02	ELECTRIC SYSTEM CONTROL, POWERSHUTTLE
55.408.CA	04	ELECTRIC SYSTEM CONTROL
55.408.CA	05	ELECTRIC SYSTEM CONTROL, POWERSHUTTLE
55.408.CB	01	ELECTRIC SYSTEM CONTROL
55.408.CB	02	ELECTRIC SYSTEM CONTROL
55.408.CB	03	ELECTRIC SYSTEM CONTROL

TABLE OF CONTENTS

55.408.CB	04	ELECTRIC SYSTEM CONTROL, POWERSHUTTLE
55.408.CB	05	ELECTRIC SYSTEM CONTROL
55.408.CB	06	ELECTRIC SYSTEM CONTROL, POWERSHUTTLE
55.408.CB	07	ELECTRIC SYSTEM CONTROL
55.510.AF	01	CAB, AUXILIARY CABLE
55.510.AF	02	CAB, AUXILIARY CABLE
55.510.BM	01	AUXILIARY POWER OUTLET
55.510.BM	02	POWER SOCKET
55.511.AF		HEADLAMP, HARNESS
55.514.AA	01	CAB, LIGHT, COMPONENTS
55.514.AA	02	CAB, LIGHT, COMPONENTS
55.518.AY	01	CAB, WINDSHIELD WASHER , FRONT
55.518.AY	02	CAB, WINDSHIELD WASHER , FRONT
55.518.AY	03	CAB, WINDSHIELD WASHER , FRONT
55.541.AE	01	DIFFERENTIAL LOCK, CONTROLS
55.541.AE	02	ELECTRICAL, COMPONENTS, MECHANICAL
55.541.AE	03	ELECTRICAL, COMPONENTS, POWERSHUTTLE
88.000.00		PICTORIAL INDEX - ACCESSORIES
88.100.01		DIA KIT
88.100.AG		MANUALS KIT
88.100.AH	01	TOOL BOX
88.100.AH	02	TOOL BOX
88.100.AH	03	TOOL BOX
90.000.00	01	PICTORIAL INDEX - PLATFORM, CAB, BODYWORK AND DECALS
90.000.00	02	PICTORIAL INDEX - PLATFORM, CAB, BODYWORK AND DECALS
90.100.AC		HOOD
90.100.AU	01	HOOD
90.100.AU	02	HOOD
90.100.AU	03	HOOD
90.100.AU	04	HOOD
90.100.AU	05	HOOD
90.102.AU		HOOD
90.102.AW		HOOD
90.105.CU		INSULATOR, W/ CAB
90.108.AC	01	DECALS
90.108.AC	02	DECALS

TABLE OF CONTENTS

90.108.AC	03	DECALS
90.108.AC	04	NAMEPLATE
90.108.AC	05	DECALS
90.110.AA		FENDER, FOOT BOARD
90.110.AH	01	TRIM, CONSOLE, FRONT
90.110.AH	02	INSTRUMENT PANEL, POWERSHUTTLE
90.110.AH	03	STEERING COLUMN
90.116.AC	01	MUDGUARD & FOOTBOARD
90.116.AC	02	MUDGUARD & FOOTBOARD
90.116.AC	03	GUARD, FOOT BOARD
90.116.AC	04	MUDGUARD, REAR
90.116.AC	05	SAFETY FRAME - HARD TOP
90.116.AC	06	FRONT LOADER, CANOPY
90.116.AC	07	SAFETY FRAME - FOPS
90.116.AC	08	LADDER
90.116.BA	01	FRONT FENDER
90.116.BA	02	DYNAMIC FRONT FENDER, SUPPORT
90.116.BA	03	FRONT FENDER, BASE PLATE
90.118.AL		MUDGUARD & FOOTBOARD, W/ CAB
90.118.BM	01	REAR VIEW MIRROR
90.118.BM	02	REAR VIEW MIRROR
90.118.BM	03	REAR VIEW MIRROR
90.118.BM	04	REAR VIEW MIRROR
90.120.AD	01	SEAT
90.120.AD	02	LEVER PROTECTION COVER - W/CAB
90.120.AD	03	LEVER PROTECTION COVER - W/CAB
90.120.AD	04	SEAT
90.124.AE	01	SEAT
90.124.AE	02	SEAT
90.124.AE	03	SEAT
90.124.AE	04	SEAT
90.124.AE	05	SEAT
90.124.AE	06	SEAT
90.150.AB		CAB, ASSY
90.150.AC	01	CAB FRAME
90.150.AC	02	CAB FRAME

TABLE OF CONTENTS

90.150.BB	01	CAB SUPPORT
90.150.BB	02	CAB SUPPORT
90.150.BB	03	CAB SUPPORT
90.150.BB	04	PTO, PLUG, CAB
90.150.BB	05	SUPPORT
90.150.BG	01	CAB ROOF
90.150.BG	02	CAB ROOF
90.150.BG	03	CAB ROOF
90.150.BG	04	CAB ROOF
90.150.BG	05	CAB ROOF
90.150.BG	06	CAB ROOF
90.151.AE		SUN VISOR
90.154.AA	01	CAB DOOR
90.154.AA	02	CAB DOOR
90.154.AA	03	CAB DOOR
90.154.AA	04	CAB DOOR
90.156.AB	01	CAB GLASS
90.156.AB	02	CAB GLASS
90.156.AL	01	CAB GLASS
90.156.AL	02	CAB GLASS
90.160.BL	01	CAB, CONTROL, COVER
90.160.BL	02	COVER, W/ CAB
90.160.CK	01	CAB, SOUNDPROOFING
90.160.CK	02	CAB, SOUNDPROOFING
90.160.CK	03	CAB, SOUNDPROOFING

**Thanks very much for your reading,
Want to get more information,
Please click here, Then get the complete
manual**

JustClickHere 

NOTE:

**If there is no response to click on the link above,
please download the PDF document first, and then
click on it.**

**Have any questions please write to me:
admin@servicemanualperfect.com**