

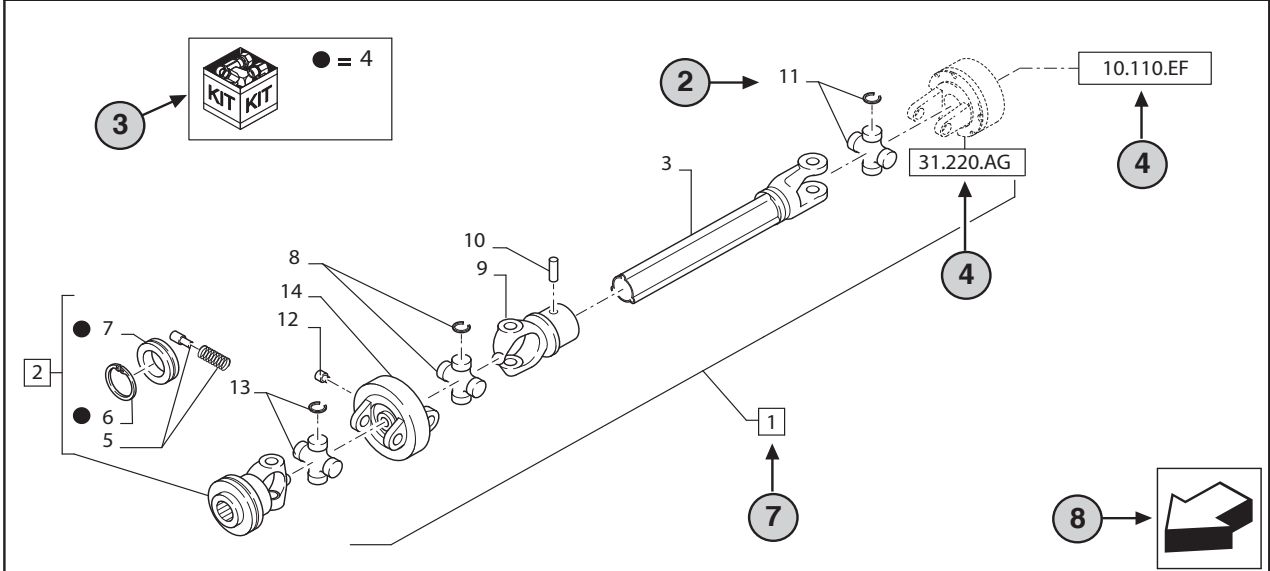
All rights reserved by **CNHi**.

The information contained in this catalogue is intended to be of a general nature only. **CNHi** may at any time and from time to time, for technical or other necessary reasons, modify any of the details or specifications of the product described in this catalogue.

To be sure of getting accurate, detailed and up-to-date information, an intending buyer should consult his nearest **CNHi** dealer or distributor.

Single item numeration method used in this catalogue may not be used without written consent from **CNHi**.

VAR - 123782, 789101,987654 - PTO - D650



STANDARD ← (6)

VAR - 123782, 789101,987654 - PTO - D650

(11) (12) (13) (14)

REF	FN	PART NUMBER	YR/SN	QTY	DESCRIPTION
1	1	86529340	(20)	1	SHAFT PTO, Incl 2 - 11
2	(15)	84014007		1	YOKE, Incl 4 -7 ← (7)
3	(16)	NSS		1	NOT SERVICED SEPARATELY, SHAFT, 350mm, Incl in 1
4		84004292		1	KIT, Seal Kit, Incl 6, 7 (17)
4		{84058743}		1	KIT, Seal Kit, Incl 6, 7
(2)	(18)	(19)	(21)	(22)	
		1 = FOR ITALY ONLY ← (5)			

MODELS ← (1)


- 1 Model Number and Model Description
- 2 Reference - Figure call-out of the part number.
- 3 Parts supplied in repair kits per symbol reference.
- 4 31.220.AD Part illustrated on the **Page** or in the **Figure** indicated, or calls for **Variations** or **Details**. Indicates components shown in detail elsewhere in the catalogue under the figure number shown.
- 5 Footnote references
- 6 Figure notes
- 7 1 2 Includes item(s) (See Description within partlist).
- 8 Orientation. (Arrow indicates front of the machine). 
- 9 Figure description.
- 10 General information of the figure.
- 11 Figure title number that aligns with the SRT. Standard Repair Time.
- 12 **Sequence** code within the assembly.
- 13 Page number within the sequence code.
- 14 **Date** of printing or updating of page (month-year).
- 15 **Note** - Relating to the Part Number. There is a key to symbols and abbreviations at the bottom of the text page.
- 16 Non-serviced parts.
- 17 Further description of the part to help confirm identification.
- 18 Not available as service part.
- 19 Part Number.
- 20 To be defined.
- 21 Total **Quantity** of the Part referred to in the page.
The quantity can be replaced by the following indications:
AR = quantity as requested.
- 22 Part **Description**.
- 23 Variant Codes

TABLE OF CONTENTS

05.100.03		FILTER & CAPACITIES, TC29D
05.100.03	01	FILTER & CAPACITIES, TC33D
06A01		CYLINDER BLOCK
06B01		CAMSHAFT
06C01		CYLINDER HEAD
06D01		CRANKSHAFT & PISTONS
06E01		TIMING GEAR CASE
06F01		OIL PUMP, WATER PUMP, ALTERNATOR
06G01		MUFFLER
06H01		ENGINE GASKET KIT
06H02		ENGINE GASKET KIT
09A01		FUEL TANK & RELATED PARTS
09B01		AIR CLEANER, USED ON & BSN 23102
09B01	A	AIR CLEANER, USED ON & ASN 23103
09C01		THROTTLE CONTROLS, HAND
09C02		THROTTLE CONTROLS - FOOT
09D01		INJECTION PUMP & LINES
09E01		INJECTION PUMP
09F01		FUEL INJECTOR ASSY.
07A02		CLUTCH & CLUTCH CASE, W/HST
07C02		FRONT TRANSMISSION CASE & SHIFTER, W/HST
07D02		GEARS, FRONT TRANSMISSION, W/HST
07E01		REAR TRANSMISSION CASE & SHIFTER
07F02		REAR TRANSMISSION GEARS, W/HST
07G01		AERATION PARTS
07H01		PTO GEARS
07I01		MID PTO KIT 9 X 3
07J01		HST ASSEMBLY
07J02		HST CONTROLS & CRUISE CONTROL
07K01		CONTROL LEVERS, TRANSMISSION RANGE, REAR PTO, MID PTO & FWD
07L01		STEP PLATE
07M01		PEDALS & BRAKE LOCK (HST & 9 X 3)
07N01		KITS, RIGHT SIDE & LEFT SIDE STEP
07P01		FLOOR MATS

TABLE OF CONTENTS

08A01	RADIATOR
04A01	BRAKE & WHEEL SHAFT CASE
04B01	DIFFERENTIAL & DIFFERENTIAL LOCK LINKAGE
02A01	PARKING BRAKE
11A01	ELECTRICAL SYSTEM - RIGHT HAND SIDE
11A02	ELECTRICAL SYSTEM - LEFT HAND SIDE
11A03	RELAY, DIODE & FUSE LOCATIONS
11A04	LIGHTS, DELUXE
11A07	SWITCHES, DASHBOARD
11B01	BATTERY
11C01	ALTERNATOR ASSY.
11D01	STARTING MOTOR
03A02	FRONT AXLE, W/FWD
03A03	FRONT AXLE, SUPER STEER OR WITH SENSITRACK
03B01	FRONT AXLE, DIFFERENTIAL & SENSITRACK CLUTCH, W/SUPER STEER
03C01	FRONT DIFFERENTIAL GEARS, W/FWD OR W/SUPER STEER
03D01	FINAL REDUCTION GEARS, W/FWD
03F01	STEERING COLUMN, TILT
03F01A	STEERING COLUMN, TILT - 86403100 & 87329101 USED ON & ABOVE SN G037307
03F03	POWER STEERING CONTROL BOX & PIPING
03G01	POWER STEERING CONTROL MOTOR
03H01	POWER STEERING PUMP
03I02	POWER STEERING CYLINDER ASSY., W/FWD
03I03	POWER STEERING CYLINDER ASSY., W/SUPER STEER
05A01	HYDRAULIC LIFT COVER & ARMS
05B01	LIFT COVER CYLINDER HEAD ASSY.
05D01	CONTROL VALVE, QUADRANT & LINKAGE L/DRAFT CONTROL
05E01	SINGLE SPOOL REAR, REMOTE CONTROL VALVE KIT, #1
05E02	SINGLE SPOOL REAR, REMOTE CONTROL VALVE KIT, #2
05F01	HYDRAULIC PUMP & PIPING
05F02	HYDRAULIC PIPING W/HST
05G01	HPL CONTROL VALVE - SBA340015140
05G02	HPL CONTROL VALVE - SBA340016350
05G03	HPL CONTROLS

TABLE OF CONTENTS

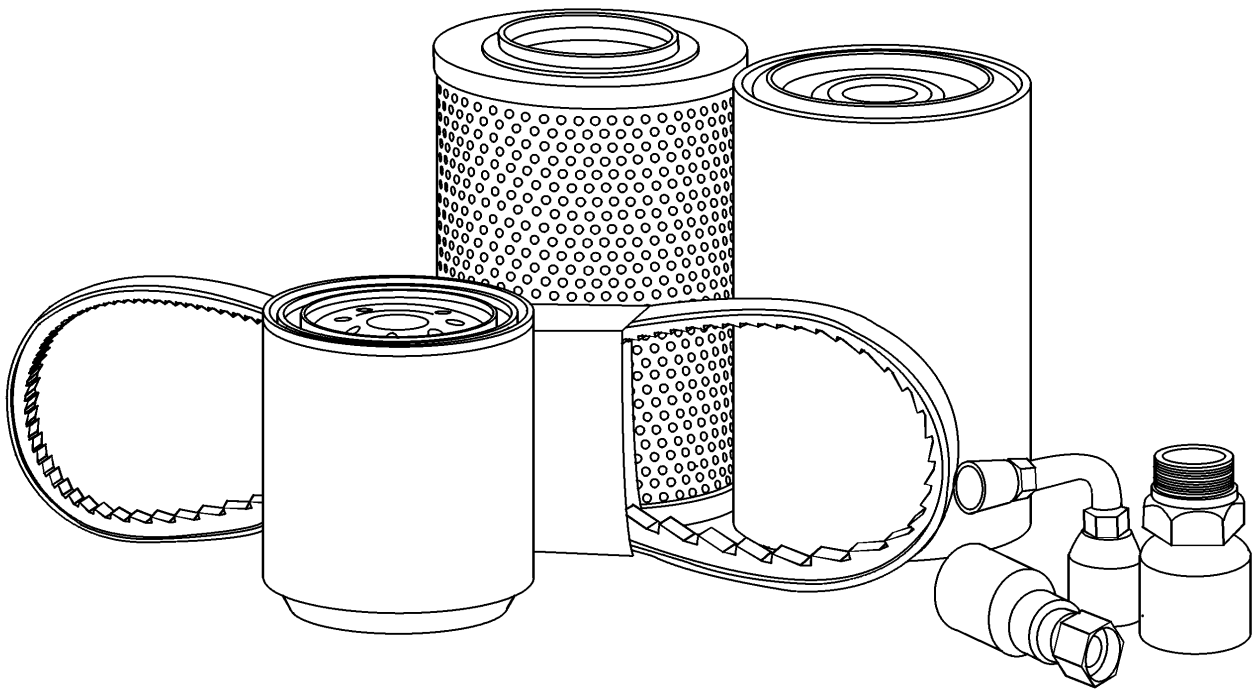
05H01		TWO-SPOOL REMOTE CONTROL VALVE & PIPING KIT, PRINCE VALVE #HC-V-AB10 & #HC-V-AE35
05H02		TWO-SPOOL REMOTE CONTROL VALVE ASSEMBLY, PRINCE VALVE #HC-V-AB10 & #HC-V-AE35
05J01		THREE-POINT HITCH ASSY., STD. & PTO SHIELD USED ON & BSN G021526
05J01	A	THREE-POINT HITCH ASSY., STD. & PTO SHIELD, USED ON & ASN G021527
05J02		DELUXE THREE-POINT HITCH - USED ON & BSN G021298 & BETWEEN SN G021452 & G023194
05J02	A	DELUXE THREE-POINT HITCH - BETWEEN SN G021299 & G021451 & ON & ASN G023195
05K02		DELUXE DRAWBAR ASSEMBLY
05L01		DRAWBAR KITS
05M01		MANIFOLD DIVERTER BLOCK - SBA340015500
05M01	A	MANIFOLD DIVERTER BLOCK - SBA340016660
10A01		HYDRAULIC PUMP ASSY. & POWER STEERING
14A01		FENDERS, L.H. & RELATED PARTS
14A02		FENDERS, R.H. & RELATED PARTS
14B01		HOOD AND RELATED PARTS
14C01		RIGID ROLL BAR & RELATED PARTS
14C02		FOLDABLE ROLL BAR & RELATED PARTS
14D01		WORKLIGHTS
14E01		ECONOMY TOOL BOX KIT & SMV
01A01		FRONT & REAR WHEELS
01A02		FRONT END WEIGHTS
01A03		REAR WHEEL WEIGHTS, 105 LBS., AG ONLY
01A04		REAR WHEEL WEIGHTS, 75 LBS., R4
12A01		INSTRUMENT PANEL
12B01		DASHBOARD AND REAR HOOD
16A01		DECALS, OPERATING
16A02		DECALS, IDENTIFICATION
16A03		DECALS, WARNING
16A04		KIT, FRENCH DECAL - 87573708
13A01		SEAT
13A02		SEAT, ON & ASN G014240
17A01		PAINT
17A02		ACCESSORIES
17A03		RECOMMENDED DEALER STOCKING LIST FOR EVERY 5 TRACTORS

SECTION INDEX

GENERAL

05.100.03		FILTER & CAPACITIES, TC29D
05.100.03	01	FILTER & CAPACITIES, TC33D

FILTER & CAPACITIES, TC29D



FILTER & CAPACITIES, TC29D

REF FN	PART NUMBER	YR/SN	QTY DESCRIPTION
*	CNH XHD COOLANT		ANTIFREEZE Coolant, 1.06-Gal (4.L)
1	84475542		1 ENGINE OIL FILTER
*	M-GOLD SAE15W40		OIL Engine Crankcase, W/Filter, 4.2-QT (4L)
2	87682998		1 AIR FILTER
3	87300180		1 AIR FILTER
4	87300043		1 HYDRAULIC OIL FILTER Spin On
5	SBA340501030		1 FILTER Hydrostat
*	MULTI G 134		OIL Hydraulic, Rear Axle & Transmission, HST, 8.8-Gal (33.3L)
6	SBA360720130		1 ELEMENT Fuel, Cartridge
*	MULTI G 134		OIL Front Axle, Hubs and Differential Each-FWD Only, Front Axle Hub, Each 0.85-QT (0.8L)
*	MULTI G 134		OIL Front Axle, Hubs and Differential Each-FWD Only, Differential Case, 1.5-QT (1.4L)
*	MULTI G 134		OIL Power Steering, 1.7-QT (1.6L)

TC29D-3 CYL COMPACT TRACTOR DELUXE

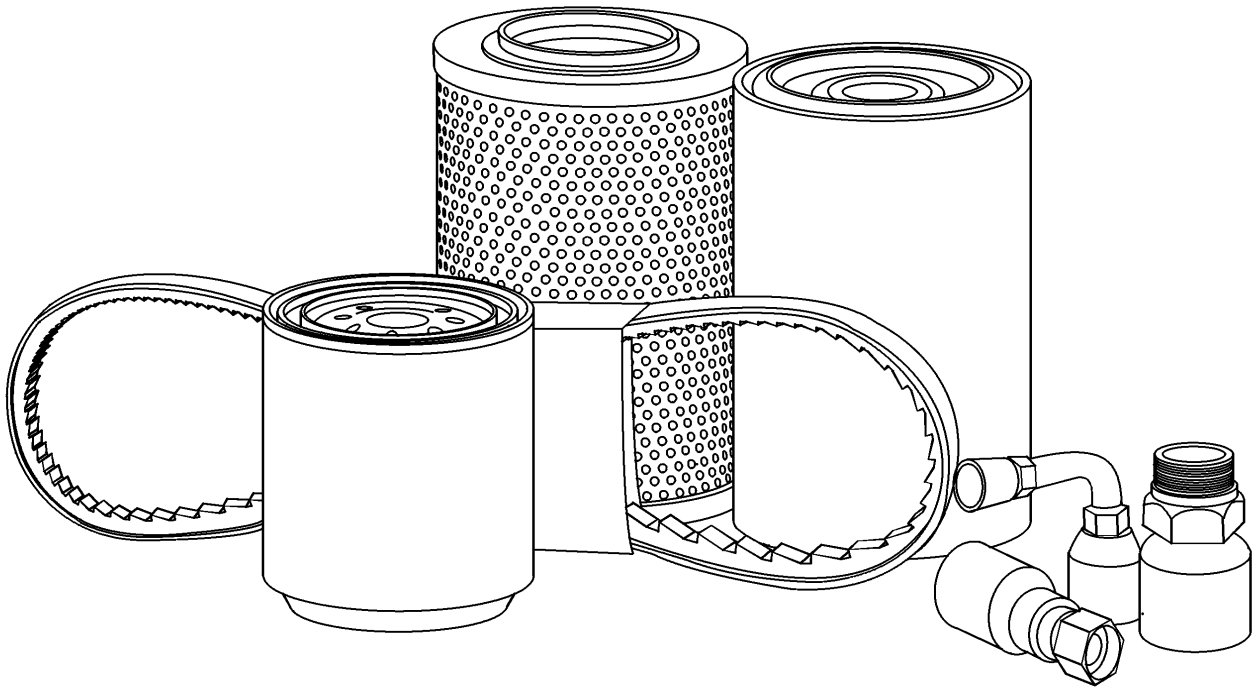
05.100.03

01

p1

8/2018

FILTER & CAPACITIES, TC33D



FILTER & CAPACITIES, TC33D

REF FN	PART NUMBER	YR/SN	QTY DESCRIPTION
*	CNH XHD COOLANT		ANTIFREEZE Coolant, 1.06-Gal (4.0L)
1	84475542		1 ENGINE OIL FILTER
*	M-GOLD SAE15W40		OIL Engine Crankcase, W/Filter, 4.2-QT (4L)
2	87682998		1 AIR FILTER
3	87300180		1 AIR FILTER
4	87300043		1 HYDRAULIC OIL FILTER Spin On
5	SBA340501030		1 FILTER Hydrostat
*	MULTI G 134		OIL Hydraulic, Rear Axle & Transmission, 8.8-Gal (33.3L)
6	SBA360720130		1 ELEMENT Fuel, Cartridge
*	MULTI G 134		OIL Front Axle, Hubs and Differential Each-FWD Only, Front Axle, Each Hub, 0.85-QT (0.8L)
*	MULTI G 134		OIL Front Axle, Hubs and Differential Each-FWD Only, Differential Case, 1.5-QT (1.4L)
*	MULTI G 134		OIL Power Steering, 1.7-QT (1.6L)

TC33D-3 CYL COMPACT TRACTOR DELUXE

SECTION INDEX

ENGINE

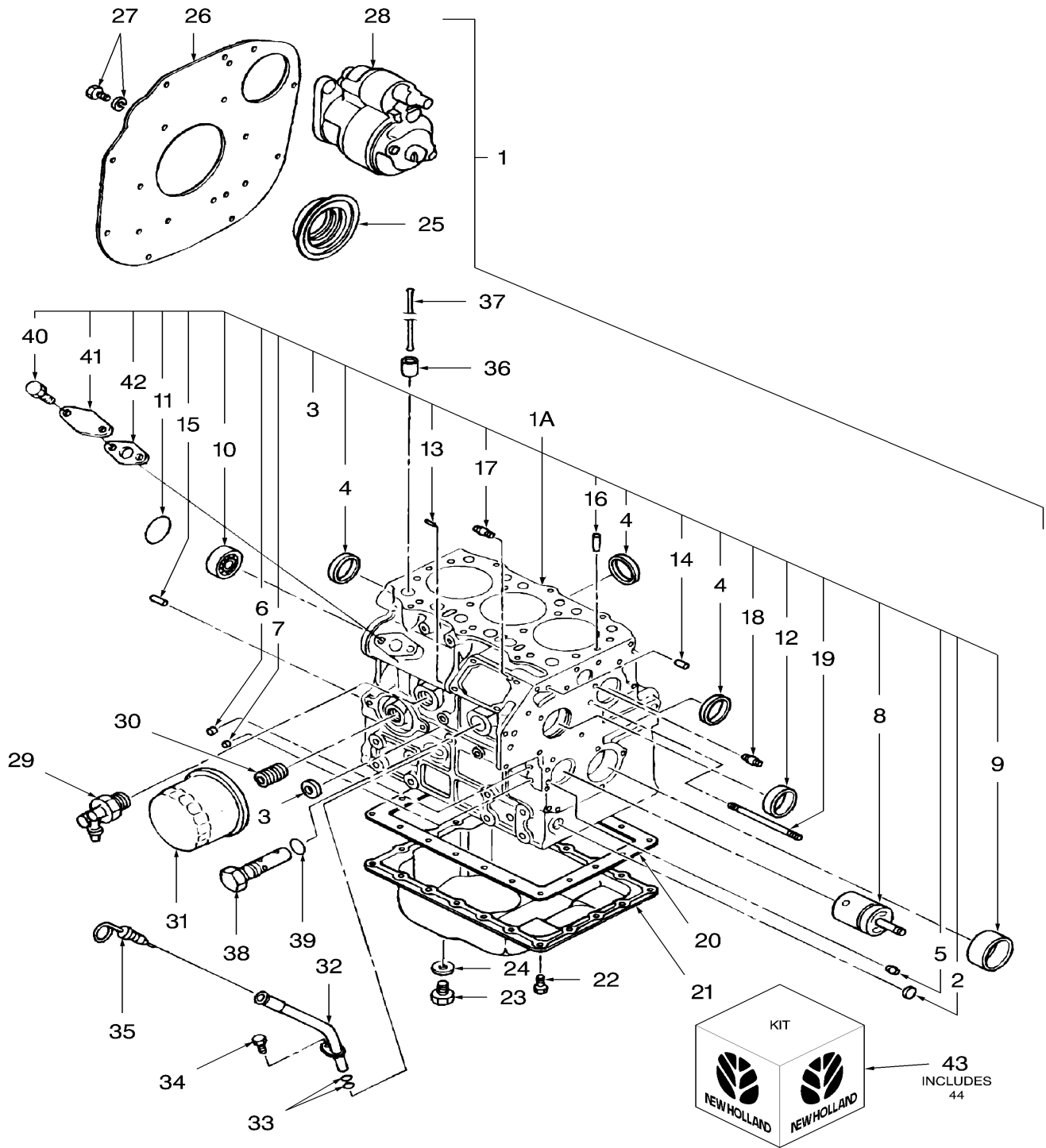
06A01	CYLINDER BLOCK
06B01	CAMSHAFT
06C01	CYLINDER HEAD
06D01	CRANKSHAFT & PISTONS
06E01	TIMING GEAR CASE
06F01	OIL PUMP, WATER PUMP, ALTERNATOR
06G01	MUFFLER
06H01	ENGINE GASKET KIT
06H02	ENGINE GASKET KIT

06A01

p1

8/2018

CYLINDER BLOCK



Complete engines are typically not available. Recommendation is to order the Long Block.

Removed Parts from complete engine for Long Block

Flywheel
Damper Disk
Starter

CYLINDER BLOCK

REF	FN	PART NUMBER	YR/SN	QTY DESCRIPTION
1	1	SBA110006890		1 SHORT ENGINE Block, Short, TC25, TC25D, TC29, TC29D
1		SBA110006890R		1 REMAN-SHORT ENGINE Block, Short, TC25, TC25D, TC29, TC29D
1		SBA110006890C		1 CORE-SHORT ENGINE Return Number
1	1	SBA110006900		1 SHORT ENGINE Block, Short, TC33, TC33D
1		SBA137941		1 BASIC ENGINE TC25, TC25D Includes: Ref. 1A thru 27, 29 thru 42
1		SBA137943		1 BASIC ENGINE TC29, TC29D Includes: Ref. 1A thru 27, 28 thru 42
1		SBA137943ER		1 REMAN-BASIC ENGINE TC29 (9/98), TC29D Deluxe (9/98), All 3 Cylinder
1		SBA137943EPAC		1 CORE-EPA ENGINE Return Number
1		SBA137943R		1 REMAN-REPLACEMENT EN TC29 (9/98), TC29D Deluxe (9/98), All 3 Cylinder
1		SBA137943C		1 CORE-REPLACEMENT ENG Return Number
1		SBA139141		1 ENGINE TC33, TC33D Includes: Ref. 1A thru 27, 29 thru 42
1		SBA139141ER		1 REMAN-REPLACEMENT EN TC33 Compact, TC33D Compact Deluxe, Both 3 Cylinder, Tier 1 (9/98)
1		SBA139141EPAC		1 CORE-EPA ENGINE Return Number
1		SBA139141R		1 REMAN-REPLACEMENT EN TC33 Compact, TC33D Compact Deluxe, Both 3 Cylinder, Tier 1 (9/98)
1		SBA139141C		1 CORE-REPLACEMENT ENG Return Number
1A		SBA110103081		1 SHORT ENGINE 3 Cylinders Block, Bare, TC25, TC25D, TC29, TC29D, Includes: Ref. 2 thru 19 & 40 thru 42
1A		SBA110103092		1 SHORT ENGINE Block, Bare, TC33, TC33D, Includes: Ref. 2 thru 19 & 40 thru 42

(1) Includes: Cylinder Block, Crankshaft Assy., Camshaft Assy., & Piston & Rod Assy.

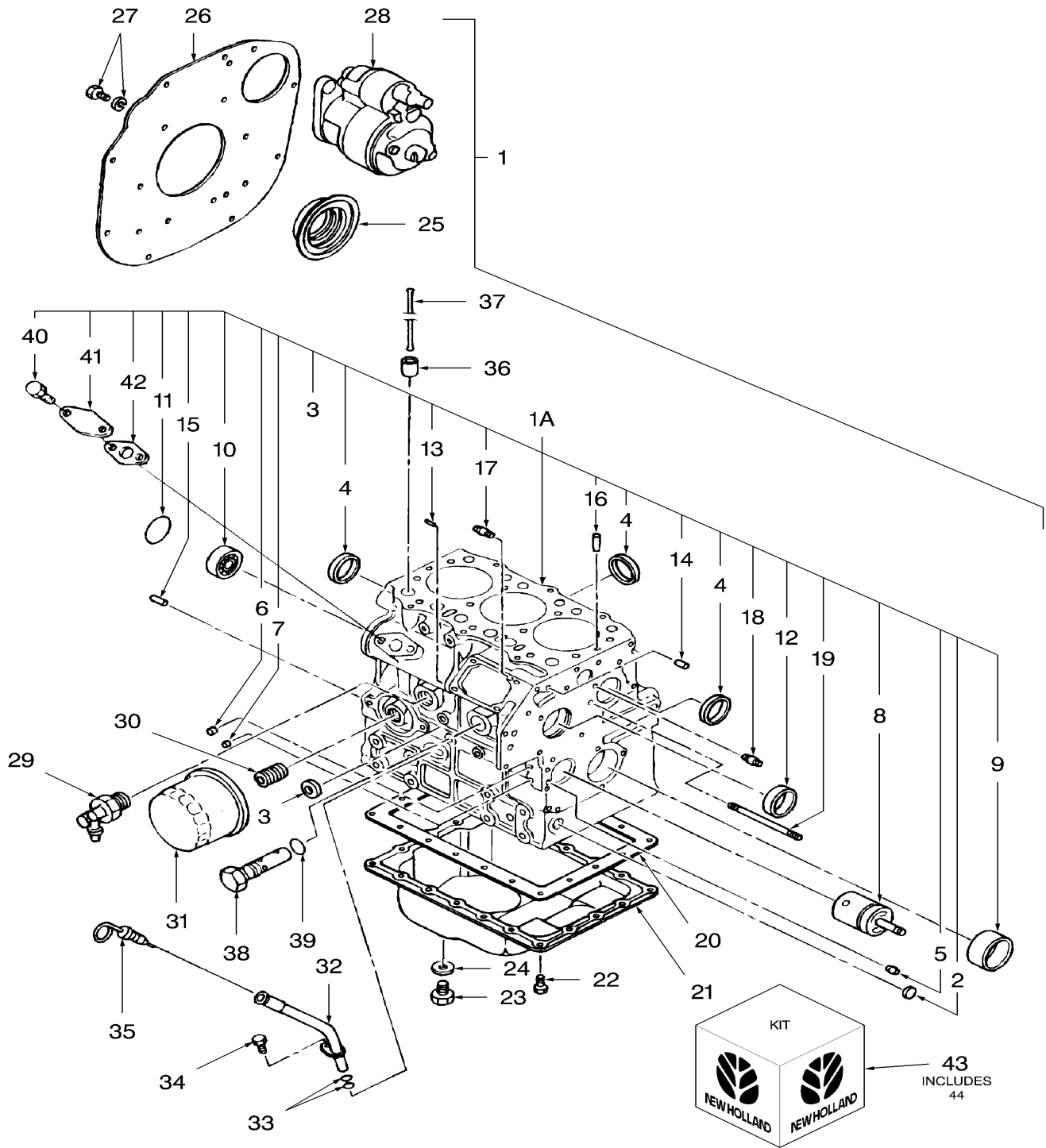
TC29D-3 CYL COMPACT TRACTOR DELUXE TC33D-3 CYL COMPACT TRACTOR DELUXE

06A01

p2

8/2018

CYLINDER BLOCK



Complete engines are typically not available. Recommendation is to order the Long Block.

Removed Parts from complete engine for Long Block

Flywheel
Damper Disk
Starter

CYLINDER BLOCK

REF FN	PART NUMBER	YR/SN	QTY DESCRIPTION
2	SBA064200015		1 PLUG Cap, 015 mm
3	SBA064200025		1 PLUG Cap, 025 mm
4	SBA064210040		4 CAP Cap, 40mm
5	SBA198466010		2 PLUG Plug, Blank, 8.4mm
6	SBA198466020		3 PLUG Plug, Blank 10.4mm
7	SBA198466030		3 PLUG Plug, Blank, 6.5 x 7mm
8	SBA165296131		1 SHAFT Idler Gear, Includes Shaft SBA140196072
9 1	SBA198517190		1 BUSHING Bushing, Standard, TC25,TC25D,TC29,TC29D
9 2	SBA198517194		1 BUSHING Bushing, U.S., .010" or 0.25mm, TC25,TC25D,TC29,TC29D
9 2	SBA198517197		1 DRIVE BUSHING Bushing, U.S., .010" or 0.50mm, TC25,TC25D,TC29,TC29D
9 1	SBA198517220		1 BUSHING Bushing, Standard, TC33,TC33D
9 2	SBA198517224		1 BUSHING Bushing, U.S., .010" or 0.25mm, TC33,TC33D
9 2	SBA198517227		1 BUSHING Bushing, U.S., .020" or 0.50mm, TC33,TC33D
10	SBA040106203		1 BALL BEARING 17mm ID x 40mm OD x 12mm W Bearing, Ball, #6203
11	SBA064100045		1 PLUG Plug, Expansion
12	SBA042309013		1 BEARING ASSY Bearing
13	SBA030500612		2 DOWEL DOWEL, Pin
14	SBA030500616		2 DOWEL M6 x 16 DOWEL, , Pin M6 x 16
15	SBA030501025		2 BALL STUD M10 x 25 L BALL PIN DOWEL, , Pin M10 x 25 L
16	SBA030309005		2 PIN Pin, Spring
17	SBA012110820		2 STUD STUD, Bolt
18	SBA012110635		1 STUD STUD
19	SBA012110660		1 STUD STUD, Bolt

(1) Included in Long Block

(2) Not Included in Long Block

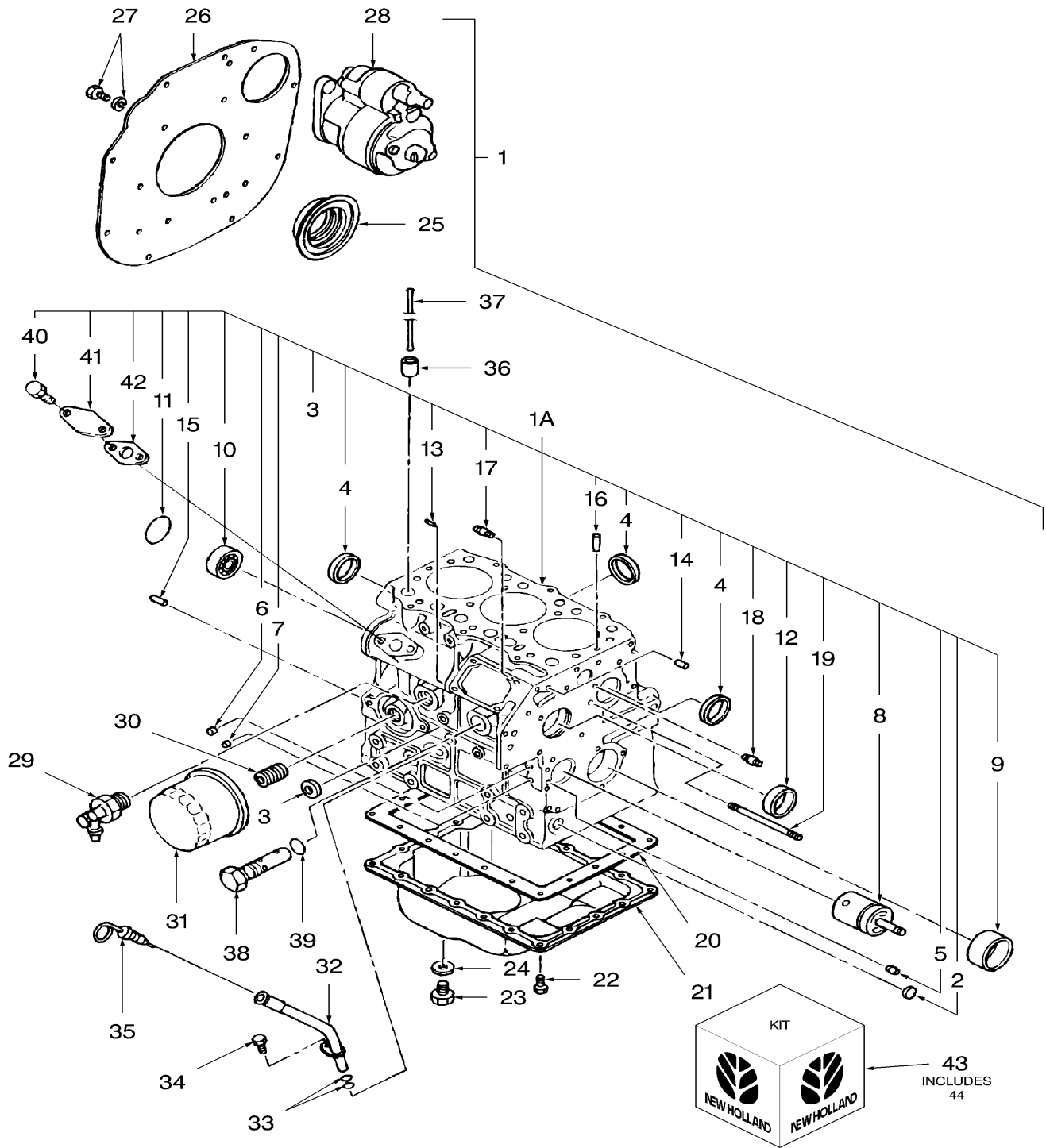
TC29D-3 CYL COMPACT TRACTOR DELUXE TC33D-3 CYL COMPACT TRACTOR DELUXE

06A01

p3

8/2018

CYLINDER BLOCK



Complete engines are typically not available. Recommendation is to order the Long Block.

Removed Parts from complete engine for Long Block

Flywheel
Damper Disk
Starter

**Thanks very much for your reading,
Want to get more information,
Please click here, Then get the complete
manual**

JustClickHere 

NOTE:

**If there is no response to click on the link above,
please download the PDF document first, and then
click on it.**

**Have any questions please write to me:
admin@servicemanualperfect.com**