

All rights reserved by **CNH Industrial**.

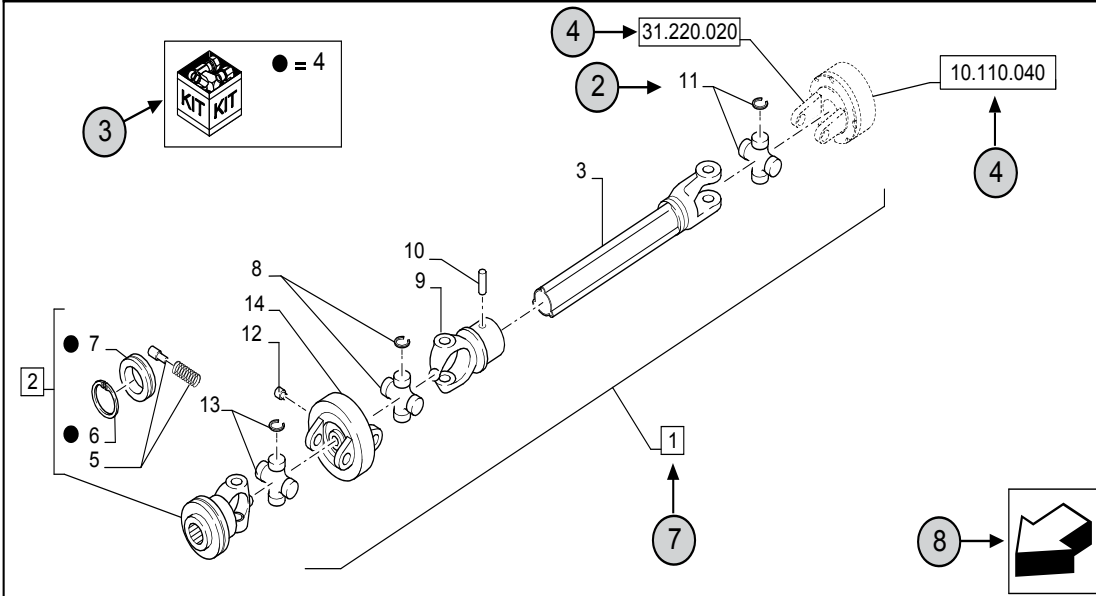
The information contained in this catalogue is intended to be of a general nature only. **CNH Industrial** may at any time and from time to time, for technical or other necessary reasons, modify any of the details or specifications of the product described in this catalogue.

To be sure of getting accurate, detailed and up-to-date information, an intending buyer should consult his nearest **CNH Industrial** dealer or distributor.

Single item numeration method used in this catalogue may not be used without written consent from **CNH Industrial**

31.220.010	01	p1	10/2014
------------	----	----	---------

VAR - 123782, 789101,987654 - PTO - D650



STANDARD ← (6)


(23)	(9)	(10)	31.220.010	01	p1	10/2014
------	-----	------	------------	----	----	---------

VAR - 123782, 789101,987654 - PTO - D650

(11) (12) (13) (14)

REF	FN	PART NUMBER	YR/SN	QTY	DESCRIPTION
1	1	86529340	(20)	1	SHAFT PTO, Incl 2 - 11
2	(15)	84014007		1	YOKE, Incl 4 - 7 ← (7)
3	(16)	NSS		1	NOT SERVICED SEPARATELY, SHAFT, 350mm, Incl in 1
4		84004292		1	KIT, Seal Kit, Incl 6, 7 (17)
4		{84058743}		1	KIT, Seal Kit, Incl 6, 7
(2)	(18)	(19)		(21)	(22)
		1 = FOR ITALY ONLY ← (5)			

MODELS ← (1)

- 1 Model Number and Model Description
- 2 Reference - Figure call-out of the part number.
- 3 Parts supplied in repair kits per symbol reference.
- 4 31.220.020 Part illustrated on the **Page** or in the **Figure** indicated, or calls for **Variations** or **Details**. Indicates components shown in detail elsewhere in the catalogue under the figure number shown.
- 5 Footnote references
- 6 Figure notes
- 7 1 2 Includes item(s) ..... (See Description within partlist).
- 8 Orientation. (Arrow indicates front of the machine). 
- 9 Figure description.
- 10 General information of the figure.
- 11 Figure title number that aligns with the SRT. Standard Repair Time.
- 12 **Sequence** code within the assembly.
- 13 Page number within the sequence code.
- 14 **Date** of printing or updating of page (month-year).
- 15 **Note** - Relating to the Part Number. There is a key to symbols and abbreviations at the bottom of the text page.
- 16 Non-serviced parts.
- 17 Further description of the part to help confirm identification.
- 18 Not available as service part.
- 19 Part Number.
- 20 To be defined.
- 21 Total **Quantity** of the Part referred to in the page.  
The quantity can be replaced by the following indications:  
**AR** = quantity as requested.
- 22 Part **Description**.
- 23 Variant Codes

---

## TABLE OF CONTENTS

---

00.000.00		PICTORIAL INDEX - MAIN SECTIONS
00.001.00	01	OPTIONAL EQUIPMENT
00.001.00	02	OPTIONAL EQUIPMENT
00.001.00	03	OPTIONAL EQUIPMENT
00.042.00		SERVICE PARTS CATALOGUE AND BINDER
D.I.A.		DEALER INSTALLED ACCESSORY KITS INDEX
05.000.00		PICTORIAL INDEX - MACHINE COMPLATION AND EQUIPMENT
05.100.01		INITIAL STOCKING LIST (LIST A)
05.100.03		CAPACITIES
05.100.04	01	MAINTENANCE PARTS - FILTERS
05.100.04	02	MAINTENANCE PARTS - STARTER MOTOR, ALTERNATOR, BELTS
05.100.04	03	MAINTENANCE PARTS - FUSES
05.100.04	04	MAINTENANCE PARTS - BULBS
05.100.04	05	MAINTENANCE PARTS - PUMPS
05.102.01		FIRE EXTINGUISHER PREDISPOSITION AND EMERGENCY EXIT HAMMER
10.000.00		PICTORIAL INDEX - ENGINE
10.103.02		FLYWHEEL
10.202.01		AIR CLEANER AND LINES
10.202.02		AIR CLEANER - BREAKDOWN
10.214.02	01	FUEL LINES
10.214.02	02	FUEL FILTER - BREAKDOWN
10.214.0201		BIO DIESEL FILTER
10.214.0202		ABS SYSTEM - FUEL LINE AND FILTER (VAR.743922)
10.214.0203	01	FUEL COOLER AND FUEL LINE - C7381 (VAR.743830-744725)
10.214.0203	01A	FUEL COOLER AND FUEL LINE - D7381 (VAR.743830-744725)
10.214.0203	02	FUEL LINE, FILTER (VAR.743830-744725)
10.214.0204	01	ABS SYSTEM - FUEL COOLER AND FUEL LINE - C7381 (VAR.744726)
10.214.0204	01A	ABS SYSTEM - FUEL COOLER AND FUEL LINE - D7381 (VAR.744726)
10.214.0204	02	ABS SYSTEM - FUEL LINE, FILTER (VAR.744726)
10.214.03		FUEL LINE
10.216.01	01	FUEL TANK AND RELATED PARTS
10.216.01	02	FUEL TANK AND RELATED PARTS - BREAKDOWN
10.216.01	03	ADBLUE™/DEF (DIESEL EXHAUST FLUID) TANK AND RELATED PARTS - BREAKDOWN
10.216.01	04	AUXILIARY TANK AND RELATED PARTS - BREAKDOWN
10.216.0101	01	ABS SYSTEM - FUEL TANKS AND PIPES (VAR.743922)
10.216.0101	02	ABS SYSTEM - FUEL TANK RELATED PARTS ( VAR.743922)

---

## TABLE OF CONTENTS

---

10.216.0101	03	ABS SYSTEM - FUEL TANK - BREAKDOWN (VAR.743922)
10.216.0101	04	ABS SYSTEM - MAIN FUEL TANK AND RELATED PARTS - BRAKDOWN (VAR.743922)
10.216.0101	05	ABS SYSTEM - ADBLUE™/DEF (DIESEL EXHAUST FLUID) TANK AND RELATED PARTS - BREAKDOWN (VAR.743922)
10.216.02	01	FUEL TANK SUPPORTS
10.216.02	02	LOWER GUARD
10.216.0201		FUEL TANK GUARDS (VAR.744455-744456/720131)
10.216.0202	01	ABS SYSTEM - MAIN AND AUX FUEL TANKS SUPPORT (VAR.743922)
10.216.0202	02	ABS SYSTEM - MAIN FUEL TANK SUPPORT (VAR.743922)
10.216.0203		ABS SYSTEM - FUEL TANK PROTECTION (VAR.744671-744672)
10.220.01		ACCELERATOR PEDAL
10.254.0301		EXHAUST SYSTEM
10.254.0302	01	EXHAUST BRAKE - EXHAUST SYSTEM (VAR.743040)
10.254.0302	02	EXHAUST BRAKE - EXHAUST SYSTEM (VAR.743040)
10.254.0304		EXHAUST SYSTEM – BLUE POWER VERSION (VAR. 743421)
10.254.0305	01	EXHAUST BRAKE, EXHAUST SYSTEM – BLUE POWER VERSION (VAR. 743421)
10.254.0305	02	EXHAUST BRAKE, EXHAUST SYSTEM – BLUE POWER VERSION (VAR. 743421)
10.254.0306	01	EXHAUST BRAKE, EXHAUST SYSTEM – BLUE POWER VERSION (VAR. 743421)
10.254.0306	02	EXHAUST BRAKE, EXHAUST SYSTEM – BLUE POWER VERSION (VAR. 743421)
10.254.0307		EXHAUST SYSTEM – BLUE POWER VERSION (VAR. 743421)
10.254.04	01	EXHAUST BRAKE - EXHAUST SYSTEM AND SUPPORT (VAR.743040)
10.254.04	02	EXHAUST BRAKE - EXHAUST SYSTEM AND SUPPORT (VAR.743040)
10.254.05		SPARK ARRESTOR
10.254.38	01	ENGINE BLOCK AND TRANSMISSION OIL HEATERS (120V) (VAR.728381) - C7114
10.254.38	01A	ENGINE BLOCK AND TRANSMISSION OIL HEATERS (120V) (VAR.728381) - D7339
10.254.3801	01	ENGINE BLOCK AND TRANSMISSION OIL HEATERS (240V) (VAR.743355-728382 / 743600) - C7114
10.254.3801	01A	ENGINE BLOCK AND TRANSMISSION OIL HEATERS (240V) (VAR.743355-728382 / 743600) - D7339
10.400.02		COOLING - RADIATOR HOSES
10.406.01	01	INTERCOOLER, TRANSM. OIL COOLER AND AIR CONDITIONING CONDENSER - BREAKDOWN - C7127
10.406.01	01A	INTERCOOLER, TRANSM. OIL COOLER AND AIR CONDITIONING CONDENSER - BREAKDOWN - D7127 - C7381
10.406.01	01B	INTERCOOLER, TRANSM. OIL COOLER AND AIR CONDITIONING CONDENSER - BREAKDOWN - D7381
10.406.01	02	RADIATOR, COOLING SYSTEM AND RELATED PARTS - C7127
10.406.01	02A	RADIATOR, COOLING SYSTEM AND RELATED PARTS - D7127
10.406.02		FRONT LINKAGE FOR ELECTRONIC REMOTES - RADIATOR DUCT AND SEALS (STD+VAR.728217+VAR.729087-729088-729089-729090-729091-729092-729093-729094-743092-743481-743482-743483-743484-743485-743486 / 743665-743666-743667-743765-743837-743838)
10.406.06		COOLING - EXPANSION TANK
10.408.02		INTERCOOLER AND CONDENSER - PIPES

---

## TABLE OF CONTENTS

---

10.414.02		FAN DRIVE
10.414.0202	01	REVERSIBLE FAN - BREAKDOWN (VAR.743041 / 743601)
10.414.0202	02	REVERSIBLE FAN - BREAKDOWN (VAR.743132 / 743601)
10.414.03		WATER PUMP DRIVE
10.500.01		DEF/ADBLUE TANK LINES AND ELECTRONIC CONTROL UNIT
18.000.00		PICTORIAL INDEX - CLUTCH
18.100.03	01	CLUTCH PEDAL - C7152
18.100.03	01A	CLUTCH PEDAL - D7152
18.110.01		DAMPER AND TRANSMISSION/PTO INPUT SHAFT
21.000.00	01	PICTORIAL INDEX - TRANSMISSION
21.000.00	02	PICTORIAL INDEX - TRANSMISSION
21.100.01	01	CLUTCH BOX ASSY - C7087
21.100.01	01A	CLUTCH BOX ASSY - D7087 - C7088
21.100.01	01B	CLUTCH BOX ASSY - D7088
21.100.01	02	CLUTCH BOX ASSY - GUARDS
21.100.01	03	SPACER
21.105.01	01	GEARBOX LUBRICATION - PIPES
21.109.01	01	TRANSMISSION OIL COOLER - PIPES AND SUPPORTS
21.109.02		HYDRAULIC GEARBOX CONTROL
21.109.0201		ABS SYSTEM - HYDRAULIC LINE - TRANSMISSION CONTROL (VAR.743922)
21.109.03		TRANSMISSION 19X6 FPS - GEAR CHANGE LUBRICATION PIPES (VAR.728147-729571)
21.113.00		SERVICE KIT, TRANSMISSION
21.118.01	01	CENTRAL HOUSING / TRANSMISSION BOX
21.118.01	02	CENTRAL HOUSING / TRANSMISSION BOX
21.118.01	03	CENTRAL HOUSING / TRANSMISSION BOX
21.118.02		OIL BREATHER ASSEMBLY
21.135.01	01	TRANSMISSION TOP COVER CONTROL VALVE
21.135.01	02	TRANSMISSION TOP COVER CONTROL VALVE RELATED PARTS
21.135.0101	01	TRANSMISSION 19X6 FPS - TOP COVER CONTROL VALVE (VAR.728147-729571)
21.135.0101	02	TRANSMISSION 19X6 FPS - TOP COVER CONTROL VALVE AND RELATED PARTS (VAR.728147-729571)
21.135.02		TRANSMISSION 19X6 FPS - SAFETY VALVE AND RELEVANT PARTS (VAR.728147-729571)
21.146.01		HYDRAULIC GEARBOX CONTROL
21.148.02		CENTRAL REDUCTION GEARS - BEVEL GEARS
21.148.0201		TRANSMISSION 19X6 FPS - BEVEL GEAR PAIR AND RELEVANT GEARS (VAR.728147-729571)
21.148.03		CENTRAL REDUCTION GEARS - REVERSE RANGE CLUTCH
21.155.01	01	CENTRAL REDUCTION GEARS - MEDIUM RANGE GEARS

---

## TABLE OF CONTENTS

---

21.155.01	02	CENTRAL REDUCTION GEARS - SHIMS
21.155.01	03	CENTRAL REDUCTION GEARS - SHIMS
21.155.01	04	CENTRAL REDUCTION GEARS - SHIMS
21.155.01	05	CENTRAL REDUCTION GEARS - FAST/SLOW RANGE CLUTCH
21.155.01	06	CENTRAL REDUCTION GEARS - FAST/SLOW RANGE CLUTCH
21.155.01	07	CENTRAL REDUCTION GEARS - SHIMS (STD + VAR.728147-729571)
21.155.01	08	CENTRAL REDUCTION GEARS - SHIMS (STD + VAR.728147-729571)
21.155.01	09	CENTRAL REDUCTION GEARS - SHIMS (STD + VAR.728147-729571)
21.155.01	10	CENTRAL REDUCTION GEARS - REVERSE RANGE CLUTCH AND GEARS
21.155.01	11	TRANSMISSION 19X6 FPS - CLUTCH DELIVERY MANIFOLD DRIVINGSHAFT (VAR.728147-729571)
21.155.01	12	TRANSMISSION 19X6 FPS - 19TH GEAR CLUTCH (VAR.728147-729571)
21.155.02	01	ENGAGEMENT CLUTCH CONTROL - SHAFT AND DISKS
21.155.02	02	ENGAGEMENT CLUTCH CONTROL - SPLINED HUB
21.155.02	03	ENGAGEMENT CLUTCH CONTROL - SHIMS
21.155.11	01	SPEED GEARS AND CLUTCHES - SUPPORT AND MANIFOLD
21.155.11	02	SPEED GEARS AND CLUTCHES - "A" CLUTCH AND GEARS
21.155.11	03	SPEED GEARS AND CLUTCHES - "B" CLUTCH
21.155.11	04	SPEED GEARS AND CLUTCHES - TOP DRIVING SHAFT AND GEARS
21.155.11	05	SPEED GEARS AND CLUTCHES - DRIVEN SHAFT AND "E" CLUTCH
21.155.11	06	SPEED GEARS AND CLUTCHES - "C" AND "D" CLUTCHES
21.155.11	07	SPEED GEARS AND CLUTCHES - GEARS
21.155.11	08	SPEED GEARS AND CLUTCHES - SHIMS
21.155.11	09	SPEED GEARS AND CLUTCHES - SHIMS
21.155.11	10	SPEED GEARS AND CLUTCHES - SHIMS
21.155.20		TRANSMISSION PTO INPUT SHAFT
21.155.21		TRANSMISSION 19X6 FPS - PTO SHAFT (VAR.728147-729571)
21.160.01	01	SUPP. GEAR REDUCTION UNIT - REDUCTION UNIT CONTROLS (VAR.720146)
21.160.01	02	SUPP. GEAR REDUCTION UNIT - GEARS (VAR.720146)
21.160.01	03	SUPP. GEAR REDUCTION UNIT - VALVE AND PIPES (VAR.720146)
21.182.01		DIFFERENTIAL LOCK
21.184.01		DIFFERENTIAL GEARS
23.000.00		PICTORIAL INDEX - 4WD LINES
23.101.01		4WD DRIVE SHAFT
23.101.0101	01	4WD FRONT AXLE WITH ACTIVE SUSPENSION - DRIVE SHAFT - C7091 (VAR.720463-728212)
23.101.0101	01A	4WD FRONT AXLE WITH ACTIVE SUSPENSION - DRIVE SHAFT - D7091 (VAR.720463-743963-743964)
23.101.0102		CL.4 4WD SUPERSTEER FRONT AXLE - PROPELLER SHAFT (VAR.728217)

---

**TABLE OF CONTENTS**

---

25.000.00	01	PICTORIAL INDEX - FRONT MECHANICAL DRIVE
25.000.00	02	PICTORIAL INDEX - FRONT MECHANICAL DRIVE
25.100.00		FRONT AXLE
25.100.01	01	FRONT AXLE SUPPORT
25.100.01	02	FRONT AXLE TRUNNIONS
25.100.0101		CLASS 4 4WD FRONT AXLE WITH ACTIVE SUSPENSION SKY HOOK - SUPPORT (VAR.720463-728212)
25.100.0102		CLASS 4 4WD FRONT AXLE SUPERSTEER - SUPPORT (VAR.728217)
25.100.0103		ABS SYSTEM - CLASS 4 4WD FRONT AXLE WITH ACTIVE SUSPENSION SKY HOOK - SUPPORT (VAR.743963-743964)
25.100.02	01	4WD FRONT AXLE WITH ACTIVE SUSPENSIONS SKY HOOK - ARM AND SHAFT - BREAKDOWN - C7091 (VAR.720463-728212)
25.100.02	01A	4WD FRONT AXLE WITH ACTIVE SUSPENSIONS SKY HOOK - ARM AND SHAFT - BREAKDOWN - D7091 (VAR.720463-743963-743964)
25.100.02	02	CLASS 4 4WD FRONT AXLE WITH ACTIVE SUSPENSION SKY HOOK - SUPPORT - C7091 (VAR.720463-728212)
25.100.02	02A	CLASS 4 4WD FRONT AXLE WITH ACTIVE SUSPENSION SKY HOOK - SUPPORT - D7091 (VAR.720463-743963-743964)
25.100.02	03	CLASS 4 4WD AXLE WITH ACTIVE SUSPENSION SKY HOOK - CYLINDER, ACCUMULATOR AND PIPES - C7091 (VAR.720463-728212)
25.100.02	03A	CLASS 4 4WD AXLE WITH ACTIVE SUSPENSION SKY HOOK - CYLINDER, ACCUMULATOR AND PIPES - D7091 (VAR.720463-743963-743964)
25.100.02	04	CLASS 4 4WD AXLE WITH ACTIVE SUSPENSION SKY HOOK - CYLINDER AND VALVE - BREAKDOWN - C7091 (VAR.720463-728212)
25.100.02	04A	CLASS 4 4WD AXLE WITH ACTIVE SUSPENSION SKY HOOK - CYLINDER AND VALVE - BREAKDOWN - D7091 (VAR.720463-743963-743964)
25.100.02	05	CLASS 4 4WD AXLE WITH ACTIVE SUSPENSION SKY HOOK - VALVE - C7091 (VAR.720463-728212)
25.100.02	05A	CLASS 4 4WD AXLE WITH ACTIVE SUSPENSION SKY HOOK - VALVE - D7091 (VAR.720463-743963-743964)
25.100.02	06	CLASS 4 4WD AXLE WITH ACTIVE SUSPENSION SKY HOOK - CYLINDER - BREAKDOWN - C7091 (VAR.720463-728212)
25.100.02	06A	CLASS 4 4WD AXLE WITH ACTIVE SUSPENSION SKY HOOK - CYLINDER - BREAKDOWN - D7091 (VAR.720463-743963-743964)
25.100.03		ENGINE SIDE RAILS - SIDE RAILS (VAR.728704)
25.100.0301		ENGINE SIDE FRAMES - LOADER READY (VAR.743817)
25.100.08	01	4WD FRONT AXLE HOUSING (VAR.728195)
25.100.08	02	FRONT AXLE - DIFFERENTIAL SUPPORT (VAR.728195)
25.100.0801	01	4WD FRONT AXLE WITH ACTIVE SUSPENSIONS - AXLE HOUSING - C7091 (VAR.720463-743963-743964)
25.100.0801	01A	4WD FRONT AXLE WITH ACTIVE SUSPENSIONS - AXLE HOUSING - D7091 (VAR.720463-743963-743964)
25.100.0801	02	4WD FRONT AXLE WITH ACTIVE SUSPENSIONS - DIFFERENTIAL SUPPORT (VAR.728212-720463)
25.100.0802	01	SUPERSTEER 4WD FRONT AXLE - AXLE HOUSING (VAR.728217)
25.100.0802	02	SUPERSTEER 4WD FRONT AXLE - DIFFERENTIAL SUPPORT (VAR.728217)
25.100.0802	03	SUPERSTEER 4WD FRONT AXLE - SUPPORT (VAR.728217)
25.100.0802	04	SUPERSTEER 4WD FRONT AXLE - SHIMS (VAR.728217)
25.100.0803	01	ABS SYSTEM - 4WD FRONT AXLE WITH SUSPENSION AND BRAKES (VAR.743964)
25.100.0803	02	ABS SYSTEM - 4WD FRONT AXLE WITH SUSPENSION AND BRAKES - DIFFERENTIAL SUPPORT (VAR.743964)



---

TABLE OF CONTENTS

---

25.100.0804	01	4WD FRONT AXLE, HOUSING
25.100.0804	02	FRONT AXLE - DIFFERENTIAL SUPPORT
25.102.01	01	FRONT AXLE - BEVEL GEAR PAIR (VAR.728195)
25.102.01	02	FRONT AXLE - SHIMS (VAR.728195)
25.102.01	03	FRONT AXLE - SHIMS (VAR.728195)
25.102.0101	01	4WD FRONT AXLE WITH ACTIVE SUSPENSIONS - BEVEL GEAR PAIR (VAR.720463-728212)
25.102.0101	02	4WD FRONT AXLE WITH ACTIVE SUSPENSIONS - SHIMS (VAR.720463-728212)
25.102.0101	03	4WD FRONT AXLE WITH ACTIVE SUSPENSIONS - SHIMS (VAR.720463-728212)
25.102.0102	01	SUPERSTEER 4WD FRONT AXLE - BEVEL GEAR (VAR.728217)
25.102.0102	02	SUPERSTEER 4WD FRONT AXLE - SHIMS (VAR.728217)
25.102.0102	03	SUPERSTEER 4WD FRONT AXLE - SHIMS (VAR.728217)
25.102.0103	01	ABS SYSTEM - 4WD FRONT AXLE WITH SUSPENSION AND BRAKES - FLANGE, BEARING, AND SHIMS (VAR.743963-743964)
25.102.0103	02	ABS SYSTEM - 4WD FRONT AXLE WITH SUSPENSION AND BRAKES - SHIMS (VAR.743963-743964)
25.102.0103	03	ABS SYSTEM - 4WD FRONT AXLE WITH SUSPENSION AND BRAKES - SHIMS (VAR.743963-743964)
25.102.0104	01	FRONT AXLE - BEVEL GEAR PAIR - C7130
25.102.0104	01A	FRONT AXLE - BEVEL GEAR PAIR - D7130
25.102.0104	02	FRONT AXLE - SHIMS
25.102.0104	03	FRONT AXLE - SHIMS
25.102.03	01	FRONT AXLE - DIFFERENTIAL LOCKING (VAR.728195)
25.102.03	02	FRONT AXLE - HYDRAULIC DIFFERENTIAL LOCK (VAR.728195)
25.102.0301	01	4WD FRONT AXLE WITH ACTIVE SUSPENSIONS - DIFFERENTIAL LOCKING (VAR.720463-728212)
25.102.0301	02	4WD FRONT AXLE WITH ACTIVE SUSPENSIONS - HYDRAULIC DIFFERENTIAL LOCK (VAR.720463-728212)
25.102.0302	01	SUPERSTEER 4WD FRONT AXLE - DIFFERENTIAL (VAR.728217)
25.102.0302	02	SUPERSTEER 4WD FRONT AXLE - HYDRAULIC DIFFERENTIAL LOCK (VAR.728217)
25.102.0303		ABS SYSTEM - 4WD FRONT AXLE WITH SUSPENSION AND BRAKES - DIFFERENTIAL (VAR.743963-743964)
25.102.0304		ABS SYSTEM - 4WD FRONT AXLE WITH SUSPENSION AND BRAKES - HYDRAULIC DIFFERENTIAL LOCK (VAR.743963-743964)
25.102.0305	01	FRONT AXLE - DIFFERENTIAL LOCKING - C7130
25.102.0305	01A	FRONT AXLE - DIFFERENTIAL LOCKING - D7130
25.102.0305	02	FRONT AXLE - HYDRAULIC DIFFERENTIAL LOCK
25.108.01		WHEEL HUB AND STEERING KNUCKLE (VAR.720463)
25.108.0101	01	FRONT AXLE WITH BRAKES - STEERING KNUCKLES AND HUBS - C7091 (VAR.728195-728212)
25.108.0101	01A	FRONT AXLE WITH BRAKES - STEERING KNUCKLES AND HUBS - D7091 (VAR.728195-743963)
25.108.0102		SUPERSTEER 4WD FRONT AXLE - WHEEL HUB AND STEERING KNUCKLE (VAR.728217)
25.108.0103		ABS SYSTEM - 4WD FRONT AXLE WITH SUSPENSION AND BRAKES - STEERING KNUCKLES AND HUBS (VAR.743964)
25.108.0104		WHEEL HUB AND STEERING KNUCKLE

---

## TABLE OF CONTENTS

---

25.108.03	01	FRONT AXLE - AXLE SHAFT ARTICULATED (VAR.720463-728217)
25.108.03	02	FRONT AXLE - AXLE-SHAFT ARTICULATED - BREAKDOWN (VAR.720463-728217)
25.108.0301	01	4WD FRONT AXLE WITH BRAKE - AXLE SHAFT ARTICULATED (VAR.728195-728212)
25.108.0301	02	4WD FRONT AXLE WITH BRAKE - AXLE SHAFT ARTICULATED - BREAKDOWN
25.108.0302	01	ABS SYSTEM - 4WD FRONT AXLE WITH SUSPENSION AND BRAKES - AXLE SHAFT ARTICULATED (VAR.743964)
25.108.0302	02	ABS SYSTEM - 4WD FRONT AXLE WITH SUSPENSION AND BRAKES - AXLE SHAFT ARTICULATED (VAR.743964)
25.108.0303	01	FRONT AXLE - AXLE SHAFT ARTICULATED
25.108.0303	02	FRONT AXLE - AXLE-SHAFT ARTICULATED - BREAKDOWN
25.108.04		FRONT AXLE - EPICYCLICAL FINAL DRIVE (VAR.728195-720463-728217)
25.108.0403		4WD FRONT AXLE WITH ACTIVE SUSPENSION AND BRAKES - EPICYCLICAL FINAL DRIVE (VAR.728212)
25.108.0404		ABS SYSTEM - 4WD FRONT AXLE WITH SUSPENSION AND BRAKES - EPICYCLICAL FINAL DRIVE (VAR.743964)
25.108.0406	01	FRONT AXLE - EPICYCLICAL FINAL DRIVE
27.000.00		PICTORIAL INDEX - REAR DRIVE AXLE
27.100.02		TRANSMISSION, COVERS AND SUPPORTS
27.120.01		SIDE REDUCTION UNIT HOUSING AND COVERS
27.120.0101		ABS SYSTEM - SIDE REDUCTION UNIT HOUSING (VAR. 743922)
27.120.0201		FINAL DRIVE, GEARS AND SHAFTS
27.120.0301		BAR AXLE 119" - GEARS AND SHAFT (VAR.728181-729181 / 743605)
27.120.0302		BAR AXLE 98" AND 112" - GEARS AND SHAFT (VAR.728437-720437 / 743603; VAR.720431-728431 / 743604)
27.120.0304		EXTERNAL HUB DUAL STEEL WHEELS ON 112" AND 119" BAR AXLES - EXTERNAL HUB (VAR.720438)
27.120.0306		ABS SYSTEM - FINAL DRIVE - GEARS AND SHAFTS (VAR. 744430)
27.120.0308		ABS SYSTEM - BAR AXLE 98" - GEARS AND SHAFT (VAR. 744431-744432)
27.120.0310		ABS SYSTEM - BAR AXLE 112" - GEARS AND SHAFT (VAR. 744433-744434)
27.120.0312		ABS SYSTEM - BAR AXLE 119" - GEARS AND SHAFT (VAR. 744435-744436)
31.000.00		PICTORIAL INDEX - IMPLEMENT POWER TAKE-OFF
31.101.01		SHIFTABLE PTO, CONTROLS
31.104.01	01	SHIFTABLE PTO, CONTROLS
31.104.01	02	SHIFTABLE PTO, CONTROLS, ACTUATOR - COMPONENTS (VAR.743356 / 743612)
31.104.0101	01	4 SPEED SHIFTABLE PTO - ELECTRIC CONTROL (VAR.743349 / 743611; VAR.743374) - C7503
31.104.0101	01A	4 SPEED SHIFTABLE PTO - ELECTRIC CONTROL (VAR.743349 / 743611; VAR.743374) - D7503
31.104.02	01	PTO, CLUTCH - VALVE AND FITTING
31.104.02	02	PTO, CLUTCH - VALVE - BREAKDOWN
31.104.0201	01	CREEPER FOR TRANSMISSION WITH ELECTRIC ENGAGEMENT - VALVE AND FITTING (VAR.720146)
31.104.0201	02	CREEPER FOR TRANSMISSION WITH ELECTRIC ENGAGEMENT - VALVE - BREAKDOWN (VAR.720146)
31.114.01	01	POWER TAKE-OFF 540E/1000 RPM - SHAFT AND GEARS

---

## TABLE OF CONTENTS

---

31.114.01	02	POWER TAKE-OFF 540E/1000 RPM - GEARS
31.114.01	03	POWER TAKE-OFF 540E/1000 RPM - COVER AND ENGAGEMENT
31.114.01	04	POWER TAKE-OFF 540E/1000 RPM - SUPPORT AND RELATED PARTS
31.114.0101	01	PTO 540/1000 RPM WITH INTERCHANGABLE SHAFTS - SHAFT AND GEARS (VAR.720809-720792)
31.114.0101	02	PTO 540/1000 RPM WITH INTERCHANGABLE SHAFTS - SUPPORT AND ENGAGEMENT (VAR.720809)
31.114.0101	03	PTO 540/1000 RPM WITH INTERCHANGABLE SHAFTS - COVER AND GEARS (VAR.720809)
31.114.0102	01	POWER TAKE-OFF 1000E/1000 RPM - SHAFT AND GEARS (VAR.743336)
31.114.0102	02	POWER TAKE-OFF 1000E/1000 RPM - GEARS (VAR.743336)
31.114.0102	03	POWER TAKE-OFF 1000E/1000 RPM - COVER AND ENGAGEMENT (VAR.743336)
31.114.0102	04	POWER TAKE-OFF 1000E/1000 RPM - SUPPORT AND RELATED PARTS (VAR.743336)
31.114.0103	01	PTO 540E/1000 RPM INTERCHANGEABLE SHAFTS - SHAFT AND GEARS (VAR.743335)
31.114.0103	02	PTO 540E/1000 RPM INTERCHANGEABLE SHAFTS - SUPPORT AND ENGAGEMENT (VAR.743335)
31.114.0103	03	PTO 540E/1000 RPM INTERCHANGEABLE SHAFTS - COVER AND GEARS (VAR.743335)
31.114.02		POWER TAKE-OFF GUARD FLIP UP PERFORATED
31.114.0201		POWER TAKE-OFF GUARD FLIP UP PERFORATED - POWER TAKE-OFF GUARD (VAR.720816)
31.114.0202		SLIDER TOW HOOK WITH AUTO SWIVEL COUPLING - POWER TAKE-OFF SHAFT COVER - FRENCH TYPE (VAR.720887-743225-720089-743180-720928-720897)
31.114.0203		POWER TAKE-OFF GUARD FLIP UP PERFORATED (VAR.743221 / 743613)
31.114.03	01	PTO, CLUTCH
31.114.03	02	PTO, CLUTCH BRAKE (VAR.720809-743349-743374 / 743611)
31.114.0301		540/1000 INTERCHANGEABLE SHAFTS PTO - PTO, CLUTCH (VAR.720809)
31.114.04	01	4 SPEED ELECTRICALLY SHIFTABLE PTO 540/540E/1000/1000E - SHAFT AND GEARS (VAR.743349-743374 / 743611)
31.114.04	02	4 SPEED ELECTRICALLY SHIFTABLE PTO 540/540E/1000/1000E - SHAFT AND GEARS (VAR.743374-743349 / 743611)
31.114.04	03	4 SPEED ELECTRICALLY SHIFTABLE PTO 540/540E/1000/1000E - PTO, CLUTCH (VAR.743349-743374 / 743611)
31.114.04	04	4 SPEED ELECTRICALLY SHIFTABLE PTO 540/540E/1000/1000E - SHAFT AND GEARS (VAR.743349-743374 / 743611)
31.114.04	05	4 SPEED ELECTRICALLY SHIFTABLE PTO 540/540E/1000/1000E - SHIMS (VAR.743349-743374 / 743611)
31.114.04	06	4 SPEED ELECTRICALLY SHIFTABLE PTO 540/540E/1000/1000E - SHIMS (VAR.743349-743374 / 743611)
33.000.00	01	PICTORIAL INDEX - BRAKES & CONTROLS
33.000.00	02	PICTORIAL INDEX - BRAKES & CONTROLS
33.110.01		INDEPENDENT PARKING BRAKE CONTROLLED BY HAND LEVER WITH TRANSMISSION LOCK (VAR.728127-743334)
33.110.02	01	HANDBRAKE CONTROL
33.110.02	02	HANDBRAKE CONTROL - BREAKDOWN
33.110.0201	01	ELECTRONIC PARK LOCK - HANDBRAKE CONTROL (VAR.728127-743334 / 743602)
33.110.0201	02	HANDBRAKE LEVER - BREAKDOWN (VAR.728127-743334 / 743602)
33.110.03		PARKING BRAKE
33.110.0301		INDEPENDENT PARKING BRAKE CONTROLLED BY HAND LEVER - PARKING BRAKE (VAR.743334-728137 / 743602)

---

## TABLE OF CONTENTS

---

33.202.01		TRANSMISSION BRAKES (STD )
33.202.0101		ABS SYSTEM TRANSMISSION BRAKES (VAR.743922)
33.202.02		BRAKE PIPING
33.202.03	01	BRAKE PEDALS AND BRAKE MASTER CYLINDERS
33.202.03	02	BRAKE PIPING (VAR.743330-743332 / 743609; VAR.743348 / 743610)
33.202.03	03	BRAKE PIPING
33.202.03	04	POWER BRAKE - BREAKDOWN (VAR.743330-743332 / 743609; VAR.743348 / 743610)
33.202.0301	01	EXHAUST BRAKE - PEDAL AND ASSOCIATED PARTS (VAR.743040) - C9033
33.202.0301	01A	EXHAUST BRAKE - PEDAL AND ASSOCIATED PARTS (VAR.743040) - D9033
33.202.0302	01	ABS SYSTEM - FOOT BRAKE CONTROL (VAR.743922)
33.202.0302	02	ABS SYSTEM - FOOT BRAKE CONTROL - PEDALS (VAR.743922)
33.202.04	01	ABS SYSTEM - PNEUMATIC TRAILER BRAKE - FOOT BRAKE VALVE (VAR.743922)
33.202.04	02	ABS SYSTEM - PNEUMATIC TRAILER BRAKE - FOOT BRAKE VALVE - PIPES (VAR.743922)
33.202.04	03	ABS SYSTEM - PNEUMATIC TRAILER BRAKE - PRESSURE CONTROL VALVE AND PRESSURE PROPORTIONING VALVE (VAR.743922)
33.202.04	04	ABS SYSTEM - PNEUMATIC TRAILER BRAKE - FRONT MASTER CYLINDER AND CONVERTER (VAR.743922)
33.202.04	05	ABS SYSTEM - PNEUMATIC TRAILER BRAKE - REAR MASTER CYLINDERS AND CONVERTERS (VAR. 743922)
33.202.04	06	ABS SYSTEM - PNEUMATIC TRAILER BRAKE - FRONT BRAKE FLUID RESERVOIR (VAR. 743922)
33.202.04	07	ABS SYSTEM - PNEUMATIC TRAILER BRAKE - REAR BRAKE FLUID RESERVOIR (VAR.743922)
33.204.01	01	FRONT AXLE WITH BRAKES - BRAKE GEARS - C7091 (VAR.728195-728212)
33.204.01	01A	FRONT AXLE WITH BRAKES - BRAKE GEARS - D7091 (VAR.728195-743963)
33.204.0101		ABS SYSTEM - 4WD FRONT AXLE WITH SUSPENSION AND BRAKES - BRAKE GEARS (VAR.743964)
33.204.02		4WD FRONT AXLE WITH BRAKES - BRAKES PIPES (VAR.728195)
33.204.0201	01	4WD FRONT AXLE WITH ACTIVE SUSPENSION AND BRAKES - BRAKES PIPES - C7091 (VAR.728212)
33.204.0201	01A	4WD FRONT AXLE WITH ACTIVE SUSPENSION AND BRAKES - BRAKES PIPES - D7091 (VAR.743963-743964)
33.204.0202		ABS SYSTEM - 4WD FRONT AXLE WITH SUSPENSION AND BRAKES - BRAKES PIPES (VAR.743964)
33.204.14	01	4WD AXLE WITH BRAKE - FRONT BRAKE VALVE PIPE - C7091 (VAR.728195-728212)
33.204.14	01A	4WD AXLE WITH BRAKE - FRONT BRAKE VALVE PIPE - D7091 (VAR.728195-743963)
33.204.1401	01	4WD AXLE WITH BRAKE - BRAKE PIPING - C7091 (VAR.728195-728212)
33.204.1401	01A	4WD AXLE WITH BRAKE - BRAKE PIPING - D7091 (VAR.728195-743963)
33.204.1402		ABS SYSTEM - 4WD AXLE WITH BRAKE - BRAKE PIPING (VAR.743964)
33.220.01	01	BRAKING LOGIC VALVE FOR CLOSED CENTRE LOAD SENSING HYD. - BRAKE LOGIC VALVE AND PIPES (VAR.743981 / 743896)
33.220.01	02	BRAKING LOGIC VALVE FOR CLOSED CENTRE LOAD SENSING HYD. - BRAKE LOGIC VALVE - BREAKDOWN (VAR.743981 / 743896)
33.220.0101	01	ABS SYSTEM - BRAKING LOGIC VALVE FOR CLOSED CENTRE LOAD SENSING HYD. - BRAKE LOGIC VALVE AND PIPES (VAR.743982 / 743896)
33.220.0101	02	ABS SYSTEM - BRAKING LOGIC VALVE FOR CLOSED CENTRE LOAD SENSING HYD. - BRAKE LOGIC VALVE - BREAKDOWN (VAR.743982 / 743896)

---

## TABLE OF CONTENTS

---

33.220.02	01	HYDRAULIC TRAILER BRAKE (UNIVERSAL) - BRAKING SYSTEM (VAR.743977 / 720414)
33.220.02	02	TRAILER BRAKE VALVE (UNIVERSAL) - BREAKDOWN (VAR.743977 / 720414)
33.220.0201	01	ABS SYSTEM - HYDRAULIC TRAILER BRAKE (UNIVERSAL) - BRAKING SYSTEM (VAR.743978 / 720414)
33.220.0201	02	ABS SYSTEM - TRAILER BRAKE VALVE (UNIVERSAL) - BREAKDOWN (VAR.743978 / 720414)
33.220.0202	01	HYDRAULIC TRAILER BRAKE (ITALY) - BRAKING SYSTEM (VAR.743979 / 720418)
33.220.0202	02	TRAILER BRAKE VALVE (ITALY) - BREAKDOWN (VAR.743979 / 720418)
33.220.0202	03	TRAILER BRAKE VALVE (ITALY) - MANIFOLD - BREAKDOWN (VAR.743979 / 720418)
33.220.0203	01	ABS SYSTEM - HYDRAULIC TRAILER BRAKE (ITALY) - BRAKING SYSTEM (VAR.743980 / 720418)
33.220.0203	02	ABS SYSTEM - TRAILER BRAKE VALVE (ITALY) - BREAKDOWN (VAR.743980 / 720418)
33.220.0203	03	ABS SYSTEM - TRAILER BRAKE VALVE (ITALY) - MANIFOLD - BREAKDOWN (VAR.743980 / 720418)
33.224.01	01	PNEUMATIC TRAILER BRAKE - BRACKET FOR AIR COMPRESSOR (VAR.729385-743170 / 743623; VAR.743171-728385 / 743624; VAR.743169-720178 / 743625)
33.224.01	02	PNEUMATIC TRAILER BRAKE - PULLEYS AND BELT (VAR.729385-743170 / 743623; VAR.743171-728385 / 743624; VAR.743169-720178 / 743625)
33.224.01	03	PNEUMATIC TRAILER BRAKE - PIPES (VAR.729385-743170 / 743623; VAR.743171-728385 / 743624; VAR.743169-720178 / 743625)
33.224.01	04	PNEUMATIC TRAILER BRAKE - PIPES (VAR.729385-743170 / 743623; VAR.743171-728385 / 743624; VAR.743169-720178 / 743625)
33.224.01	05	PNEUMATIC TRAILER BRAKE - REGENERATION AIR DRYER, TANKS AND PIPES (VAR.729385-743170 / 743623; VAR.743171-728385 / 743624; VAR.743169-720178 / 743625)
33.224.01	06	PNEUMATIC TRAILER BRAKE - REGENERATION AIR DRYER PIPES (VAR.729385-743170 / 743623; VAR.743171-728385 / 743624; VAR.743169-720178 / 743625)
33.224.01	07	PNEUMATIC TRAILER BRAKE - PIPES (VAR.729385-743170 / 743623; VAR.743171-728385 / 743624; VAR.743169-720178 / 743625)
33.224.01	08	PNEUMATIC TRAILER BRAKE - GUARD (VAR.729385-743170 / 743623; VAR.743171-728385 / 743624; VAR.743169-720178 / 743625)
33.224.01	09	PNEUMATIC TRAILER BRAKE - LOGIC VALVE DELIVERY PIPE (VAR.729385-743170 / 743623; VAR.743171-728385 / 743624; VAR.743169-720178 / 743625)
33.224.01	10	PNEUMATIC TRAILER BRAKE - CONTROL VALVE AND RELEVANT PARTS (VAR.729385-743170 / 743623; VAR.743171-728385 / 743624; VAR.743169-720178 / 743625)
33.224.01	11	PNEUMATIC TRAILER BRAKE - CONTROL VALVE AND RELEVANT PARTS (VAR.729385-743170 / 743623; VAR.743171-728385 / 743624; VAR.743169-720178 / 743625)
33.224.01	12	PNEUMATIC TRAILER BRAKE (UK) - QUICK HITCH AND PIPES (VAR.743169-720178 / 743625)
33.224.01	13	PNEUMATIC TRAILER BRAKE (UNIVERSAL) - QUICK HITCH AND PIPES (VAR.729385-743170 / 743623)
33.224.01	14	PNEUMATIC TRAILER BRAKE (ITALY) - BRACKET AND COUPLING (VAR.743171-728385 / 743624)
33.224.01	15	PNEUMATIC TRAILER BRAKE - SENSOR AND CONTROL VALVES (VAR.729385-743170 / 743623; VAR.743171-728385 / 743624; VAR.743169-720178 / 743625)
33.224.01	16	PNEUMATIC TRAILER BRAKE - AIR COMPRESSOR - BREAKDOWN
33.224.0101	01	PNEUMATIC TRAILER BRAKE - REGENERATION AIR DRYER, TANKS AND PIPES (VAR.729385-743170 / 743623; VAR.743171-728385 / 743624; VAR.743169-720178 / 743625)
33.224.0101	02	PNEUMATIC TRAILER BRAKE - AIR TANK AND PIPES (VAR.729385-743170 / 743623; VAR.743171-728385 / 743624; VAR.743169-720178 / 743625)
33.224.0102	01	ABS SYSTEM - PNEUMATIC TRAILER BRAKE - AIR COMPRESSOR (VAR. 743965-743966-743967)
33.224.0102	02	ABS SYSTEM - PNEUMATIC TRAILER BRAKE - AIR COMPRESSOR - PIPES (VAR. 743922)
33.224.0102	03	ABS SYSTEM - PNEUMATIC TRAILER BRAKE - PIPES FROM EBM (VAR.743922)
33.224.0102	04	ABS SYSTEM - PNEUMATIC TRAILER BRAKE - AIR RESERVOIRS PIPES (VAR. 743922)
33.224.0102	05	ABS SYSTEM - PNEUMATIC TRAILER BRAKE - RIGHT AIR RESERVOIR (VAR. 743922)

---

## TABLE OF CONTENTS

---

33.224.0102	06	ABS SYSTEM - PNEUMATIC TRAILER BRAKE - LEFT AIR RESERVOIR (VAR.743922)
33.224.0102	07	ABS SYSTEM - PNEUMATIC TRAILER BRAKE - RIGHT PRESSURE LIMITING VALVE AND AIR PROCESSING UNIT (VAR.743922)
33.224.0102	08	ABS SYSTEM - PNEUMATIC TRAILER BRAKE - LEFT PRESSURE LIMITING VALVE (VAR. 743922)
33.224.0102	09	ABS SYSTEM - PNEUMATIC TRAILER BRAKE - CONTROL VALVE AND RELEVANT PARTS (VAR.743965-743966-743967)
33.224.0102	10	ABS SYSTEM - PNEUMATIC TRAILER BRAKE - CONTROL VALVE AND RELEVANT PARTS (VAR. 743965-743966-743967)
33.224.0102	11	ABS SYSTEM - PNEUMATIC TRAILER BRAKE - CONTROL VALVE SUPPORT BRACKETS (VAR.743966-743967)
33.224.0102	12	ABS SYSTEM - PNEUMATIC TRAILER BRAKE (UNIVERSAL AND UK) - CONTROL VALVE PIPES (VAR.743965-743967)
33.224.0102	13	ABS SYSTEM - PNEUMATIC TRAILER BRAKE (UK) - COUPLERS (VAR.743967)
33.224.0102	14	ABS SYSTEM - PNEUMATIC TRAILER BRAKE (UNIVERSAL) - COUPLERS (VAR.743965)
33.224.0102	15	ABS SYSTEM - PNEUMATIC TRAILER BRAKE (ITALY) - CONTROL VALVE PIPES (VAR.743966)
33.224.0102	16	ABS SYSTEM - PNEUMATIC TRAILER BRAKE (TALY) - COUPLERS (VAR.743966)
33.224.0102	17	ABS SYSTEM - PNEUMATIC TRAILER BRAKE - CONTROL VALVE SUPPORT BRACKETS (VAR.743965)
33.224.0102	18	ABS SYSTEM - PNEUMATIC TRAILER BRAKE - PELLEYS AND BELT (VAR.743965-743966-743967)
33.224.0102	19	ABS SYSTEM - PNEUMATIC TRAILER BRAKE, AIR CONDITIONER - BREAKDOWN
33.224.0103		ABS SYSTEM - PNEUMATIC TRAILER BRAKE - AIR COMPRESSOR PIPES (VAR. 743922)
33.224.0104		ABS SYSTEM - BRAKET FOR PNEUMATIC TRAILER BRAKE PIPES (VAR.743922)
33.224.0105		ABS SYSTEM - BRACKET FOR TRAILER BRAKE VALVE (VAR.743978-743980)
33.224.02		TRAILER AIR BRAKE GERMANY - TRAILER BRAKE CONTROL VALVE AND PIPES
35.000.00	01	PICTORIAL INDEX - HYDRAULIC SYSTEMS
35.000.00	02	PICTORIAL INDEX - HYDRAULIC SYSTEMS
35.100.01	01	HYDRAULIC PUMP - OIL FILTER (VAR.729004-728481 / 743616)
35.100.01	02	HYDRAULIC PUMP - PUMP
35.100.01	03	HYDRAULIC PUMP - PUMPS AND FILTER
35.100.01	04	HYDRAULIC PUMP - PRIORITY VALVE (VAR.728484)
35.100.01	05	PUMPS FOR HYDRAULIC SYSTEM AND LIFT - DRIVING GEARS (VAR.729004-728481 / 743616)
35.100.01	06	PUMPS FOR HYDRAULIC SYSTEM AND LIFT - SHIMS (VAR.729004-728481 / 743616)
35.100.01	07	PRIORITY VALVE AND PIPES - BREAKDOWN
35.100.0101	01	150 L/MIN PUMP W/EDC - OIL FILTER (VAR.729004-728481 / 743616)
35.100.0101	02	150 L/MIN PUMP W/EDC - PIPES PUMPS (VAR.729004-728481 / 743616)
35.100.0101	03	150 L/MIN PUMP W/EDC - PUMPS AND FILTER (VAR.729004-728481 / 743616)
35.100.0101	04	150 L/MIN PUMP W/EDC - IDLER GEARS (VAR.729004-728481 / 743616)
35.100.0101	05	150 L/MIN PUMP W/EDC - SHIMS (VAR.729004-728481 / 743616)
35.100.0101	06	150 L/MIN PUMP W/EDC - SHIMS (VAR.728481-729004)
35.100.0101	07	150 L/MIN PUMP W/EDC - PUMPS AND FILTER - COMPONENTS (VAR.729004-728481 / 743616)
35.100.02		HYDRAULIC PUMP - PRIORITY VALVE (VAR.728217-728212-720463)

---

## TABLE OF CONTENTS

---

35.100.0201	01	4WD FRONT AXLE WITH ACTIVE SUSPENSIONS - HYDRAULIC DIFFERENTIAL LOCK - C7091 (VAR.728212-720463)
35.100.0201	01A	4WD FRONT AXLE WITH ACTIVE SUSPENSIONS - HYDRAULIC DIFFERENTIAL LOCK - D7091 (VAR.720463-743963-743964)
35.100.0201	02	FRONT AXLE WITH ACTIVE SUSPENSIONS - HYDRAULIC DIFFERENTIAL LOCK - BREAKDOWN - C7091 (VAR.728212-720463)
35.100.0201	02A	FRONT AXLE WITH ACTIVE SUSPENSIONS - HYDRAULIC DIFFERENTIAL LOCK - BREAKDOWN - D7091 (VAR.720463-743963-743964)
35.100.04	01	LIFTER LINES - REMOTE CONTROL VALVES MAIN SUPPLY AND LOAD SENSE LINE - C7091 (VAR.728484-720819-720463-728212)
35.100.04	01A	LIFTER LINES - REMOTE CONTROL VALVES MAIN SUPPLY AND LOAD SENSE LINE - D7091 (VAR.728484-720819-720463-743963-743964)
35.100.04	02	LIFTER LINES - LIFTER CYLINDERS PIPES - C7091 (VAR.720819-728484-720463-728212)
35.100.04	02A	LIFTER LINES - LIFTER CYLINDERS PIPES - D7091 (VAR.720819-728484-720463-743963-743964)
35.100.04	03	RIGHT LIFT ROD AND TOP LINK HYDRAULIC - LIFTER LINES - C7091 (VAR.720463-728212-728484-720819)
35.100.04	03A	RIGHT LIFT ROD AND TOP LINK HYDRAULIC - LIFTER LINES - D7091 (VAR.720463-728484-720819-743963-743964)
35.100.04	04	FRONT AXLE WITH ACTIVE SUSPENSIONS - LIFTER LINES - C7091 (VAR.720463-728212-720189-728484)
35.100.04	04A	FRONT AXLE WITH ACTIVE SUSPENSIONS - LIFTER LINES - D7091 (VAR.720463-720189-728484-743963-743964)
35.100.05		HYDRAULIC POWER LIFT - CYLINDER AND PINS (VAR.728232-743223)
35.100.06		HYDRAULIC POWER LIFT - CYLINDER - BREAKDOWN
35.100.0601		2 X 100 MM RAMS FOR REAR HYD. POWER LIFT - CYLINDER - BREAKDOWN (VAR.728232)
35.100.0602		2 X 110 MM RAMS FOR REAR HYD. POWER LIFT - CYLINDER - BREAKDOWN (VAR.743223)
35.120.01	01	TOOLING CONNECTION UNIT - SUPPORT (VAR.720881)
35.120.01	02	IMPLEMENT CARRIER
35.120.01	03	TOP LINK ASSEMBLY - BREAKDOWN
35.120.01	04	LIFT LINK ASSEMBLY - BREAKDOWN (VAR.728237-720881)
35.120.01	05	LIFT LINK ASSEMBLY - BREAKDOWN (VAR.728237)
35.120.01	06	LOWER LINK ARM - BREAKDOWN
35.120.01	07	END ASSEMBLY - BREAKDOWN
35.120.01	08	LOWER LINK ARM - BREAKDOWN
35.120.01	09	END ASSEMBLY - BREAKDOWN
35.120.01	10	TOP LINK ASSEMBLY - BREAKDOWN
35.120.0101		STORAGE AREA FOR LINKAGE BALLS - STORAGE AREA FOR LINK (VAR.743050 - 743829)
35.120.0102		SWAY BLOCK STABILIZERS (VAR.720901)
35.120.0103	01	TELESCOPIC LINK ENDS - IMPLEMENT CARRIER WITH TELESCOPIC LINK ENDS (VAR.720881-728237)
35.120.0103	02	2/3 TELESCOPIC LINK ENDS - IMPLEMENT CARRIER WITH TELESCOPIC LINK ENDS - BREAKDOWN (VAR.720881)
35.120.02	01	LATERAL STABILIZERS
35.120.02	02	LATERAL STABILIZERS
35.120.03		AUTOMATIC LINKAGE STABILIZER (VAR.720946-728754 / 743621)
35.120.0301		AUTOMATIC LINKAGE STABILIZER - BREAKDOWN (VAR.720946-728754 / 743621)

---

TABLE OF CONTENTS

---

35.124.01	01	HYD. LIFT ROD AND TOP LINK (VAR.728484)
35.124.01	02	HYDRAULIC TOP LINK - BREAKDOWN (VAR.728484-728237)
35.124.01	03	RH LIFT ROD AND LINK HYD. ADJUST W/ELEC. CONTROL - HYD. RH LIFT ROD AND TOP LINK (VAR.728484)
35.124.01	04	RIGHT LIFT ROD AND TOP LINK HYDRAULIC ADJUST W/ELECTRONIC CONTROL - PIPES AND SUPPORTS (VAR.728484)
35.124.01	05	RIGHT LIFT ROD AND TOP LINK HYDRAULIC ADJUST W/ELECTRONIC CONTROL - AUXILIARY DISTRIBUTOR (VAR.728484)
35.124.01	06	RIGHT LIFT ROD AND TOP LINK HYDRAULIC ADJUST W/ELECTRONIC CONTROL - SOLENOID VALVE (VAR.728484)
35.124.01	07	RIGHT LIFT ROD AND TOP LINK HYDRAULIC ADJUST W/ELECTRONIC CONTROL - PIPES (VAR.728484)
35.124.0101	01	HYDRAULIC TOP LINK FOR ALL LINKAGE OPTIONS - HYD. LIFT ROD AND TOP LINK (VAR.728237)
35.124.0101	02	HYDRAULIC TOP LINK FOR ALL LINKAGE OPTIONS - BREAKDOWN (VAR.728237)
35.124.0101	03	HYDRAULIC TOP LINK FOR ALL LINKAGE OPTIONS - TOP LINK AND PIPES (VAR.728237)
35.130.01		TOOLING CONNECTION UNIT - DRAFT SENSOR PIN (VAR.720881)
35.130.02		LIFT LINK POTENTIOMETER
35.134.01		HYDRAULIC POWER LIFT - ROCK SHAFT AND ASSOCIATES
35.162.01	01	FRONT HPL FOR MID MOUNT REMOTES LESS PTO, WITH AUX. COUPLERS (VAR.729094 / 743665-743666-743667)
35.162.01	02	FRONT HPL FOR MID MOUNT REMOTES LESS PTO, WITH AUX. COUPLERS - LIFTER - BREAKDOWN (VAR.729094 / 743665-743666-743667)
35.162.01	03	FRONT HPL FOR MID MOUNT REMOTES LESS PTO, WITH AUX. COUPLERS - LIFTER - BREAKDOWN (VAR.729094 / 743665-743666-743667)
35.162.01	04	FRONT HPL FOR MID MOUNT REMOTES LESS PTO, WITH AUX. COUPLERS - LIFTER - BREAKDOWN (VAR.729094 / 743665-743666-743667)
35.162.0101	01	FRONT HPL FOR ELECTRONIC/MECHANICAL REMOTES LESS PTO, LESS AUX. COUPLERS - LIFTER - C7069 (VAR.729087-729088 / 743665-743666)
35.162.0101	02	FRONT HPL FOR ELECTRONIC/MECHANICAL REMOTES LESS PTO, LESS AUX. COUPLERS - LINK AND ARMS - C7069 (VAR.729087-729088 / 743665-743666)
35.162.0101	03	FRONT HPL FOR ELECTRONIC/MECHANICAL REMOTES LESS PTO, LESS AUX. COUPLERS - LIFTER - BREAKDOWN - C7069 (VAR.729087-729088 / 743665-743666)
35.162.0101	04	FRONT HPL - LIFTER - BREAKDOWN - C7069 (VAR.729087-729088-729089-729090-729091-743092 / 743665-743666-743667)
35.162.0101	05	FRONT HPL - LIFTER - BREAKDOWN - C7069 (VAR.729087-729088-729089-729090-729091-743092 / 743665-743666-743667)
35.162.0101	06	FRONT HPL - LIFTER - BREAKDOWN - C7069 (VAR.729087-729088-729089-729090-729091-743092 / 743665-743666-743667)
35.162.0101	07	FRONT HPL - CYLINDER - C7069 (VAR.729087-729088-729089-729090-729091-729092-729093-729094-743092 / 743665-743666-743667)
35.162.0101	08	FRONT HPL - THIRD-LINK SPRAG - BREAKDOWN - C7069 (VAR.729087-729088-729089-729090-729091-729092-729093-729094-743092 / 743665-743666-743667)
35.162.0102	01	FRONT HPL FOR ELECTRONIC/MECHANICAL REMOTES, LESS AUX. COUPLERS - PIPES AND BRACKETS (VAR.729087-729088-729089-729092-729093-743092-743481-743482-743483-743484 / 743665-743666-743765-743838)
35.162.0102	02	FRONT HPL - PIPES AND BRACKETS (VAR.729090-729091-743485-743486 / 743665-743666-743667-743765-743837-743838)
35.162.0102	03	FRONT HPL FOR ELECTRONIC REMOTES LESS PTO, LESS AUX. COUPLERS - PIPES AND BRACKETS (VAR.729088-729093-743483 / 743665-743666-743765-743838)
35.162.0102	04	FRONT HPL - PIPES - C7069 (VAR.729087-729088-729089-729090-729091-743092 / 743665-743666-743667)
35.162.0102	04A	FRONT HPL - PIPES AND BRACKETS - D7069 (VAR.743481-743482-743483-743484-743485-743486 / 743666-743667-743765-743837-743838)
35.162.0102	05	FRONT HPL FOR ELECTRONIC/MECHANICAL REMOTES LESS PTO, LESS AUX. COUPLERS - PIPES AND BRACKETS (VAR.729092-729093 / 743665-743666)



---

TABLE OF CONTENTS

---

35.162.0102	06	FRONT HPL FOR MID MOUNT REMOTES LESS PTO, WITH AUX. COUPLERS - PIPES AND BRACKETS (VAR.729094 / 743665-743666-743667)
35.162.0201	01	FRONT HPL FOR ELECTRONIC/MECHANICAL REMOTES WITH PTO, LESS AUX. COUPLERS - LIFTER - C7069 (VAR.729089-743092 / 743665-743666)
35.162.0201	02	FRONT HPL FOR ELECTRONIC/MECHANICAL REMOTES WITH PTO, LESS AUX. COUPLERS - LINK AND ARMS - C7069 (VAR.729089-743092 / 743665-743666)
35.162.0201	03	FRONT HPL FOR ELECTRONIC/MECHANICAL REMOTES WITH PTO, LESS AUX. COUPLERS - LIFTER - BREAKDOWN - C7069 (VAR.729089-743092 / 743665-743666)
35.162.0201	04	FRONT HPL WITH PTO - OIL COOLER - BREAKDOWN - C7069 (VAR.729089-729091-743092 / 743665-743666-743667)
35.162.0201	05	FRONT HPL WITH PTO - OIL COOLER AND SHAFT PTO - C7069 (VAR.729089-729091-743092 / 743665-743666-743667)
35.162.0201	06	FRONT HPL WITH PTO - BREAKDOWN - C7069 (VAR.729089-729091-743092 / 743665-743666-743667)
35.162.0201	07	FRONT HPL WITH PTO - GEARBOX - BREAKDOWN - C7069 (VAR.729089-729091-743092 / 743665-743666-743667)
35.162.0201	08	FRONT HPL WITH PTO - GEARBOX - BREAKDOWN - C7069 (VAR.729089-729091-743092 / 743665-743666-743667)
35.162.0201	09	FRONT HPL WITH PTO - CLUTCH - BREAKDOWN - C7069 (VAR.729089-729091-743092 / 743665-743666-743667)
35.162.0301	01	FRONT HPL FOR MID MOUNT REMOTES LESS PTO, WITH AUX. COUPLERS - C7069 (VAR.729090 / 743665-743666-743667)
35.162.0301	02	FRONT HPL FOR MID MOUNT REMOTES LESS PTO, WITH AUX. COUPLERS - LINK AND ARMS - C7069 (VAR.729090 / 743665-743666-743667)
35.162.0301	03	FRONT HPL FOR MID MOUNT REMOTES LESS PTO, WITH AUX. COUPLERS - LIFTER - BREAKDOWN - C7069 (VAR.729090 / 743665-743666-743667)
35.162.0401	01	FRONT HPL FOR MID MOUNT REMOTES WITH PTO, WITH AUX. COUPLERS - C7069 (VAR.729091 / 743665-743666-743667)
35.162.0401	02	FRONT HPL FOR MID MOUNT REMOTES WITH PTO, WITH AUX. COUPLERS - LINK AND ARMS - C7069 (VAR.729091 / 743665-743666-743667)
35.162.0401	03	FRONT HPL FOR MID MOUNT REMOTES WITH PTO, WITH AUX. COUPLERS - BREAKDOWN - C7069 (VAR.729091 / 743665-743666-743667)
35.162.0501	01	FRONT HPL FOR ELECTRONIC/MECHANICAL REMOTES LESS PTO, LESS AUX. COUPLERS - LINK AND ARMS (VAR.729092-729093 / 743665-743666)
35.162.0501	02	FRONT HPL FOR ELECTRONIC/MECHANICAL REMOTES LESS PTO, LESS AUX. COUPLERS - LIFTER - BREAKDOWN (VAR.729092-729093 / 743665-743666)
35.162.0501	03	FRONT HPL FOR ELECTRONIC/MECHANICAL REMOTES LESS PTO, LESS AUX. COUPLERS - LIFTER - BREAKDOWN (VAR.729092-729093 / 743665-743666)
35.162.0501	04	FRONT HPL FOR ELECTRONIC/MECHANICAL REMOTES LESS PTO, LESS AUX. COUPLERS - LIFTER - BREAKDOWN (VAR.729092-729093 / 743665-743666)
35.162.06		FRONT HPL FOR MECHANICAL REMOTES, LESS AUX. COUPLERS - SOLENOID VALVE (VAR.729087-729092-743092 / 743665-743666)
35.162.07		FRONT HPL FOR MID MOUNT REMOTES, WITH AUX. COUPLERS - D7069 (VAR.743485-743486 / 743666-743667-743765-743837-743838)
35.162.08	01	FRONT HPL - CYLINDERS AND SUPPORT - D7069 (VAR.743481-743482-743483-743484-743485-743486 / 743666-743667-743765-743837-743838)
35.162.08	02	FRONT HPL - IMPLEMENT ATTACHMENT - D7069 (VAR.743481-743482-743483-743484-743485-743486 / 743666-743667-743765-743837-743838)
35.162.08	03	FRONT HPL - PIPES AND ACCUMULATOR - D7069 (VAR.743481-743482-743483-743484-743485-743486 / 743666-743667-743765-743837-743838)
35.162.08	04	FRONT HPL - COVERS - D7069 (VAR.743481-743482-743483-743484-743485-743486 / 743666-743667-743765-743837-743838)
35.162.08	05	FRONT HPL - THIRD-LINK SPRAG - BREAKDOWN - D7069 (VAR.743481-743482-743483-743484-743485-743486 / 743666-743667-743765-743837-743838)
35.162.09	01	FRONT HPL WITH PTO - D7069 (VAR.743482-743484-743486 / 743666-743667-743765-743837-743838)
35.162.09	02	FRONT HPL WITH PTO - PTO ASSY - D7069 (VAR.743482-743484-743486 / 743666-743667-743765-743837-743838)
35.204.01	01	3 REMOTE CONTROL VALVES, ELECTRONIC
35.204.01	02	3 REMOTE CONTROL VALVES, ELECTRONIC, COMPONENTS

---

TABLE OF CONTENTS

---

35.204.01	03	CONTROL VALVE SECTION, LEFT, COMPONENTS - C7414
35.204.01	03A	CONTROL VALVE SECTION, LEFT, COMPONENTS - D7414 - C7417
35.204.01	03B	CONTROL VALVE SECTION, LEFT, COMPONENTS - D7417 - C7418
35.204.01	03C	CONTROL VALVE SECTION, LEFT, COMPONENTS - D7418
35.204.01	04	CONTROL VALVE SECTION, MAIN, COMPONENTS - C7414
35.204.01	04A	CONTROL VALVE SECTION, MAIN, COMPONENTS - D7414 - C7417
35.204.01	04B	CONTROL VALVE SECTION, MAIN, COMPONENTS - D7417 - C7418
35.204.01	04C	CONTROL VALVE SECTION, MAIN, COMPONENTS - D7418
35.204.01	05	CONTROL VALVE SECTION, RIGHT, COMPONENTS - C7414
35.204.01	05A	CONTROL VALVE SECTION, RIGHT, COMPONENTS - D7414 - C7417
35.204.01	05B	CONTROL VALVE SECTION, RIGHT, COMPONENTS - D7417 - C7418
35.204.01	05C	CONTROL VALVE SECTION, RIGHT, COMPONENTS - D7418
35.204.01	06	CONTROL VALVE, INLET & OUTLET SECTION, COMPONENTS
35.204.01	07	CONTROL VALVE SECTION, HITCH, COMPONENTS - C7414
35.204.01	07A	CONTROL VALVE SECTION, HITCH, COMPONENTS - D7414
35.204.01	08	3 REMOTE CONTROL VALVES, RESERVOIR - C7411
35.204.01	08A	3 REMOTE CONTROL VALVES, RESERVOIR - D7411
35.204.01	09	3 REMOTE CONTROL VALVES, RESERVOIR (VAR.743823-743826)
35.204.0101	01	3 REMOTE CONTROL VALVES, ELECTRONIC, W/ POWER BEYOND COUPLERS (VAR.720683-743826)
35.204.0101	02	REMOTE CONTROL VALVE, BRACKET (VAR.743169 / 743625; VAR.743170 / 743623; VAR.743171 / 743624; VAR.720683-743826)
35.204.0101	03	3 REMOTE CONTROL VALVES, ELECTRONIC, W/ POWER BEYOND COUPLERS, COMPONENTS (VAR.720683-743826)
35.204.0101	04	3 REMOTE CONTROL VALVES, ELECTRONIC, W/ POWER BEYOND COUPLERS, COMPONENTS (VAR.720683-743826)
35.204.0102	01	4 REMOTE CONTROL VALVES, ELECTRONIC (VAR.729718-743824 / 743668)
35.204.0102	02	4 REMOTE CONTROL VALVES, ELECTRONIC, COMPONENTS (VAR.729718-743824 / 743668)
35.204.0102	03	4 REMOTE CONTROL VALVES, RESERVOIR (VAR.729718-743424 / 743668; 720669) - C7411
35.204.0102	03A	4 REMOTE CONTROL VALVES, RESERVOIR (VAR.729718-743424 / 743668; 720669) - D7411
35.204.0102	04	4 REMOTE CONTROL VALVES, RESERVOIR (VAR.743824-743827 / 743668)
35.204.0103	01	4 REMOTE CONTROL VALVES, ELECTRONIC, W/ POWER BEYOND COUPLERS (VAR.743424-743827 / 743668)
35.204.0103	02	4 REMOTE CONTROL VALVES, ELECTRONIC, W/ POWER BEYOND COUPLERS, COMPONENTS (VAR.743424-743827 / 743668)
35.204.0104	01	5 REMOTE CONTROL VALVES, ELECTRONIC (VAR.729252-743825 / 743669)
35.204.0104	02	5 REMOTE CONTROL VALVES, ELECTRONIC, COMPONENTS (VAR.729252-743825 / 743669)
35.204.0104	03	5 REMOTE CONTROL VALVES, RESERVOIR (VAR.729252-743425 / 743669) - C7411
35.204.0104	03A	5 REMOTE CONTROL VALVES, RESERVOIR (VAR.729252-743425 / 743669) - D7411
35.204.0104	04	5 REMOTE CONTROL VALVES, RESERVOIR (VAR.743825-743828 / 743669)
35.204.0105	01	5 REMOTE CONTROL VALVES, ELECTRONIC, W/ POWER BEYOND COUPLERS (VAR.743425-743828 / 743669)

---

## TABLE OF CONTENTS

---

35.204.0105	02	5 REMOTE CONTROL VALVES, ELECTRONIC, W/ POWER BEYOND COUPLERS, COMPONENTS (VAR.743425-743828 / 743669)
35.204.0105	03	5 REMOTE CONTROL VALVES, ELECTRONIC, W/ POWER BEYOND COUPLERS, COMPONENTS (VAR.743425-743828 / 743669)
35.204.0106	01	3 REMOTE CONTROL VALVES, MECHANICAL
35.204.0106	02	3 REMOTE CONTROL VALVES, MECHANICAL, COMPONENTS
35.204.0106	03	CONTROL VALVE, COMPONENTS
35.204.0106	04	VALVE BODY, COMPONENTS
35.204.0106	05	CONTROL VALVE SECTION, COMPONENTS
35.204.0107	01	3 REMOTE CONTROL VALVES, MECHANICAL, W/ POWER BEYOND COUPLERS (VAR.720681)
35.204.0107	02	3 REMOTE CONTROL VALVES, MECHANICAL, W/ POWER BEYOND COUPLERS, COMPONENTS (VAR.720681)
35.204.0107	03	VALVE, W/ POWER BEYOND COUPLERS, COMPONENTS (VAR.720681)
35.204.0108	01	4 REMOTE CONTROL VALVES, MECHANICAL (VAR.720669)
35.204.0108	02	4 REMOTE CONTROL VALVES, MECHANICAL, COMPONENTS (VAR.720669)
35.204.02	01	ELECTRONIC MID MOUNTED VALVES 2 SLICE - CONTROL VALVE - BREAKDOWN (VAR.728108)
35.204.02	02	ELECTRONIC MID MOUNTED VALVES 2,3,4 SLICE - SINGLE SLICE - BREAKDOWN (VAR.728108-728109-728110)
35.204.0201		ELECTRONIC MID MOUNTED VALVES 3 SLICE - CONTROL VALVE - BREAKDOWN (VAR.728109)
35.204.0202		ELECTRONIC MID MOUNTED VALVES 4 SLICE - CONTROL VALVE - BREAKDOWN (VAR.728110)
35.204.03	01	ELECTRONIC MID MOUNTED VALVES - COVER SUPPORT AND PIPES (VAR.728108-728109-728110)
35.204.03	02	ELECTRONIC MID MOUNTED VALVES - PIPES (VAR.728108-728109-728110)
35.204.16	01	3 MECHANICAL REAR REMOTES - LEVERS
35.204.16	02	3 MECHANICAL REAR REMOTES - CABLES (VAR.720681)
35.204.1601		3 MECHANICAL REAR REMOTES - LEVERS (VAR.720681)
35.204.1602	01	4 MECHANICAL REAR REMOTES - LEVERS (VAR.720669)
35.204.1602	02	4 MECHANICAL REAR REMOTES - CABLES (VAR.720669)
37.000.00		PICTORIAL INDEX - TOWING HOOK AND BALLASTING
37.100.04		SWINGING DRAWBAR FOR SLIDER TOW HOOK - SWINGING DRAWBAR (VAR.720907)
37.100.0401		INDEPENDENT SWINGING DRAWBAR WITH CLEVIS (CAT.3) - SWINGING DRAWBAR - NAR (VAR.743224)
37.100.0402		INDIPENDENT SWINGING DRAWBAR WITH CLEVIS - SWINGING DRAWBAR (VAR.720912)
37.100.0403	01	INDEPENDENT SWINGING DRAWBAR WITH CLEVIS - SWINGING DRAWBAR (VAR.720910)
37.100.0403	02	INDEPENDENT SWINGING DRAWBAR WITH CLEVIS - SWINGING DRAWBAR (VAR.720910)
37.100.0404		SWINGING DRAWBAR FOR SLIDER TOW HOOK (ITALIAN TYPE) - SWINGING DRAWBAR (VAR.720913)
37.100.0405	01	DRAWBAR, HEAVY DUTY - NAR (VAR.728531)
37.100.0405	02	DRAWBAR, HEAVY DUTY, COMPONENTS - NAR (VAR.728531)
37.100.05		SLIDER TOW HOOK WITH FIXED D3 TYPE COUPLING - TOW HITCH (VAR.743225)
37.100.0501		SLIDER TOW HOOK WITH FIXED C TYPE COUPLING, (ITALY) - TOW HITCH (VAR.720928)
37.100.0502		SLIDER TOW HOOK WITH FIXED D3 TYPE COUPLING - TOW HITCH (VAR.743181)

**Thanks very much for your reading,  
Want to get more information,  
Please click here, Then get the complete  
manual**

**JustClickHere** 

**NOTE:**

**If there is no response to click on the link above,  
please download the PDF document first, and then  
click on it.**

**Have any questions please write to me:  
[admin@servicemanualperfect.com](mailto:admin@servicemanualperfect.com)**