

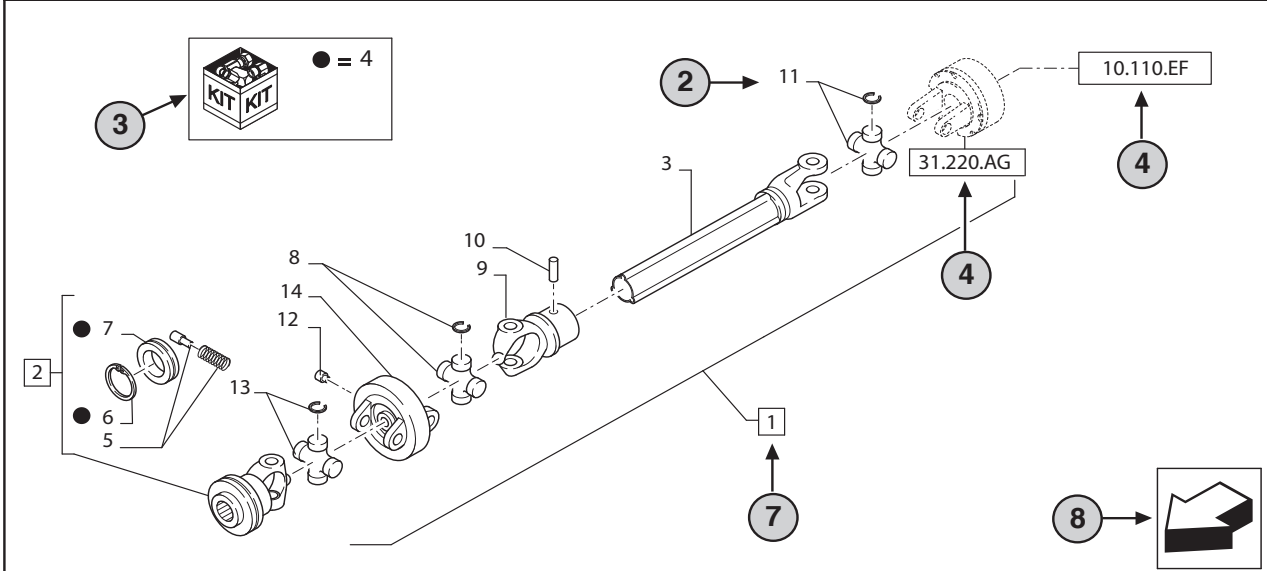
All rights reserved by **CNHi**.

The information contained in this catalogue is intended to be of a general nature only. **CNHi** may at any time and from time to time, for technical or other necessary reasons, modify any of the details or specifications of the product described in this catalogue.

To be sure of getting accurate, detailed and up-to-date information, an intending buyer should consult his nearest **CNHi** dealer or distributor.

Single item numeration method used in this catalogue may not be used without written consent from **CNHi**.

VAR - 123782, 789101,987654 - PTO - D650



STANDARD ← (6)

VAR - 123782, 789101,987654 - PTO - D650

(11) (12) (13) (14)

REF	FN	PART NUMBER	YR/SN	QTY	DESCRIPTION
1	1	86529340	(20)	1	SHAFT PTO, Incl 2 - 11
2	(15)	84014007		1	YOKE, Incl 4 -7 ← (7)
3	(16)	NSS		1	NOT SERVICED SEPARATELY, SHAFT, 350mm, Incl in 1
4		84004292		1	KIT, Seal Kit, Incl 6, 7 (17)
4		{84058743}		1	KIT, Seal Kit, Incl 6, 7
(2)	(18)	(19)	(21)	(22)	
		1 = FOR ITALY ONLY ← (5)			

MODELS ← (1)


- 1 Model Number and Model Description
- 2 Reference - Figure call-out of the part number.
- 3 Parts supplied in repair kits per symbol reference.
- 4 31.220.AD Part illustrated on the **Page** or in the **Figure** indicated, or calls for **Variations** or **Details**. Indicates components shown in detail elsewhere in the catalogue under the figure number shown.
- 5 Footnote references
- 6 Figure notes
- 7 1 2 Includes item(s) (See Description within partlist).
- 8 Orientation. (Arrow indicates front of the machine). 
- 9 Figure description.
- 10 General information of the figure.
- 11 Figure title number that aligns with the SRT. Standard Repair Time.
- 12 **Sequence** code within the assembly.
- 13 Page number within the sequence code.
- 14 **Date** of printing or updating of page (month-year).
- 15 **Note** - Relating to the Part Number. There is a key to symbols and abbreviations at the bottom of the text page.
- 16 Non-serviced parts.
- 17 Further description of the part to help confirm identification.
- 18 Not available as service part.
- 19 Part Number.
- 20 To be defined.
- 21 Total **Quantity** of the Part referred to in the page.
The quantity can be replaced by the following indications:
AR = quantity as requested.
- 22 Part **Description**.
- 23 Variant Codes

TABLE OF CONTENTS

00.000.00		PICTORIAL INDEX - MAIN SECTIONS
00.000.01		IDENTIFICATION AND VERSION LIST
00.001.00	01	OPTIONAL EQUIPMENT
00.001.00	02	OPTIONAL EQUIPMENT
00.001.00	03	OPTIONAL EQUIPMENT
00.001.00	04	OPTIONAL EQUIPMENT
00.001.00	05	OPTIONAL EQUIPMENT
00.001.00	06	OPTIONAL EQUIPMENT
D.I.A.		DEALER INSTALLED ACCESSORY KITS INDEX
05.000.00		PICTORIAL INDEX - MACHINE COMPLETION AND EQUIPMENT
05.100.01		INITIAL STOCKING LIST (LIST A)
05.100.02		INITIAL STOCKING LIST (LIST B)
05.100.03	01	CAPACITIES
05.100.04	01	MAINTENANCE PARTS - FILTERS
05.100.04	02	MAINTENANCE PARTS - STARTER MOTOR, ALTERNATOR, BELTS
05.100.04	03	MAINTENANCE PARTS - FUSES
05.100.04	04	MAINTENANCE PARTS - BULBS
05.100.04	05	MAINTENANCE PARTS - PUMPS
05.102.01		FIRE EXTINGUISHER PREDISPOSITION AND EMERGENCY EXIT HAMMER (STD + VAR.336007; VAR.330007-335007 / 743726)
10.000.00		PICTORIAL INDEX - ENGINE
10.001.0101		ENGINE
10.103.01		FLYWHEEL (STD + VAR.330247 / 743766; VAR.330291 / 743764; VAR.335245 / 743673)
10.202.0101		AIR CLEANER & INTAKE PARTS
10.202.0103		AIR FILTER WITH PRECLEANER "SPIN TUBE" - AIR CLEANER & INTAKE PARTS (VAR.330189-332189 / 743763)
10.202.0201		AIR CLEANER SUPPORT (STD + VAR.330515-330520 / 743816; VAR.331515-331520 / 743729)
10.210.0101		FUEL LINES
10.210.0103		FUEL LINES (VAR.331170)
10.210.02		FUEL FILTER - BREAKDOWN (STD + VAR. 331170)
10.210.0301		ADBLUE™/DEF (DIESEL EXHAUST FLUID) LINES
10.216.0101	01	FUEL TANK & ADBLUE™/DEF (DIESEL EXHAUST FLUID) TANK - TANK & ASSOCIATED PARTS (STD + VAR.330142 / 743670)
10.216.0101	02	FUEL TANK & ADBLUE™/DEF (DIESEL EXHAUST FLUID) TANK - BREAKDOWN (STD + VAR.330142 / 743670)
10.216.0101	03	ADBLUE™/DEF (DIESEL EXHAUST FLUID) TANK - BREAKDOWN (STD + VAR.330142 / 743670)
10.216.0101	04	FUEL TANK - BREAKDOWN (STD + VAR.330142 / 743670)

TABLE OF CONTENTS

10.216.0201		FUEL TANK PROTECTION (VAR.330142 / 743670)
10.216.03		FUEL COOLER (VAR.331170)
10.220.01		ACCELERATOR HAND CONTROL LEVER AND KNOB (STD + VAR.330283)
10.220.02		ACCELERATOR PEDAL - MECHANICAL
10.220.0201		ACCELERATOR PEDAL - ELECTRONIC CONTROLS
10.220.0202		ACCELERATOR PEDAL - MECHANICAL (VAR.330247 / 743766; VAR.330291 / 743764; VAR.335245 / 743673)
10.254.0102		EXHAUST SYSTEM - MUFFLER
10.254.02		EXHAUST PIPE (STD + VAR.332189/743763)
10.254.0201		EXHAUST PIPE (VAR.330189 / 743763)
10.254.03		PROTECTION FOR EXHAUST
10.254.0301		PROTECTION FOR EXHAUST (VAR.332821-334821 / 743702; VAR.330211)
10.254.0302		PROTECTION FOR EXHAUST (VAR.331605 / 743847)
10.310.01	01	INTERCOOLER AND CONDENSER (STD + VAR.330643)
10.310.01	02	INTERCOOLER AND CONDENSER - BREAKDOWN - INTERCOOLER (STD + VAR.330643)
10.310.0201		AIR INTAKE LINE
10.400.0201		COOLING - RADIATOR HOSES
10.406.01		RADIATOR & RELATED PARTS (STD + VAR.330643)
10.406.02		RADIATOR SEALS (STD + VAR.330643)
10.406.03		RADIATOR FAN SHROUD (STD + VAR.330189-332189 / 743763)
10.406.04		FRONT SUPPORT COVER AND RADIATOR BAFFLE (STD + VAR.336811-338811; VAR.330408-330409-330413-330416-330425-330428; VAR.330414-330427-330429-330430)
10.406.0601		COOLING - EXPANSION TANK
10.406.0703		COLD START SYSTEM, BLOCK HEATER - 240V (VAR.330206)
10.406.0704		COLD START SYSTEM, BLOCK HEATER - 240V (VAR.330206)
10.406.0706		COLD START SYSTEM, BLOCK HEATER - 110V (VAR.330205)
10.406.0707		COLD START SYSTEM, BLOCK HEATER - 110V (VAR.330205)
10.414.01		ENGINE - FAN, PULLEY (STD + VAR.330643)
10.414.0201		ENGINE FAN
10.414.0301		BELT - (STD + VAR.336192)
18.000.00		PICTORIAL INDEX - CLUTCH
18.100.03	01	CLUTCH PEDAL (STD + VAR.330283) - C7152
18.100.03	01A	CLUTCH PEDAL (STD + VAR.330283) - D7152
18.112.0101		TRANSMISSION 16X16 / 17X16 / 24X24 (35-40-50KM/H) - TORSIONAL DAMPER (STD + VAR.330247 / 743766; VAR.330291 / 743764; VAR.335245 / 743673)
21.000.00	01	PICTORIAL INDEX - TRANSMISSION

TABLE OF CONTENTS

21.000.00	02	PICTORIAL INDEX - TRANSMISSION
21.100.00		SERVICE KIT, TRANSMISSION
21.103.01		TRANSMISSION 16X16 AND 17X16 (40 KM/H), SPS - LUBRICATION LINE PIPES (VAR.330283)
21.103.02	01	HYDRAULIC PUMP 80 L/MIN FD FOR SPS - LOW PRESSURE PIPES AND FILTER
21.103.02	02	HYDRAULIC PUMP 80 L/MIN FD FOR SPS - LOW PRESSURE PIPES AND ACCUMULATOR
21.103.0201		HYDRAULIC PUMP 113 L/MIN CCLS FOR SPS - TRANSMISSION LUBRICATION PIPES (VAR.331836-332836-333836-335836-336835-337835-338835-339835 / 743744)
21.104.01		TRANSMISSION 24X24 (40 KM/H) HI-LO - LOW PRESSURE PIPES AND FILTER
21.104.02		TRANSMISSION 24X24 (40 KM/H) HI-LO - HI-LO CLUTCH AND CONTROL LUBE MANIFOLD
21.109.01		OIL COOLER (STD + VAR.330643)
21.109.0201	01	TRANSMISSION 24X24 (40 KM/H) HI-LO - OIL COOLER PIPES
21.109.0201	02	TRANSMISSION 24X24 (40 KM/H) HI-LO - OIL COOLER PIPES
21.109.03		TRANSMISSION 24X24 (40 KM/H) HI-LO - OIL COOLER PIPES (STD* + VAR.338405-339405)
21.109.04	01	HYDRAULIC PUMP 113 L/MIN CCLS FOR SPS - HEAT EXCHANGER LINES (VAR.331836-332836-333836-335836 / 743744)
21.109.04	02	HYDRAULIC PUMP 113 L/MIN CCLS FOR SPS - BY PASS VALVE - BREAKDOWN (VAR.331836-332836-333836-335836 / 743744)
21.109.0401		HYDRAULIC PUMP 113 L/MIN CCLS FOR SPS - HEAT EXCHANGER LINES FOR CL. 4 FRONT AXLE (VAR.336835-337835-338835-339835 / 743744)
21.111.02		TRANSMISSION 16X16 AND 17X16 (40 KM/H), SPS - GEARBOX HOUSING (VAR.330283)
21.112.02		TRANSMISSION 24X24 HI-LO - GEARBOX HOUSING
21.112.03		TRANSMISSION 24X24 (40 KM/H) HI-LO - REAR AXLE HOUSING, INNER PIPES AND BREATHERS (STD + VAR.330247 / 743766; VAR.330291 / 743764; VAR.331970-337904; VAR.331908; VAR.330909-331909 / 743811; VAR.335245 / 743673; VAR.331920; VAR. 330921-331921 / 743696; VAR.332923)
21.118.0102		TRANSMISSION OIL HEATER - 240V (VAR.330206)
21.118.02		TRANSMISSION OIL HEATER - 110V (VAR.330205)
21.133.01	01	SEMI-POWER SHIFT TRANSMISSION EXTERNAL CONTROLS FOR 40E KM/H AND 50KM/H - CONTROL VALVE
21.133.01	02	SEMI-POWER SHIFT TRANSMISSION EXTERNAL CONTROLS FOR 40E KM/H AND 50KM/H - CONTROL VALVE - BREAKDOWN
21.133.0101		SEMI-POWER SHIFT TRANSMISSION EXTERNAL CONTROLS FOR 40KM/H AND CCLS PUMP - CONTROL VALVE (STD* + VAR.338405-339405)
21.133.02	01	TRANSMISSION 16X16 AND 17X16 (40 KM/H), SPS - C1/C4 CLUTCH LUBRICATION OIL JOINTS (VAR.330283)
21.133.02	02	TRANSMISSION 16X16 AND 17X16 (40 KM/H), SPS - TRANSMISSION VALVE BLOCK (VAR.330283)
21.133.03	01	TRANSMISSION 16X16 AND 17X16 (40 KM/H), SPS - COVER FOR REVERSER - CONTROL FOR 4/5 UNITS AND VALVE (VAR.330283)
21.133.03	02	TRANSMISSION 16X16 AND 17X16 (40 KM/H), SPS - REVERSER AND SPEED CONTROL (VAR.330283)
21.133.04	01	GEARSHIFT CONTROL - LEVER - CABLE (VAR.330283)
21.133.04	02	GEARSHIFT CONTROL - KNOB - BRACKET (VAR.330283)
21.134.01	01	POWER SHUTTLE TRANSMISSION EXTERNAL CONTROLS FOR 30KM/H AND 40KM/H - CONTROL VALVE
21.134.01	02	POWER SHUTTLE TRANSMISSION EXTERNAL CONTROLS FOR 30KM/H AND 40KM/H - CONTROL VALVE - BREAKDOWN

TABLE OF CONTENTS

21.134.02		TRANSMISSION 24X24 (40 KM/H) HI-LO - HI-LO ENGAGEMENT CONTROL VALVE
21.134.03	01	TRANSMISSION 24X24 (40 KM/H) HI-LO - RANGE GEARSHIFT MECHANISM - COVER, RODS AND FORKS
21.134.03	02	TRANSMISSION 24X24 (40 KM/H) HI-LO - RANGE GEARSHIFT MECHANISM - LEVERS AND TIE-ROD
21.134.04	01	TRANSMISSION 24X24 (40 KM/H) HI-LO - GEARBOX COVER AND SPEED GEARSHIFT MECHANISM
21.134.04	02	TRANSMISSION 24X24 (40 KM/H) HI-LO - GEARBOX COVER, LEVERS AND TIE-RODS
21.134.05	01	TRANSMISSION 24X24 (40 KM/H) HI-LO - COVER FOR REVERSER – FORK AND VALVES
21.134.05	02	TRANSMISSION 24X24 (40 KM/H) HI-LO - COVER FOR REVERSER - TOP COVER AND SENSOR
21.134.06	01	TRANSMISSION 24X24 (40 KM/H) HI-LO - GEARSHIFT CONTROLS
21.134.06	02	TRANSMISSION 24X24 (40 KM/H) HI-LO - GEARSHIFT CONTROLS
21.152.01		TRANSMISSION 16X16 AND 17X16 (40 KM/H), SPS - GEARBOX COVERS AND RELATED PARTS (VAR.330283)
21.152.02		TRANSMISSION 16X16 AND 17X16 (40 KM/H), SPS - SPEED ENG. FRONT CLUTCH - OIL SUPPLY AND LUBRICAT. (VAR.330283)
21.152.03	01	TRANSMISSION 16X16 AND 17X16 (40 KM/H), SPS - SPEED ENGAGEMENT FRONT CLUTCH - HOUSING AND C2 DISKS (VAR.330283)
21.152.03	02	TRANSMISSION 16X16 AND 17X16 (40 KM/H), SPS - SPEED ENGAGEMENT FRONT CLUTCH - C1 DISKS (VAR.330283)
21.152.04	01	TRANSMISSION 16X16 AND 17X16 (40 KM/H), SPS - GEARSHIFTS GEARS (VAR.330283)
21.152.04	02	TRANSMISSION 16X16 AND 17X16 (40 KM/H), SPS - REVERSER GEARS (VAR.330283)
21.152.04	03	TRANSMISSION 16X16 AND 17X16 (40 KM/H), SPS - GEARSHIFTS GEARS (STD + VAR.330247 / 743766; VAR.330291 / 743764; VAR.335245 / 743673)
21.152.05	01	TRANSMISSION 16X16 AND 17X16 (40 KM/H), SPS - SPEED ENGAGEMENT REAR CLUTCH - C3 DISKS (VAR.330283)
21.152.05	02	TRANSMISSION 16X16 AND 17X16 (40 KM/H), SPS - SPEED ENGAGEMENT REAR CLUTCH - HOUSING AND C4 DISKS (VAR.330283)
21.152.05	03	TRANSMISSION 16X16 AND 17X16 (40 KM/H), SPS - SPEED ENGAGEMENT REAR CLUTCH - SUPPORT AND MANIFOLD (VAR.330283)
21.152.06		TRANSMISSION 16X16 AND 17X16 (40 KM/H), SPS - REDUCTION GEAR (STD + VAR.330247 / 743766; VAR.330291 / 743764; VAR.335245 / 743673; VAR.330283)
21.152.07		TRANSMISSION 16X16 AND 17X16 (40 KM/H), SPS - RANGE GEARSHIFT MECHANISM - ROD, FORK AND LEVER (VAR.330283)
21.152.08		TRANSMISSION 17X16 SPS - HYDRAULIC CENTRAL SPLITTER (VAR.330247 / 743766; VAR.330291 / 743764)
21.154.01	01	TRANSMISSION 24X24 (40KM/H) HI-LO - REVERSER GEARS
21.154.01	02	TRANSMISSION 24X24 (40KM/H) HI-LO - REVERSER GEARS
21.154.02	01	TRANSMISSION 24X24 (40 KM/H) HI-LO - CLUTCHES
21.154.02	02	TRANSMISSION 24X24 (40 KM/H) HI-LO - CLUTCHES
21.154.03		TRANSMISSION 24X24 (40 KM/H) HI-LO - GEARSHIFTS GEARS
21.154.04		TRANSMISSION 24X24 (40 KM/H) HI-LO - REDUCTION GEAR
21.160.01	01	CREEPER FOR TRANSMISSION 24X24/16X16 - GEARS AND SUPPORT (VAR.331330-332330 / 743736)
21.160.01	02	CREEPER FOR TRANSMISSION 24X24/16X16 - GEARSHIFT MECHANISM (VAR.331330-332330 / 743736)
21.160.03		CREEPER - ELECTROHYDRAULIC CONTROL VALVE - SOLENOID VALVES (STD + VAR.339405)

TABLE OF CONTENTS

21.900.AA	01	HYDRAULIC PUMPS GEARS
21.900.AA	02	HYDRAULIC PUMPS GEARS - ADJUSTMENT SHIMS
23.000.00		PICTORIAL INDEX - 4WD LINES
23.101.01		4WD DRIVING GEAR - DRIVE SHAFT AND GUARD
23.101.02		4WD PROPELLER SHAFT STANDARD (STD + VAR.330448-336449 / 743678)
23.101.0201		4WD PROPELLER SHAFT FOR SUSPENDED FRONT AXLE
23.101.0202		4WD PROPELLER SHAFT FOR SUPERSTEER FRONT AXLE
23.101.0203		WATERPROOFING FOR FIXED FRONT AXLE - SLEEVE, SHIELD & FLANGE (VAR.330448-336449 / 743678)
23.202.01		4WD ELECTROHYDRAULIC ENGAGEMENT - 4WD TRANSMISSION SHAFT (VAR.331333)
23.202.02		WET DIFFERENTIAL AND 4WD ENGAGEMENT CLUTCHES - SPLINED HUB AND DISKS (VAR.331333)
23.202.03		4WD DRIVING GEAR - SPLINED BUSHING AND RELATED PARTS (STD + VAR.338405-339405)
23.202.04	01	ELECTROHYDRAULIC CONTROL VALVE FOR 30 AND 40KM/H TRANSMISSION LESS CREEPER - BREAKDOWN
23.202.04	02	ELECTROHYDRAULIC CONTROL VALVE FOR 30 AND 40KM/H TRANSMISSION LESS CREEPER - BREAKDOWN
23.202.0401	01	ELECTROHYDRAULIC CONTROL VALVE FOR 40E AND 50KM/H TRANSMISSION LESS CREEPER
23.202.0401	02	ELECTROHYDRAULIC CONTROL VALVE FOR 40E AND 50KM/H TRANSMISSION LESS CREEPER - BREAKDOWN
23.202.0401	03	ELECTROHYDRAULIC CONTROL VALVE FOR 40E AND 50KM/H TRANSMISSION LESS CREEPER - BREAKDOWN
23.202.0402		ELECTROHYDRAULIC CONTROL VALVE FOR 40KM/H TRANSMISSION LESS CREEPER - BREAKDOWN (STD* + VAR.338405)
23.202.0403	01	ELECTROHYDRAULIC CONTROL VALVE FOR 30 AND 40KM/H TRANSMISSION WITH CREEPER - BREAKDOWN
23.202.0403	02	ELECTROHYDRAULIC CONTROL VALVE FOR 30 AND 40KM/H TRANSMISSION WITH CREEPER - BREAKDOWN
23.202.0404		ELECTROHYDRAULIC CONTROL VALVE FOR 40KM/H TRANSMISSION WITH CREEPER - BREAKDOWN (STD* + VAR.339405)
23.202.09		TRANSMISSION 24X24 - 16X16 - 17X16 - COVERS AND RELATED PARTS
25.000.00		PICTORIAL INDEX - FRONT MECHANICAL DRIVE
25.100.02		SUPPORT FOR 4WD STANDARD FRONT AXLE - SUPPORT
25.100.0201		SUPPORT FOR 4WD SUSPENDED FRONT AXLE - SUPPORT
25.100.0202		SUPPORT FOR 4WD SUPERSTEER FRONT AXLE - SUPPORT
25.100.0203		INTEGRATED FRONT HPL - SUPPORT FOR 4WD STANDARD FRONT AXLE (VAR.333648 / 743700; VAR.336831 / 743699)
25.100.0204		INTEGRATED FRONT HPL - SUPPORT FOR 4WD SUSPENDED FRONT AXLE (VAR.334648-335648 / 743700; VAR.337831 / 743699)
25.100.03		4WD FRONT AXLE - TRUNNIONS (STD + VAR.330408)
25.100.0301		CLASS 3 FRONT AXLE - TRUNNIONS (VAR.330409-330416-330425)
25.100.0302		CLASS 3 SUPERSTEER FRONT AXLE WITH STEERING SENSOR - TRUNNIONS (VAR.330413)
25.100.0303		CLASS 4 (3.5) SUPERSTEER FRONT AXLE WITH STEERING SENSOR - TRUNNIONS (VAR.330428)
25.100.04		CLASS 3 FRONT AXLE - HOUSING (STD + VAR.330425-330416)

TABLE OF CONTENTS

25.100.0401		CLASS 3 SUSPENDED FRONT AXLE WITH HYDRAULIC DIFFERENTIAL LOCK - HOUSING (VAR.330414-330427)
25.100.0402		CLASS 4 (3.5) FRONT AXLE W/MULTI-PLATE DIFF. LOCK AND STEERING SENSOR - HOUSING (VAR.330408)
25.100.0403		CLASS 4 (3.5) SUSPENDED FRONT AXLE W/MULTI-PLATE DIFF. LOCK AND ST. SENSOR - HOUSING (VAR.330429-330430)
25.100.0404		CLASS 3 FRONT AXLE WITH HYDRAULIC DIFFERENTIAL LOCK AND STEERING SENSOR - HOUSING (VAR.330409)
25.100.0405		CLASS 3 SUPERSTEER FRONT AXLE WITH MULTI-PLATE DIFFER. LOCK AND STEERING SENSORS - HOUSING (VAR.330413)
25.100.0406		CLASS 4 (3.5) SUPERSTEER FRONT AXLE WITH MULTI-PLATE DIFFER. LOCK AND STEERING SENSORS - HOUSING (VAR.330428)
25.100.05	01	CLASS 3 SUSPENDED FRONT AXLE WITH HYDRAULIC DIFFERENTIAL LOCK - BEARINGS AND DRIVE SHAFT CARRIER ARM (VAR.330414-330427)
25.100.05	02	CLASS 3 SUSPENDED FRONT AXLE WITH HYDRAULIC DIFFERENTIAL LOCK - ROD (VAR.330414-330427)
25.100.05	03	CLASS 3 SUSPENDED FRONT AXLE WITH HYDRAULIC DIFFERENTIAL LOCK - ROTARY SENSOR MOUNTING (VAR.330414-330427)
25.100.0501	01	CLASS 4 (3.5) SUSP. FRONT AXLE W/MULTI-PLATE DIFF. LOCK - BEARINGS AND DRIVE SHAFT CARRIER ARM (VAR.330429-330430)
25.100.0501	02	CLASS 4 (3.5) SUSPENDED FRONT AXLE W/MULTI-PLATE DIFF. LOCK AND ST. SENSOR - ROD (VAR.330429-330430)
25.100.0501	03	CLASS 4 (3.5) SUSPENDED FRONT AXLE W/MULTI-PLATE DIFF. LOCK AND ST. SENSOR - ROTARY SENSOR MOUNTING (VAR.330429-330430)
25.102.01		CLASS 3 FRONT AXLE WITH LIMITED SLIP DIFFERENTIAL LOCK - DIFFERENTIAL CARRIER AND GEARS (STD + VAR.330425)
25.102.0101		CLASS 3 SUSPENDED FRONT AXLE WITH HYDRAULIC DIFF. LOCK - DIFFERENTIAL CARRIER AND GEARS (VAR.330414-330427)
25.102.0102		CLASS 4 (3.5) FRONT AXLE W/MULTI-PLATE DIFF. LOCK AND STEERING SENSOR - DIFFER. CARRIER AND GEARS (VAR.330408)
25.102.0103		CLASS 4 (3.5) SUSPENDED FRONT AXLE W/MULTI-PLATE DIFF. LOCK - DIFFERENTIAL CARRIER AND GEARS (VAR.330429-330430)
25.102.0104		CLASS 3 FRONT AXLE WITH HYDRAULIC DIFF. LOCK - DIFFERENTIAL CARRIER AND GEARS (VAR.330409-330416)
25.102.0105	01	CLASS 3 SUPERSTEER FRONT AXLE WITH MULTI-PLATE DIFFER. LOCK - DIFFERENTIAL CARRIER AND GEARS (VAR.330413)
25.102.0105	02	CLASS 3 SUPERSTEER FRONT AXLE WITH MULTI-PLATE DIFFER. LOCK - SUPPORT DIFFERENTIAL CARRIER (VAR.330413)
25.102.0106	01	CLASS 4 (3.5) SUPERSTEER FRONT AXLE WITH MULTI-PLATE DIFFER. LOCK - DIFFERENTIAL CARRIER AND GEARS (VAR.330428)
25.102.0106	02	CLASS 4 (3.5) SUPERSTEER FRONT AXLE WITH MULTI-PLATE DIFFER. LOCK - SUPPORT DIFFERENTIAL CARRIER (VAR.330428)
25.102.02		CLASS 3 FRONT AXLE WITH LIMITED SLIP DIFF. LOCK - DIFFERENTIAL BREAKDOWN AND BEARINGS (STD + VAR.330425)
25.102.0201		CLASS 3 SUSPENDED FRONT AXLE WITH HYDR. DIFFER. LOCK - DIFFERENTIAL BREAKDOWN AND BEARINGS (VAR.330414-330427)
25.102.0202	01	CLASS 4 (3.5) FRONT AXLE W/MULTI-PLATE DIFFERENTIAL LOCK - DIFFERENTIAL BREAKDOWN AND BEARINGS (VAR.330408)
25.102.0202	02	CLASS 4 (3.5) FRONT AXLE W/MULTI-PLATE DIFF. LOCK AND STEERING SENSOR - DIFFERENTIAL LOCK (VAR.330408)
25.102.0203	01	CLASS 4 (3.5) SUSPENDED FRONT AXLE W/MULTI-PLATE DIFF. LOCK - DIFFERENTIAL BREAKDOWN AND BEARINGS (VAR.330429-330430)
25.102.0203	02	CLASS 4 (3.5) SUSPENDED FRONT AXLE W/MULTI-PLATE DIFF. LOCK AND ST. SENSOR - DIFFERENTIAL LOCK (VAR.330429-330430)
25.102.0204		CLASS 3 FRONT AXLE WITH HYDRAULIC DIFF. LOCK - DIFFERENTIAL BREAKDOWN AND BEARINGS (VAR.330409-330416)
25.102.0205	01	CLASS 3 SUPERSTEER FRONT AXLE WITH MULTI-PLATE DIFFER. LOCK - DIFFERENTIAL BREAKDOWN AND BEARINGS (VAR.330413)

TABLE OF CONTENTS

25.102.0205	02	CLASS 3 SUPERSTEER FRONT AXLE WITH MULTI-PLATE DIFFER. LOCK - DIFFERENTIAL LOCK (VAR.330413)
25.102.0206	01	CLASS 4 (3.5) SUPERSTEER FRONT AXLE WITH MULTI-PLATE DIFF. LOCK - DIFFERENT. BREAKDOWN AND BEARINGS (VAR.330428)
25.102.0206	02	CLASS 4 (3.5) SUPERSTEER FRONT AXLE WITH MULTI-PLATE DIFFER. LOCK - DIFFERENTIAL LOCK (VAR.330428)
25.102.03		CLASS 3 FRONT AXLE WITH LIMITED SLIP DIFF. LOCK - BEVEL GEAR AND ADJUSTING SHIMS (STD + VAR.330425)
25.102.0301		CLASS 3 SUSPENDED FRONT AXLE WITH HYDR. DIFFER. LOCK - BEVEL GEAR AND ADJUSTING SHIMS (VAR.330414-330427)
25.102.0302		CLASS 4 (3.5) FRONT AXLE W/MULTI-PLATE DIFF. LOCK - BEVEL GEAR AND ADJUSTING SHIMS (VAR.330408)
25.102.0303		CLASS 4 (3.5) SUSPENDED FRONT AXLE W/MULTI-PLATE DIFF. LOCK AND - BEVEL GEAR AND ADJUSTING SHIMS (VAR.330429-330430)
25.102.0304		CLASS 3 FRONT AXLE WITH HYDRAULIC DIFF. LOCK - BEVEL GEAR AND ADJUSTING SHIMS (VAR.330409-330416)
25.102.0305		CLASS 3 SUPERSTEER FRONT AXLE WITH MULTI-PLATE DIFFER. LOCK - BEVEL GEAR AND ADJUSTING SHIMS (VAR.330413)
25.102.0306		CLASS 4 (3.5) SUPERSTEER FRONT AXLE WITH MULTI-PLATE DIFFER. LOCK - BEVEL GEAR AND ADJUSTING SHIMS (VAR.330428)
25.102.04		CLASS 3 SUSPENDED FRONT AXLE WITH HYDR. DIFFER. LOCK AND STEERING SENSOR - DIFFERENTIAL LOCK (VAR.330414-330427)
25.102.0401		CLASS 3 FRONT AXLE WITH HYDRAULIC DIFF. LOCK - DIFFERENTIAL LOCK (VAR.330409-330416)
25.102.05		CLASS 3 SUSPENDED FRONT AXLE WITH HYDRAULIC DIFF. LOCK - FRONT DIFF. LOCK PIPES AND SOLENOID VALVE (VAR.330414-330427)
25.102.0501		CLASS 4 (3.5) FRONT AXLE W/MULTI-PLATE DIFF. LOCK - FRONT DIFFERENTIAL LOCK PIPES AND SOLENOID VALVE (VAR.330408)
25.102.0502		CLASS 4 (3.5) SUSP. FRONT AXLE W/MULTI-PLATE DIFF. LOCK - FRONT DIFF. LOCK PIPES AND SOLENOID VALVE (VAR.330429-330430)
25.102.0503		CLASS 3 FRONT AXLE WITH HYDRAULIC DIFF. LOCK - FRONT DIFFERENTIAL LOCK PIPES AND SOLENOID VALVE (VAR.330409-330416)
25.102.0504		CLASS 3 SUPERSTEER FRONT AXLE WITH STEERING SENSOR - FRONT DIFFERENTIAL LOCK PIPES AND SOLENOID VALVE (VAR.330413)
25.102.0505		CLASS 4 (3.5) SUPERSTEER FRONT AXLE WITH STEERING SENSOR - FRONT DIFF. LOCK PIPES AND SOLENOID VALVE (VAR.330428)
25.108.01		CLASS 3 FRONT AXLE WITH LIMITED SLIP DIFF. LOCK - STEERING KNUCKLES AND HUBS (STD + VAR.330416)
25.108.0101		CLASS 3 SUSPENDED FRONT AXLE WITH HYDR. DIFFER. LOCK AND STEERING SENSOR - STEERING KNUCKLES AND HUBS (VAR.330414)
25.108.0102		CLASS 3 SUSPENDED FRONT AXLE WITH HYDR. DIFFER. LOCK - STEERING KNUCKLES AND HUBS (VAR.330427)
25.108.0103		CLASS 4 (3.5) FRONT AXLE W/MULTI-PLATE DIFF. LOCK AND STEERING SENSOR - STEERING KNUCKLES AND HUBS (VAR.330408)
25.108.0104		CLASS 4 (3.5) SUSPENDED FRONT AXLE W/MULTI-PLATE DIFF. LOCK - STEERING KNUCKLES AND HUBS (VAR.330429)
25.108.0105		CLASS 4 (3.5) SUSPENDED FRONT AXLE W/MULTI-PLATE DIF. LOCK, ST. SENSOR - STEERING KNUCKLES AND HUBS (VAR.330430)
25.108.0106		CLASS 3 FRONT AXLE WITH LIMITED SLIP DIFF. LOCK AND BRAKES - STEERING KNUCKLES AND HUBS (VAR.330425)
25.108.0107		CLASS 3 FRONT AXLE WITH HYDR. DIFFER. LOCK AND STEERING SENSOR - STEERING KNUCKLES AND HUBS (VAR.330409)
25.108.0108		CLASS 3 SUPERSTEER FRONT AXLE WITH MULTI-PLATE DIF. LOCK AND ST. SENSOR - STEERING KNUCKLES AND HUBS (VAR.330413)
25.108.0109		CLASS 4 (3.5) SUPERSTEER FRONT AXLE WITH MULTI-PLATE DIF. LOCK AND - STEERING KNUCKLES AND HUBS (VAR.330428)
25.108.02	01	CLASS 3 FRONT AXLE WITH LIMITED SLIP DIFF. LOCK - GEARS AND DIFFERENTIAL AXLE

TABLE OF CONTENTS

25.108.02	02	FRONT AXLE - AXLE-SHAFT ARTICULATED - BREAKDOWN
25.108.0201	01	CLASS 3 SUSPENDED FRONT AXLE WITH HYDR. DIFFER. LOCK AND STEERING SENSOR - GEARS AND DIFF. AXLE (VAR.330414)
25.108.0201	02	CLASS 3 SUSPENDED FRONT AXLE WITH HYDR. DIFFER. LOCK - AXLE-SHAFT ARTICULATED - BREAKDOWN (VAR.330409-330414-330416)
25.108.0202	01	CLASS 3 SUSPENDED FRONT AXLE WITH HYDR. DIFF. LOCK AND STEERING SENSOR - GEARS AND DIFF. AXLE (VAR.330427)
25.108.0202	02	CLASS 3 SUSPENDED FRONT AXLE WITH HYDR. DIFFER. LOCK - AXLE-SHAFT ARTICULATED - BREAKDOWN (VAR.330427)
25.108.0203	01	CLASS 4 (3.5) FRONT AXLE W/MULTI-PLATE DIFF. LOCK AND STEERING SENSOR - GEARS AND DIFFERENTIAL AXLE (VAR.330408)
25.108.0203	02	CLASS 4 (3.5) FRONT AXLE W/MULTI-PLATE DIFF. LOCK AND STEERING SENS. - AXLE-SHAFT ARTICULATED - BREAKDOWN (VAR.330408-330428-330429-330430)
25.108.0204		CLASS 4 (3.5) SUSPENDED FRONT AXLE W/MULTI-PLATE DIFF. LOCK, ST. SENSOR - GEARS AND DIFFER. AXLE (VAR.330429)
25.108.0205		CLASS 4 (3.5) SUSPENDED FRONT AXLE W/MULTI-PLATE DIFF. LOCK, ST. SENSOR - GEARS AND DIFFER. AXLE (VAR.330430)
25.108.0206	01	CLASS 3 FRONT AXLE WITH LIMITED SLIP DIFF. LOCK AND BRAKES - GEARS AND DIFFERENTIAL AXLE (VAR.330425)
25.108.0206	02	CLASS 3 FRONT AXLE WITH LIMITED SLIP DIFF. LOCK AND BRAKES - AXLE SHAFT ARTICULATED - BREAKDOWN (VAR.330425)
25.108.0207		CLASS 3 FRONT AXLE WITH HYDRAULIC DIFF. LOCK - GEARS AND DIF. AXLE (VAR.330409-330416)
25.108.0208	01	CLASS 3 SUPERSTEER FRONT AXLE WITH MULTI-PLATE DIF. LOCK AND STEERING SENSORS - GEARS AND DIF. AXLE (VAR.330413)
25.108.0208	02	CLASS 3 SUPERSTEER FRONT AXLE WITH MULTI-PLATE DIF. LOCK - AXLE SHAFT ARTICULATED - BREAKDOWN (VAR.330413)
25.108.0209		CLASS 4 (3.5) SUPERSTEER FRONT AXLE WITH MULTI-PLATE DIF. LOCK - GEARS AND DIF. AXLE (VAR.330428)
25.122.01	01	CLASS 3 SUSP. FRONT AXLE WITH HYDR. DIFF. LOCK AND STEERING SENSOR - VALVE SUSPEN. CONTROL AND PIPES (VAR.330414-330427)
25.122.01	02	SUSPENSION CONTROL VALVE - BREAKDOWN
25.122.0101		CLASS 4 (3.5) SUSPENDED FRONT AXLE W/MULTI-PLATE DIFF. LOCK - VALVE SUSPENSION CONTROL AND PIPES (VAR.330429-330430)
25.122.02	01	CLASS 3 SUSP. FRONT AXLE WITH HYDR. DIFFER. LOCK AND STEERING SENSOR - HYDR. CONTROL VALVE AND LINES (VAR.330414-330427)
25.122.02	02	CLASS 3 SUSP. FRONT AXLE WITH HYDR. DIFFER. LOCK AND STEERING SENSOR - CYLINDER AND PIPES (VAR.330414-330427)
25.122.0201	01	CLASS 4 (3.5) SUSPENDED FRONT AXLE W/MULTI-PLATE DIFF. LOCK - VALVE SUSPENSION CONTROL AND PIPES (VAR.330429-330430)
25.122.0201	02	CLASS 4 (3.5) SUSPENDED FRONT AXLE W/MULTI-PLATE DIFF. LOCK AND ST. SENSOR- CYLINDER AND PIPES (VAR.330429-330430)
25.122.03		CLASS 3 SUSPENDED FRONT AXLE WITH HYDR. DIFFER. LOCK AND STEERING SENSOR - PIPES (VAR.330414-330427)
25.122.0301		CLASS 4 (3.5) SUSPENDED FRONT AXLE WITH HYDR. DIFFER. LOCK AND STEERING SENSOR - PIPES (VAR.330429-330430)
27.000.00		PICTORIAL INDEX - REAR DRIVE AXLE
27.100.01		REAR AXLE HOUSING AND RELATED PARTS (STD + VAR.330247 / 743766; VAR.330291 / 743764; VAR.331908; VAR.330909-331909 / 743811; VAR.335245 / 743673; VAR.331330-332330 / 743736; VAR.332805)
27.100.02		TRANSMISSION OIL - OIL LEVEL INDICATOR (VAR.331836-332836-333836-335836-336835-337835-338835-339835 / 743744)
27.106.01		DIFFERENTIAL GEARS WITH MECHANICAL LOCK - DIFFERENTIAL SUPPORT
27.106.0101		DIFFERENTIAL GEARS WITH HYDRAULIC LOCK - DIFFERENTIAL SUPPORT (VAR.331333)

TABLE OF CONTENTS

27.106.02		DIFFERENTIAL GEARS WITH MECHANICAL LOCK
27.106.0201		DIFFERENTIAL GEARS WITH HYDRAULIC LOCK (VAR.331333)
27.106.03		DIFFERENTIAL LOCK - OIL DELIVERY PIPE AND CONTROL VALVE
27.106.04	01	TRANSMISSION 24X24 (40 KM/H) HI-LO - PINION AND CROWN GEAR (STD + VAR.335245 / 743673; VAR.330247 / 743766; VAR.330291 / 743764)
27.106.04	02	TRANSMISSION 24X24 (40 KM/H) HI-LO - PINION ADJUSTING SHIMS (STD + VAR.335245 / 743673; VAR.330247 / 743766; VAR.330291 / 743764)
27.120.01		HEAVY DUTY REAR FINAL DRIVES - HOUSING (STD + VAR.330331-331331)
27.120.02		HEAVY DUTY REAR FINAL DRIVES - GEARS AND AXLE-SHAFT
27.120.0201		REAR HEAVY DUTY 98" BAR AXLES - GEARS AND AXLE-SHAFT (VAR.330331-331331)
31.000.00		PICTORIAL INDEX - IMPLEMENT POWER TAKE-OFF
31.104.01		2 SPEED REAR PTO - PTO SPEED CONTROL
31.104.0101		3 SPEED REAR PTO - PTO SPEED CONTROL (STD + VAR.330801 - 332805)
31.104.0102		POWER TAKE-OFF WITH GROUND SPEED - GROUND SPEED CONTROL (VAR.331802-332802 / 743679)
31.104.02		REAR ELECTROHYDRAULIC PTO CONTROL - ELECTROHYDRAULIC CONTROL VALVE - SOLENOID VALVES (STD + VAR.338405-339405)
31.104.03		REAR AXLE HOUSING, INNER PIPES
31.104.04		HYDRAULIC PUMP 80 L/MIN FD - PTO LUBRICATION PIPES
31.104.0401		HYDRAULIC PUMP 80 L/MIN FD FOR SPS - PTO LUBRICATION PIPES
31.104.0402		HYDRAULIC PUMP 113 L/MIN CCLS FOR SPS - PTO LUBRICATION PIPES FOR 30 KM/H AND 40 KM/H (VAR.331836-332836-336835-337835 / 743744)
31.104.0403		HYDRAULIC PUMP 113 L/MIN CCLS FOR SPS - PTO LUBRICATION PIPES FOR 40E KM/H AND 50 KM/H (VAR.333836-335836-338835-339835 / 743744)
31.104.05		GROUND SPEED PTO - SHAFTS AND GEARS (VAR.331802-332802 / 743679)
31.104.06	01	GROUND SPEED PTO - LEVERS AND RELATED PARTS (VAR.331802-332802 / 743679)
31.104.06	02	GROUND SPEED PTO - SUPPORT ASSEMBLY WITH VALVE (VAR.331802-332802 / 743679)
31.114.01		TRANSMISSION 24X24 (40KM/H) HI-LO - INPUT SHAFT
31.114.02		2 SPEED REAR PTO - CONTROL SHAFT AND CLUTCH (STD + VAR.330800)
31.114.0201		2 SPEED REAR PTO - CONTROL SHAFT FOR CREEPER OR GROUND SPEED PTO (VAR.331330-332330 / 743736; VAR.331802-332802 / 743679)
31.114.03		2 SPEED REAR PTO - BAND BRAKE (STD + VAR.330800)
31.114.04		2 SPEED REAR PTO - GEARS, DRIVEN SHAFT AND OUTPUT SHAFT
31.114.0401		2 SPEED REAR PTO WITH REVERSABLE SHAFT - GEARS, DRIVEN SHAFT AND OUTPUT SHAFT (VAR.330800)
31.114.0403		ADDITIONAL 21 SPLINE STUB SHAFT - OUTPUT SHAFT (VAR.330809)
31.114.05		2 SPEED REAR PTO - SPEED SELECTION INTERNAL CONTROLS
31.114.0501		2 SPEED REAR PTO WITH REVERSABLE SHAFT - SPEED SELECTION INTERNAL CONTROLS (VAR.330800)
31.114.06		2 SPEED REAR PTO - PTO CASE AND INTERNAL COVER
31.114.0601		2 SPEED REAR PTO WITH REVERSABLE SHAFT - PTO CASE AND INTERNAL COVER (VAR.330800)

TABLE OF CONTENTS

31.114.07		PTO 540/1000 RPM - POWER TAKE-OFF SHAFT COVER (STD + VAR.330915-330934-330937-331943-331945)
31.114.0701		PTO 540/1000 RPM - POWER TAKE-OFF SHAFT COVER (VAR.330938-330939-330940-330942-332954)
31.116.0101		TRANSMISSION 16X16 AND 17X16 (40 KM/H), SPS - INPUT SHAFT (VAR.330283)
31.116.02		3 SPEED REAR PTO - CONTROL SHAFT AND CLUTCH (STD + VAR.330801-332805)
31.116.03		3 SPEED REAR PTO - BAND BRAKE (STD + VAR.330801-332805)
31.116.04		3 SPEED REAR PTO - GEARS, DRIVEN SHAFT AND OUTPUT SHAFT (STD + VAR.330801)
31.116.0402		WATERPROOFING FOR FIXED FRONT AXLE - SEALS (VAR.330448-336449 / 743678)
31.116.0403		3 SPEED REAR PTO - GEARS, DRIVEN SHAFT AND OUTPUT SHAFT - VAR.332805
31.116.05		3 SPEED REAR PTO - SPEED SELECTION INTERNAL CONTROLS (STD + VAR.330801-332805)
31.116.06		3 SPEED REAR PTO - PTO CASE AND INTERNAL COVER (STD + VAR.330801-332805)
31.142.01	01	INTEGRATED FRONT HPL WITH PTO - CYLINDER (VAR.333648-334648-335648 / 743700)
31.142.01	02	FRONT POWER TAKE-OFF - CYLINDER - BREAKDOWN (VAR.333648-334648-335648 / 743700)
31.142.02		INTEGRATED FRONT HPL WITH PTO - PIPES (VAR.333648-334648-335648 / 743700)
31.142.0201		INTEGRATED FRONT HPL WITH PTO - PIPES (VAR.333648-334648 / 743700)
31.146.01	01	INTEGRATED FRONT HPL WITH PTO - PTO AND CLUTCH (VAR.333648-334648-335648-332647-333647 / 743700)
31.146.01	02	INTEGRATED FRONT HPL WITH PTO - GUARDS (VAR.333648-334648-335648-332647-333647 / 743700)
31.146.01	03	FRONT POWER TAKE-OFF - PTO - BREAKDOWN (VAR.333648-334648-335648 / 743700)
31.146.01	04	FRONT POWER TAKE-OFF - CLUTCH - BREAKDOWN (VAR.333648-334648-335648 / 743700)
33.000.00		PICTORIAL INDEX - BRAKES AND CONTROLS
33.110.01		PARKING BRAKE
33.110.02	01	HANDBRAKE CONTROL (STD + VAR.330658-331658-331659-333679) - END YR 07-OCT-2015
33.110.02	01A	HANDBRAKE CONTROL (STD + VAR.330658-330709-330710-331658-331659-331709-333679) - BEGIN YR 08-OCT-2015
33.110.0201		TRAILER HAND BRAKE BRACKET - ITALY (VAR.330895)
33.202.01		BRAKE FLUID TANK (STD + VAR.330658-331658-331659-333679)
33.202.02		BRAKE MASTER CYLINDERS AND PIPES (STD + VAR.330658-331658-331659)
33.202.0201		BRAKE MASTER CYLINDER AND PIPES FOR CAB SUSPENSION AND HYDRAULIC PUMP 80 L/MIN FD (STD* + VAR.333679)
33.202.03		REAR BRAKE PIPES
33.202.0301		HYDRAULIC PUMP 113 L/MIN CCLS FOR SPS - REAR BRAKE PIPES (VAR.331836-332836-333836-335836-336835-337835-338835-339835 / 743744)
33.202.04		HYDRAULIC PUMP 113 L/MIN CCLS FOR SPS - BRAKE LUBRICATION PIPES (VAR.331836-332836-333836-335836-336835-337835-338835-339835 / 743744)
33.202.05		REAR AXLE - BRAKES (STD + VAR.333166 + VAR.331836-332836-333836-335836-336835-337835-338835-339835 / 743744)
33.202.06		BRAKE PEDALS (STD + VAR.330973)
33.204.01		CLASS 3 SUSPENDED FRONT AXLE WITH HYDR. DIFFER. LOCK, STEERING SENSOR AND BRAKES - BRAKES (VAR.330427)

TABLE OF CONTENTS

33.204.0101		CLASS 4 (3.5) SUSPENDED FRONT AXLE W/MULTI-PLATE DIFF. LOCK, ST. SENSOR AND BRAKES - BRAKES (VAR.330430)
33.204.0102		CLASS 3 FRONT AXLE WITH LIMITED SLIP DIFF. LOCK AND BRAKES - BRAKES (VAR.330425)
33.204.02	01	CLASS 3 SUSPENDED FRONT AXLE WITH HYDR. DIFFER. LOCK, STEERING SENSOR AND BRAKES - BRAKES PIPES (VAR.330427)
33.204.02	02	CLASS 3 SUSPENDED FRONT AXLE WITH HYDRAULIC DIFF. LOCK AND BRAKES - BRAKES PIPES AND VALVE (VAR.330427)
33.204.0201	01	CLASS 4 (3.5) SUSPENDED FRONT AXLE W/MULTI-PLATE DIFF. LOCK, ST. SENSOR AND BRAKES - BRAKES PIPES (VAR.330430)
33.204.0201	02	CLASS 4 (3.5) SUSPENDED FRONT AXLE WITH HYDRAULIC DIFF. LOCK AND BRAKES - BRAKES PIPES AND VALVE (VAR.330430)
33.204.0202	01	CLASS 3 FRONT AXLE WITH LIMITED SLIP DIFF. LOCK AND BRAKES - BRAKES PIPES (VAR.330425)
33.204.0202	02	CLASS 3 FRONT AXLE WITH LIMITED SLIP DIFF. LOCK AND BRAKES - BRAKES PIPES AND VALVE (VAR.330425)
33.204.03		BRAKING SYSTEM LOGIC VALVE - VALVE PIPES (VAR.330720)
33.220.01		UNIVERSAL TRAILER BRAKE VALVE - VALVE PIPES (VAR.330718)
33.220.0101	01	TRAILER BRAKE VALVE (ITALY) - VALVE PIPES (VAR.330723-331723 / 743691)
33.220.0101	02	TRAILER BRAKE VALVE - BREAKDOWN (VAR.330723-331723 / 743691)
33.220.02		TRAILER BRAKE QUICK COUPLING SUPPORT
33.224.01		PNEUMATIC TRAILER BRAKE - AIR COMPRESSOR - BRACKET AND BELT (VAR.332727-332737-332739)
33.224.02	01	PNEUMATIC TRAILER BRAKE - AIR COMPRESSOR - PIPES (VAR.332727-332737-332739)
33.224.02	02	PNEUMATIC TRAILER BRAKE - AIR DRYER AND PIPES (VAR.332727-332737-332739)
33.224.03		PNEUMATIC TRAILER BRAKE - TANKS AND PIPES (VAR.332727-332737)
33.224.0301		PNEUMATIC TRAILER BRAKE - TANKS AND PIPES (VAR.332739)
33.224.04	01	PNEUMATIC TRAILER BRAKE - TOWING BRAKE CONTROL VALVE, PIPES AND RELATED COMPONENTS (VAR.332727-332737)
33.224.04	02	PNEUMATIC TRAILER BRAKE - REGULATORS, SOLENOID VALVES AND PIPES (VAR.332727-332737)
33.224.0401	01	PNEUMATIC TRAILER BRAKE - TOWING BRAKE CONTROL VALVE, PIPES AND RELATED COMPONENTS (VAR.332739)
33.224.0401	02	PNEUMATIC TRAILER BRAKE - REGULATORS, SOLENOID VALVES AND PIPES (VAR.332739)
33.224.05		PNEUMATIC TRAILER BRAKE (UK) - QUICK HITCH AND PIPES (VAR.332737)
33.224.0501		PNEUMATIC TRAILER BRAKE (UNIVERSAL) - QUICK HITCH AND PIPES (VAR.332727)
33.224.0502		PNEUMATIC TRAILER BRAKE (ITALY) - QUICK HITCH AND PIPES (VAR.332739)
35.000.00		PICTORIAL INDEX - HYDRAULIC SYSTEM
35.100.01		HYDRAULIC PUMP 80 L/MIN FD - FILTER
35.104.01		HYDRAULIC PUMP 80 L/MIN FD - PUMP
35.106.01		HYDRAULIC PUMP 80 L/MIN FD - PIPES
35.106.0101	01	HYDRAULIC PUMP 113 L/MIN CCLS FOR SPS - PUMP AND PIPES (VAR.331836-332836-333836-335836-336835-337835-338835-339835 / 743744)
35.106.0101	02	HYDRAULIC PUMP 113 L/MIN CCLS FOR SPS - PIPES (VAR.331836-332836-333836-335836-336835-337835-338835-339835 / 743744)
35.106.0101	03	HYDRAULIC PUMP 113 L/MIN CCLS FOR SPS - PIPES (VAR.331836-332836-333836-335836-336835-337835-338835-339835 / 743744)

TABLE OF CONTENTS

35.110.01		EDC WITH TWO EXTERNAL CYLINDERS - LIFTER, HOUSING AND COVERS (STD + VAR.330909-331909 / 743811; VAR.331908)
35.110.02		EDC WITH TWO EXTERNAL CYLINDERS - LIFT ARMS AND ROCKSHAFT (STD + VAR.330909 / 743811)
35.110.0201		EDC WITH TWO EXTERNAL CYLINDERS - LIFT ARMS AND ROCKSHAFT (STD* + VAR.331909 / 743811; VAR.331908)
35.116.01		HYDRAULIC POWER LIFT - CYLINDERS (80MM/90MM) (STD + VAR.330909-331909 / 743811; VAR.331908)
35.120.01		TOOLING CONNECTION UNIT - SUPPORT (STD + VAR.330909-331909 / 743811; VAR.331908)
35.120.02	01	TOOLING CONNECTION UNIT - LOWER ARMS (STD + VAR.330921-331921 / 743696; VAR.332923)
35.120.02	02	END ASSEMBLY, BREAKDOWN
35.120.0201		CAT.2/3 FLEXIBLE LINKS - LOWER ARMS (VAR.331920)
35.120.0202		CAT.2 FLEXIBLE LINKS - LOWER ARMS (VAR.331970)
35.120.03		TOOLING CONNECTION UNIT - LINKAGE DRAWBAR (VAR.330933)
35.120.04	01	TOOLING CONNECTION UNIT - ADJUSTABLE LIFT-RODS
35.120.04	02	ADJUSTABLE LIFT-ROD - BREAKDOWN
35.120.05		TOOLING CONNECTION UNIT - TOP LINK
35.120.0501	01	CAT.2/3 FLEXIBLE LINKS - TOP LINK (VAR.331920) - END YR 30-SEP-2013
35.120.0501	01A	CAT.2/3 FLEXIBLE LINKS - TOP LINK (VAR.331920) - BEGIN YR 01-OCT-2013
35.120.0502	01	CAT.2 FLEXIBLE LINKS - TOP LINK (VAR.331970) - END YR 30-SEP-2013
35.120.0502	01A	CAT.2 FLEXIBLE LINKS - TOP LINK (VAR.331970) - BEGIN YR 01-OCT-2013
35.120.06		MECHANICAL STABILIZERS SCREW TYPE ADJUSTMENT
35.120.0601		MECHANICAL STABILIZERS PIN TYPE ADJUSTMENT (VAR.330945)
35.120.0602	01	AUTOMATIC LINKAGE STABILIZER (VAR.330949 / 743697) - END YR 12-FEB-2013
35.120.0602	01A	AUTOMATIC LINKAGE STABILIZER (VAR.330949 / 743697) - BEGIN YR 13-FEB-2013
35.124.04	01	TOOLING CONNECTION UNIT - HYDRAULIC LIFT LINK
35.124.04	02	HYDRAULIC LIFT LINK - BREAKDOWN
35.124.05	01	CAT.2/3 QUICK ATTACH LINKS FOR HYDRAULIC LINKAGE ADJUSTMENT - TOP LINK (VAR.330921-331921 / 743696; VAR.332923) - END YR 30-SEP-2013
35.124.05	01A	CAT.2/3 QUICK ATTACH LINKS FOR HYDRAULIC LINKAGE ADJUSTMENT - TOP LINK (VAR.330921-331921 / 743696; VAR.332923) - BEGIN YR 01-OCT-2013
35.124.05	02	THIRD- LINK SPRAG - BREAKDOWN - END YR 30-SEP-2013
35.124.05	02A	THIRD - LINK SPRAG - BREAKDOWN - BEGIN YR 01-OCT-2013
35.124.08	01	4 MECHANICAL REAR REMOTE CONTROL VALVES WITH DIVERTER - CHANGEOVER VALVE AND PIPES (VAR.334845 / 743685)
35.124.08	02	CHANGEOVER VALVE - BREAKDOWN (VAR. 334845 / 743685; VAR. 331862 / 743733)
35.124.0801		4 ELECTROHYDRAULIC REAR REMOTE CONTROL VALVES WITH DIVERTER - CONTROL VALVE CONTROL (VAR.331862 / 743733)
35.124.09		CAT.2/3 QUICK ATTACH LINKS FOR HYDRAULIC LINKAGE ADJUSTMENT - PIPES (VAR.330921-331921 / 743696; VAR.332923)
35.130.02		EDC WITH TWO EXTERNAL CYLINDERS - POTENTIOMETER (STD. + VAR.330909-331909 / 743811; VAR.331908)

TABLE OF CONTENTS

35.138.01		ELECTRONIC DRIFT CONTROL VALVE ELEMENT - BREAKDOWN
35.160.01		INTEGRATED FRONT HPL - PIPES AND ACCUMULATOR (VAR.333648-334648-335648 / 743700; VAR.336831-337831 / 743699)
35.160.02		TUBES FOR FRONT HPL FROM ELECTROHYDRAULIC REMOTE VALVES (VAR.331926)
35.160.0201		TUBES FOR FRONT HPL FROM MECHANICAL REMOTE VALVES (VAR.330926)
35.162.01		INTEGRATED FRONT HPL - CYLINDERS AND SUPPORT (VAR.333648-334648-335648 / 743700; VAR.336831-337831 / 743699)
35.166.01	01	INTEGRATED FRONT HPL - IMPLEMENT ATTACHMENT (VAR.333648-334648-335648 / 743700; VAR.336831-337831 / 743699)
35.166.01	02	INTEGRATED FRONT HPL - LIFTING ARMS - BREAKDOWN (VAR.333648-334648-335648 / 743700; VAR.336831-337831 / 743699)
35.166.01	03	INTEGRATED FRONT HPL - THIRD-LINK SPRAG - BREAKDOWN (VAR.333648-334648-335648 / 743700; VAR.336831-337831 / 743699)
35.204.01	01	2 MECHANICAL REAR REMOTE CONTROL VALVES (NON CONFIGURABLE) WITH PUMP 80 L/MIN FD - DISTRIBUTOR, COVER AND OIL COLLECTOR
35.204.01	02	2 MECHANICAL REAR REMOTE CONTROL VALVES (NON CONFIGURABLE) WITH PUMP 80 L/MIN FD - DISTRIBUTOR - BREAKDOWN
35.204.0101	01	3 ELECTROHYDRAULIC REAR REMOTE CONTROL VALVES WITH PUMP 113 L/MIN CCLS - DISTRIBUTOR, COVER AND OIL COLLECTOR (STD + VAR.330856 / 743686)
35.204.0101	02	3 ELECTROHYDRAULIC REAR REMOTE CONTROL VALVES WITH PUMP 113 L/MIN CCLS - DISTRIBUTOR - BREAKDOWN (STD + VAR.330856 / 743686)
35.204.0102	01	3 ELECTROHYDRAULIC REAR REMOTE CONTROL VALVES WITH "POWER BEYOND" WITH PUMP 113 L/MIN CCLS - DISTRIBUTOR, COVER AND OIL COLLECTOR (STD + VAR.331856 / 743686)
35.204.0102	02	3 ELECTROHYDRAULIC REAR REMOTE CONTROL VALVES WITH "POWER BEYOND" WITH PUMP 113 L/MIN CCLS - DISTRIBUTOR - BREAKDOWN (STD + VAR.331856 / 743686)
35.204.0103	01	4 ELECTROHYDRAULIC REAR REMOTE CONTROL VALVES WITH PUMP 113 L/MIN CCLS - DISTRIBUTOR, COVER AND OIL COLLECTOR (STD + VAR.330862 / 743733)
35.204.0103	02	4 ELECTROHYDRAULIC REAR REMOTE CONTROL VALVES WITH PUMP 113 L/MIN CCLS - DISTRIBUTOR - BREAKDOWN (STD + VAR.330862 / 743733)
35.204.0104	01	4 ELECTROHYDRAULIC REAR REMOTE CONTROL VALVES WITH PUMP 113 L/MIN CCLS AND FRONT LINKAGE CTRL - DISTRIBUTOR, COVER AND OIL COLLECTOR (STD + VAR.338851 / 743733)
35.204.0104	02	4 ELECTROHYDRAULIC REAR REMOTE CONTROL VALVES WITH PUMP 113 L/MIN CCLS AND FRONT LINKAGE CTRL - DISTRIBUTOR - BREAKDOWN (STD + VAR.338851 / 743733)
35.204.0105	01	4 ELECTROHYDRAULIC REAR REMOTE CONTROL VALVES WITH DIVERTER WITH PUMP 113 L/MIN CCLS - DISTRIBUTOR, COVER AND OIL COLLECTOR (STD + VAR.331862 / 743733)
35.204.0105	02	4 ELECTROHYDRAULIC REAR REMOTE CONTROL VALVES WITH DIVERTER WITH PUMP 113 L/MIN CCLS - DISTRIBUTOR - BREAKDOWN (STD + VAR.331862 / 743733)
35.204.0106	01	2 MECHANICAL REAR REMOTE CONTROL VALVES (NON CONFIGURABLE) WITH PUMP 113 L/MIN CCLS - DISTRIBUTOR, COVER AND OIL COLLECTOR (STD + VAR.332851)
35.204.0106	02	2 MECHANICAL REAR REMOTE CONTROL VALVES (NON CONFIGURABLE) WITH PUMP 113 L/MIN CCLS - DISTRIBUTOR - BREAKDOWN (STD + VAR.332851)
35.204.0107	01	2 MECHANICAL REAR REMOTE CONTROL VALVES (CONFIGURABLE) WITH PUMP 80 L/MIN FD - DISTRIBUTOR, COVER AND OIL COLLECTOR (STD + VAR.330849 / 743740)
35.204.0107	02	2 MECHANICAL REAR REMOTE CONTROL VALVES (CONFIGURABLE) WITH PUMP 80 L/MIN FD - DISTRIBUTOR - BREAKDOWN (STD + VAR.330849 / 743740)
35.204.0108	01	2 MECHANICAL REAR REMOTE CONTROL VALVES (CONFIGURABLE) WITH PUMP 113 L/MIN CCLS - DISTRIBUTOR, COVER AND OIL COLLECTOR (STD + VAR.331849 / 743740)
35.204.0108	02	2 MECHANICAL REAR REMOTE CONTROL VALVES (CONFIGURABLE) WITH PUMP 113 L/MIN CCLS - DISTRIBUTOR - BREAKDOWN (STD + VAR.331849 / 743740)
35.204.0109	01	3 MECHANICAL REAR REMOTE CONTROL VALVES (1 NON CONFIGURABLE) WITH PUMP 80 L/MIN FD - DISTRIBUTOR, COVER AND OIL COLLECTOR (STD + VAR.331844 / 743741)
35.204.0109	02	3 MECHANICAL REAR REMOTE CONTROL VALVES (1 NON CONFIGURABLE) WITH PUMP 80 L/MIN FD - DISTRIBUTOR - BREAKDOWN (STD + VAR.331844 / 743741)
35.204.0110	01	3 MECHANICAL REAR REMOTE CONTROL VALVES (1 NON CONFIGURABLE) WITH PUMP 113 L/MIN CCLS - DISTRIBUTOR, COVER AND OIL COLLECTOR (STD + VAR.333844 / 743741)

TABLE OF CONTENTS

35.204.0110	02	3 MECHANICAL REAR REMOTE CONTROL VALVES (1 NON CONFIGURABLE) WITH PUMP 113 L/MIN CCLS - DISTRIBUTOR - BREAKDOWN (STD + VAR.333844 / 743741)
35.204.0111	01	3 MECHANICAL REAR REMOTE CONTROL VALVES (1 NON CONFIGURABLE) WITH "POWER BEYOND" WITH PUMP 113 L/MIN CCLS - DISTRIBUTOR, COVER AND OIL COLLECTOR (STD + VAR.335844 / 743741)
35.204.0111	02	3 MECHANICAL REAR REMOTE CONTROL VALVES (1 NON CONFIGURABLE) WITH "POWER BEYOND" WITH PUMP 113 L/MIN CCLS - DISTRIBUTOR - BREAKDOWN (STD + VAR.335844 / 743741)
35.204.0112	01	4 MECHANICAL REAR REMOTE CONTROL VALVES (2 NON CONFIGURABLE) WITH PUMP 80 L/MIN FD - DISTRIBUTOR, COVER AND OIL COLLECTOR (STD + VAR.331845 / 743685)
35.204.0112	02	4 MECHANICAL REAR REMOTE CONTROL VALVES (2 NON CONFIGURABLE) WITH PUMP 80 L/MIN FD - DISTRIBUTOR - BREAKDOWN (STD + VAR.331845 / 743685)
35.204.0113	01	4 MECHANICAL REAR REMOTE CONTROL VALVES (2 NON CONFIGURABLE) WITH PUMP 113 L/MIN CCLS - DISTRIBUTOR, COVER AND OIL COLLECTOR (STD + VAR.333845 / 743685)
35.204.0113	02	4 MECHANICAL REAR REMOTE CONTROL VALVES (2 NON CONFIGURABLE) WITH PUMP 113 L/MIN CCLS - DISTRIBUTOR - BREAKDOWN (STD + VAR.333845 / 743685)
35.204.0114	01	4 MECHANICAL REAR REMOTE CONTROL VALVES (2 NON CONFIGURABLE) WITH DIVERTER WITH PUMP 113 L/MIN CCLS - DISTRIBUTOR, COVER AND OIL COLLECTOR (STD + VAR.334845 / 743685)
35.204.0114	02	4 MECHANICAL REAR REMOTE CONTROL VALVES (2 NON CONFIGURABLE) WITH DIVERTER WITH PUMP 113 L/MIN CCLS - DISTRIBUTOR - BREAKDOWN (STD + VAR.334845 / 743685)
35.204.02		LOW INCOMING HYDRAULIC VALVE - BREAKDOWN
35.204.0201		LOW INCOMING HYDRAULIC VALVE - BREAKDOWN
35.204.03		MECHANICAL CONTROL VALVE ELEMENT - BREAKDOWN
35.204.0301		MECHANICAL CONTROL VALVE ELEMENT - BREAKDOWN
35.204.0302		ELECTROHYDRAULIC CONTROL VALVE ELEMENT - BREAKDOWN
35.204.04		TOP COVER HYDRAULIC VALVE - BREAKDOWN
35.204.0401		TOP COVER HYDRAULIC VALVE - BREAKDOWN
35.204.05		QUICK COUPLERS GROUP - BREAKDOWN
35.204.06		POWER BEYOND VALVE - BREAKDOWN
35.204.07		HYDRAULIC TRAILER BRAKE - PRESSURE RELIEF VALVE (VAR.330723-331723 / 743691)
35.204.09		2 MECHANICAL MID MOUNTED VALVES - DISTRIBUTOR AND SUPPORT (VAR. 332563-332560-334560 / 743900)
35.204.0901		3 MECHANICAL MID MOUNTED VALVES - DISTRIBUTOR AND SUPPORT (VAR.332564-332562-334562 / 743901)
35.204.0902		CONTROL VALVE - BREAKDOWN (VAR.332564-332562-334562 / 743901)
35.204.0903		CONTROL VALVE - BREAKDOWN (VAR. 332563-332560-334560 / 743900)
35.204.13		LOW PRESSURE HYDRAULIC RETURN PORT FOR EDC (VAR.331839 / 743682)
35.204.14		HYDRAULIC PUMP 80 L/MIN FD - REAR REMOTES DELIVERY PIPES
35.204.1401	01	HYDRAULIC PUMP 113 L/MIN CCLS FOR SPS - REAR REMOTES DELIVERY PIPES (VAR.331836-332836-333836-335836-336835-337835-338835-339835 / 743744)
35.204.1401	02	HYDRAULIC PUMP 113 L/MIN CCLS FOR SPS - PIPES TO CYLINDER (VAR.331836-332836-333836-335836-336835-337835-338835-339835 / 743744)
35.204.1401	03	HYDRAULIC PUMP 113 L/MIN CCLS FOR SPS - REAR REMOTES PILOT LINE (VAR.330856-331856 / 743856; VAR.330862-331862-338851 / 743733)
35.204.15		2 MECHANICAL MID MOUNTED VALVES - DELIVERY AND PILOT PIPES (VAR. 332563 / 743900)
35.204.1501		2 MECHANICAL MID MOUNTED VALVES FOR CCLS - DELIVERY AND PILOT PIPES (VAR.332560-334560 / 743900)

TABLE OF CONTENTS

35.204.1502		3 MECHANICAL MID MOUNTED VALVES - DELIVERY AND PILOT PIPES (VAR.332564 / 743901)
35.204.1503		3 MECHANICAL MID MOUNTED VALVES FOR CCLS - DELIVERY AND PILOT PIPES (VAR.332562-334562 / 743901)
35.204.16	01	2 MECHANICAL REAR REMOTE CONTROL VALVES - FRAME AND CONTROL LEVERS (STD + VAR.332851; VAR.330849-331849/743740)
35.204.16	02	2 MECHANICAL REAR REMOTE CONTROL VALVES - CABLES AND RELATED PARTS (STD + VAR.332851; VAR.330849-331849 / 743740)
35.204.1601	01	3 MECHANICAL REAR REMOTE CONTROL VALVES - FRAME AND CONTROL LEVERS (VAR.331844-333844-335844 / 743741)
35.204.1601	02	3 MECHANICAL REAR REMOTE CONTROL VALVES - CABLES AND RELATED PARTS (VAR.331844-333844-335844 / 743741)
35.204.1602	01	4 MECHANICAL REAR REMOTE CONTROL VALVES - FRAME AND CONTROL LEVERS (VAR.331845-333845 / 743685)
35.204.1602	02	4 MECHANICAL REAR REMOTE CONTROL VALVES - CABLES AND RELATED PARTS (VAR.331845-333845 / 743685)
35.204.1603	01	4 MECHANICAL REAR REMOTE CONTROL VALVES WITH DIVERTER - FRAME AND CONTROL LEVERS (VAR.334845 / 743685)
35.204.1603	02	4 MECHANICAL REAR REMOTE CONTROL VALVES WITH DIVERTER - CABLES AND RELATED PARTS (VAR.334845 / 743685)
35.204.1604		3 ELECTROHYDRAULIC REAR REMOTE CONTROL VALVES - CONTROL VALVE CONTROL (VAR.330856 / 743686)
35.204.1605		4 ELECTROHYDRAULIC REAR REMOTE CONTROL VALVES - CONTROL VALVE CONTROL (VAR.330862 / 743733)
35.204.1606		4 ELECTROHYDRAULIC REAR REMOTE CONTROL VALVES WITH DIVERTER - CONTROL VALVE CONTROL (VAR.331862 / 743733)
35.204.1607	01	MECHANICAL JOYSTICK FOR REAR REMOTES (VAR.332782)
35.204.1607	02	MECHANICAL JOYSTICK FOR REAR REMOTES - BREAKDOWN (VAR.332782)
35.204.1608	01	2 MECHANICAL MID MOUNTED VALVES - JOYSTICK (VAR.332563-332560-334560 / 743900)
35.204.1608	02	2 MECHANICAL MID MOUNTED VALVES - JOYSTICK - BREAKDOWN (VAR.332563-332560-334560 / 743900)
35.204.1609	01	3 MECHANICAL MID MOUNTED VALVES - JOYSTICK (VAR.332564-332562-334562 / 743901)
35.204.1609	02	3 MECHANICAL MID MOUNTED VALVES - JOYSTICK - BREAKDOWN (VAR.332564-332562-334562 / 743901)
35.300.01	01	HYDRAULIC PUMP 113 L/MIN CCLS FOR SPS - FILTER - END S/N ZGBD01864 (VAR.331836-332836-333836-335836-336835-337835-338835-339835 / 743744)
35.300.01	01A	HYDRAULIC PUMP 113 L/MIN CCLS FOR SPS - FILTER - BEGIN S/N ZGBD01865 (VAR.331836-332836-333836-335836-336835-337835-338835-339835 / 743744)
35.701.01		EUROPEAN LOADER READY - FAST-FITTING CONNECTION AND PIPES (VAR.332821-334821 / 743702)
35.701.02	01	2 FRONT COUPLERS FOR INTEGRATED FRONT HPL FROM MID MOUNT VALVES - PIPES (VAR.331814)
35.701.02	02	2 FRONT COUPLERS FOR INTEGRATED FRONT HPL FROM MID MOUNT VALVES - PIPES (VAR.331814)
37.000.00		PICTORIAL INDEX - TOWING HOOK AND BALLASTING
37.100.01		FRONT PULL HOOK (VAR.330222)
37.100.02	01	SLIDER TOW HOOK WITH AUTO SWIVEL COUPLING - GERMANY (VAR.330938-330939)
37.100.02	02	TOW HOOK 32MM/38MM - BREAKDOWN (VAR.330938-330939-330955)
37.100.0201		SLIDER TOW HOOK WITH AUTO SWIVEL COUPLING WITH WELDED K80 - GERMANY (VAR.330955)
37.100.0202		SLIDER TOW HOOK WITH FIXED C AND D3 TYPE COUPLINGS - ITALY (VAR.330942-331954-332954)

TABLE OF CONTENTS

37.100.0203		SLIDER TOW HOOK WITH SWIVEL COUPLING AND PITON - FRANCE (VAR.330940)
37.100.03		AUTOMATIC HITCH - CONTROL LEVER (VAR.330938-330939-330955)
37.100.04		SWINGING DRAWBAR FOR SLIDER TOW HOOK (VAR.330918)
37.100.0401		SWINGING DRAWBAR FOR SLIDER TOW HOOK - ITALY (VAR.331918)
37.100.0402		INDIPENDENT SWINGING DRAWBAR WITH CLEVIS (VAR.330937)
37.100.0403		INDIPENDENT SWINGING DRAWBAR WITH ROLLERS (VAR.330915)
37.100.0404		INDIPENDENT DRAWBAR (VAR.330934)
37.106.02	01	AUTOMATIC PICK UP HITCH WITH SWINGING DRAWBAR - FRAME AND TOW BAR (VAR.331943)
37.106.02	02	AUTOMATIC PICK UP HITCH WITH SWINGING DRAWBAR - TIE RODS (VAR.331943)
37.106.0201	01	AUTOMATIC PICK UP HITCH WITH HYDR. PUSH BACK, WITH SWINGING DRAWBAR - FRAME AND TOW BAR (VAR.331945)
37.106.0201	02	AUTOMATIC PICK UP HITCH WITH HYDR. PUSH BACK, WITH SWINGING DRAWBAR - TIE RODS (VAR.331945)
37.106.03		AUTOMATIC PICK UP HITCH WITH SWINGING DRAWBAR - CONTROL LEVER (VAR.331943-331945)
37.140.01		FRONT WEIGHT CARRIER (VAR.330217 / 743703)
37.140.0101		FRONT WEIGHT CARRIER FOR SUPERSTEER FRONT AXLE (VAR.331217)
37.140.0103		FRONT WEIGHT CARRIER AND 6 WEIGHTS WITH PULL HOOK (VAR.330223 / 743773)
37.140.0104		FRONT WEIGHT CARRIER AND 10 WEIGHTS WITH PULL HOOK (VAR.330224 / 743704)
37.140.0105		FRONT WEIGHT CARRIER AND 10 WEIGHTS WITH PULL HOOK FOR SUPERSTEER FRONT AXLE (VAR.331224 / 743704)
37.140.0106		FRONT WEIGHT CARRIER AND 18 WEIGHTS WITH PULL HOOK (VAR.330228 / 743705)
37.140.0107		FRONT WEIGHT CARRIER AND 18 WEIGHTS WITH PULL HOOK FOR SUPERSTEER FRONT AXLE (VAR.331228 / 743705)
37.140.02		65 KG REAR BALLAST FOR BAR AXLE (VAR.330628 / 743706)
37.140.0201		65 KG REAR BALLAST FOR BAR AXLE (VAR.331628 / 743706)
41.000.00		PICTORIAL INDEX - STEERING
41.106.01		CLASS 3 FRONT AXLE - STEERING TRACK ROD (STD + VAR.330414-330427)
41.106.0101		CLASS 4 (3.5) FRONT AXLE - STEERING TRACK ROD (VAR.330408-330429-330430)
41.106.0102		CLASS 3 FRONT AXLE - STEERING TRACK ROD (VAR.330409-330416-330425)
41.106.0103		CLASS 3 SUPERSTEER FRONT AXLE WITH MULTI-PLATE DIFFER. LOCK AND STEERING SENS. - STEERING TRACK ROD (VAR.330413)
41.106.0104		CLASS 4 (3.5) SUPERSTEER FRONT AXLE WITH MULTI-PLATE DIFFER. LOCK - STEERING TRACK ROD (VAR.330428)
41.200.0101		STEERING CYLINDER PIPES AND POWER STEERING PIPES (STD + VAR.330408)
41.200.0103		STEERING CYLINDER PIPES AND POWER STEERING PIPES (VAR.330409-330416-330425)
41.200.0104		CLASS 3 SUSPENDED FRONT AXLE WITH HYDR. DIFF. LOCK - STEERING CYLINDER PIPES AND POWER STEER. PIPES (VAR.330414-330427)
41.200.0105		CLASS 4 (3.5) SUSPENDED FRONT AXLE WITH HYDR. DIFF. LOCK - STEERING CYL. PIPES AND POWER STEER. PIPES (VAR.330429-330430)
41.200.0107		SUPERSTEER FRONT AXLE - POWER STEERING DELIVERY AND RETURN PIPES (VAR.330413-330428)

**Thanks very much for your reading,
Want to get more information,
Please click here, Then get the complete
manual**

JustClickHere 

NOTE:

**If there is no response to click on the link above,
please download the PDF document first, and then
click on it.**

**Have any questions please write to me:
admin@servicemanualperfect.com**