

All rights reserved by **CNH Industrial**.

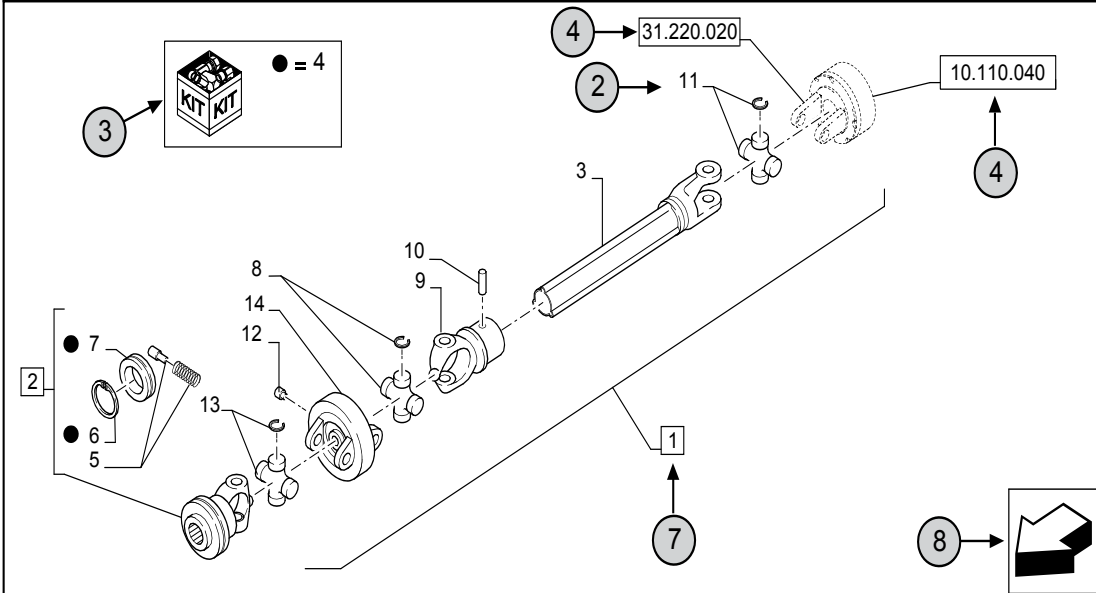
The information contained in this catalogue is intended to be of a general nature only. **CNH Industrial** may at any time and from time to time, for technical or other necessary reasons, modify any of the details or specifications of the product described in this catalogue.

To be sure of getting accurate, detailed and up-to-date information, an intending buyer should consult his nearest **CNH Industrial** dealer or distributor.

Single item numeration method used in this catalogue may not be used without written consent from **CNH Industrial**

31.220.010	01	p1	10/2014
------------	----	----	---------

VAR - 123782, 789101,987654 - PTO - D650



STANDARD ← (6)

(23)	(9)	(10)	31.220.010	01	p1	10/2014
------	-----	------	------------	----	----	---------

VAR - 123782, 789101,987654 - PTO - D650

(11) (12) (13) (14)

REF	FN	PART NUMBER	YR/SN	QTY	DESCRIPTION
1	1	86529340	(20)	1	SHAFT PTO, Incl 2 - 11
2	(15)	84014007		1	YOKE, Incl 4 - 7 ← (7)
3	(16)	NSS		1	NOT SERVICED SEPARATELY, SHAFT, 350mm, Incl in 1
4		84004292		1	KIT, Seal Kit, Incl 6, 7 (17)
4		{84058743}		1	KIT, Seal Kit, Incl 6, 7
(2)	(18)	(19)		(21)	(22)
		1 = FOR ITALY ONLY ← (5)			

MODELS ← (1)


- 1 Model Number and Model Description
- 2 Reference - Figure call-out of the part number.
- 3 Parts supplied in repair kits per symbol reference.
- 4 31.220.020 Part illustrated on the **Page** or in the **Figure** indicated, or calls for **Variations** or **Details**. Indicates components shown in detail elsewhere in the catalogue under the figure number shown.
- 5 Footnote references
- 6 Figure notes
- 7 1 2 Includes item(s) (See Description within partlist).
- 8 Orientation. (Arrow indicates front of the machine). 
- 9 Figure description.
- 10 General information of the figure.
- 11 Figure title number that aligns with the SRT. Standard Repair Time.
- 12 **Sequence** code within the assembly.
- 13 Page number within the sequence code.
- 14 **Date** of printing or updating of page (month-year).
- 15 **Note** - Relating to the Part Number. There is a key to symbols and abbreviations at the bottom of the text page.
- 16 Non-serviced parts.
- 17 Further description of the part to help confirm identification.
- 18 Not available as service part.
- 19 Part Number.
- 20 To be defined.
- 21 Total **Quantity** of the Part referred to in the page.
The quantity can be replaced by the following indications:
AR = quantity as requested.
- 22 Part **Description**.
- 23 Variant Codes

TABLE OF CONTENTS

05.100.03	01	FILTERS
05.100.03	02	CAPACITIES - BOOMER 50D
05.100.99		INITIAL STOCKING LIST (LIST C)
01.01		CYLINDER BLOCK
01.01.01		ATTACHING HARDWARE ENGINE TO TRANSMISSION
01.02		CAMSHAFT
01.03		CYLINDER HEAD
01.04		HEAD COVER
01.05		ROCKER ARM
01.06		CRANKSHAFT & PISTONS
01.07		TIMING GEAR CASE
01.08		OIL PUMP, WATER PUMP & FAN
01.09		AIR DEFLECTOR GUARD, 55 AMP ALTERNATOR
01.09.01		AIR DEFLECTOR FAN GUARD, 75 AMP ALTERNATOR
01.10		ALTERNATOR ASSEMBLY
01.10.01		ALTERNATOR KIT, 75A
01.11		STARTING MOTOR
01.12		BALANCER
01.13		FUEL INJECTION PUMP & LINES
01.13.02		FUEL INJECTOR
01.13.03		KIT FUEL FILTER O-RING
02.01		RADIATOR-CONDENSOR W/CAB
02.03		FUEL TANK
02.04		AIR CLEANER
02.04.01		AIR CLEANER BRACKET
02.04.02		AIR CLEANER BRACKET
02.05		OIL COOLER
02.05.01		OIL COOLER BYPASS VALVE & TUBES
02.06		FUEL FILTER
02.07		FOOT THROTTLE/PEDAL
02.07.01		HAND THROTTLE ASSEMBLY
02.08		EXHAUST SYSTEM
02.09		KIT FUEL FILTER O-RING
03.01		COMPLETE TRANSMISSION
03.01.01		COMPLETE TRANSMISSION EXTERNAL PIPING
03.02		REAR HOUSING ASSEMBLY

TABLE OF CONTENTS

03.03		REAR HOUSING ASSEMBLY
03.04		REAR PTO HYDRAULIC BLOCK
03.05		REAR HOUSING ASSEMBLY
03.06		INTERMEDIATE PLATE ASSEMBLY
03.07		REAR COVER ASSEMBLY W/MID PTO TRANSMISSION
03.07.01		REAR COVER ASSEMBLY W/MID PTO TRANSMISSION
03.07.02		REAR COVER ASSEMBLY W/O MID PTO TRANSMISSION
03.08		MID PTO
03.09		FWD SHAFT & MID PTO SHAFT
03.09.01		FWD SHAFT
03.10		FWD & MID PTO ENGAGEMENT
03.10.01		FWD ENGAGEMENT
03.11		TRANSMISSION DISENGAGEMENT
03.12		PLANETARY GEAR
03.13		PLANETARY GEAR SET
03.14		PLANETARY CARRIER
03.15		SECONDARY PULLEY OUTPUT SHAFT
03.16		PTO DRIVING SET
03.17		REAR PTO CLUTCH
03.18		BEVEL GEAR SET
03.19		DIFFERENTIAL
03.20		DIFFERENTIAL LOCK
03.21	01	LH FINAL REDUCTION HOUSING - USED ON & ABOVE PIN # Z0DB11021
03.21.01	02	RH FINAL REDUCTION HOUSING
03.22	01	RH FINAL REDUCTION HOUSING - USED ON & ABOVE PIN # Z0DB11021
03.23		FRONT HOUSING
03.23		FRONT HOUSING
03.24		SHUTTLE CLUTCH
03.25		FRONT HOUSING 45HP & 50HP
03.26		FRONT HOUSING 40 HP
03.27		HPL HOUSING ASSEMBLY
03.28		CYLINDER ASSEMBLY
03.29		INTERNAL LEVERS
03.30		TOP LINK BRACKET
03.31		CONTROL LEVERS
03.32		CONTROL VALVE

TABLE OF CONTENTS

03.40		FWD CONTROL SUPERSTEER LEVER
03.50		PTO CONTROL GROUP
03.51		DIFFERENTIAL LOCK LINKAGE
03.52		HPL LINKAGE
03.53		PARKING BRAKE - SINGLE PEDAL
03.54		DUAL PEDAL BRAKE LINKAGE
03.55		DUAL BRAKE PEDALS
03.56		TRANSMISSION IMMERSION HEATER - 87537603
03.57		DIA KIT, CAB PARK BREAK CONTROLS
03.58		KIT CL3 NOISE REDUCTION
04.05		HOUSING, FRONT AXLE, ASN ZDMB12180
04.10	01	PINION, FRONT AXLE, ASN ZDMB12180
04.10	02	DIFFERENTIAL, FRONT AXLE, ASN ZDMB12180
04.11	01	FRONT AXLE, HUB, ASN ZDMB12180
04.11	02	STEERING KNUCKLE, FRONT AXLE, ASN ZDMB12180
04.12		DRIVE SHAFT, FRONT AXLE, ASN ZDMB12180
04.13		SPINDLE, FRONT AXLE, ASN ZDMB12180
04.02	01	FRONT AXLE, FWD, ASN ZDMB12180
04.02	02	FRONT AXLE, FWD
04.03		FRONT AXLE, SUPERSTEER
04.05		FRONT AXLE & STEERING W/FWD
04.05.01		POWER STEERING CYLINDER ASSEMBLY, W/FWD
04.06		FRONT AXLE & STEERING W/SUPERSTEER
04.06.01		POWER STEERING CYLINDER ASSEMBLY, W/SUPERSTEER
04.08		POWER STEERING HOSES
04.09		POWER STEERING PUMP ASSEMBLY
04.10		FRONT DIFFERENTIAL GEARS W/FWD
04.11		FINAL REDUCTION GEARS, W/FWD
04.12		UNIVERSAL JOINT W/SUPERSTEER
04.13		BEVEL GEAR
05.23	01	LH FINAL REDUCTION HOUSING
06.01		WIRE HARNESSSES
06.02		ELECTRICAL CONTROL SYSTEM GROUP
06.02	01	ELECTRIC SYSTEM CONTROL
06.03		ELECTRICAL CONTROLLER GROUP
06.04		FUSES

TABLE OF CONTENTS

06.09	BATTERY & BATTERY PLATE
06.10	FRONT & REAR LAMPS
06.11	INSTRUMENT PANEL
06.18	ROTATING BEACON KIT - 710762026
06.19	WORKLIGHTS
07.01	HYDRAULIC PRESSURE FILTER & TUBING
07.01.01	HYDRAULIC PRESSURE FILTER & TUBING
07.02	HYDRAULIC SUCTION FILTER & TUBING
07.03	HYDRAULIC OIL PRESSURE SYSTEM
07.03.03	HPL DROP RATE CONTROL
07.04	HYDRAULIC OIL PUMP
07.06	3 POSITION SELF CENTERING VALVE - 710366206
07.07	4 POSITION FLOAT & DETENT VALVE - DIA KIT, P/N 719940056
07.08	REAR REMOTE #1 COMPLETING KIT - 719933036
07.08	01 KIT ASSY REMOTE VALVE NO 1
07.09	REAR REMOTE #2 COMPLETING KIT - 719935036
07.10	REAR REMOTE #3 COMPLETING KIT - 719937026
07.15	TWO FUNCTION MID-MOUNT HYDRAULIC VALVE KIT - 717654006
07.16	MID-MOUNT HYDRAULIC CONTROL VALVE - 87571203
07.17	TUBE SUPPORT BRACKET FOR MID-MOUNT TUBE KIT LESS LOADER & TOWER - 86404991
07.18	JOYSTICK
07.19	KIT HYDRAULIC SUCTION
08.01	FENDERS
08.01.01	FENDER LINERS
08.03	TOOLBOX
08.04	SMV MOUNTING
08.05	HOOD
08.06	HOOD HEADLAMPS & HARDWARE
08.11	GRILLE GUARD KIT - DIA KIT, P/N 719849056
08.11.01	CHROME GRILLE GUARD KIT - 719849206
08.12	DECALS, IDENTIFICATION
08.13	DECALS, OPERATING
08.14	DECALS, WARNING
09.01	DRAWBAR
09.02	PTO SHIELD
09.03	3 POINT HITCH & HARDWARE

TABLE OF CONTENTS

10.01		CAB
10.01.02		CAB MOUNT
10.01.04		CAB FINISHING GROUP
10.02		ROOF
10.03		HEADLINER
10.04		DOOR, LH
10.05		DOOR, RH
10.06		REAR WINDOW
10.08		FLOORMATS
10.09.01		DELUXE SEAT & ARM REST KIT - 718852026
10.09.01		DRIVER SEAT
10.10		POD TOPS
10.11		FRONT CONSOLE
10.12		HOOD, REAR OUTSIDE (ONE PIECE)
10.13		FIREWALL
10.13.01		HORN & BRACKET
10.14		STEERING COLUMN, TILT/TELESCOPING
10.14.01		POWER STEERING MOTOR
10.15		HVAC BOX
10.15.01		HVAC
10.15.02		HEATER, EVAPORATOR
10.15.03		HVAC CONTROLS
10.15.04		HOSES, HVAC
10.15.05		HEATER HOSE FITTINGS, CLAMPS, CABLE TIE
10.16		COMPRESSOR MOUNT
10.17		REAR WINDSHIELD WIPER/WASHER DIA - 710642016
10.17.01		FRONT WINDSHIELD WIPER/WASHER
10.18		FRONT SUNVISOR
10.20		CAB ROOF SKYLIGHT BRUSH GUARD KIT - 718002006
10.21		STEPS
10.22		TIE DOWN
10.23	01	MODEL, DECALS 50D
10.24	01	MODEL, DECALS 45D
10.25		OUTSIDE MIRRORS & INSIDE MIRRORS
11.01		FRONT WHEELS
11.02		REAR WHEELS

TABLE OF CONTENTS

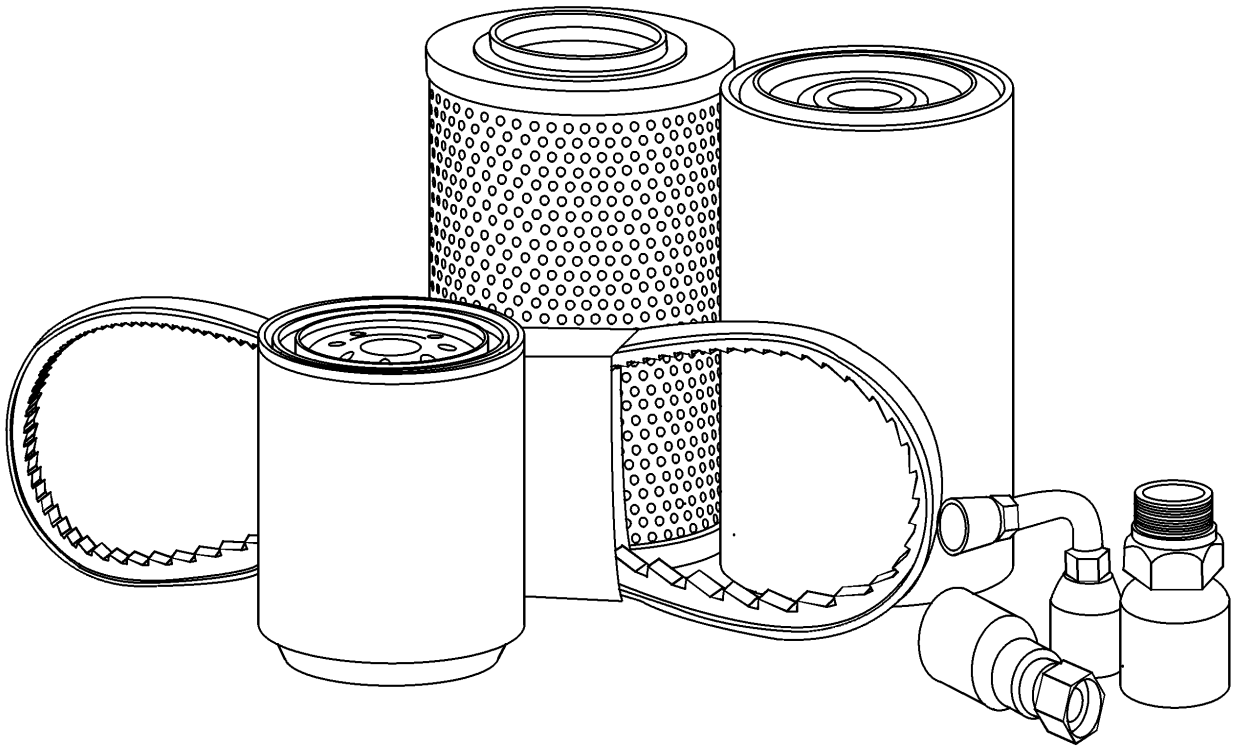
11.03	FRONT END WHEEL WEIGHTS - 710215016 & 718215036,WEIGHT CARRIER - 718233006 & WEIGHT ADAPTER BRACKET SUPERSTEER - 719233056
11.04	REAR WHEEL WEIGHTS, 105 LBS AG BAR & INDUSTRIAL WHEELS ONLY - 710470026
11.06	FRONT TOW HOOK - 710892016
11.07	REAR COUNTERWEIGHT BRACKET - 718740016
44.511.AB	WHEELS, REAR
44.511.AE	WHEELS, FRONT

SECTION INDEX

GENERAL

05.100.03	01	FILTERS
05.100.03	02	CAPACITIES - BOOMER 50D

FILTERS



Verified by Parts Engineering

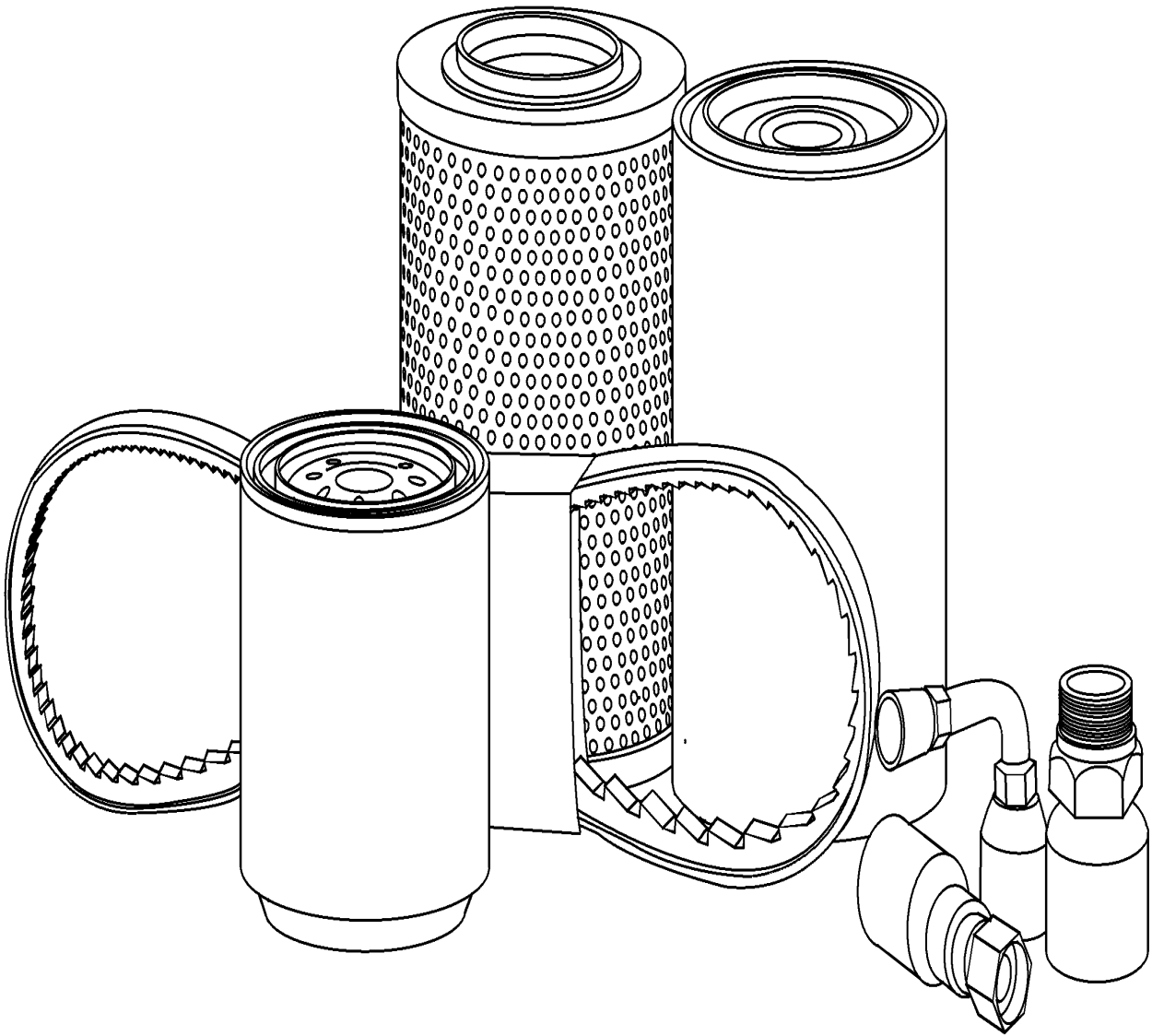


FILTERS

REF FN	PART NUMBER	YR/SN	QTY DESCRIPTION
1	84475542		1 ENGINE OIL FILTER ENGINE OIL FILTER
2	87682998		1 AIR FILTER Primary
3	84539215		1 AIR FILTER Secondary
4	87761808		1 AIR FILTER Cab Air
5	84476005		1 HYDRAULIC OIL FILTER HYDRAULIC OIL FILTER, Pressure and Tubing
6	84476007		1 HYDRAULIC OIL FILTER HYDRAULIC OIL FILTER, Pressure Suction System
7	84477366		1 ELEMENT FUEL FILTER
8	87481356		1 FILTER TRANSMISSION FILTER, Internal Suction

**BOOMER 3050-COMPACT TRACTOR - CVT TRANSMISSION W/CAB
(NA) BOOMER 50D-COMPACT TRACTOR - CVT TRANSMISSION
W/CAB (CAN ONLY)**

CAPACITIES - BOOMER 50D



Verified by Engineering



CAPACITIES - BOOMER 50D

REF FN	PART NUMBER	YR/SN	QTY DESCRIPTION
*	NSS		NOT SOLD SEPARAT Cooling System Capacity, 9.0 Liters (2.38 Gallons)
*	NSS		NOT SOLD SEPARAT Coolant Type, Mixture of 50% Ethylene Glycol Antifreeze and 50% Water
*	NSS		NOT SOLD SEPARAT Engine Oil Capacity 6.0 Liters (1.59 Gallons)
*	NSS		NOT SOLD SEPARAT Engine Oil Type, Ambra Master Gold SAE 10W30
*	NSS		NOT SOLD SEPARAT Fuel Tank Capacity, 49.2 Liters (13 Gallons), No.2 Diesel, Cetane
*	NSS		NOT SOLD SEPARAT Transmission Capacity, Includes Rear Axle and Hydraulics, 35.2 Liters (9.3 Gallons)
*	NSS		NOT SOLD SEPARAT Transmission Oil Type, AMBRA MULTI G 134
*	NSS		NOT SOLD SEPARAT Front Axle Differential Capacity, Final Reduction, 5.3 Liters (1.4 Gallons)
*	NSS		NOT SOLD SEPARAT Front Axle Differential Oil Type, MULTI G 134

BOOMER 3040-COMPACT TRACTOR - CVT TRANSMISSION W/CAB (NA) BOOMER 3045-COMPACT TRACTOR - CVT TRANSMISSION W/CAB (NA) BOOMER 3050-COMPACT TRACTOR - CVT TRANSMISSION W/CAB (NA) BOOMER 45D-COMPACT TRACTOR - CVT TRANSMISSION W/CAB (CAN ONLY) BOOMER 50D-COMPACT TRACTOR - CVT TRANSMISSION W/CAB (CAN ONLY)

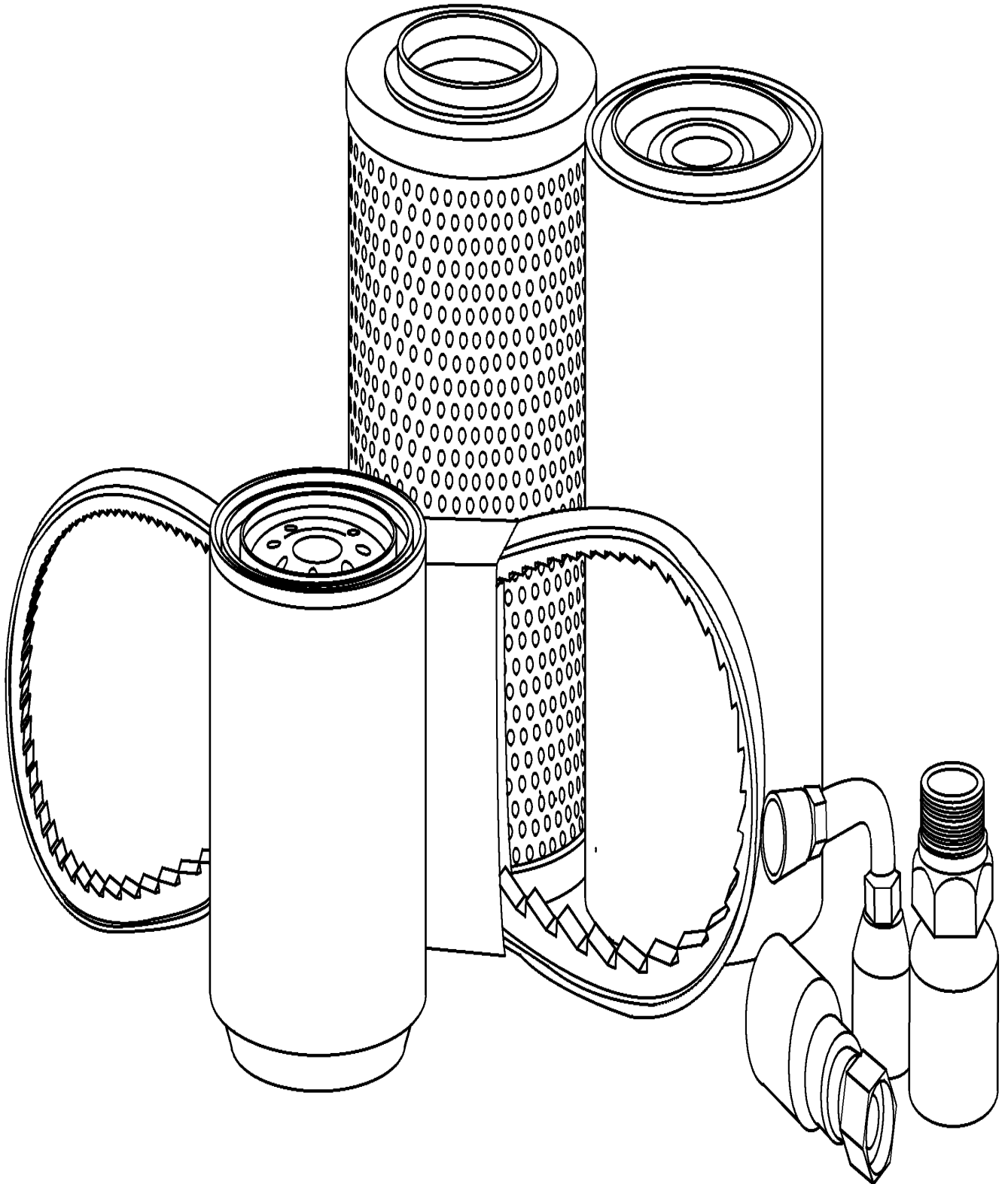
SECTION INDEX

GENERAL

05.100.99

INITIAL STOCKING LIST (LIST C)

INITIAL STOCKING LIST (LIST C)



**Thanks very much for your reading,
Want to get more information,
Please click here, Then get the complete
manual**

JustClickHere 

NOTE:

**If there is no response to click on the link above,
please download the PDF document first, and then
click on it.**

**Have any questions please write to me:
admin@servicemanualperfect.com**