

# PARTS CATALOG

TD5.75  
Tractor Tier 3

Print No. 696065320  
11/2015





# PARTS CATALOG

TD5.75  
Tractor Tier 3

Print No. 696065320  
11/2015



**NEW HOLLAND**

AGRICULTURE

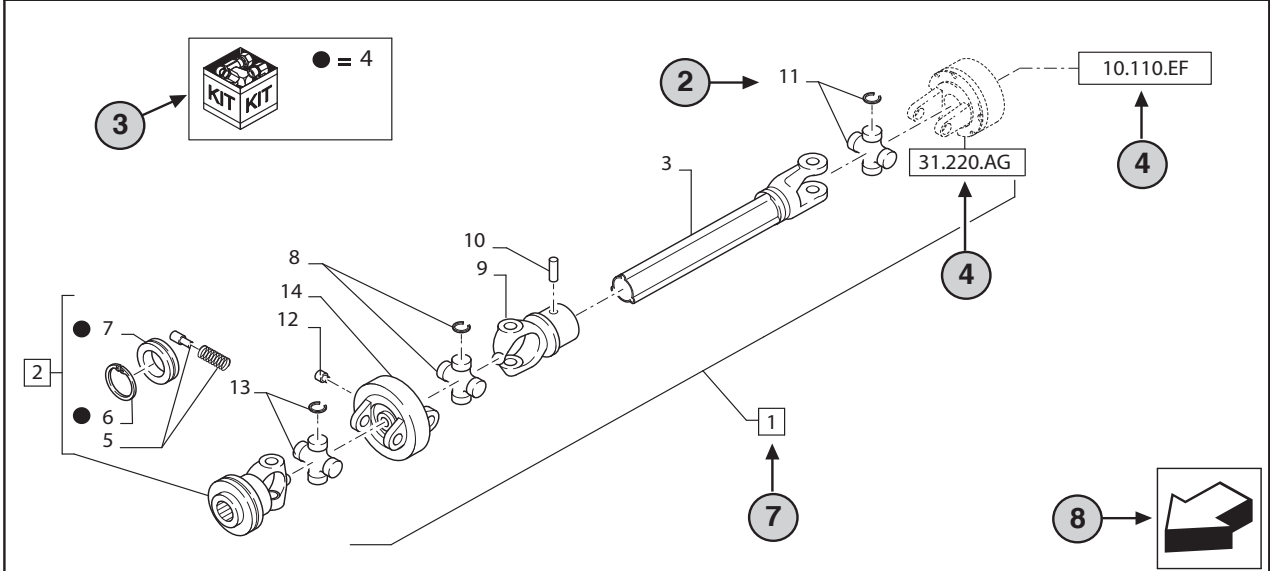
All rights reserved by **CNHi**.

The information contained in this catalogue is intended to be of a general nature only. **CNHi** may at any time and from time to time, for technical or other necessary reasons, modify any of the details or specifications of the product described in this catalogue.

To be sure of getting accurate, detailed and up-to-date information, an intending buyer should consult his nearest **CNHi** dealer or distributor.

Single item numeration method used in this catalogue may not be used without written consent from **CNHi**.

VAR - 123782, 789101,987654 - PTO - D650




**STANDARD** ← (6)

VAR - 123782, 789101,987654 - PTO - D650

(11) (12) (13) (14)

REF	FN	PART NUMBER	YR/SN	QTY	DESCRIPTION
1	1	86529340	(20)	1	SHAFT PTO, Incl 2 - 11
2	(15)	84014007		1	YOKE, Incl 4 -7 ← (7)
3	(16)	NSS		1	NOT SERVICED SEPARATELY, SHAFT, 350mm, Incl in 1
4		84004292		1	KIT, Seal Kit, Incl 6, 7 (17)
4		{84058743}		1	KIT, Seal Kit, Incl 6, 7
(2)	(18)	(19)	(21)	(22)	
		1 = FOR ITALY ONLY ← (5)			

**MODELS** ← (1)

- 1 Model Number and Model Description
- 2 Reference - Figure call-out of the part number.
- 3 Parts supplied in repair kits per symbol reference.
- 4 31.220.AD Part illustrated on the **Page** or in the **Figure** indicated, or calls for **Variations** or **Details**. Indicates components shown in detail elsewhere in the catalogue under the figure number shown.
- 5 Footnote references
- 6 Figure notes
- 7 1 2 Includes item(s) ..... (See Description within partlist).
- 8 Orientation. (Arrow indicates front of the machine). 
- 9 Figure description.
- 10 General information of the figure.
- 11 Figure title number that aligns with the SRT. Standard Repair Time.
- 12 **Sequence** code within the assembly.
- 13 Page number within the sequence code.
- 14 **Date** of printing or updating of page (month-year).
- 15 **Note** - Relating to the Part Number. There is a key to symbols and abbreviations at the bottom of the text page.
- 16 Non-serviced parts.
- 17 Further description of the part to help confirm identification.
- 18 Not available as service part.
- 19 Part Number.
- 20 To be defined.
- 21 Total **Quantity** of the Part referred to in the page.  
The quantity can be replaced by the following indications:  
**AR** = quantity as requested.
- 22 Part **Description**.
- 23 Variant Codes



---

## TABLE OF CONTENTS

---

00.000.00	01	PICTORIAL INDEX - MAIN SECTIONS
00.000.00	02	PICTORIAL INDEX - MAIN SECTIONS
00.000.10	03	PICTORIAL INDEX - ENGINE
00.000.18	01	PICTORIAL INDEX - CLUTCH
00.000.21	01	PICTORIAL INDEX - TRANSMISSION
00.000.21	02	PICTORIAL INDEX - TRANSMISSION
00.000.23	01	PICTORIAL INDEX - 4WD LINES
00.000.25	01	PICTORIAL INDEX - FRONT MECHANICAL DRIVE
00.000.27	01	PICTORIAL INDEX - REAR DRIVE AXLE
00.000.31	01	PICTORIAL INDEX - IMPLEMENT POWER TAKE-OFF
00.000.33	01	PICTORIAL INDEX - BRAKES & CONTROLS
00.000.35	01	PICTORIAL INDEX - HYDRAULIC SYSTEMS
00.000.35	02	PICTORIAL INDEX - HYDRAULIC SYSTEMS
00.000.37	01	PICTORIAL INDEX - HITCHES, DRAWBARS AND IMPLEMENT COUPLINGS
00.000.39	01	PICTORIAL INDEX - FRAMES AND BALLASTINGS
00.000.41	01	PICTORIAL INDEX - STEERING
00.000.44	01	PICTORIAL INDEX - WHEELS
00.000.44	02	PICTORIAL INDEX - WHEELS
00.000.50	01	PICTORIAL INDEX - CAB CLIMATE CONTROL
00.000.55	02	PICTORIAL INDEX - ELECTRICAL SYSTEMS
00.000.55	03	PICTORIAL INDEX - ELECTRICAL SYSTEMS
00.000.55	04	PICTORIAL INDEX - ELECTRICAL SYSTEMS
00.000.82	01	PICTORIAL INDEX - FRONT LOADER
00.000.88	01	PICTORIAL INDEX - ACCESSORIES
00.000.90	01	PICTORIAL INDEX - PLATFORM, CAB, BODYWORK AND DECALS
00.000.90	02	PICTORIAL INDEX - PLATFORM, CAB, BODYWORK AND DECALS
00.000.90	03	PICTORIAL INDEX - PLATFORM, CAB, BODYWORK AND DECALS
00.000.90	04	PICTORIAL INDEX - PLATFORM, CAB, BODYWORK AND DECALS
00.001.00	01	OPTIONAL EQUIPMENT
00.001.00	02	OPTIONAL EQUIPMENT
00.100.01	01	IDENTIFICATION PLATE AND VERSION LIST
00.500.01		DIA KITS
05.100.01		INITIAL STOCKING LIST (LIST A)
05.100.02		INITIAL STOCKING LIST (LIST B)



---

## TABLE OF CONTENTS

---

05.100.03	01	FILTERS & CAPACITIES
05.100.03	02	FILTERS & CAPACITIES
10.000.00	03	SECTION INDEX, ENGINE
10.001.AD	01	VAR - 390002, 744731 - ENGINE, ASSY
10.001.AD	02	VAR - 334299, 744731 - ENGINE, ASSY, W/ A/C
10.202.AB	01	VAR - 330200, 390227 - DRY AIR CLEANER & RELATED PARTS
10.202.AB	02	VAR - 330200, 390227 - DRY AIR CLEANER, BREAKDOWN
10.202.AB	03	VAR - 330200 - DRY AIR CLEANER WITH DUST EJECTOR
10.202.AD	02	VAR - 390971 - AIR FILTER, PIPES
10.202.AH	01	VAR - 330200, 390227, 390971, 743852 - AIR CLEANER, SUPPORT
10.206.AF	01	VAR - 334296 - WATER SEPARATOR
10.216.AI	01	VAR - 334296, 390246 - FUEL TANK
10.216.AI	02	VAR - 334296, 390246 - FUEL TANK, SUPPORT
10.220.AA	01	VAR - 334299, 334300, 334301, 390002, 744731 - THROTTLE CONTROL LINKAGE
10.220.AA	02	VAR - 334299, 334300, 334301, 390002, 744731 - THROTTLE CONTROL LINKAGE
10.254.AI	02	VAR - 330153, 391151, 744733 - MUFFLER, VERTICAL EXHAUST
10.254.AI	04	VAR - 391151, 744733 - VERTICAL EXHAUST, SHIELD
10.254.AI	06	VAR - 330150, 744734 - HORIZONTAL EXHAUST SHIELD
10.254.AI	08	VAR - 330153 - VERTICAL EXHAUST, SHIELD
10.310.AA	01	VAR - 334299, 334300, 334301, 390002, 744731 - INTERCOOLER
10.310.AB	02	VAR - 334299, 334300, 334301, 390002, 744731 - INTERCOOLER LINE
10.400.AY	01	VAR - 330641, 390641, 330200 - RADIATOR HOSE
10.400.BE	01	VAR - 334299, 334300, 334301, 390002, 744731 - RADIATOR
10.400.BE	02	VAR - 330641, 390249, 390641, 744731 - RADIATOR, SEAL
10.400.BH	01	VAR - 330641, 390641 - COOLING, EXPANSION TANK
10.414.AC	01	VAR - 390018 - FAN
10.414.AC	02	VAR - 334299, 334300, 334301, 390002, 744731 - RADIATOR FAN SHROUD
10.414.AC	03	VAR - 330009 - VISCOUS JOINT FAN
18.000.00	01	SECTION INDEX, CLUTCH
18.100.AA	01	VAR - 390249 - CLUTCH, CABLE
18.100.AF	01	VAR - 390249 - CLUTCH, PEDAL
18.100.AF	02	VAR - 330120, 331120, 743846 - CLUTCH, PEDAL
18.100.AJ	01	VAR - 335113, 335116, 390249, 744735, 744738, 744739, 744744 - CLUTCH LEVERS LINKS
18.104.AM	01	VAR - 330120, 331120, 743846 - PTO ENGAGEMENT CLUTCH, SERVOCONTROL - CONTROL VALVE - BREAKDOWN

---

## TABLE OF CONTENTS

---

18.104.AS	01	VAR - 330120, 331120, 743846 - PTO ENGAGEMENT CLUTCH, SERVOCONTROL - CYLINDER AND RELEVANT PARTS
18.104.AS	02	VAR - 330120, 331120, 743846 - POWER SHUTTLE SERVO PTO FOR DIFF. LOCK - PTO CLUTCH CONTROL ACTUATOR CYLINDER - BREAKDOWN
18.110.AB	02	VAR - 390815, 720248 - CLUTCH & DISC ASSY
18.110.AB	07	VAR - 334409, 334410, 720248, 720514 - CLUTCH & DISC ASSY
18.110.AB	09	VAR - 334298, 720514 - CLUTCH & DISC ASSY
21.000.00	01	SECTION INDEX, TRANSMISSION
21.000.00	02	SECTION INDEX, TRANSMISSION
21.104.AR	01	VAR - 330120, 331120, 743846 - TRANSMISSION LUBRICATION LINE
21.109.AK	01	VAR - 330120, 331120, 743846 - TRANSMISSION OIL COOLER
21.112.AB	01	VAR - 335116, 390110, 744735 - TRACTOR BODY, GEARBOX HOUSING
21.112.AB	03	VAR - 335113 - 20X12 TRANSMISSION WITH SYNCHRO SHUTTLE AND CREEPER - TRACTOR BODY
21.112.AB	04	VAR - 330120, 331120, 743846 - POWER SHUTTLE AND SERVO PTO FOR MECH. DIFF. LOCK - TRACTOR BODY
21.118.AF	01	VAR - 334303, 335116, 390110, 744735 - TRACTOR BODY, REAR TRANSMISSION HOUSING
21.118.AF	02	VAR - 335113 - 20X12 TRANSMISSION WITH SYNCHRO SHUTTLE AND CREEPER, HOUSING
21.118.AG	01	VAR - 334303, 335113, 335116, 390110, 744735 - TRACTOR BODY - REAR TRANSMISSION HOUSING COVER
21.130.AZ	01	VAR - 335113, 335116, 743846, 744735 - REVERSE CONTROL
21.130.AZ	02	VAR - 335113, 390110, 744735 - REVERSER INTERLOCK MECHANISM
21.130.AZ	03	VAR - 335113 - REVERSER INTERLOCK MECHANISM
21.130.BC	01	VAR - 744738, 744739, 744744 - GEARSHIFT CONTROL
21.130.BC	02	VAR - 335113, 743846, 744735 - GEAR SPLITTER CONTROL
21.134.AM	01	VAR - 330120, 331120, 743846 - POWER SHUTTLE E SERVO PTO FOR DIFF. LOCK, POWER SHUTTLE VALVE
21.134.AM	02	VAR - 330120, 331120, 743846 - POWER SHUTTLE E SERVO PTO FOR DIFF. LOCK, POWER SHUTTLE VALVE, BREAKDOWN
21.134.AM	03	VAR - 330120, 331120, 743846 - POWER SHUTTLE E SERVO PTO FOR DIFF. LOCK, POWER SHUTTLE VALVE, BREAKDOWN
21.134.AM	04	VAR - 330120, 331120, 743846 - POWER SHUTTLE E SERVO PTO FOR DIFF. LOCK, POWER SHUTTLE VALVE, BREAKDOWN
21.134.AM	05	VAR - 330120, 331120, 743846 - POWER SHUTTLE E SERVO PTO FOR DIFF. LOCK, POWER SHUTTLE VALVE, BREAKDOWN
21.148.AC	01	VAR - 335113, 335116, 390249, 743846, 744735 - BEVEL GEAR
21.148.AC	02	VAR - 335113, 335116, 390249, 743846, 744735 - BEVEL GEAR, SHIM
21.148.AC	03	VAR - 335113, 335116, 390249, 743846, 744735 - CENTRAL REDUCTION GEARS - MEDIUM RANGE GEARS
21.148.AC	04	VAR - 335116 - 12+4 SYNCHRO AND SHAFT
21.148.AK	01	VAR - 334303, 335113, 335116, 390110, 744735 - INNER CONTROLS - ROD AND FORK
21.148.AK	02	VAR - 335113 - INNER CONTROLS - ROD AND FORK
21.148.AK	04	VAR - 743846, 744735 - INNER CONTROLS - ROD AND FORK

---

## TABLE OF CONTENTS

---

21.148.AL	01	VAR - 335116, 390110, 744735 - TRANSMISSION GEARS - SHAFT
21.148.AL	02	VAR - 390110, 744735 - TRANSMISSION GEARS - SHAFT
21.148.AL	03	VAR - 335113 - TRANSMISSION GEARS - SHAFT
21.148.AQ	01	VAR - 390110, 744735 - TRANSMISSION, GEAR SHAFT
21.148.AQ	02	VAR - 330120, 331120, 743846 - TRANSMISSION GEARS
21.148.AQ	03	VAR - 330120, 331120, 743846 - TRANSMISSION, GEAR SHAFT
21.148.AQ	04	VAR - 335116 - TRANSMISSION, GEAR SHAFT
21.148.AQ	05	VAR - 335113 - TRANSMISSION, GEAR SHAFT
21.148.AQ	06	VAR - 335113 - TRANSMISSION GEARS
21.148.AQ	07	VAR - 335113 - TRANSMISSION GEARS
21.148.AQ	08	VAR - 335113 - TRANSMISSION GEARS
21.154.AA	01	VAR - 330120, 331120, 743846 - CLUTCH
21.154.AA	02	VAR - 330120, 331120, 743846 - CLUTCH DISK
21.154.AJ	01	VAR - 330120, 331120, 743846 - DRIVE GEAR SHAFT
21.154.AO	01	VAR - 330120, 331120, 743846 - TRANSMISSION, GEAR
21.160.AI	01	VAR - 335113 - 20X12 TRANSMISSION WITH SYNCHRO SHUTTLE - CREEPER CONTROL LEVER
21.162.AF	01	VAR - 390110, 744735 - REVERSER
23.000.00	01	SECTION INDEX - 4WD LINES
23.101.AK	01	VAR - 334321, 390268, 744738 - 4WD IDLER CONTROL LEVER
23.202.AD	01	VAR - 334321, 390268, 744738 - TRANSMISSION BOXES AND COVERS - 4WD
23.202.AD	02	VAR - 330384, 334322, 744739 - ELECTROHYDRAULIC DIFFERENTIAL LOCK CONTROL, 4WD IDLER CASE
23.202.AD	03	VAR - 330384, 334322, 744739 - 4WD TRANSMISSION SHAFT
23.202.AD	04	VAR - 330384, 334322, 744739 - 4WD TRANSMISSION GEARINGS
23.202.AD	05	VAR - 330384, 334322, 390895, 720450, 744739 - 4WD TRANSMISSION SHAFT
23.202.AI	02	VAR - 334315, 390258, 390895, 720450, 744745 - 4WD TRANSMISSION GEARINGS
23.202.AI	03	VAR - 334396, 334397 - 4WD TRANSMISSION GEARINGS
23.314.AH	01	VAR - 334396, 334397, 720450, 744745 - 4WD PROPELLER SHAFT
23.314.AH	02	VAR - 334315, 390258, 390895, 720450, 744745 - 4WD PROPELLER SHAFT, GUARD
23.314.AH	03	VAR - 330384, 334322, 744739 - 4WD PROPELLER SHAFT
23.314.AH	04	VAR - 330384, 334322, 744739 - 4WD PROPELLER SHAFT, GUARD
23.314.AH	05	VAR - 334396, 334397 - 4WD WATER PROOF PROPELLER SHAFT
23.314.AH	06	VAR - 334396, 334397 - 4WD WATER PROOF PROPELLER SHAFT, GUARD
25.000.00	01	SECTION INDEX - FRONT MECHANICAL DRIVE

---

## TABLE OF CONTENTS

---

25.100.AD	02	VAR - 335325 - 4WD FRONT AXLE, AXLE HOUSING
25.100.AD	03	VAR - 335539 - 4WD FRONT AXLE - AXLE HOUSING
25.100.AV	01	VAR - 334396, 334397, 720450, 744745 - FRONT AXLE SUPPORT
25.102.AB	04	VAR - 335325, 335539 - 4WD FRONT AXLE, BEVEL GEAR
25.102.AB	05	VAR - 335325, 335539 - 4WD FRONT AXLE, BEVEL GEAR, SHIM
25.102.AB	06	VAR - 335325, 335539 - 4WD FRONT AXLE, BEVEL GEAR, SHIM
25.102.AC	02	VAR - 335539 - 4WD FRONT AXLE, SUPPORT
25.102.AC	03	VAR - 335325 - 4WD FRONT AXLE, SUPPORT
25.102.AD	01	4WD FRONT AXLE - DIFFERENTIAL
25.102.AE	02	VAR - 335539 - 4WD FRONT AXLE - DIFFERENTIAL - W/LIMITED SLIP DIFFERENTIAL
25.102.AE	03	VAR - 335325 - 4WD FRONT AXLE, DIFFERENTIAL W/ LIMITED SLIP
25.108.AA	02	4WD FRONT AXLE - AXLE-SHAFT ARTICULATED - BREAKDOWN
25.108.AB	02	VAR - 335325, 335539 - 4WD FRONT AXLE - DIFFERENTIAL GEARS AND DIFFERENTIAL SHAFT
25.108.AG	02	VAR - 335325, 335539 - 4WD FRONT AXLE - STEERING KNUCKLE
25.108.AN	02	VAR - 335325, 335539 - 4WD FRONT AXLE, HUB
25.400.AH	01	VAR - 338860, 390860 - 2WD FRONT AXLE - HUB
25.400.AM	01	VAR - 334413, 390338, 743515 - 2WD FRONT AXLE
25.400.AQ	01	VAR - 334413, 390860, 743515 - 2WD FRONT AXLE, STEERING KNUCKLE
27.000.00	01	SECTION INDEX - REAR DRIVE AXLE
27.106.AB	02	VAR - 744738, 744739, 744744 - DIFFERENTIAL GEARS
27.106.AK	01	VAR - 744738, 744744 - DIFFERENTIAL LOCK CONTROL - ROD AND FORK
27.106.AK	02	VAR - 330384, 334322, 744739 - ROD & FORKS - 4WD
27.106.AL	01	VAR - 744738, 744744 - DIFFERENTIAL LOCK CONTROL - LEVER
27.106.AP	01	VAR - 330384, 334322, 744739 - ELECTROHYDRAULIC DIFFERENTIAL LOCK CONTROL, CONTROL VALVE, 4WD
27.106.AP	02	VAR - 330384, 334322, 744739 - ELECTROHYDRAULIC DIFFERENTIAL LOCK CONTROL - CONTROL VALVE - BREAKDOWN - 4WD
27.106.AR	01	VAR - 744738, 744739, 744744 - DIFFERENTIAL GEAR, SUPPORT
27.120.AD	01	VAR - 334396, 334397, 720450, 744745 - SIDE REDUCER GEARINGS, SHAFT AND BEARINGS
27.120.AI	01	VAR - 720450, 744745 - SIDE REDUCER BOX AND COVERS
27.120.AI	02	VAR - 334396, 334397 - SIDE REDUCER BOX AND COVERS
27.120.AR	01	VAR - 334396, 334397, 720450, 744745 - SHAFT & GEAR
31.000.00		SECTION INDEX - IMPLEMENT POWER TAKE-OFF
31.101.AB	01	VAR - 334394, 335805, 335818, 390813 - PTO CONTROLS
31.101.AB	02	VAR - 334394, 335805, 335818 - PTO, CONTROLS

---

## TABLE OF CONTENTS

---

31.101.AC	01	VAR - 390249 - PTO CONTROLS
31.101.AC	02	VAR - 390249 - PTO CONTROLS, BREAKDOWN
31.101.AC	03	VAR - 330120, 331120, 743846 - PTO CONTROLS
31.101.AC	04	VAR - 330120, 331120, 743846 - PTO CONTROLS
31.110.AB	01	VAR - 390813 - PTO SHAFT, GEAR
31.110.AB	02	VAR - 335818 - SHAFT & GEAR
31.110.AB	03	VAR - 334394, 335805, 335818 - FORK, ROD
31.110.AB	04	VAR - 334394, 335805 - PTO 540/1000 RPM - SHAFT AND GEARS
31.110.AI	01	VAR - 390813 - PTO, COVER
31.110.AI	02	VAR - 334394, 335805, 335818 - PTO, COVER
31.110.AI	03	VAR - 334394, 335805, 335818, 390813, 744751 - PTO, SHIELD
31.110.AO	01	VAR - 330120, 331120, 743846 - POWER SHUTTLE AND SERVO PTO FOR DIFF. LOCK, PTO CLUTCH CONTROL SAND LEVER LINK
31.201.AG	01	VAR - 390249 - PTO SHAFT
31.201.AG	02	VAR - 330120, 331120, 743846 - PTO SHAFT
33.000.00	01	SECTION INDEX - BRAKES & CONTROLS
33.110.AJ	01	VAR - 744738, 744739, 744744 - HAND BRAKE CONTROL
33.110.AJ	02	VAR - 744738, 744739, 744744 - HAND BRAKE, BREAKDOWN
33.120.AD	01	VAR - 744738, 744739, 744744 - BRAKE CONTROLS
33.202.AK		VAR - 744738, 744739, 744744 - BRAKE DISCS
33.202.AN	01	VAR - 744738, 744739, 744744 - BRAKE RESERVOIR
33.202.AR	01	VAR - 333606, 334318, 334319, 391606, 392315 - BRAKE CYLINDER
33.202.BE	01	VAR - 744738, 744739, 744744 - BRAKE CYLINDER PIPING
33.202.BE	02	VAR - 330120, 331120, 335113, 335116, 390110, 390249, 743846, 744735 - BRAKE CYLINDER PIPING
33.202.BN	01	VAR - 333606, 334318, 334319, 391606, 392315 - BRAKE, PEDAL
33.220.AK	01	VAR - 334336, 334337, 744751, 744752, 744753, 744754, 744755 - TRAILER BRAKE LEVER SUPPORT
33.220.AM	01	VAR - 335370, 336370, 337370, 720396 - TRAILER BRAKE VALVE (FRANCE)
35.000.00	01	SECTION INDEX, HYDRAULIC SYSTEMS
35.000.00	02	SECTION INDEX, HYDRAULIC SYSTEMS
35.100.AR	01	HYDRAULIC LIFT, LINE, PRESSURE RELIEF VALVE
35.104.AA	01	VAR - 334314, 390257 - LIFTER PUMP
35.104.AA	02	VAR - 334314, 390257 - LIFTER PUMP, BREAKDOWN
35.104.AF	01	VAR - 334395, 390814 - HYDRAULIC LIFT PIPES, OIL FILTER
35.104.AF	07	VAR - 728054, 728366, 728368, 729103, 729412, 729413, 729417 - HYDRAULIC LIFT PIPES

---

## TABLE OF CONTENTS

---

35.114.AA	01	VAR - 334395, 390814 - LIFTER DISTRIBUTOR AND VALVES
35.114.AA	02	VAR - 334395, 390814 - LIFTER DISTRIBUTOR AND VALVES, BREAKDOWN
35.114.AA	03	VAR - 334395, 390814 - LIFTER DISTRIBUTOR AND VALVES, BREAKDOWN
35.204.BB	01	VAR - 728054, 728366, 728368, 729103, 729412, 729413, 729417 - QUICK COUPLER, COMPONENTS
35.204.BE	01	VAR - 334332, 335103, 729103 - 3 CONTROL VALVES (2 S/D W/FLOAT W/KICK OUT + 1 S/D W/KICK OUT)
35.204.BE	02	VAR - 334332, 335103, 729103 - 3 CONTROL VALVES (2 S/D W/FLOAT W/KICK OUT + 1 S/D W/KICK OUT) - BREAKDOWN
35.204.BE	03	VAR - 334331, 335054, 728054 - 3 CONTROL VALVES (2S/D + 1S/D W/KICK OUT)
35.204.BE	04	VAR - 334331, 335054, 728054 - 3 CONTROL VALVES (2 S/D W/FLOAT W/KICK OUT + 1 S/D W/KICK OUT), BREAKDOWN
35.204.BE	05	VAR - 334328, 335368, 728368 - 2 CONTROL VALVE (1 S/D + 1 DOUBLE ACTING)
35.204.BE	06	VAR - 334328, 335368, 728368 - 2 CONTROL VALVE (1 S/D W/KICK OUT + 1 DOUBLE ACTING) - BREAKDOWN
35.204.BE	07	VAR - 334329, 335413, 729413 - 2 CONTROL VALVE (1 S/D + 1 DOUBLE ACTING WITH FLOAT AND KICK OUT)
35.204.BE	08	VAR - 334329, 335413, 729413 - 2 CONTROL VALVES (1 S/D W/KICK OUT + 1 DOUBLE ACTING W/FLOAT W/KICK OUT), BREAKDOWN
35.204.BE	09	VAR - 334330, 335417, 729417 - 2 CONTROL VALVE (1 S/D W/KICK OUT + 1 DOUBLE ACTING WITH FLOAT AND KICK OUT)
35.204.BE	10	VAR - 334330, 335417, 729417 - 2 CONTROL VALVES (1 S/D W/KICK OUT + 1 DOUBLE ACTING W/FLOAT W/KICK OUT) - BREAKDOWN
35.204.BE	11	VAR - 728366, 729412 - 1 CONTROL VALVE (1 S/D)
35.204.BE	12	VAR - 334325, 335366, 728366 - 1 CONTROL VALVE (1 S/D), BREAKDOWN
35.204.BE	13	VAR - 334326, 334327, 729412 - 1 CONTROL VALVE, BREAKDOWN
35.204.BJ	01	VAR - 728054, 729103 - PIPES
35.204.BJ	02	VAR - 728368, 729413, 729417 - PIPES
35.204.BJ	03	VAR - 728366, 729412 - PIPES
35.204.BJ	04	VAR - 334326, 335366, 728366, 729412 - 1 CONTROL VALVE, PIPES
35.204.BJ	05	VAR - 728368, 729413, 729417 - 2 CONTROL VALVE, PIPES
35.204.BJ	06	VAR - 728054, 729103 - 3 CONTROL VALVE, PIPES
35.204.BL	01	VAR - 728054, 729103 - CONTROL LEVER
35.204.BL	02	VAR - 728054, 729103 - 3 CONTROL VALVES - LEVER AND KNOB - ROPS
35.204.BL	03	VAR - 728368, 729413, 729417 - 2 CONTROL VALVES - LEVER AND KNOB - ROPS
35.204.BL	04	VAR - 728366, 729412 - 1 CONTROL VALVE - LEVER AND KNOB - ROPS
35.204.BL	05	VAR - 728054, 729103 - 3 CONTROL VALVES - LEVER AND KNOB - CAB
35.204.BL	06	VAR - 728368, 729413, 729417 - 2 CONTROL VALVES, LEVER AND KNOB, CAB
35.204.BL	07	VAR - 728366, 729412 - 1 CONTROL VALVE - LEVER AND KNOB - CAB
35.204.BL	08	VAR - 728366, 728368, 729412, 729413, 729417 - CONTROL LEVER
35.204.BS	01	VAR - 334326, 335366, 728366, 729412 - MID-MOUNT VALVES HYDRAULIC CONNECTION - D7276

---

## TABLE OF CONTENTS

---

35.204.BS	02	VAR - 335368, 335413, 335417, 728368, 729413, 729417 - MID-MOUNT VALVES HYDRAULIC CONNECTION - D7276
35.204.BS	03	VAR - 335054, 335103, 728054, 729103 - MID-MOUNT VALVES HYDRAULIC CONNECTION - D7276
35.359.AB	01	VAR - 336125 - 2 MID MOUNT VALVES WITH JOYSTICK, VALVES AND PIPES - C7276
35.359.AB	01A	VAR - 336125 - 2 MID MOUNT VALVES WITH JOYSTICK, VALVES AND PIPES - D7276
35.359.AB	02	VAR - 336125 - TWO FRONT CONTROL VALVES, BREAKDOWN - C7276
35.359.AB	02A	VAR - 336125 - TWO FRONT CONTROL VALVES, BREAKDOWN - D7276
35.701.AX	01	VAR - 334351 - FRONT LOADER HYDRAULIC SYSTEM
35.701.AX	02	VAR - 330489, 334351, 334352 - 4 MULTIFASTER COUPLERS
35.701.AX	03	VAR - 334351, 334352 - FRONT LOADER WITH 4 COUPLERS, FRONT QUICK COUPLINGS
35.701.AX	04	VAR - 334352 - FRONT LOADER HYDRAULIC SYSTEM (SELF LEVELLING)
35.701.CB	01	VAR - 334351, 334352 - LIFT ARM, CYLINDER, COMPONENTS
35.723.AA	01	VAR - 334351 - BUCKET CYLINDER, COMPONENTS
35.723.AA	02	VAR - 334352 - BUCKET CYLINDER, COMPONENTS
35.724.AE	01	VAR - 336125 - 2 MID MOUNTS VALVES WITH JOYSTICK, JOYSTICK AND SUPPORT - C7277
35.724.AE	01A	VAR - 336125 - 2 MID MOUNTS VALVES WITH JOYSTICK, JOYSTICK AND SUPPORT - D7277
35.724.AE	02	VAR - 336125 - JOYSTICK FOR MID MOUNT, BREAKDOWN
37.000.00	01	SECTION INDEX - HITCHES, DRAWBARS AND IMPLEMENT COUPLINGS
37.100.AA	01	VAR - 334340, 334424, 744755 - DRAWBAR AND SUPPORT WITH PIN (HOLE DIAMETER 33MM)
37.100.AA	02	VAR - 744752, 744754 - TRAILER HITCH FRAME WITH HIGH POINT HITCH AND SWINGING DRAWBAR
37.100.AA	03	VAR - 330899 - LINKAGE DRAWBAR
37.100.AA	04	VAR - 335893, 744753 - DRAWBAR AND SUPPORT WITH PIN (FRANCE)
37.100.AB	02	VAR - 334334, 334421, 744751 - TRAILER HITCH FRAME WITH HIGH POINT HITCH AND SWINGING DRAWBAR - BREAKDOWN
37.100.AB	03	VAR - 334335, 334422, 744752 - TRAILER HITCH FRAME WITH HIGH POINT HITCH AND SWINGING DRAWBAR - BREAKDOWN
37.100.AB	04	VAR - 334338, 334423, 744754 - TRAILER HITCH FRAME LESS HIGH POINT HITCH, BREAKDOWN
37.100.AB	05	VAR - 334336, 334337 - SWIVEL TRAILER HITCH WITH SLIDER SUPPORT
37.100.AC	01	VAR - 335892 - FRONT TOW HOOK
37.100.AF	01	VAR - 334336, 334337 - TOW HOOK
37.100.AF	02	VAR - 335893, 744753 - TOW HOOK (FRANCE)
37.108.AD	01	VAR - 334395, 390814 - HYDRAULIC LIFT, CONTROL, KNOB
37.108.AD	02	VAR - 334395, 390814 - LIFT CONTROLS - HANDLE AND LEVERS - CAB
37.108.AD	03	VAR - 334395, 390814 - HYDRAULIC LIFT, CONTROL, KNOB, ROPS
37.108.AE	01	VAR - 334395 - LIFT CONTROLS - CABLE
37.108.AE	02	VAR - 334395 - CONTROL LEVER, BREAKDOWN

---

## TABLE OF CONTENTS

---

37.108.AL	01	VAR - 334395, 390814 - LIFTOMATIC RANGE LIMITER DEVICE
37.110.AK	01	VAR - 744738, 744739, 744744 - HYDRAULIC LIFT, CONTROL SHAFT
37.110.AM	01	VAR - 744738, 744739, 744744 - HYDRAULIC LIFT, HYDRAULIC LIFT, TIE-ROD, LEVER
37.110.AM	02	VAR - 744738, 744739, 744744 - HYDRAULIC LIFT, CONTROL, TIE-ROD, LEVER, BEARING
37.110.AM	03	VAR - 744738, 744739, 744744 - HYDRAULIC LIFT, CONTROL, TIE-ROD, LEVER, BEARING
37.110.AP	01	VAR - 334395, 390814 - HYDRAULIC LIFT, COVER
37.110.AP	02	VAR - 334395, 390814 - LIFTER OIL PAN AND RELATED PARTS
37.110.AQ	01	VAR - 334395, 390814 - LIFT - LIFT ARMS AND ROCKSHAFT
37.110.AQ	02	VAR - 334395, 390814 - LIFT CYLINDER, PISTON
37.120.AA	01	VAR - 334316, 334317, 390259 - IMPLEMENT CARRIER, LINK AND ARM
37.120.AA	02	VAR - 334316, 334317, 390259 - IMPLEMENT CARRIER, SWING CARRIAGE
37.120.AA	03	VAR - 334316, 334317, 390259 - IMPLEMENT CARRIER, UPPER LINK, BREAKDOWN
37.120.AF	01	VAR - 330899, 390269 - 2 PIN TYPE TELESCOPIC STABILIZERS
37.120.AO	01	VAR - 334316 - THREE POINT LINKAGE WITH CAT.2 FLEXIBLE ENDS
37.120.AO	03	VAR - 334316 - TELESCOPIC LINK ENDS - BREAKDOWN
37.120.AV	01	VAR - 334316, 334317, 390259 - RH SIDE ADJUSTABLE TIE-ROD, BREAKDOWN
39.000.00	01	SECTION INDEX - FRAMES AND BALLASTINGS
39.140.AF	01	VAR - 335018, 335019, 335020, 335024 - FRONT SUPPORT AND WEIGHTS WITH HOOK
39.140.AF	02	VAR - 335225 - FRONT SUPPORT AND WEIGHT WITH HOOK
39.140.AL	01	VAR - 330470, 330471 - REAR BALLAST
41.000.00	01	SECTION INDEX - STEERING
41.101.AA	01	VAR - 333606, 334318, 334319, 391606, 392315 - STEERING WHEEL
41.101.AB	01	VAR - 333606, 334318, 334319, 391606, 392315 - STEERING COLUMN
41.106.AB	01	VAR - 338860, 390860 - 2WD, FRONT AXLE, LEVER
41.106.AC	01	VAR - 334413, 390338, 743515 - 2WD, FRONT AXLE
41.106.AD	02	VAR - 335325 - 4WD FRONT AXLE, TIE-ROD
41.106.AD	03	VAR - 335539 - CLASS 2 FRONT AXLE WITH 2ND STEERING CYLYNDER & LIMITED SLIP (30KM/H) - TIE ROD
41.200.AL	01	VAR - 330120, 331120, 743846 - STEERING ASSY, FILTER, COMPONENTS
41.200.AO	01	VAR - 390249, 743846, 744738, 744739, 744744 - HYDRAULIC STEERING HOSE
41.200.AO	02	VAR - 744738, 744739, 744744 - HYDRAULIC STEERING HOSE RETURN
41.200.AO	03	VAR - 330384, 744739 - HYDRAULIC STEERING HOSE RETURN
41.200.AO	04	VAR - 330120, 331120, 743846 - HYDRAULIC STEERING HOSE
41.200.CA	01	VAR - 333606, 334318, 334319, 391606, 392315 - STEERING CONTROL VALVE



---

## TABLE OF CONTENTS

---

41.206.AA	01	VAR - 330120, 331120, 390249, 743846 - HYDRAULIC STEERING PUMP
41.206.AA	02	VAR - 330120, 331120, 390249, 743846 - POWER STEERING PUMP, BREAKDOWN
41.206.AJ	01	VAR - 330120, 331120, 390249, 743846 - HYDRAULIC STEERING, PUMP, LINE
41.216.AN	01	VAR - 334413, 390338, 743515 - 2WD FRONT AXLE, HYDRAULIC STEERING CYLINDER HOSES
41.216.AN	02	VAR - 334413, 390338, 743515 - 2WD FRONT AXLE, HYDRAULIC STEERING CYLINDER, BREAKDOWN
41.216.AN	07	VAR - 335325 - 4WD FRONT AXLE - HYDRAULIC STEERING CYL
41.216.AN	08	VAR - 335325 - 4WD, FRONT AXLE, HYDRAULIC STEERING, CYLINDER, COMPONENTS
41.216.AN	10	VAR - 335539 - FRONT AXLE - HYDRAULIC STEERING CYLINDER - BREAKDOWN
41.216.AV	01	VAR - 335539 - HYDRAULIC STEERING CYLINDER LINES
44.000.00	01	SECTION INDEX - WHEELS
44.000.00	02	SECTION INDEX - WHEELS
44.511.AE	03	WHEEL, FRONT, 4WD
44.511.AE	05	WHEEL, FRONT, 4WD
44.511.AE	06	WHEEL, FRONT, 4WD
44.511.AE	08	WHEEL, FRONT, 4WD
44.511.AE	09	WHEEL, FRONT, 2WD
44.511.AE	10	WHEEL, FRONT, 2WD
44.511.AE	11	WHEEL, FRONT, 2WD
44.520.AB	02	WHEEL, REAR
44.520.AB	03	WHEEL, REAR
44.520.AB	05	WHEEL, REAR
44.520.AB	06	WHEEL, REAR
44.520.AB	07	WHEEL, REAR
44.520.AB	08	WHEEL, REAR
50.000.00	01	SECTION INDEX - CAB CLIMATE CONTROL
50.100.AC	01	VAR - 330641, 390641 - HEATER, HOSE
50.100.AP	01	VAR - 390641 - HEATER
50.100.AP	02	VAR - 390641 - HEATER, COMPONENT
50.104.AO	01	VAR - 330641, 390641 - AIR DUCT, GRILLE
50.104.AQ	01	VAR - 330641, 390641 - AIR FILTER, CAB
50.200.AK	01	VAR - 330641 - AIR CONDITIONER, CONDENSER
50.200.BB	01	VAR - 330641 - CONDENSER RECEIVER-DRYER HOSES
50.200.BY	01	VAR - 330641 - AIR CONDITIONER, LINE
50.200.CA	01	VAR - 330641 - AIR CONDITIONER

---

## TABLE OF CONTENTS

---

50.200.CA	02	VAR - 330641 - AIR CONDITIONER, COMPONENT
55.000.00	02	SECTION INDEX - ELECTRICAL SYSTEMS
55.000.00	03	SECTION INDEX - ELECTRICAL SYSTEMS
55.000.00	04	SECTION INDEX - ELECTRICAL SYSTEMS
55.010.AP	01	VAR - 333606, 334318, 334319, 391606, 392315 - ENGINE FUEL SENSOR
55.010.AQ	02	VAR - 334296 - WATER SEPARATOR, SENSOR
55.014.AC	01	VAR - 330200, 390227 - AIR CLEANER, RESTRICTION SWITCH, INDICATOR
55.015.AB	01	VAR - 333606, 334318, 334319, 391606, 392315 - ENGINE HARNESS
55.023.AA	01	VAR - 330120, 331120, 743846 - HYDRAULIC GEARBOX CONTROLS (POWER SHUTTLE) - SENSOR
55.030.AB	01	VAR - 744738, 744739, 744744 - BRAKE, SENSOR
55.031.AE	01	VAR - 333606, 334318, 334319, 391606, 392315 - PARKING BRAKE, SWITCH
55.046.AH	01	VAR - 743846, 744739 - DIFFERENTIAL LOCK, CONTROL, SWITCH
55.047.AD	01	VAR - 330120, 331120, 390249, 743846 - POWER STEERING KIT, PRESSURE SWITCH
55.048.AB	01	VAR - 333606, 334318, 334319, 391606, 392315 - PTO, CONTROL LEVER, SWITCH
55.051.AA	01	VAR - 330641 - AIR CONDITIONER, CONTROL PANEL, BREAKDOWN
55.051.AB	01	VAR - 390641 - HEATING SYSTEM, CONTROL PANEL, BREAKDOWN
55.100.DO	01	VAR - 333606, 391606 - FUSE BOX, CAB
55.100.DO	02	VAR - 334318, 334319, 392315 - FUSE BOX, ROPS
55.201.AH	01	VAR - 333606, 334318, 334319, 391606, 392315 - ENGINE STARTER SAFETY SWITCH
55.202.AY	01	VAR - 330203 - THERMOSTART
55.301.AA		VAR - 334299 - ALTERNATOR
55.302.AG	01	VAR - 330740, 335210 - BATTERY MOUNTING
55.302.AV	01	VAR - 333606, 334318, 334319, 391606, 392315 - BATTERY CABLES
55.404.AC	01	VAR - 334343, 335914 - ROTARY BEACON, CAB
55.404.AC	02	VAR - 334343, 335914 - ROTARY BEACON, ROPS
55.404.BA	01	VAR - 334342, 334343 - NUMBER PLATE LIGHT
55.404.BH	01	VAR - 334344, 334345, 334346, 334347, 335914 - REFLECTOR, REAR
55.404.BS	01	VAR - 335767 - WORK LIGHT, ROPS
55.404.CA	01	VAR - 334344, 334345, 334346, 334347, 335914 - FRONT TURN INDICATORS
55.404.CL	01	VAR - 334344, 334345, 335346, 335347, 335914 - REAR TURN INDICATORS
55.404.CY	01	VAR - 334342, 334343, 334344, 334345, 334346, 334347, 335914 - ROAD LIGHTS - FRONT HEADLAMPS
55.405.CH	01	VAR - 334343, 335914 - ROTARY BEACON, SWITCH, CAB
55.405.CH	02	VAR - 334343, 335914 - ROTARY BEACON, SWITCH, ROPS
55.408.AG	01	VAR - 333606, 334318, 334319, 391606, 392315 - SIGNAL HORN AND RELATED PARTS

---

## TABLE OF CONTENTS

---

55.408.BE	01	VAR - 334353, 335001, 336001, 744258 - REVERSE SPEED ALARM
55.408.CA	01	VAR - 333606, 334318, 334319, 391606, 392315 - INSTRUMENT CLUSTER
55.510.AF	01	VAR - 333606, 334318, 334319, 391606, 392315 - MAIN HARNESS
55.510.AF	02	VAR - 333606, 334318, 334319, 391606, 392315 - MAIN HARNESS
55.510.AH	01	VAR - 333606, 334318, 334319, 391606, 392315 - CAB ROOF, WIRE HARNESS
55.510.BM	01	VAR - 334342, 334344, 334345, 334346, 334347 - AUXILIARY POWER SOCKET
55.510.BM	02	VAR - 335394 - INSIDE CAB POWER SOCKET
55.512.AA	01	VAR - 390777 - LESS RADIO READY, CAB
55.512.AA	02	VAR - 333777 - CAB, RADIO
55.512.AA	03	VAR - 330777 - CAB, 2 SPEAKERS AND ANTENNA
55.512.BG	01	VAR - 330384, 333606, 334318, 334319, 334322, 391606, 392315, 743384 - ELECTRIC CONTROLS, SWITCHES
55.512.BG	02	VAR - 333606, 334318, 334319, 391606, 392315 - ELECTRIC SYSTEM CONTROL, SWITCH
55.514.AA	01	VAR - 334344, 334345, 334346, 334347, 335914 - CAB LIGHTING
55.514.AB	01	VAR - 335709, 335769 - CAB WORK LIGHT
55.518.AH	01	VAR - 334339, 334402, 334403, 334404 - REAR WINDSHIELD WIPER
55.518.AT	01	VAR - 334402, 334404 - WINDSHIELD WIPER TANK
55.518.AT	02	VAR - 334399, 334403 - WINDSHIELD WIPER TANK
55.518.AW	01	VAR - 334399, 334402 - FRONT WINDSHIELD WIPER
55.518.AW	02	VAR - 334403, 334404 - PARALLEL FRONT WINDSHIELD WIPER
82.000.00	01	PICTORIAL INDEX - FRONT LOADER
82.100.AF	01	VAR - 334351 - FRONT LOADER WITH 4 COUPLERS AND GRILL GUARDS
82.100.AF	02	VAR - 334351 - LOADER ARM, BREAKDOWN
82.100.AF	03	VAR - 334351 - FRONT LOADER, BREAKDOWN, LOADER ARM AND LEVER
82.100.AF	04	VAR - 334351, 334352 - FRONT LOADER, BREAKDOWN, PARKING LEG AND PIPE PROTECTION
82.100.AF	05	VAR - 334351, 334352 - LOADER, FRONT, LINK
82.100.AF	06	VAR - 334352 - FRONT LOADER WITH 4 COUPLERS AND GRILL GUARDS (SELF LEVELLING)
82.100.AF	07	VAR - 334352 - LOADER ARM (SELF LEVELLING), BREAKDOWN
82.100.AF	08	VAR - 334352 - FRONT LOADER (SELF LEVELLING), BREAKDOWN, LOADER ARM LEVER
82.100.AI	01	VAR - 330489, 334351, 334352 - FRONT LOADER WITH 4 COUPLERS, REAR BRACKETS
82.100.BG	01	VAR - 334351 - FRONT LOADER, BREAKDOWN, PINS ARM AND LEVER
82.100.BG	02	VAR - 334352 - FRONT LOADER, BREAKDOWN, PINS ARM AND LEVER
82.300.AN	01	VAR - 334351, 334352 - FRONT LOADER WITH 4 COUPLERS AND GRILL GUARDS, LOADER BUCKET
82.300.AX	01	VAR - 334351, 334352 - FRONT LOADER, BREAKDOWN, QUICK COUPLER BUCKET

**Thanks very much for your reading,  
Want to get more information,  
Please click here, Then get the complete  
manual**

**JustClickHere** 

**NOTE:**

**If there is no response to click on the link above,  
please download the PDF document first, and then  
click on it.**

**Have any questions please write to me:  
[admin@servicemanualperfect.com](mailto:admin@servicemanualperfect.com)**