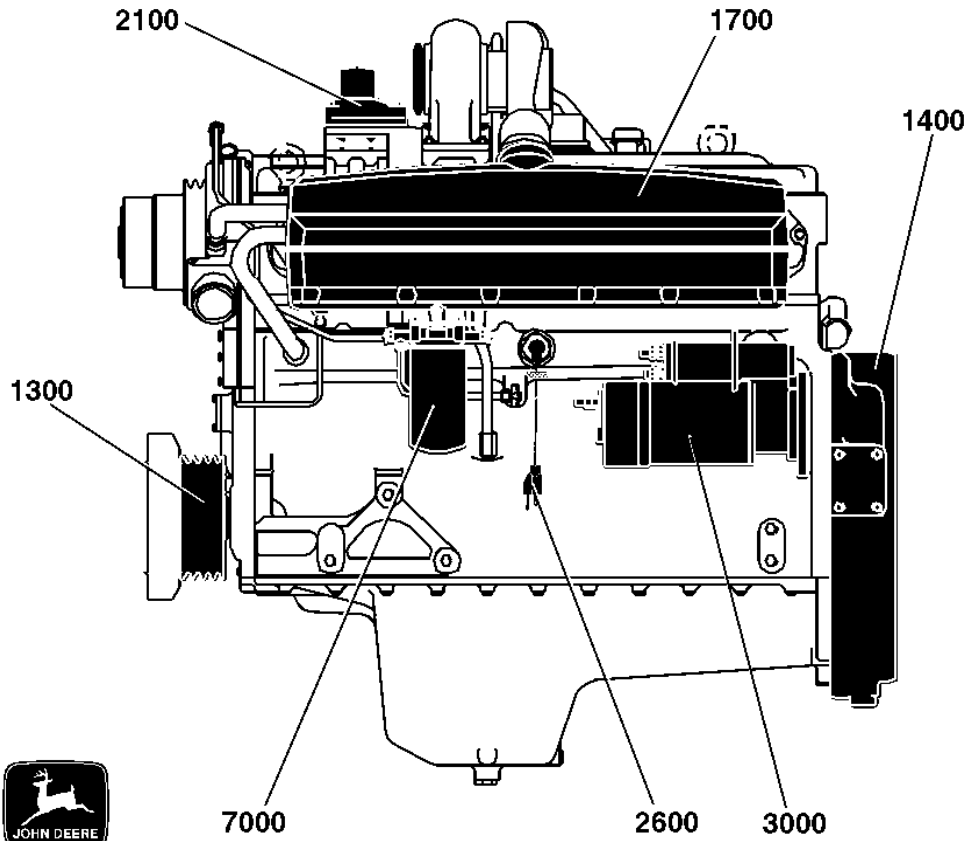


1A2

6101 OEM ENGINES(WATERLOO)

PRIMARY PICTORAL INDEX

RGP6948 -UN-28MAR01

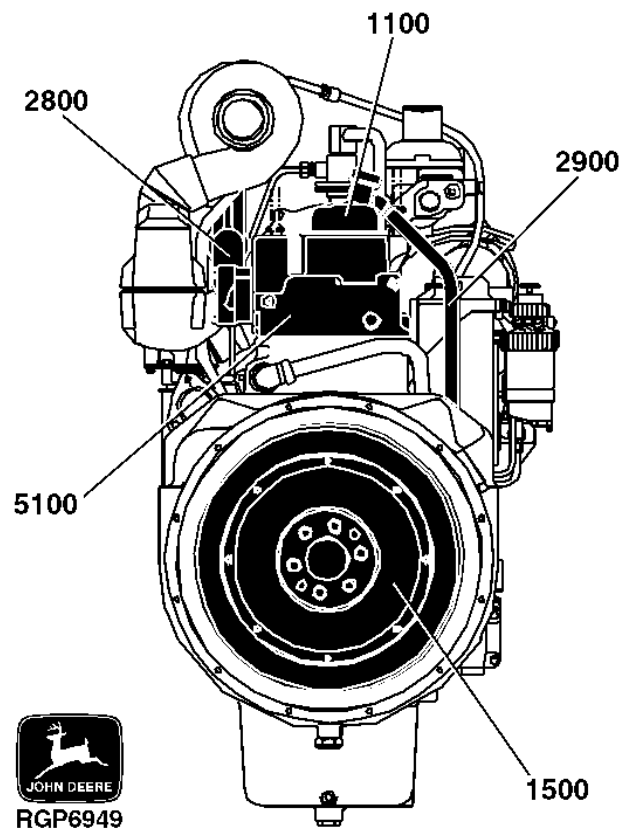


1A3

6101 OEM ENGINES(WATERLOO)

PRIMARY PICTORAL INDEX

RGP6949 -UN-28MAR01

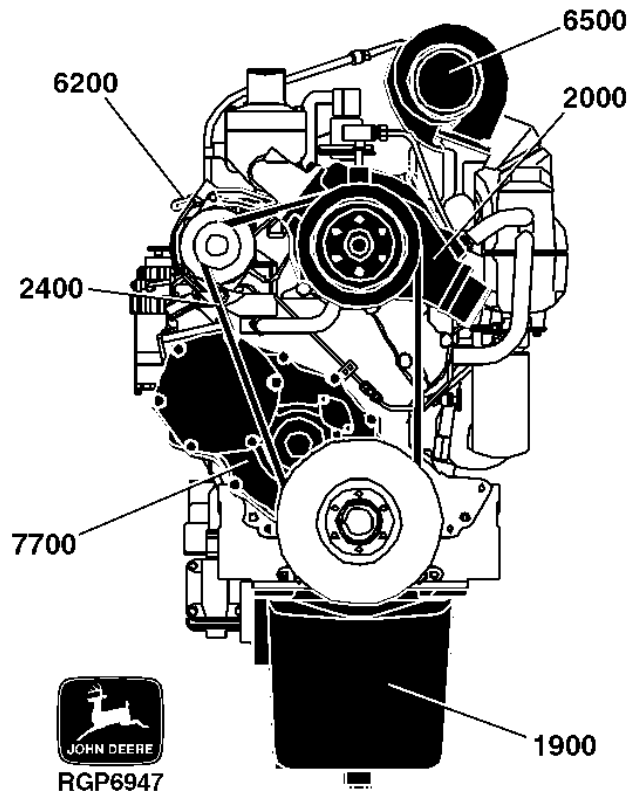


1A4

6101 OEM ENGINES(WATERLOO)

PRIMARY PICTORAL INDEX

RGP6947 -UN-28MAR01

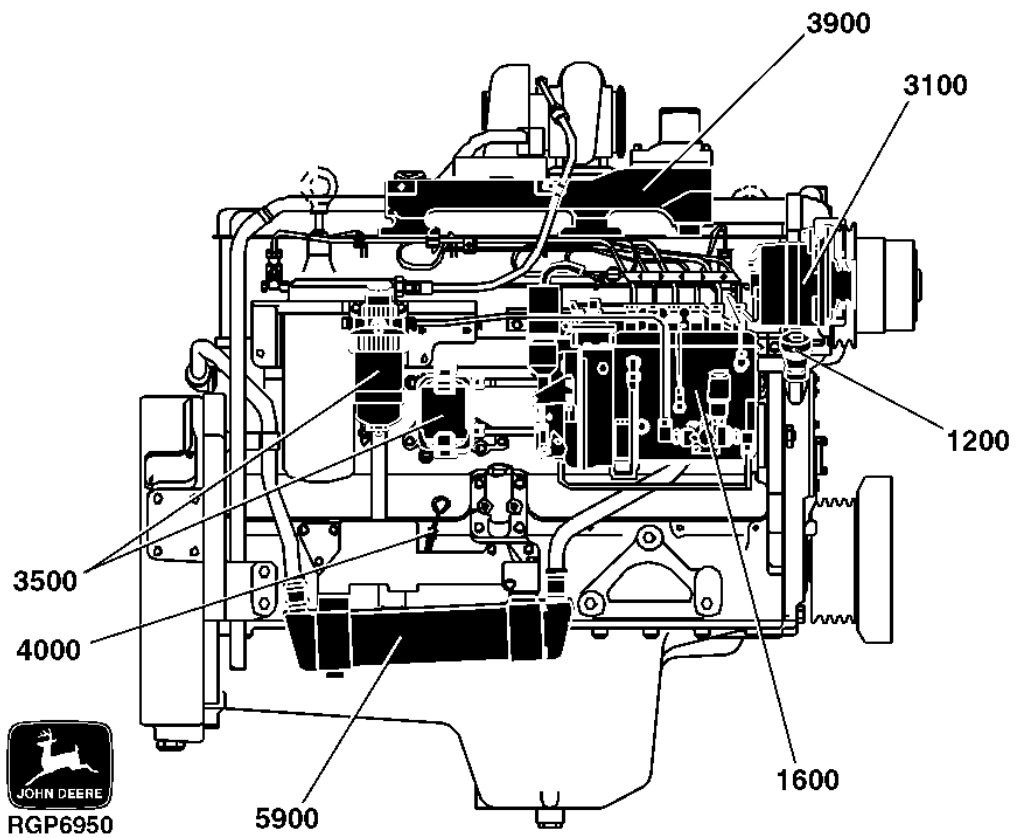


1A5

6101 OEM ENGINES(WATERLOO)

PRIMARY PICTORAL INDEX

RGP6950 -UN-28MAR01



**Thanks very much for your reading,
Want to get more information,
Please click here, Then get the complete
manual**

JustClickHere 

NOTE:

**If there is no response to click on the link above,
please download the PDF document first, and then
click on it.**

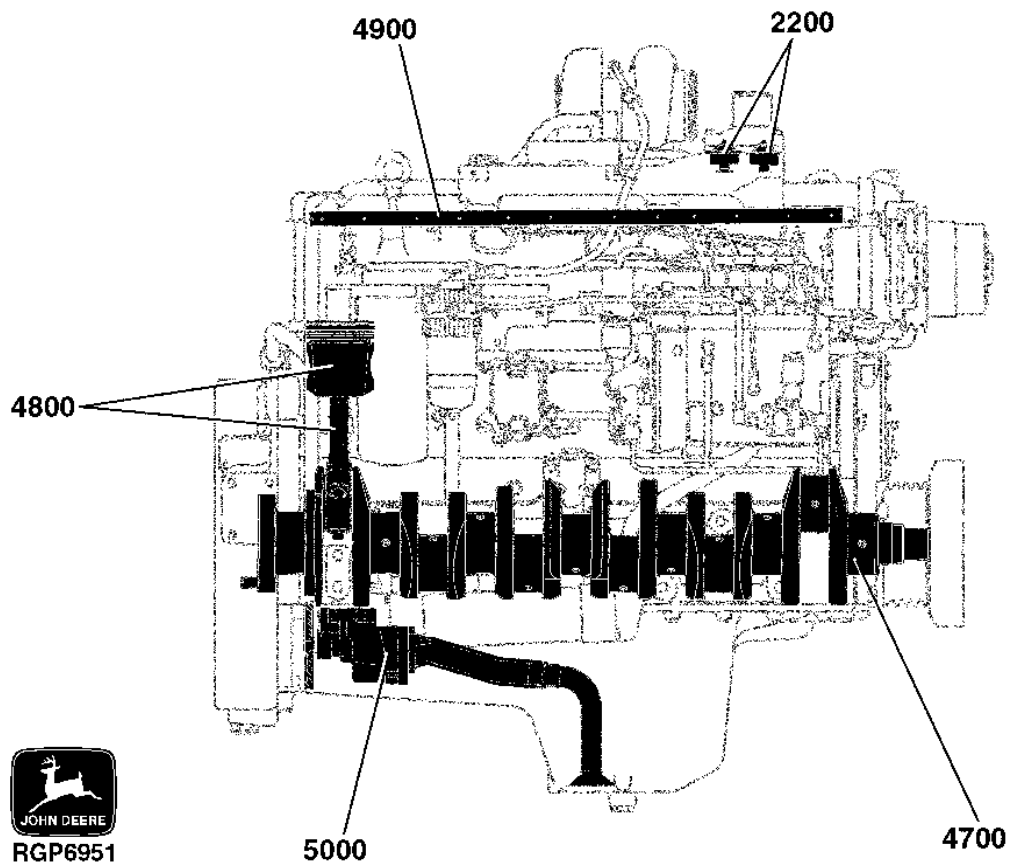
**Have any questions please write to me:
admin@servicemanualperfect.com**

1A6

6101 OEM ENGINES(WATERLOO)

PRIMARY PICTORAL INDEX

RGP6951 -UN-28MAR01

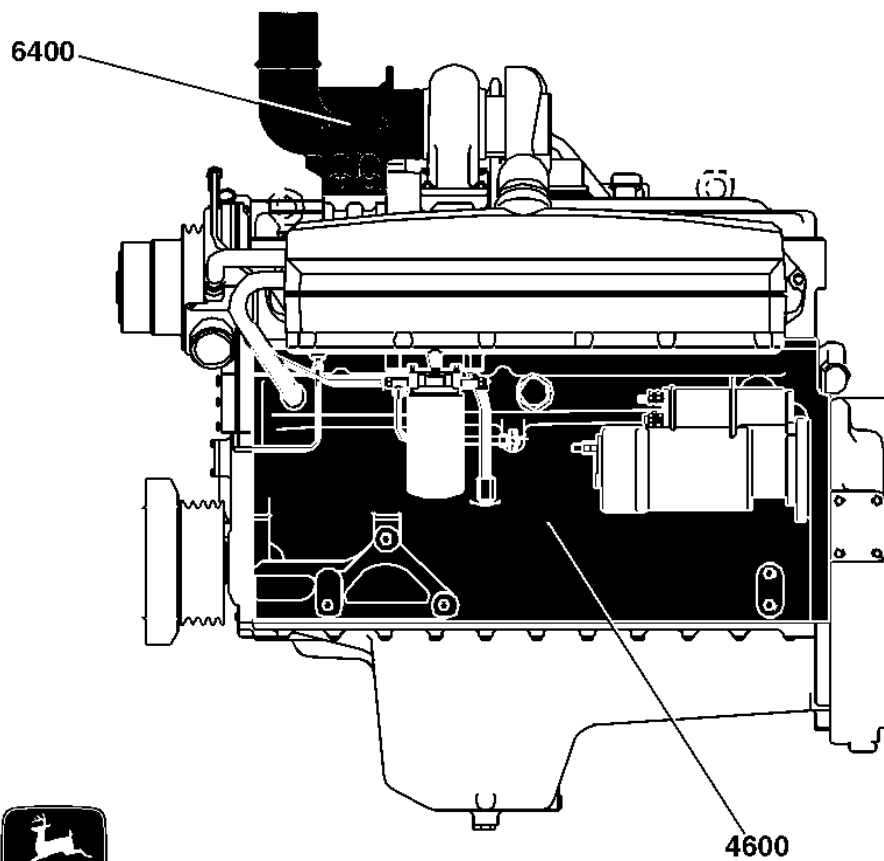


1A7

6101 OEM ENGINES(WATERLOO)

PRIMARY PICTORAL INDEX

RGP6984 -UN-28MAR01

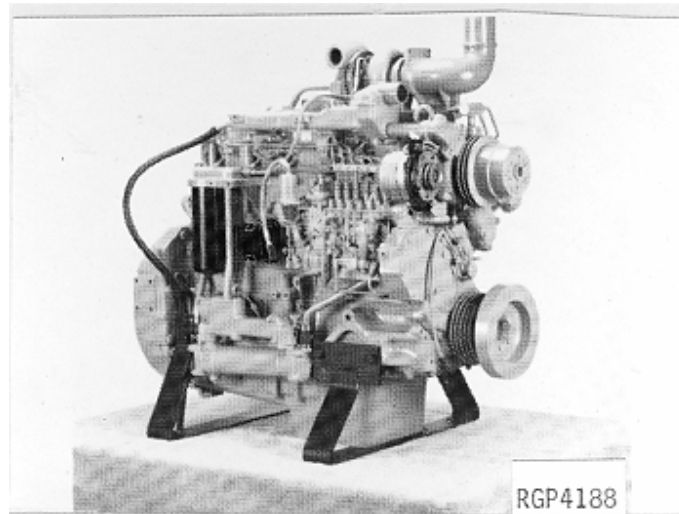


RGP6984

1A8

6101 OEM ENGINES(WATERLOO)

RGP4188 -UN-01JAN94



ENGINE - 6101AF010 AND 6101HF010

SPECIFICATIONS AND DESIGN SUBJECT TO CHANGE WITHOUT NOTICE.

TO OUR CUSTOMER

THE PART NUMBERS IN THIS PARTS CATALOG WERE CORRECT AT THE TIME YOUR ENGINE WAS MANUFACTURED. IT IS OUR POLICY TO CONSTANTLY IMPROVE OUR ENGINES AND, THEREFORE, PART NUMBERS MAY CHANGE. WHEN ORDERING PARTS, VERIFY PART NUMBERS THROUGH YOUR DEALER'S CATALOG WHICH IS UP-TO-DATE.

1A9

6101 OEM ENGINES(WATERLOO)

ORDERABLE OPTION CODES FOR ENGINE MODEL(S) 6101AF010

1104	2204	4603
1201	2403	4701
1304	2406	4803
1401	2601	4902
1505	2602	5001
1506	2801	5002
1507	2804	5102
1601	2901	5510
1602	2902	5915
1610	3004	6205
1611	3005	6208
1612	3114	6401
1613	3132	6402
1614	3139	6501
1632	3520	6502
1702	3542	6504
1730	3903	6505
1916	4003	7002
2003	4006	7701
2101	4402	
2102	4420	

BASIC ENGINE PARTS (WITHOUT OPTION CODES)

9700	9900
------	------

1A10

6101 OEM ENGINES(WATERLOO)

ORDERABLE OPTION CODES FOR ENGINE MODEL(S) 6101HF010

1104	2204	4701
1201	2403	4803
1301	2406	4902
1304	2601	5001
1401	2602	5002
1499	2801	5102
1505	2804	5510
1506	2901	5915
1507	3004	6205
1601	3005	6208
1602	3114	6401
1603	3132	6403
1610	3139	6405
1612	3511	6501
1632	3542	6503
1702	3903	6504
1916	4003	7007
2003	4006	7701
2101	4402	
2102	4420	

BASIC ENGINE PARTS (WITHOUT OPTION CODES)

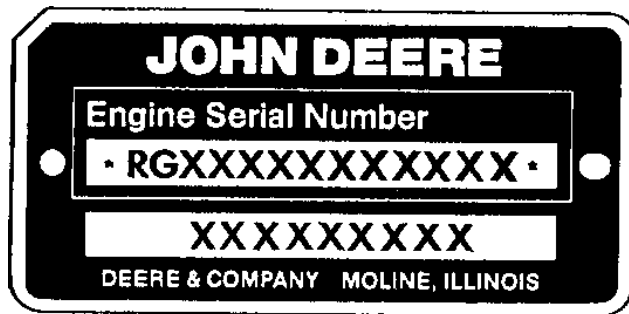
9700	9900
------	------

1A11

6101 OEM ENGINES(WATERLOO)

TWO LINE ENGINE SERIAL NUMBER PLATE

RGP3283 -UN-01JAN94



RGP3283

FIRST LINE

- | | |
|--|--|
| 1. DESIGNATES ENGINE MANUFACTURER. | RG- WATERLOO ENGINE WORKS |
| 2. DESIGNATES NUMBER OF CYLINDERS. | 6 |
| 3. DESIGNATES LITER DISPLACEMENT. | 101 10.1 LITERS |
| 4. DESIGNATES TYPE OF AIR INTAKE SYSTEM. | A - TURBOCHARGED AND AFTERCOOLED
H - AIR-TO-AIR |
| 5. DESIGNATES USER | F - OEM |
| 6. DESIGNATES ENGINE SERIAL NUMBER. | XXXXXX |

SECOND LINE

6101AF000	OEM
6101AF010	
6101HF010	



1A12

6101 OEM ENGINES(WATERLOO)

OPTION CODE LABEL

IN ADDITION TO THE SERIAL NUMBER PLATE, OEM ENGINES HAVE AN ENGINE OPTION CODE LABEL AFFIXED TO THE ROCKER ARM COVER. THESE CODES INDICATES WHICH OF THE OPTIONS WERE INSTALLED ON YOUR ENGINE AT THE FACTORY. WHEN IN NEED OF PARTS OR SERVICE, FURNISH YOUR AUTHORIZED SERVICING DEALER OR ENGINE DISTRIBUTOR WITH THESE NUMBERS. THE FIRST TWO DIGITS OF EACH CODE IDENTIFY A SPECIFIC GROUP, SUCH AS AN ALTERNATOR. THE TWO LAST DIGITS OF EACH CODE IDENTIFY ONE SPECIFIC OPTION PROVIDED ON YOUR ENGINE, SUCH AS A 12 VOLTS, 55 AMPERES ALTERNATOR. IF AN ENGINE IS ORDERED WITHOUT A PARTICULAR COMPONENT, THE LAST TWO DIGITS OF THAT FUNCTIONAL GROUP OPTION CODE WILL BE 99.

TP49602 -UN-03APR97

JOHN DEERE	
ORDER OPTION	BASIC ENGINE CODES
 SERIAL NO.	
	

TP49602

1A13

6101 OEM ENGINES(WATERLOO)

SERIAL NUMBER LISTING INFORMATION

SERIAL NUMBER INFORMATION IS LISTED TO SHOW ON WHICH MACHINES EACH PART CAN BE USED; FOR EXAMPLE:

- THE PART CAN BE USED ON ALL MACHINES.
- 000000- THE PART CAN BE USED ON ALL MACHINES BEGINNING WITH THE SERIAL NUMBER LISTED.
- 000000 THE PART CAN BE USED ON ALL MACHINES UP TO AND INCLUDING THE SERIAL NUMBER LISTED.
- 000000-000000 THE PART CAN BE USED ON ALL MACHINES BETWEEN AND INCLUDING THE SERIAL NUMBERS LISTED.

WHEN XXXXXX'S ARE LISTED IN PLACE OF A SERIAL NUMBER, A SERIAL NUMBER CHANGE WAS MADE BUT THE EXACT SERIAL NUMBER WAS NOT AVAILABLE WHEN THE CATALOG WAS PRODUCED.

DIRECTION ARROW

ARROWS ARE USED WITH ILLUSTRATIONS TO INDICATE THE FRONT OF THE ENGINE. "RIGHT-HAND" AND "LEFT-HAND" SIDES ARE DETERMINED BY STANDING AT THE DRIVE OR PTO END AND FACING THE ENGINE.

BOX-ENCLOSED ILLUSTRATIONS

A KEY NUMBER, SHOWN IN THE PARTS LIST, IS ASSIGNED TO A BOX ENCLOSING ALL PARTS SOLD AS A SERVICE ASSEMBLY.

BOLT AND CAP SCREW STRENGTH IDENTIFICATION

BOLTS AND CAP SCREWS REQUIRED TO HAVE HIGH-STRENGTH QUALITIES EQUIVALENT TO SAE GRADE 8 ARE IDENTIFIED THROUGHOUT THIS CATALOG BY THE DESCRIPTION HS SAE 8. ALL STANDARD BOLTS AND CAP SCREWS ARE SAE GRADE 5 OR LOWER.

COMPLETE GOODS LISTINGS

COMPLETE GOODS ARE LISTED IN BOLD FACE TYPE. ORDER SEPARATELY. DO NOT INCLUDE ON REPLACEMENT PARTS ORDER.

SI UNITS OF MEASURE

METRIC DIMENSIONS ARE GIVEN, WHERE APPLICABLE, THROUGHOUT THIS PARTS CATALOG.

1A14

6101 OEM ENGINES(WATERLOO)

ACCESSORY CODE PLATE

RGP4189 -UN-01JAN94

1304	1401	1506	1602	1730	1916	2102	2403	2699
2804	3004	3114	3520	4003	4499	5602	6205	6401
6502								



DEERE & CO.
U. S. A.

BASE CODE 1945F
UNIT SN R66101A501024 MODEL 6101AF010 (L)

RGP4189

TO ASSIST YOUR DEALER IN GIVING YOU PROMPT AND EFFICIENT SERVICE, A CODE PLATE IS ATTACHED TO YOUR ENGINE. THIS CODE PLATE WILL IDENTIFY PARTS THAT ARE UNIQUE TO THE ORIGINAL EQUIPMENT MANUFACTURER'S APPLICATION BY OPTIONAL CODE. THE BASIC ENGINE CODE IDENTIFIES THE ENGINE MODEL.

ACCESSORIES NOT SOLD BY YOUR DEALER WILL BE INDICATED BY THE DESIGNATION "00". THE ORIGINAL EQUIPMENT MANUFACTURER WILL BE RESPONSIBLE FOR WARRANTY SERVICE ON THIS CATEGORY OF ACCESSORY.

1A15

6101 OEM ENGINES(WATERLOO)

CODES USED IN "REMARKS" COLUMN

RGP10986 -UN-30NOV04

	ENGLISH	FRANCAIS	DEUTSCH
ALSO ORDER	ALSO ORDER	COMMANDER AUSSI	EBENSO BESTELLEN
AMP	AMPERE	AMPERE	AMPERE
AND	AND	ET	UND
APPL	THIS APPLICATION ONLY	UNIQUEMENT POUR CETTE UTILISATION	NUR FUR DIESE ANWENDUNG
AR	AS REQUIRED	SELON LE BESOIN	NACH BEDARF
ASSY	COMPLETE ASSEMBLY	ENSEMBLE COMPLET	KOMPLETTE BAUGRUPPE
COMPLETE	COMPLETE	COMPLET	VOLLSTANDIG
FRONT	FRONT	AVANT	VORN
HP	HORSEPOWER	PUISSANCE EN CV	PFERDESTARKE
ID	INSIDE DIAMETER	DIAMETRE INTERIEUR	INNENDURCHMESSER
INCL KEYS	INCLUDES KEYS	COMPREND LES REPERES...	EINSCHLIEBLICH TEILE
KIT	KIT	JEU	SATZ
LH	LEFT HAND	GAUCHE	LINKS
LOW	LOWER	INFERIEUR	UNTEN
MARKED	MARKED	MARQUE	MARKIERT
MF	MAKE FROM	REALISER AVEC	HERSTELLEN VON
MFWD	MECHANICAL FRONT WHEEL DRIVE	TRACTION AVANT MECANIQUE	MECHANISCHER FRONTANTRIEB
NA	NOT USED THIS APPLICATION	NE SERT PAS POUR CETTE APPLICATION	NICHT BENUTZT
NLA	NO LONGER AVAILABLE	EPUISE	NICHT MEHR LIEFERBAR
NSBP	NOT SUPPLIED SEPARATELY	NON LIVRE SEPAREMENT	EINZELN NICHT LIEFERBAR
OD	OUTSIDE DIAMETER	DIAMETRE EXTERIEUR	AUßENDURCHMESSER
OR	OR	OU	ODER
ORDER	ORDER	COMMANDER	BESTELLE
OS	OVERSIZE	SURDIMENSIONNE	UEBERGROSSE
PKG	PACKAGE	PAR PAQUET DE	VERPACKT ZU
REAR	REAR	ARRIERE	HINTEN
REMANUFACTURED	REMANUFACTURED	ECHANGE STANDARD	GENERALUEBERHOLT
RH	RIGHT HAND	DROIT	RECHTS
STD	STANDARD	STANDARD	STANDARD
SUB	REPLACED BY	REMPLACE PAR	ERSETZT DURCH
SUB FOR	SUBSTITUTES FOR	REMPLACE	ERSATZ FUR
TK	THICKNESS	EPAISSEUR	STARKE
UP	UPPER	SUPERIEUR	OBEN
US	UNDERSIZE	SOUS-DIMENSIONNE	UNTERGROSSE
USE WITH	USE WITH	A UTILISER AVEC	BENUTZEN MIT
W/	WITH	AVEC	MIT
W/O	WITHOUT	SANS	OHNE
Z	GEAR AND SPROCKET TEETH NUMBER	NOMBRE DE DENTS DES PIGNONS	ZAHNEZAHL FUR KETTEN- UND ZAHNHAU

RGP10986

1A16

6101 OEM ENGINES(WATERLOO)

CODES USED IN "REMARKS" COLUMN

RGP10987 -UN-30NOV04

	ITALIANO	ESPAÑOL	SVENSKA
ALSO ORDER	ORDINARE ANCHE	PEDIR TAMBIEN	BES TALL AVEN
AMP	AMPERE	AMPERIO	AMPERE
AND	E	Y	OCH
APPL	SOLO PER QUESTO IMPIEGO	TAN SOLO PARA ESTE PROPOSITO	ENDAST FÖR DENNA ANVÄNDNING
AR	SECONDO NECESSITA	SEGUN NECESIDAD	VID BEHOV
ASSY	GRUPPO COMPLETO	CONJUNTO COMPLETO	KOMPLETT SATS
COMPLETE	COMPLETO	COMPLETO	FULLSTÄNDIG
FRONT	ANTERIORE	FRENTE	FRAM
HP	POTENZA IN CAVALLI	POTENCIA	HASTKRAFT
ID	DIAMETRO INTERNO	DIAMETRO INTERIOR	INRE DIAMETER
INCL KEYS	CHIAVETTE INCLUSE	INCLUYE LAS POSICIONES	INKLUSIVE NYCKLAR
KIT	CORREDO	JUEGO	SATS
LH	SINISTRA	IZQUIERDA	VÄNSTER SIDA
LOW	INFERIORE	MÁS BAJO	NEDRE
MARKED	MARCATO	MARCADO	MARKT
MF	FABBRICARE DI	HACER DE	TILLVERKA AV
MFWD	TRAZIONE ANTERIORE MECCANICA	TRACCION DELANTERA MECANICA	MEKANISK FRAMHJULSDRIFT
NA	NON USATO IN QUESTA APPLICAZIONE	NO SE USA EN ESTA APLICACION	EJ ANVÄND I DETTA SAMMANHANG
NLA	NON PIU' DISPONIBILE	DESCONTINUADO	EJ LÅNGRE TILLGÄNGLIG
NSEP	NON LORNITO SEPARATAMENTE	NO SE SUMINISTRA POR SEPARADO	KAN EJ ERHÅLLAS SEPARAT
OD	DIAMETRO ESTERNO	DIAMETRO EXTERIOR	YTTRRE DIAMETER
OR	OPPURE	O	ELLER
ORD	ORDINARE	ORDINAR	ORDER, REKVISITION
OS	EXTRA GRANDE	SOBRETAMANO	ÖVERDIMENSIONERAD
PKG	IN CONFEZIONE DA	POR PAQUETE DE	I SATS ELLER PAKET
REAR	POSTERIORE	TRASERO	BAK, BAKRE
REMANUFACTURED	RIFATTO	REFABRICADOR POR	RENOVERAD
RH	DESTRA	DERECHA	HÖGER
STD	STANDARD	NORMAL	STANDARD
SUB	SOSTITUITO PER	SUSTITUIDO POR	ERSATT MED
SUB FOR	SOSTITUISCE	SUSTITUCION PARA	ERSÄTTER
TK	SPESSORE	ESPESOR	TJOCKLEK
UP	SUPERIORE	SUPERIOR	ÖVERE
US	EXTRA PICCOLO	SUBTAMANO	UNDERDIMENSIONERAD
USE WITH	USARE CON	USAR CON	ANVÄND MED
W/	CON	CON	MED, INKLUSIVE
W/O	SENZA	SIN	UTAN, EXKLUSIVE
Z	NO. DENTI CORONA O PIGNONE	NUMERO DE DIENTES DE LOS ENGRANAJES	ANTAL TÄNDER PÅ DREV OCH KUGGHJUL

RGP10987

1A17

6101 OEM ENGINES(WATERLOO)

SECTION INDEX

01	INTRODUCTION	0001
11	ROCKER ARM COVER	1104
12	ENGINE OIL FILLER	1201
13	CRANKSHAFT PULLEY	1301
14	FLYWHEEL HOUSING	1401
15	FLYWHEEL	1505
16	FUEL INJECTION	1601
17	INTAKE MANIFOLD	1702
19	OIL PAN	1916
20	WATER PUMP	2003
21	THERMOSTAT COVER	2101
22	THERMOSTAT	2204
24	FAN BELT	2403
26	ENGINE COOLANT HEATER	2601
28	EXHAUST MANIFOLD	2801
29	VENTILATING SYSTEM	2901
30	STARTING MOTOR	3004
31	ALTERNATOR	3114
35	FUEL FILTERS	3511
39	THERMOSTAT MOUNTING	3903
40	ENGINE OIL DIPSTICK	4003

1A18

6101 OEM ENGINES(WATERLOO)

44 MAGNETIC PICKUP	4402
46 CYLINDER BLOCK, CAMSHAFT	4602
47 CRANKSHAFT, BEARINGS	4701
48 PISTON, CONNECTING ROD, CYLINDER LINER	4803
49 ROCKER ARM SHAFT	4902
50 OIL PUMP	5001
51 CYLINDER HEAD/VALVES	5102
55 ENGINE MOUNT	5510
59 OIL COOLER AND FILTER	5915
62 ALTERNATOR BRACKETS	6205
64 EXHAUST	6401
65 TURBOCHARGER	6501
70 ENGINE COOLANT CONDITIONER FILTER	7002
77 TIMING GEAR COVER	7701
97 FIELD INSTALLED KITS	9701
99 ENGINE SHORT BLOCK, GASKET SETS, LUBRICANTS AND OIL SCAN KITS	9901

1A19

6101 OEM ENGINES(WATERLOO)

ALPHABETICAL INDEX

GRID	PAGE	GRID	PAGE
A			
2D18	ADAPTER (24V CONVERSION) (CODE 9701)	970 - 13	
2B15	ADJUSTING STRAP, ALTERNATOR (CODE 6205)	620 - 1	
2B16	ADJUSTING STRAP, ALTERNATOR (CODE 6205)	620 - 2	
2B17	ADJUSTING STRAP, ALTERNATOR (CODE 6208)	620 - 3	
2B18	ADJUSTING STRAP, ALTERNATOR (CODE 6208)	620 - 4	
1G4	AFTERCOOLER (CODE 1702)	170 - 2	
1G6	AFTERCOOLER (CODE 1730)	170 - 4	
2D15	AIR CLEANER BRACKETS (CODE 9701)	970 - 10	
2D15	AIR CLEANER ELEMENT (CODE 9701)	970 - 10	
2D15	AIR CLEANER KIT (CODE 9701)	970 - 10	
2D15	AIR CLEANER TUBES (CODE 9701)	970 - 10	
2D13	AIR COOLER, CHARGED, KIT (CODE 9701) (BLOWER FAN)	970 - 8	
2D11	AIR COOLER, CHARGED, KIT (CODE 9701) (SUCTION FAN)	970 - 6	
1G3	AIR INLET (CODE 1702)	170 - 1	
1G6	AIR INLET (CODE 1730)	170 - 4	
1G4	AIR INLET (REAR EXHAUST) (CODE 1702)	170 - 2	
1I8	ALTERNATOR (DELCO-REMY) (CODE 3139) 12V 105AMP	310 - 4	
1I6	ALTERNATOR (12V 78AMP) (CODE 3114)	310 - 1	
1I7	ALTERNATOR (24V 40AMP) (CODE 3132)	310 - 2	
2B15	ALTERNATOR ADJUSTING STRAP (CODE 6205)	620 - 1	
2B16	ALTERNATOR ADJUSTING STRAP (CODE 6205)	620 - 2	
2B17	ALTERNATOR ADJUSTING STRAP (CODE 6208)	620 - 3	
2B18	ALTERNATOR ADJUSTING STRAP (CODE 6208)	620 - 4	
2B15	ALTERNATOR MOUNTING BRACKET (CODE 6205)	620 - 1	
2B16	ALTERNATOR MOUNTING BRACKET (CODE 6205)	620 - 2	
2B17	ALTERNATOR MOUNTING BRACKET (CODE 6208)	620 - 3	
2B18	ALTERNATOR MOUNTING BRACKET (CODE 6208)	620 - 4	
1I6	ALTERNATOR PULLEY (CODE 3114)	310 - 1	
1I7	ALTERNATOR PULLEY (CODE 3132)	310 - 2	
1I8	ALTERNATOR PULLEY (CODE 3139)	310 - 4	
2B15	ALTERNATOR SHIELD (CODE 6205)	620 - 1	
2B16	ALTERNATOR SHIELD (CODE 6205)	620 - 2	
2B17	ALTERNATOR SHIELD (CODE 6208)	620 - 3	
2B18	ALTERNATOR SHIELD (CODE 6208)	620 - 4	
1E15	ANEROID, FUEL INJ PUMP (CODE 1612) (ROBERT BOSCH)	160 - 63	
1F1	ANEROID, FUEL INJ PUMP (CODE 1613) (ROBERT BOSCH)	160 - 75	
1C14	ANEROID, FUEL INJ.PUMP (CODE 1601) (ROBERT BOSCH)	160 - 9	
1D1	ANEROID, FUEL INJ.PUMP (ROBERT BOSCH) (CODE 1602)	160 - 22	
1H22	ARMATURE (CODE 3004) (12V)	300 - 2	
1I1	ARMAUTRE (CODE 3005) (24V)	300 - 6	
1K11	ARMS, ROCKER (CODE 4902)	490 - 1	
2E22	ASSEMBLY, COMPLETE BLOCK (CODE 9900)	990 - 8	
2E24	ASSEMBLY, COMPLETE BLOCK (CODE 9900)	990 - 10	
B			
1I14	BASE, FUEL FILTER (CODE 3511)	350 - 4	
1I18	BASE, FUEL FILTER (CODE 3520)	350 - 8	
1I22	BASE, FUEL FILTER (CODE 3542)	350 - 12	
1I12	BASE, PRE-FUEL FILTER (CODE 3511)	350 - 2	
1I16	BASE, PRE-FUEL FILTER (CODE 3520)	350 - 6	
1I20	BASE, PRE-FUEL FILTER (CODE 3542)	350 - 10	
1K5	BEARINGS, MAIN (CODE 4701)	470 - 2	
1K5	BEARINGS, MAIN THRUST (CODE 4701)	470 - 2	
1G14	BEARINGS, WATER PUMP (CODE 2003)	200 - 2	
1H3	BELTS, FAN (CODE 2403)	240 - 1	
1H4	BELTS, FAN (CODE 2406)	240 - 2	
2E22	BLOCK ASSEMBLY, COMPLETE (CODE 9900)	990 - 8	
2E24	BLOCK ASSEMBLY, COMPLETE (CODE 9900)	990 - 10	
1J18	BLOCK, ENGINE SHORT (CODE 4602)	460 - 4	
1J24	BLOCK, ENGINE SHORT (CODE 4603)	460 - 10	
2E20	BLOCK, ENGINE SHORT (CODE 9900)	990 - 6	
2D8	BLOWER FAN (CODE 9701)	970 - 2	
2E6	BLOWER FAN HIGH POWER OPTION (CODE 9701)	970 - 27	
1K19	BOLTS, HEAD (ESN -503793) (CODE 5102)	510 - 2	
1K21	BOLTS, HEAD (ESN 503794-) (CODE 5102)	510 - 4	
2B15	BRACKET, ALTERNATOR MOUNTING (CODE 6205) ..	620 - 1	
2B16	BRACKET, ALTERNATOR MOUNTING (CODE 6205) ..	620 - 2	
2B17	BRACKET, ALTERNATOR MOUNTING (CODE 6208) ..	620 - 3	
2B18	BRACKET, ALTERNATOR MOUNTING (CODE 6208) ..	620 - 4	
1I14	BRACKET, FUEL FILTER SUPPORT (CODE 3511)	350 - 4	
1I18	BRACKET, FUEL FILTER SUPPORT (CODE 3520)	350 - 8	
1I22	BRACKET, FUEL FILTER SUPPORT (CODE 3542)	350 - 12	
1C13	BRACKET, FUEL SHUT-OFF (CODE 1601)	160 - 8	
1C25	BRACKET, FUEL SHUT-OFF (CODE 1602)	160 - 21	
1D10	BRACKET, FUEL SHUT-OFF (CODE 1603)	160 - 31	
1D19	BRACKET, FUEL SHUT-OFF (CODE 1610)	160 - 41	
1E14	BRACKET, FUEL SHUT-OFF (CODE 1612)	160 - 62	
1E25	BRACKET, FUEL SHUT-OFF (CODE 1613)	160 - 74	
1F10	BRACKET, FUEL SHUT-OFF (CODE 1614)	160 - 86	
1I12	BRACKET, PRE-FUEL FILTER SUPPORT (CODE 3511)	350 - 2	
1I16	BRACKET, PRE-FUEL FILTER SUPPORT (CODE 3520)	350 - 6	
1I20	BRACKET, PRE-FUEL FILTER SUPPORT (CODE 3542)	350 - 10	
2D15	BRACKETS, AIR CLEANER (CODE 9701)	970 - 10	
1I14	BRACKETS, FUEL FILTER (CODE 3511)	350 - 4	
1I18	BRACKETS, FUEL FILTER (CODE 3520)	350 - 8	
1I22	BRACKETS, FUEL FILTER (CODE 3542)	350 - 12	
1I20	BRACKETS, PRE-FUEL FILTER (CODE 3542)	350 - 10	
1I12	BRACKETS, PRE-FUEL FILTER (CODE 3511)	350 - 2	
1I16	BRACKETS, PRE-FUEL FILTER (CODE 3520)	350 - 6	
1J15	BUSHING, CAMSHAFT (CODE 4602)	460 - 1	
1J21	BUSHING, CAMSHAFT (CODE 4603)	460 - 7	
C			
1H24	CABLE, STARTING MOTOR GROUND (12V/24V) (CODE 3004)	300 - 4	
1I3	CABLE, STARTING MOTOR GROUND (12V/24V) (CODE 3005)	300 - 8	
1J15	CAMSHAFT (CODE 4602)	460 - 1	
1J21	CAMSHAFT (CODE 4603)	460 - 7	
2F13	CAMSHAFT (CODE 9900)	990 - 25	
1J15	CAMSHAFT BUSHING (CODE 4602)	460 - 1	
1J21	CAMSHAFT BUSHING (CODE 4603)	460 - 7	
1K11	CAMSHAFT FOLLOWER (CODE 4902)	490 - 1	
1J15	CAMSHAFT GEAR (CODE 4602)	460 - 1	
1J21	CAMSHAFT GEAR (CODE 4603)	460 - 7	
2F13	CAMSHAFT GEAR (CODE 9900)	990 - 25	
1J16	CAPS, MAIN BEARING (CODE 4602)	460 - 2	
1J22	CAPS, MAIN BEARING (CODE 4603)	460 - 8	
2E15	CENTER HOUSING, TURBOCHARGER SCHWITZER (CODE 9900)	990 - 1	
2D13	CHARGED AIR COOLER KIT (CODE 9701) (BLOWER FAN)	970 - 8	
2D11	CHARGED AIR COOLER KIT (CODE 9701) (SUCTION FAN)	970 - 6	

1A20

6101 OEM ENGINES(WATERLOO)

ALPHABETICAL INDEX - CONTINUED

GRID		PAGE	GRID		PAGE
2D15	CLEANER KIT, AIR (CODE 9701)	970 - 10	1K4	CRANKSHAFT (CODE 4701)	470 - 1
2D21	CLUTCH, IN-LINE LOADING (CODE 9701).....	970 - 16	1B13	CRANKSHAFT DAMPER (CODE 1301).....	130 - 1
2D23	CLUTCH, SIDE LOADING (CODE 9701).....	970 - 18	1B14	CRANKSHAFT DAMPER (CODE 1304).....	130 - 2
2E22	COMPLETE BLOCK ASSEMBLY (CODE 9900)	990 - 8	1K4	CRANKSHAFT GEAR (CODE 4701)	470 - 1
2E24	COMPLETE BLOCK ASSEMBLY (CODE 9900)	990 - 10	1B13	CRANKSHAFT PULLEY (CODE 1301).....	130 - 1
2C17	CONDITIONER, ENGINE COOLANT FILTER (CODE 7002)	700 - 2	1B14	CRANKSHAFT PULLEY (CODE 1304).....	130 - 2
2C19	CONDITIONER, ENGINE COOLANT FILTER (CODE 7007)	700 - 4	1K19	CYL. HEAD COVER (ESN -503793) (CODE 5102)	510 - 2
1K8	CONNECTING RODS (CODE 4803)	480 - 1	1K19	CYL. HEAD GASKET (ESN -503793) (CODE 5102)	510 - 2
1C11	CONNECTORS, FUEL INJECTION PUMP HOUSING (ROBERT BOSCH) (CODE 1601)	160 - 6	1K21	CYL. HEAD GASKET (ESN 503794-) (5102).....	510 - 4
1C23	CONNECTORS, FUEL INJECTION PUMP HOUSING (ROBERT BOSCH) (CODE 1602)	160 - 19	1K21	CYL. HEAD PLUG (ESN 503794-) (CODE 5102)	510 - 4
1D8	CONNECTORS, FUEL INJECTION PUMP HOUSING (ROBERT BOSCH) (CODE 1603)	160 - 29	1J16	CYLINDER BLOCK FITTINGS (CODE 4602).....	460 - 2
1D17	CONNECTORS, FUEL INJECTION PUMP HOUSING (ROBERT BOSCH) (CODE 1610)	160 - 39	1J22	CYLINDER BLOCK FITTINGS (CODE 4603).....	460 - 8
1E5	CONNECTORS, FUEL INJECTION PUMP HOUSING (ROBERT BOSCH) (CODE 1611)	160 - 52	1K19	CYLINDER HEAD (ESN -503793) (CODE 5102)	510 - 2
1E12	CONNECTORS, FUEL INJECTION PUMP HOUSING (ROBERT BOSCH) (CODE 1612)	160 - 60	2E16	CYLINDER HEAD (ESN -503793) (CODE 9900)	990 - 2
1E23	CONNECTORS, FUEL INJECTION PUMP HOUSING (ROBERT BOSCH) (CODE 1613)	160 - 72	2E18	CYLINDER HEAD (ESN 503794-) (CODE 9900)	990 - 4
1F8	CONNECTORS, FUEL INJECTION PUMP HOUSING (ROBERT BOSCH) (CODE 1614)	160 - 84	1K21	CYLINDER HEAD (ESN 503794-) (5102)	510 - 4
1F18	CONNECTORS, FUEL INJECTION PUMP HOUSING (ROBERT BOSCH) (CODE 1632)	160 - 94	2F6	CYLINDER HEAD GASKET SET (CODE 9900)	990 - 18
2D19	CONTROL, ENGINE SPEED (CODE 9701).....	970 - 14	D		
2F3	COOLANT HEATER, ENGINE (110V) (CODE 9900)	990 - 14	1B13	DAMPER, CRANKSHAFT (CODE 1301)	130 - 1
2F2	COOLANT HEATER, ENGINE (220V) (CODE 9900)	990 - 13	1B14	DAMPER, CRANKSHAFT (CODE 1304)	130 - 2
1H7	COOLANT HEATER, ENGINE (2601).....	260 - 1	1J7	DIPSTICK TUBE (CODE 4003).....	400 - 1
1H8	COOLANT HEATER, ENGINE (2602).....	260 - 2	1J8	DIPSTICK TUBE (CODE 4006).....	400 - 2
2B8	COOLER, OIL (CODE 5915).....	590 - 2	1J7	DIPSTICK, OIL (CODE 4003)	400 - 1
1H15	COVER, CRANKCASE VENT (CODE 2901)	290 - 2	1J8	DIPSTICK, OIL (CODE 4006)	400 - 2
1H17	COVER, CRANKCASE VENT (CODE 2902)	290 - 4	1H22	DRIVE, STARTER (CODE 3004) (12V)	300 - 2
1K19	COVER, CYL.HEAD (ESN -503793) (CODE 5102)	510 - 2	1I1	DRIVE, STARTER (CODE 3005) (24V)	300 - 6
2B15	COVER, INJECTION PUMP GEAR ACCESS (CODE 6205)	620 - 1	E		
2B16	COVER, INJECTION PUMP GEAR ACCESS (CODE 6205)	620 - 2	1E1	ECU (CODE 1611).....	160 - 48
2B17	COVER, INJECTION PUMP GEAR ACCESS (CODE 6208)	620 - 3	1F16	ECU (CODE 1632).....	160 - 92
2B18	COVER, INJECTION PUMP GEAR ACCESS (CODE 6208)	620 - 4	2C7	ELBOW, EXHAUST (CODE 6502)	650 - 6
2B19	COVER, INJECTION PUMP GEAR ACCESS (CODE 6299)	620 - 5	2C9	ELBOW, EXHAUST (CODE 6503)	650 - 8
1B7	COVER, ROCKER ARM (OPTION CODE 1104).....	110 - 1	2C11	ELBOW, EXHAUST (CODE 6504)	650 - 10
1H21	COVER, SOLENOID STARTING MOTOR (12V) (CODE 3004)	300 - 1	2B22	ELBOW, EXHAUST (VERTICAL) (CODE 6401).....	640 - 1
1H25	COVER, SOLENOID STARTING MOTOR (24V) (CODE 3005)	300 - 5	2B23	ELBOW, EXHAUST (VERTICAL) (CODE 6402).....	640 - 2
2F11	COVER, SOLENOID STARTING MOTOR (24V) (CODE 9900)	990 - 23	2B24	ELBOW, EXHAUST (VERTICAL) (CODE 6403).....	640 - 3
2F10	COVER, SOLENOID STARTING MOTOR (12V) (CODE 9900)	990 - 22	2B25	ELBOW, EXHAUST (VERTICAL) (CODE 6405).....	640 - 4
1G18	COVER, THERMOSTAT (CODE 2101) (HORIZONTAL)	210 - 1	2C7	ELBOW, TURBO INLET (CODE 6502).....	650 - 6
1G19	COVER, THERMOSTAT (CODE 2102) (VERTICAL).....	210 - 2	2C9	ELBOW, TURBO INLET (CODE 6503).....	650 - 8
2C23	COVER, TIMING GEAR (CODE 7701)	770 - 1	2C11	ELBOW, TURBO INLET (CODE 6504).....	650 - 10
1H15	CRANKCASE VENT (CODE 2901).....	290 - 2	2D25	ELECTRIC HOUR METER (CODE 9701).....	970 - 20
1H17	CRANKCASE VENT (CODE 2902).....	290 - 4	1C13	ELECTRIC SHUT-OFF SOLENOID (CODE 1601).....	160 - 8
1H15	CRANKCASE VENT COVER (CODE 2901).....	290 - 2	1C25	ELECTRIC SHUT-OFF SOLENOID (CODE 1602).....	160 - 21
1H17	CRANKCASE VENT COVER (CODE 2902).....	290 - 4	1D10	ELECTRIC SHUT-OFF SOLENOID (CODE 1603).....	160 - 31
			1D19	ELECTRIC SHUT-OFF SOLENOID (CODE 1610).....	160 - 41
			1E14	ELECTRIC SHUT-OFF SOLENOID (CODE 1612).....	160 - 62
			1E25	ELECTRIC SHUT-OFF SOLENOID (CODE 1613).....	160 - 74
			1F10	ELECTRIC SHUT-OFF SOLENOID (CODE 1614).....	160 - 86
			2F12	ELECTRIC SHUT-OFF SOLENOID REPAIR KIT (CODE 9900)	990 - 24
			1E1	ELECTRONIC FUEL INJECTION PUMP (CODE 1611)	160 - 48
			1F16	ELECTRONIC FUEL INJECTION PUMP (CODE 1632)	160 - 92
			2E5	ELECTRONIC TACHOMETER (CODE 9701).....	970 - 26
			2D15	ELEMENT, AIR CLEANER (CODE 9701).....	970 - 10