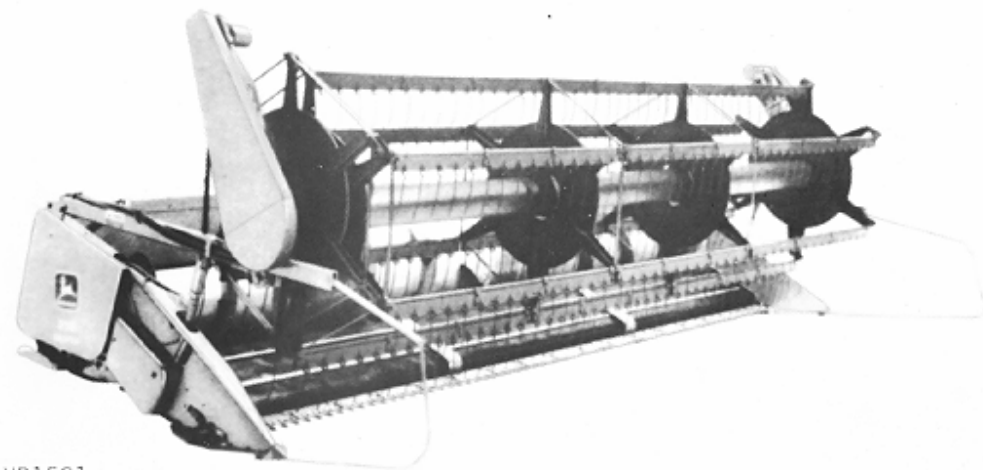


A2

PLATFORM, DRAPER - 218

HP1521 -UN-01JAN94



HP1521

JOHN DEERE 218 DRAPER PLATFORM

(SPECIFICATIONS AND DESIGN SUBJECT TO CHANGE WITHOUT NOTICE)

A3

PLATFORM, DRAPER - 218

SERIAL NUMBER PLATE

USE ALL NUMBERS, LETTERS, AND SPACES SHOWN ON THE SERIAL NUMBER PLATE IN WARRANTY CORRESPONDENCE.

218 DRAPER PLATFORM (-579900)

ON THESE 218 DRAPER PLATFORMS, SERIAL NUMBER PLATE IS LOCATED ON THE LEFT-HAND SIDE OF THE FRAME.

EXAMPLE: E0018579900

E - EQUIPMENT
0018 - PLATFORM MODEL
579900 - 218 DRAPER PLATFORM SERIAL NUMBER
H - FACTORY (HARVESTER WORKS)

218 DRAPER PLATFORMS (579901-)

ON THESE 218 DRAPER PLATFORMS, SERIAL NUMBER PLATE IS LOCATED ON THE LEFT-HAND SIDE OF THE FRAME.

EXAMPLE: H00218D579901
218 DRAPER PLATFORM

(FIRST LINE) H0 - FACTORY (HARVESTER WORKS)
 218 - PLATFORM MODEL
 D - CONFIGURATION/MODEL SUFFIX
 579901 - SEQUENCE (SERIAL) NUMBER
(SECOND LINE) 218 DRAPER PLATFORM - PRODUCT TYPE

IMPORTANT

THIS PARTS CATALOG CONTAINS COMPLETE PARTS INFORMATION ON THE 218 DRAPER PLATFORM. VINTAGE IS DETERMINED BY SERIAL NUMBERS UNDER WHICH CUTTING PLATFORMS WERE MANUFACTURED. IT IS IMPORTANT THAT THE CORRECT SERIAL NUMBER BE USED WHEN ORDERING PARTS.

SERIAL NUMBER LISTING INFORMATION

SERIAL NUMBER INFORMATION IS LISTED TO SHOW ON WHICH MACHINES EACH PART CAN BE USED; FOR EXAMPLE:

- THE PART CAN BE USED ON ALL MACHINES.
- 000000- THE PART CAN BE USED ON ALL MACHINES BEGINNING WITH THE SERIAL NUMBER LISTED.
- 000000 THE PART CAN BE USED ON ALL MACHINES UP TO AND INCLUDING THE SERIAL NUMBER LISTED.
- 000000-000000 THE PART CAN BE USED ON ALL MACHINES BETWEEN AND INCLUDING THE SERIAL NUMBERS LISTED.

WHEN XXXXXX'S ARE LISTED IN PLACE OF A SERIAL NUMBER, A SERIAL NUMBER CHANGE WAS MADE BUT THE EXACT SERIAL NUMBER WAS NOT AVAILABLE WHEN THE CATALOG WAS PRODUCED.

JDM REMANUFACTURED COMPONENTS

THE SERVICE PARTS LISTED IN THIS CATALOG ARE INTENDED FOR THE REPAIR OF ORIGINAL EQUIPMENT COMPONENTS. ALTHOUGH MOST SERVICE PARTS MAY BE USED TO REPAIR REMANUFACTURED COMPONENTS, THE REMANUFACTURED DESIGN MAY CHANGE PARTS SUFFICIENTLY SO THAT SERVICE PARTS ARE INADEQUATE OR NOT USABLE.

BOLT AND CAP SCREW STRENGTH IDENTIFICATION

BOLTS AND CAP SCREWS REQUIRED TO HAVE HIGH-STRENGTH QUALITIES EQUIVALENT TO SAE GRADE 8 ARE IDENTIFIED THROUGHOUT THIS CATALOG BY THE DESCRIPTION HS SAE 8. ALL STANDARD BOLTS AND CAP SCREWS ARE SAE GRADE 5 OR LOWER.

COMPLETE GOODS LISTINGS

COMPLETE GOODS ARE LISTED IN BOLD FACE TYPE. ORDER SEPARATELY. DO NOT INCLUDE ON REPLACEMENT PARTS ORDER.

SI UNITS OF MEASURE

METRIC DIMENSIONS ARE GIVEN, WHERE APPLICABLE, THROUGHOUT THIS PARTS CATALOG.

CHANGE INDICATOR LINE (MICROFICHE CATALOGS ONLY)

CHANGES AFFECTING THE ORDERING OF PARTS ARE IDENTIFIED BY VERTICAL LINES MARKED IN THE LEFT-HAND MARGIN OF REVISED PARTS LISTING IMAGES. A LINE IS ALSO AT THE LEFT-HAND EDGE OF THE SAME PART NUMBER IN THE NUMERICAL INDEX TO SHOW THE LOCATION OF REVISED INFORMATION.

A5

SECTIONAL INDEX

| | SECTION |
|---|---------|
| GENERAL INFORMATION | 05 |
| REEL | 10 |
| FRAME, STRIPPERS, DIVIDERS, AND PLATES | 15 |
| KNIFE, CUTTERBAR, AND DRIVES | 20 |
| AUGER AND DRIVE | 25 |
| HYDRAULICS | 30 |
| SHIELDS | 35 |
| BELTS, CHAINS, SHEAVES, SPROCKETS, AND DECALS | 40 |
| NUMERICAL INDEX | 45 |

**Thanks very much for your reading,
Want to get more information,
Please click here, Then get the complete
manual**

JustClickHere 

NOTE:

**If there is no response to click on the link above,
please download the PDF document first, and then
click on it.**

**Have any questions please write to me:
admin@servicemanualperfect.com**

A6

PLATFORM, DRAPER - 218

ALPHABETICAL INDEX

| GRID | | PAGE | GRID | | PAGE |
|----------|---|-------|----------|---|-------|
| A | | | H | | |
| A11 | ARM, REEL..... | 10-4 | C3 | HOSE AND COUPLER CONVERSION..... | 30-14 |
| A12 | ARM, REEL..... | 10-5 | B22 | HOSES, HYDRAULIC DRIVE REEL, PICKUP | 30-8 |
| B13 | AUGER, CROSS | 25-4 | B9 | HOUSING, DRAPER DRIVE ROLLS..... | 20-14 |
| B | | | B1 | HOUSING, DRAPER IDLER ROLLS | 20-6 |
| C9 | BELT, DRIVE, ON L.H. SIDE | 40-3 | B22 | HYDRAULIC DRIVE REEL HOSES, PICKUP REEL | 30-8 |
| B5 | BOLTED GUARDS AND KNIVES | 20-10 | C1 | HYDRAULIC LIFT REEL MASTER CYLINDER | 30-12 |
| C | | | B18 | HYDRAULIC LIFT REEL OIL LINES | 30-4 |
| A23 | CASE, KNIFE DRIVE | 20-2 | B20 | HYDRAULIC LIFT REEL OIL LINES | 30-6 |
| A12 | CHAIN, CYL. ROD EXTENSION | 10-5 | B23 | HYDRAULIC LIFT REEL SLAVE CYLINDER | 30-9 |
| C8 | CHAINS, DRIVE, ON RIGHT-HAND SIDE | 40-1 | B24 | HYDRAULIC MOTOR, HYDROSTATIC DRIVE REEL | 30-10 |
| C3 | CONVERSION HOSES AND COUPLERS | 30-14 | B16 | HYDRAULIC REEL LINES..... | 30-1 |
| B13 | CROSS AUGER | 25-4 | B17 | HYDRAULIC REEL LINES..... | 30-3 |
| B12 | CROSS AUGER DRIVE..... | 25-3 | B24 | HYDROSTATIC DRIVE REEL HYDRAULIC MOTOR..... | 30-10 |
| B13 | CROSS AUGER SHAFT | 25-4 | I | | |
| B13 | CROSS AUGER SPROCKETS | 25-4 | A22 | IDLER, KNIFE DRIVE | 20-1 |
| A25 | CUTTERBAR DRIVE | 20-4 | K | | |
| A12 | CYLINDER ROD EXTENSION..... | 10-5 | A23 | KNIFE DRIVE CASE | 20-2 |
| C1 | CYLINDER, MASTER, HYDRAULIC LIFT REEL | 30-12 | A22 | KNIFE DRIVE IDLER AND TIGHTENER | 20-1 |
| B23 | CYLINDER, SLAVE, HYDRAULIC LIFT REEL | 30-9 | B5 | KNIFE HEAD, BOLTED | 20-10 |
| D | | | B3 | KNIFE HEAD, RIVETED | 20-8 |
| C11 | DECALS, R.H. AND L.H. | 40-5 | B5 | KNIVES AND GUARDS, BOLTED..... | 20-10 |
| A19 | DIVIDER POINTS..... | 15-4 | B3 | KNIVES AND GUARDS, RIVETED | 20-8 |
| A16 | DRAPER BELT..... | 15-1 | L | | |
| C2 | DRAPER DIVIDER POINT..... | 30-13 | C11 | L.H. DECALS | 40-5 |
| B9 | DRAPER DRIVE ROLL HOUSINGS | 20-14 | B18 | LIFT REEL OIL LINES, HYDRAULIC | 30-4 |
| B9 | DRAPER DRIVE ROLLS | 20-14 | B20 | LIFT REEL, OIL LINES, HYDRAULIC..... | 30-6 |
| C2 | DRAPER DRIVE TIGHTENER..... | 30-13 | B18 | LINES, HYDRAULIC LIFT REEL | 30-4 |
| B1 | DRAPER IDLER ROLLS | 20-6 | B16 | LINES, HYDRAULIC REEL | 30-1 |
| B1 | DRAPER IDLER ROLLS AND SUPPORTS | 20-6 | B17 | LINES, REEL, HYDRAULIC..... | 30-3 |
| B8 | DRAPER SHIELDS AND SUPPORTS | 20-13 | A19 | LOOP DIVIDER | 15-4 |
| A16 | DRAPER SLAT..... | 15-1 | M | | |
| A16 | DRAPERS..... | 15-1 | C1 | MASTER CYLINDER, HYDRAULIC LIFT REEL | 30-12 |
| A23 | DRIVE CASE, KNIFE | 20-2 | B24 | MOTOR, HYDRAULIC, HYDROSTATIC DRIVE REEL..... | 30-10 |
| B12 | DRIVE, CROSS AUGER | 25-3 | B25 | MOTOR, REEL | 30-11 |
| A25 | DRIVE, CUTTERBAR | 20-4 | A23 | MOUNTING, KNIFE DRIVE CASE | 20-2 |
| E | | | O | | |
| A12 | EXTENSION CYL. ROD..... | 10-5 | B18 | OIL LINES, HYDRAULIC LIFT REEL | 30-4 |
| F | | | B20 | OIL LINES, HYDRAULIC LIFT REEL | 30-6 |
| A20 | FEED PLATES | 15-5 | P | | |
| A17 | FLOOR STRIPPER..... | 15-2 | A9 | PICKUP REEL | 10-1 |
| A18 | FRAME | 15-3 | A13 | PICKUP REEL DRIVE SHAFTS AND MOUNTINGS | 10-6 |
| G | | | A13 | PICKUP REEL DRIVE SHAFTS AND SPROCKETS | 10-6 |
| B5 | GUARDS AND KNIVES, BOLTED..... | 20-10 | A10 | PICKUP REEL ECCENTRIC SPIDER..... | 10-3 |
| B3 | GUARDS AND KNIVES, RIVETED | 20-8 | B22 | PICKUP REEL, HYDRAULIC DRIVE REEL HOSES | 30-8 |
| | | | A12 | PIN, REEL ARM | 10-5 |
| | | | A20 | PLATES, FEED..... | 15-5 |
| | | | A19 | POINTS, DIVIDER | 15-4 |

A7

ALPHABETICAL INDEX - CONTINUED

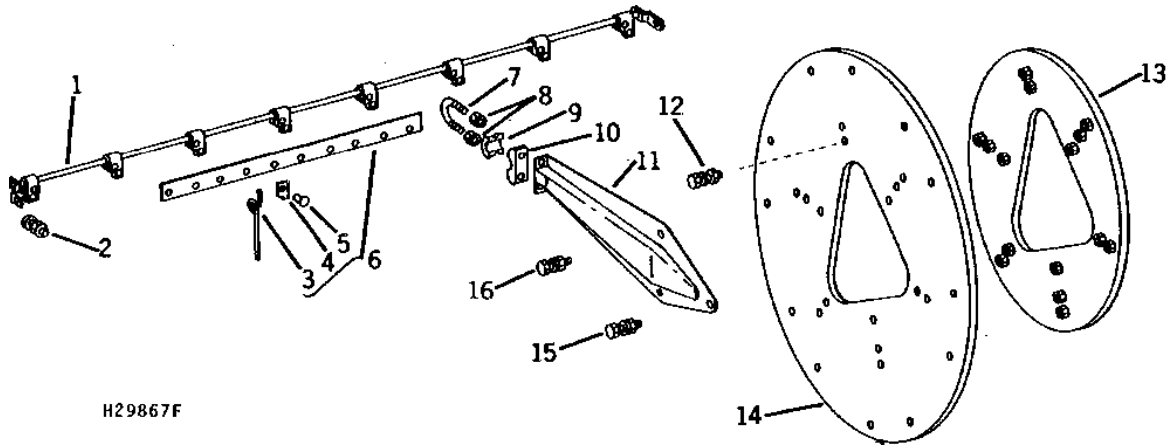
| GRID | | PAGE | GRID | PAGE |
|------|--|-------|------|------|
| R | | | | |
| C11 | R.H. DECALS | 40-5 | | |
| A11 | REEL ARM | 10-4 | | |
| A12 | REEL ARM | 10-5 | | |
| B17 | REEL LINES, HYDRAULIC | 30-3 | | |
| C1 | REEL MASTER CYLINDER, HYDRAULIC LIFT | 30-12 | | |
| B25 | REEL MOTOR | 30-11 | | |
| A9 | REEL, PICKUP | 10-1 | | |
| A10 | REEL, PICKUP, ECCENTRIC SPIDER | 10-3 | | |
| B3 | RIVETED GUARDS AND KNIVES | 20-8 | | |
| B9 | ROLLS, DRAPER DRIVE | 20-14 | | |
| B1 | ROLLS, DRAPER IDLER | 20-6 | | |
| S | | | | |
| B13 | SHAFT, CROSS AUGER | 25-4 | | |
| B9 | SHAFTS, DRAPER DRIVE ROLLS | 20-14 | | |
| A13 | SHAFTS, DRIVE, PICKUP REEL | 10-6 | | |
| A23 | SHEAVE, KNIFE DRIVE CASE | 20-2 | | |
| C9 | SHEAVES ON L.H. SIDE | 40-3 | | |
| A22 | SHEAVES, KNIFE DRIVE IDLER | 20-1 | | |
| A22 | SHEAVES, KNIFE DRIVE TIGHTENER | 20-1 | | |
| C6 | SHIELD | 35-1 | | |
| C6 | SHIELD SKID SHOE | 35-1 | | |
| A13 | SHIELD, PICKUP REEL DRIVE | 10-6 | | |
| B8 | SHIELDS, DRAPER | 20-13 | | |
| C6 | SHOE, SKID, SHIELD | 35-1 | | |
| A10 | SPIDER, PICKUP REEL ECCENTRIC | 10-3 | | |
| C8 | SPROCKETS ON R.H. SIDE | 40-1 | | |
| B13 | SPROCKETS, CROSS AUGER | 25-4 | | |
| B12 | SPROCKETS, CROSS AUGER DRIVE | 25-3 | | |
| C2 | SPROCKETS, DRAPER DRIVE TIGHTENER | 30-13 | | |
| A12 | STOP, CYL. ROD EXTENSION | 10-5 | | |
| A17 | STRIPPER | 15-2 | | |
| A17 | STRIPPER, FLOOR | 15-2 | | |
| B1 | SUPPORTS AND DRAPER IDLER ROLLS | 20-6 | | |
| B8 | SUPPORTS AND DRAPER SHIELDS | 20-13 | | |
| T | | | | |
| C2 | TIGHTENER, DRAPER DRIVE | 30-13 | | |
| A22 | TIGHTENER, KNIFE DRIVE | 20-1 | | |
| C9 | TIGHTENERS ON L.H. SIDE | 40-3 | | |
| C8 | TIGHTENERS ON R.H. SIDE | 40-1 | | |

A9

REEL

H29867F -UN-01JAN94

PICKUP REEL



| KEY | PART NO. | PART NAME | QTY | SERIAL NO. | REMARKS |
|-----|----------|-------------|-----|------------|----------------|
| 1 | AH97185 | SHAFT | 6 | | |
| 2 | 03H1810 | BOLT | 144 | | 1/4" X 1-1/2" |
| | 14H786 | NUT | 144 | | 1/4" |
| 3 | H33316 | FINGER | 258 | | |
| 4 | H33317 | CLIP | 258 | | |
| 5 | H33318 | RIVET | 258 | | |
| 6 | AH97194 | SLAT | 6 | | CENTER |
| | AH97195 | SLAT | 12 | | R.H. AND L.H. |
| 7 | E40203 | U-BOLT | 24 | | |
| 8 | E40202 | LOCK NUT | 48 | -585895 | (SUB E45229) |
| | E45229 | LOCK NUT | 48 | | |
| 9 | E40205 | CAP | 24 | | |
| 10 | E40206 | BASE | 24 | | |
| 11 | AH97207 | ARM | 24 | | |
| 12 | 19H1905 | CAP SCREW | 24 | | 5/16" X 1" |
| | 12H303 | LOCK WASHER | 24 | | 5/16" |
| | 14H785 | NUT | 24 | | 5/16" |
| 13 | AH97208 | PLATE | 4 | | STIFFENING |
| 14 | H98690 | PLATE | 4 | | SPIDER |
| 15 | 19H1849 | CAP SCREW | 24 | | 5/16" X 1-1/4" |
| | 12H303 | LOCK WASHER | 24 | | 5/16" |
| | 14H785 | NUT | 24 | | 5/16" |
| 16 | 19H2020 | CAP SCREW | 48 | | 5/16" X 1/2" |
| | 12H303 | LOCK WASHER | 48 | | 5/16" |
| | 14H785 | NUT | 48 | | 5/16" |

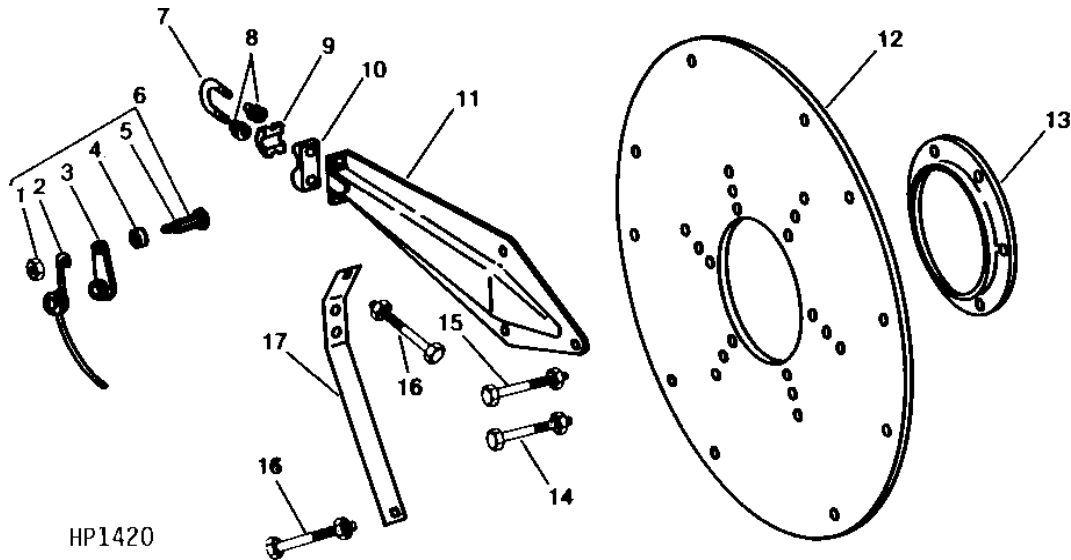
MEMORANDA

A10

REEL

HP1420 -UN-01JAN94

PICKUP REEL ECCENTRIC SPIDER



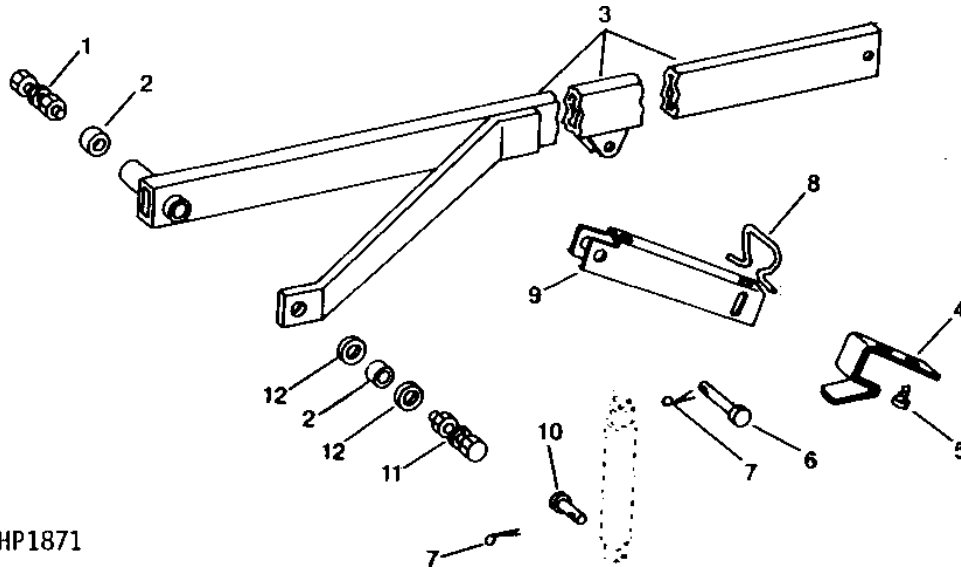
| KEY | PART NO. | PART NAME | QTY | SERIAL NO. | REMARKS |
|-----|----------|-------------|-----|--------------|------------------------|
| 1 | E59584 | FLANGE NUT | 12 | | (RIGID) |
| 2 | H33332 | FINGER | 6 | | R.H. AUXILIARY (RIGID) |
| | H33333 | FINGER | 6 | | L.H. AUXILIARY (RIGID) |
| 3 | AH97221 | STRAP | 12 | | (RIGID) |
| 4 | E40212 | SPACER | 12 | | (RIGID) |
| 5 | E59585 | BOLT | 12 | | (RIGID) |
| 6 | AH97217 | FINGER | 6 | | R.H. (RIGID) |
| | AH97218 | FINGER | 6 | | L.H. (RIGID) |
| 7 | E40203 | U-BOLT | 12 | | |
| 8 | E40202 | LOCK NUT | 24 | -585895 | (SUB E45229) |
| | E45229 | LOCK NUT | 24 | | |
| 9 | E40205 | CAP | 12 | | |
| 10 | E40206 | BASE | 12 | | |
| 11 | AH97207 | ARM | 12 | | |
| 12 | H98692 | PLATE | 2 | | |
| 13 | H98693 | RING | 2 | | |
| 14 | 19H1900 | CAP SCREW | 12 | 5/16" X 3/4" | |
| | 12H303 | LOCK WASHER | 12 | 5/16" | |
| | 14H785 | NUT | 12 | 5/16" | |
| 15 | 19H2020 | CAP SCREW | 12 | 5/16" X 1/2" | |
| | 12H303 | LOCK WASHER | 12 | 5/16" | |
| | 14H785 | NUT | 12 | 5/16" | |
| 16 | 03H1893 | BOLT | 36 | 1/4" X 1/2" | |
| | E40202 | LOCK NUT | 36 | -585895 | (SUB E45229) |
| | E45229 | LOCK NUT | 36 | | |
| 17 | H98764 | BRACE | 36 | | |

A11

REEL

REEL ARM
(SERIAL NO. -582725)

HP1871 -UN-01JAN94



HP1871

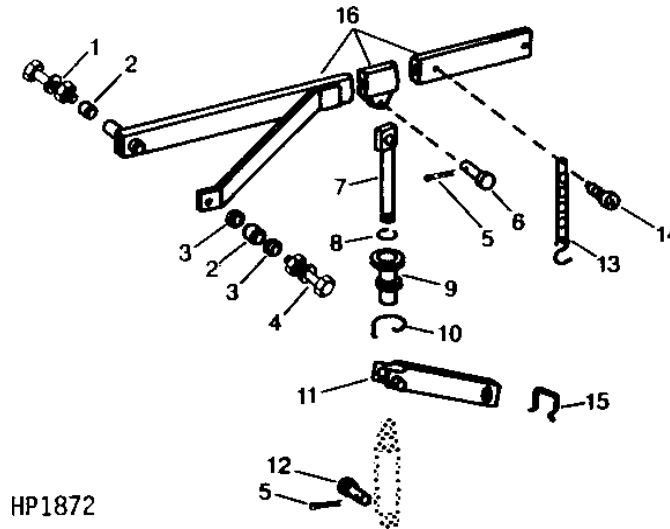
| KEY | PART NO. | PART NAME | QTY | SERIAL NO. | REMARKS |
|-----|----------|-------------|-----|------------|---------------------------|
| 1 | 19H1909 | CAP SCREW | 1 | | 3/4" X 3-3/4", (R.H.) |
| | 19H2000 | CAP SCREW | 1 | | 3/4" X 5", (L.H.) |
| | 12H236 | LOCK WASHER | 2 | | 3/4" |
| 2 | 14H794 | NUT | 2 | | 3/4" |
| | M63139 | BUSHING | 4 | | |
| 3 | AH92212 | ARM | 1 | -582725 | (L.H.) (SUB AH112089) |
| | AH112089 | LIFT ARM | 1 | | (L.H.) |
| | AH92211 | ARM | 1 | -582725 | (R.H.) (SUB AH112088) |
| | AH112088 | LIFT ARM | 1 | | (R.H.) |
| 4 | H98698 | LATCH | 2 | | STOP |
| 5 | H87048 | SCREW | 4 | | SELF-TAPPING |
| 6 | H98494 | PIN | 2 | | DRILLED |
| 7 | 11H236 | COTTER PIN | 4 | | 1/8" X 1" |
| 8 | H87239 | RETAINER | 2 | | STOP |
| 9 | H94005 | STOP | 2 | | |
| 10 | H98494 | PIN | 1 | | (L.H.) DRILLED |
| | M48519 | PIN | 1 | | (R.H.) DRILLED |
| 11 | 19H1734 | CAP SCREW | 2 | | 5/8" X 2" |
| | 12H294 | LOCK WASHER | 2 | | 5/8" |
| | 14H1039 | NUT | 2 | | 5/8" |
| 12 | 24H1368 | WASHER | 4 | | 21/32" X 1-5/16" X 0.090" |

A12

REEL

REEL ARM
(SERIAL NO. 582726-)

HP1872 -UN-01JAN94



HP1872

| KEY | PART NO. | PART NAME | QTY | SERIAL NO. | REMARKS |
|-----|----------|-------------|-----|------------|---------------------------|
| 1 | 19H1909 | CAP SCREW | 1 | | 3/4" X 3-3/4", R.H. |
| | 19H2000 | CAP SCREW | 1 | | 3/4" X 5", L.H. |
| | 12H236 | LOCK WASHER | 2 | | 3/4" |
| | 14H794 | NUT | 2 | | 3/4" |
| 2 | M63139 | BUSHING | 4 | | |
| 3 | 24H1368 | WASHER | 4 | | 21/32" X 1-5/16" X 0.090" |
| 4 | 19H1734 | CAP SCREW | 2 | | 5/8" X 2" |
| | 12H294 | LOCK WASHER | 2 | | 5/8" |
| | 14H1039 | NUT | 2 | | 5/8" |
| 5 | 11H236 | COTTER PIN | 4 | | 1/8" X 1" |
| 6 | H98765 | PIN | 2 | | (TOP) |
| 7 | H105501 | EXTENSION | 2 | | |
| 8 | H25099 | SNAP RING | 2 | | |
| 9 | H105498 | NUT | 2 | | |
| 10 | H105499 | RING | 2 | -600000 | (SUB H118628) |
| | H118628 | RING | 2 | | |
| 11 | AH104396 | STOP | 2 | | |
| 12 | H98494 | PIN | 1 | | L.H. (DRILLED) |
| | M48519 | PIN | 1 | | R.H. (DRILLED) |
| 13 | AH104090 | LINK CHAIN | 2 | | |
| 14 | H76139 | SCREW | 2 | | |
| 15 | H87239 | RETAINER | 2 | | |
| 16 | AH112089 | LIFT ARM | 1 | | L.H. |
| | AH112088 | LIFT ARM | 1 | | R.H. |

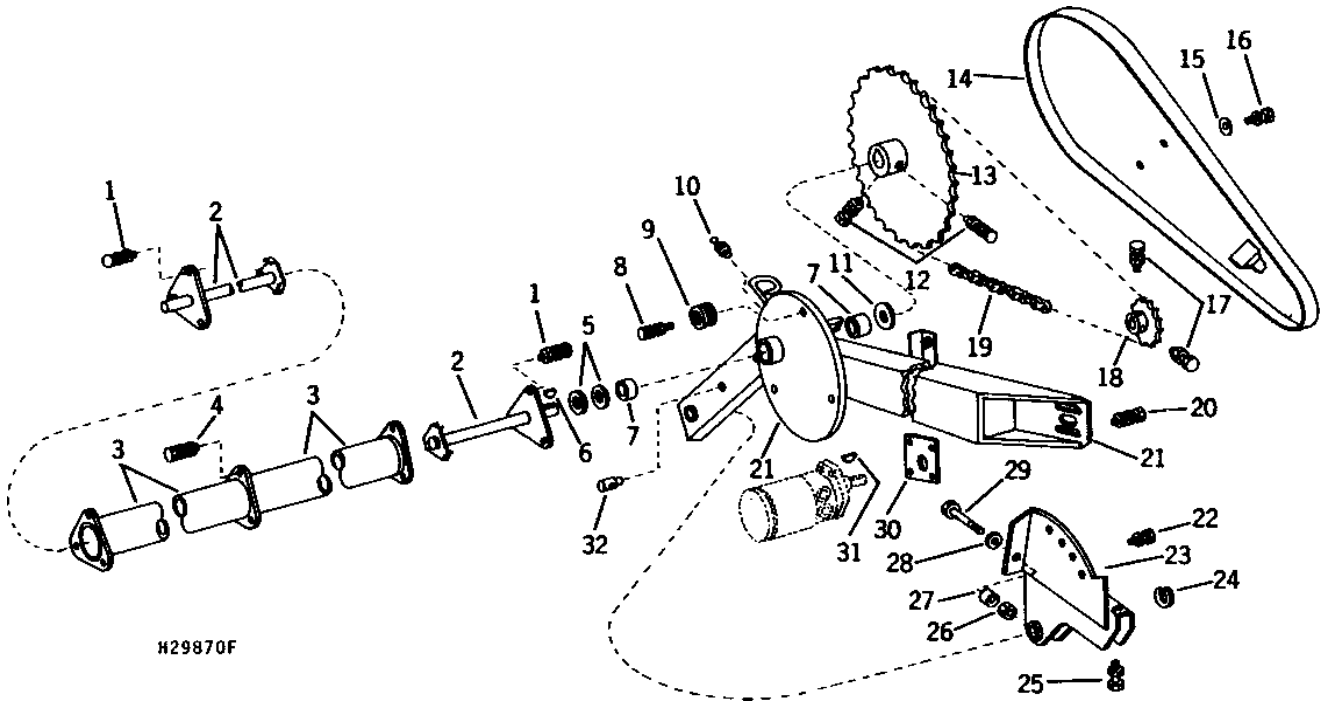
A13

REEL

H29870F

-UN-01JAN94

PICKUP REEL DRIVE SHAFTS, MOUNTINGS, AND SPROCKETS



H29870F

A14

REEL

PICKUP REEL DRIVE SHAFTS, MOUNTINGS, AND SPROCKETS - CONTINUED

| KEY | PART NO. | PART NAME | QTY | SERIAL NO. | REMARKS |
|-----|----------|---------------------|-----|------------|---|
| 1 | 03H1495 | BOLT | 6 | | 3/8" X 1-1/2" |
| | 12H304 | LOCK WASHER | 6 | | 3/8" |
| | H20024 | LOCK NUT | 6 | | |
| 2 | AH97211 | SHAFT | 2 | | |
| 3 | AH97165 | SHAFT | 1 | | CENTER |
| 4 | 19H1732 | CAP SCREW | 6 | | 3/8" X 1-1/4" |
| | 12H304 | LOCK WASHER | 6 | | 3/8" |
| | H20024 | LOCK NUT | 6 | | |
| 5 | 24H1553 | WASHER | 4 | | 1-5/8" X 2-1/4" X 0.194" |
| 6 | 26H46 | SHAFT KEY | 2 | | 3/8" X 2-1/8" |
| 7 | H98743 | BUSHING | 4 | | |
| 8 | 19H1765 | CAP SCREW | 6 | | 3/8" X 1-3/4" |
| | 12H304 | LOCK WASHER | 6 | | 3/8" |
| | 14H812 | NUT | 6 | | 3/8" |
| 9 | AE24403 | BALL BEARING | 6 | | |
| 10 | JD7759 | LUBRICATION FITTING | 2 | | |
| 11 | 24H1520 | WASHER | 2 | | 1-15/32" X 2" X 0.105" |
| 12 | 22H853 | SET SCREW | 4 | | 3/8" X 7/8" |
| | 14H732 | NUT | 4 | | 3/8" |
| 13 | AH88831 | CHAIN SPROCKET | 2 | | 81 TEETH, DRIVEN |
| 14 | AH97012 | SHIELD | 2 | | |
| 15 | 24H1136 | WASHER | 4 | | 11/32" X 11/16" X 0.065" |
| 16 | 19H1900 | CAP SCREW | 4 | | 5/16" X 3/4" |
| | 12H303 | LOCK WASHER | 4 | | 5/16" |
| 17 | 22H818 | SET SCREW | 4 | | 5/16" X 3/4" |
| | 14H611 | NUT | 4 | | 5/16" |
| 18 | AH96655 | CHAIN SPROCKET | 2 | | 13 TEETH |
| 19 | AH96647 | LINK CHAIN | 2 | | ROLLER, DRIVE, TYPE 50, 5/8" PITCH, 164 LINKS |
| 20 | 03H1764 | BOLT | 8 | | 1/2" X 1-3/4" |
| | 12H301 | LOCK WASHER | 8 | | 1/2" |
| | 14H1040 | NUT | 8 | | 1/2" |
| 21 | AH94876 | BRACKET | 1 | -611000 | (SUB AH116646) |
| | AH116646 | SUPPORT | 1 | | (R.H.) |
| | AH96948 | BRACKET | 1 | -611000 | (SUB AH116647) |
| | AH116647 | SUPPORT | 1 | | (L.H.) |
| 22 | 19H1792 | CAP SCREW | 2 | | 1/2" X 1" |
| | 12H301 | LOCK WASHER | 2 | | 1/2" |
| 23 | AH92327 | BRACKET | 1 | | (R.H.) |
| | AH92328 | BRACKET | 1 | | (L.H.) |
| 24 | C3142E | SNAP RING | 2 | | |
| 25 | H93483 | SET SCREW | 2 | | |
| | 14H821 | NUT | 2 | | 5/8" |
| 26 | E54809 | LOCK NUT | 2 | | |
| 27 | H81277 | BUSHING | 2 | | |
| 28 | 24H1111 | WASHER | 2 | | 17/32" X 1-1/16" X 0.090" |
| 29 | 08H4654 | CAP SCREW | 2 | | 1/2" X 7-1/2" |
| 30 | H87360 | SHIM | 2 | | |
| 31 | 26H22 | SHAFT KEY | 2 | | 1/4" X 1" |
| 32 | H89110 | TRUNNION | 2 | | |

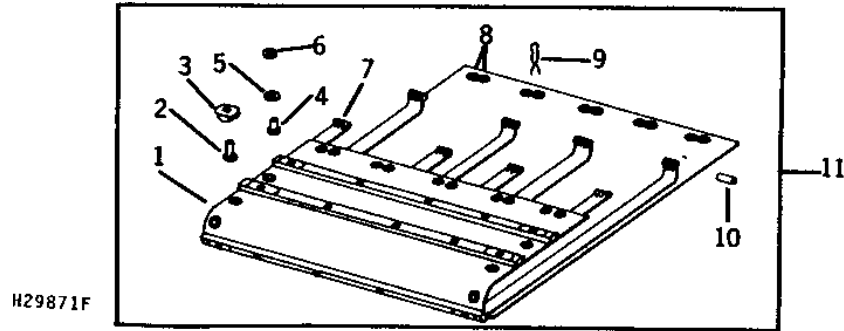
MEMORANDA

A16

FRAME, STRIPPERS, DIVIDERS, AND PLATES

DRAPERS

H29871F -UN-01JAN94



| KEY | PART NO. | PART NAME | QTY | SERIAL NO. | REMARKS |
|-----|----------|-----------|-----|------------|--------------|
| 1 | H92518 | SLAT | 5 | | |
| 2 | P41339 | RIVET | 20 | | |
| 3 | H31621 | CLIP | 10 | | SLAT END |
| 4 | P41338 | RIVET | 16 | | |
| 5 | P13759 | WASHER | 16 | | LEATHER |
| 6 | H31622 | WASHER | 16 | | BURR, RIVET |
| 7 | AH92156 | BELT | 2 | | DRIVE, INNER |
| | AH92157 | BELT | 2 | | DRIVE, OUTER |
| 8 | AP20769 | GROMMET | 20 | | |
| 9 | H31624 | CLAMP | 5 | | |
| 10 | H78717 | PIN | 2 | | |
| 11 | AH92155 | CONVEYOR | 1 | | |

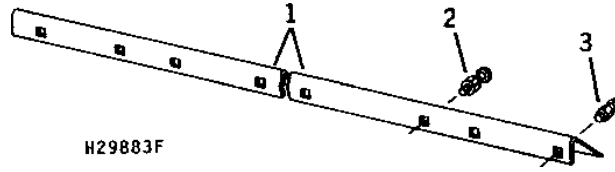
NOTE: QUANTITIES SHOWN ARE FOR ONE UNIT. THREE UNITS USED PER MACHINE.

A17

FRAME, STRIPPERS, DIVIDERS, AND PLATES

H29883F -UN-01JAN94

REAR STRIPPER

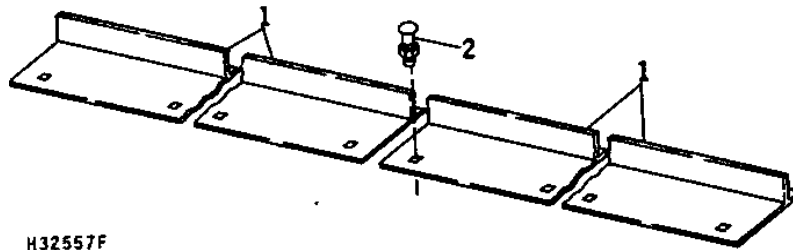


H29883F

| KEY | PART NO. | PART NAME | QTY | SERIAL NO. | REMARKS |
|-----|----------|-----------|-----|-------------|---------|
| 1 | H97193 | STRIPPER | 1 | (R.H.) | |
| | H97194 | STRIPPER | 1 | (L.H.) | |
| 2 | 03H1500 | BOLT | 4 | 3/8" X 1" | |
| | N10215 | LOCK NUT | 4 | | |
| 3 | 03H1765 | BOLT | 14 | 3/8" X 3/4" | |
| | N10215 | LOCK NUT | 14 | | |

H32557F -UN-01JAN94

FLOOR STRIPPER



H32557F

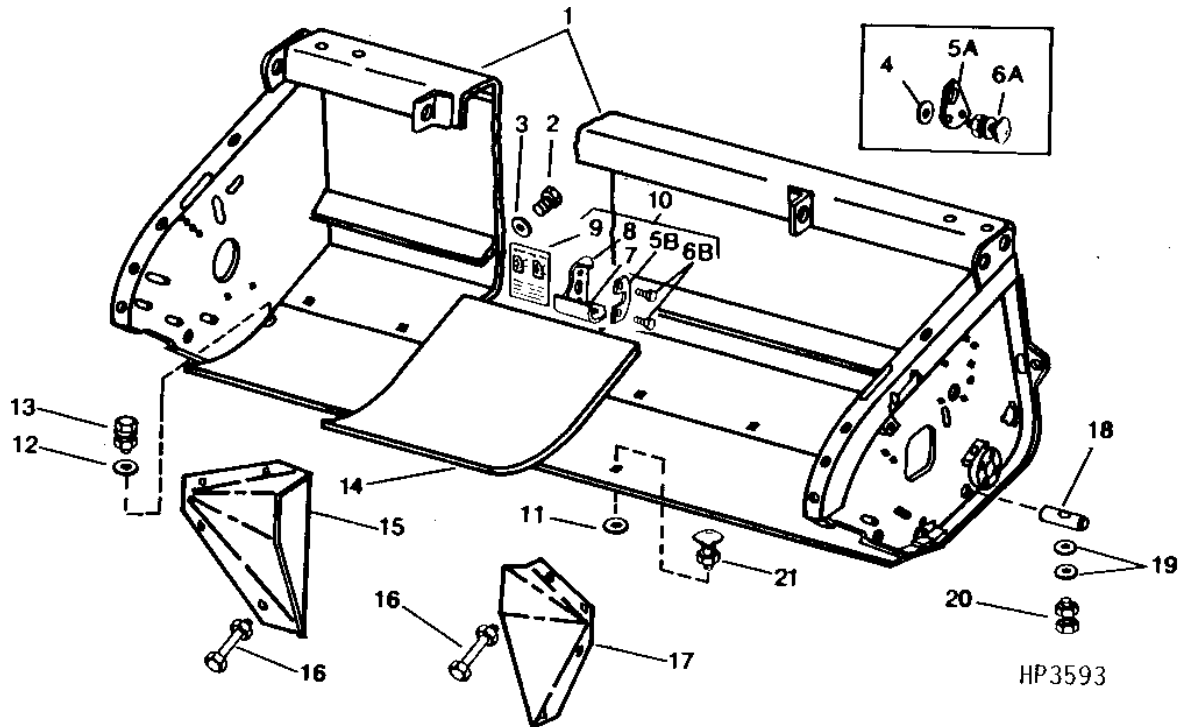
| KEY | PART NO. | PART NAME | QTY | SERIAL NO. | REMARKS |
|-----|----------|-----------|-----|--------------|---------------|
| 1 | AH103318 | STRIPPER | 2 | -483410 | (SUB H109698) |
| | H109698 | STRIPPER | 2 | | |
| 2 | 03H1540 | BOLT | 4 | 5/16" X 3/4" | |
| | N10213 | LOCK NUT | 4 | | |

A18

FRAME, STRIPPERS, DIVIDERS, AND PLATES

HP3593 -UN-01JAN94

FRAME



HP3593

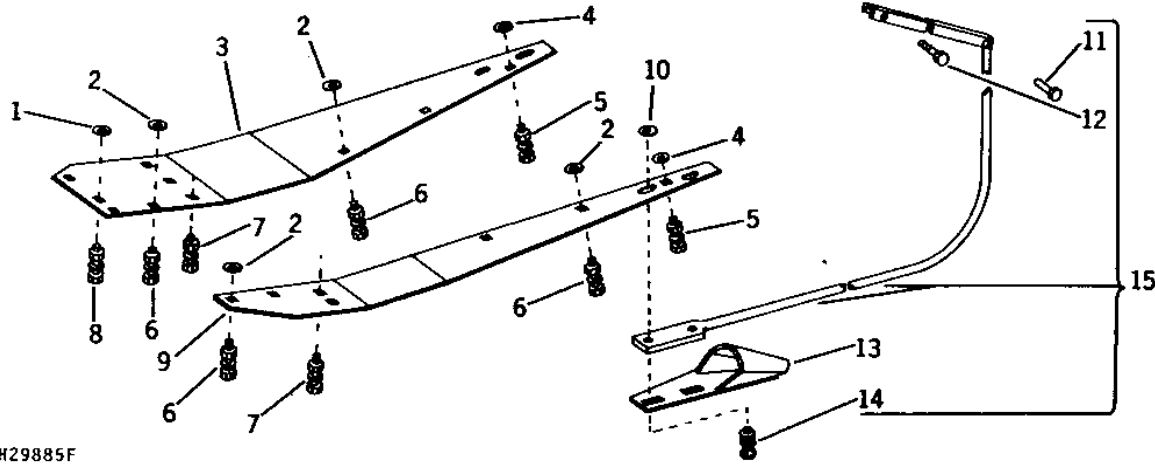
| KEY | PART NO. | PART NAME | QTY | SERIAL NO. | REMARKS |
|-----|----------|---------------|-----|------------|--|
| 1 | AH103317 | FRAME | 1 | -600000 | (SUB AH111264) |
| | AH111264 | FRAME | 1 | | |
| 2 | 19H1756 | CAP SCREW | 2 | | 5/8" X 1-1/2" |
| | 12H294 | LOCK WASHER | 2 | | 5/8" |
| 3 | H20895 | WASHER | 2 | -622200 | (SUB N72306) |
| | N72306 | WASHER | 2 | | 16.662 X 50.800 X 6.350 MM (21/32" X 2" X 1/4") |
| 4 | 24H1825 | WASHER | 4 | -621250 | 11/16" X 1-1/2" X 0.0194" |
| 5A | H91615 | PLATE | 2 | -621250 | |
| 5B | H137143 | PLATE | 1 | | |
| 6A | 09H1587 | BOLT | 4 | -621250 | 5/8" X 2" |
| | 12H304 | LOCK WASHER | 4 | -621250 | 3/8" |
| | 14H1039 | NUT | 4 | -621250 | 5/8" |
| 6B | 19M7784 | SCREW | 2 | | M10 X 20 |
| 7 | | REINFORCEMENT | 1 | | L.H. LATCH PIN PLATE (USE WITH QUIK-TACK OR NEW SERVICE FRAME) |
| | | REINFORCEMENT | 1 | | |
| 8 | | PLATE | 1 | | R.H.(USE WITH QUIK-TACK OR NEW SERVICE FRAME) |
| | | PLATE | 1 | | (INSTALLED ON L.H. SIDE OF BACKSHEET ONLY) |
| 9 | H136751 | DECAL | 1 | | |
| 10 | AH132905 | PIN | 1 | | R.H. (LATCH PIN ASSY) |
| | AH132906 | PIN | 1 | | L.H. (LATCH PIN ASSY) |
| 11 | 24H1327 | WASHER | 4 | | 15/32" X 1-1/8" X 7/64" |
| 12 | 24H1111 | WASHER | 2 | | 17/32" X 1-1/16" X 0.090" |
| 13 | 03H1659 | BOLT | 2 | | 1/2" X 1" |
| | 12H301 | LOCK WASHER | 2 | | 1/2" |
| | 14H1040 | NUT | 2 | | 1/2" |
| 14 | H113371 | FLOOR | 1 | | (ARC WELDED) |
| 15 | AH96757 | SHIELD | 1 | | R.H. (8820) |
| 16 | 03H1268 | BOLT | 8 | | 5/16" X 3/4" |
| | 12H303 | LOCK WASHER | 8 | | 5/16" |
| | 14H785 | NUT | 8 | | 5/16" |
| 17 | AH96758 | SHIELD | 1 | | L.H. (8820) |
| 18 | H87337 | PIN | 5 | | ADJUSTING |
| 19 | 24H1111 | WASHER | 14 | | 17/32" X 1-1/16" X 0.090" |
| 20 | 19H2062 | CAP SCREW | 7 | | 1/2" X 4" |
| | 14H1040 | NUT | 7 | | 1/2" |
| 21 | 03H1540 | BOLT | 4 | | 5/16" X 3/4" |
| | N10213 | LOCK NUT | 4 | | |

A19

FRAME, STRIPPERS, DIVIDERS, AND PLATES

H29885F -UN-01JAN94

DIVIDER POINTS



H29885F

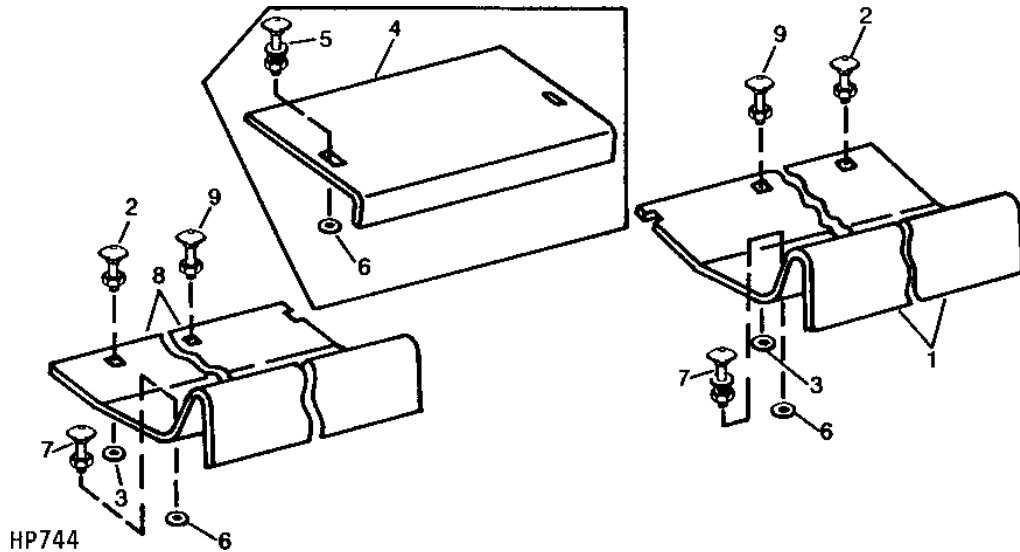
| KEY | PART NO. | PART NAME | QTY | SERIAL NO. | REMARKS |
|-----|----------|--------------|-----|---------------------------|---------|
| 1 | 24H1111 | WASHER | 2 | 17/32" X 1-1/16" X 0.090" | |
| 2 | 24H1305 | WASHER | 8 | 13/32" X 13/16" X 0.065" | |
| 3 | H96365 | SHOE | 1 | (L.H.) | |
| 4 | 24H1305 | WASHER | 2 | 13/32" X 13/16" X 0.065" | |
| 5 | 10H1026 | BOLT | 2 | 3/8" X 1" | |
| | 12H304 | LOCK WASHER | 2 | 3/8" | |
| | 14H812 | NUT | 2 | 3/8" | |
| 6 | 03H1500 | BOLT | 8 | 3/8" X 1" | |
| | 12H304 | LOCK WASHER | 8 | 3/8" | |
| | 14H812 | NUT | 8 | 3/8" | |
| 7 | 03H1659 | BOLT | 5 | 1/2" X 1" | |
| | 12H301 | LOCK WASHER | 5 | 1/2" | |
| | 14H1040 | NUT | 5 | 1/2" | |
| 8 | 03H1731 | BOLT | 2 | 1/2" X 1-1/2" | |
| | 12H301 | LOCK WASHER | 2 | 1/2" | |
| | 14H1040 | NUT | 2 | 1/2" | |
| 9 | H96364 | SHOE | 1 | (R.H.) | |
| 10 | 24H1136 | WASHER | 4 | 11/32" X 11/16" X 0.065" | |
| 11 | 16H1357 | RIVET | 2 | 3/8" X 1-1/2" | |
| 12 | 19H1801 | CAP SCREW | 2 | 3/8" X 2" | |
| | H95174 | LOCK NUT | 2 | | |
| 13 | AH93794 | POINT | 2 | LOOP DIVIDER | |
| 14 | 19H1906 | CAP SCREW | 4 | 5/16" X 1-1/2" | |
| | 12H303 | LOCK WASHER | 4 | 5/16" | |
| | 14H785 | NUT | 4 | 5/16" | |
| 15 | AH92459 | CROP DIVIDER | 2 | | |

A20

FRAME, STRIPPERS, DIVIDERS, AND PLATES

FEED PLATES

HP744 -UN-01JAN94



| KEY | PART NO. | PART NAME | QTY | SERIAL NO. | REMARKS |
|-----|----------|-------------|-----|------------|---------------------------|
| 1 | H96281 | PLATE | 1 | -483410 | (L.H.) |
| | H109212 | PLATE | 1 | 483411- | (L.H.) |
| 2 | 03H1659 | BOLT | 2 | | 1/2" X 1" |
| | 12H301 | LOCK WASHER | 2 | | 1/2" |
| | 14H1040 | NUT | 2 | | 1/2" |
| 3 | 24H1111 | WASHER | 2 | | 17/32" X 1-1/16" X 0.090" |
| 4 | H96276 | STRAP | 1 | -483410 | |
| 5 | 03H1765 | BOLT | 2 | -483410 | 3/8" X 3/4" |
| | 12H304 | LOCK WASHER | 2 | -483410 | 3/8" |
| | 14H812 | NUT | 2 | -483410 | 3/8" |
| 6 | 24H1305 | WASHER | 14 | -483410 | 13/32" X 13/16" X 0.065" |
| | 24H1305 | WASHER | 12 | 483411- | 13/32" X 13/16" X 0.065" |
| 7 | 03H1500 | BOLT | 12 | | 3/8" X 1" |
| | 12H304 | LOCK WASHER | 12 | | 3/8" |
| | 14H812 | NUT | 12 | | 3/8" |
| 8 | H96280 | PLATE | 1 | -483410 | (R.H.) |
| | H109211 | PLATE | 1 | 483411- | (R.H.) |
| 9 | 03H1540 | BOLT | 4 | | 5/16" X 3/4" |
| | N10213 | LOCK NUT | 4 | | |