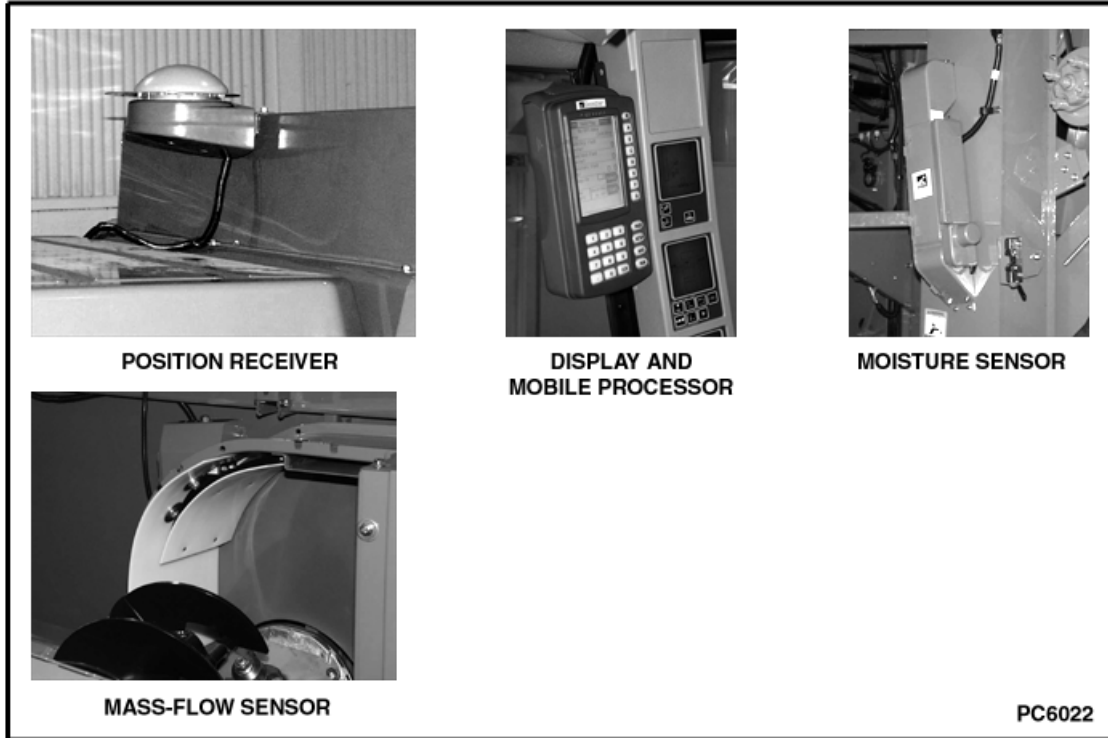


# A2

## GREENSTAR™ 50 SERIES COMBINE YIELD MONITOR SYSTEM AND YIELD MAPPING SYSTEM

PC6022

-UN-03AUG99



GREENSTAR™ YIELD MAPPING SYSTEM (1999- )

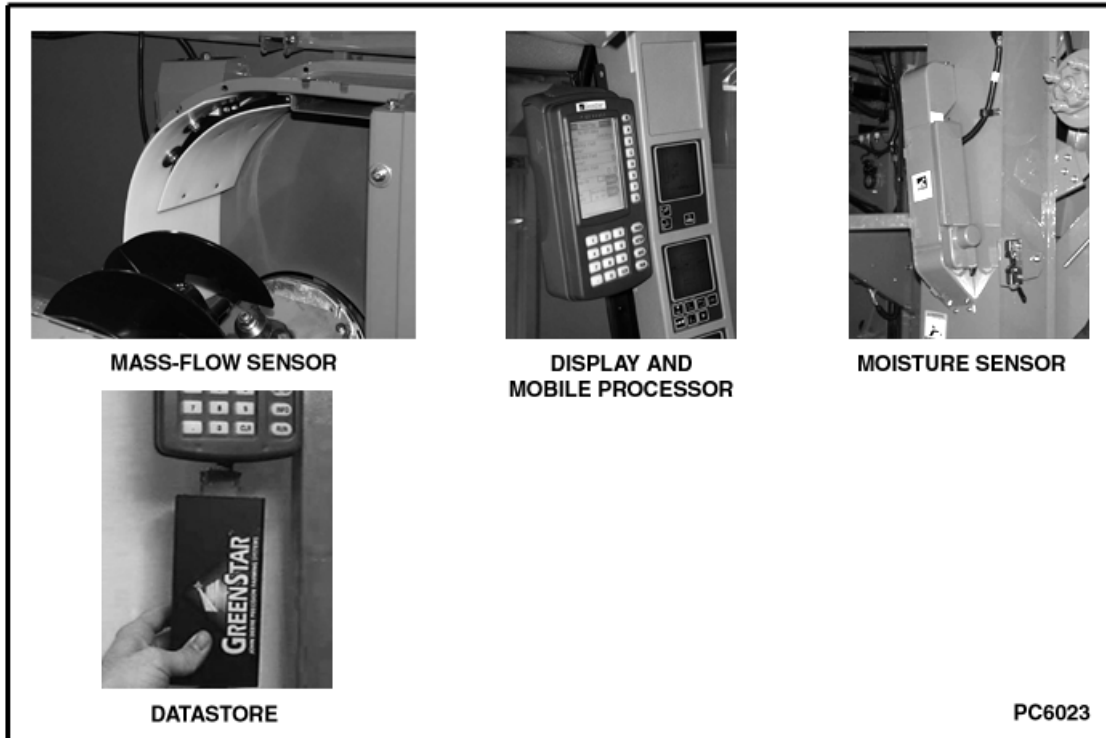
(SPECIFICATIONS AND DESIGN SUBJECT TO CHANGE WITHOUT NOTICE)

# A3

## GREENSTAR™ 50 SERIES COMBINE YIELD MONITOR SYSTEM AND YIELD MAPPING SYSTEM

PC6023

-UN-03AUG99



GREENSTAR™ YIELD MONITORING SYSTEM (1999- )

(SPECIFICATIONS AND DESIGN SUBJECT TO CHANGE WITHOUT NOTICE)

# A4

VINTAGE IS DETERMINED BY THE SERIAL NUMBER OR THE PRODUCT IDENTIFICATION NUMBER (PIN).

## **IMPORTANT**

THIS PARTS CATALOG CONTAINS PARTS INFORMATION FOR THE GREENSTAR™ COMBINE YIELD MAPPING AND MONITORING SYSTEM. THIS SYSTEM IS USED ON 9450, 9550, SH9550, 9650, 9650STS, 9650CTS AND 9750STS. VINTAGE IS DETERMINED BY THE SERIAL NUMBER OR THE PRODUCT IDENTIFICATION NUMBER (PIN). IT IS IMPORTANT THAT THE CORRECT NUMBERS BE USED WHEN ORDERING PARTS.

## PRODUCT INFORMATION NUMBER (PIN) PLATE

THE PRODUCT IDENTIFICATION NUMBER (PIN) PLATE IS LOCATED ON THE FRONT COVER OF THE MAPPING PROCESSOR.

### AN EXAMPLE OF THE TWO-LINES ON THIS PIN PLATE IS:

PCGU01XXXXXX  
COMBINE YIELD MAPPING

(FIRST LINE)

PC - MANUFACTURING UNIT (PRECISION FARMING)

G - GREENSTAR

U - GREENSTAR DISPLAY; V - MOBILE PROCESSOR; X - MASS-FLOW SENSOR

W - MOISTURE SENSOR; T - POSITION RECEIVER

640101 - SEQUENTIAL NUMBER USED IN SERIAL NO. COLUMN

(SECOND LINE)

COMBINE YIELD MAPPING - TYPE OF PRODUCT

## PARTS LISTING INFORMATION

SERIAL NUMBER OR PRODUCT IDENTIFICATION NUMBER (PIN) INFORMATION SHOWS ON WHICH EQUIPMENT PART MAY BE USED; FOR EXAMPLE:

- THE PART CAN BE USED ON ALL MACHINES.
- 000000 THE PART CAN BE USED ON ALL MACHINES UP TO AND INCLUDING THE SERIAL NUMBER LISTED.
- 000000- THE PART CAN BE USED ON ALL MACHINES BEGINNING WITH THE SERIAL NUMBER LISTED.
- 000000-000000 THE PART CAN BE USED ON ALL MACHINES BETWEEN AND INCLUDING SERIAL NUMBERS LISTED.

WHEN XXXXXX'S ARE LISTED IN PLACE OF A SERIAL NUMBER, A SERIAL NUMBER CHANGE WAS MADE, BUT THE EXACT SERIAL NUMBER IS NOT AVAILABLE WHEN THE CATALOG WAS PRINTED.

## DIRECTION ARROW

ARROWS ARE USED WITH ILLUSTRATIONS TO INDICATE THE FRONT OF THE UNIT. "RIGHT-HAND" AND "LEFT-HAND" SIDES ARE DETERMINED BY FACING IN THE DIRECTION OF MACHINE FORWARD TRAVEL.

## BOX-ENCLOSED ILLUSTRATIONS

A KEY NUMBER, SHOWN IN THE PARTS LIST, IS ASSIGNED TO A BOX ENCLOSING ALL PARTS SOLD AS A SERVICE ASSEMBLY. A BOX NOT KEYED INCLUDES NON-CURRENT PARTS.

## KITS

KIT INFORMATION WILL BE FOUND IMMEDIATELY FOLLOWING THE STORY IN WHICH IT IS USED. THE ILLUSTRATION IS REPEATED WITH ONLY THE KIT PARTS CALLED OUT AND WITH ALL OTHER PARTS SHOWN IN PHANTOM.

*COPYRIGHT (C) 1997. DEERE & COMPANY. MOLINE, ILLINOIS. ALL RIGHTS RESERVED.*

**Thanks very much for your reading,  
Want to get more information,  
Please click here, Then get the complete  
manual**

**JustClickHere** 

**NOTE:**

**If there is no response to click on the link above,  
please download the PDF document first, and then  
click on it.**

**Have any questions please write to me:  
[admin@servicemanualperfect.com](mailto:admin@servicemanualperfect.com)**

## JDM REMANUFACTURED COMPONENTS

THE SERVICE PARTS LISTED IN THIS CATALOG ARE INTENDED FOR THE REPAIR OF ORIGINAL EQUIPMENT COMPONENTS. ALTHOUGH MOST SERVICE PARTS MAY BE USED TO REPAIR REMANUFACTURED COMPONENTS, THE REMANUFACTURED DESIGN MAY CHANGE PARTS SUFFICIENTLY SO THAT SERVICE PARTS ARE INADEQUATE OR NOT USABLE.

## BOLT AND CAP SCREW STRENGTH IDENTIFICATION

BOLTS AND CAP SCREWS REQUIRED TO HAVE HIGH-STRENGTH QUALITIES EQUIVALENT TO SAE GRADE 8 ARE IDENTIFIED THROUGHOUT THIS CATALOG BY THE DESCRIPTION HS SAE 8. ALL STANDARD BOLTS AND CAP SCREWS ARE SAE GRADE 5 OR LOWER. BOLTS AND CAP SCREWS REQUIRED TO HAVE HIGH-STRENGTH QUALITIES EQUIVALENT TO PROPERTY CLASS 10.9 ARE IDENTIFIED THROUGHOUT THIS CATALOG BY THE DESCRIPTION HS 10.9. ALL STANDARD BOLTS AND CAP SCREWS ARE PROPERTY CLASS 8.8 OR LOWER.

## SI UNITS OF MEASURE

METRIC DIMENSIONS ARE GIVEN, WHERE APPLICABLE, THROUGHOUT THIS PARTS CATALOG.

## TRADEMARKS

THROUGHOUT THIS PARTS CATALOG, YOU WILL FIND THE FOLLOWING DEERE & COMPANY TRADEMARKS:

GREENSTAR™

## CHANGE INDICATOR LINE

CHANGES AFFECTING THE ORDERING OF PARTS ARE IDENTIFIED BY VERTICAL LINES MARKED IN THE LEFT-HAND MARGIN OF REVISED PARTS LISTING IMAGES. A LINE IS ALSO AT THE LEFT-HAND EDGE OF THE SAME PART NUMBER IN THE NUMERICAL INDEX TO SHOW THE LOCATION OF REVISED INFORMATION.

## FUNCTION CODE (EXAMPLE - FC: 5000)

FUNCTION CODES ARE LOCATED ON EACH PAGE IN THE UPPER RIGHT-HAND CORNER IN THE BOX. THE CODE LISTED IS A GROUPING CODE THAT CAN BE USED FOR WARRANTIES AND FOR DTAC TO IDENTIFY CERTAIN AREAS.

## COMPLETE GOODS LISTINGS

COMPLETE GOODS ARE IN BOLD FACE TYPE. ORDER SEPARATELY. DO NOT INCLUDE ON REPLACEMENT PARTS ORDER.

SECTION INDEX

SECTION 10 - GENERAL INFORMATION

SECTION 20 - COMBINE YIELD MAPPING

SECTION 30 - COMBINE YIELD MONITOR

SECTION 180 - NUMERICAL INDEX

# A8

## GREENSTAR™ 50 SERIES COMBINE YIELD MONITOR SYSTEM AND YIELD MAPPING SYSTEM

### ALPHABETICAL INDEX

| <i>GRID</i> |   | <i>PAGE</i> | <i>GRID</i> |   | <i>PAGE</i> |
|-------------|---|-------------|-------------|---|-------------|
| <b>B</b>    |   |             |             |   |             |
| A14         | BRACKET, DISPLAY<br>YIELD MAPPING .....                         | 20-4        | B2          | DISPLAY<br>YIELD MONITOR .....                          | 30-2        |
| B2          | BRACKET, DISPLAY<br>YIELD MONITOR .....                         | 30-2        | A14         | DISPLAY BRACKET<br>YIELD MAPPING .....                  | 20-4        |
| A16         | BRACKET, MASS FLOW SENSOR<br>YIELD MAPPING .....                | 20-6        | B2          | DISPLAY BRACKET<br>YIELD MONITOR .....                  | 30-2        |
| B4          | BRACKET, MASS FLOW SENSOR<br>YIELD MONITOR .....                | 30-4        | B14         | DISPLAY DECALS<br>YIELD MONITOR .....                   | 30-14       |
| A18         | BRACKET, MOISTURE SENSOR<br>YIELD MAPPING .....                 | 20-8        | B10         | DISPLAY W/DATASTORE .....                               | 30-10       |
| B6          | BRACKET, MOISTURE SENSOR<br>YIELD MONITOR .....                 | 30-6        | A16         | DOOR, MASS FLOW SENSOR DEFLECTOR<br>YIELD MAPPING ..... | 20-6        |
| A12         | BRACKET, POSITION RECEIVER<br>YIELD MAPPING .....               | 20-2        | B4          | DOOR, MASS FLOW SENSOR DEFLECTOR<br>YIELD MONITOR ..... | 30-4        |
| A16         | BRACKET, TRANSDUCER MOUNTING<br>YIELD MAPPING .....             | 20-6        | <b>F</b>    |   |             |
| B4          | BRACKET, TRANSDUCER MOUNTING<br>YIELD MONITOR .....             | 30-4        | A16         | FLOW SENSOR, MASS<br>YIELD MAPPING .....                | 20-6        |
| <b>C</b>    |   |             |             |   |             |
| B8          | CABLE, DATASTORE/COMPUTER.....                                  | 30-8        | B4          | FLOW SENSOR, MASS<br>YIELD MONITOR .....                | 30-4        |
| A18         | COVER, MOISTURE SENSOR<br>YIELD MAPPING .....                   | 20-8        | <b>H</b>    |   |             |
| B6          | COVER, MOISTURE SENSOR<br>YIELD MONITOR .....                   | 30-6        | B10         | HARNESS, DATASTORE.....                                 | 30-10       |
| A12         | COVER, POSITION RECEIVER<br>YIELD MAPPING .....                 | 20-2        | A18         | HARNESS, MOISTURE SENSOR MOTOR<br>YIELD MAPPING .....   | 20-8        |
| A20         | COVERS, MOISTURE SENSOR<br>YIELD MAPPING .....                  | 20-10       | B6          | HARNESS, MOISTURE SENSOR MOTOR<br>YIELD MONITOR .....   | 30-6        |
| B12         | COVERS, MOISTURE SENSOR<br>YIELD MONITOR .....                  | 30-12       | <b>M</b>    |   |             |
| A20         | COVERS, WHEN MOISTURE SENSOR IS NOT USED<br>YIELD MAPPING ..... | 20-10       | A16         | MASS FLOW SENSOR<br>YIELD MAPPING .....                 | 20-6        |
| B12         | COVERS, WHEN MOISTURE SENSOR IS NOT USED<br>YIELD MONITOR ..... | 30-12       | B4          | MASS FLOW SENSOR<br>YIELD MONITOR .....                 | 30-4        |
| <b>D</b>    |   |             |             |   |             |
| B8          | DATASTORE.....  | 30-8        | A16         | MASS FLOW SENSOR BRACKET<br>YIELD MAPPING .....         | 20-6        |
| B8          | DATASTORE MODULE .....  | 30-8        | B4          | MASS FLOW SENSOR BRACKET<br>YIELD MONITOR .....         | 30-4        |
| B10         | DATASTORE MODULE .....  | 30-10       | A16         | MASS FLOW SENSOR DOOR<br>YIELD MAPPING .....            | 20-6        |
| B10         | DATASTORE W/DISPLAY .....                                       | 30-10       | B4          | MASS FLOW SENSOR DOOR<br>YIELD MONITOR .....            | 30-4        |
| A22         | DECALS<br>YIELD MAPPING .....                                   | 20-12       | A14         | MOBILE PROCESSOR<br>YIELD MAPPING .....                 | 20-4        |
| B14         | DECALS<br>YIELD MONITOR .....                                   | 30-14       | B8          | MODULE, DATASTORE.....                                  | 30-8        |
| A22         | DECALS, DISPLAY<br>YIELD MAPPING .....                          | 20-12       | B10         | MODULE, DATASTORE.....                                  | 30-10       |
| B14         | DECALS, DISPLAY<br>YIELD MONITOR .....                          | 30-14       | A18         | MOISTURE SENSOR<br>YIELD MAPPING .....                  | 20-8        |
| A22         | DECALS, MOISTURE SENSOR<br>YIELD MAPPING .....                  | 20-12       | B6          | MOISTURE SENSOR<br>YIELD MONITOR .....                  | 30-6        |
| B14         | DECALS, MOISTURE SENSOR<br>YIELD MONITOR .....                  | 30-14       | A18         | MOISTURE SENSOR BRACKET<br>YIELD MAPPING .....          | 20-8        |
| A22         | DECALS, PROCESSOR<br>YIELD MAPPING .....                        | 20-12       | B6          | MOISTURE SENSOR BRACKET<br>YIELD MONITOR .....          | 30-6        |
| A16         | DEFLECTOR DOOR, MASS FLOW SENSOR<br>YIELD MAPPING .....         | 20-6        | A18         | MOISTURE SENSOR COVER<br>YIELD MAPPING .....            | 20-8        |
| B4          | DEFLECTOR DOOR, MASS FLOW SENSOR<br>YIELD MONITOR .....         | 30-4        | B6          | MOISTURE SENSOR COVER<br>YIELD MONITOR .....            | 30-6        |
| A14         | DISPLAY<br>YIELD MAPPING .....                                  | 20-4        | A20         | MOISTURE SENSOR COVERS<br>YIELD MAPPING .....           | 20-10       |
|             |   |             | B12         | MOISTURE SENSOR COVERS<br>YIELD MONITOR .....           | 30-12       |



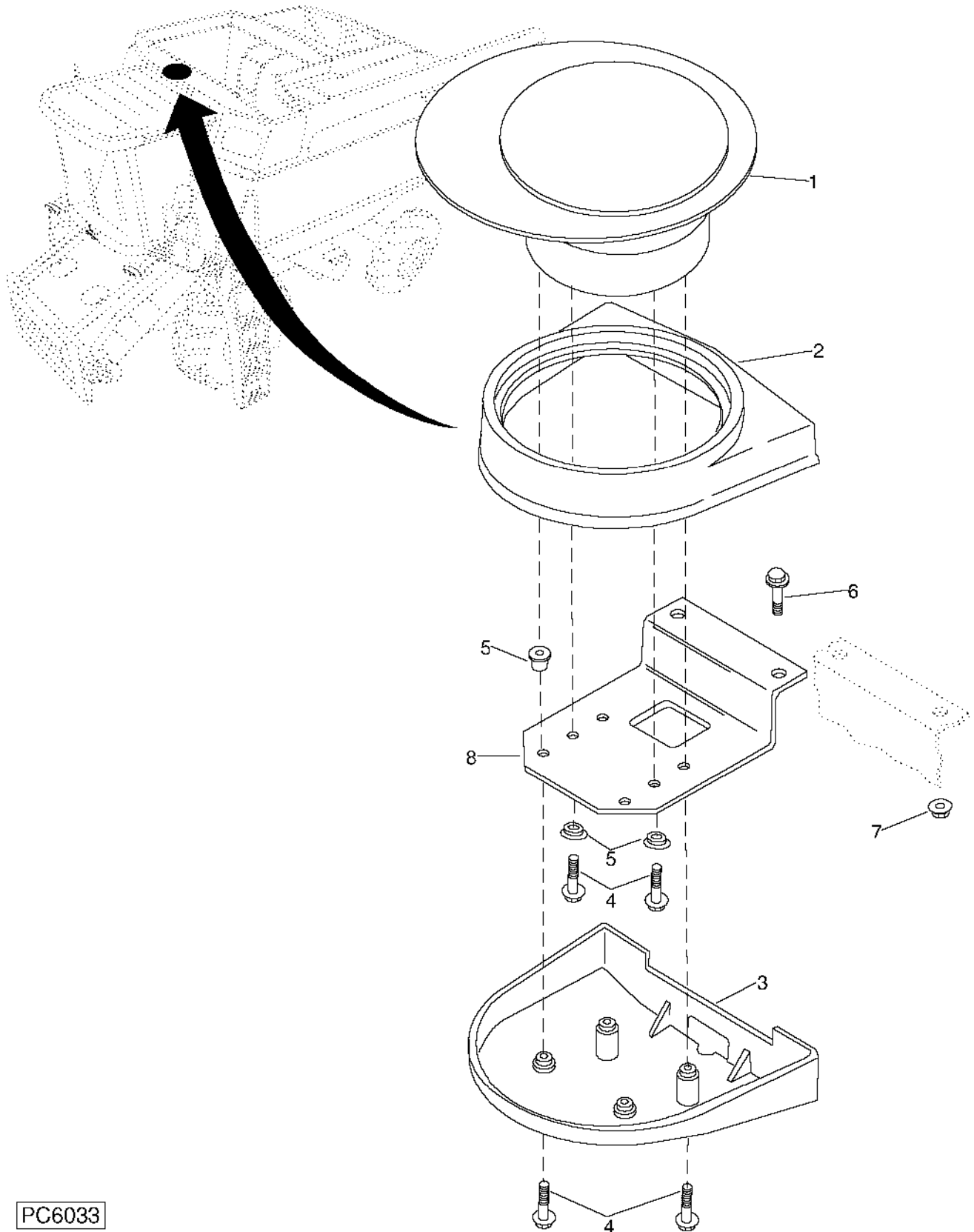
# A9

## ALPHABETICAL INDEX - CONTINUED

| <i>GRID</i> |   | <i>PAGE</i> | <i>GRID</i> | <i>PAGE</i> |
|-------------|---|-------------|-------------|-------------|
| A20         | MOISTURE SENSOR COVERS - YIELD MAPPING<br>W/O MOISTURE SENSOR ..... | 20 - 10     |             |             |
| B12         | MOISTURE SENSOR COVERS - YIELD MONITOR<br>W/O MOISTURE SENSOR ..... | 30 - 12     |             |             |
| B14         | MOISTURE SENSOR DECALS<br>YIELD MONITOR .....                       | 30 - 14     |             |             |
| A18         | MOISTURE SENSOR MOTOR<br>YIELD MAPPING .....                        | 20 - 8      |             |             |
| B6          | MOISTURE SENSOR MOTOR<br>YIELD MONITOR .....                        | 30 - 6      |             |             |
| A18         | MOISTURE SENSOR MOTOR HARNESS<br>YIELD MAPPING .....                | 20 - 8      |             |             |
| B6          | MOISTURE SENSOR MOTOR WIRING HARNESS<br>YIELD MONITOR .....         | 30 - 6      |             |             |
| A18         | MOTOR, MOISTURE SENSOR<br>YIELD MAPPING .....                       | 20 - 8      |             |             |
| B6          | MOTOR, MOISTURE SENSOR<br>YIELD MONITOR .....                       | 30 - 6      |             |             |
| P           |   |             |             |             |
| A18         | PADDLE, MOISTURE SENSOR<br>YIELD MAPPING .....                      | 20 - 8      |             |             |
| B6          | PADDLE, MOISTURE SENSOR<br>YIELD MONITOR .....                      | 30 - 6      |             |             |
| A12         | POSITION RECEIVER<br>YIELD MAPPING .....                            | 20 - 2      |             |             |
| A12         | POSITION RECEIVER BRACKET<br>YIELD MAPPING .....                    | 20 - 2      |             |             |
| A12         | POSITION RECEIVER COVER<br>YIELD MAPPING .....                      | 20 - 2      |             |             |
| A14         | PROCESSOR, MOBILE<br>YIELD MAPPING .....                            | 20 - 4      |             |             |
| R           |   |             |             |             |
| A12         | RECEIVER, POSITION<br>YIELD MAPPING .....                           | 20 - 2      |             |             |
| S           |   |             |             |             |
| A16         | SENSOR, MASS FLOW<br>YIELD MAPPING .....                            | 20 - 6      |             |             |
| B4          | SENSOR, MASS FLOW<br>YIELD MONITOR .....                            | 30 - 4      |             |             |
| A18         | SENSOR, MOISTURE<br>YIELD MAPPING .....                             | 20 - 8      |             |             |
| B6          | SENSOR, MOISTURE<br>YIELD MONITOR .....                             | 30 - 6      |             |             |
| T           |   |             |             |             |
| A16         | TRANSDUCER<br>YIELD MAPPING .....                                   | 20 - 6      |             |             |
| B4          | TRANSDUCER<br>YIELD MONITOR .....                                   | 30 - 4      |             |             |
| A16         | TRANSDUCER MOUNTING BRACKET<br>YIELD MAPPING .....                  | 20 - 6      |             |             |
| B4          | TRANSDUCER MOUNTING BRACKET<br>YIELD MONITOR .....                  | 30 - 4      |             |             |
| B8          | TRANSFORMER, DATASTORE .....  | 30 - 8      |             |             |

MEMORANDA

**POSITION RECEIVER**  
PC6033 -UN-03SEP99

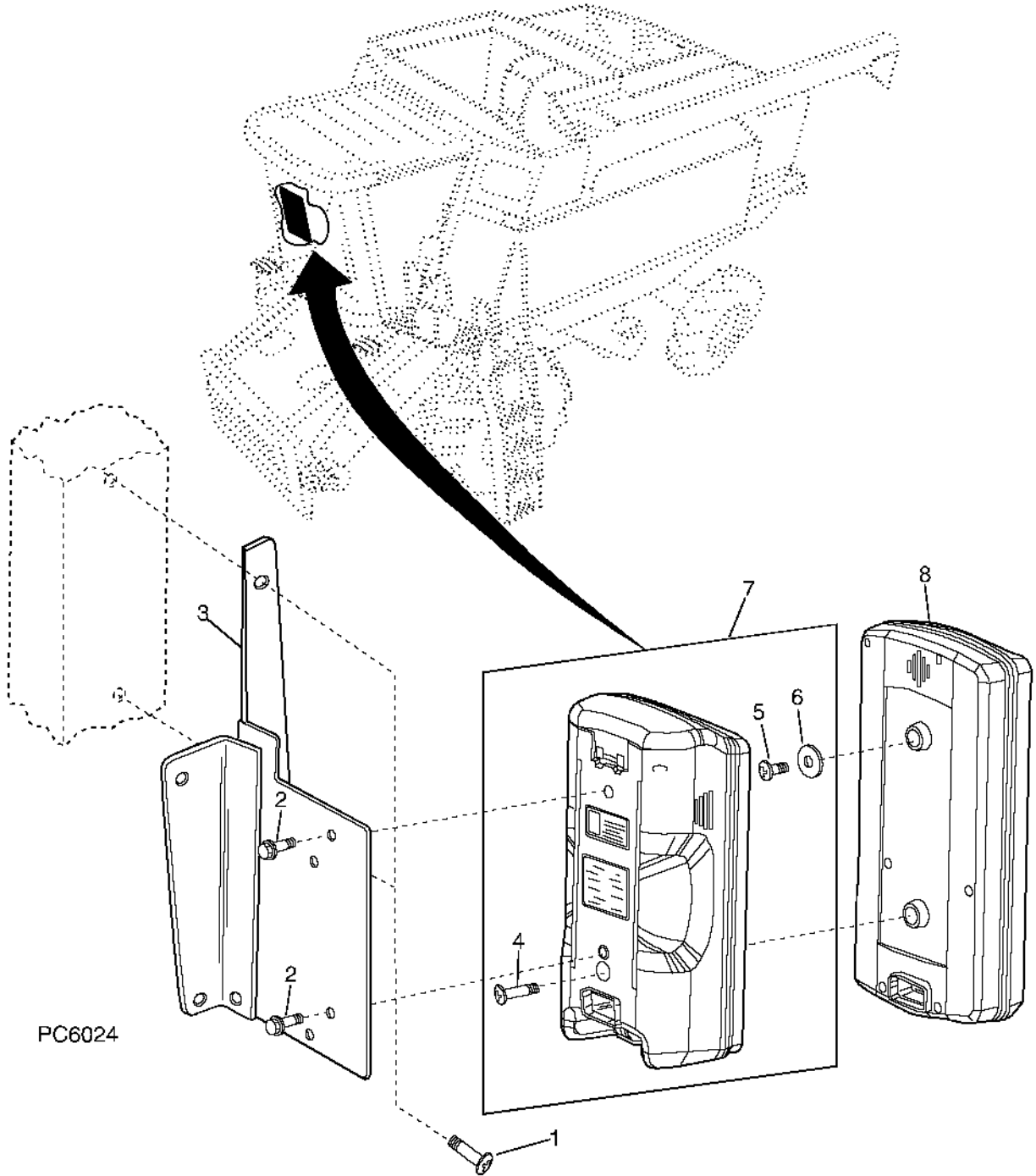


PC6033

**POSITION RECEIVER - CONTINUED**

| KEY | PART NO. | PART NAME         | QTY | SERIAL NO. | REMARKS                     |
|-----|----------|-------------------|-----|------------|-----------------------------|
| 1   | PF80153  | POSITION RECEIVER | 1   |            |                             |
| 2   | PF10134  | COVER             | 1   |            | TOP                         |
| 3   | PF10135  | COVER             | 1   |            | BOTTOM                      |
| 4   | 21M7267  | SCREW             | 6   |            | M6 X 20                     |
| 5   | PF10240  | WASHER            | 6   |            | NYLON SPACERS               |
| 6   | 19M7865  | SCREW             | 2   |            | M8 X 16                     |
| 7   | 14M7298  | FLANGE NUT        | 2   |            | M8                          |
| 8   | PF10123  | BRACKET           | 1   |            | 9450, 9550 AND 9650 COMBINE |
|     | PF10523  | BRACKET           | 1   |            | 9750 COMBINE                |

GREENSTAR™ DISPLAY AND MOBILE PROCESSOR  
PC6024 -UN-11AUG99



## GREENSTAR™ DISPLAY AND MOBILE PROCESSOR - CONTINUED

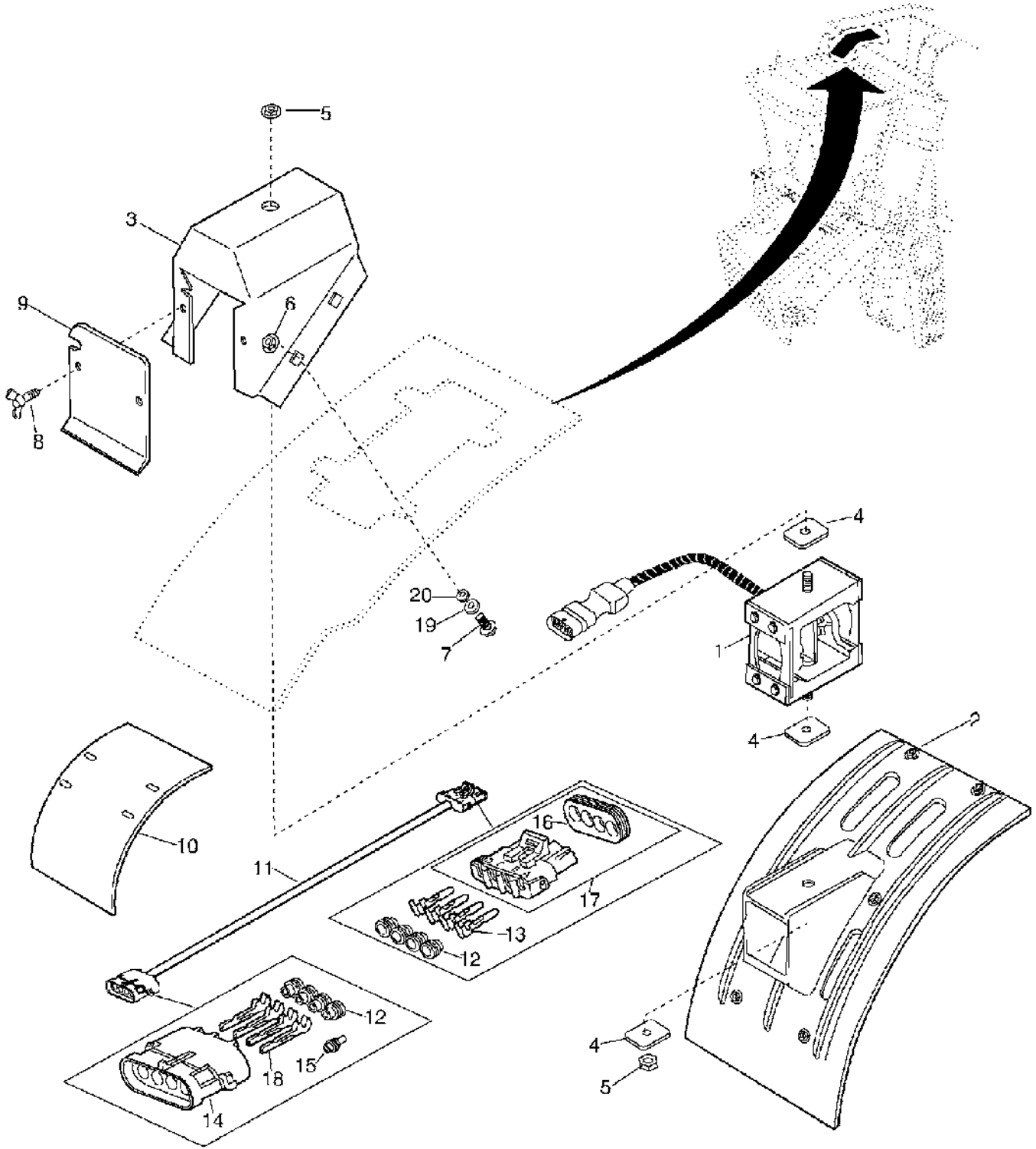
| KEY | PART NO. | PART NAME                | QTY | SERIAL NO. | REMARKS           |
|-----|----------|--------------------------|-----|------------|-------------------|
| 1   | H168424  | SCREW                    | 2   |            | M5 X 12           |
| 2   | 19M7774  | SCREW                    | 2   |            | M6 X 12           |
| 3   | PF80209  | BRACKET                  | 1   |            |                   |
| 4   | 21M7327  | SCREW                    | 1   |            |                   |
| 5   | 21M7305  | SCREW                    | 1   |            | M6 X 12           |
| 6   | 24M7100  | WASHER                   | 1   |            | 6.600 X 22 X 2 MM |
| 7   | PF80156  | MOBILE PROCESSOR MODULE  | 1   |            |                   |
| 8   | PF80150  | GREENSTAR DISPLAY MODULE | 1   |            |                   |

# A16

FC: 8150

GREENSTAR™ COMBINE MAPPING

MASS FLOW SENSOR  
PC6027 -UN-24SEP99



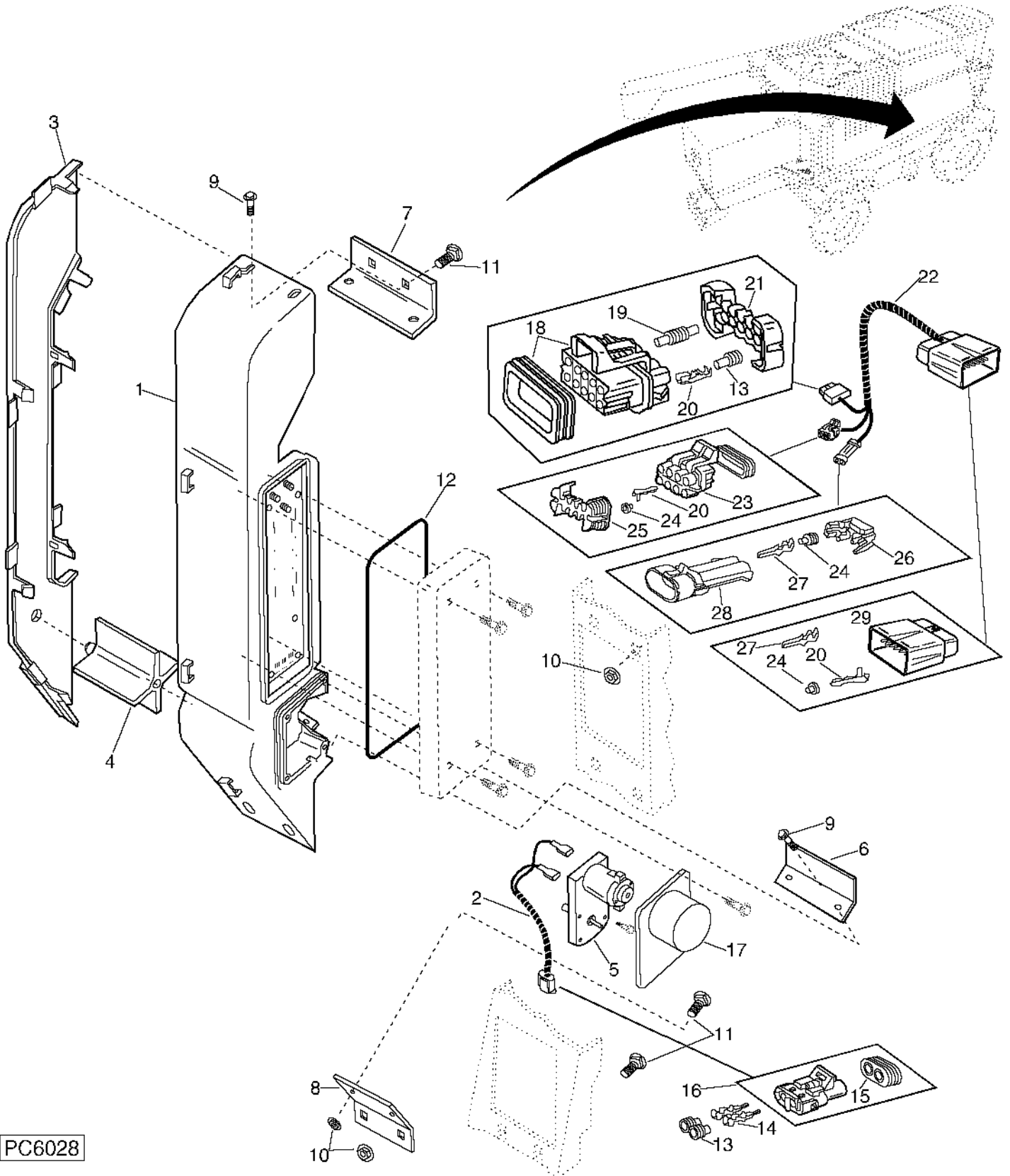
PC6027

## MASS FLOW SENSOR - CONTINUED

| KEY | PART NO. | PART NAME                  | QTY | SERIAL NO. | REMARKS   |
|-----|----------|----------------------------|-----|------------|---|
| 1   | PF80000  | TRANSDUCER                 | 1   |            |   |
| 2   | AH165256 | BRACKET                    | 1   |            |   |
| 3   | PF80047  | BRACKET                    | 1   |            |   |
| 4   | PF10350  | SPACER                     | AR  |            |   |
| 5   | H135891  | LOCK NUT                   | 2   | M10        |   |
| 6   | 14M7303  | FLANGE NUT                 | 4   | M6         |   |
| 7   | 03M7190  | BOLT                       | 4   | M10 X 20   |   |
| 8   | 21M1690  | WING SCREW                 | 2   | M6 X 16    |   |
| 9   | PF10173  | COVER                      | 1   |            |   |
| 10  | H171004  | COVER                      | 1   |            | WHEN MASS-FLOW SENSOR IS NOT USED                     |
| 11  | AH165189 | WIRING HARNESS             | 1   |            |   |
| 12  | R78059   | ELECTRICAL PLUG            | 1   |            | (PKG. OF 40) (18 OR 20 GA. WIRE) (GREEN)              |
| 13  | R78057   | SOCKET CONTACT             | 1   |            | (PKG. OF 40) (18 OR 20 GA. WIRE) (NO. 19)             |
| 14  | R78055   | PIN CONTACT CONNECTOR BODY | 1   |            | (PKG. OF 2)   |
| 15  | R78064   | ELECTRICAL PLUG            | 1   |            | (PKG. OF 40)  |
| 16  | R78049   | SEAL                       | 1   |            | (PKG. OF 5)   |
| 17  | RE12364  | SOCKET CONT.CONNECTOR BODY | 1   |            | (PKG. OF 3)   |
| 18  | R78058   | PIN CONTACT                | 1   |            | (PKG. OR 40) (18 OR 20 GA. WIRE) (NO. 19)             |
| 19  | Z36140   | WASHER                     | 4   |            | 10.500 X 16 X 2 MM (0.413" X 0.630" X 0.079")         |
| 20  | 24H1313  | WASHER                     | 4   |            | 10.312 X 44.450 X 1.651 MM (13/32" X 1-3/4" X 0.065") |



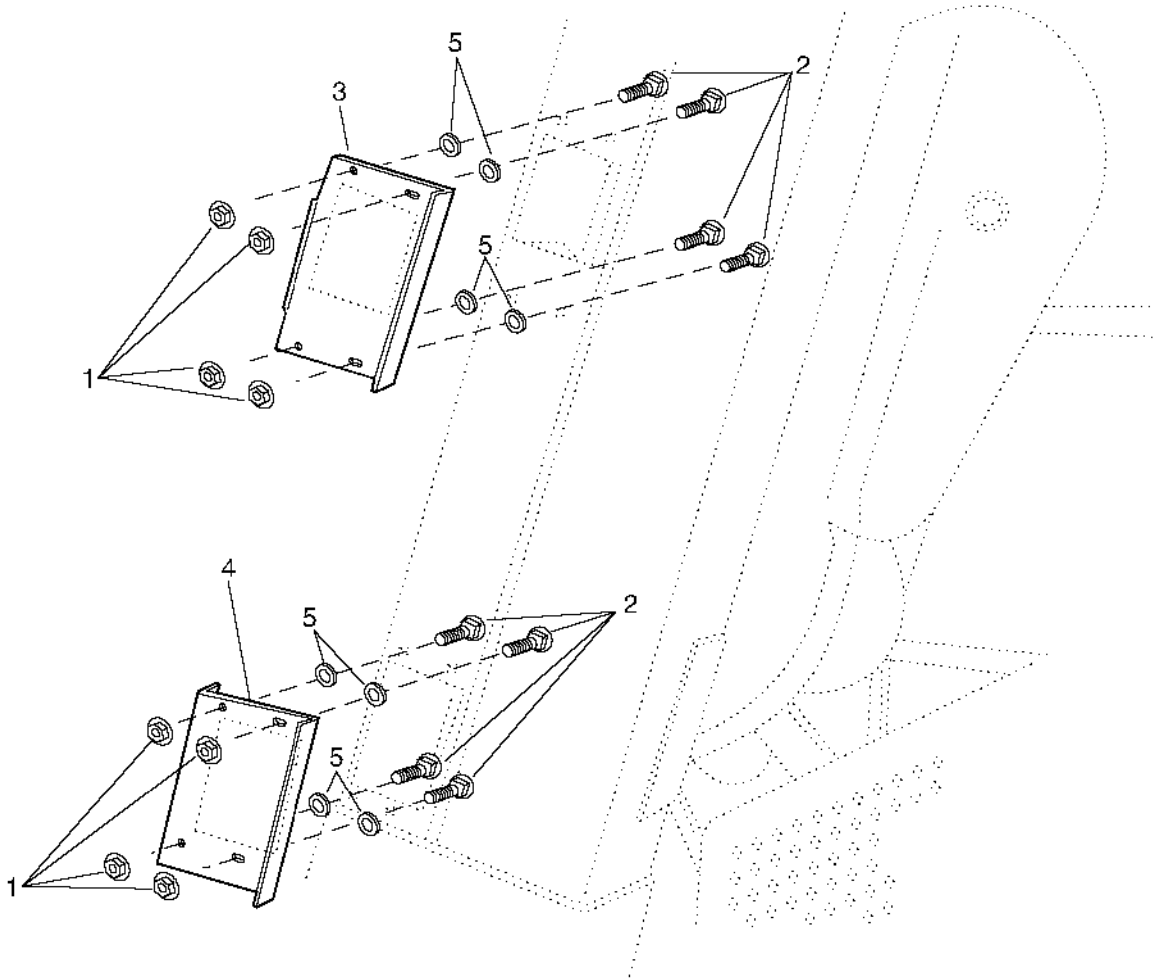
MOISTURE SENSOR  
PC6028 -UN-03SEP99



**MOISTURE SENSOR - CONTINUED**

| KEY | PART NO. | PART NAME                  | QTY | SERIAL NO. | REMARKS                                   |
|-----|----------|----------------------------|-----|------------|---|
| 1   | PF80152  | MOISTURE SENSOR MODULE     | 1   |            |   |
| 2   | PF80058  | MOTOR WIRING HARNESS       | 1   |            |   |
| 3   | PF10034  | COVER                      | 1   |            |   |
| 4   | PF80045  | PADDLE WHEEL ASSEMBLY      | 1   |            |   |
| 5   | AH128865 | MOTOR                      | 1   |            |   |
| 6   | PF10218  | BRACKET                    | 1   |            | MIDDLE                                    |
| 7   | PF80022  | BRACKET                    | 1   |            | TOP                                       |
| 8   | PF10106  | BRACKET                    | 1   |            | BOTTOM                                    |
| 9   | 19M7774  | SCREW                      | 2   |            | M6 X 12                                   |
| 10  | 14M7303  | FLANGE NUT                 | 8   |            | M6  |
| 11  | 03M7221  | BOLT                       | 8   |            | M6 X 16                                   |
| 12  | PF10349  | O-RING                     | 1   |            |   |
| 13  | R78063   | TERMINAL NIPPLE            | 1   |            | (PKG. OF 40) (16 GA. WIRE) (GRAY)         |
| 14  | R78060   | SOCKET CONTACT             | 1   |            | (PKG. OF 40) (14 OR 16 GA. WIRE) (NO. 15) |
| 15  | R78048   | TERMINAL NIPPLE            | 1   |            | (PKG. OF 5)                               |
| 16  | RE12363  | CONNECTOR                  | 1   |            | (PKG. OF 3)                               |
| 17  | PF10035  | COVER                      | 1   |            |   |
| 18  | 57M7262  | RECEPTACLE CONNECTOR BODY  | 1   |            |   |
| 19  | 57M7259  | ELECTRICAL PLUG            | 1   |            |   |
| 20  | R104846  | SOCKET CONTACT             | 1   |            | (PKG. OF 10) (16 GA WIRE)                 |
| 21  | 57M7281  | CONNECTOR                  | 1   |            |   |
| 22  | AH163684 | WIRING HARNESS             | 1   |            |   |
| 23  | 57M7261  | RECEPTACLE CONNECTOR BODY  | 1   |            |   |
| 24  | 57M7258  | ELECTRICAL PLUG            | 1   |            |   |
| 25  | 57M7296  | CONNECTOR                  | 1   |            |   |
| 26  | 57M7316  | CONNECTOR                  | 1   |            |   |
| 27  | R104919  | PIN CONTACT                | 1   |            |   |
| 28  | 57M7256  | PIN CONTACT CONNECTOR BODY | 1   |            |   |
| 29  | .....    | CONNECTOR                  | 1   |            | (ORDER AH163684)                          |

**MOISTURE SENSOR COVERS**  
**WHEN MOISTURE SENSOR IS NOT USED**  
PC6029 -UN-03SEP99



PC6029

**MOISTURE SENSOR COVERS  
WHEN MOISTURE SENSOR IS NOT USED**

| KEY | PART NO. | PART NAME  | QTY | SERIAL NO.<br>OR YEAR | REMARKS |
|-----|----------|------------|-----|-----------------------|---------|
| 1   | 14M7303  | FLANGE NUT | 8   | M6                    |         |
| 2   | 03M7221  | BOLT       | 8   | M6 X 16               |         |
| 3   | PF80173  | COVER      | 1   | UPPER                 |         |
| 4   | PF80174  | COVER      | 1   | LOWER                 |         |
| 5   | M80082   | NUT        | 8   | 6.350 MM (1/4")       |         |