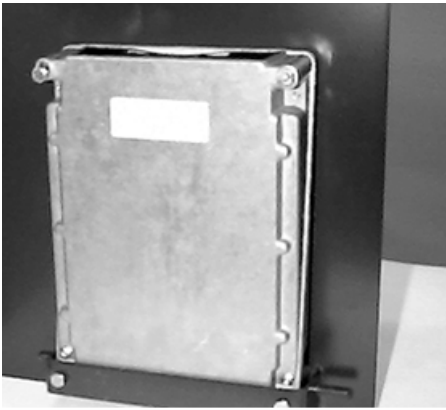


PC0001 -UN-26JUN97



**MAPPING PROCESSOR**



**DISPLAY**



**PC0001 MASS FLOW SENSOR**



**POSITION RECEIVER**



**MOISTURE SENSOR**

## GREENSTAR™ YIELD MAPPING AND MONITORING SYSTEM

(SPECIFICATIONS AND DESIGN SUBJECT TO CHANGE WITHOUT NOTICE)

## IMPORTANT

THIS PARTS CATALOG CONTAINS PARTS INFORMATION FOR THE GREENSTAR™ COMBINE YIELD MAPPING AND MONITORING SYSTEM. THIS SYSTEM IS USED ON 9400, 9500, 9600 AND CTS COMBINES, PRE-1991 AND POST 1990 AND 9410, 9510, 9610 AND CTS II.

VINTAGE IS DETERMINED BY THE SERIAL NUMBER OR THE PRODUCT IDENTIFICATION NUMBER (PIN). IT IS IMPORTANT THAT THE CORRECT NUMBERS BE USED WHEN ORDERING PARTS.

## PRODUCT INFORMATION NUMBER (PIN) PLATE

THE PRODUCT IDENTIFICATION NUMBER (PIN) PLATE IS LOCATED ON THE FRONT COVER OF THE MAPPING PROCESSOR.

### AN EXAMPLE OF THE TWO-LINES ON THIS PIN PLATE IS:

PC0123HXXXXXX  
COMBINE YIELD MAPPING

(FIRST LINE)

PC - MANUFACTURING UNIT (PRECISION FARMING)

0123 - MODEL IDENTIFIER

F - FACTORY CONFIGURATION CODE/MODEL IDENTIFIER SUFFIX

H - FIELD CONFIGURATION CODE/MODEL IDENTIFIER SUFFIX

640101 - SEQUENTIAL NUMBER USED IN SERIAL NO. COLUMN

(SECOND LINE)

COMBINE YIELD MAPPING - TYPE OF PRODUCT

## PARTS LISTING INFORMATION

SERIAL NUMBER OR PRODUCT IDENTIFICATION NUMBER (PIN) INFORMATION SHOWS ON WHICH EQUIPMENT PART MAY BE USED; FOR EXAMPLE:

- THE PART CAN BE USED ON ALL MACHINES.
- 000000 THE PART CAN BE USED ON ALL MACHINES UP TO AND INCLUDING THE SERIAL NUMBER LISTED.
- 000000- THE PART CAN BE USED ON ALL MACHINES BEGINNING WITH THE SERIAL NUMBER LISTED.
- 000000-000000 THE PART CAN BE USED ON ALL MACHINES BETWEEN AND INCLUDING SERIAL NUMBERS LISTED.

WHEN XXXXXX'S ARE LISTED IN PLACE OF A SERIAL NUMBER, A SERIAL NUMBER CHANGE WAS MADE, BUT THE EXACT SERIAL NUMBER IS NOT AVAILABLE WHEN THE CATALOG WAS PRINTED.

## DIRECTION ARROW

ARROWS ARE USED WITH ILLUSTRATIONS TO INDICATE THE FRONT OF THE UNIT. "RIGHT-HAND" AND "LEFT-HAND" SIDES ARE DETERMINED BY FACING IN THE DIRECTION OF MACHINE FORWARD TRAVEL.

*COPYRIGHT (C) 2000. DEERE & COMPANY. MOLINE, ILLINOIS. ALL RIGHTS RESERVED.*

## BOX-ENCLOSED ILLUSTRATIONS

A KEY NUMBER, SHOWN IN THE PARTS LIST, IS ASSIGNED TO A BOX ENCLOSING ALL PARTS SOLD AS A SERVICE ASSEMBLY. A BOX NOT KEYED INCLUDES NON-CURRENT PARTS.

## KITS

KIT INFORMATION WILL BE FOUND IMMEDIATELY FOLLOWING THE STORY IN WHICH IT IS USED. THE ILLUSTRATION IS REPEATED WITH ONLY THE KIT PARTS CALLED OUT AND WITH ALL OTHER PARTS SHOWN IN PHANTOM.

## JDM REMANUFACTURED COMPONENTS

THE SERVICE PARTS LISTED IN THIS CATALOG ARE INTENDED FOR THE REPAIR OF ORIGINAL EQUIPMENT COMPONENTS. ALTHOUGH MOST SERVICE PARTS MAY BE USED TO REPAIR REMANUFACTURED COMPONENTS, THE REMANUFACTURED DESIGN MAY CHANGE PARTS SUFFICIENTLY SO THAT SERVICE PARTS ARE INADEQUATE OR NOT USABLE.

## BOLT AND CAP SCREW STRENGTH IDENTIFICATION

BOLTS AND CAP SCREWS REQUIRED TO HAVE HIGH-STRENGTH QUALITIES EQUIVALENT TO SAE GRADE 8 ARE IDENTIFIED THROUGHOUT THIS CATALOG BY THE DESCRIPTION HS SAE 8. ALL STANDARD BOLTS AND CAP SCREWS ARE SAE GRADE 5 OR LOWER. BOLTS AND CAP SCREWS REQUIRED TO HAVE HIGH-STRENGTH QUALITIES EQUIVALENT TO PROPERTY CLASS 10.9 ARE IDENTIFIED THROUGHOUT THIS CATALOG BY THE DESCRIPTION HS 10.9. ALL STANDARD BOLTS AND CAP SCREWS ARE PROPERTY CLASS 8.8 OR LOWER.

## SI UNITS OF MEASURE

METRIC DIMENSIONS ARE GIVEN, WHERE APPLICABLE, THROUGHOUT THIS PARTS CATALOG.

## TRADEMARKS

THROUGHOUT THIS PARTS CATALOG, YOU WILL FIND THE FOLLOWING DEERE & COMPANY TRADEMARKS:

GREENSTAR™

## CHANGE INDICATOR LINE

CHANGES AFFECTING THE ORDERING OF PARTS ARE IDENTIFIED BY VERTICAL LINES MARKED IN THE LEFT-HAND MARGIN OF REVISED PARTS LISTING IMAGES. A LINE IS ALSO AT THE LEFT-HAND EDGE OF THE SAME PART NUMBER IN THE NUMERICAL INDEX TO SHOW THE LOCATION OF REVISED INFORMATION.

## FUNCTION CODE

(EXAMPLE - FC: 5000)

FUNCTION CODES ARE LOCATED ON EACH PAGE IN THE UPPER RIGHT-HAND CORNER IN THE BOX. THE CODE LISTED IS A GROUPING CODE THAT CAN BE USED FOR WARRANTIES AND FOR DTAC TO IDENTIFY CERTAIN AREAS.

## COMPLETE GOODS LISTINGS

COMPLETE GOODS ARE IN BOLD FACE TYPE. ORDER SEPARATELY. DO NOT INCLUDE ON REPLACEMENT PARTS ORDER.

SECTION INDEX

SECTION 10 - GENERAL INFORMATION

SECTION 20 - COMBINE YIELD MAPPING AND MONITORING

SECTION 180 - NUMERICAL INDEX

**Thanks very much for your reading,  
Want to get more information,  
Please click here, Then get the complete  
manual**

**JustClickHere** 

**NOTE:**

**If there is no response to click on the link above,  
please download the PDF document first, and then  
click on it.**

**Have any questions please write to me:  
[admin@servicemanualperfect.com](mailto:admin@servicemanualperfect.com)**

## ALPHABETICAL INDEX

GRID		PAGE	GRID		PAGE
A					
B5	ADAPTER, CAB WIRING HARNESS, MAPPING 9410, 9510, 9610, CTS II (680000- ) .....	20-20	B23	DATASTORE.....	20-38
B					
A21	BRACKET, CLEAN GRAIN ELEVATOR ADJUSTING YIELD MAPPING .....	20-12	B21	DATASTORE MODULE .....	20-36
A13	BRACKET, DISPLAY YIELD MAPPING (680001- ) .....	20-4	B23	DATASTORE MODULE .....	20-38
A17	BRACKET, MASS FLOW SENSOR YIELD MAPPING .....	20-8	B21	DATASTORE W/DISPLAY .....	20-36
A19	BRACKET, MOISTURE SENSOR YIELD MAPPING .....	20-10	B24	DECALS YIELD MAPPING .....	20-40
A11	BRACKET, POSITION RECEIVER YIELD MAPPING .....	20-2	C1	DECALS YIELD MONITOR .....	20-42
A15	BRACKET, PROCESSOR ( -680000) YIELD MAPPING .....	20-6	B24	DECALS, DISPLAY YIELD MAPPING .....	20-40
A17	BRACKET, TRANSDUCER MOUNTING YIELD MAPPING .....	20-8	C1	DECALS, DISPLAY YIELD MONITOR .....	20-42
C					
B1	CAB WIRING HARNESS - YIELD MAPPING 9400, 9500, 9600, CTS .....	20-16	B24	DECALS, MOISTURE SENSOR YIELD MAPPING .....	20-40
B3	CAB WIRING HARNESS - YIELD MAPPING 9410, 9510, 9610, CTS II ( -680000) .....	20-18	C1	DECALS, MOISTURE SENSOR YIELD MONITOR .....	20-42
B7	CAB WIRING HARNESS - YIELD MAPPING 9410, 9510, 9610, CTS II (680000- ) .....	20-22	B24	DECALS, PROCESSOR YIELD MAPPING .....	20-40
B5	CAB WIRING HARNESS ADAPTER - MAPPING 9410, 9510, 9610, CTS II (680000- ) .....	20-20	A17	DEFLECTOR DOOR, MASS FLOW SENSOR YIELD MAPPING .....	20-8
B7	CAB WIRING HARNESS, FIELD INSTALLED W/MOBILE PROCESSOR & DISPLAY (680000-) .....	20-22	A13	DISPLAY YIELD MAPPING (680001- ) .....	20-4
B23	CABLE, DATASTORE/COMPUTER.....	20-38	A13	DISPLAY BRACKET YIELD MAPPING (680001- ) .....	20-4
A21	CHAIN ADJUSTING PARTS, CLEAN GRAIN ELEVATOR - YIELD MAPPING .....	20-12	C1	DISPLAY DECALS YIELD MONITOR .....	20-42
A23	CHASSIS WIRING HARNESS YIELD MAPPING .....	20-14	B21	DISPLAY W/DATASTORE .....	20-36
A21	CLEAN GRAIN ELEVATOR ADJUSTING BRACKET YIELD MAPPING .....	20-12	A17	DOOR, MASS FLOW SENSOR DEFLECTOR YIELD MAPPING .....	20-8
A21	CLEAN GRAIN ELEVATOR BEARING COVER YIELD MAPPING .....	20-12	E		
A21	CLEAN GRAIN ELEVATOR CHAIN ADJUSTING PARTS - YIELD MAPPING .....	20-12	A21	ELEVATOR CHAIN ADJUSTING PARTS, CLEAN GRAIN - YIELD MAPPING .....	20-12
B5	CONVERSION, CAB WIRING HARNESS, MAPPING 9410, 9510, 9610, CTS II (680000- ) .....	20-20	B9	EXTENSION HARNESS, MOISTURE SENSOR YIELD MAPPING-9140, 9510, 9610, CTS II.....	20-24
A21	COVER, CLEAN GRAIN ELEVATOR BEARING YIELD MAPPING .....	20-12	F		
A19	COVER, MOISTURE SENSOR YIELD MAPPING .....	20-10	B7	FIELD INSTALLED CAB WIRING HARNESS W/MOBILE PROCESSOR & DISPLAY (680000-) .....	20-22
A11	COVER, POSITION RECEIVER YIELD MAPPING .....	20-2	A17	FLOW SENSOR, MASS YIELD MAPPING .....	20-8
A15	COVER, PROCESSOR ( -680000) YIELD MAPPING .....	20-6	H		
B15	COVERS, MASS-FLOW SENSOR - YIELD MAPPING WHEN MASS-FLOW SENSOR IS NOT USED .....	20-30	B1	HARNESS, CAB WIRING - YIELD MAPPING 9400, 9500, 9600, CTS .....	20-16
B17	COVERS, MOISTURE SENSOR ( -675000) YIELD MAPPING .....	20-32	B3	HARNESS, CAB WIRING - YIELD MAPPING 9410, 9510, 9610, CTS II ( -680000) .....	20-18
B19	COVERS, MOISTURE SENSOR (675001- ) YIELD MAPPING .....	20-34	B7	HARNESS, CAB WIRING - YIELD MAPPING 9410, 9510, 9610, CTS II (680000- ) .....	20-22
B17	COVERS, WHEN MOISTURE SENSOR IS NOT USED ( -675000) YIELD MAPPING .....	20-32	B5	HARNESS, CAB WIRING ADAPTER - MAPPING 9410, 9510, 9610, CTS II (680000- ) .....	20-20
B19	COVERS, WHEN MOISTURE SENSOR IS NOT USED (675001- ) YIELD MAPPING .....	20-34	A23	HARNESS, CHASSIS WIRING YIELD MAPPING .....	20-14
			B21	HARNESS, DATASTORE.....	20-36
			B7	HARNESS, FIELD INSTALLED CAB WIRING W/MOBILE PROCESSOR & DISPLAY (680000-) .....	20-22
			B9	HARNESS, MOISTURE SENSOR EXTENSION YIELD MAPPING-9410, 9510, 9610, CTS II.....	20-24

## ALPHABETICAL INDEX - CONTINUED

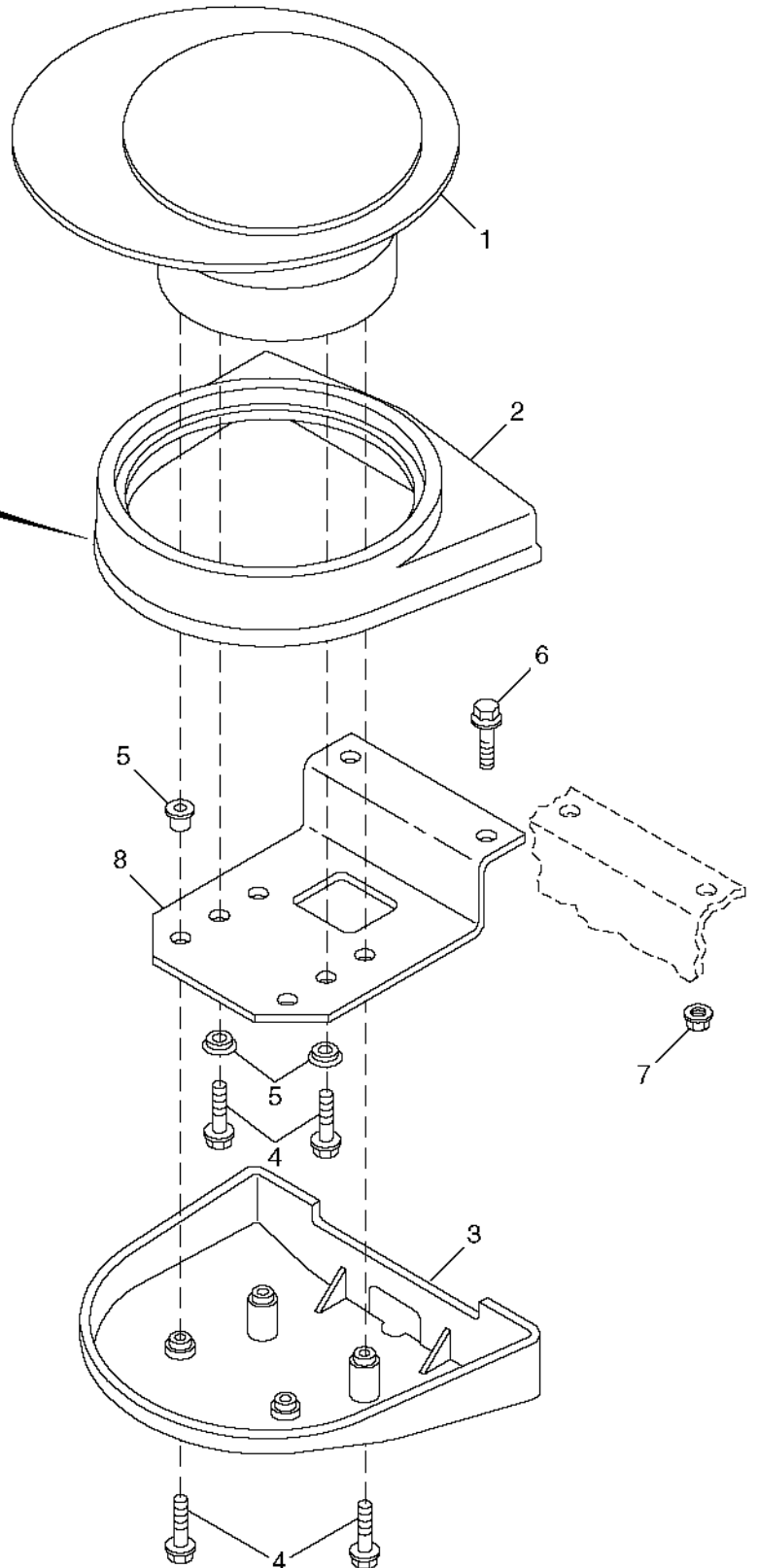
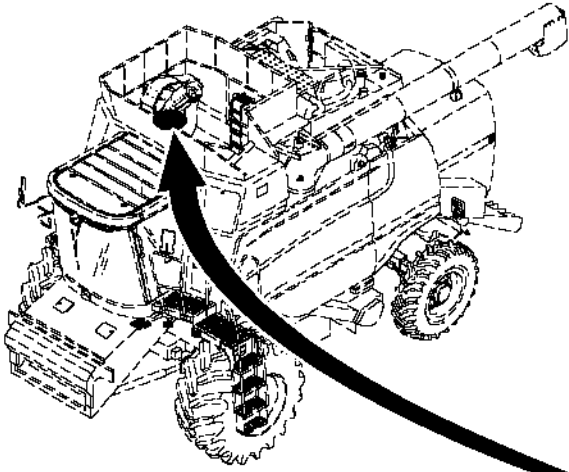
GRID		PAGE	GRID		PAGE
A19	HARNESS, MOISTURE SENSOR MOTOR YIELD MAPPING .....	20 - 10	A15	PROCESSOR COVER ( -680000) YIELD MAPPING .....	20 - 6
	M		A15	PROCESSOR COVER SPRING ( -680000) YIELD MAPPING .....	20 - 6
A13	MAPPING PROCESSOR YIELD MAPPING (680001- ) .....	20 - 4	A13	PROCESSOR, MAPPING YIELD MAPPING (680001- ) .....	20 - 4
A15	MAPPING PROCESSOR ( -680000) YIELD MAPPING .....	20 - 6	A15	PROCESSOR, MAPPING ( -680000) YIELD MAPPING .....	20 - 6
A17	MASS FLOW SENSOR YIELD MAPPING .....	20 - 8	A13	PROCESSOR, MOBILE YIELD MAPPING (680001- ) .....	20 - 4
A17	MASS FLOW SENSOR BRACKET YIELD MAPPING .....	20 - 8		R	
A17	MASS FLOW SENSOR DOOR YIELD MAPPING .....	20 - 8	A11	RECEIVER, POSITION YIELD MAPPING .....	20 - 2
B13	MASS FLOW SENSOR TEMPLATES YIELD MAPPING .....	20 - 28		S	
B15	MASS-FLOW SENSOR COVERS - YIELD MAPPING WHEN MASS-FLOW SENSOR IS NOT USED .....	20 - 30	A17	SENSOR, MASS FLOW YIELD MAPPING .....	20 - 8
A13	MOBILE PROCESSOR YIELD MAPPING (680001- ) .....	20 - 4	A19	SENSOR, MOISTURE YIELD MAPPING .....	20 - 10
B21	MODULE, DATASTORE.....	20 - 36	A15	SPRING, PROCESSOR COVER ( -680000) YIELD MAPPING .....	20 - 6
B23	MODULE, DATASTORE.....	20 - 38		T	
B13	MOISTURE METER TEMPLATE YIELD MAPPING .....	20 - 28	B13	TEMPLATES YIELD MAPPING .....	20 - 28
A19	MOISTURE SENSOR YIELD MAPPING .....	20 - 10	B13	TEMPLATES, MASS FLOW SENSOR YIELD MAPPING .....	20 - 28
A19	MOISTURE SENSOR BRACKET YIELD MAPPING .....	20 - 10	B13	TEMPLATES, MOISTURE SENSOR YIELD MAPPING .....	20 - 28
A19	MOISTURE SENSOR COVER YIELD MAPPING .....	20 - 10	A17	TRANSDUCER YIELD MAPPING .....	20 - 8
B17	MOISTURE SENSOR COVERS ( -675000) YIELD MAPPING .....	20 - 32	A17	TRANSDUCER MOUNTING BRACKET YIELD MAPPING .....	20 - 8
B19	MOISTURE SENSOR COVERS (675001- ) YIELD MAPPING .....	20 - 34	B23	TRANSFORMER, DATASTORE .....	20 - 38
B17	MOISTURE SENSOR COVERS - YIELD MAPPING ( -675000) W/O MOISTURE SENSOR .....	20 - 32		W	
B19	MOISTURE SENSOR COVERS - YIELD MAPPING (675001- ) W/O MOISTURE SENSOR .....	20 - 34	B1	WIRING HARNESS, CAB - YIELD MAPPING 9400, 9500, 9600, CTS .....	20 - 16
C1	MOISTURE SENSOR DECALS YIELD MONITOR .....	20 - 42	B3	WIRING HARNESS, CAB - YIELD MAPPING 9410, 9510, 9610, CTS II ( -680000) .....	20 - 18
B9	MOISTURE SENSOR EXTENSION HARNESS YIELD MAPPING-9410, 9510, 9610, CTS II.....	20 - 24	B7	WIRING HARNESS, CAB - YIELD MAPPING 9410, 9510, 9610, CTS II (680000- ) .....	20 - 22
A19	MOISTURE SENSOR MOTOR YIELD MAPPING .....	20 - 10	B5	WIRING HARNESS, CAB ADAPTER - MAPPING 9410, 9510, 9610, CTS II (680000- ) .....	20 - 20
A19	MOISTURE SENSOR MOTOR HARNESS YIELD MAPPING .....	20 - 10	A23	WIRING HARNESS, CHASSIS YIELD MAPPING .....	20 - 14
B13	MOISTURE SENSOR TEMPLATES YIELD MAPPING .....	20 - 28		P	
A19	MOTOR, MOISTURE SENSOR YIELD MAPPING .....	20 - 10	A19	PADDLE, MOISTURE SENSOR YIELD MAPPING .....	20 - 10
	P		A11	POSITION RECEIVER YIELD MAPPING .....	20 - 2
A19	PADDLE, MOISTURE SENSOR YIELD MAPPING .....	20 - 10	A11	POSITION RECEIVER BRACKET YIELD MAPPING .....	20 - 2
A11	POSITION RECEIVER YIELD MAPPING .....	20 - 2	A11	POSITION RECEIVER COVER YIELD MAPPING .....	20 - 2
A11	POSITION RECEIVER BRACKET YIELD MAPPING .....	20 - 2	A15	PROCESSOR BRACKET ( -680000) YIELD MAPPING .....	20 - 6
A11	POSITION RECEIVER COVER YIELD MAPPING .....	20 - 2		MAPPING	
A15	PROCESSOR BRACKET ( -680000) YIELD MAPPING .....	20 - 6		MAPPING	

MEMORANDA



# A11

POSITION RECEIVER  
HP9732 -UN-28APR00



HP9732

# A12

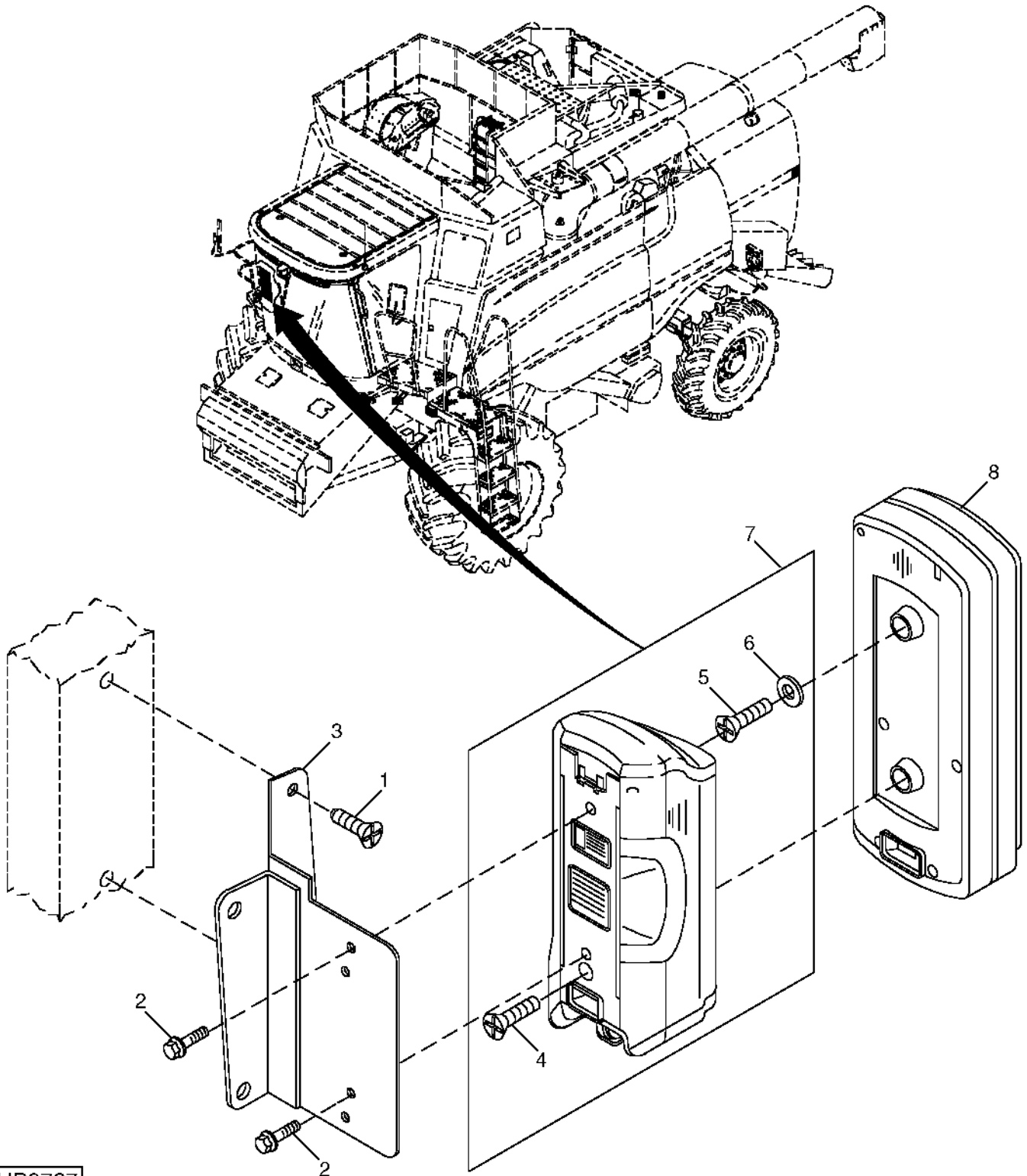
**POSITION RECEIVER - CONTINUED**

KEY	PART NO.	PART NAME	QTY	SERIAL NO.	REMARKS
1	PF80314	POSITION RECEIVER	1		(SUB FOR PF80015)
2	PF10134	COVER	1		
3	PF10135	COVER	1		
4	21M7267	SCREW	6		(A) M6 X 20
5	PF10240	WASHER	6		(A) NYLON SPACERS
6	19M7865	SCREW	2		(A) M8 X 16
7	14M7298	FLANGE NUT	2		(A) M8
8	PF10123	BRACKET	1		
..	PF80016	KIT	1		INCLUDES PARTS MARKED (A)

# A13

GREENSTAR™ COMBINE YIELD MAPPING AND MONITORING

GREENSTAR™ DISPLAY AND MOBILE PROCESSOR  
HP9737 -UN-28APR00



HP9737

# A14

GREENSTAR™ COMBINE YIELD MAPPING AND MONITORING

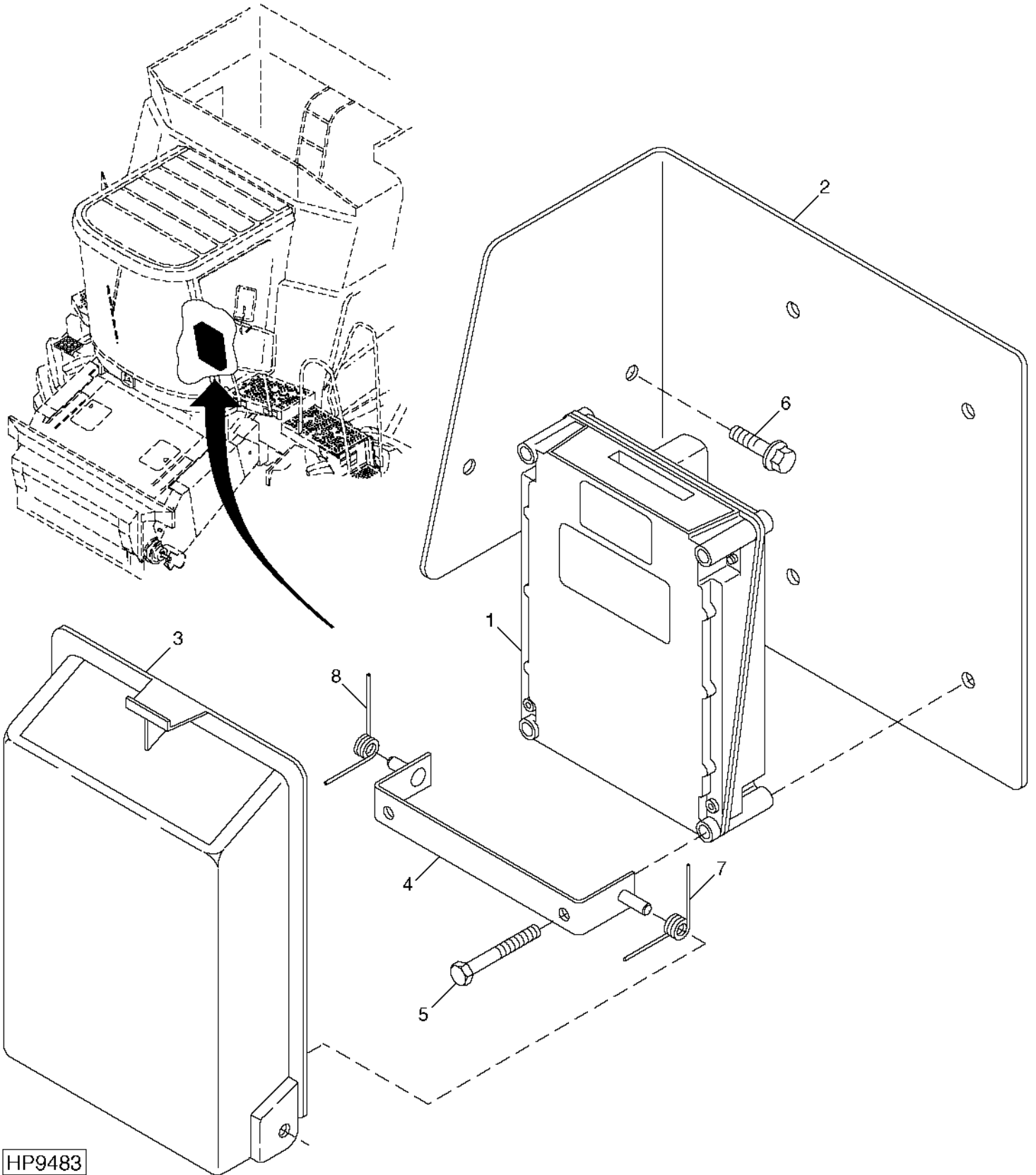
## GREENSTAR™ DISPLAY AND MOBILE PROCESSOR - CONTINUED

KEY	PART NO.	PART NAME	QTY	SERIAL NO.	REMARKS
1	H168424	SCREW	2		
2	19M7774	SCREW	2	(A) M6 X 12	
3	PF10607	BRACKET	1	(A)	
4	21M7327	SCREW	1	M6 X 35	
5	21M7305	SCREW	1	M6 X 12	
6	24M7100	WASHER	1	6.600 X 22 X 2 MM	
7	PF80316	MOBILE PROCESSOR MODULE	1	(SUB FOR PF80156)	
8	PF80370	GREENSTAR DISPLAY MODULE	1	(SUB FOR PF80079, PF80117, PF80162 OR PF80150)	
..	PF80014	GREENSTAR DISPLAY ATT. KIT	1	INCLUDES PARTS MARKED (A)	

# A15

GREENSTAR™ COMBINE YIELD MAPPING AND MONITORING

MAPPING PROCESSOR  
(-680000)  
HP9483 -UN-26JAN00



HP9483

# A16

GREENSTAR™ COMBINE YIELD MAPPING AND MONITORING

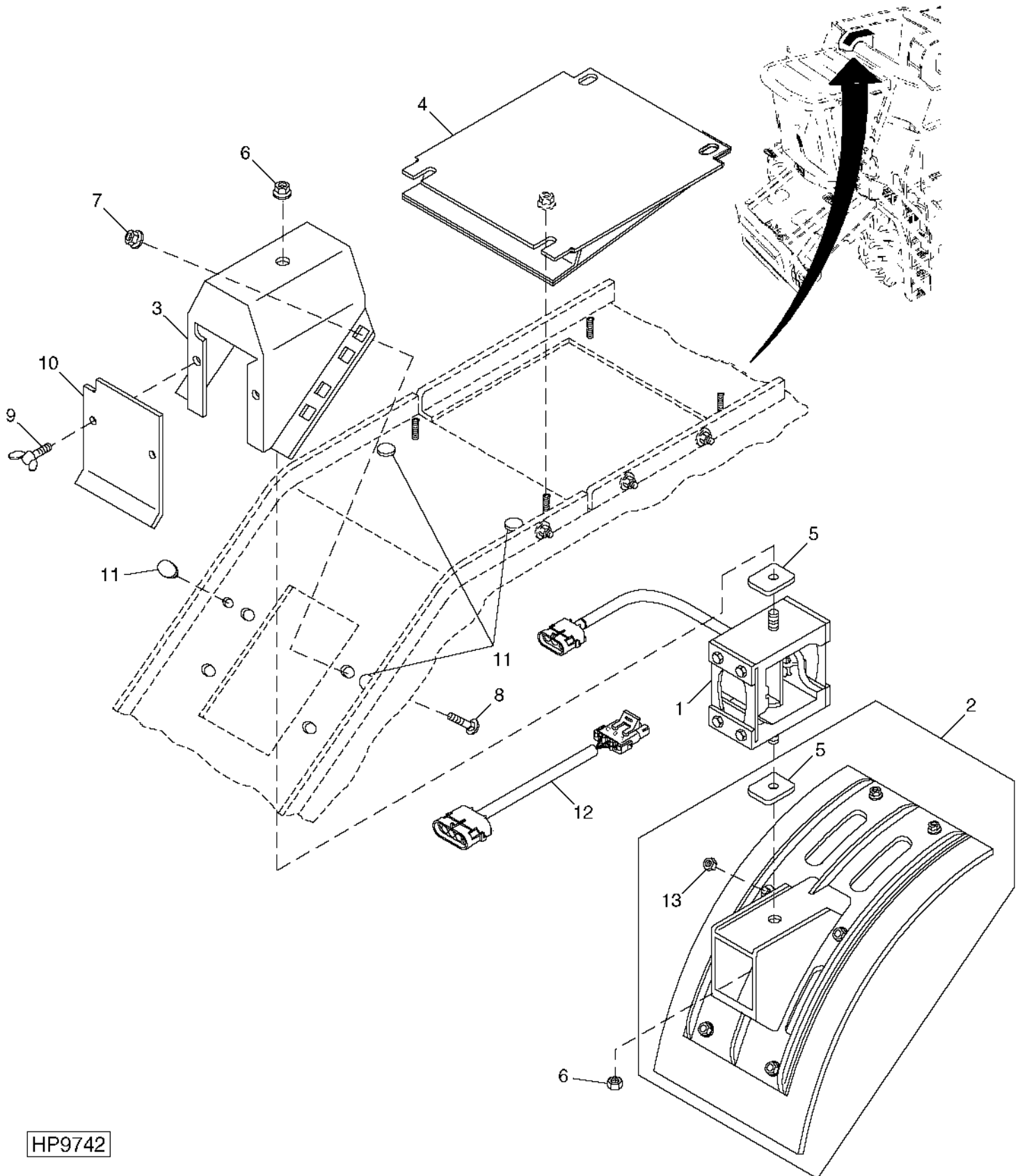
**MAPPING PROCESSOR - CONTINUED**  
( -680000)

KEY	PART NO.	PART NAME	QTY	SERIAL NO.	REMARKS
1	PF80077	MOBILE PROCESSOR MODULE	1		
2	PF80088	BRACKET	1		
3	PF80078	COVER	1		
4	PF80026	BRACKET	1	(A)	
5	19M7721	CAP SCREW	4	(A) M6 X 65	
6	37M7058	SCREW	2	(A) M8 X 20	
7	PF10138	SPRING	1	(A) R.H.	
8	PF10140	SPRING	1	(A) L.H.	
..	PF80006	MAPPING PROCESSOR ATT. KIT	1		INCLUDES PARTS MARKED (A)

# A17

GREENSTAR™ COMBINE YIELD MAPPING AND MONITORING

**MASS FLOW SENSOR**  
HP9742 -UN-05MAY00



HP9742

# A18

## GREENSTAR™ COMBINE YIELD MAPPING AND MONITORING

### MASS FLOW SENSOR - CONTINUED

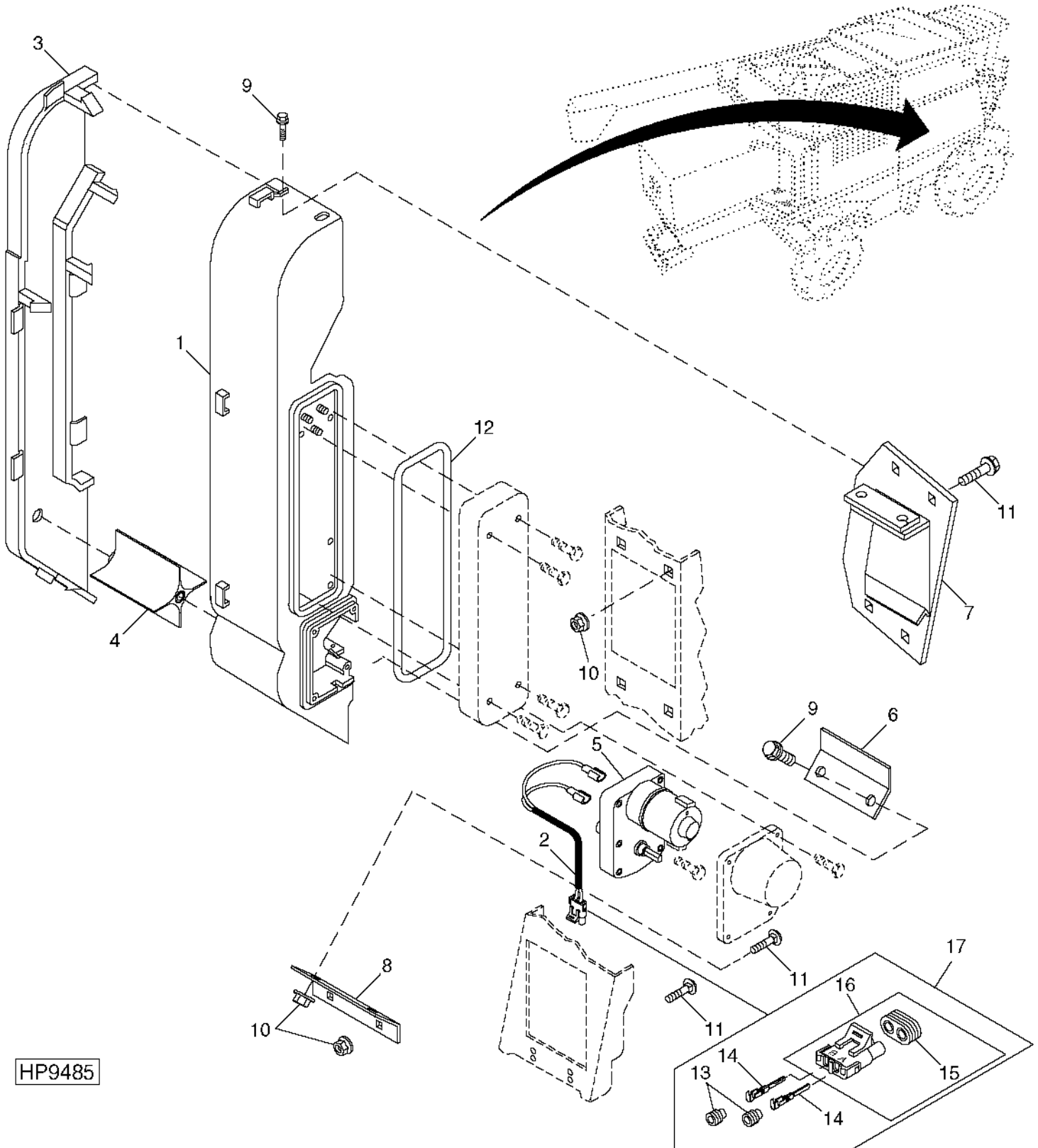
KEY	PART NO.	PART NAME	QTY	SERIAL NO.	REMARKS
1	AH163359	SENSOR	1		(SUB FOR PF80000)
2	PF80032	BRACKET	1	-640000	9600
	AH165607	BRACKET	1	640001-	9600 AND 9610
	PF80033	BRACKET	1	-640000	9400, 9500, AND CTS
	AH166855	BRACKET	1	640001-	9400, 9500, CTS, 9410, 9510, AND CTSII
3	AH165608	BRACKET	1		(SUB FOR PF80024)
4	PF80107	DOOR	1	-640000	(SUB FOR PF80020) 9400, 9500, CTS
	PF80105	DEFLECTOR	1	640001-	(SUB FOR PF80021) 9400, 9500, CTS, 9410, 9510 AND CTS II
	PF80106	DOOR	1	-640000	(SUB FOR PF80019) 9600
	PF80104	DEFLECTOR	1	640001-	(SUB FOR PF80001) 9600 AND 9610 COMBINES
5	H172113	SPACER	2		
6	14M7396	LOCK NUT	2		(A) M8
7	14M7296	FLANGE NUT	4		(A) M10
8	03M7190	BOLT	4		(A) M10 X 20
9	21M1690	WING SCREW	2		(A) M6 X 16
10	PF10078	COVER	1		(A)
11	PF10355	PLUG	4		(A)
12	AH167654	WIRING HARNESS	1		
13	14M7303	FLANGE NUT	6		M6
..	PF80002	MASS FLOW SENSOR ATT. KIT	1		INCLUDES PARTS MARKED (A)



# A19

GREENSTAR™ COMBINE YIELD MAPPING AND MONITORING

MOISTURE SENSOR  
HP9485 -UN-03FEB00



HP9485

# A20

## GREENSTAR™ COMBINE YIELD MAPPING AND MONITORING

### MOISTURE SENSOR - CONTINUED

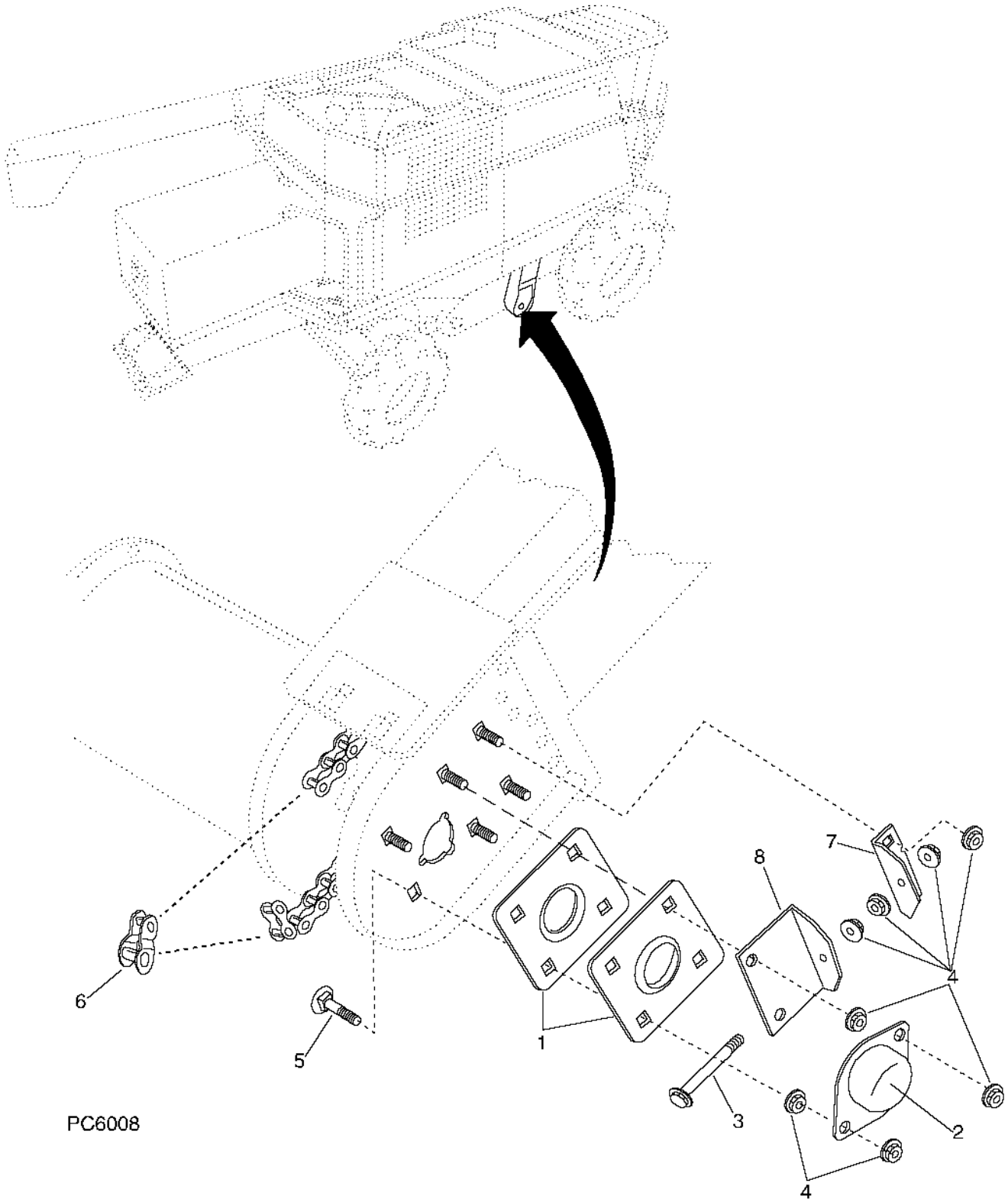
KEY	PART NO.	PART NAME	QTY	SERIAL NO.	REMARKS
1	PF80003	MOISTURE SENSOR MODULE	1		
2	PF80058	MOTOR WIRING HARNESS	1		
3	PF10034	COVER	1		
4	PF80045	PADDLE WHEEL ASSEMBLY	1		
5	AH128865	MOTOR	1		
6	.....	BRACKET	1		(A) MIDDLE
7	PF80110	BRACKET	1		(A) TOP
8	.....	BRACKET	1		(A) BOTTOM
9	19M7774	SCREW	4		(A) M6 X 12
10	14M7303	FLANGE NUT	8		(A) M6
11	03M7221	BOLT	8		(A) M6 X 16
12	PF10349	O-RING	1		
13	R78063	TERMINAL NIPPLE	1		(PKG. OF 40) (16 GA. WIRE) (GRAY)
14	R78060	SOCKET CONTACT	1		(PKG. OF 40) (14 OR 16 GA. WIRE) (NO. 15)
15	R78048	TERMINAL NIPPLE	1		(PKG. OF 5)
16	RE12363	CONNECTOR	1		(PKG. OF 3)
17	RE12331	CONNECTOR	1	-1996	(SUB RE12363, (2) R78060 AND (2) R78063)
..	PF80004	MOISTURE SENSOR ATTACH. KIT	1		INCLUDES PARTS MARKED (A)

# A21

GREENSTAR™ COMBINE YIELD MAPPING AND MONITORING

## CLEAN GRAIN ELEVATOR CHAIN ADJUSTING

PC6008 -UN-29JAN98



PC6008

# A22

CLEAN GRAIN ELEVATOR CHAIN ADJUSTING - CONTINUED

KEY	PART NO.	PART NAME	QTY	SERIAL NO.	REMARKS
1	H152916	PRESSED FLANGED HOUSING	2	(A)	
2	H155968	COVER	1		
3	19M8241	CAP SCREW	1	(A) M10 X 100	
4	14M7296	FLANGE NUT	9	(A) M10	
5	03M7193	BOLT	6	(A) M10 X 35	
6	AH137631	CHAIN LINK	1	(A)	
	H84026	HOOK	2	(A) 'S' PIN FOR COUPLER LINK	
7	PF10108	BRACKET	1	(A) CHAIN ADJUSTMENT, UPPER	
8	H152914	BRACKET	1	(A) CHAIN ADJUSTMENT, LOWER	
..	PF80028	ELEVATOR ATTACHMENT KIT	1	INCLUDES PARTS MARKED (A)	