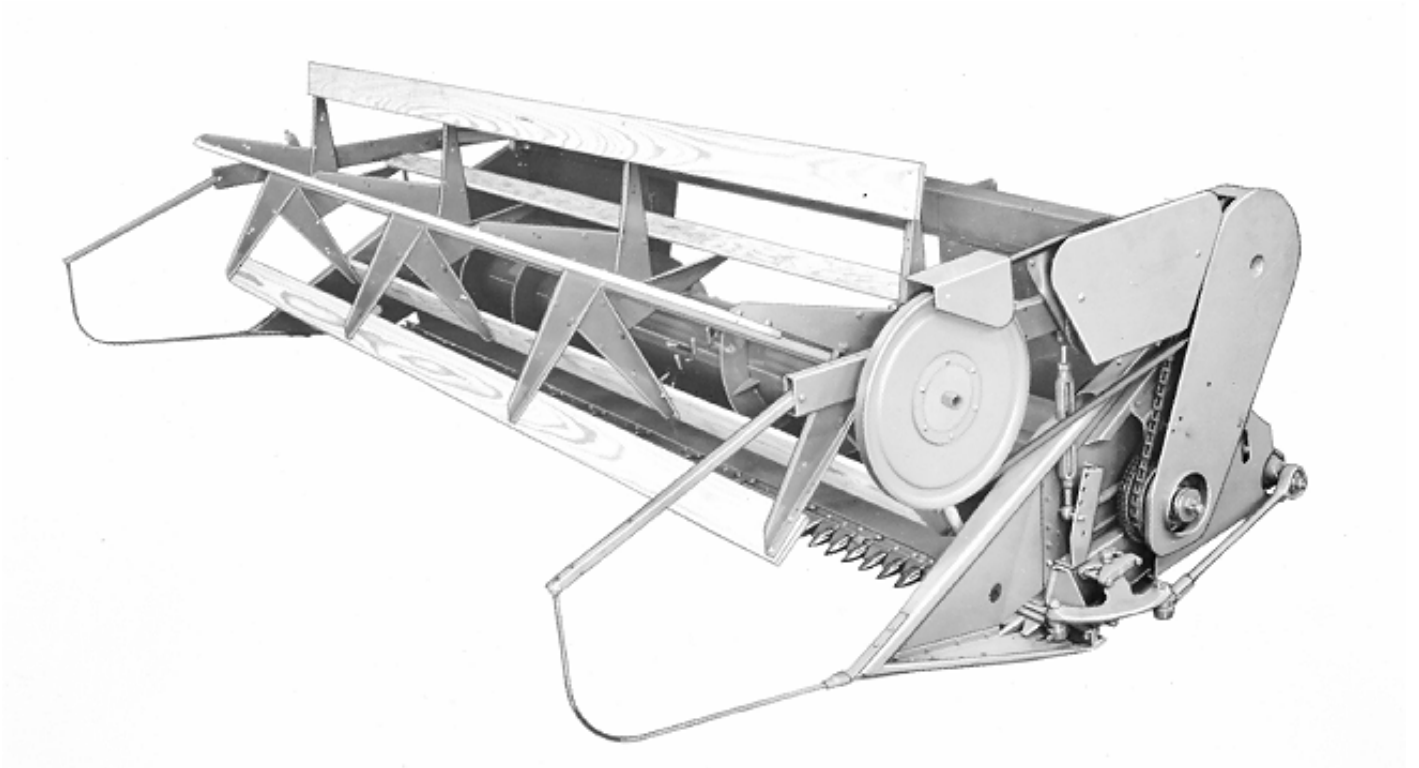


HP1456

-UN-01JAN94



*JOHN DEERE CUTTING PLATFORM*

*(SPECIFICATIONS AND DESIGN SUBJECT TO CHANGE WITHOUT NOTICE)*

**DATE OF MANUFACTURE**

1970 - 1975

**Thanks very much for your reading,  
Want to get more information,  
Please click here, Then get the complete  
manual**

**JustClickHere** 

**NOTE:**

**If there is no response to click on the link above,  
please download the PDF document first, and then  
click on it.**

**Have any questions please write to me:  
[admin@servicemanualperfect.com](mailto:admin@servicemanualperfect.com)**

## NOTE

THE PARTS INFORMATION IN THIS PARTS CATALOG COVERS JOHN DEERE QUIK-TATCH PLATFORMS USED ON THE FOLLOWING JOHN DEERE SELF-PROPELLED COMBINES.

FOR COMBINE PARTS INFORMATION, REFER TO THE APPROPRIATE JOHN DEERE COMBINE PARTS CATALOG LISTED BELOW.

MODEL NO.	PARTS CATALOG NO.
45 (EQUIPPED WITH FEEDER HOUSE FOR QUIK-TATCH PLATFORMS) . . . . .	PC-652
55 (EQUIPPED WITH FEEDER HOUSE FOR QUIK-TATCH PLATFORMS) . . . . .	PC-653
95 (EQUIPPED WITH FEEDER HOUSE FOR QUIK-TATCH PLATFORMS) . . . . .	PC-656
105 (EQUIPPED WITH FEEDER HOUSE FOR QUIK-TATCH PLATFORMS) . . . . .	PC-746
3300 . . . . .	PC-1163
4400 . . . . .	PC-1164
6600 . . . . .	PC-1166
7700 . . . . .	PC-1167
FEEDER HOUSES FOR QUIK-TATCH CORN HEADS AND PLATFORMS . . . . .	PC-1195
THREE-ROLLER BELT PICKUPS . . . . .	PC-1189

## IMPORTANT

THIS PARTS CATALOG CONTAINS COMPLETE PARTS INFORMATION ON THE QUIK-TATCH CUTTING PLATFORM. VINTAGE IS DETERMINED BY SERIAL NUMBERS UNDER WHICH CUTTING PLATFORMS WERE MANUFACTURED. IT IS IMPORTANT THAT THE CORRECT SERIAL NUMBER BE USED WHEN ORDERING PARTS.

*COPYRIGHT (C) 2000. DEERE & COMPANY. MOLINE, ILLNOIS  
ALL RIGHTS RESERVED*

## SERIAL NUMBERS

WHEN WRITING ABOUT OR FILLING OUT WARRANTY CLAIMS, USE ALL NUMBERS, LETTERS AND SPACES SHOWN ON THE SERIAL NUMBER PLATE.

### SERIAL NUMBER PLATE

15DP000501

15DP - DESIGNATES PLATFORM SERIAL NUMBER PREFIX  
000501 - DESIGNATES PLATFORM SERIAL NUMBER

THE JOHN DEERE QUIK-TATCH PLATFORM SERIAL NUMBER PLATE IS LOCATED ON THE OUTSIDE OF THE RIGHT-HAND PLATFORM END SHEET.

## SERIAL NUMBER LISTING INFORMATION

SERIAL NUMBER INFORMATION IS LISTED TO SHOW ON WHICH MACHINES EACH PART CAN BE USED; FOR EXAMPLE:

- THE PART CAN BE USED ON ALL MACHINES.
- 000000- THE PART CAN BE USED ON ALL MACHINES BEGINNING WITH THE SERIAL NUMBER LISTED.
- 000000 THE PART CAN BE USED ON ALL MACHINES UP TO AND INCLUDING THE SERIAL NUMBER LISTED.
- 000000-000000 THE PART CAN BE USED ON ALL MACHINES BETWEEN AND INCLUDING THE SERIAL NUMBERS LISTED.

WHEN XXXXXX'S ARE LISTED IN PLACE OF A SERIAL NUMBER, A SERIAL NUMBER CHANGE WAS MADE BUT THE EXACT SERIAL NUMBER WAS NOT AVAILABLE WHEN THE CATALOG WAS PRODUCED.

## JDM REMANUFACTURED COMPONENTS

THE SERVICE PARTS LISTED IN THIS CATALOG ARE INTENDED FOR THE REPAIR OF ORIGINAL EQUIPMENT COMPONENTS. ALTHOUGH MOST SERVICE PARTS MAY BE USED TO REPAIR REMANUFACTURED COMPONENTS, THE REMANUFACTURED DESIGN MAY CHANGE PARTS SUFFICIENTLY SO THAT SERVICE PARTS ARE INADEQUATE OR NOT USABLE.

## BOLT AND CAP SCREW STRENGTH IDENTIFICATION

BOLTS AND CAP SCREWS REQUIRED TO HAVE HIGH-STRENGTH QUALITIES EQUIVALENT TO SAE GRADE 8 ARE IDENTIFIED THROUGHOUT THIS CATALOG BY THE DESCRIPTION HS SAE 8. ALL STANDARD BOLTS AND CAP SCREWS ARE SAE GRADE 5 OR LOWER.

## COMPLETE GOODS LISTINGS

COMPLETE GOODS ARE LISTED IN BOLD FACE TYPE. ORDER SEPARATELY. DO NOT INCLUDE ON REPLACEMENT PARTS ORDER.

## SI UNITS OF MEASURE

METRIC DIMENSIONS ARE GIVEN, WHERE APPLICABLE, THROUGHOUT THIS PARTS CATALOG.

## TRADEMARKS

THROUGHOUT THIS PARTS CATALOG, YOU WILL FIND THE FOLLOWING DEERE & COMPANY TRADEMARKS:

QUIK-TATCH™

## CHANGE INDICATOR LINE (MICROFICHE CATALOGS ONLY)

CHANGES AFFECTING THE ORDERING OF PARTS ARE IDENTIFIED BY VERTICAL LINES MARKED IN THE LEFT-HAND MARGIN OF REVISED PARTS LISTING IMAGES. A LINE IS ALSO AT THE LEFT-HAND EDGE OF THE SAME PART NUMBER IN THE NUMERICAL INDEX TO SHOW THE LOCATION OF REVISED INFORMATION.

## SECTIONAL INDEX

	SECTION
GENERAL INFORMATION . . . . .	05
REEL . . . . .	10
FRAME, SHEETS, PLATES, DIVIDERS, GUARDS, KNIVES, PITMAN, COUPLER, DRIVE SHAFTS AND SHIELDS . . . . .	15
DRAPERS, ROLLS, SUPPORTS AND SHIELDS . . . . .	20
HYDRAULICS . . . . .	25
IDLERS AND TIGHTENERS . . . . .	30
BELTS, CHAINS, SHEAVES AND SPROCKETS . . . . .	35
NUMERICAL INDEX . . . . .	40

**MEMORANDA**

## ALPHABETICAL INDEX

GRID		PAGE	GRID		PAGE
A			D4	DRAPER PARTS .....	20-3
B5	ARM, PICKUP REEL .....	10-4	D5	DRAPER PARTS .....	20-4
B8	ARM, PICKUP REEL .....	10-7	D5	DRAPERS.....	20-4
B13	ARM, PICKUP REEL .....	10-12	E4	DRIVE CHAINS AND SHEAVES ON R.H. SIDE .....	35-3
B15	ARM, PICKUP REEL .....	10-14	D3	DRIVE ROLLS, DRAPER .....	20-2
B16	ARM, REEL SUPPORT .....	10-15	C21	DRIVE SHAFT, HEADER (SH) .....	15-25
B17	ARM, REEL SUPPORT .....	10-16	C22	DRIVE SHAFT,HEADER-SH-CONVEYOR TYPE .....	15-26
B18	ARM, REEL SUPPORT .....	10-17	D21	DRIVE TIGHT'R, LOWER REEL AND BELT PKUP. ....	30-1
B3	ARM, SLAT REEL .....	10-2	D21	DRIVE TIGHTENERS .....	30-1
C12	AUGER .....	15-16	D22	DRIVE TIGHTENERS .....	30-2
C15	AUGER .....	15-19	D23	DRIVE TIGHTENERS .....	30-3
D24	AUGER AND KNIFE DR. TIGHTENER AND SHIELD ...	30-4	D24	DRIVE TIGHTENERS .....	30-4
C16	AUGER AND KNIFE DRIVE SHAFT.....	15-20	E2	DRIVES.....	35-1
C18	AUGER AND KNIFE DRIVE SHAFT.....	15-22	E3	DRIVES.....	35-2
D24	AUGER AND KNIFE DRIVE SHIELD .....	30-4	E4	DRIVES.....	35-3
D23	AUGER DRIVE SHIELD .....	30-3	E		
D23	AUGER DRIVE TIGHTENER AND SHIELD .....	30-3	C4	END SHEET .....	15-8
D24	AUGER DRIVE TIGHTENER AND SHIELD .....	30-4	C5	END SHEET .....	15-9
C14	AUGER FLIGHT EXTENSIONS .....	15-18	C6	END SHEET .....	15-10
C14	AUGER SPRK'T, SLIP CLUTCH AND BRG. HSG. ....	15-18	C7	END SHEET .....	15-11
B			C3	EXTENSION DIVIDERS.....	15-7
B24	BALLAST PLATES .....	15-3	C14	EXTENSIONS, FLIGHT .....	15-18
B5	BAT .....	10-4	F		
B7	BAT .....	10-6	C21	FEEDER HOUSE, PADDLE TYPE .....	15-25
B8	BAT .....	10-7	C12	FINGERS, AUGER.....	15-16
B5	BATSHAFT, PICKUP REEL.....	10-4	B5	FINGERS, PICKUP REEL .....	10-4
B7	BATSHAFT, PICKUP REEL.....	10-6	B8	FINGERS, PICKUP REEL .....	10-7
B8	BATSHAFT, PICKUP REEL.....	10-7	B13	FINGERS, PICKUP REEL .....	10-12
B22	BEAM, TOP .....	15-1	B14	FINGERS, PICKUP REEL .....	10-13
B23	BEAM, TOP .....	15-2	B15	FINGERS, PICKUP REEL .....	10-14
D21	BELT PICKUP AND REEL .....	30-1	B22	FRAME .....	15-1
B19	BELT PICKUP DRIVE SHEAVE AND SPROCKETS .....	10-18	B23	FRAME .....	15-2
D21	BELT PICKUP LOWER DRIVE SHIELD.....	30-1	G		
D21	BELT PICKUP LOWER DRIVE TIGHTENER.....	30-1	C10	GUARD AND KNIFE REPAIR BLOCK .....	15-14
D21	BELT PICKUP SHIELD AND DRIVE TIGHTENER .....	30-1	C8	GUARDS.....	15-12
E2	BELTS AND CHAINS ON LEFT-HAND SIDE .....	35-1	C10	GUARDS.....	15-14
C14	BRG. HSG., AUGER SPRK'T, AND SLIP CLUTCH .....	15-18	H		
C			C8	HEAD, KNIFE .....	15-12
B9	CENTERSHAFT, PICKUP REEL.....	10-8	C21	HEADER DRIVE SHAFT (SH).....	15-25
B12	CENTERSHAFT, PICKUP REEL.....	10-11	C22	HEADER DRIVE SHAFT-SH-CONVEYOR TYPE.....	15-26
E2	CHAINS AND BELTS ON LEFT-HAND SIDE .....	35-1	D16	HYD. MOTOR, HYDROSTATIC DRIVE REEL .....	25-11
C22	CONVEYOR TYPE.....	15-26	D17	HYD. MOTOR, HYDROSTATIC DRIVE REEL .....	25-12
C23	COUPLER, QUIK-TATCH .....	15-27	D8	HYDRAULIC CYLS., LIFT REEL MASTER .....	25-2
C17	COUPLER, SHIELD FOR RIGHT-HAND .....	15-21	D7	HYDRAULIC CYLS., LIFT REEL SLAVE .....	25-1
C8	CUTTERBAR (SEE GUARDS AND KNIVES).....	15-12	D7	HYDRAULIC LIFT REEL PARTS .....	25-1
D8	CYLINDERS, HYDRAULIC, LIFT REEL MASTER .....	25-2	D8	HYDRAULIC LIFT REEL PARTS .....	25-2
D7	CYLINDERS, HYDRAULIC, LIFT REEL SLAVE.....	25-1	D9	HYDRAULIC LIFT REEL PARTS .....	25-3
D			D10	HYDRAULIC LIFT REEL PARTS .....	25-4
C3	DIVIDER EXTENSIONS.....	15-7	D11	HYDROSTATIC DR. REEL MOTOR SUPT. SHIELD.....	25-5
C4	DIVIDERS .....	15-8	D14	HYDROSTATIC DR. REEL MOTOR SUPT. SHIELD.....	25-8
C5	DIVIDERS .....	15-9	D11	HYDROSTATIC DR. REEL MTR. SUPPORT SHIELD ..	25-5
C6	DIVIDERS .....	15-10	D14	HYDROSTATIC DR. REEL MTR. SUPPORT SHIELD ..	25-8
C7	DIVIDERS .....	15-11	D16	HYDROSTATIC DRIVE REEL HYD. MOTOR .....	25-11
D24	DRAPER DRIVE SHIELD .....	30-4	D17	HYDROSTATIC DRIVE REEL HYD. MOTOR .....	25-12
D24	DRAPER DRIVE TIGHTENER AND SHIELD .....	30-4	D15	HYDROSTATIC DRIVE REEL MOTOR SHIELD .....	25-9
D2	DRAPER PARTS .....	20-1			
D3	DRAPER PARTS .....	20-2			



## ALPHABETICAL INDEX - CONTINUED

<i>GRID</i>		<i>PAGE</i>	<i>GRID</i>		<i>PAGE</i>
D15	HYDROSTATIC DRIVE REEL MOTOR SPROCKET .....	25 - 9	B8	PICKUP REEL .....	10 - 7
D15	HYDROSTATIC DRIVE REEL MOTOR SUPPORT .....	25 - 9	B9	PICKUP REEL .....	10 - 8
D18	HYDROSTATIC DRIVE REEL OIL LINES .....	25 - 13	B11	PICKUP REEL .....	10 - 10
D19	HYDROSTATIC DRIVE REEL OIL LINES .....	25 - 14	B12	PICKUP REEL .....	10 - 11
D11	HYDROSTATIC DRIVE REEL PARTS .....	25 - 5	B13	PICKUP REEL .....	10 - 12
D12	HYDROSTATIC DRIVE REEL PARTS .....	25 - 6	B14	PICKUP REEL .....	10 - 13
D13	HYDROSTATIC DRIVE REEL PARTS .....	25 - 7	B15	PICKUP REEL .....	10 - 14
D14	HYDROSTATIC DRIVE REEL PARTS .....	25 - 8	B9	PICKUP REEL CENTERSHAFT .....	10 - 8
D16	HYDROSTATIC DRIVE REEL PARTS .....	25 - 11	B12	PICKUP REEL CENTERSHAFT .....	10 - 11
D17	HYDROSTATIC DRIVE REEL PARTS .....	25 - 12	B5	PICKUP REEL, ARM .....	10 - 4
D18	HYDROSTATIC DRIVE REEL PARTS .....	25 - 13	B8	PICKUP REEL, ARM .....	10 - 7
D19	HYDROSTATIC DRIVE REEL PARTS .....	25 - 14	B13	PICKUP REEL, ARM .....	10 - 12
			B15	PICKUP REEL, ARM .....	10 - 14
	I		C11	PITMAN, KNIFE DRIVE .....	15 - 15
D2	IDLER ROLLS AND SUPPORTS, DRAPER.....	20 - 1	B24	PLATES, BALLAST .....	15 - 3
			C2	PROTECTIVE WEAR PLATES .....	15 - 6
	J				
B22	J-ANGLES .....	15 - 1		Q	
B23	J-ANGLES .....	15 - 2	C23	QUIK-TATCH COUPLER .....	15 - 27
	K			R	
C16	KNIFE AND AUGER DRIVE SHAFT.....	15 - 20	B19	REEL DRIVE SHEAVE AND SPROCKETS .....	10 - 18
C18	KNIFE AND AUGER DRIVE SHAFT.....	15 - 22	B3	REEL DRIVE SHIELD .....	10 - 2
C20	KNIFE AND AUGER DRIVE SHAFT (SH) .....	15 - 24	B9	REEL DRIVE SHIELD .....	10 - 8
D24	KNIFE AND AUGER DRIVE TIGHTENER AND SHIELD.....	30 - 4	B11	REEL DRIVE SHIELD .....	10 - 10
C10	KNIFE AND GUARD REPAIR BLOCK .....	15 - 14	B12	REEL DRIVE SHIELD .....	10 - 11
C11	KNIFE DRIVE PITMAN .....	15 - 15	B3	REEL END SHIELD .....	10 - 2
C8	KNIVES AND GUARDS .....	15 - 12	B3	REEL SLAT .....	10 - 2
			B16	REEL SUPPORT ARMS .....	10 - 15
			B17	REEL SUPPORT ARMS .....	10 - 16
			B18	REEL SUPPORT ARMS .....	10 - 17
			D22	REEL UPPER DRIVE TIGHTENER .....	30 - 2
			D21	REEL, LOWER DRIVE TIGHTENER AND SHIELD.....	30 - 1
			B15	REEL, PICKUP.....	10 - 14
			B3	REEL, SHAFT .....	10 - 2
			B2	RODS, TRUSS, REEL .....	10 - 1
C10	LIFTING GUARDS .....	15 - 14	B11	RODS, TRUSS, REEL .....	10 - 10
D9	LINES, OIL, HYDRAULIC LIFT REEL.....	25 - 3	D2	ROLLERS, DRAPERS .....	20 - 1
D10	LINES, OIL, HYDRAULIC LIFT REEL.....	25 - 4	D3	ROLLERS, DRAPERS .....	20 - 2
D18	LINES, OIL, HYDROSTATIC DRIVE REEL .....	25 - 13			
D19	LINES, OIL, HYDROSTATIC DRIVE REEL .....	25 - 14		S	
D21	LOWER REEL SHIELD AND DRIVE TIGHTENER .....	30 - 1	C8	SECTIONS, KNIFE.....	15 - 12
			B9	SHAFT, DRIVE, PICKUP REEL .....	10 - 8
			B11	SHAFT, DRIVE, PICKUP REEL .....	10 - 10
			B12	SHAFT, DRIVE, PICKUP REEL .....	10 - 11
			C20	SHAFT, KNIFE AND AUGER DRIVE (SH).....	15 - 24
			B3	SHAFT, SLAT REEL .....	10 - 2
			C22	SHAFT,HEADER DRIVE-SH-CONVEYOR TYPE .....	15 - 26
			B19	SHEAVE AND SPROCKETS, BELT PICKUP.....	10 - 18
			B19	SHEAVE AND SPROCKETS, REEL DRIVE.....	10 - 18
			E3	SHEAVES ON LEFT-HAND SIDE.....	35 - 2
			C4	SHEET, END .....	15 - 8
			C5	SHEET, END .....	15 - 9
			C6	SHEET, END .....	15 - 10
			C7	SHEET, END .....	15 - 11
			B25	SHEET, REAR AND BOTTOM .....	15 - 4
			C1	SHEET, REAR AND BOTTOM .....	15 - 5
			C17	SHIELD FOR RIGHT-HAND COUPLER .....	15 - 21
			D24	SHIELD, AUGER AND KNIFE DRIVE .....	30 - 4
			D23	SHIELD, AUGER DRIVE .....	30 - 3
			D21	SHIELD, BELT PICKUP LOWER DRIVE .....	30 - 1
C21	PADDLE TYPE FEEDER HOUSE.....	15 - 25			
B5	PICKUP REEL .....	10 - 4			
B7	PICKUP REEL .....	10 - 6			

## ALPHABETICAL INDEX - CONTINUED

GRID		PAGE	GRID	PAGE
D24	SHIELD, DRAPER DRIVE .....	30 - 4		
D11	SHIELD, HYDROSTATIC DR. REEL MTR. SUPT'S .....	25 - 5		
D14	SHIELD, HYDROSTATIC DR. REEL MTR. SUPT'S .....	25 - 8		
D15	SHIELD, HYDROSTATIC DRIVE REEL MOTOR.....	25 - 9		
D21	SHIELD, LOWER REEL AND BELT PICKUP .....	30 - 1		
B3	SHIELD, REEL DRIVE.....	10 - 2		
B9	SHIELD, REEL DRIVE.....	10 - 8		
B11	SHIELD, REEL DRIVE.....	10 - 10		
B12	SHIELD, REEL DRIVE.....	10 - 11		
D4	SHIELDS AND SUPPORTS, DRAPER.....	20 - 3		
C22	SIDEHILL-HEADER DRIVE SHAFT-CONV.TYPE .....	15 - 26		
B22	SILL, MAIN .....	15 - 1		
B23	SILL, MAIN .....	15 - 2		
C4	SKID, PLATE .....	15 - 8		
C5	SKID, PLATE .....	15 - 9		
B2	SLAT REEL TRUSS RODS.....	10 - 1		
D5	SLAT, DRAPER .....	20 - 4		
B3	SLAT, REEL .....	10 - 2		
D7	SLAVE CYLINDER, HYDRAULIC LIFT REEL .....	25 - 1		
C14	SLIP CLUTCH, AUGER SPRK'T, AND BRG. HSG. ....	15 - 18		
D11	SPRKT'S HYDROSTATIC DR. REEL MTR. SUPT'S.....	25 - 5		
D14	SPRKT'S HYDROSTATIC DR. REEL MTR. SUPT'S.....	25 - 8		
D15	SPROCKET, HYDROSTATIC DRIVE REEL MOTOR ....	25 - 9		
E3	SPROCKETS AND TIGHTENERS ON L.H. SIDE .....	35 - 2		
E4	SPROCKETS AND TIGHTENERS ON R.H. SIDE .....	35 - 3		
B25	STRIPPER .....	15 - 4		
C1	STRIPPER .....	15 - 5		
B16	SUPPORT ARMS, REEL.....	10 - 15		
B17	SUPPORT ARMS, REEL.....	10 - 16		
B18	SUPPORT ARMS, REEL.....	10 - 17		
D15	SUPPORT, HYDROSTATIC DRIVE REEL MOTOR .....	25 - 9		
B22	SUPPORT, J-ANGLES.....	15 - 1		
B23	SUPPORT, J-ANGLES.....	15 - 2		
D2	SUPPORTS AND IDLER ROLLS, DRAPER.....	20 - 1		
D4	SUPPORTS AND SHIELDS, DRAPER.....	20 - 3		
T				
D21	TIGHTENER, BELT PICKUP LOWER DRIVE .....	30 - 1		
E3	TIGHTENERS AND SPROCKETS ON L.H. SIDE .....	35 - 2		
E4	TIGHTENERS AND SPROCKETS ON R.H. SIDE .....	35 - 3		
E4	TIGHTENERS ON R.H. SIDE .....	35 - 3		
B2	TRUSS ROD, REEL.....	10 - 1		
B11	TRUSS ROD, REEL.....	10 - 10		
W				
C2	WEAR PLATES, PROTECTIVE.....	15 - 6		

---

MEMORANDA

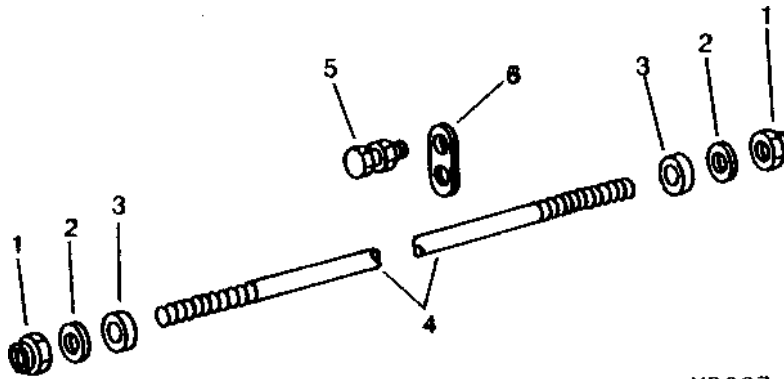
# B2

REEL

## SLAT REEL TRUSS RODS (USED WITH 20-, 22-, AND 24-FOOT PLATFORMS)

HP937

-UN-01JAN94



HP937

KEY	PART NO.	PART NAME	QTY	SERIAL NO.	REMARKS
1	BP12233	LOCK NUT	10		
2	24H1311	WASHER	10		13/32" X 1-1/4" X 0.220"
3	H28031	WASHER	10		
4	H79255	STUD	5		(20' PLATFORM)
	H79257	STUD	5		(22' PLATFORM)
	H79252	STUD	5		(24' PLATFORM)
5	19H1813	CAP SCREW	AR		5/16" X 5/8"
	14H785	NUT	AR		5/16"
6	H28030	STRAP	AR		(20', 5 USED; 22' AND 24', 10 USED)

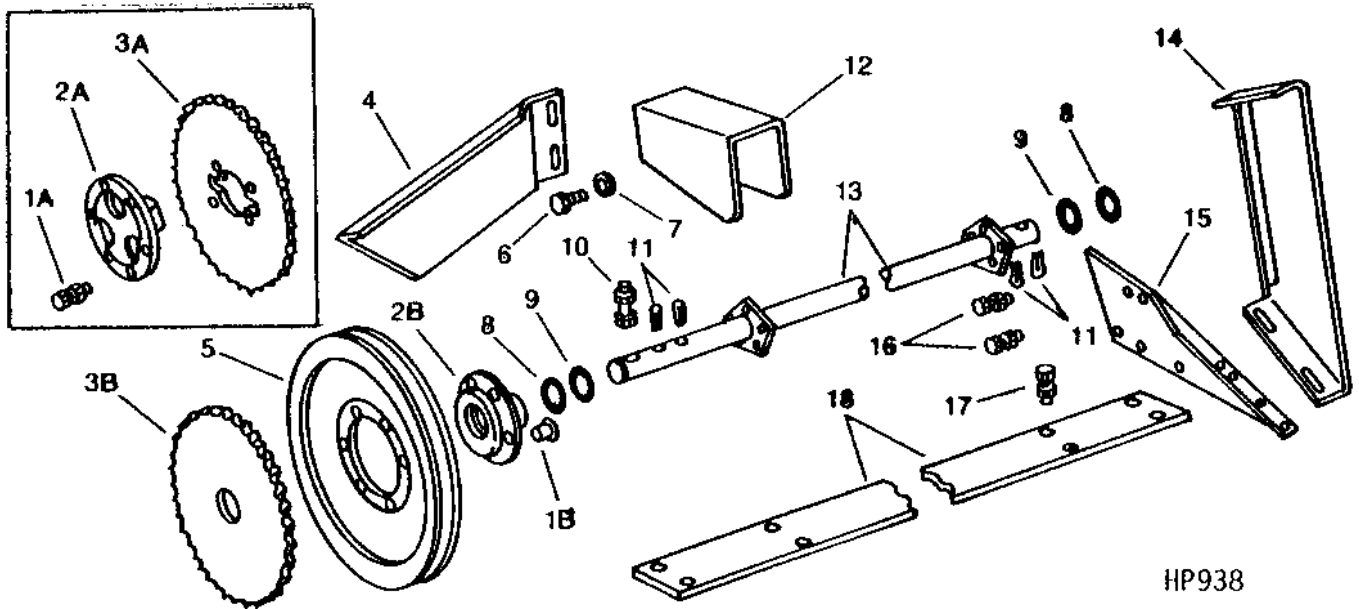
# B3

REEL

HP938

-UN-01JAN94

## SLAT REEL



HP938

KEY	PART NO.	PART NAME	QTY	SERIAL NO.	REMARKS
1A	10H1027	BOLT	4	-20000	3/8" X 1-1/4", (HYDROSTATIC DRIVE REEL)
	14H812	NUT	4	-20000	3/8"
	19H1905	CAP SCREW	6	-20000	5/16" X 1", (BELT DRIVE REEL)
1B	14H785	NUT	6	-20000	5/16"
	16H1101	RIVET	6	20001-	5/16" X 7/8", (BELT DRIVE REEL)
2A	H11440	HUB	1	-20000	(BELT DRIVE REEL)
	H76702	HUB	1	-20000	(HYDROSTATIC DRIVE REEL)
2B	AH83869	HUB	1	20001-	(BELT DRIVE REEL)
3A	H79543	CHAIN SPROCKET	1	-20000	81 TEETH (HYDROSTATIC DRIVE REEL)
3B	AH83871	CHAIN SPROCKET	1	20001-	81 TEETH (HYDROSTATIC DRIVE REEL)
4	H79545	SHIELD	5		REEL END, R.H.
5	AP15561	SHEAVE	1		508 MM (20") DIA. (BELT DRIVE REEL)
6	19H1813	CAP SCREW	2		5/16" X 5/8"
7	24H1136	WASHER	1		11/32" X 11/16" X 0.065"
8	P33729	WASHER	4		
9	24H1669	WASHER	4		1-25/64" X 2-1/8" X 0.075"
10	19H2106	CAP SCREW	1	-20000	7/16" X 2-3/4", (HYDROSTATIC DRIVE REEL)
	14H813	NUT	4	-20000	7/16"
	19H2227	CAP SCREW	1	-20000	7/16" X 2-1/2", (BELT DRIVE REEL)
	14H813	NUT	1	-20000	7/16"
	14H849	NUT	1	-20000	7/16"
11	19H3242	SCREW	2	20001-	7/16" X 2-3/4"
	14H813	NUT	4	20001-	7/16"
11	11H222	COTTER PIN	4		3/16" X 2"
12	H60710	SHIELD	1	-20000	(SUB H83838)
	H83838	SHIELD	1		
13	AH77185	SHAFT	1		(10' PLATFORM) (NO LONGER AVAILABLE)
	AH75951	SHAFT	1		(13' PLATFORM)
	AH77188	SHAFT	1		(14' PLATFORM) (NO LONGER AVAILABLE)
	AH77184	SHAFT	1		(15' PLATFORM) (NO LONGER AVAILABLE)
	AH77189	SHAFT	1		(16' PLATFORM) (NO LONGER AVAILABLE)
	AH77190	SHAFT	1		(18' PLATFORM) (NO LONGER AVAILABLE)
	AH77186	SHAFT	1		(20' PLATFORM)
	AH77187	SHAFT	1		(22' PLATFORM)
	AH77183	SHAFT	1		(24' PLATFORM) (NO LONGER AVAILABLE)
	14	H79544	SHIELD	5	
15	H76944	ARM	AR		(10' PLATFORM, 15 USED; 13', 14', AND 15' PLATFORM, 20 USED; 16', 18', AND 20' PLATFORM, 25 USED; 22' AND 24' PLATFORM, 30 USED)

# B4

REEL

## SLAT REEL-CONTINUED

KEY	PART NO.	PART NAME	QTY	SERIAL NO.	REMARKS
16	19H1936	CAP SCREW	AR		3/8" X 3/4"
	14H812	NUT	AR		3/8"
17	03H1527	BOLT	AR	-183900	1/4" X 1-1/4", (USED WITH WOODEN SLATS)
	21H1024	SCREW	AR		1/4" X 5/8", (USED WITH METAL SLATS)
	14H786	NUT	AR		1/4"
18	H25385	SLAT	5	-183900	(10' PLATFORM)(WOOD) (NO LONGER AVAILABLE)
	H24049	SLAT	5	-183900	(13' PLATFORM)(WOOD)
	H22818	SLAT	5		(14' PLATFORM)(WOOD)
	H62942	SLAT	5	-183900	(15' PLATFORM)(WOOD) (NO LONGER AVAILABLE)
	H22819	SLAT	5	-183900	(16' PLATFORM)(WOOD)
	H22820	SLAT	5	-183900	(18' PLATFORM)(WOOD)
	H28027	SLAT	5	-183900	(20' PLATFORM)(WOOD)
	H104020	SLAT	5		(13' PLATFORM)(METAL) (SUB FOR H95226)
	E60573	SLAT	5		(15' PLATFORM)(METAL) (SUB FOR H95227)
	E60574	SLAT	5		(16' PLATFORM)(METAL) (SUB FOR H79258)
	H79259	SLAT	5	-183900	(18' PLATFORM)(METAL) (SUB E60575)
	E60575	SLAT	5		
	H79260	SLAT	5		(SUB E60576) (20' PLATFORM)(METAL)
	H79261	SLAT	5		(22' PLATFORM)(METAL)
	H79262	SLAT	5	-183900	(24' PLATFORM)(METAL) (SUB H104022)
	H104022	SLAT	1		

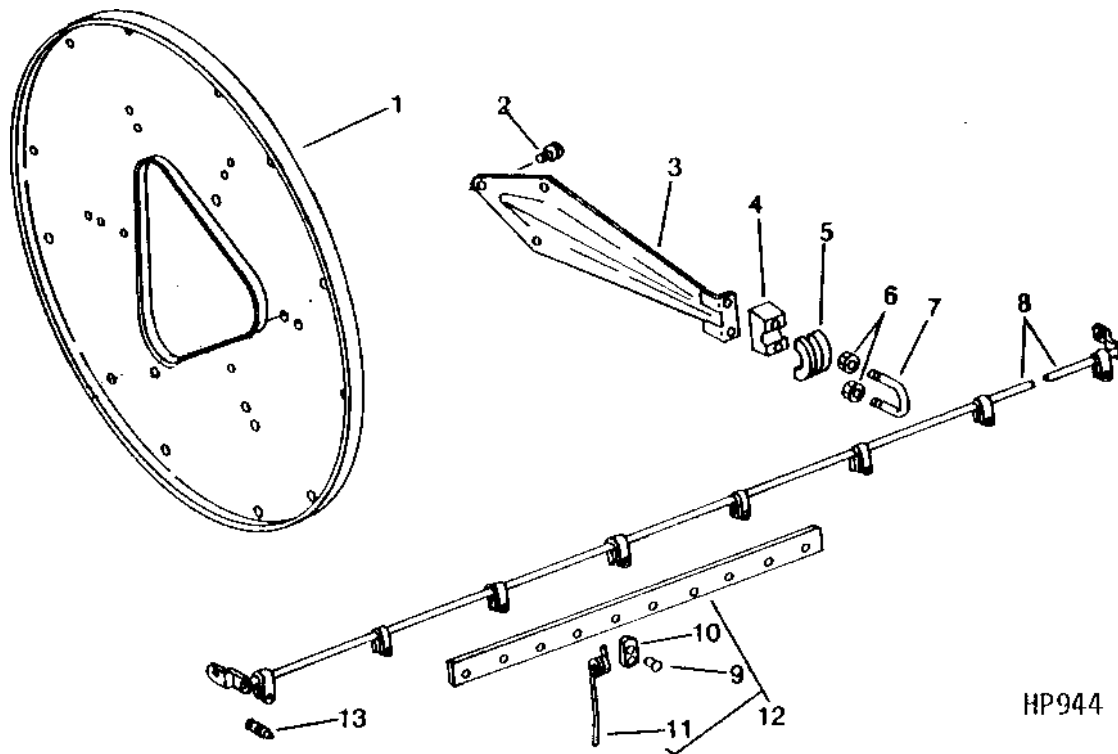
# B5

REEL

HP944

-UN-01JAN94

## PICKUP REEL (CUTTING PLATFORM)



HP944

KEY	PART NO.	PART NAME	QTY	SERIAL NO.	REMARKS
1	H64719	DISK	AR	-20000	(10', 3 USED; 13', 14', 15', 16', 18', 20', AND 22', 4 USED) (SUB H84031)
	H84031	PLATE	AR		(10', 3 USED; 13', 14', 15', 16', 18', AND 20', 4 USED)
	H84031	PLATE	4	-167900	22' PLATFORM
	H88454	PLATE	4	-183900	22' PLATFORM, (SUB H98689)
	H98689	PLATE	4		
	H82719	PLATE	4	-20000	24' PLATFORM, (SUB H84029)
	H84029	PLATE	4	-167900	24' PLATFORM, (NO LONGER AVAILABLE)
	H88780	PLATE	4	167901-	24' PLATFORM
2	19H2020	CAP SCREW	AR		5/16" X 1/2"
	14H785	NUT	AR		5/16"
3	AE24410	ARM	AR		(10', 18 USED; 13', 14', 15', 16', 18', 20', AND 22', 24 USED)
	AH81252	ARM	16		24' PLATFORM
4	E40206	BASE	AR		(10', 18 USED, 13', 14', 15', 16', 18', 20', 22' AND 24', 24 USED)
5	E40205	CAP	AR		(10', 18 USED; 13', 14', 15', 16', 18', 20', 22' AND 24', 24 USED)
6	E40202	LOCK NUT	AR	-183900	(SUB E45229)
	E45229	LOCK NUT	AR		
7	E40203	U-BOLT	AR		(10', 18 USED; 13', 14', 15', 16', 18', 20', 22', AND 24', 24 USED)
8	AH79623	SHAFT	6	-20000	(10' PLATFORM) (STANDARD REEL) (SUB AH79624)
	AH79624	SHAFT	6		(10' PLATFORM) (HEAVY-DUTY REEL)
	AH19666	SHAFT	6	-20000	(13' PLATFORM) (STANDARD REEL) (SUB AH19680)
	AH19680	SHAFT	6		(13' PLATFORM) (HEAVY-DUTY REEL)
	AH19671	SHAFT	6	-20000	(14' PLATFORM) (STANDARD REEL) (SUB AH19684)
	AH19684	SHAFT	6		(14' PLATFORM) (HEAVY-DUTY REEL)
	AH63035	SHAFT	6	-20000	(15' PLATFORM) (STANDARD REEL) (SUB AH63039)
	AH63039	SHAFT	6	-183900	(15' PLATFORM)(HEAVY-DUTY REEL) (SUB AH97183)
	AH97183	SHAFT	6		(15' PLATFORM)(HEAVY-DUTY REEL)
	AH19687	SHAFT	6	-20000	(16' PLATFORM) (STANDARD REEL) (SUB AH19695)
	AH19695	SHAFT	6		(16' PLATFORM)(HEAVY-DUTY REEL)
	AH19698	SHAFT	6	-183900	(18' PLATFORM)(HEAVY-DUTY REEL) (SUB AH97185)
	AH97185	SHAFT	6		(18' PLATFORM)
	AH63604	SHAFT	6		(20' PLATFORM)(HEAVY-DUTY REEL)
	AH80100	SHAFT	6	-183900	(22' PLATFORM)(HEAVY-DUTY REEL) (SUB AH97187)
	AH97187	SHAFT	6		(22' PLATFORM)(HEAVY-DUTY REEL)
	AH81254	SHAFT	4	-183900	(24' PLATFORM)(HEAVY-DUTY REEL) (SUB AH97188)
	AH97188	SHAFT	4		(24' PLATFORM)(HEAVY-DUTY REEL)

# B6

REEL

## PICKUP REEL (CUTTING PLATFORM)-CONTINUED

KEY	PART NO.	PART NAME	QTY	SERIAL NO.	REMARKS
9	H33318	RIVET	AR		
10	H33317	CLIP	AR		
11	H33316	FINGER	AR		
12	AH19638	SLAT	12	-20000	(10' PLATFORM) (STANDARD REEL) (SUB AH79619)
	AH79619	SLAT	12		(10' PLATFORM) (HEAVY-DUTY REEL)
	AH19667	SLAT	12	-20000	(13' PLATFORM) (STANDARD REEL) (SUB AH19681)
	AH19681	SLAT	12	-183900	R.H. AND L.H. (13' PLATFORM) (HEAVY-DUTY REEL) (SUB AH97190)
	AH97190	SLAT	12		R.H. AND L.H. (13' PLATFORM)(HEAVY DUTY REEL)
	AH19668	SLAT	6	-20000	(13' PLATFORM) (STANDARD REEL) (SUB AH19682)
	AH19682	SLAT	6	-183900	CENTER (13' PLATFORM) (HEAVY-DUTY REEL) (SUB AH97191)
	AH97191	SLAT	6		(13' PLATFORM)
	AH19673	SLAT	12	-20000	(14' PLATFORM) (STANDARD REEL) (SUB AH19685)
	AH19685	SLAT	12		R.H. AND L.H. (14' PLATFORM) (HEAVY-DUTY REEL)
	AH19667	SLAT	6	-20000	(14' PLATFORM) (STANDARD REEL) (SUB AH19681)
	AH19681	SLAT	6	-183900	CENTER (14' PLATFORM) (HEAVY-DUTY REEL) (SUB AH97190)
	AH97190	SLAT	6		CENTER (14' PLATFORM) (HEAVY DUTY REEL)
	AH63034	SLAT	18	-20000	(15' PLATFORM) (STANDARD REEL) (SUB AH63038)
	AH63038	SLAT	18		(15' PLATFORM) (HEAVY-DUTY REEL)
	AH19688	SLAT	18	-20000	(16' PLATFORM) (STANDARD REEL) (SUB AH19696)
	AH19696	SLAT	18	-183900	(16' PLATFORM) (HEAVY-DUTY REEL) (SUB AH97194)
	AH97194	SLAT	18		(16' PLATFORM)(HEAVY-DUTY REEL)
	AH19699	SLAT	12	-183900	R.H. AND L.H. (18' PLATFORM) (HEAVY-DUTY REEL) (SUB AH97195)
	AH19696	SLAT	6	-183900	CENTER (18' PLATFORM) (HEAVY-DUTY REEL) (SUB AH97194)
	AH97194	SLAT	6		CENTER (18' PLATFORM)(HEAVY-DUTY REEL)
	AH19699	SLAT	6	-183900	(20' PLATFORM) (HEAVY-DUTY REEL) (SUB AH97195)
	AH97195	SLAT	12		R.H. AND L.H. (18' AND 20' PLATFORM) (HEAVY-DUTY REEL)
	AH65216	SLAT	12	-183900	(20' PLATFORM) (HEAVY-DUTY REEL) (SUB AH97196)
	AH97196	SLAT	12		(20' PLATFORM)(HEAVY-DUTY REEL)
	AH80098	SLAT	18	-183900	(22' PLATFORM) (HEAVY-DUTY REEL) (SUB AH97197)
	AH97197	SLAT	18		(22' PLATFORM) (HEAVY DUTY REEL)
	AH81256	SLAT	12	-183900	(24' PLATFORM) (HEAVY-DUTY REEL) (SUB AH97200)
	AH97200	SLAT	12		(24' PLATFORM) (HEAVY DUTY REEL)
13	03H1810	BOLT	AR		1/4" X 1-1/2"
	14H786	NUT	AR		1/4"



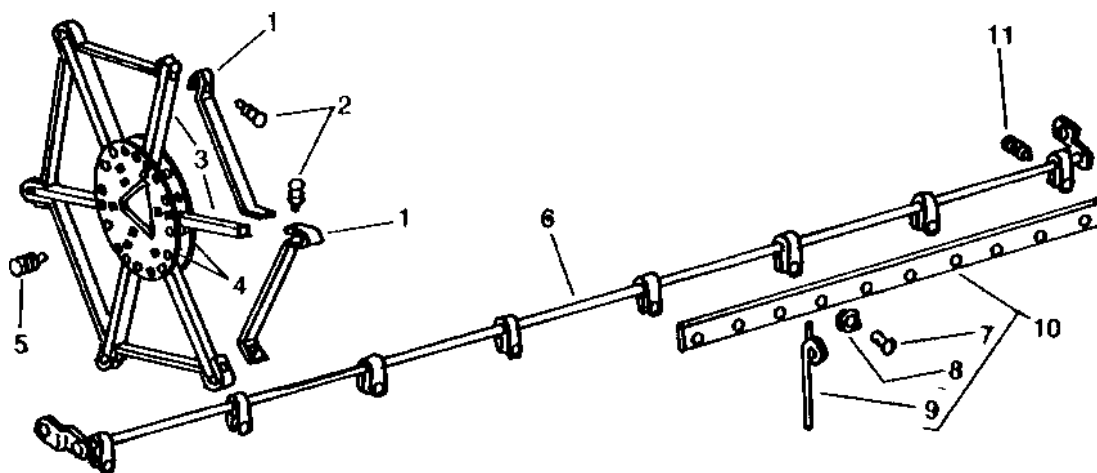
# B7

REEL

HP945

-UN-01JAN94

## PICKUP REEL (DRAPER PLATFORM)



HP945

KEY	PART NO.	PART NAME	QTY	SERIAL NO.	REMARKS
1	H36260	BRACE	24		(NO LONGER AVAILABLE)
2	03H1505	BOLT	24		5/16" X 1-3/4"
	H28088	LOCK NUT	24	-183900	(SUB E50101)
	E50101	LOCK NUT	24		
3	H36262	ARM	24		(NO LONGER AVAILABLE)
4	H33326	PLATE	8		(NO LONGER AVAILABLE)
5	03H1627	BOLT	48		1/4" X 1-1/2"
	P43893	LOCK NUT	48		
6	AH19695	SHAFT	6		
7	H33318	RIVET	234		
8	H33317	CLIP	234		
9	H33316	FINGER	234		
10	AH19696	SLAT	18		(213, -610440; 215, -610550; 216, -610875; 218, -611060; 220, -611400; 222, -611400; 224, -611675) (SUB AH97194)
	AH97194	SLAT	18		
11	03H1527	BOLT	144		1/4" X 1-1/4"
	P43893	LOCK NUT	144		

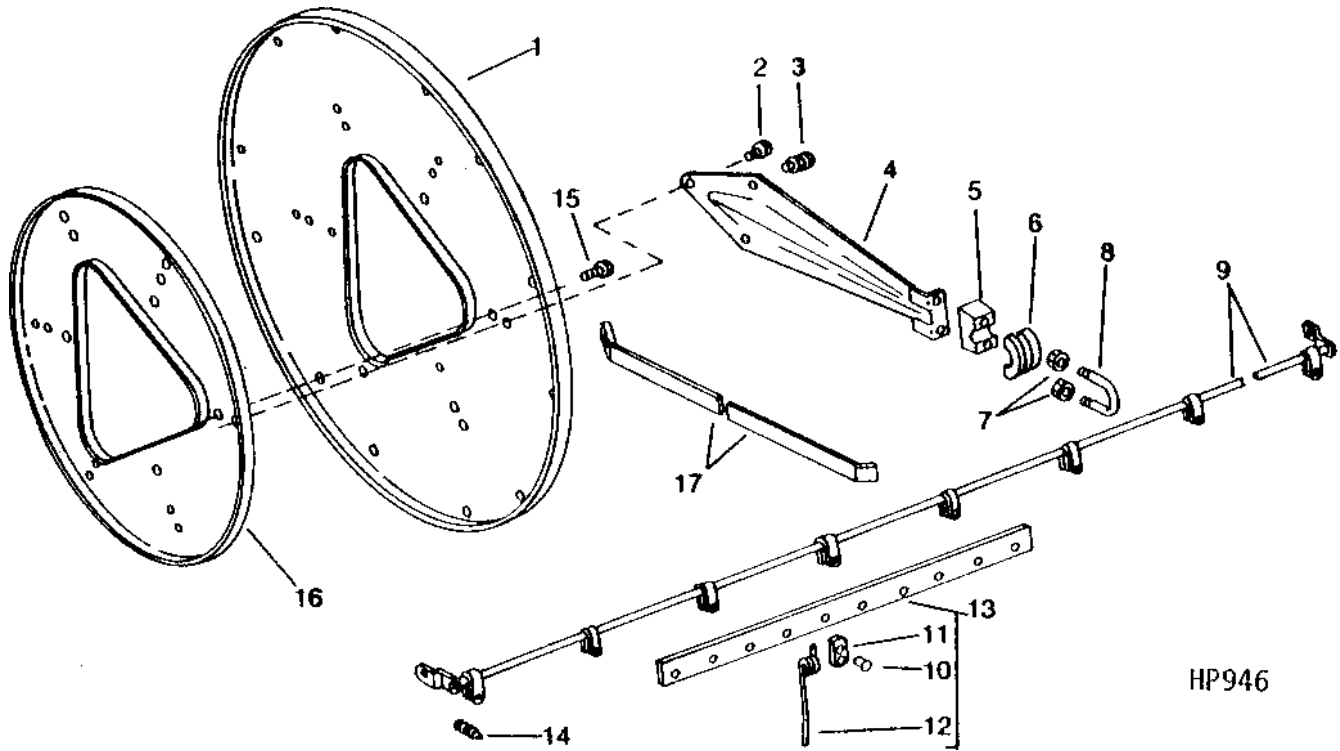
# B8

REEL

HP946

-UN-01JAN94

## PICKUP REEL (DRAPER PLATFORM)



KEY	PART NO.	PART NAME	QTY	SERIAL NO.	REMARKS
1	H83589	PLATE	4	-183900	(NO LONGER AVAILABLE)
	H95826	PLATE	4		
2	19H1849	CAP SCREW	24	5/16" X 1-1/4"	
3	19H2020	CAP SCREW	48	5/16" X 1/2"	
	14H785	NUT	48	5/16"	
4	AE24410	ARM	24		
5	E40206	BASE	24		
6	E40205	CAP	24		
7	E40202	LOCK NUT	48	-183900	(SUB E45229)
	E45229	LOCK NUT	48		
8	E40203	U-BOLT	24		
9	AH19695	SHAFT	6		
10	H33318	RIVET	234		
11	H33317	CLIP	234		
12	H33316	FINGER	234		
13	AH19696	SLAT	18	(213, -610440; 215, -610550; 216, -610875; 218, -611060; 220, -611400; 222, -611400; 224, -611675) (SUB AH97194)	
	AH97194	SLAT	18		
14	03H1810	BOLT	144	1/4" X 1-1/2"	
	14H786	NUT	144	1/4"	
15	19H1905	CAP SCREW	24	5/16" X 1"	
16	AH83690	PLATE	4	-183900	(NO LONGER AVAILABLE)
	AH94685	PLATE	4		
17	H95825	BRACE	24		

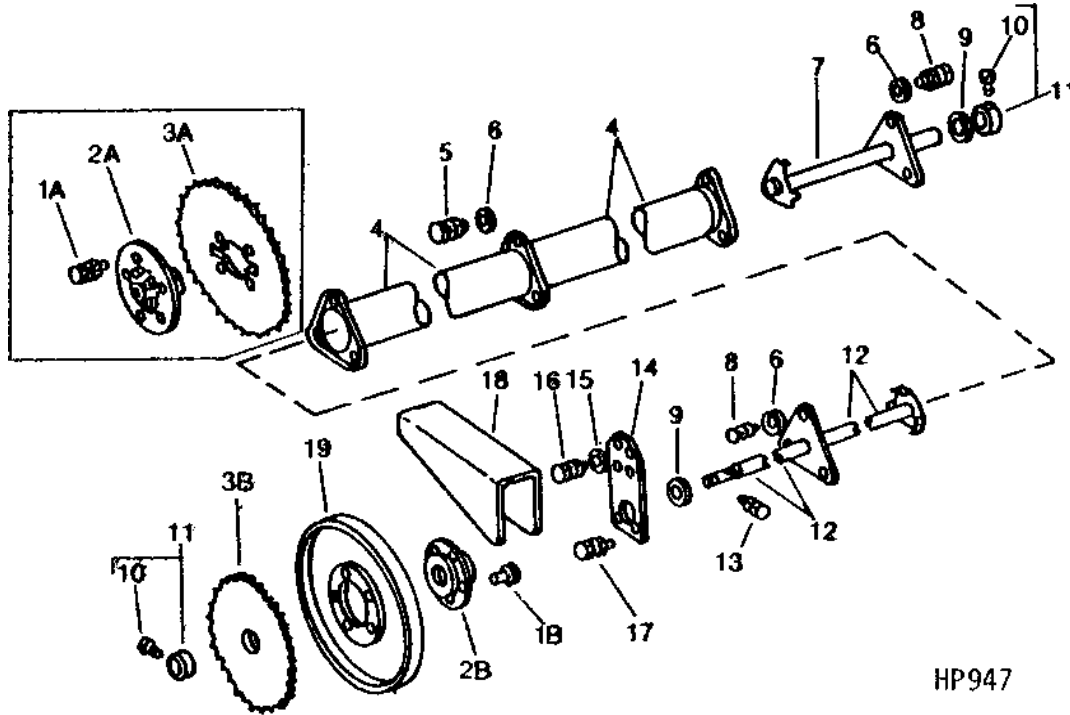
# B9

REEL

## PICKUP REEL SHAFTS AND SHEAVES (CUTTING PLATFORM)

HP947

-UN-01JAN94



HP947

KEY	PART NO.	PART NAME	QTY	SERIAL NO.	REMARKS
1A	19H1905	CAP SCREW	6	-20000	5/16" X 1", (BELT DRIVE REEL)
	14H785	NUT	6	-20000	5/16"
	10H1027	BOLT	4	-20000	3/8" X 1-1/4", (HYDROSTATIC DRIVE REEL)
	14H812	NUT	6	-20000	3/8"
1B	16H1101	RIVET	6	20001-	5/16" X 7/8", (BELT DRIVE REEL)
2A	H11440	HUB	1	-20000	(BELT DRIVE REEL)
	H76702	HUB	1		(HYDROSTATIC DRIVE REEL)
2B	AH83869	HUB	1	20001-	(BELT DRIVE REEL)
3A	H79543	CHAIN SPROCKET	1	-20000	81 TEETH (HYDROSTATIC DRIVE REEL)
3B	AH83871	CHAIN SPROCKET	1	20001-	81 TEETH (HYDROSTATIC DRIVE REEL)
4	AH79622	SHAFT	1		CENTER (10' PLATFORM) (NO LONGER AVAILABLE)
	AH65197	SHAFT	1		CENTER (13' PLATFORM)
	AH65198	SHAFT	1		CENTER (14' PLATFORM) (NO LONGER AVAILABLE)
	AH65199	SHAFT	1		CENTER (15' PLATFORM)
	AH65200	SHAFT	1		CENTER (16' PLATFORM)
	AH65204	SHAFT	1		CENTER (18' PLATFORM)
	AH65203	SHAFT	1		CENTER (20' PLATFORM)
	AH80097	SHAFT	1	-167900	(22' PLATFORM) (SUB AH89659, (4) H88454,
	AH89659	SHAFT	1		AH89825 AND AH89657)
	AH81253	SHAFT	1	-167900	CENTER (22' PLATFORM)
	AH89658	SHAFT	1	-183900	(24' PLATFORM) (SUB AH89658, (4) H88780,
	AH97168	SHAFT	1		AH89825 AND AH89657)
	AH89657	SHAFT	1	-183900	CENTER (24' PLATFORM) (SUB AH97168)
	AH97216	SHAFT	1		CENTER (24' PLATFORM)
5	19H1936	CAP SCREW	AR		3/8" X 3/4"
	H20024	LOCK NUT	AR		
6	24H1122	WASHER	AR	-183900	3/8" X 7/8" X 0.083"
7	AE24407	SHAFT	1	-167900	DRIVEN (10', 13', 14', 15', 16', 18', AND
	AE24407	SHAFT	1	-167900	20')
	AH89657	SHAFT	1	167901-183900	DRIVEN (22' AND 24')
	AH97216	SHAFT	1		(22' AND 24') (SUB AH97216)
	03H1500	BOLT	6		DRIVEN (20', 22' AND 24')
8	H20024	LOCK NUT	6		3/8" X 1"
9	24H1553	WASHER	6		1-5/8" X 2-1/4" X 0.194"
10	22H1043	SET SCREW	4		3/8" X 1/4"
11	AH89655	LOCKING COLLAR	2		

# B10

REEL

## PICKUP REEL SHAFTS AND SHEAVES (CUTTING PLATFORM) - CONTINUED

KEY	PART NO.	PART NAME	QTY	SERIAL NO.	REMARKS
12	AH65207	SHAFT	1	-183900	(SUB AH97212)
	AH97212	SHAFT	1		DRIVE (10', 13', 14', 15', 16', 18', AND 20')
	AH65207	SHAFT	1	-167900	DRIVE (22' AND 24')
	AH89825	SHAFT	1	167901-183900	(22' AND 24') (SUB AH97213)
	AH97213	SHAFT	1		DRIVE (22' AND 24')
13	19H2106	CAP SCREW	2	-20000	7/16" X 2-3/4"
	19H3242	SCREW	2	20001-	7/16" X 2-3/4"
	14H813	NUT	4		7/16"
14	H64722	PLATE	1		
15	24H1136	WASHER	1		11/32" X 11/16" X 0.065"
16	19H1813	CAP SCREW	2		5/16" X 5/8"
17	03H1495	BOLT	2		3/8" X 1-1/2"
	14H812	NUT	2		3/8"
18	H60710	SHIELD	1	-20000	(SUB H83838)
	H83838	SHIELD	1		
19	AP15561	SHEAVE	1		508 MM (20") DIA. (BELT DRIVE REEL)