

**XUV Gator™ Utility  
Vehicle 855D (Diesel)**



**JOHN DEERE**

**PARTS CATALOG**

**XUV Gator™ Utility  
Vehicle 855D (Diesel)**

**PC9959 (Jun-11) English**

**John Deere Horicon Works**

**Worldwide Edition**

Litho in U.S.A. (Revised)

COPYRIGHT © 2011

DEERE & COMPANY

Moline, Illinois

All rights reserved



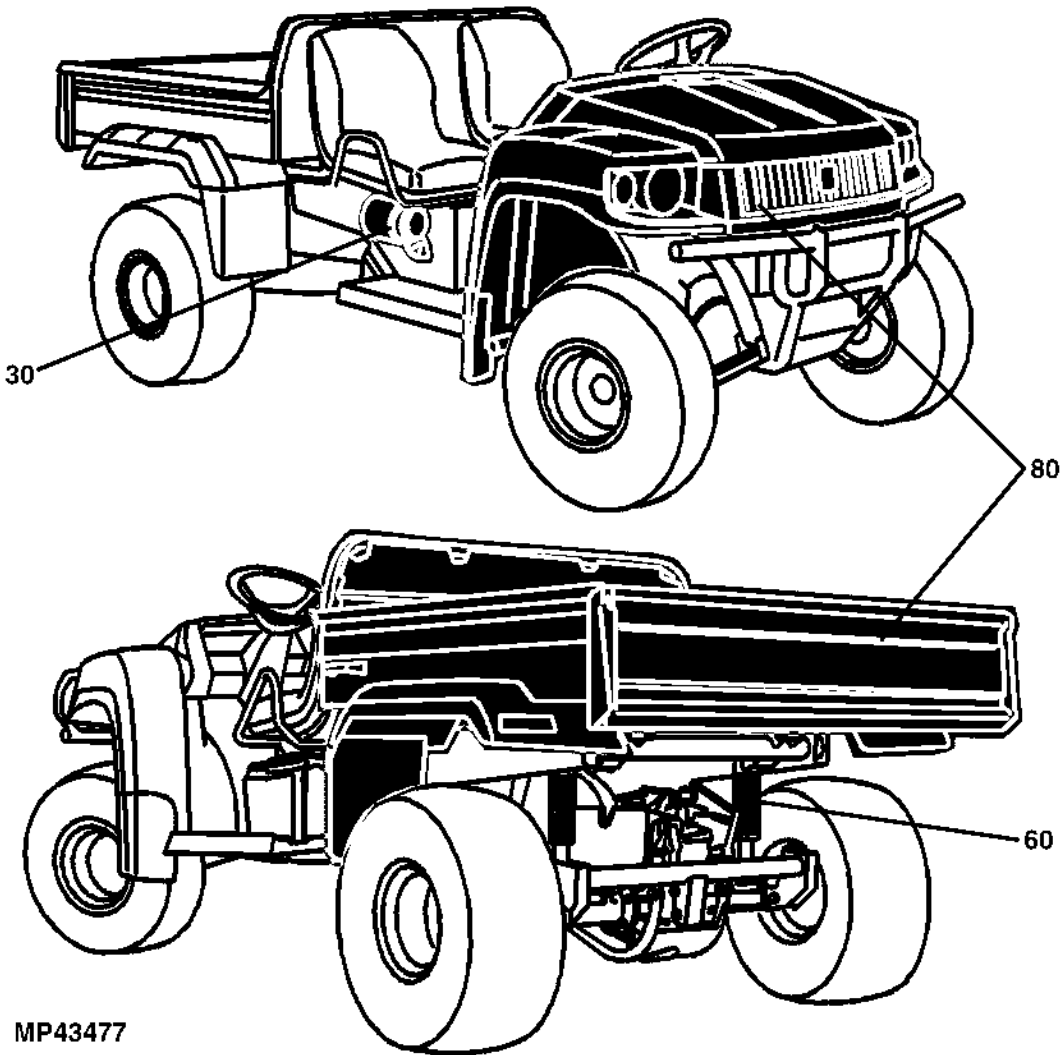
# 10-A01

XUV GATOR UTILITY VEHICLE 855D (DIESEL)

PRIMARY INDEX - SECTION 30, 60, 80  
INDEX PRINCIPAL - SECTION 30, 60, 80  
HAUPTINDEX - ABSCHNITT 30, 60, 80  
INDICE PRINCIPALE - SEZIONE 30, 60, 80  
INDICE DE MATERIAS - SECCION 30, 60, 80  
HUVUDFORTECKNING - AVSNITT 30, 60, 80

MP43477 -UN-

20-	A01
30-	A01
40-	A01
50-	A01
60-	A01
80-	A01
85-	A01
91-	A01

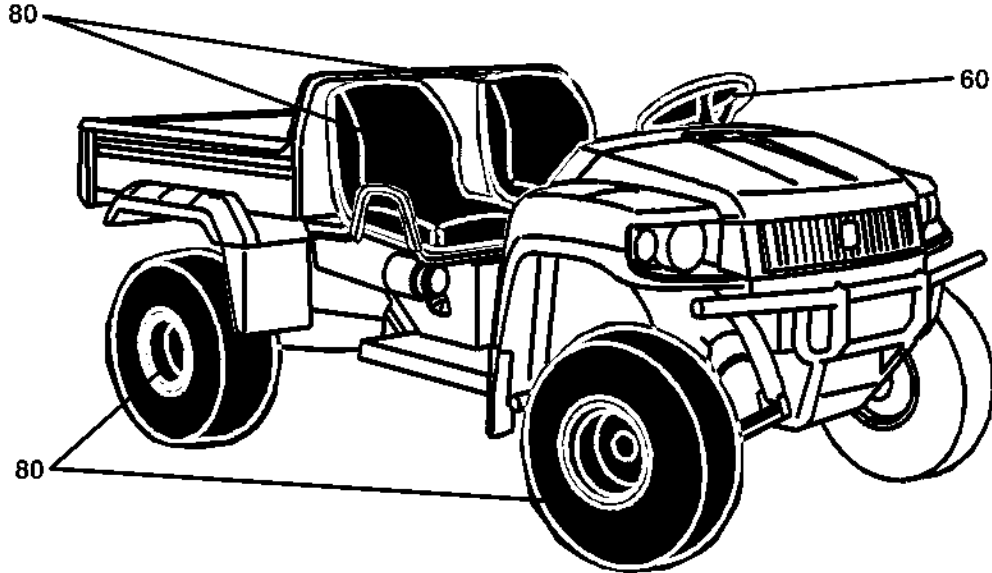


# 10-A02

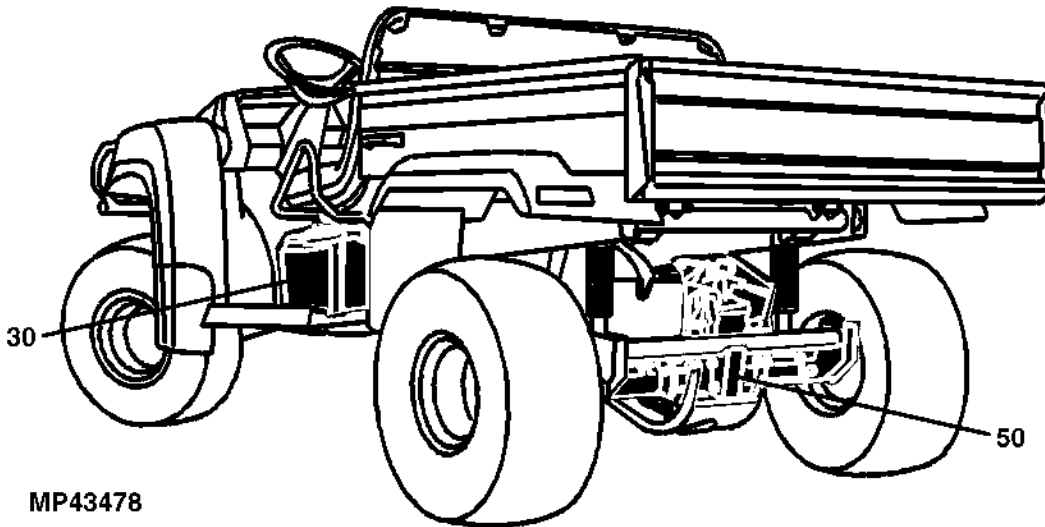
XUV GATOR UTILITY VEHICLE 855D (DIESEL)

PRIMARY INDEX - SECTION 30, 50, 60, 80  
INDEX PRINCIPAL - SECTION 30, 50, 60, 80  
HAUPTINDEX - ABSCHNITT 30, 50, 60, 80  
INDICE PRINCIPALE - SEZIONE 30, 50, 60, 80  
INDICE DE MATERIAS - SECCION 30, 50, 60, 80  
HUVUDFORTECKNING - AVSNITT 30, 50, 60, 80

MP43478 -UN-



20-	A01
30-	A01
40-	A01
50-	A01
60-	A01
80-	A01
85-	A01
91-	A01



MP43478

**Thanks very much for your reading,  
Want to get more information,  
Please click here, Then get the complete  
manual**

**JustClickHere** 

**NOTE:**

**If there is no response to click on the link above,  
please download the PDF document first, and then  
click on it.**

**Have any questions please write to me:  
[admin@servicemanualperfect.com](mailto:admin@servicemanualperfect.com)**

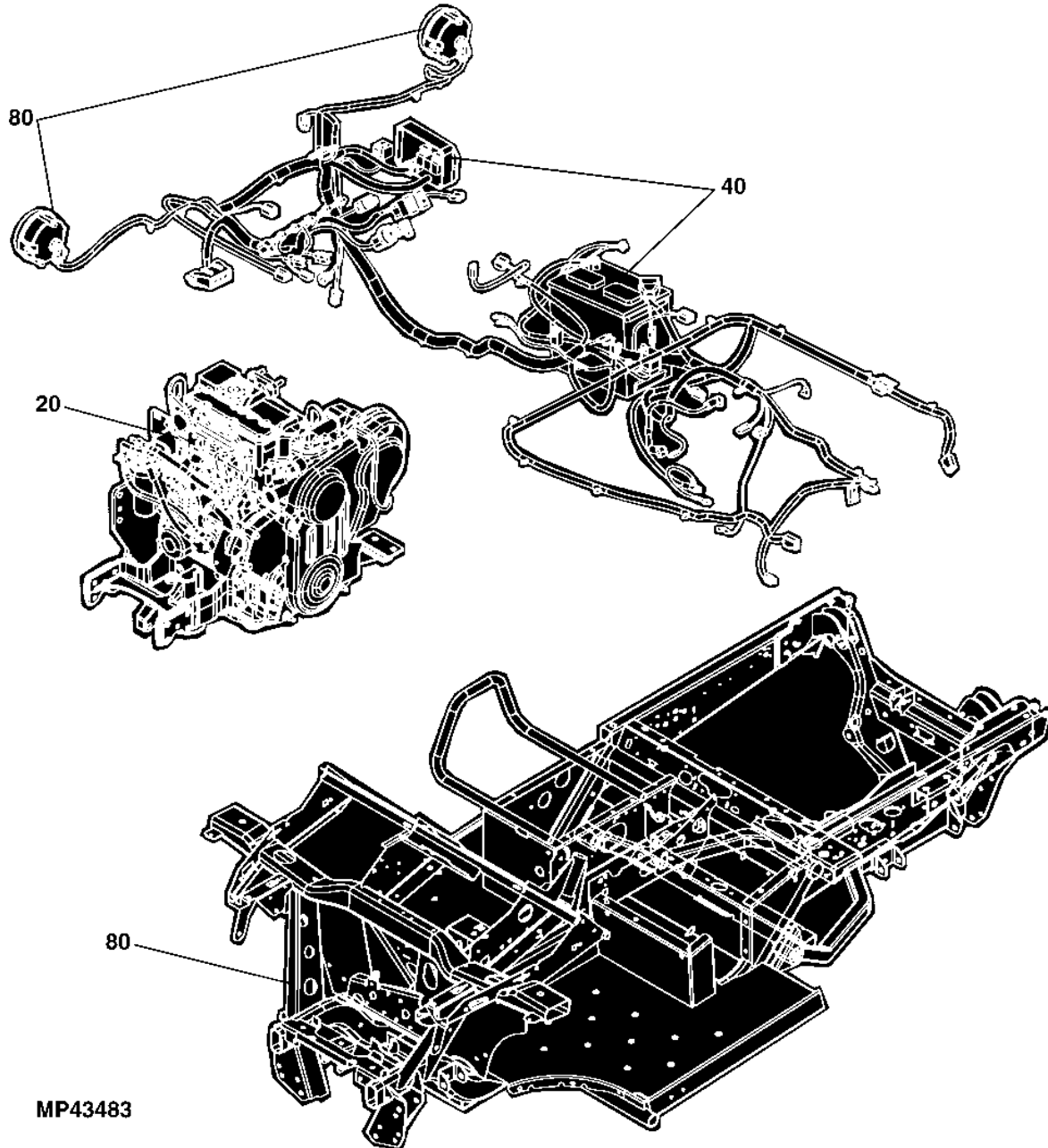
# 10-A03

XUV GATOR UTILITY VEHICLE 855D (DIESEL)

PRIMARY INDEX - SECTION 20, 40, 80  
INDEX PRINCIPAL - SECTION 20, 40, 80  
HAUPTINDEX - ABSCHNITT 20, 40, 80  
INDICE PRINCIPALE - SEZIONE 20, 40, 80  
INDICE DE MATERIAS - SECCION 20, 40, 80  
HUVUDFORTECKNING - AVSNITT 20, 40, 80

MP43483 -UN-

20-	A01
30-	A01
40-	A01
50-	A01
60-	A01
80-	A01
85-	A01
91-	A01



MP43483

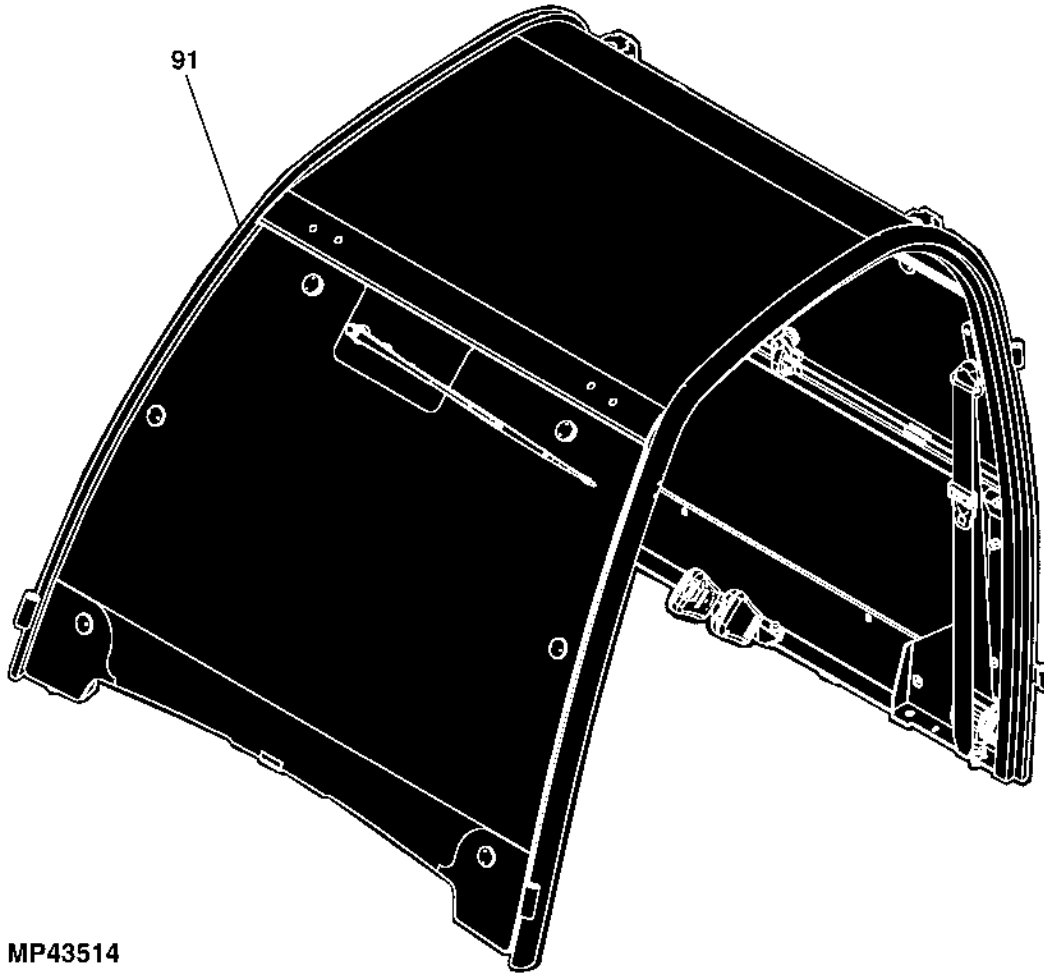
# 10-A04

XUV GATOR UTILITY VEHICLE 855D (DIESEL)

PRIMARY INDEX - CAB 91  
INDEX PRINCIPAL - CABINE 91  
HAUPTINDEX - KABINE 91  
INDICE PRINCIPALE - CABINA 91  
INDICE DE MATERIAS - CABINA 91  
HUVUDFORTECKNING - HYTT 91

MP43514 -UN-

20-	A01
30-	A01
40-	A01
50-	A01
60-	A01
80-	A01
85-	A01
91-	A01



MP43514

MP43473

-UN-08JUN10



**MP43473**

## **XUV GATOR UTILITY VEHICLE 855D (DIESEL)**

2011 MODEL (SN 1M0855DS++M010001- )

*(SPECIFICATIONS AND DESIGN SUBJECT TO CHANGE WITHOUT NOTICE)*



# 10-2

XUV GATOR UTILITY VEHICLE 855D (DIESEL)

## TRANSLATED REMARKS

MP30119 -UN-18DEC02

PHRASE	ENGLISH	FRANCAIS	DEUTSCH	ITALIANO	ESPAÑOL	SVENSKA
ALSO ORDER, ORD W/	Also order	Commander aussi	Ebenso bestellen	Ordinare anche	Pedir también	Beställ även
AMP	Ampere	Ampère	Ampere	Ampere	Amperio	Ampere
AND	And	Et	Und	E	Y	Och
APPL, APPL ONLY	This application only	Uniquement pour cette utilisation	Nur für diese Anwendung	Solo per questa applicazione	Solo para este propósito	Endast för denna användning
AR	As required	Selon le besoin	Nach Bedarf	Secondo necessità	Según necesidad	Vid behov
ASSY	Complete assembly	Ensemble complet	Kompl.-Zusammenbau	Gruppo completo	Montaje completo	Komplett montering
CA, CONVENIENCE ASSY	Convenience assembly	Ensemble convenance	Komfort-Zusammenbau	Montaggio pratico	Montaje de conveniencia	Lämplig montering
CCW	Counter-clockwise	Sens anti-horaire	Gegen Uhrzeigersinn	Senso antiorario	A la izquierda	Moturs
COMPLETE	Complete	Complet	Vollständig	Completo	Completo	Fullständig
COMPLETE GOODS	Complete goods	Compléter marchandises	Vollst. Waren	Merci complete	Mercancías completas	Kompleta varor
CUT TO LENGTH	Cut to length	Couper à la longueur	Auf Länge zurechtschneiden	Tagliare alla lunghezza	Corte a la longitud	Skära till längd
CW	Clockwise	Sens horaire	Im Uhrzeigersinn	In senso orario	A la derecha	Medurs
FOR	For	Pour	Für	Per	Para	För
FRONT	Front	Avant	Vorn	Anteriore	Frente	Fram
GAS	Gasoline	Essence	Benzin	Benzina	Gasolina	Bensin
HP	Horsepower	Puissance en cv	Leistung	Potenza	Potencia	Hästkraft
HS, HEAD MARKED	High strength, head marked	Haute résistance, tête marquée	Hochfest, vorn gekennzeichnet	Contrassegnato in testa, ad alta resistenza	Alta fuerza, marca en cabeza	Hög styrka, huvudmärkt
HS, SAE	High strength, SAE rating	Haute résistance, SAE	Hochfest, SAE-Nennwert	Ad alta resistenza, potenza SAE	Alta fuerza, SAE	Hög styrka, SAE
ID	Inside diameter	Diamètre intérieur	Innendurchmesser	Diametro interno	Diá. interior	Innerdiameter
INCH	Inch	Pouce	In.	Pollice	Pulg.	Tum
INCL KEYS	Includes keys...	Comprend les positions...	Einschließlich Schlüssel...	Include le chiavette...	Incluye posiciones...	Inklusive nycklar...
INCL, INCLUDES	Includes...	Comprend...	Enthält...	Include...	Incluye...	Inkluderar...
INCLUDES PARTS/ ITEMS MARKED	Includes parts/items marked...	Comprend les pièces/articles marqués...	Enthält gekennzeichnete Teile/Pos. ...	Include i pezzi e gli elementi contrassegnati...	Incluye piezas marcadas...	Inkluderar markerade delar/artiklar...
INNER	Inner	Intérieur	Innerer	Interno	Interno	Inre, invändig
KIT	Kit	Kit	Kit	Kit	Juego	Sats
L	Number of links	Nombre de maillons	Anzahl der Glieder	Numero di maglie	Nº de eslabones	Antal länkar
LGTH	Length	Longueur	Länge	Lunghezza	Longitud	Längd
LH	Left-hand	Gauche	Links	Sinistra	Izquierda	Vänster
LOW, LOWER	Lower	Inférieur	Unterer	Inferiore	Inferior	Nedre

MP30119

## TRANSLATED REMARKS

MP30120

-UN-18DEC02

PHRASE	ENGLISH	FRANCAIS	DEUTSCH	ITALIANO	ESPAÑOL	SVENSKA
MAKE FROM, MF	Make from	Faireavec	Herstellen von	Fabbricare da	Hacer de	Tillverka av
MARKED	Marked	Marqué	Markiert	Contrassegnato	Marcado	Märkt
MATCHED SET	Matched set	Ensemble assorti	Passender Satz	Set abbinato	Sistema emparejado	Anpassad sats
MFWD	Mechanical front wheel drive	Traction avant mécanique	Mechanischer Frontradantrieb	Trazione anteriore meccanica	Tracción mecánica delantera	Mekanisk framhjulsdraft
MRWD	Mechanical rear wheel drive	Traction arrière mécanique	Mechanischer Hinterradantrieb	Trazione posteriore meccanica	Tracción mecánica trasera	Mekanisk bakhjulsdraft
NA, NOT USED THIS APPL	Not used this application	Ne sert pas pour cette application	In dieser Anwendung nicht benutzt	Non usato in questa applicazione	No se usa en esta aplicación	Ej använd i detta sammanhang
NLA	No longer available	Epuisé	Nicht mehr lieferbar	Non più disponibile	Descontinuado	Ej längre tillgänglig
NSEP	Not supplied separately	Non livré séparément	Nicht einzeln lieferbar	Non fornito separatamente	No se suministra por separado	Kan ej erhållas separat
OD	Outside diameter	Diamètre extérieur	Außerdurchmesser	Diametro esterno	Diá. exterior	Ytterdiameter
OPTIONAL	Optional	En option	Wahlweise	Opzionale	Opcional	Valfri
OR	Or	Ou	Oder	Oppure	O	Eller
ORD, ORDER	Order	Commander	Bestellen	Ordinare	Pídase	Order
OS	Oversize	Sur-dimension	Übergröße	Maggiorato	Sobretamaño	Överdimension
OUTER	Outer	Externe	Äußerer	Esterno	Externo	Yttre, utvändig
PKG, PACKG	Package, Packet of	Emballage, paquet de	Verpackung, verpackt mit	In confezione da	Paquete de	I sats; paket
RATIO	Ratio	Rapport	Übersetzungsverhältnis	Rapporto	Índice	Förhållande
REAR	Rear	Arrière	Hinten	Posteriore	Trasero	Bak; bakre
REPL	Replaces	Remplace	Ersetzt	Sostituisce	Sustituye	Ersätter
RH	Right-hand	Droit	Rechts	Destra	Derecha	Höger
SN	Serial number	Numéro de série	Seriennummer	Numero di serie	Nº de serie	Seriennummer
STD	Standard	Standard	Standard	Standard	Normal	Standard
SUB	Replaced by	Remplacé par	Ersetzt durch	Sostituito da	Sustituido por	Ersatt med
SUB COMPONENTS	Substitute components (of the kit or assy)	Substituer les composants (du kit ou de l'ensemble)	Komponenten ersetzen (des Kits oder der Baugruppe)	Sostituire i componenti (del kito del gruppo)	Sustituir los componentes	Ersätta komponenterna (i satsen eller monteringen)
SUB FOR	Substitutes for	Remplace	Ersatz für	Sostituisce	Sustitución para	Ersätter
TEETH, Z	Number of gear teeth	Nombre de dents d'engrenages	Zahl der Zahnradzähne	Numero di denti dell'ingranaggio	Nº de dientes de engranaje	Antal redskapständer
TK	Thickness	Épaisseur	Stärke	Spessore	Espesor	Tjocklek
UP, UPPER	Upper	Supérieur	Oberer	Superiore	Superior	Övre
US	Undersize	Sous-dimension	Untergröße	Minorato	Subtamaño	Underdimension
USE WITH	Use with	À utiliser avec	Verwenden mit	Usare con	Usar con	Använd med
USE UNTIL EXHAUSTED	Use until exhausted	Utilisation jusqu'à épuisé	Verwenden, bis erschöpft	Usare fino all'esaurimento	Usar hasta agotar	Använda till uttömd
W/	With	Avec	Mit	Con	Con	Med; inklusive
W/O	Without	Sans	Ohne	Senza	Sin	Utan; exklusiv
WHOLE GOODS	Whole goods	Marchandises entières	Vollständige Waren	Merci intere	Mercancías enteras	Hela varor

MP30120

## PRODUCT IDENTIFICATION AND SERIAL NUMBER PLATE

AN INDIVIDUAL PRODUCT IDENTIFICATION AND SERIAL NUMBER IS ASSIGNED TO EACH MACHINE. WHEN WRITING ABOUT OR FILLING OUT WARRANTY CLAIMS, USE ALL THE CHARACTERS SHOWN ON THE PLATE.

**EXAMPLE: 1M0855DS++M010001**

1M0 - FACTORY DESIGNATION (HORICON WORKS)  
855D - MODEL OR MACHINE DESIGNATION  
S - CONFIGURATION CODE  
+ - RANDOM NUMBER  
+ - RANDOM NUMBER  
M - CALENDER YEAR  
010001 - SERIAL NUMBER

## CONFIGURATION SEQUENCE NUMBER

**EXAMPLE: M0KT022XXXXXX**

DIGITS 1-2: UNIT CODE OF MANUFACTURE LOCATION  
DIGITS 3-4: CORPORATE COMPONENT IDENTIFICATION CODE  
DIGITS 5 -7: CCDC ASSEMBLY LINE IDENTIFICATION  
DIGITS 8-13: CCDC BUILD SEQUENCE NUMBER (NUMERIC CHARACTERS ONLY)

## PRODUCT CONFIGURATION CODE

THE CONFIGURATION "ALPHA" CODE IDENTIFIES A VARIATION OF A PRODUCT. (EXAMPLE: A 116 LAWN TRACTOR MAY BE MANUFACTURED AS A HYDROSTATIC OR MANUAL UNIT, AND BE SHIPPED WITH A 970MM OR 1170MM MOWER. FOUR VARIATIONS OF THE 116 LAWN TRACTOR EXIST.) IT ALSO IDENTIFIES DIFFERENT PRODUCTS WHICH HAVE THE SAME MODEL OR MACHINE DESIGNATION. (EXAMPLE: 216 TRACTOR AND 216 TILLER) IF NO CONFIGURATION "ALPHA" CODE IS REQUIRED, SPACE IS FILLED IN WITH AN "X".

## SERIAL NUMBER LISTING INFORMATION

SERIAL NUMBER INFORMATION IS LISTED TO SHOW ON WHICH MACHINES EACH PART CAN BE USED; FOR EXAMPLE:

- THE PART CAN BE USED ON ALL MACHINES.
- 000000 - THE PART CAN BE USED ON ALL MACHINES BEGINNING WITH THE SERIAL NUMBER LISTED.
- 000000 THE PART CAN BE USED ON ALL MACHINES UP TO AND INCLUDING THE SERIAL NUMBER LISTED.
- 000000 -000000 THE PART CAN BE USED ON ALL MACHINES BETWEEN AND INCLUDING THE SERIAL NUMBERS LISTED.

WHEN XXXXXX'S ARE LISTED IN PLACE OF A SERIAL NUMBER, A SERIAL NUMBER CHANGE WAS MADE, BUT THE EXACT SERIAL NUMBER WAS NOT AVAILABLE WHEN THE CATALOG WAS PRODUCED.

## **BOX-ENCLOSED ILLUSTRATIONS**

A KEY NUMBER, SHOWN IN THE PARTS LIST, IS ASSIGNED TO A BOX ENCLOSING ALL PARTS SOLD AS A SERVICE ASSEMBLY.

## **BOLT AND CAP SCREW STRENGTH IDENTIFICATION**

BOLTS AND CAP SCREWS REQUIRED TO HAVE HIGH-STRENGTH QUALITIES EQUIVALENT TO SAE GRADE 8 ARE IDENTIFIED THROUGHOUT THIS CATALOG BY THE DESCRIPTION HS SAE 8 (10.9 FOR METRIC). ALL STANDARD BOLTS AND CAP SCREWS ARE SAE GRADE 5 (METRIC 8.8) OR LOWER.

## **WHOLE GOODS LISTINGS**

WHOLE GOODS ARE LISTED IN BOLD FACE TYPE. REFER TO LAWN AND GROUNDS CARE SALES MANUAL FOR WHOLE GOODS ORDERING INFORMATION. ORDER SEPARATELY. DO NOT INCLUDE ON REPLACEMENT PARTS ORDER.

## **DIRECTION ARROW**

ARROWS ARE USED WITH ILLUSTRATIONS TO INDICATE THE FRONT OF THE UNIT. "RIGHT-HAND" AND "LEFT-HAND" SIDES ARE DETERMINED BY FACING IN THE DIRECTION OF MACHINE FORWARD TRAVEL.

## **TO THE CUSTOMER**

THE PART NUMBERS IN THIS PARTS CATALOG WERE CORRECT AT THE TIME THIS CATALOG WAS PUBLISHED. IT IS OUR POLICY TO CONSTANTLY IMPROVE OUR MACHINES. THEREFORE, PART NUMBERS MAY CHANGE WHEN ORDERING PARTS. VERIFY PART NUMBERS THROUGH YOUR DEALER.

---

*SECTION INDEX*

GENERAL INFORMATION AND ALPHABETICAL INDEX .....	10
ENGINE .....	20
FUEL AND AIR .....	30
ELECTRICAL .....	40
POWER TRAIN .....	50
STEERING AND BRAKES .....	60
FRAME, WHEELS AND OPERATOR'S STATION .....	80
OPERATOR PROTECTION SYSTEM .....	85
HOMOLOGATION KIT .....	89
LABELS .....	90
CAB .....	91
BLADES .....	92
72-INCH ROTARY BROOM .....	93
ATTACHMENTS .....	94
NUMERICAL INDEX .....	95

## ALPHABETICAL INDEX

	PAGE		PAGE
<b>A</b>			
A-ARM, FRONT SUSPENSION .....	60-4	BRUSH FRAME (72" ROTARY BROOM) .....	93-26
A-ARM, REAR SUSPENSION .....	60-8	BRUSH GUARD, HEAVY DUTY (OPTIONAL) .....	80-23
ACCELERATOR PEDAL .....	30-1	BRUSHES (72" ROTARY BROOM) .....	93-26
ADJUSTER, SEAT .....	80-8	BULB, TAIL LIGHT .....	40-11
ADVENTURE LIGHT KIT (OPTIONAL) .....	40-12	BUMPER KIT, REAR .....	80-27
AIR CLEANER .....	30-10	BUMPER, FRONT .....	80-2
AIR CLEANER (CAB) .....	30-9	<b>C</b>	
AIR FILTER (72" ROTARY BROOM) .....	93-10	CABLE, DIFFERENTIAL INTERLOCK .....	60-12
ALARM .....	40-4	CABLE, DIFFERENTIAL LOCK .....	50-26
ALARM, BACK-UP KIT .....	40-15	CABLE, FRONT WINCH POWER .....	94-8
ALTERNATOR .....	40-6	CABLE, PARK BRAKE .....	60-12
ARM, DIFFERENTIAL LOCK .....	50-16	CABLE, REAR WINCH POWER .....	94-6
ARM, GEAR SHIFT .....	50-24	CABLE, THROTTLE .....	30-1
ARM, TRANSMISSION RANGE SHIFT .....	50-14	CABLE, WINCH .....	94-4
AXLE SHAFT, FRONT .....	50-1	CABLES, BATTERY .....	40-1
AXLE SHAFT, REAR .....	50-28	CALIPERS, FRONT BRAKE .....	60-6
AXLE SHAFT, REAR .....	50-29	CALIPERS, REAR BRAKE .....	60-10
<b>B</b>			
BACK-UP ALARM KIT .....	40-15	CAMSHAFT .....	20-8
BAR, REAR ANTI-ROLL .....	60-8	CAMSHAFT (72" ROTARY BROOM) .....	93-6
BARRIER KIT (CAB) (EXPORT) .....	91-6	CANOPY (CAB) .....	91-2
BASE, SEAT .....	80-8	CAP, FUEL .....	30-2
BASE, SEAT (BENCH) .....	80-10	CAP, FUEL (72" ROTARY BROOM) .....	93-13
BATTERY AND CABLES .....	40-1	CAP, RADIATOR .....	20-20
BEACON LIGHT KIT (CAB) .....	91-17	CARBURETOR (72" ROTARY BROOM) .....	93-9
BEARING HOLDER, INPUT SHAFT .....	50-8	CARGO BOX AND SIDE PANELS .....	80-12
BEARING, MAIN (ENGINE) .....	20-2	CARGO BOX DIVIDER KIT .....	80-31
BEARING, MAIN, ENGINE (72" ROTARY BROOM) .....	93-4	CASE, DIFFERENTIAL .....	50-16
BELT (72" ROTARY BROOM) .....	93-20	CASE, FRONT PTO .....	50-6
BELT, DRIVE .....	50-18	CASE, TRANSMISSION .....	50-8
BELT, FAN .....	20-18	CASTER WHEELS (72" ROTARY BROOM) .....	93-26
BENCH SEAT .....	80-10	CE KIT .....	90-10
BLADE, FRONT MOUNT .....	92-4	CHASSIS .....	80-2
BLOCK HEATER KIT .....	20-26	CLOSEOUT PANEL (CAB) (EXPORT) .....	91-6
BLOCK, ENGINE (72" ROTARY BROOM) .....	93-2	CLUTCH (72" ROTARY BROOM) .....	93-20
BLOWER HOUSING, ENGINE		CLUTCH, MFWD .....	50-2
(72" ROTARY BROOM) .....	93-8	CLUTCH, PRIMARY DRIVE .....	50-20
BOOT, STEERING RACK .....	60-2	CLUTCH, TRANSAXLE DRIVEN .....	50-21
BOOT, STEERING RACK (EPAS) .....	60-3A	COIL, IGNITION (72" ROTARY BROOM) .....	93-16
BOX LIFT KIT (OPTIONAL) .....	80-22	CONNECTING ROD .....	20-4
BOX MAT .....	80-25	CONNECTING ROD (72" ROTARY BROOM) .....	93-4
BOX, CARGO .....	80-12	CONNECTOR, TRAILER (HOMOLOGATED) .....	89-4
BOX, SIDE STORAGE .....	94-13	CONSOLE, DASH .....	80-4
BOX, SWITCH MOUNTING (OPS) .....	85-14	CONSOLE, DASH .....	80-6
BRACKET, AIR CLEANER MOUNT .....	30-10	CONTROL WIRING HARNESS	
BRACKET, CARGO BOX EXTENDER KIT .....	80-32	(72" ROTARY BROOM) .....	93-18
BRACKET, DIFFERENTIAL LOCK CABLE .....	50-26	CONTROLS, THROTTLE AND CHOKE	
BRACKET, PARK BRAKE HANDLE .....	60-12	(72" ROTARY BROOM) .....	93-14
BRACKET, SEAT PIVOT .....	80-8	COVER, CYLINDER HEAD .....	20-10
BRACKET, SHIFT CABLE MOUNT .....	50-24	COVER, SEAT BASE .....	80-8
BRACKET, THROTTLE CABLE .....	20-16	COVER, VALVE (72" ROTARY BROOM) .....	93-2
BRACKET, TUNNEL PLUG .....	50-4	COWLS, OPS .....	85-4
BRACKET, WINCH MOUNT (BUMPER) .....	94-4	CRANKCASE, ENGINE (72" ROTARY BROOM) .....	93-2
BRACKETS, ENGINE MOUNT .....	20-24	CRANKSHAFT .....	20-6
BRACKETS, TRANSMISSION MOUNT .....	50-22	CRANKSHAFT (72" ROTARY BROOM) .....	93-4
BRAKE SWITCH (HOMOLOGATED) .....	89-2	CRANKSHAFT GEAR (72" ROTARY BROOM) .....	93-4
BRAKE, PARKING .....	60-14	CV BOOT GUARD KIT (FRONT) .....	60-18
BRAKES, FRONT .....	60-6	CV BOOT GUARD KIT (REAR) .....	60-19
BRAKES, REAR .....	60-10	CYLINDER HEAD .....	20-12
BREATHING, MFWD CASE .....	50-2	CYLINDER HEAD COVER .....	20-10
BREATHING, PARK BRAKE .....	60-12	CYLINDER, ENGINE (72" ROTARY BROOM) .....	93-2
BREATHING, TRANSMISSION HOUSING .....	50-8	CYLINDER, MANUAL LIFT (CARGO BOX) .....	80-18

## ALPHABETICAL INDEX - CONTINUED

	PAGE		PAGE
<b>D</b>			
DASH PANEL.....	80-6	FRAME (OPS).....	85-2
DECALS.....	90-2	FRAME, BLADE.....	92-4
DECALS (BRAZILIAN).....	90-12	FRAME, MAIN AND BRUSH (72" ROTARY BROOM).....	93-26
DECALS (CONTINUED).....	90-4	FRAME, MAIN AND ENGINE CARRIER.....	80-2
DECALS (EXPORT).....	90-10	FRONT AXLE SHAFT.....	50-1
DECALS (FRENCH CANADIAN).....	90-6	FRONT BUMPER.....	80-2
DECALS (SPANISH).....	90-8	FRONT FENDERS AND MUD FLAPS.....	80-4
DECALS (WINCH).....	94-10	FRONT HITCH.....	89-8
DECALS (72" BLADE)		FRONT IMPLEMENT LIFT SYSTEM.....	92-8
(FRENCH/CANADIAN).....	92-10	FRONT PTO.....	50-6
DECALS (72" ROTARY BROOM).....	93-30	FRONT WORK LIGHTS (CAB).....	91-18
DECALS (72" ROTARY BROOM) (EXPORT).....	93-32	FUEL FILTER.....	30-4
DECALS, CARGO BOX PANELS.....	80-14	FUEL GAUGE AND CAP.....	30-2
DELUXE LIGHT KIT.....	40-8	FUEL INJECTION PUMP.....	30-8
DIFFERENTIAL AND LOCK LINKAGE.....	50-16	FUEL PUMP.....	30-8
DIFFERENTIAL LOCK LINKAGE.....	50-26	FUEL TANK.....	30-2
DIPSTICK, ENGINE OIL.....	20-14	FUEL TANK (72" ROTARY BROOM).....	93-13
DIPSTICK, TRANSMISSION.....	50-8	FULL WINDSHIELD KIT (FOLDING) (OPS)	
DIVIDER KIT, CARGO BOX.....	80-31	(-XXXXXX).....	85-6
DOOR, HARD (CAB).....	91-8	FULL WINDSHIELD KIT (FOLDING) (OPS)	
DOOR, SEAT BASE (BENCH).....	80-10	(XXXXXX- ).....	85-6A
DOOR, SOFT (CAB) (EXPORT).....	91-10	FUSES.....	40-2
DOORS, OPS.....	85-4		
DRAIN VALVE, COOLANT.....	20-18	<b>G</b>	
DRAWBAR (2 INCH).....	94-2	GAS PEDAL.....	30-1
DRIVE BELT.....	50-18	GAS TANK.....	30-2
DRIVE CLUTCH, PRIMARY.....	50-20	GASKET KIT, CYLINDER HEAD.....	20-22
DRIVEN CLUTCH, TRANSAXLE.....	50-21	GASKET KIT, ENGINE.....	20-22
DRIVESHAFT (MFWD TO TRANSMISSION).....	50-4	GASKET, CYLINDER HEAD COVER.....	20-10
		GASKET, ENGINE TO CARBURETOR	
		(72" ROTARY BROOM).....	93-9
		GASKET, HEAD (72" ROTARY BROOM).....	93-2
		GASKET, MUFFLER (72" ROTARY BROOM).....	93-12
		GASKET, VALVE COVER (72" ROTARY BROOM).....	93-2
		GAUGE, AIR RESTRICTION.....	30-10
		GAUGE, FUEL.....	30-2
		GEAR REDUCTION HOUSING	
		(72" ROTARY BROOM).....	93-4
		GEAR, CRANKSHAFT (72" ROTARY BROOM).....	93-4
		GEAR, FINAL DRIVE.....	50-16
		GEAR, TRANSMISSION REDUCTION.....	50-12
		GEARCASE.....	20-16
		GLASS WINDSHIELD KIT, OPS	
		(-XXXXXX).....	85-1
		GLASS WINDSHIELD KIT, OPS	
		(XXXXXX- ).....	85-1A
		GLOVE BOX.....	80-6
		GLOW PLUG.....	20-12
		GOVERNOR LINKAGE (72" ROTARY BROOM).....	93-14
		GRILLE.....	80-4
		GRIP, DIFFERENTIAL LOCK HANDLE.....	50-26
		GROMMET, REAR CLOSEOUT PANEL.....	50-4
		GUARD KIT, CV BOOT (FRONT).....	60-18
		GUARD KIT, CV BOOT (REAR).....	60-19
		GUARD, GARGO BOX FENDER.....	80-26
		GUARD, HEAVY DUTY FENDER (OPTIONAL).....	80-24
		GUARDS, TAILLIGHT.....	80-29
		<b>H</b>	
		HALF WINDSHIELD KIT (FOLDING) (OPS)	
		(-XXXXXX).....	85-6B
		HALF WINDSHIELD KIT (FOLDING) (OPS)	
		(XXXXXX- ).....	85-7
<b>E</b>			
ELEMENT, AIR FILTER (CAB).....	30-9		
ELEMENT, AIR FILTER (72" ROTARY BROOM).....	93-10		
ENGINE.....	20-2		
ENGINE (72" ROTARY BROOM).....	93-2		
ENGINE BLOWER HOUSING (72" ROTARY BROOM).....	93-8		
ENGINE CONTROLS (72" ROTARY BROOM).....	93-14		
ENGINE GASKET KITS.....	20-22		
ENGINE MOUNTS.....	20-24		
ENGINE OIL PRESSURE SENSOR.....	20-14		
ENGINE OIL PUMP.....	20-16		
EXHAUST MANIFOLD.....	30-14		
EXHAUST VALVE (72" ROTARY BROOM).....	93-6		
<b>F</b>			
FAN AND BELT.....	20-18		
FAN, RADIATOR.....	20-20		
FENDER GUARD, CARGO BOX.....	80-26		
FENDER GUARD, HEAVY DUTY (OPTIONAL).....	80-24		
FENDERS, FRONT.....	80-4		
FILTER, AIR.....	30-10		
FILTER, AIR (CAB).....	30-9		
FILTER, AIR (72" ROTARY BROOM).....	93-10		
FILTER, CLUTCH AIR INTAKE HOSE.....	50-18		
FILTER, ENGINE OIL.....	20-14		
FILTER, FUEL.....	30-4		
FLANGE, ENGINE MOUNTING.....	20-6		
FLOOR, CARGO BOX.....	80-12		
FLYWHEEL.....	20-6		
FLYWHEEL (72" ROTARY BROOM).....	93-16		
FORK, TRANSMISSION RANGE SHIFT.....	50-14		

## ALPHABETICAL INDEX - CONTINUED

	PAGE		PAGE
HANDLE, DIFFERENTIAL LOCK .....	50-26	KIT, CARGO BOX EXTENDER .....	80-32
HANDLE, DOOR (HARD) (CAB) .....	91-8	KIT, CE .....	90-10
HANDLE, DOOR (SOFT) (CAB) (EXPORT) .....	91-10	KIT, GASKET, CARBURETOR	
HANDLE, PARK BRAKE .....	60-12	(72" ROTARY BROOM) .....	93-9
HANDLE, RECOIL STARTER		KIT, HORN .....	40-13
(72" ROTARY BROOM) .....	93-15	KIT, HORN (HOMOLOGATED) .....	89-5
HANDLE, SHIFT .....	50-24	KIT, RECOIL STARTER (72" ROTARY BROOM) .....	93-15
HANDLE, TAILGATE .....	80-12	KIT, TAIL/BRAKE LIGHT .....	40-16
HARNES, BEACON LIGHT (OPS) .....	85-13	KNOB, SHIFT LEVER .....	50-24
HARNES, CANOPY POWER (OPS) .....	85-14	KNUCKLE, REAR SUSPENSION .....	60-8
HARNES, MAIN WIRING (FRONT) .....	40-2		
HARNES, MAIN WIRING (REAR) .....	40-4	L	
HARNES, SPORT LIGHT (OPS) .....	85-14	LABELS .....	90-2
HARNES, TAIL LIGHT WIRING .....	40-11	LABELS (BRAZILIAN) .....	90-12
HARNES, WIRING (EPAS) .....	40-5A	LABELS (CONTINUED) .....	90-4
HAZARD SWITCH (HOMOLOGATED) .....	89-2	LABELS (EXPORT) .....	90-10
HEAD LIGHT SWITCH (OPS) .....	85-16	LABELS (FRENCH CANADIAN) .....	90-6
HEAD, CYLINDER .....	20-12	LABELS (SPANISH) .....	90-8
HEAD, ENGINE CYLINDER (72" ROTARY BROOM) .....	93-2	LABELS (WINCH) .....	94-10
HEADLIGHT .....	80-4	LABELS (72" BLADE)	
HEADLIGHT ASSEMBLY (HOMOLOGATION) .....	89-10	(FRENCH/CANADIAN) .....	92-10
HEADLIGHT SWITCH (HOMOLOGATED) .....	89-2	LABELS (72" ROTARY BROOM) .....	93-30
HEADLIGHT, HOMOLOGATION .....	89-10	LABELS (72" ROTARY BROOM) (EXPORT) .....	93-32
HEAT SHIELD (WINCH) .....	94-12	LABELS, CARGO BOX PANELS .....	80-14
HEATER (CAB) .....	91-12	LANYARD, TAILGATE .....	80-12
HEATER KIT, BLOCK .....	20-26	LATCH, MANUAL LIFT (CARGO BOX) .....	80-18
HINGE, HOOD .....	80-4	LATCH, TAILGATE .....	80-12
HITCH, FRONT .....	89-8	LED STROBE LIGHT (OPS) .....	85-13
HOLDER, INPUT SHAFT BEARING .....	50-8	LEVER, DIFFERENTIAL LOCK .....	50-26
HOOD .....	80-4	LEVER, SEAT ADJUSTER .....	80-8
HOOD RACK .....	80-30	LEVER, SHIFT .....	50-24
HOOK STRAP (WINCH) .....	94-6	LICENSE PLATE BRACKET (HOMOLOGATED) .....	89-4
HORN KIT .....	40-13	LICENSE PLATE LIGHT (HOMOLOGATED) .....	89-4
HORN KIT (HOMOLOGATED) .....	89-5	LIFT FRAME (BLADE) .....	92-6
HOSE, AIR INTAKE .....	30-10	LIFT FRAME (72" ROTARY BROOM) .....	93-28
HOSE, CLUTCH AIR INTAKE .....	50-18	LIFT KIT (OPTIONAL) .....	80-22
HOSE, RADIATOR .....	20-20	LIFT SYSTEM, FRONT IMPLEMENT .....	92-8
HOURLY METER .....	40-2	LIFT, CARGO BOX (MANUAL) .....	80-18
HOUSING, CLUTCH .....	50-18	LIGHT KIT, ADVENTURE (OPTIONAL) .....	40-12
HOUSING, MFWD .....	50-2	LIGHT KIT, DELUXE .....	40-8
HOUSING, TRANSMISSION .....	50-8	LIGHT KIT, OPS .....	85-10
HOUSING, UPRIGHT (REAR SUSPENSION) .....	60-8	LIGHT KIT, PROJECTOR (OPTIONAL) .....	40-14
HYDRAULIC LIFT KIT (OPTIONAL) .....	80-22	LIGHT MATERIAL EXTENSION KIT .....	80-28
HYDRAULIC PUMP, MOTOR AND LINES		LIGHT, BEACON (CAB) .....	91-17
(72" ROTARY BROOM) .....	93-22	LIGHT, LICENSE PLATE (HOMOLOGATED) .....	89-4
I		LIGHT, TURN SIGNAL .....	40-8
IGNITION COIL (72" ROTARY BROOM) .....	93-16	LINES, FRONT BRAKE .....	60-6
IGNITION KEY .....	40-2	LINES, FUEL INJECTOR .....	30-6
IMPLEMENT LIFT ARM (BLADE) .....	92-6	LINES, FUEL PUMP .....	30-4
IMPLEMENT LIFT ARM (72" ROTARY BROOM) .....	93-28	LINES, REAR BRAKE .....	60-10
INDICATOR, AIR RESTRICTION .....	30-10	LINKAGE, GOVERNOR (72" ROTARY BROOM) .....	93-14
INJECTION LINES AND NOZZLE, FUEL .....	30-6	LINKAGE, SHIFT .....	50-24
INPUT SHAFT, MFWD .....	50-2	LINKAGE, THROTTLE AND CHOKE	
INPUT SHAFT, TRANSMISSION .....	50-10	(72" ROTARY BROOM) .....	93-14
INSTRUMENT PANEL .....	80-6		
INSULATOR, CARBURETOR (72" ROTARY BROOM) .....	93-9	M	
INTAKE VALVE (72" ROTARY BROOM) .....	93-6	MAIN BEARING, ENGINE (72" ROTARY BROOM) .....	93-4
ISOLATORS, ENGINE .....	20-24	MAIN FRAME .....	80-2
K		MAIN FRAME (72" ROTARY BROOM) .....	93-26
KEY, IGNITION .....	40-2	MAIN WIRING HARNESS (HOMOLOGATED) .....	89-2
KIT, BACK-UP ALARM .....	40-15	MAIN WIRING HARNESS (72" ROTARY BROOM) .....	93-24
		MANIFOLD, EXHAUST .....	30-14
		MANUAL LIFT, CARGO BOX .....	80-18



## ALPHABETICAL INDEX - CONTINUED

	PAGE		PAGE
MARKERS, PLOW.....	92-7	PROJECTOR LIGHT KIT (OPTIONAL) .....	40-14
MASTER CYLINDER, BRAKES .....	60-6	PROTECTION SYSTEM, OCCUPANT (OPS).....	85-2
MAT, BOX .....	80-25	PROTECTORS, TAILLIGHT .....	80-29
MFWD (ELECTRONIC) .....	50-2	PTO, FRONT .....	50-6
MIRRORS (CAB) .....	91-2	PULL STARTER (72" ROTARY BROOM).....	93-15
MODULE, RELAY (MAIN HARNESS) .....	40-2	PULLEY, RECOIL STARTER	
MODULE, WINCH .....	94-8	(72" ROTARY BROOM).....	93-15
MOTOR, HYDRAULIC (72" ROTARY BROOM).....	93-22	PULLEYS (72" ROTARY BROOM) .....	93-20
MOTOR, WINCH.....	94-4	PUMP, ENGINE OIL.....	20-16
MOUNTING BRACKETS, TRANSMISSION.....	50-22	PUMP, FUEL INJECTION .....	30-8
MOUNTING FLANGE, ENGINE .....	20-6	PUMP, WINDSHIELD WASHER (CAB) .....	91-16
MUD FLAPS .....	80-12	PUSH ROD, ENGINE (72" ROTARY BROOM) .....	93-6
MUD FLAPS, FRONT .....	80-4	PUSHROD .....	20-8
MUFFLER (72" ROTARY BROOM) .....	93-12		
MUFFLER AND HEAT SHIELD .....	30-12	Q	
MUFFLER GUARD (72" ROTARY BROOM) .....	93-12	QUADRANT, SHIFT .....	80-8
N		R	
NEGATIVE BATTERY CABLE .....	40-1	RACK TOOL .....	80-20
NOISE REDUCTION KIT (CAB) .....	91-20	RACK, HOOD .....	80-30
NOZZLE, FUEL INJECTOR.....	30-6	RACK, STEERING.....	60-2
		RACK, STEERING (EPAS).....	60-3A
O		RADIATOR.....	20-20
OCCUPANT PROTECTION SYSTEM (OPS).....	85-2	RANGE SHIFT, TRANSMISSION .....	50-14
OIL FILTER, ENGINE .....	20-14	REAR AXLE SHAFT .....	50-28
OIL PAN, ENGINE .....	20-14	REAR AXLE SHAFT .....	50-29
OIL PRESSURE SWITCH .....	20-14	REAR BUMPER KIT .....	80-27
OIL PUMP, ENGINE.....	20-16	REAR HITCH (2 INCH).....	94-3
OPERATOR PRESENCE SWITCH		REAR PANEL, OPS .....	85-4
(72" ROTARY BROOM) .....	93-18	REAR SCREEN (OPS) .....	85-9
OPS GLASS WINDSHIELD KIT		REAR WINDOW (CAB).....	91-14
(-XXXXXX) .....	85-1	REAR WORK LIGHTS (CAB).....	91-19
OPS GLASS WINDSHIELD KIT		RECOIL STARTER (72" ROTARY BROOM) .....	93-15
(XXXXXX- ) .....	85-1A	REDUCTION SHAFT, TRANSMISSION .....	50-12
OPS LIGHT KIT .....	85-10	REEL, RECOIL STARTER (72" ROTARY BROOM).....	93-15
OPS REAR PANEL AND DOORS .....	85-4	REFLECTOR, ROUND (EUROPEAN).....	89-9
OPS STEREO KIT .....	85-8	REFLECTORS, CARGO BOX .....	80-12
OUTLET, 12V POWER (CONSOLE BIN) .....	80-8	RELAY, AUDIBLE ALARM .....	40-4
		RELAYS (72" ROTARY BROOM) .....	93-24
P		REMAN ALTERNATOR 12V-40A .....	40-6
PADS, FRONT BRAKE .....	60-6	REMAN STARTER MOTOR .....	40-10
PADS, REAR BRAKE .....	60-10	RESERVOIR, BRAKE FLUID .....	60-6
PAN, ENGINE OIL .....	20-14	RESERVOIR, WASHER (CAB).....	91-16
PANEL, REAR (CAB).....	91-15	REVERSE SHAFT, TRANSMISSION .....	50-11
PANELS, CARGO BOX SIDE .....	80-12	RIM, TIRE .....	80-16
PANELS, CARGO BOX TRIM.....	80-14	RINGS, PISTON (72" ROTARY BROOM).....	93-4
PARK BRAKE .....	60-14	ROCKER ARM SHAFT .....	20-11
PEDAL, BRAKE .....	60-6	ROCKER ARM, ENGINE (72" ROTARY BROOM) .....	93-6
PEDAL, GAS.....	30-1	ROCKER COVER, ENGINE (72" ROTARY BROOM) .....	93-2
PERFORMANCE SHOCKS (OPTIONAL) .....	60-16	ROD, CENTER CONSOLE SUPPORT.....	80-8
PIPE, EXHAUST .....	30-12	ROD, CONNECTING .....	20-4
PISTON (72" ROTARY BROOM).....	93-4	ROD, CONNECTING (72" ROTARY BROOM) .....	93-4
PISTONS AND RINGS .....	20-4	ROD, HARNESS SUPPORT .....	40-4
PIVOT, GEAR SHIFT .....	50-24	ROD, PUSH, ENGINE (72" ROTARY BROOM) .....	93-6
PLATE, HOMOLOGATION HEADLIGHT.....	89-10	ROD, RELEASE (CARGO BOX) .....	80-18
PLATE, RECEIVER MOUNT (REAR MOUNT WINCH).....	94-6	ROD, SHIFT LINKAGE .....	50-24
PLATE, WINCH MOUNT (BUMPER).....	94-4	ROLLER FAIRLEAD, WINCH .....	94-6
PLOW MARKERS.....	92-7	ROOF KIT (OPS) .....	85-12
POSITIVE BATTERY CABLE .....	40-1	ROPE, RECOIL STARTER (72" ROTARY BROOM) .....	93-15
POWER OUTLET .....	40-2	ROTORS, FRONT BRAKE .....	60-6
POWER WIRING HARNESS (72" ROTARY BROOM).....	93-18	ROTORS, REAR BRAKE .....	60-10

## ALPHABETICAL INDEX - CONTINUED

	PAGE	PAGE
<b>S</b>		
SCREEN, REAR (OPS).....	85-9	
SEAL, CRANKSHAFT (72" ROTARY BROOM).....	93-2	
SEAL, REAR CLOSEOUT PANEL.....	50-4	
SEAL, REAR CRANKSHAFT.....	20-6	
SEAT.....	80-8	
SEAT (BENCH).....	80-10	
SEAT BELT (CAB).....	91-2	
SEAT PLATFORM (HOMOLOGATED).....	89-7	
SEAT WIRING HARNESS (72" ROTARY BROOM).....	93-18	
SENSOR, ENGINE OIL PRESSURE.....	20-14	
SHAFT, DIFFERENTIAL LOCK.....	50-16	
SHAFT, DRIVE (MFWD TO TRANSMISSION).....	50-4	
SHAFT, FRONT AXLE.....	50-1	
SHAFT, FRONT PTO.....	50-6	
SHAFT, MFWD INPUT.....	50-2	
SHAFT, REAR AXLE.....	50-28	
SHAFT, REAR AXLE.....	50-29	
SHAFT, ROCKER ARM.....	20-11	
SHAFT, STEERING.....	60-2	
SHAFT, STEERING (EPAS).....	60-3A	
SHAFT, TRANSMISSION INPUT.....	50-10	
SHAFT, TRANSMISSION RANGE SHIFT.....	50-14	
SHAFT, TRANSMISSION REDUCTION.....	50-12	
SHAFT, TRANSMISSION REVERSE.....	50-11	
SHIELD, FRONT CV BOOT.....	60-4	
SHIELD, HEAT (WINCH).....	94-12	
SHIELD, MUFFLER HEAT.....	30-12	
SHIELD, REAR CV BOOT.....	60-8	
SHIFT LEVER, KNOB AND LINKAGE.....	50-24	
SHOCK ABSORBER, FRONT.....	60-4	
SHOCK ABSORBER, REAR SUSPENSION.....	60-8	
SHOCKS, PERFORMANCE (OPTIONAL).....	60-16	
SHORT BLOCK (72" ROTARY BROOM).....	93-2	
SHORT BLOCK, ENGINE.....	20-2	
SHROUD, FAN.....	20-20	
SHUTOFF, FUEL (72" ROTARY BROOM).....	93-13	
SKID PLATE.....	80-2	
SOLENOID, MFWD.....	50-2	
SPARK ARRESTOR (72" ROTARY BROOM).....	93-12	
SPARK PLUG (72" ROTARY BROOM).....	93-16	
SPORT LIGHT HARNESS (OPS).....	85-14	
SPRING, VALVE (72" ROTARY BROOM).....	93-6	
STABILIZER, REAR SUSPENSION.....	60-8	
STARTER.....	40-10	
STARTER, RECOIL (72" ROTARY BROOM).....	93-15	
STEERING KNUCKLE.....	60-4	
STEERING WHEEL AND SHAFT.....	60-2	
STEERING WHEEL AND SHAFT (EPAS).....	60-3A	
STEREO KIT, OPS.....	85-8	
STORAGE BIN, CENTER CONSOLE.....	80-8	
STORAGE BOX.....	94-13	
STRAIGHT BLADE.....	92-4	
STRAP, BATTERY HOLD DOWN.....	40-1	
STRAP, RADIATOR SUPPORT.....	20-20	
STUD, CARBURETOR MOUNTING (72" ROTARY BROOM).....	93-9	
SUPPORT PLATE, (REAR MOUNT WINCH).....	94-6	
SWITCH BEACON LIGHT (OPS).....	85-13	
SWITCH, BACK-UP ALARM.....	40-15	
SWITCH, COOLANT TEMPERATURE.....	20-18	
SWITCH, DIFFERENTIAL LOCK.....	40-2	
SWITCH, HEADLIGHT.....	40-2	
SWITCH, HORN.....	40-13	
SWITCH, HORN (HOMOLOGATED).....	89-5	
SWITCH, IGNITION.....	40-2	
		SWITCH, NEUTRAL START..... 50-14
		SWITCH, OIL PRESSURE..... 20-14
		SWITCH, THERMAL..... 20-20
		SWITCH, THROTTLE..... 40-2
		SWITCH, WINDSHIELD WASHER (CAB)..... 91-16
		SWITCHES (HOMOLOGATED)..... 89-2
		SWITCHES (72" ROTARY BROOM)..... 93-18
<b>T</b>		
		TAIL LIGHT..... 40-11
		TAIL/BRAKE LIGHT KIT..... 40-16
		TAILGATE..... 80-12
		TAILLIGHT PROTECTORS..... 80-29
		TANK, COOLANT OVERFLOW..... 20-20
		TANK, FUEL..... 30-2
		TANK, FUEL (72" ROTARY BROOM)..... 93-13
		THERMOSTAT..... 20-18
		THROTTLE AND CHOKE CONTROLS (72" ROTARY BROOM)..... 93-14
		THROTTLE CABLE..... 30-1
		TIRES AND WHEELS..... 80-16
		TOOL RACK..... 80-20
		TRACTION DRIVE (72" ROTARY BROOM)..... 93-20
		TRAILER CONNECTOR (HOMOLOGATED)..... 89-4
		TRANSMISSION..... 50-8
		TRAY, BATTERY..... 40-1
		TRIM PANELS, CARGO BOX..... 80-14
		TUBE, COOLANT..... 20-20
		TUNNEL COVER..... 80-6
		TURN LIGHT, HOMOLOGATION..... 89-10
		TURN SWITCH (HOMOLOGATED)..... 89-2
<b>U</b>		
		UTILITY BOX..... 80-6
<b>V</b>		
		V-BLADE, MOUNTING BRACKETS, AND MOLDBOARDS..... 92-2
		VALVE COVER (72" ROTARY BROOM)..... 93-2
		VALVE SPRING (72" ROTARY BROOM)..... 93-6
		VALVE, COOLANT DRAIN..... 20-18
		VALVE, FUEL SHUTOFF (72" ROTARY BROOM)..... 93-13
		VALVES, INTAKE AND EXHAUST..... 20-12
		VALVES, INTAKE AND EXHAUST (72" ROTARY BROOM)..... 93-6
		VISOR (CAB)..... 91-2
		VOLTAGE REGULATOR..... 40-6
<b>W</b>		
		WATER PUMP..... 20-18
		WHEEL, STEERING..... 60-2
		WHEEL, STEERING (EPAS)..... 60-3A
		WHEELS (72" ROTARY BROOM)..... 93-26
		WHEELS AND TIRES..... 80-16
		WINCH..... 94-4
		WINDSHIELD, GLASS, OPS (-XXXXXX)..... 85-1
		WINDSHIELD, GLASS, OPS (XXXXXX-)..... 85-1A

## ALPHABETICAL INDEX - CONTINUED

	<i>PAGE</i>	<i>PAGE</i>
WINDOW, REAR (CAB).....	91-14	
WINDOW, SIDE (HARD) (CAB).....	91-8	
WINDOW, SIDE (SOFT) (CAB) (EXPORT).....	91-10	
WINDSHIELD KIT (CAB).....	91-4	
WINDSHIELD KIT, FULL (FOLDING) (OPS) (-XXXXXX).....	85-6	
WINDSHIELD KIT, FULL (FOLDING) (OPS) (XXXXXX-).....	85-6A	
WINDSHIELD KIT, HALF (FOLDING) (OPS) (-XXXXXX).....	85-6B	
WINDSHIELD KIT, HALF (FOLDING) (OPS) (XXXXXX-).....	85-7	
WINDSHIELD WASHER (CAB).....	91-16	
WIRING HARNESS (CAB).....	91-2	
WIRING HARNESS, (EPAS).....	40-5A	
WIRING HARNESS, HORN.....	40-13	
WIRING HARNESS, LICENSE PLATE JUMPER (HO MOLOGATED).....	89-12	
WIRING HARNESS, MAIN (FRONT).....	40-2	
WIRING HARNESS, MAIN (HOMOLOGATED).....	89-2	
WIRING HARNESS, MAIN (REAR).....	40-4	
WIRING HARNESS, TAIL LIGHT.....	40-11	
WORK LIGHT (ROOF)(OPS).....	85-16	
WORK LIGHTS, FRONT (CAB).....	91-18	
WORK LIGHTS, REAR (CAB).....	91-19	

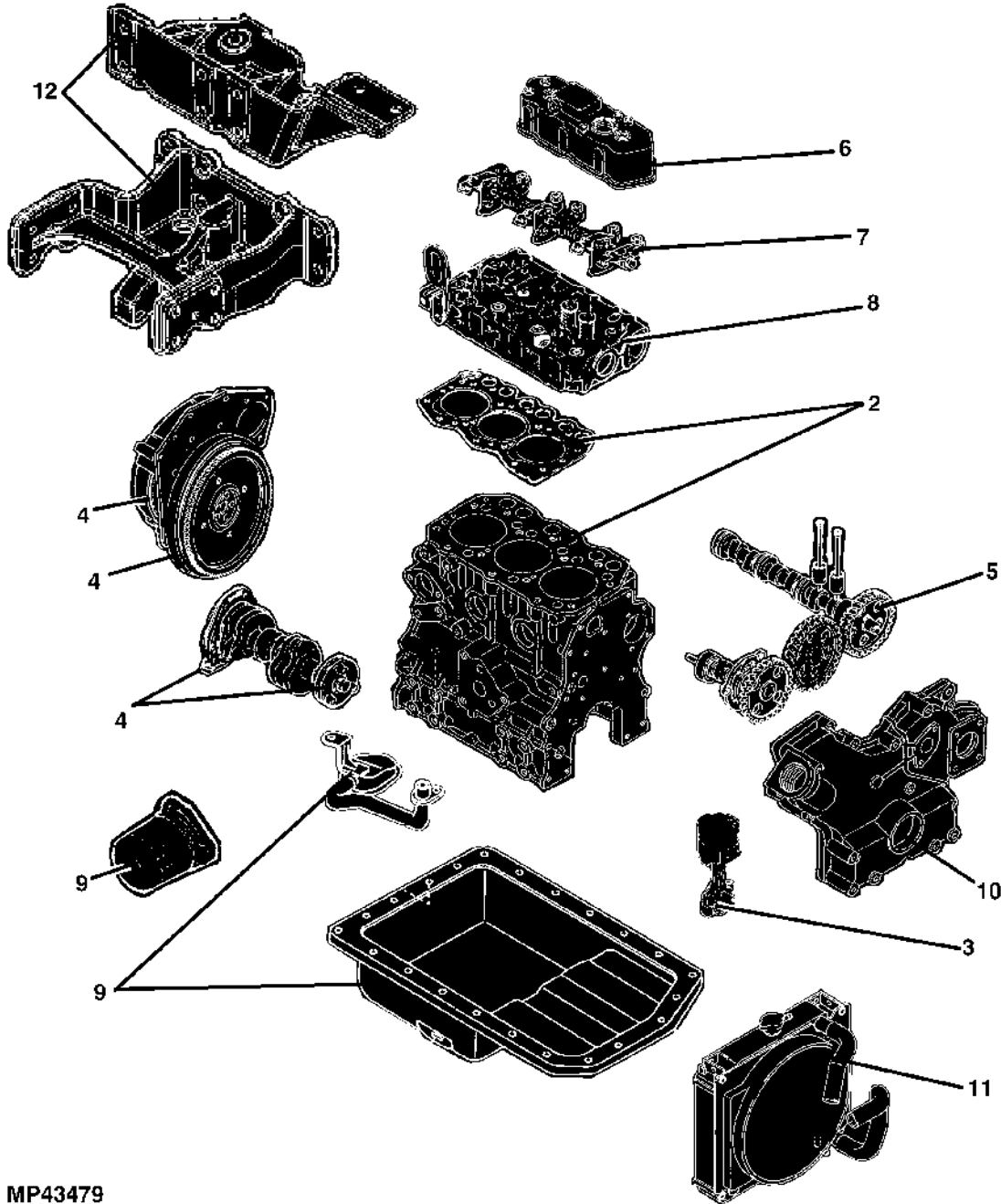
# 20-A01

ENGINE

SECTIONAL INDEX  
 INDEX DE SECTION  
 GRUPPENINDEX  
 INDICE DELLA SEZIONE  
 INDICE DE SECCION  
 GRUPPSFORTECKNING

MP43479 -UN-

2-	2
3-	4
4-	6
5-	8
6-	10
7-	11
8-	12
9-	14
10-	16
11-	20
12-	24



MP43479