

**TH 6X4 Gator™
Utility Vehicle
(Diesel)**



JOHN DEERE

PARTS CATALOG

**TH 6X4 Gator™
Utility Vehicle (Diesel)**

PC9602 (Jun-11) English

John Deere Horicon Works

Worldwide Edition

Litho in U.S.A (Revised)

COPYRIGHT © 2011

DEERE & COMPANY

Moline, Illinois

All rights reserved

10-A01

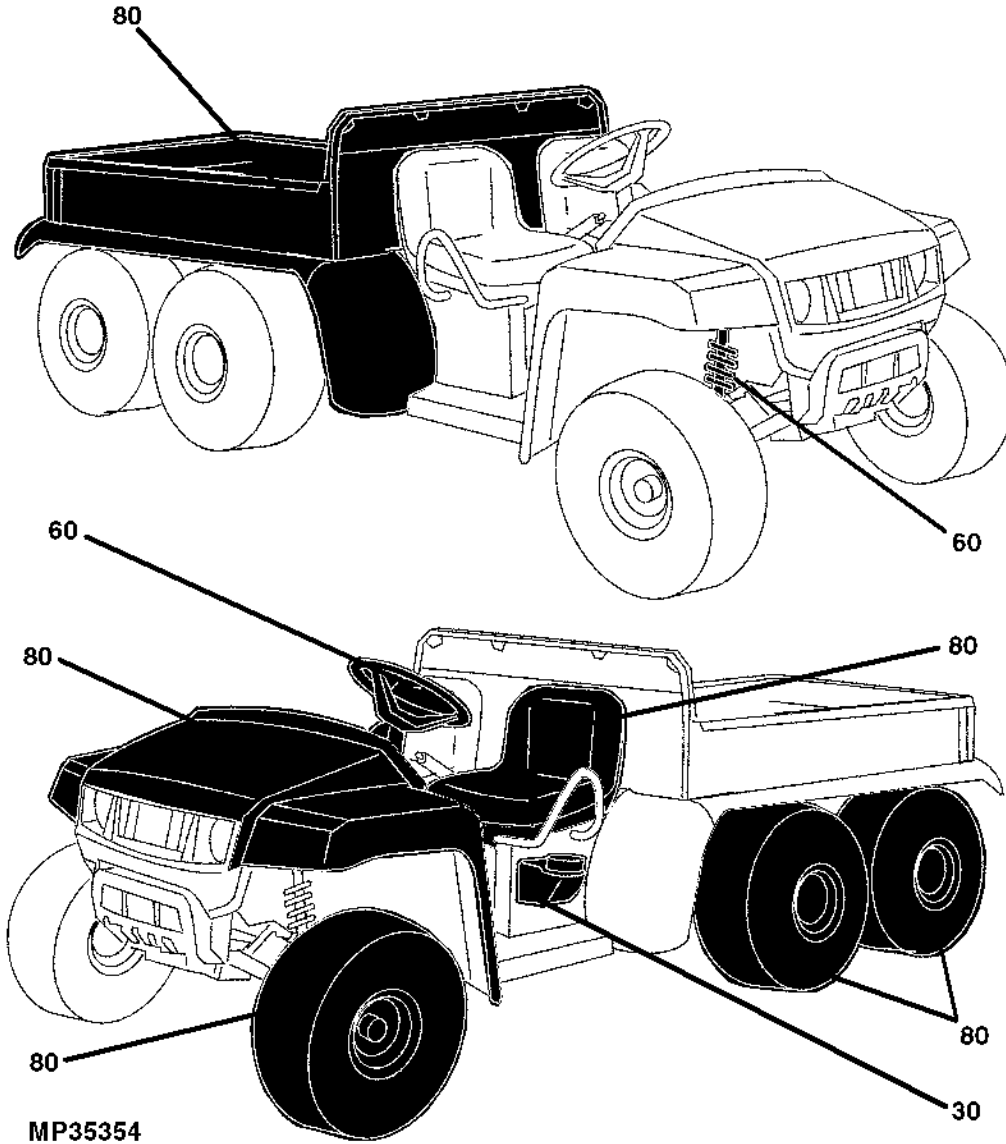
TH 6X4 GATOR UTILITY VEHICLE (DIESEL)

PRIMARY INDEX - SECTION 30,60,80
 INDEX PRINCIPAL - SECTION 30,60,80
 HAUPTINDEX - ABSCHNITT 30,60,80
 INDICE PRINCIPALE - SEZIONE 30,60,80
 INDICE DE MATERIAS - SECCION 30,60,80
 HUVUDFORTECKNING - AVSNITT 30,60,80

20-	1
30-	1
40-	1
50-	1
60-	1
80-	1
91-	1

MP35354

-UN-



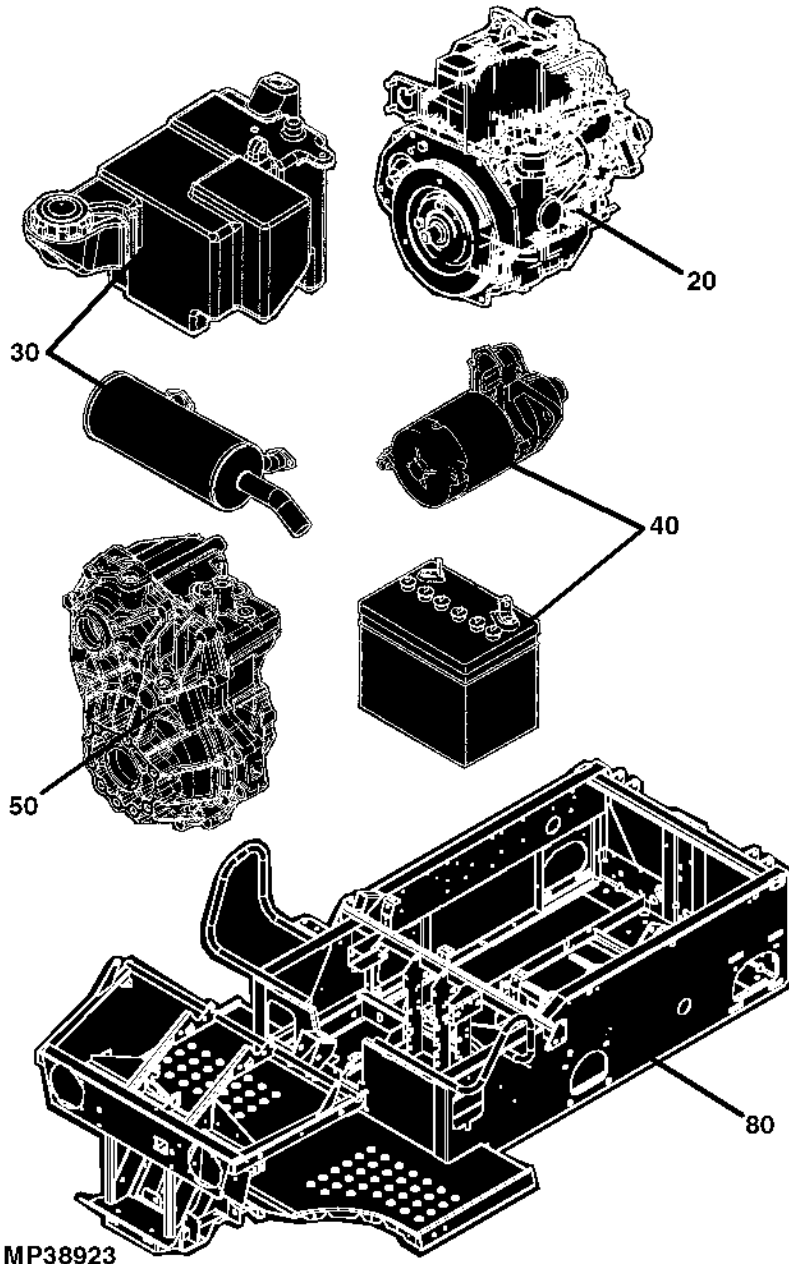
10-A02

TH 6X4 GATOR UTILITY VEHICLE (DIESEL)

PRIMARY INDEX - SECTION 20,30,40,50,80
 INDEX PRINCIPAL - SECTION 20,30,40,50,80
 HAUPTINDEX - ABSCHNITT 20,30,40,50,80
 INDICE PRINCIPALE - SEZIONE 20,30,40,50,80
 INDICE DE MATERIAS - SECCION 20,30,40,50,80
 HUVUDFORTECKNING - AVSNITT 20,30,40,50,80

MP38923 -UN-

20-	1
30-	1
40-	1
50-	1
60-	1
80-	1
91-	1



MP38923

**Thanks very much for your reading,
Want to get more information,
Please click here, Then get the complete
manual**

JustClickHere 

NOTE:

**If there is no response to click on the link above,
please download the PDF document first, and then
click on it.**

**Have any questions please write to me:
admin@servicemanualperfect.com**

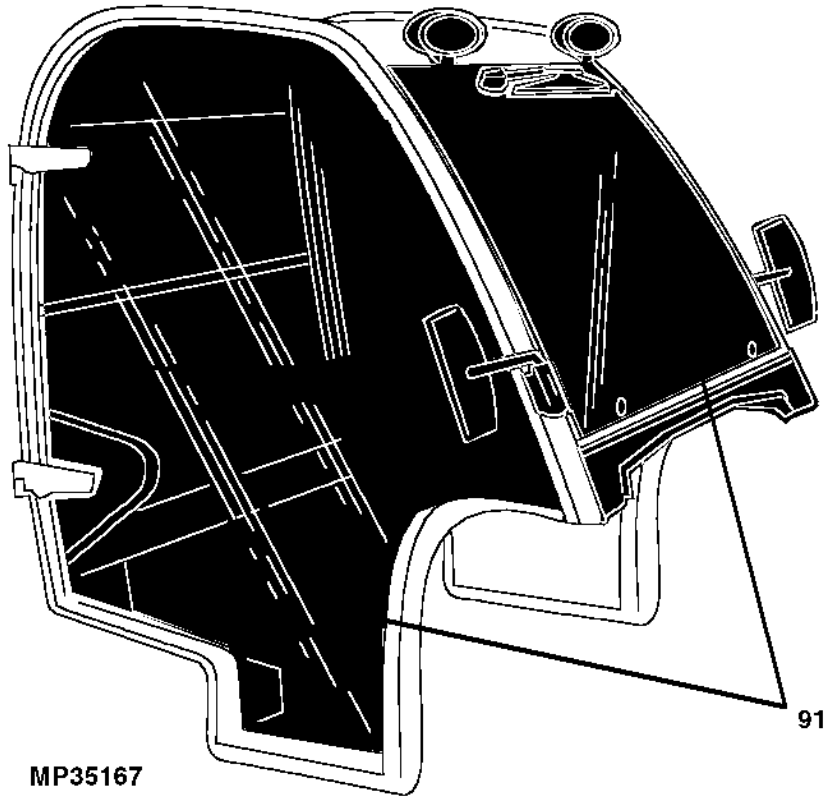
10-A03

TH 6X4 GATOR UTILITY VEHICLE (DIESEL)

PRIMARY INDEX - SECTION 91
INDEX PRINCIPAL - SECTION 91
HAUPTINDEX - ABSCHNITT 91
INDICE PRINCIPALE - SEZIONE 91
INDICE DE MATERIAS - SECCION 91
HUVUDFORTECKNING - AVSNITT 91

MP35167 -UN-

20-	1
30-	1
40-	1
50-	1
60-	1
80-	1
91-	1



10-A04

TH 6X4 GATOR UTILITY VEHICLE (DIESEL)

MEMORANDA

MP34355

-UN-06OCT04



TH 6X4 GATOR UTILITY VEHICLE (DIESEL) (LESS TIRES)

2006 MODEL (SN W06X4DD001001-001162)

2007 MODEL (SN W06X4DD001163-002230)

2007 MODEL (SN W06X4DE001215-002230) (EXPORT)

2008 MODEL (SN W06X4DD003001-040000)

2008 MODEL (SN W06X4DE003001-040000) (EXPORT)

2009 MODEL (SN M06X4DD040001-050000)

2009 MODEL (SN M06X4DE040001-050000) (EXPORT)

2010 MODEL (SN M06X4DD050001-060000)

2010 MODEL (SN M06X4DE050001-060000) (EXPORT)

2010 MODEL (SN M06X4DB050001-060000) (BRAZIL)

2011 MODEL (SN 1M06X4DD++M060001-)

2011 MODEL (SN 1M06X4DE++M060001-) (EXPORT)

2011 MODEL (SN 1M06X4DB++M060001-) (BRAZIL)

(SPECIFICATIONS AND DESIGN SUBJECT TO CHANGE WITHOUT NOTICE)

TRANSLATED REMARKS

MP30119 -UN-18DEC02

PHRASE	ENGLISH	FRANCAIS	DEUTSCH	ITALIANO	ESPAÑOL	SVENSKA
ALSO ORDER, ORD W/	Also order	Commander aussi	Ebenso bestellen	Ordinare anche	Pedir también	Beställ även
AMP	Ampere	Ampère	Ampere	Ampere	Amperio	Ampere
AND	And	Et	Und	E	Y	Och
APPL, APPL ONLY	This application only	Uniquement pour cette utilisation	Nur für diese Anwendung	Solo per questa applicazione	Solo para este propósito	Endast för denna användning
AR	As required	Selon le besoin	Nach Bedarf	Secondo necessità	Según necesidad	Vid behov
ASSY	Complete assembly	Ensemble complet	Kompl.-Zusammenbau	Gruppo completo	Montaje completo	Komplett montering
CA, CONVENIENCE ASSY	Convenience assembly	Ensemble convenance	Komfort-Zusammenbau	Montaggio pratico	Montaje de conveniencia	Lämplig montering
CCW	Counter-clockwise	Sens anti-horaire	Gegen Uhrzeigersinn	Senso antiorario	A la izquierda	Moturs
COMPLETE	Complete	Complet	Vollständig	Completo	Completo	Fullständig
COMPLETE GOODS	Complete goods	Compléter marchandises	Vollst. Waren	Merci complete	Mercancías completas	Kompleta varor
CUT TO LENGTH	Cut to length	Couper à la longueur	Auf Länge zurechtschneiden	Tagliare alla lunghezza	Corte a la longitud	Skära till längd
CW	Clockwise	Sens horaire	Im Uhrzeigersinn	In senso orario	A la derecha	Medurs
FOR	For	Pour	Für	Per	Para	För
FRONT	Front	Avant	Vorn	Anteriore	Frente	Fram
GAS	Gasoline	Essence	Benzin	Benzina	Gasolina	Bensin
HP	Horsepower	Puissance en cv	Leistung	Potenza	Potencia	Hästkraft
HS, HEAD MARKED	High strength, head marked	Haute résistance, tête marquée	Hochfest, vorn gekennzeichnet	Contrassegnato in testa, ad alta resistenza	Alta fuerza, marca en cabeza	Hög styrka, huvudmärkt
HS, SAE	High strength, SAE rating	Haute résistance, SAE	Hochfest, SAE-Nennwert	Ad alta resistenza, potenza SAE	Alta fuerza, SAE	Hög styrka, SAE
ID	Inside diameter	Diamètre intérieur	Innendurchmesser	Diametro interno	Diá. interior	Innerdiameter
INCH	Inch	Pouce	In.	Pollice	Pulg.	Tum
INCL KEYS	Includes keys...	Comprend les positions...	Einschließlich Schlüssel...	Include le chiavette...	Incluye posiciones...	Inklusive nycklar...
INCL, INCLUDES	Includes...	Comprend...	Enthält...	Include...	Incluye...	Inkluderar...
INCLUDES PARTS/ ITEMS MARKED	Includes parts/items marked...	Comprend les pièces/articles marqués...	Enthält gekennzeichnete Teile/Pos. ...	Include i pezzi e gli elementi contrassegnati...	Incluye piezas marcadas...	Inkluderar markerade delar/artiklar...
INNER	Inner	Intérieur	Innerer	Interno	Interno	Inre, invändig
KIT	Kit	Kit	Kit	Kit	Juego	Sats
L	Number of links	Nombre de maillons	Anzahl der Glieder	Numero di maglie	Nº de eslabones	Antal länkar
LGTH	Length	Longueur	Länge	Lunghezza	Longitud	Längd
LH	Left-hand	Gauche	Links	Sinistra	Izquierda	Vänster
LOW, LOWER	Lower	Inférieur	Unterer	Inferiore	Inferior	Nedre

MP30119

TRANSLATED REMARKS

MP30120

-UN-18DEC02

PHRASE	ENGLISH	FRANCAIS	DEUTSCH	ITALIANO	ESPAÑOL	SVENSKA
MAKE FROM, MF	Make from	Faireavec	Herstellen von	Fabbricare da	Hacer de	Tillverka av
MARKED	Marked	Marqué	Markiert	Contrassegnato	Marcado	Märkt
MATCHED SET	Matched set	Ensemble assorti	Passender Satz	Set abbinato	Sistema emparejado	Anpassad sats
MFWD	Mechanical front wheel drive	Traction avant mécanique	Mechanischer Frontradantrieb	Trazione anteriore meccanica	Tracción mecánica delantera	Mekanisk framhjulsdraft
MRWD	Mechanical rear wheel drive	Traction arrière mécanique	Mechanischer Hinterradantrieb	Trazione posteriore meccanica	Tracción mecánica trasera	Mekanisk bakhjulsdraft
NA, NOT USED THIS APPL	Not used this application	Ne sert pas pour cette application	In dieser Anwendung nicht benutzt	Non usato in questa applicazione	No se usa en esta aplicación	Ej använd i detta sammanhang
NLA	No longer available	Epuisé	Nicht mehr lieferbar	Non più disponibile	Descontinuado	Ej längre tillgänglig
NSEP	Not supplied separately	Non livré séparément	Nicht einzeln lieferbar	Non fornito separatamente	No se suministra por separado	Kan ej erhållas separat
OD	Outside diameter	Diamètre extérieur	Außerdurchmesser	Diametro esterno	Diá. exterior	Ytterdiameter
OPTIONAL	Optional	En option	Wahlweise	Opzionale	Opcional	Valfri
OR	Or	Ou	Oder	Oppure	O	Eller
ORD, ORDER	Order	Commander	Bestellen	Ordinare	Pídase	Order
OS	Oversize	Sur-dimension	Übergröße	Maggiorato	Sobretamaño	Överdimension
OUTER	Outer	Externe	Äußerer	Esterno	Externo	Yttre, utvändig
PKG, PACKG	Package, Packet of	Emballage, paquet de	Verpackung, verpackt mit	In confezione da	Paquete de	I sats; paket
RATIO	Ratio	Rapport	Übersetzungsverhältnis	Rapporto	Índice	Förhållande
REAR	Rear	Arrière	Hinten	Posteriore	Trasero	Bak; bakre
REPL	Replaces	Remplace	Ersetzt	Sostituisce	Sustituye	Ersätter
RH	Right-hand	Droit	Rechts	Destra	Derecha	Höger
SN	Serial number	Numéro de série	Seriennummer	Numero di serie	Nº de serie	Seriennummer
STD	Standard	Standard	Standard	Standard	Normal	Standard
SUB	Replaced by	Remplacé par	Ersetzt durch	Sostituito da	Sustituido por	Ersatt med
SUB COMPONENTS	Substitute components (of the kit or assy)	Substituer les composants (du kit ou de l'ensemble)	Komponenten ersetzen (des Kits oder der Baugruppe)	Sostituire i componenti (del kito del gruppo)	Sustituir los componentes	Ersätta komponenterna (i satsen eller monteringen)
SUB FOR	Substitutes for	Remplace	Ersatz für	Sostituisce	Sustitución para	Ersätter
TEETH, Z	Number of gear teeth	Nombre de dents d'engrenages	Zahl der Zahnradzähne	Numero di denti dell'ingranaggio	Nº de dientes de engranaje	Antal redskapständer
TK	Thickness	Épaisseur	Stärke	Spessore	Espesor	Tjocklek
UP, UPPER	Upper	Supérieur	Oberer	Superiore	Superior	Övre
US	Undersize	Sous-dimension	Untergröße	Minorato	Subtamaño	Underdimension
USE WITH	Use with	À utiliser avec	Verwenden mit	Usare con	Usar con	Använd med
USE UNTIL EXHAUSTED	Use until exhausted	Utilisation jusqu'à épuisé	Verwenden, bis erschöpft	Usare fino all'esaurimento	Usar hasta agotar	Använda till uttömd
W/	With	Avec	Mit	Con	Con	Med; inklusive
W/O	Without	Sans	Ohne	Senza	Sin	Utan; exklusiv
WHOLE GOODS	Whole goods	Marchandises entières	Vollständige Waren	Merci intere	Mercancías enteras	Hela varor

MP30120

PRODUCT IDENTIFICATION AND SERIAL NUMBER PLATE

AN INDIVIDUAL PRODUCT IDENTIFICATION AND SERIAL NUMBER IS ASSIGNED TO EACH MACHINE. WHEN WRITING ABOUT OR FILLING OUT WARRANTY CLAIMS, USE ALL THE CHARACTERS SHOWN ON THE PLATE.

EXAMPLE: W06X4DD001001

W0- FACTORY DESIGNATION (WELLAND WORKS)
6X4D- MODEL OR MACHINE DESIGNATION
6X4 GATOR UTILITY VEHICLE
D- CONFIGURATION CODE
001001- SERIAL NUMBER

EXAMPLE: 1M06X4DD++M060001

1M0- FACTORY DESIGNATION (HORICON WORKS)
6X4D- MODEL OR MACHINE DESIGNATION
6X4 GATOR UTILITY VEHICLE
D- CONFIGURATION CODE
+- RANDOM NUMBER
M- CALENDER YEAR
060001- SERIAL NUMBER

PRODUCT CONFIGURATION CODE

THE CONFIGURATION "ALPHA" CODE IDENTIFIES A VARIATION OF A PRODUCT. (EXAMPLE: A 116 LAWN TRACTOR MAY BE MANUFACTURED AS A HYDROSTATIC OR MANUAL UNIT, AND BE SHIPPED WITH A 970MM OR 1170MM MOWER. FOUR VARIATIONS OF THE 116 LAWN TRACTOR EXIST.)

IT ALSO IDENTIFIES DIFFERENT PRODUCTS WHICH HAVE THE SAME MODEL OR MACHINE DESIGNATION. (EXAMPLE: 216 TRACTOR AND 216 TILLER)

IF NO CONFIGURATION "ALPHA" CODE IS REQUIRED, SPACE IS FILLED IN WITH AN "X".

SERIAL NUMBER LISTING INFORMATION

SERIAL NUMBER INFORMATION IS LISTED TO SHOW ON WHICH MACHINES EACH PART CAN BE USED; FOR EXAMPLE:

- THE PART CAN BE USED ON ALL MACHINES.
000000 - THE PART CAN BE USED ON ALL MACHINES BEGINNING WITH THE SERIAL NUMBER LISTED.
-000000 THE PART CAN BE USED ON ALL MACHINES UP TO AND INCLUDING THE SERIAL NUMBER LISTED.
000000 -000000 THE PART CAN BE USED ON ALL MACHINES BETWEEN AND INCLUDING THE SERIAL NUMBERS LISTED.

WHEN XXXXXX'S ARE LISTED IN PLACE OF A SERIAL NUMBER, A SERIAL NUMBER CHANGE WAS MADE, BUT THE EXACT SERIAL NUMBER WAS NOT AVAILABLE WHEN THE CATALOG WAS PRODUCED.

BOX-ENCLOSED ILLUSTRATIONS

A KEY NUMBER, SHOWN IN THE PARTS LIST, IS ASSIGNED TO A BOX ENCLOSING ALL PARTS SOLD AS A SERVICE ASSEMBLY.

BOLT AND CAP SCREW STRENGTH IDENTIFICATION

BOLTS AND CAP SCREWS REQUIRED TO HAVE HIGH-STRENGTH QUALITIES EQUIVALENT TO SAE GRADE 8 ARE IDENTIFIED THROUGHOUT THIS CATALOG BY THE DESCRIPTION HS SAE 8 (10.9 FOR METRIC). ALL STANDARD BOLTS AND CAP SCREWS ARE SAE GRADE 5 (METRIC 8.8) OR LOWER.

WHOLE GOODS LISTINGS

WHOLE GOODS ARE LISTED IN BOLD FACE TYPE. REFER TO LAWN AND GROUNDS CARE SALES MANUAL FOR WHOLE GOODS ORDERING INFORMATION. ORDER SEPARATELY. DO NOT INCLUDE ON REPLACEMENT PARTS ORDER.

DIRECTION ARROW

ARROWS ARE USED WITH ILLUSTRATIONS TO INDICATE THE FRONT OF THE UNIT. "RIGHT-HAND" AND "LEFT-HAND" SIDES ARE DETERMINED BY FACING IN THE DIRECTION OF MACHINE FORWARD TRAVEL.

TO THE CUSTOMER

THE PART NUMBERS IN THIS PARTS CATALOG WERE CORRECT AT THE TIME THIS CATALOG WAS PUBLISHED. IT IS OUR POLICY TO CONSTANTLY IMPROVE OUR MACHINES. THEREFORE, PART NUMBERS MAY CHANGE WHEN ORDERING PARTS. VERIFY PART NUMBERS THROUGH YOUR DEALER.

SECTION INDEX

GENERAL INFORMATION AND ALPHABETICAL INDEX	10
ENGINE	20
FUEL AND AIR	30
ELECTRICAL	40
POWER TRAIN	50
STEERING AND BRAKES	60
FRAME, WHEELS AND OPERATOR'S STATION	80
HOMOLOGATION KIT	89
LABELS	90
CAB	91
BLADES	92
ATTACHMENTS	94
NUMERICAL INDEX	95

ALPHABETICAL INDEX

	PAGE		PAGE
A			
A-ARM	60-2	CAP, RADIATOR (SN XXXXXX-)	20-22
ACTUATOR, CARGO BOX POWER LIFT (SN -050000)	80-8	CAP, TRANSAXLE FILLER	50-2
ACTUATOR, CARGO BOX POWER LIFT (SN 050001-)	80-9A	CARGO BOX (SN -050000)	80-6
ADJUSTABLE SEAT BASE (OPTIONAL)	80-3	CARGO BOX (SN 050001-)	80-7A
AIR CLEANER	30-10	CARGO BOX (SN 050001-)	80-7C
ALARM, BACK-UP KIT (SN -050000)	40-18	CARGO BOX DIVIDER KIT	80-31
ALARM, BACK-UP KIT (SN 050001-)	40-19	CARGO BOX LIFT, MANUAL (SN 050001-)	80-9C
ALTERNATOR (40 AMP)	40-6	CARGO BOX LIFT, POWER (SN -050000)	80-8
ARM, TRANSAXLE SHIFT	50-4	CARGO BOX LIFT, POWER (SN 050001-)	80-9A
AXLE, REAR	50-14	CASE, DIFFERENTIAL	50-7
B			
BACK-UP ALARM KIT (SN -050000)	40-18	CASE, TRANSAXLE	50-2
BACK-UP ALARM KIT (SN 050001-)	40-19	CHAIN GUARD (OPTIONAL)	50-15
BASE, SEAT	80-4	CHAIN, DRIVE	50-14
BATTERY AND HOLD DOWN STRAP	40-4	CHASSIS	80-2
BATTERY AND HOLD DOWN STRAP (AUXILIARY BATTERY KIT)	40-5	CHOKE CABLE	30-12
BATTERY CABLE, POSITIVE AND NEGATIVE	40-4	CLUTCH COVER	50-16
BATTERY CABLE, POSITIVE AND NEGATIVE (AUXILIARY BATTERY KIT)	40-5	CLUTCH, PRIMARY DRIVE	50-17
BEACON LIGHT KIT	91-18	CLUTCH, TRANSAXLE DRIVEN	50-18
BEACON LIGHT KIT (CAB)	91-13	CONNECTING ROD	20-4
BEDLINER KIT	80-18	CONNECTOR, TRAILER (SN -050000) (EUROPEAN)	89-6
BELT, DRIVE	50-16	CONNECTOR, TRAILER (SN 050001-) (EUROPEAN)	89-8
BELT, FAN	20-18	CONSOLE, CONTROLS	80-4
BLADE, FRONT MOUNT	92-4	COVER, CYLINDER HEAD	20-10
BLOCK HEATER KIT	20-27	CRANKSHAFT	20-6
BLOCK, ENGINE	20-2	CYLINDER HEAD	20-12
BOX MAT	80-27	CYLINDER HEAD COVER	20-10
BOX RELEASE (CAB)	91-16	D	
BOX, CARGO (SN -050000)	80-6	DASH	80-4
BOX, CARGO (SN 050001-)	80-7A	DECALS (EXPORT)	90-6
BOX, CARGO (SN 050001-)	80-7C	DECALS (FRENCH CANADIAN)	90-4
BOX, SIDE STORAGE	94-17	DECALS (SN -050000)	90-2
BRACKET, BEACON LIGHT MOUNT (W/CAB)	91-18	DECALS (SN 050001-)	90-3A
BRACKET, CARGO BOX EXTENDER KIT	80-33	DECALS (SPANISH)	90-8
BRACKETS, REAR VIEW MIRROR (CAB)	91-17	DECALS (WINCH) (3000 LB/1361 KG)	94-14
BRAKE LIGHT (SN -050000)	40-14	DELUXE LIGHT KIT (SN 050001-)	40-13A
BRAKE LIGHT (SN 050001-)	40-15	DELUXE LIGHT KIT (W/CAB) (SN -050000)	40-12
BRAKE PADS	50-12	DELUXE LIGHT KIT (W/O CAB) (SN -050000)	40-13
BRAKE PEDAL AND LINKAGE	60-4	DIFFERENTIAL GEARS AND CASE	50-7
BRAKE SWITCH (EUROPEAN)	89-2	DIFFERENTIAL LOCK HANDLE, LINKAGE AND CABLE	50-10
BRAKES	50-12	DIFFERENTIAL LOCK HANDLE, LINKAGE AND CABLE (EXPORT)	50-11
BRUSH GUARD (SN -XXXXXX)	80-20	DIFFERENTIAL LOCK SHAFT	50-8
BRUSH GUARD (SN XXXXXX-)	80-21	DIPSTICK, ENGINE OIL	20-14
BUMPER (OPTIONAL) (SN -XXXXXX)	80-22	DIPSTICK, TRANSAXLE	50-2
BUMPER (OPTIONAL) (SN XXXXXX-)	80-23	DIVIDER KIT, CARGO BOX	80-31
BUMPER KIT, REAR	80-30	DOOR HANDLE (HARD) (CAB)	91-8
C			
CAB ROOF AND FRAME	91-2	DOOR, HARD (CAB)	91-8
CABLE, THROTTLE AND CHOKE	30-12	DOOR, SOFT (CAB)	91-10
CABLE, WINCH (2500 LB/1134 KG)	94-2	DRAIN VALVE, COOLANT	20-18
CABLE, WINCH (3000 LB/1361 KG)	94-8	DRAWBAR	80-19
CAMSHAFT	20-8	DRIVE BELT	50-16
CANOPY (CAB)	91-2	DRIVE CHAIN	50-14
CAP, FUEL	30-2	DRIVE CLUTCH, PRIMARY	50-17
CAP, RADIATOR (SN -XXXXXX)	20-20	DRIVE SHIELD KIT (OPTIONAL)	50-15
		DRIVE SPROCKET	50-14
		DRIVEN CLUTCH, TRANSAXLE	50-18
		DUST EJECTOR, AIR CLEANER	30-10

ALPHABETICAL INDEX - CONTINUED

	PAGE		PAGE
E			
ELEMENT, AIR FILTER	30-10	GUARD, BRUSH (SN XXXXXX-).....	80-21
ENGINE BLOCK	20-2	GUARD, FENDER (OPTIONAL) (SN -XXXXXX).....	80-24
ENGINE DRIVE CLUTCH.....	50-17	GUARD, FENDER (OPTIONAL) (SN XXXXXX-).....	80-25
ENGINE GASKET KIT	20-24	GUARD, LOAD (SN -050000).....	80-6
ENGINE ISOLATOR AND MOUNTING SCREWS	20-26	GUARD, LOAD (SN 050001-).....	80-7A
ENGINE MOUNTING FLANGE	20-6	GUARD, LOAD (SN 050001-).....	80-7C
ENGINE OIL PRESSURE SENSOR	20-14	H	
ENGINE OIL PUMP	20-16	HANDLE, DOOR (HARD) (CAB)	91-8
EXHAUST	30-9	HANDLE, PARK BRAKE	60-4
EXHAUST MANIFOLD	30-11	HARD DOOR (CAB)	91-8
F			
FAIRLEAD (WINCH) (2500 LB/1134 KG)	94-4	HARNES, BEACON LIGHT WIRING.....	91-18
FAN AND BELT	20-18	HARNES, MAIN WIRING	40-2
FAN, RADIATOR (SN -XXXXXX).....	20-20	HARNES, WIRE (WINCH) (2500 LB/1134 KG).....	94-6
FAN, RADIATOR (SN XXXXXX-).....	20-22	HARNES, WIRE (WINCH) (3000 LB/1361 KG).....	94-12
FENDER GUARD (OPTIONAL) (SN -XXXXXX).....	80-24	HARNES, WIRING (GRABLIGHT)	40-16
FENDER GUARD (OPTIONAL) (SN XXXXXX-).....	80-25	HAZARD SWITCH (EUROPEAN).....	89-2
FENDERS, FRONT	80-10	HEAD, CYLINDER	20-12
FENDERS, REAR (SN -050000)	80-6	HEADLIGHT (EUROPEAN).....	89-2
FILLER CAP, TRANSAXLE	50-2	HEADLIGHT SWITCH (EUROPEAN).....	89-2
FILTER, AIR	30-10	HEADLIGHTS AND SWITCH	40-2
FILTER, ENGINE OIL	20-14	HEATER (CAB)	91-3A
FILTER, FUEL	30-4	HEATER KIT, BLOCK	20-27
FLANGE, ENGINE MOUNTING	20-6	HINGE, SEAT MOUNTING	80-4
FLOOR MAT	80-2	HITCH, FRONT (EUROPEAN)	89-12
FLYWHEEL	20-6	HITCH, REAR	80-19
FORK, DIFFERENTIAL LOCK.....	50-8	HITCH, RECEIVER.....	80-19
FRAME, BLADE	92-4	HOOD	80-10
FRAME, CAB	91-2	HOOD RACK	80-32
FRAME, MAIN	80-2	HOOK (WINCH) (2500 LB/1134 KG).....	94-4
FRONT BRUSH GUARD (SN -XXXXXX).....	80-20	HOOK (WINCH) (3000 LB/1361 KG).....	94-10
FRONT BRUSH GUARD (SN XXXXXX-).....	80-21	HORN KIT	40-10
FRONT BUMPER (OPTIONAL) (SN -XXXXXX).....	80-22	HORN KIT (EUROPEAN)	89-1
FRONT BUMPER (OPTIONAL) (SN XXXXXX-).....	80-23	HOSE, AIR INTAKE	30-10
FRONT FENDERS	80-10	HOSE, RADIATOR (SN -XXXXXX).....	20-20
FRONT HITCH (EUROPEAN).....	89-12	HOSE, RADIATOR (SN XXXXXX-).....	20-22
FRONT IMPLEMENT LIFT KIT.....	92-6	HOSE, RADIATOR (SN XXXXXX-).....	20-22
FRONT MUD FLAPS	80-10	HOUR METER	40-2
FRONT WHEEL AND TIRE	80-12	HOUSING, REAR AXLE.....	50-14
FRONT WORK LIGHTS (CAB).....	91-14	HOUSING, TRANSAXLE	50-2
FUEL FILTER.....	30-4	I	
FUEL GAUGE AND CAP	30-2	IGNITION KEY	40-2
FUEL INJECTION PUMP	30-8	IMPLEMENT LIFT ARM (BLADE).....	92-8
FUEL PUMP	30-8	INJECTION LINES AND NOZZLE, FUEL.....	30-6
FUEL TANK	30-2	INPUT SHAFT	50-2
FUSE BOX	40-2	INSTRUMENT PANEL	80-4
G			
GAS PEDAL.....	30-12	INTERIOR LIGHT KIT (CAB).....	91-4
GASKET, CYLINDER HEAD COVER	20-10	ISOLATOR, ENGINE.....	20-26
GAUGE KIT (OPTIONAL).....	40-9	K	
GAUGE, FUEL	30-2	KEY, IGNITION	40-2
GEAR, TRANSAXLE REDUCTION	50-6	KIT, BACK-UP ALARM (SN -050000).....	40-18
GEARCASE	20-16	KIT, BACK-UP ALARM (SN 050001-).....	40-19
GEARS, DIFFERENTIAL	50-7	KIT, BEDLINER.....	80-18
GLOVE BOX	80-4	KIT, CARGO BOX EXTENDER.....	80-33
GLOW PLUG	20-12	KIT, CARGO BOX LIFT	80-9C
GRABLIGHT	40-16	(MANUAL) (SN 050001-).....	80-9C
GRILLE	80-10	KIT, CARGO BOX LIFT	80-8
GUARD, BRUSH (SN -XXXXXX)	80-20	(POWER) (SN -050000).....	80-8
		KIT, CARGO BOX LIFT	80-9A
		(POWER) (SN 050001-).....	80-9A

ALPHABETICAL INDEX - CONTINUED

	PAGE		PAGE
KIT, HORN	40-10		
KIT, HORN (EUROPEAN)	89-1		
KIT, LATCH LOCKING (CARGO BOX) (CAB W/MANUAL LIFT) (SN XXXXXX-)	80-9G		
KIT, LATCH LOCKING (CARGO BOX) (CAB W/MANUAL LIFT) (SN 050001-XXXXXX)	80-9E		
L			
LABEL, WINCH (2500 LB/1134 KG)	94-2		
LABEL, WINCH (3000 LB/1361 KG)	94-8		
LABELS (EXPORT)	90-6		
LABELS (FRENCH CANADIAN)	90-4		
LABELS (SN -050000)	90-2		
LABELS (SN 050001-)	90-3A		
LABELS (SPANISH)	90-8		
LABELS (WINCH) (3000 LB/1361 KG)	94-14		
LATCH KIT, LOCKING (CARGO BOX) (CAB W/MANUAL LIFT) (SN XXXXXX-)	80-9G		
LATCH KIT, LOCKING (CARGO BOX) (CAB W/MANUAL LIFT) (SN 050001-XXXXXX)	80-9E		
LICENSE PLATE LIGHT (SN -050000) (EUROPEAN)	89-6		
LICENSE PLATE LIGHT (SN 050001-) (EUROPEAN)	89-8		
LIFT FRAME (BLADE)	92-8		
LIFT KIT, CARGO BOX (MANUAL) (SN 050001-)	80-9C		
LIFT KIT, CARGO BOX (POWER) (SN -050000)	80-8		
LIFT KIT, CARGO BOX (POWER) (SN 050001-)	80-9A		
LIFT KIT, FRONT IMPLEMENT	92-6		
LIGHT BAR	94-16		
LIGHT KIT, DELUXE (SN 050001-)	40-13A		
LIGHT KIT, DELUXE (W/CAB) (SN -050000)	40-12		
LIGHT KIT, DELUXE (W/O CAB) (SN -050000)	40-13		
LIGHT MATERIAL EXTENSION KIT (SN -050000)	80-28		
LIGHT MATERIAL EXTENSION KIT (SN 050001-)	80-29		
LIGHT, BEACON	91-18		
LIGHT, BEACON (CAB)	91-13		
LIGHT, LICENSE PLATE (SN -050000) (EUROPEAN)	89-6		
LIGHT, LICENSE PLATE (SN 050001-) (EUROPEAN)	89-8		
LIGHT, TAIL/BRAKE (SN -050000)	40-14		
LIGHT, TAIL/BRAKE (SN 050001-)	40-15		
LIGHT, TURN (EUROPEAN)	89-10		
LIGHT, WORK, STROBE	94-16		
LINES, FUEL INJECTOR	30-6		
LINES, FUEL PUMP	30-4		
LINKAGE, SHIFT	50-9		
LOAD GUARD (SN -050000)	80-6		
LOAD GUARD (SN 050001-)	80-7A		
LOAD GUARD (SN 050001-)	80-7C		
LOCK, DIFFERENTIAL	50-8		
LOCKING KIT, LATCH (CARGO BOX) (CAB W/MANUAL LIFT) (SN XXXXXX-)	80-9G		
LOCKING KIT, LATCH (CARGO BOX) (CAB W/MANUAL LIFT) (SN 050001-XXXXXX)	80-9E		
		M	
		MAIN FRAME	80-2
		MAIN WIRING HARNESS (EUROPEAN)	89-2
		MANUAL CARGO BOX LIFT (SN 050001-)	80-9C
		MARKERS, PLOW	92-9
		MAT, BOX	80-27
		MIRROR (EUROPEAN)	89-10
		MIRROR, REAR VIEW (CAB)	91-17
		MOTOR, POWER LIFT FOR CARGO BOX (SN -050000)	80-8
		MOTOR, POWER LIFT FOR CARGO BOX (SN 050001-)	80-9A
		MOTOR, WINCH (2500 LB/1134 KG)	94-2
		MOTOR, WINCH (3000 LB/1361 KG)	94-8
		MOUNTING SCREW, ENGINE	20-26
		MOUNTS, CAB	91-2
		MUD FLAP, REAR (SN -050000)	80-6
		MUD FLAPS, FRONT	80-10
		MUFFLER	30-9
		N	
		NEGATIVE BATTERY CABLE	40-4
		NEGATIVE BATTERY CABLE (AUXILIARY BATTERY KIT)	40-5
		NEUTRAL START SWITCH, TRANSAXLE	50-4
		NOZZLE, FUEL INJECTOR	30-6
		O	
		OIL FILTER, ENGINE	20-14
		OIL PAN, ENGINE	20-14
		OIL PRESSURE SWITCH	20-14
		OIL PUMP, ENGINE	20-16
		OUTPUT SHAFT	50-2
		P	
		PADS, BRAKE	50-12
		PAN, ENGINE OIL	20-14
		PANEL, DOOR (CAB)	91-6
		PANEL, INSTRUMENT	80-4
		PARK BRAKE HANDLE	60-4
		PARK BRAKE SWITCH	40-2
		PEDAL, BRAKE	60-4
		PEDAL, GAS	30-12
		PISTONS AND RINGS	20-4
		PLATE, SUPPORT (WINCH) (2500 LB/1134 KG)	94-4
		PLATE, SUPPORT (WINCH) (3000 LB/1361 KG)	94-10
		PLOW MARKERS	92-9
		POLE, BEACON LIGHT SUPPORT (W/O CAB)	91-18
		POSITION LIGHT (EUROPEAN)	89-2
		POSITIVE BATTERY CABLE	40-4
		POSITIVE BATTERY CABLE (AUXILIARY BATTERY KIT)	40-5
		POWER CARGO BOX LIFT (SN -050000)	80-8
		POWER CARGO BOX LIFT (SN 050001-)	80-9A
		POWER OUTLET	40-2
		PUMP, ENGINE OIL	20-16
		PUMP, FUEL INJECTION	30-8
		PUSHROD	20-8

ALPHABETICAL INDEX - CONTINUED

	PAGE		PAGE
R			
RACK, HOOD	80-32	STRAIGHT BLADE	92-4
RACK, STEERING	60-2	STRAP, BATTERY HOLD DOWN	40-4
RADIATOR (SN -XXXXXX)	20-20	STRAP, BATTERY HOLD DOWN (AUXILIARY BATTERY KIT)	40-5
RADIATOR (SN XXXXXX-)	20-22	STROBE LAMP KIT	91-18
RANGE SHIFT, TRANSAXLE	50-4	STROBE LIGHT	94-16
REAR AXLE SHAFT	50-14	STRUT	60-2
REAR BUMPER KIT	80-30	SUPPORT PLATE (WINCH) (2500 LB/1134 KG)	94-4
REAR FENDERS (SN -050000)	80-6	SUPPORT PLATE (WINCH) (3000 LB/1361 KG)	94-10
REAR HITCH	80-19	SWITCH, BACK-UP ALARM (SN -050000)	40-18
REAR MUD FLAP (SN -050000)	80-6	SWITCH, BACK-UP ALARM (SN 050001-)	40-19
REAR PANEL (CAB)	91-7	SWITCH, BEACON LIGHT	91-18
REAR VIEW MIRROR (CAB)	91-17	SWITCH, COOLANT TEMPERATURE	20-18
REAR VIEW MIRROR (EUROPEAN)	89-10	SWITCH, HEADLIGHT	40-2
REAR WHEEL AND TIRE	80-14	SWITCH, HORN	40-10
REAR WINDOW (CAB)	91-11	SWITCH, IGNITION	40-2
REAR WORK LIGHTS (CAB)	91-15	SWITCH, OIL PRESSURE	20-14
RECEIVER HITCH	80-19	SWITCH, PARK BRAKE	40-2
REDUCTION SHAFT	50-6	SWITCH, POWER LIFT FOR CARGO BOX (SN -050000)	80-8
REFLECTOR, ROUND (EUROPEAN)	89-13	SWITCH, POWER LIFT FOR CARGO BOX (SN 050001-)	80-9A
RELAY	40-2	SWITCH, RADIATOR FAN (SN -XXXXXX)	20-20
RELAY, POWER LIFT FOR CARGO BOX (SN -050000)	80-8	SWITCH, RADIATOR FAN (SN XXXXXX-)	20-22
RELAY, POWER LIFT FOR CARGO BOX (SN 050001-)	80-9A	SWITCH, TRANSAXLE NEUTRAL START	50-4
REMAN ALTERNATOR 12V-40A	40-6	SWITCHES (EUROPEAN)	89-2
REMAN STARTER MOTOR	40-8	T	
REMOTE BOX RELEASE (CAB)	91-16	TAIL GATE (SN -050000)	80-6
RESERVOIR, WASHER (CAB)	91-12	TAIL GATE (SN 050001-)	80-7A
REVERSE SHAFT	50-5	TAIL GATE (SN 050001-)	80-7C
ROCKER ARM SHAFT	20-11	TAILLIGHT (SN -050000)	40-14
ROD, CONNECTING	20-4	TAILLIGHT (SN 050001-)	40-15
ROD, SHIFT	50-9	TAILLIGHT (SN 050001-) (EUROPEAN)	89-5
ROOF, CAB	91-2	TAILLIGHT AND BRACKET (SN -050000) (EUROPEAN)	89-4
ROUGH TERRAIN KIT (OPTIONAL) (SN -XXXXXX)	30-13	TANK, COOLANT OVERFLOW (SN -XXXXXX)	20-20
ROUGH TERRAIN KIT (OPTIONAL) (SN XXXXXX-)	30-14	TANK, COOLANT OVERFLOW (SN XXXXXX-)	20-22
RUN-FLAT WHEELS AND TIRES	80-16	TANK, FUEL	30-2
S			
SEAL, REAR CRANKSHAFT	20-6	THERMOSTAT	20-18
SEAT	80-4	THROTTLE CABLE	30-12
SEAT BASE, ADJUSTABLE (OPTIONAL)	80-3	TIRE AND WHEEL, FRONT	80-12
SEAT BELT (CAB)	91-7	TIRE AND WHEEL, REAR	80-14
SEAT PLATFORM (EUROPEAN)	89-11	TRAILER CONNECTOR (SN -050000) (EUROPEAN)	89-6
SENSOR, ENGINE OIL PRESSURE	20-14	TRAILER CONNECTOR (SN 050001-) (EUROPEAN)	89-8
SHAFT, REAR AXLE	50-14	TRANSAXLE CONTROLS	50-9
SHAFT, ROCKER ARM	20-11	TRANSAXLE DIFFERENTIAL LOCK SHAFT	50-8
SHAFT, TRANSAXLE DIFFERENTIAL LOCK	50-8	TRANSAXLE DRIVEN CLUTCH	50-18
SHAFT, TRANSAXLE REDUCTION	50-6	TRANSAXLE HOUSING	50-2
SHAFT, TRANSAXLE REVERSE	50-5	TRANSAXLE RANGE SHIFT	50-4
SHEAVE, TRANSAXLE DRIVEN	50-18	TRANSAXLE REDUCTION SHAFT	50-6
SHIFT ARM, TRANSAXLE	50-4	TRANSAXLE REVERSE SHAFT	50-5
SHIFT LEVER, KNOB AND LINKAGE	50-9	TUBE, COOLANT (SN -XXXXXX)	20-20
SHROUD, FAN (SN -XXXXXX)	20-20	TUBE, COOLANT (SN XXXXXX-)	20-22
SHROUD, FAN (SN XXXXXX-)	20-22	TURN LIGHT (EUROPEAN)	89-10
SILL, DOOR (CAB)	91-6	TURN SIGNALS KIT (SN 050001-)	40-13A
SOFT DOOR (CAB)	91-10	TURN SIGNALS KIT (W/CAB) (SN -050000)	40-12
SPEEDOMETER (OPTIONAL)	40-9	TURN SIGNALS KIT (W/O CAB) (SN -050000)	40-13
SPROCKET, DRIVE	50-14	TURN SWITCH (EUROPEAN)	89-2
STARTER	40-8		
STEERING WHEEL AND SHAFT	60-2		
STORAGE BOX	94-17		

ALPHABETICAL INDEX - CONTINUED

	<i>PAGE</i>	<i>PAGE</i>
V		
V-BLADE, MOUNTING BRACKETS, AND MOLDBOARDS	92-2	
VALVE, COOLANT DRAIN	20-18	
VALVES, INTAKE AND EXHAUST	20-12	
VISOR (CAB)	91-4	
VOLTAGE REGULATOR	40-6	
VOLTMETER (OPTIONAL)	40-9	
W		
WASHER PUMP (CAB)	91-12	
WASHER RESERVOIR (CAB)	91-12	
WASHER WINDSHIELD (CAB)	91-12	
WATER PUMP	20-18	
WHEEL AND TIRE, FRONT	80-12	
WHEEL AND TIRE, REAR	80-14	
WHEEL, STEERING	60-2	
WHEELS AND TIRES, RUN-FLAT	80-16	
WINCH (2500 LB/1134 KG)	94-2	
WINCH (3000 LB/1361 KG)	94-8	
WINDOW, REAR (CAB)	91-11	
WINDSCREEN KIT (OPTIONAL)	80-26	
WINDSHIELD AND WIPER (CAB)	91-4	
WINDSHIELD WASHER (CAB)	91-12	
WIPER, WINDSHIELD (CAB)	91-4	
WIRE HARNESS (WINCH) (2500 LB/1134 KG)	94-6	
WIRE HARNESS (WINCH) (3000 LB/1361 KG)	94-12	
WIRING HARNESS (GRABLIGHT)	40-16	
WIRING HARNESS, BEACON LIGHT	91-18	
WIRING HARNESS, HORN	40-10	
WIRING HARNESS, MAIN	40-2	
WIRING HARNESS, MAIN (EUROPEAN)	89-2	
WORK LIGHT	94-16	
WORK LIGHTS, FRONT (CAB)	91-14	
WORK LIGHTS, REAR (CAB)	91-15	

MEMORANDA
MEMORANDA
MEMORANDA
MEMORANDA
MEMORANDA
MEMORANDA

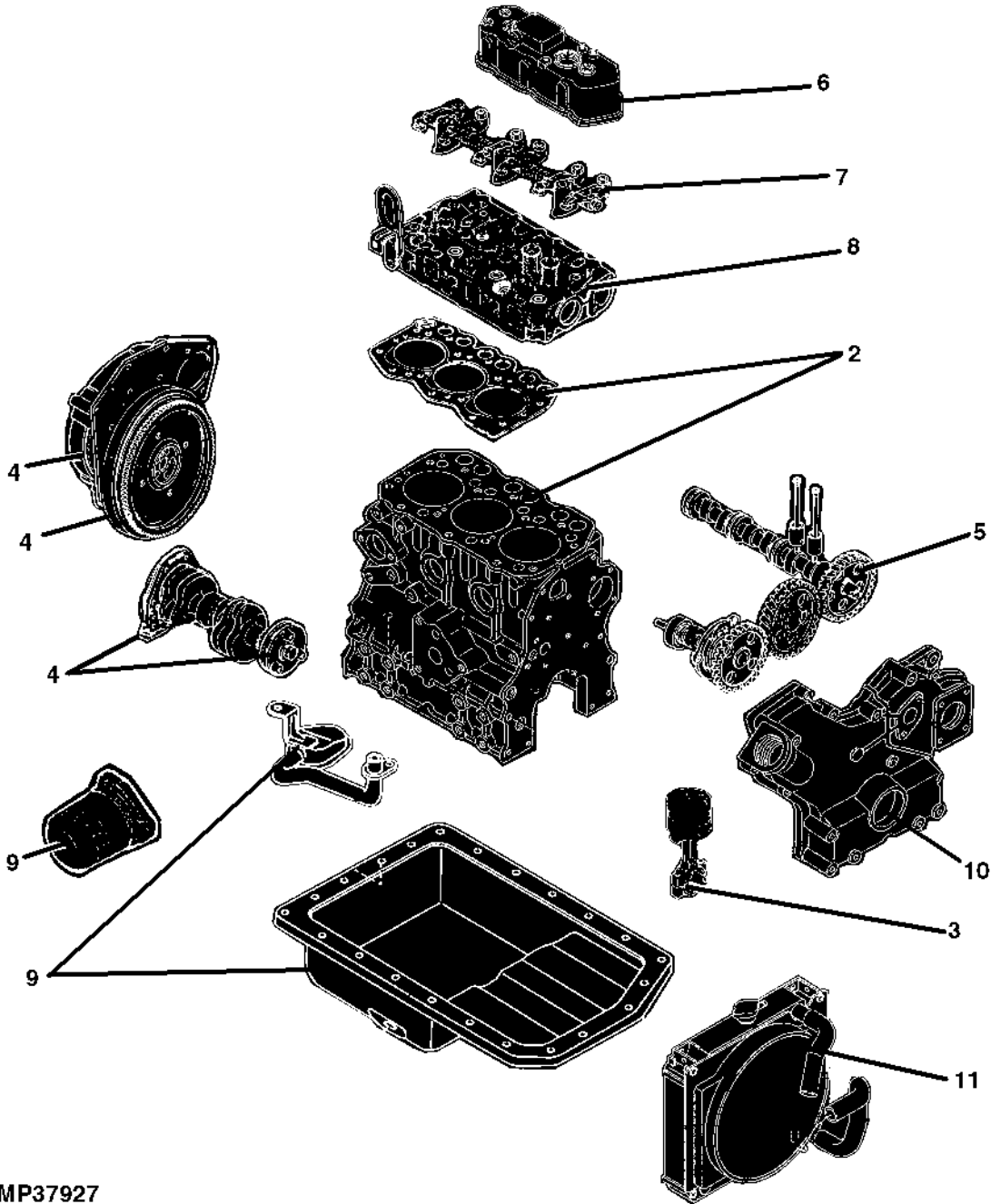
20-1

ENGINE

SECTIONAL INDEX
 INDEX DE SECTION
 GRUPPENINDEX
 INDICE DELLA SEZIONE
 INDICE DE SECCION
 GRUPPSFORTECKNING

MP37927 -UN-

2-	2
3-	4
4-	6
5-	8
6-	10
7-	11
8-	12
9-	14
10-	16
11-	20
11-	22



MP37927