

**LA135**  
**100 Series Tractor**



**JOHN DEERE**

**PARTS CATALOG**

**LA135**  
**100 Series Tractor**

**PC9743 (Apr-11) English**

**John Deere Horicon Works**

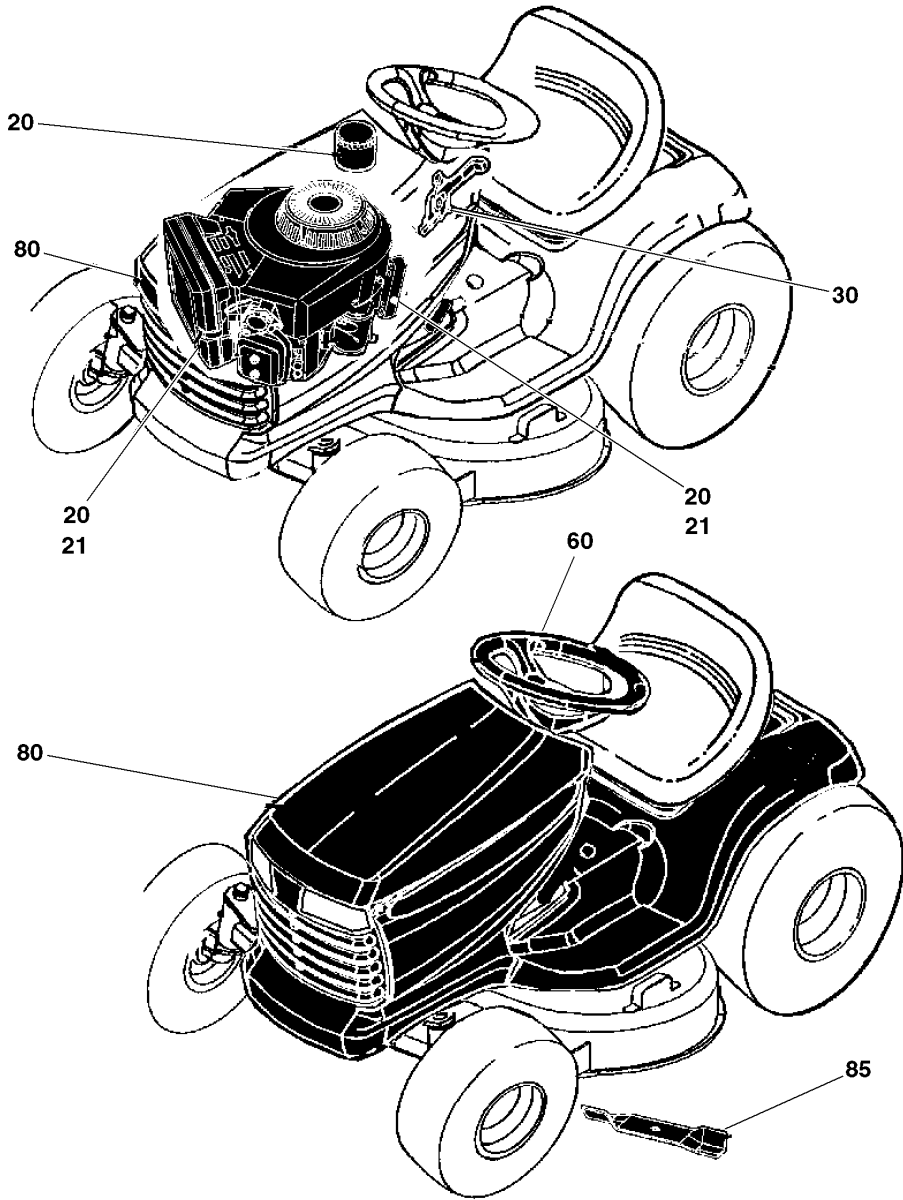
Litho in U.S.A. (Revised)  
COPYRIGHT © 2011  
DEERE & COMPANY  
Moline, Illinois  
All rights reserved



Primary Pictorial Index  
 Index d'illustrations principal  
 Hauptbildindex  
 Indice principale illustrato  
 Índice primario de ilustraciones

PU03639 A.1

20-	1
21-	33
30-	1
60-	1
80-	1
85-	1

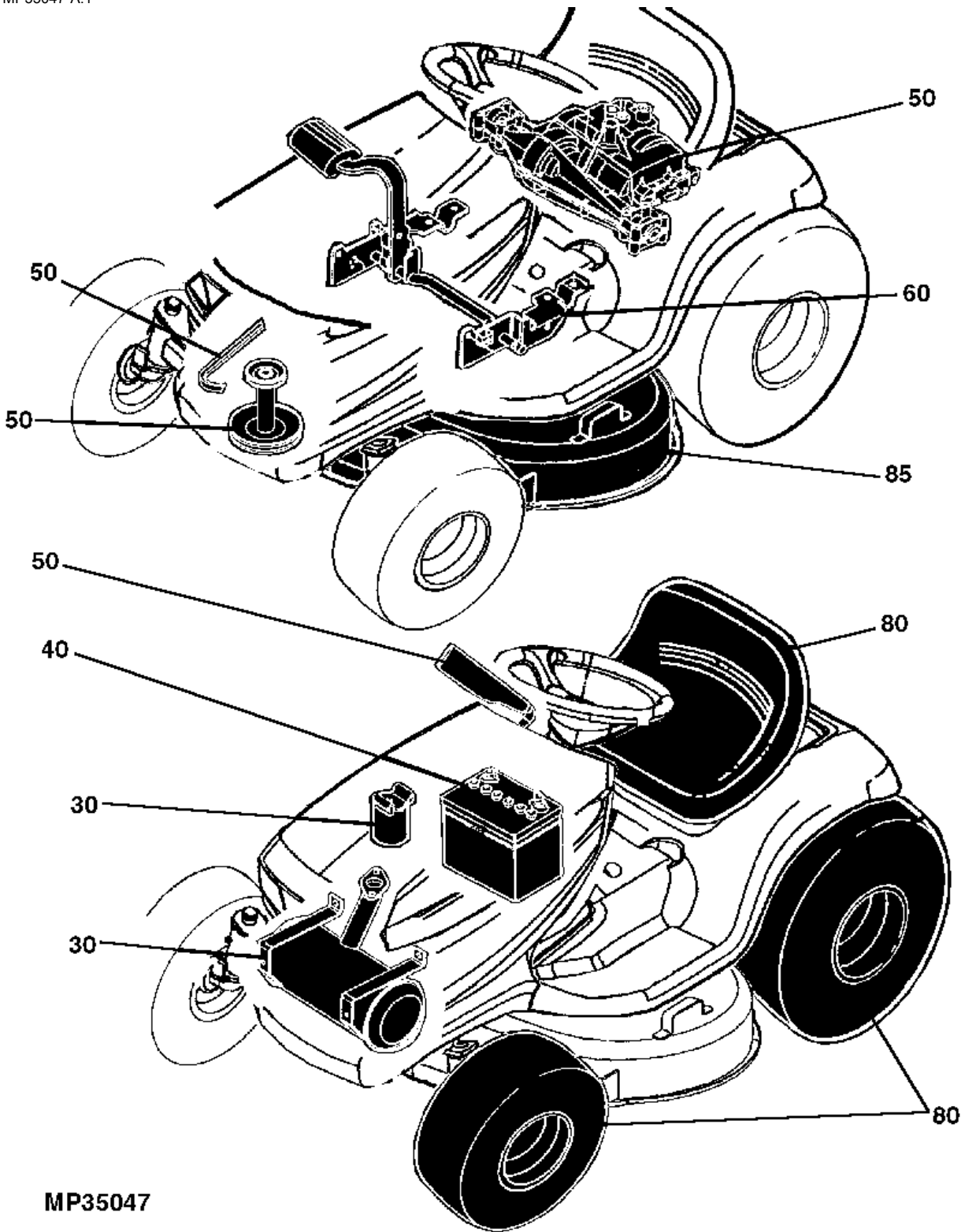


PU03639

Primary Pictorial Index  
 Index d'illustrations principal  
 Hauptbildindex  
 Indice principale illustrato  
 Índice primario de ilustraciones

MP35047 A.1

30-	1
40-	1
50-	71
60-	1
80-	1
85-	1



MP35047

**Thanks very much for your reading,  
Want to get more information,  
Please click here, Then get the complete  
manual**

**JustClickHere** 

**NOTE:**

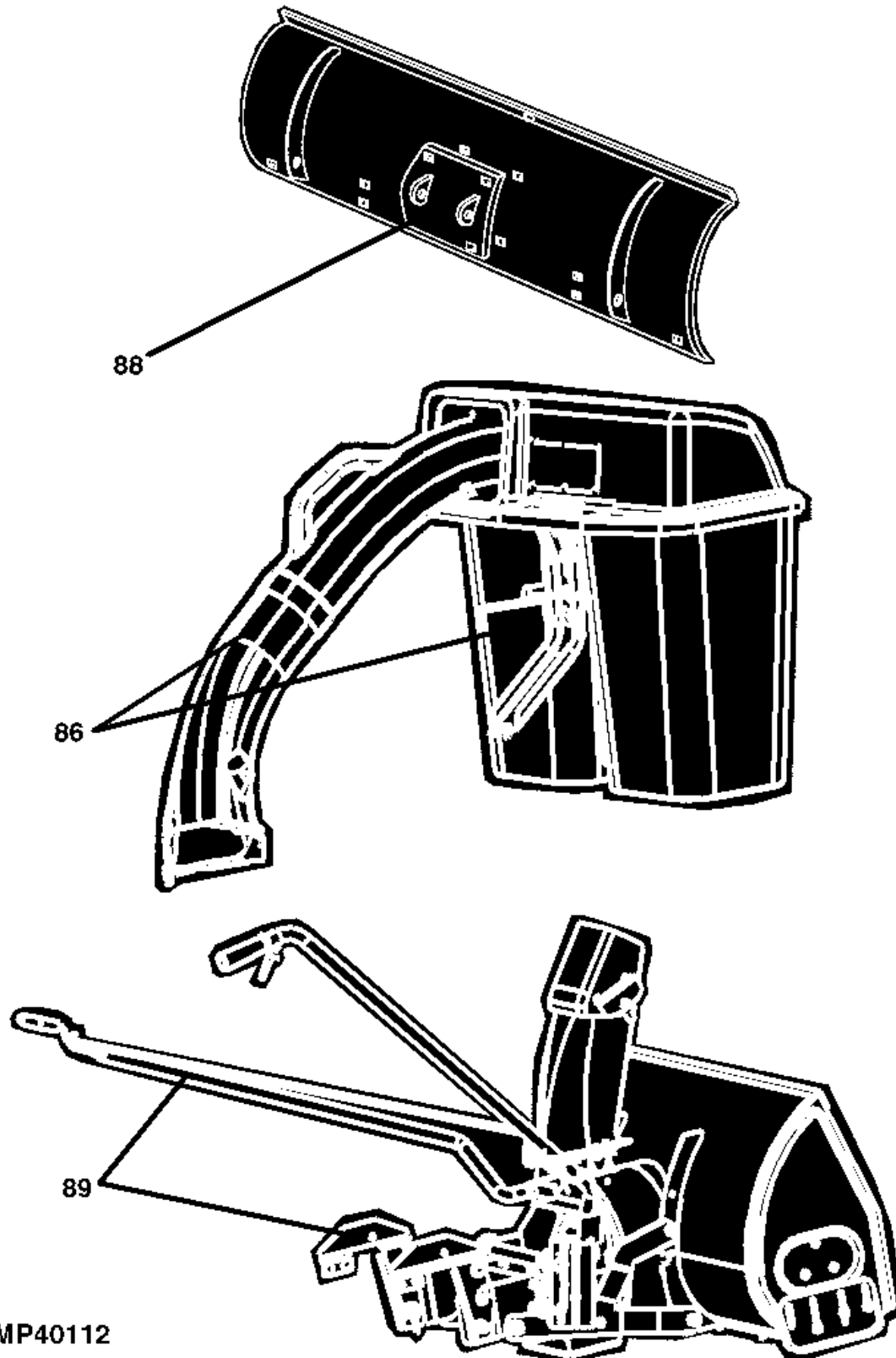
**If there is no response to click on the link above,  
please download the PDF document first, and then  
click on it.**

**Have any questions please write to me:  
[admin@servicemanualperfect.com](mailto:admin@servicemanualperfect.com)**

Primary Pictorial Index  
Index d'illustrations principal  
Hauptbildindex  
Indice principale illustrato  
Índice primario de ilustraciones

86-	111
88-	117
89-	125

MP40112 A.1



MP40112



### Remarks And Abbreviations

The following remarks and abbreviations may appear throughout this parts catalog. Refer to the following table for translations.

Phrase	Meaning	Phrase	Meaning
ALSO ORDER, ORD W/	Also Order	MFWD	Mechanical Front Wheel Drive
AMP	Ampere	MRWD	Mechanical rear wheel drive
APPL, APPL ONLY	This application only	NA, NOT USED THIS APPL	Not used in this application
AR	As required	NLA	No longer available
ASSY	Complete assembly	NSEP	Not available separately
CCW	Counter-clockwise	OD	Outside diameter
COMPLETE	Complete	OPTIONAL	Optional
COMPLETE GOODS	Complete goods	OR	Or
CONVENIENCE ASSY, CA	Convenience assembly	ORD, ORDER	Order
CTL, CUT TO LENGTH	Cut to length	OS	Oversize
CONTAINS	Contains	OUTER	Outer
CONSISTS OF	Consists of	PKG, PACKG	Package, Packet of
CUT FROM	Cut from	PTO	Power Take Off
CW	Clockwise	REAR	Rear
FOR	For	RATIO	Ratio
FRONT	Front	REPL	Replaces
GAS	Gasoline	RH	Right-hand
HP	Horse Power	SUB COMPONENTS	Substitute components (of the kit or assy)
HS, SAE	High strength, SAE rating	SUB FOR THIS APPLICATION	Sub for this application
HS, HEAD MARKED	High strength, head marked	SUB FOR	Substitutes for



## Remarks and Abbreviations Continued

Phrase	Meaning	Phrase	Meaning
ID	Inside diameter	SN	Serial number
INCH	Inch	STD	Standard
INCL, INCLUDES	Includes...	SUB	Replaced by
INCL KEYS	Includes keys...	SUB THIS APPLICATION	Sub this application
INCLUDES PARTS/ ITEMS MARKED	Includes parts/items marked..	TEETH, Z	Number of gear teeth
KIT	Kit	TK	Thickness
L	Number of links	UP, UPPER	Upper
LGTH	Length	US	Undersize
LH	Left-hand	USE WITH	Use with
LOW, LOWER	Lower	USE UNTIL EXHAUSTED	Use until exhausted
MAKE FROM, MF	Make from	W/	With
MARKED	Marked	W/O	Without
MATCHED SET	Matched Set	WHOLE GOODS	Whole goods

## LA135 Tractor

MP39934 A.1



### MP39934

2008 Model (Serial No. GXA135A050001-200000)

2008 Model (Serial No. GXA135C010001-200000) (California)

2009 Model (Serial No. GXA135A200001-300000)

2009 Model (Serial No. GXA135C200001-300000) (California)

2010 Model (Serial No. GXA135A300001- )

2010 Model (Serial No. GXA135C300011- )(California)

2010 Model (Serial No. GXA135A300533- )(Canada)

2010 Model (Serial No. GXA135A300001- )(Australia)

*(Specifications and design subject to change without notice)*

## Material Collection System

MP31789 A.1



**MP31789**

*(Specifications and design subject to change without notice)*

## 44-Inch 2-Stage Snowblower

MP38088 A.1



### **MP38088**

2008 Model (Serial No. M044SBH020001-030000)

2009 Model (Serial No. M044SBH030001-040000)

2010 Model (Serial No. M044SBH040001- )

*(Specifications and design subject to change without notice)*

## 46-Inch Snow Blade

MP31790 A.1



**MP31790**

*(Specifications and design subject to change without notice)*

## Product Identification And Serial Number Plate

An individual product identification and serial number is assigned to each machine. When writing about or filling out warranty claims, use all the characters shown on the plate.

Example:GXA135A050001

GX-	Factory Designation
135-	Model Or Machine Designation
	135 Tractor
A-	Configuration Code (With 42-Inch Mower Deck)
050001-	Serial Number (Tractor)

## Product Configuration Code

The configuration "Alpha" code identifies a variation of a product. (example: a 116 Lawn Tractor may be manufactured as a hydrostatic or manual unit, and be shipped with a 970 mm or 1170 mm mower. Four variations of the 116 lawn tractor exist.) it also identifies different products which have the same model or machine designation. (example: 216 Tractor and 216 Tiller) if no configuration "Alpha" code is required, space is filled in with an "X".

## Serial Number Listing Information

Serial number information is listed to show on which machines each part can be used; for example:

- **The part can be used on all products.**
- 000000** -           **The part can be used on products beginning with the serial number listed.**
- **000000**       **The part can be used on products up to and including the serial number listed.**
- 000000** -   **000000**   **The part can be used on products between and including the serial number listed.**

When XXXXXX's are listed in place of a serial number, a serial number change was made, but the exact serial number was not available at the time of publication.

---

### **Box-Enclosed Illustrations**

Box-enclosed keyed parts in the illustration are available as a service assembly or an attachment. These parts may also include parts not available for service. The illustrations may not show all individual parts of an attachment. A box not keyed includes non-current parts.

### **Bolt And Cap Screw Strength Identification**

Bolts and cap screws required to have high-strength qualities equivalent to metric property class 10.9 (SAE grade 8) or higher are identified throughout this catalog by the description 10.9, 12.9 or 14.9. All standard bolts and cap screws are metric property class 8.8 (SAE grade 5) or lower.

### **Whole Goods Listings**

Whole goods are listed in bold face type. Refer to lawn and grounds care sales manual for whole goods ordering information. Order separately. Do not include on replacement parts order.

### **Direction Arrow**

Arrows are used with illustrations to indicate the front of the unit. "Right-Hand" and "Left-Hand" sides are determined by facing in the direction of machine forward travel.

### **To The Customer**

The part numbers in this Parts Catalog were correct at the time of publication. Per John Deere policy, we continuously improve our products. Therefore, when ordering parts verify the part numbers with your dealer.

---

**Table of Contents**

020 Engine .....	21
21 Engine Marked 407777-0283-G1 .....	33
030 FUEL AND AIR .....	45
040 ELECTRICAL .....	63
050 POWER TRAIN .....	71
060 STEERING AND BRAKES .....	83
080 WHEELS, FRAME AND OPERATOR'S STATION .....	91
085 MOWER DECK AND LIFT LINKAGE .....	101
086 MATERIAL COLLECTION SYSTEM .....	111
088 46" (1,17M) BLADE .....	117
089 44" (1,12M) SNOWBLOWER .....	125
090 LABELS AND OPTIONAL EQUIPMENT .....	141





## Alphabetical Index

	Page		Page
<b>A</b>			
Air Filter .....	52	Cover, Valve (Engine Marked 407777-0283-G1).....	38
AIR FILTER .....	60	Crankcase .....	22
Air Filter And Fuel Pump .....	52	Crankcase (Engine Marked 407777-0283-G1).....	34
Alternator .....	68	Crankshaft .....	24
Alternator And Flywheel .....	68	Crankshaft And Piston.....	24
Armature .....	68	Crankshaft (Engine Marked 407777-0283-G1) .....	36
ARM, CONTROL (TRANSMISSION) .....	80	Crankshaft, Connecting Rods and Pistons.....	36
ARM, TRACTION DRIVE IDLER.....	76	CRUISE CONTROL ROD .....	88
AUGER .....	136	CUP HOLDER .....	98
AUGER AND SHAFT (44" SNOWBLOWER).....	136	Cylinder Block.....	22
AXLE, FRONT .....	84	Cylinder Block And Dipstick.....	22, 34
<b>B</b>			
Bags And Hangers .....	113	Cylinder Block (Engine Marked 407777-0283-G1).....	34
Bags, Grass (Material Collection System).....	113	Cylinder Head.....	26, 38
BATTERY AND CABLES .....	65	Cylinder Head And Gasket.....	26
BATTERY SUPPORT .....	98	<b>D</b>	
Belts (44" Snowblower) .....	130	DASH.....	98
BELT DRIVE AND IDLERS .....	76	DECALS .....	142
BELT GUIDE, REAR .....	76	DECALS (FRENCH CANADIAN) .....	144
Belt, Mower Drive .....	106	Decals (Material Collection System).....	114
BELT, TRACTION DRIVE.....	76	Decals (44" SNOWBLOWER).....	138
Blade .....	122	Decals, French Canadian (44" Snowblower).....	139
BLADES, MULCH.....	110	Decals, Mower Deck (French Canadian).....	141
Blade, Drift (44" Snowblower) .....	140	DECALS, SNOW BLADE .....	124
Blade, Mower.....	106	Decal, Danger (Upper Chute) (44" Snowblower) .....	134
Blade, Scraper (44" Snowblower) .....	132	DECK LIFT LINKAGE .....	102
Blade, Snow .....	122	Deck, Mower.....	104
Block, Cylinder.....	22	Deflector And Chute Controls (44" Snowblower) .....	134
Block, Cylinder (Engine Marked 407777-0283-G1).....	34	Dipstick, Engine Oil (Engine Marked 407777-0283-G1).....	34
BLOWER FAN (44" SNOWBLOWER) .....	136	Discharge Chute, Mower Deck.....	104
Blower Housing .....	30	Drift Blade.....	140
Blower Housing (Engine Marked 407777-0283-G1).....	42	Drift Blade (44" Snowblower) .....	140
Bolts, Engine Mounting.....	22	<b>E</b>	
Brackets, Lift Linkage (44" Snowblower).....	126	Element, Air Cleaner .....	52
Brackets, Snow Blade Mounting.....	118	Engine .....	22
Bracket Repair Kit, Idler.....	104	Engine Controls.....	61
Bracket, Angle Lock (Snow Blade).....	122	Engine Gasket Kit.....	28, 40
Bracket, Idler Arm (44" Snowblower) .....	130	Engine Marked 407777-0283-G1 .....	34
BRACKET, STEERING/PTO SUPPORT .....	74	Engine Mounting Bolts.....	22
BRAKE PEDAL AND LINKAGE .....	86	Engine Mounting Bolts (Engine Marked 407777-0283-G1).....	34
BRAKE PEDAL, PARKING.....	86	ENGINE MOUNTING PLATE .....	94
Breather, Crankcase.....	22	Engine Shrouds.....	30, 42
Breather, Crankcase (Engine Marked 407777-0283-G1).....	34	EXHAUST MANIFOLDS.....	46
BULB, HEADLIGHT.....	96	Exhaust Valve.....	26
BUMPER, FRONT (OPTIONAL).....	96	<b>F</b>	
<b>C</b>			
CABLES, BATTERY .....	65	FAN, BLOWER (44" SNOWBLOWER) .....	136
CABLE, ANGLE LOCK (SNOW BLADE) .....	120	Fan, Engine Cooling.....	68
Cable, Deflector (44" Snowblower) .....	134	FENDERDECK.....	98
Cable, Lift Lever (44" Snowblower) .....	126	Fill Tube, Oil .....	22
CABLE, PTO LINKAGE.....	74	FILTER KIT .....	60
Camshaft .....	24	Filter, Air .....	52
Camshaft (Engine Marked 407777-0283-G1) .....	36	Filter, Engine Oil (Engine Marked 407777-0283-G1) .....	34
CANOPY .....	146	FILTER, FUEL .....	48
CAP, FUEL TANK .....	48	FILTER, FUEL (CALIFORNIA) .....	50
CAP, FUEL TANK (CALIFORNIA) .....	50	Filter, Oil .....	22
Carburetor Repair Kit.....	58	Float, Carburetor .....	54, 56
CARBURETOR REPAIR KIT .....	59	Flywheel .....	68
CARBURETOR REPAIR KIT (300001-).....	59	FORWARD AND REVERSE PEDAL AND LINKAGE .....	88
Carburetor (- 200000).....	54	Frame .....	128
Carburetor (200001 - ).....	56	FRAME .....	94
CHASSIS .....	94	Frame (44" Snowblower).....	128
Choke Linkage.....	61	FRONT AXLE .....	84
Choke, Throttle And Speed Control Linkage.....	61	FRONT BUMPER (OPTIONAL) .....	96
Chute .....	112	FRONT WHEELS AND TIRES .....	92
Chutes, Upper And Lower (Material Collection System) .....	112	FRONT WHEEL AND TIRE .....	92
Chute And Deflector Controls.....	134	Front Wheel Weights .....	100
Chute And Deflector Controls (44" Snowblower) .....	134	FUEL FILTER .....	60
Chute, Discharge (Mower Deck) .....	104	Fuel Pump .....	52
Connecting Rod.....	24	FUEL TANK .....	48
Connecting Rod (Engine Marked 407777-0283-G1).....	36	FUEL TANK AND LINES .....	48
Control, Throttle.....	61	FUEL TANK AND LINES (CALIFORNIA) .....	50
Cover, Hopper (Material Collection System) .....	114	FUEL TANK (CALIFORNIA) .....	50
COVER, MULCHING.....	108	FUSE .....	66

## Alphabetical Index - Continued

	Page		Page
<b>G</b>			
Gage Wheels.....	104	Labels, Mower Deck (French Canadian).....	141
Gaskets, Valve Overhaul.....	28	LABELS, SNOW BLADE.....	124
Gasket Kit, Carburetor.....	58	Label, Danger (Upper Chute) (44" Snowblower).....	134
GASKET KIT, CARBURETOR (300001-).....	59	LATCH, CRUISE CONTROL.....	88
Gasket Kit, Engine.....	28	LEVER, CABLE RELEASE (SNOW BLADE).....	120
Gasket Kit, (Engine Marked 407777-0283-G1).....	40	LEVER, CONTROL (TRANSMISSION).....	80
Gasket, Cylinder Head.....	26	Lever, Deflector (44" Snowblower).....	134
GEAR AND SECTOR, STEERING.....	84	Lever, Lift Linkage (44" Snowblower).....	126
GEAR CASE, AUGER (44" SNOWBLOWER).....	136	LEVER, PTO.....	74
Gear, Timing.....	24	Lift Handle And Bar (44" Snowblower).....	126
Governor Linkage.....	61	Lift Lever And Linkage.....	126
Governor Shaft.....	22	LIFT LEVER AND LINKAGE.....	120
Governor Shaft (Engine Marked 407777-0283-G1).....	34	LIFT LEVER AND LINKAGE, SNOW BLADE.....	120
Grass Bags (Material Collection System).....	113	LIFT LINKAGE, MOWER DECK.....	102
Grass Screen.....	68	Linkage, Governor.....	61
GRILLE.....	96	LINKAGE, PTO.....	74
GRIP, LIFT LEVER (SNOW BLADE).....	120		
Grip, Lift Lever (44" Snowblower).....	126	<b>M</b>	
Guard, Mower Deck Belt.....	106	Maintenance Kit.....	31
GUIDE, REAR BELT.....	76	Maintenance Kit (Engine Marked 407777-0283-G1).....	43
		MANIFOLDS, EXHAUST.....	46
<b>H</b>			
Handle, Chute Control (44" Snowblower).....	134	Manifold, Intake.....	52
HANDLE, CRUISE CONTROL.....	88	Moldboard, Snow Blade.....	122
HANDLE, DECK LIFT.....	102	Mounting Bolts (Engine Marked 407777-0283-G1).....	34
Handle, Lift Lever (44" Snowblower).....	126	Mounting Bolts, Engine.....	22
HANDLE, LIFT (SNOW BLADE).....	120	Mounting Brackets And Hardware.....	118
Harness, Engine Wiring.....	68	Mounting Brackets, Snow Blade.....	118
HARNESS, HEADLIGHT WIRING.....	96	Mounting Bracket, Bagger (Material Collection System).....	113
HARNESS, MAIN WIRING.....	66	MOWER DECK.....	104
Head, Cylinder.....	26	Mower Deck Labels (French Canadian).....	141
Head, Cylinder (Engine Marked 407777-0283-G1).....	38	MOWER DECK LIFT LINKAGE.....	102
HEAT SHIELDS, MUFFLER.....	46	Mower Deck Shield Kits (200001 - ).....	109
Home Maintenance Kit.....	31, 43	Mower Drive Belt, Sheaves, Spindles And Blades.....	106
HOOD.....	96	MUFFLER.....	46
HOOD AND GRILLE.....	96	MUFFLER AND HEAT SHIELD.....	46
Hopper Top.....	114	MULCHING COVER.....	108
Hopper Top (Material Collection System).....	114	MULCHING KIT.....	109, 110
HOSE, FUEL.....	48	Mulch Cover Kit ( - 200000).....	108
HOSE, FUEL (CALIFORNIA).....	50	MULCH KIT.....	110
Housing.....	132		
Housing (44" Snowblower).....	132	<b>O</b>	
Housing, Engine Blower.....	30	OIL FILTER.....	60
Housing, Engine Blower (Engine Marked 407777-0283-G1).....	42	Oil Filter And Fill Tube, Engine.....	22
HYDRO CONTROL.....	88	Oil Pump And Pan, Engine.....	24
		Oil Pump (Engine Marked 407777-0283-G1).....	36
<b>I</b>			
Idlers, Mower Deck.....	106		
IDLER ARM, TRACTION DRIVE.....	76	<b>P</b>	
Idler Bracket Repair Kit.....	104	PAD, FORWARD AND REVERSE PEDALS.....	88
IMPELLER (44" SNOWBLOWER).....	136	PANEL, INSTRUMENT.....	98
INNERTUBE, FRONT TIRE.....	92	PARKING BRAKE.....	86
INNERTUBE, REAR TIRE.....	93	PEDAL, HYDRO CONTROL.....	88
INSTRUMENT PANEL.....	98	PEDESTAL.....	98
Intake Manifold.....	52	Piston And Rings.....	24
Intake Valve.....	26	Piston And Rings (Engine Marked 407777-0283-G1).....	36
		PLATE, ENGINE MOUNTING.....	94
<b>K</b>			
KEY, IGNITION.....	66	PLATFORM, SEAT.....	98
Kit, Engine Gasket.....	28	PLENUM.....	96
Kit, Home Maintenance.....	31	Plug, Spark.....	68
Kit, Home Maintenance (Engine Marked 407777-0283-G1).....	43	Post, Bagger (Material Collection System).....	113
KIT, MOTION CONTROL ROD.....	88	PTO LEVER AND LINKAGE.....	74
KNOB, PTO LEVER.....	74	PTO LINKAGE AND CABLE.....	74
		Pulleys And Drive Belt.....	130
<b>L</b>			
Labels.....	138	Pulleys (44" Snowblower).....	130
LABELS.....	124, 142	PUMP SHAFT KIT.....	77
Labels (French Canadian).....	139	PUMP SHAFT KIT, TRANSAXLE.....	77
LABELS (FRENCH CANADIAN).....	144	Pump, Fuel.....	52
Labels (Material Collection System).....	114	Pump, Oil.....	24
Labels (44" Snowblower).....	138	Pump, Oil (Engine Marked 407777-0283-G1).....	36
Labels, French Canadian (44" Snowblower).....	139	Push Rod.....	26
		Push Rod (Engine Marked 407777-0283-G1).....	38
		<b>Q</b>	
		QUADRANT, SHIFT.....	98

Alphabetical Index - Continued

R	Page	W	Page
REAR WEIGHT .....	94	Wear Strip, Snow Blade .....	122
REAR WHEELS AND TIRES .....	93	Weights, Front Wheel .....	100
REAR WHEEL AND TIRE .....	93	WEIGHT, REAR .....	94
RELAY .....	66	Wheels, Mower Deck Gage .....	104
REPAIR KIT .....	78	WHEEL, FRONT .....	92
Repair Kit, Carburetor .....	58	WHEEL, REAR .....	93
REPAIR KIT, CARBURETOR (300001-) .....	59	WHEEL, STEERING .....	84
REPAIR KIT, TRANSMISSION .....	78	Wire Harness (Alternator) .....	68
RESERVOIR, TRANSAXLE .....	72	WIRING HARNESS .....	66
Rings, Piston .....	24	WIRING HARNESS, HEADLIGHT .....	96
Rings, Piston (Engine Marked 407777-0283-G1) .....	36	WIRING HARNESS, MAIN .....	66
Ring Gear .....	68		
Rocker Arm .....	26		
Rocker Arm (Engine Marked 407777-0283-G1) .....	38		
Rod, Chute Swivel (44" Snowblower) .....	132		
Rod, Connecting .....	24		
Rod, Connecting (Engine Marked 407777-0283-G1) .....	36		
ROD, CRUISE CONTROL .....	88		
Rod, Push .....	26		
Runner, Snow Blade .....	122		
S			
Scraper Blade (44" Snowblower) .....	132		
Scraper, Snow Blade .....	122		
Screen, Grass .....	68		
SEAL KIT, TRANSMISSION .....	78		
SEAT .....	98		
SEAT AND FENDERDECK .....	98		
SHAFT, AUGER (44" SNOWBLOWER) .....	136		
SHAFT, SNOW BLADE PIVOT .....	120		
SHAFT, TRANSMISSION CONTROL .....	80		
Sheaves, Mower Deck .....	106		
SHEAVE, TRACTION DRIVE .....	76		
SHIELDS, HEAT (MUFFLER) .....	46		
Shrouds (Engine Marked 407777-0283-G1) .....	42		
Shrouds, Engine .....	30		
Skid Shoe (44" Snowblower) .....	132		
Skid Shoe, Snow Blade .....	122		
Solenoid, Fuel Shutoff .....	54, 56		
SOLENOID, STARTER .....	66		
Spark Plug .....	68		
SPARK PLUG .....	60		
Spindles, Mower Deck .....	106		
SPINDLE, STEERING .....	84		
STARTER .....	64		
STEERING WHEEL .....	84		
STEERING WHEEL, GEARS, LINKAGE AND FRONT AXLE .....	84		
Support, Bagger (Material Collection System) .....	113		
Support, Snow Blade Pivot Bracket .....	118		
SWASH PLATE, TRANSMISSION .....	80		
SWITCHES .....	66		
Swivel Control (44" Snowblower) .....	134		
T			
TANK, FUEL .....	48		
TANK, FUEL (CALIFORNIA) .....	50		
Tappet (Engine Marked 407777-0283-G1) .....	38		
Throttle Control And Linkage .....	61		
TIE ROD .....	84		
Timing Gear .....	24		
Timing Gear (Engine Marked 407777-0283-G1) .....	36		
TIRE, FRONT .....	92		
TIRE, REAR .....	93		
TRANSAXLE .....	72		
TRANSAXLE CONTROL SHAFT .....	80		
TRANSAXLE PUMP SHAFT KIT .....	77		
TRANSMISSION .....	72		
TRANSMISSION REPAIR KIT .....	78		
TURF GARD OIL .....	60		
V			
Valves, Intake And Exhaust .....	26		
Valves, Intake And Exhaust (Engine Marked 407777-0283-G1) .....	38		
Valve Overhaul Gaskets .....	28		