

1A2

9950 COTTON PICKER

N38496 -UN-26JUN89



*JOHN DEERE 9950 COTTON PICKER
(MANUFACTURED 1986 -)*

(SPECIFICATIONS AND DESIGN ARE SUBJECT TO CHANGE WITHOUT NOTICE.)

1A3

9950 COTTON PICKER

SERIAL NUMBER LISTING INFORMATION

SERIAL NUMBER OR YEAR INFORMATION IS LISTED TO SHOW ON WHICH MACHINES EACH PART CAN BE USED; FOR EXAMPLE:

- THE PART CAN BE USED ON ALL MACHINES.
- 000000- THE PART CAN BE USED ON ALL MACHINES BEGINNING WITH THE SERIAL NUMBER OR YEAR LISTED.
- 000000 THE PART CAN BE USED ON ALL MACHINES UP TO AND INCLUDING THE SERIAL NUMBER OR YEAR LISTED.
- 000000-000000 THE PART CAN BE USED ON ALL MACHINES BETWEEN AND INCLUDING THE SERIAL NUMBERS OR YEARS LISTED.

WHEN XXXXXX'S ARE LISTED IN PLACE OF A SERIAL NUMBER, A SERIAL NUMBER CHANGE WAS MADE BUT THE EXACT SERIAL NUMBER WAS NOT AVAILABLE WHEN THE CATALOG WAS PRODUCED.

DIRECTION ARROW

ARROWS ARE USED WITH ILLUSTRATIONS TO INDICATE THE FRONT OF THE UNIT. "RIGHT-HAND" AND "LEFT-HAND" SIDES ARE DETERMINED BY FACING IN THE DIRECTION OF MACHINE FORWARD TRAVEL.

BOX-ENCLOSED ILLUSTRATIONS

A KEY NUMBER, SHOWN IN THE PARTS LIST, IS ASSIGNED TO A BOX ENCLOSING ALL PARTS SOLD AS A SERVICE ASSEMBLY.

BOLT AND CAP SCREW STRENGTH IDENTIFICATION

BOLTS AND CAP SCREWS REQUIRED TO HAVE HIGH-STRENGTH QUALITIES EQUIVALENT TO SAE GRADE 8 ARE IDENTIFIED THROUGHOUT THIS CATALOG BY THE DESCRIPTION HS SAE 8. ALL STANDARD BOLTS AND CAP SCREWS ARE SAE GRADE 5 OR LOWER.

COMPLETE GOODS LISTINGS

COMPLETE GOODS ARE LISTED IN BOLD FACE TYPE. ORDER SEPARATELY. DO NOT INCLUDE ON REPLACEMENT PARTS ORDER.

SI UNITS OF MEASURE

METRIC DIMENSIONS ARE GIVEN, WHERE APPLICABLE, THROUGHOUT THIS PARTS CATALOG.

CKSO SERVICE PARTS

SERVICE PARTS DESIGNATED CKSO ARE USED IN CERTAIN AREAS OF THE WORLD. IF YOUR SOURCE OF SERVICE PARTS IS IN EUROPE OR AFRICA, ORDER THESE PARTS DESIGNATED CKSO.

CHANGE INDICATOR LINE (MICROFICHE CATALOGS ONLY)

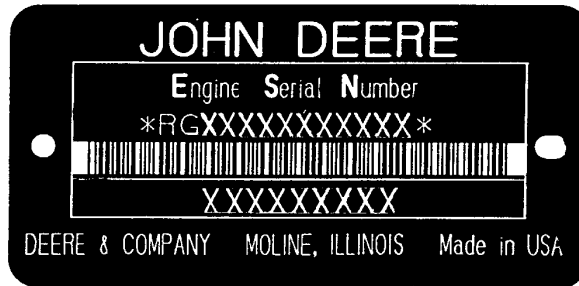
CHANGES AFFECTING THE ORDERING OF PARTS ARE IDENTIFIED BY VERTICAL LINES MARKED IN THE LEFT-HAND MARGIN OF REVISED PARTS LISTING IMAGES. A LINE IS ALSO AT THE LEFT-HAND EDGE OF THE SAME PART NUMBER IN THE NUMERICAL INDEX TO SHOW THE LOCATION OF REVISED INFORMATION.

1A4

9950 COTTON PICKER

TWO LINE BAR CODED ENGINE SERIAL NUMBER PLATE (LOCATED ON FUEL INJECTION PUMP SIDE OF ENGINE)

RGP3513 -UN-01JAN94



RGP3513

6466

FIRST LINE

RG - WATERLOO ENGINE WORKS
6
466
A - TURBOCHARGED AND AFTERCOOLED
XXXXXX

DEFINES

DESIGNATES ENGINE MANUFACTURER.
DESIGNATES NUMBER OF CYLINDERS.
DESIGNATES CUBIC INCH DISPLACEMENT.
DESIGNATES TYPE OF AIR INTAKE SYSTEM.
DESIGNATES ENGINE SERIAL NUMBER.

SECOND LINE

6466AN-02

9950 COTTON PICKER APPLICATION

MEMORANDA

**Thanks very much for your reading,
Want to get more information,
Please click here, Then get the complete
manual**

JustClickHere 

NOTE:

**If there is no response to click on the link above,
please download the PDF document first, and then
click on it.**

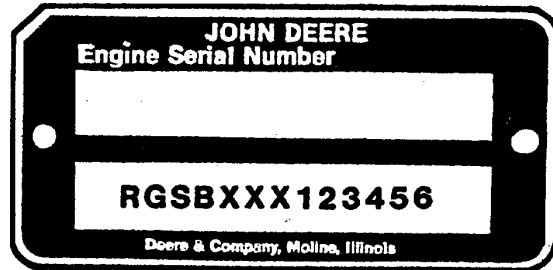
**Have any questions please write to me:
admin@servicemanualperfect.com**

1A5

9950 COTTON PICKER

SHORT BLOCK SERIAL NUMBER PLATE

RGP2856 -UN-01JAN94



RGP2856

A SHORT BLOCK SERIAL NUMBER PLATE IS ATTACHED TO REPLACEMENT SHORT BLOCK ASSEMBLIES. THIS NUMBER WILL BE REFERRED TO WHEN NEW PARTS AFFECT THE SHORT BLOCK ASSEMBLY. THE PREVIOUS ENGINE SERIAL NUMBER SHOULD BE STAMPED INTO THE BLANK SPACE PROVIDED, AS A REFERENCE FOR YOUR DEALER.

- | | |
|--|----------------------------|
| 1. DESIGNATES ENGINE MANUFACTURE. | RG - WATERLOO ENGINE WORKS |
| 2. DESIGNATES REPLACEMENT SHORT BLOCK. | SB |
| 3. DESIGNATES CUBIC INCH. | XXX |
| 4. DESIGNATES ENGINE SERIAL NUMBER. | |

1A6

9950 COTTON PICKER

SECTION INDEX

GENERAL INFORMATION	10
ENGINE	20
FUEL AND AIR	30
ELECTRICAL	40
POWER TRAIN	50
STEERING AND BRAKES	60
HYDRAULICS	70
WHEELS, REAR AXLES AND SHEET METAL	80
OPERATOR STATION	90
PICKING UNIT LIFT	100
PICKING UNIT CABINET	110
PICKING UNIT SYSTEM	120
PICKING UNIT LUBRICATION SYSTEM	130
WATER SYSTEM	140
AIR SYSTEM	150
BASKET	160
DECALS	170
NUMERICAL INDEX	180

1A7

9950 COTTON PICKER

ALPHABETICAL INDEX

GRID		PAGE	GRID		PAGE
A					
1J23	ACCUMULATOR	60 - 22	3C1	BASKET LID FRONT AND SIDE FRAMES	160 - 12
1D10	ADAPTER, EXHAUST	30 - 20	3C4	BASKET LID LINKAGE	160 - 15
2E3	ADJUSTABLE REAR AXLE TIE RODS	80 - 20	3C3	BASKET LID REAR FRAME	160 - 14
2D24	ADJUSTABLE TREAD REAR AXLE	80 - 17	3B24	BASKET LID, SCREENS, GRATES	160 - 11
2E1	ADJUSTABLE TREAD REAR AXLE KNEE	80 - 18	2B15	BASKET LIFT HYDRAULIC HOSES AND FITTINGS	70 - 22
2F1	ADJUSTMENT, SEAT	90 - 16	3D3	BASKET SIDE, L.H. LOWER, CONVEYOR BASKET	160 - 40
1C22	AFTERCOOLER	30 - 6	3D5	BASKET SIDE, L.H. UPPER, CONVEYOR BASKET.....	160 - 42
1C24	AFTERCOOLER	30 - 8	3B21	BASKET SIDE, L.H., STANDARD BASKET	160 - 8
1D7	AID, COLD WEATHER STARTING.....	30 - 16	2B15	BASKET STOP VALVE	70 - 22
1C18	AIR CLEANER	30 - 1	3B17	BASKET SUPPORT	160 - 4
1C19	AIR CLEANER BRACKET	30 - 3	3B15	BASKET VALVE CONTROL LEVER AND LINKAGE.....	160 - 2
2G3	AIR CONDITIONING COMPRESSOR PARTS	90 - 44	3B14	BASKET WITH CONVEYOR COMPLETE	160 - 1
2G5	AIR CONDITIONING COMPRESSOR(NIPPONDENSO)	90 - 46	3B19	BASKET, R.H. SIDE AND FLOOR	160 - 6
3A20	AIR DUCT, TRANSITION	150 - 2	1E19	BATTERY AND CABLES (SERIAL NO. 101-2000)	40 - 10
3A22	AIR DUCTS, UNIT TO BASKET	150 - 4	1E20	BATTERY AND CABLES (SERIAL NO. 2001-)	40 - 11
2F19	AIR FILTER, CAB	90 - 35	1H5	BEARING, DIFFERENTIAL QUILLS	50 - 14
1C20	AIR INTAKE TUBES	30 - 4	2I23	BEARING, PICKER BAR	120 - 24
2F18	AIR LOUVER, PANEL AND SWITCHES	90 - 34	1H15	BEARING,SEAL,HYDRO.DR.PUMP FRONT COVER	
1G1	AIR SWITCH INSTRUMENT PANEL	40 - 42		ASSY (EATON)	50 - 25
1F1	ALTERNATOR (90 AMP)		1B16	BEARINGS, MAIN	20 - 23
	(SERIAL NO. 2001-)	40 - 16	1H19	BEARINGS,HYDRO. DRIVE PUMP (EATON)	50 - 29
1E23	ALTERNATOR (90-AMP)		1E6	BELLCRANK, THROTTLE	30 - 44
	(SERIAL NO. 101-2000)	40 - 14	2G7	BELT, COMPRESSOR.....	90 - 48
1E21	ALTERNATOR AND MOUNTING BRACKETS	40 - 12	3B5	BELT, COTTON FAN (S.N. 4001-).....	150 - 12
1F12	AM RADIO KIT (TY15278)	40 - 28	3B3	BELT, COTTON FAN (S.N. 101-4000)	150 - 10
1F12	AM-FM STEREO RADIO KIT (TY15279)	40 - 28	1C7	BELT, ENGINE FAN	20 - 43
1E3	ANEROID ACTIVATOR, HYDRAULIC	30 - 40	1E21	BELTS, ALTERNATOR	40 - 12
1D23	ANEROID CONTROLS AND FUEL SHUT-OFF	30 - 35	2I3	BELTS, UNIT DRIVE	120 - 2
1F15	ANTENNA BRACKET KIT, LEFT-HAND	40 - 31	2F23	BLADE, WINDSHIELD WIPER	90 - 39
1F14	ANTENNA, EXTERIOR MOUNTED	40 - 30	1B5	BLOCK, CYLINDER	20 - 10
2E3	ARM, STEERING MOTOR	80 - 20	1B7	BLOCK, ENGINE SHORT	20 - 12
1E15	ARMATURE, STARTER	40 - 5	2F16	BLOWER, PRESSURIZER	90 - 32
2E21	ARMREST, SEAT (PERSONAL-POSTURE™ SEAT) ..	90 - 12	1A22	BOLTS, HEAD	20 - 2
1B1	ARMS, ROCKER	20 - 6	2H1	BOTTOM FRAMES	110 - 4
3C5	AUGER, BASKET COMPACTOR	160 - 16	1C19	BRACKET, AIR CLEANER	30 - 3
1H8	AXLE AND PLANETARY, DIFFERENTIAL	50 - 18	2B9	BRACKET, CONTROL VALVE	70 - 16
1H7	AXLE HOUSING WITH DRIVE GEAR	50 - 17	2E7	BRACKET, FIRE EXTINGUISHER	80 - 24
2C21	AXLE STABILIZER CYLINDER, 3 1/2 X 10"	70 - 56	1D22	BRACKET, FUEL SHUT-OFF	30 - 34
2D24	AXLE, ADJUSTABLE TREAD REAR	80 - 17	2H21	BRACKET, HEIGHT SENSING VALVE MOUNTING	110 - 24
B					
2H3	BAFFLES, PICKING UNIT	110 - 6	2G7	BRACKETS, MOUNTING, COMPRESSOR	90 - 48
3C18	BAR, METERING	160 - 30	2G10	BRACKETS, UNIT LIFT	100 - 1
2I21	BAR, PICKER.....	120 - 22	1J12	BRAKE LINES (SERIAL NO. 101-2000).....	60 - 10
2F25	BAR, REAR VIEW MIRROR	90 - 41	1J14	BRAKE LINES (SERIAL NO. 2001-4000).....	60 - 12
2H5	BARS, GRID	110 - 8	1J16	BRAKE LINES (SERIAL NO. 4001-).....	60 - 14
3C5	BASKET COMPACTOR AUGER AND SUPPORTS.....	160 - 16	1J18	BRAKE PEDALS	60 - 17
2C5	BASKET COMPACTOR HYDRAULIC TUBES	70 - 38	1J25	BRAKE PLATE AND FACING.....	60 - 24
3C7	BASKET COMPACTOR MOTOR AND DRIVE.....	160 - 19	1J19	BRAKE VALVE.....	60 - 18
3B14	BASKET COMPLETE.....	160 - 1	1J21	BRAKE VALVE, REPAIR KIT	60 - 20
3B23	BASKET CYLINDER END LUBRICATION LINES	160 - 10	1F3	BREAKERS, CIRCUIT	40 - 18
3C10	BASKET EXTENSION, 12-INCH		1I3	BRG.-SEAL-HYDRO.DR.PUMP FRONT COVER ASSY	
	(ON BASKET WITH CONVEYOR)	160 - 22		(SUNDSTRAND)	50 - 41
3C8	BASKET EXTENSION, 12-INCH		1I6	BRGS,TRUNNIONS,HYDRO.DR.PUMP SWASHPLATE	
	(ON STANDARD BASKET).....	160 - 20		(SUNDSTRAND)	50 - 44
3C14	BASKET EXTENSION, 24-INCH		1B22	BYPASS VALVE, OIL COOLER	20 - 30
	(ON BASKET WITH CONVEYOR)	160 - 26	C		
3C12	BASKET EXTENSION, 24-INCH		2F19	CAB AIR FILTER AND HOUSING	90 - 35
	(ON STANDARD BASKET).....	160 - 24	2F8	CAB DOOR (SOUND-GARD CAB)	90 - 24
3D1	BASKET FLOOR FOR CONVEYOR.....	160 - 38	2F10	CAB REAR UPHOLSTERY	90 - 26
2C19	BASKET HYDRAULIC CYLINDER	70 - 54	2F12	CAB ROOF AND SUPPORTS.....	90 - 28
3C16	BASKET LID COVERS AND FLAP		2F15	CAB ROOF HEADLINER.....	90 - 31
	12" EXTENSION WITH CONVEYOR	160 - 28	2J16	CAB TO UNIT LUBRICATION VALVE	
				(SERIAL NO. 101-2000)	130 - 10
			2J18	CAB TO UNIT LUBRICATION VALVE	
				(SERIAL NO. 2001-)	130 - 12

1A8

9950 COTTON PICKER

ALPHABETICAL INDEX - CONTINUED

GRID		PAGE	GRID		PAGE
2F6	CAB WINDOWS (SOUND-GARD).....	90 - 21	2E10	CONSOLE (S.N. 101-4000).....	90 - 1
1F18	CAB WIRING DIAGRAM	40 - 34	2E11	CONSOLE (S.N. 4001-).....	90 - 2
2F5	CAB, SOUND-GARD	90 - 20	1E11	CONSOLE INSTRUMENT GAUGES.....	40 - 1
1D23	CABLE, FUEL SHUT-OFF.....	30 - 35	1I11	CONTROL HANDLE, HYDRO. DR. DISPLACEMENT (SUNDSTRAND) (S.N. 2001-6000).....	50 - 50
1E6	CABLE, THROTTLE.....	30 - 44	1I14	CONTROL HANDLE, HYDRO. DR. DISPLACEMENT (SUNDSTRAND) (S.N. 6001-).....	50 - 54
1E19	CABLES, BATTERY (SERIAL NO. 101-2000)	40 - 10	1D20	CONTROL LINES, FUEL.....	30 - 32
1E20	CABLES, BATTERY (SERIAL NO. 2001-)	40 - 11	2B9	CONTROL VALVE AND BRACKET	70 - 16
2I21	CAM FOLLOWER ARM.....	120 - 22	2B11	CONTROL VALVE SEAL REPAIR KIT.....	70 - 18
2I16	CAM, PICKER BAR (SERIAL NO. 101-2000)	120 - 16	2C16	CONTROL VALVE, COMPACTOR/CONVEYOR	70 - 50
2I18	CAM, PICKER BAR (SERIAL NO. 2001-).....	120 - 18	1I12	CONTROL VALVE, HYDROSTATIC (S.N. 6001-).....	50 - 52
1B2	CAMSHAFT	20 - 7	1I9	CONTROL VALVE, HYDROSTATIC (SUNDSTRAND) (S.N. 2001-6000).....	50 - 48
1B2	CAMSHAFT GEAR.....	20 - 7	1H21	CONTROL VALVE, HYDRO. DR. DISPLACEMENT (EATON).....	50 - 32
1D12	CAP, FUEL TANK	30 - 22	1D23	CONTROLS, ANEROID	30 - 35
2I16	CAP, PICKER BAR (SERIAL NO. 101-2000).....	120 - 16	1F10	CONTROLS, TURN SIGNAL.....	40 - 26
2I18	CAP, PICKER BAR (SERIAL NO. 2001-).....	120 - 18	3D3	CONVEYOR BASKET, L.H. SIDE LOWER	160 - 40
1C4	CAP, RADIATOR	20 - 40	3D5	CONVEYOR BASKET, L.H. SIDE UPPER	160 - 42
1H3	CASE, DIFFERENTIAL	50 - 12	2D6	CONVEYOR HYDRAULIC MOTOR (TWR (ROSS GEAR)).....	70 - 66
1H4	CASE, DIFFERENTIAL COVER	50 - 13	2D4	CONVEYOR HYDRAULIC MOTOR (WHITE).....	70 - 64
2I5	CASE, GEAR UNIT DRIVE, INNER	120 - 4	2D7	CONVEYOR HYDRAULIC MOTOR REPAIR KIT (TWR (ROSS GEAR)).....	70 - 67
2I7	CASE, GEAR UNIT DRIVE, OUTER	120 - 6	2D5	CONVEYOR HYDRAULIC MOTOR REPAIR KIT (WHITE)	70 - 65
1G21	CASE, TRANSMISSION	50 - 6	3C21	CONVEYOR MOTOR AND DRIVE	160 - 34
1D4	CENTER HOUSING, TURBOCHARGER	30 - 13	2C9	CONVEYOR MOTOR HYDRAULIC HOSES	70 - 42
1D6	CENTER HOUSING, TURBOCHARGER	30 - 15	3C23	CONVEYOR ROCKSHAFT AND PIVOTS	160 - 36
1H23	CENTER SECTION, HYDRO, DRIVE (EATON).....	50 - 34	1C3	COOLANT CONDITIONER	20 - 37
1I15	CENTER SECTION, HYDROSTATIC DRIVE (SUNDSTRAND)	50 - 55	1A24	COOLANT TEMPERATURE SENDER	20 - 4
3C21	CHAIN, CONVEYOR	160 - 34	1B24	COOLER, ENGINE OIL	20 - 32
3C18	CHAIN, METERING DRIVE	160 - 30	1B25	COOLER, ENGINE OIL	20 - 33
1H25	CHARGE PRESSURE RELIEF VALVE BLOCK (EATON).....	50 - 37	1I24	COOLER, HYDROSTATIC OIL	50 - 65
1I20	CHARGE PUMP, HYDROSTATIC.....	50 - 61	3A20	COTTON DOORS	150 - 2
1I21	CHARGE PUMP, HYDROSTATIC DRIVE	50 - 62	3A19	COTTON FAN COMPLETE	150 - 1
3D8	CHASSIS DECAL SET	170 - 1	2D19	COTTON FAN COVER	80 - 11
1F5	CIRCUIT BREAKER SUPPORT KIT	40 - 21	1H1	COUNTERSHAFT, TRANSMISSION.....	50 - 10
1F3	CIRCUIT BREAKERS	40 - 18	2I3	COUNTERSHAFT, UNIT DRIVE	120 - 2
1C18	CLEANER, AIR.....	30 - 1	3C16	COVER, BASKET LID, 12" EXT W/CONVEYOR.....	160 - 28
2G5	CLUTCH, COMPRESSOR (NIPPONDENSO).....	90 - 46	3C20	COVER, CHAIN, METERING DRIVE	160 - 33
2J11	CLUTCH, LUBRICATION PUMP.....	130 - 4	1H4	COVER, DIFFERENTIAL CASE	50 - 13
2J13	CLUTCH, LUBRICATION PUMP.....	130 - 7	2F8	COVER, DOOR TRACK	90 - 24
2G5	COIL, COMPRESSOR (NIPPONDENSO).....	90 - 46	1H15	COVER, FRONT, HYDRO. DRIVE PUMP (EATON)	50 - 25
1E17	COIL, STARTER	40 - 7	1I3	COVER, FRONT, HYDROSTATIC DRIVE PUMP (SUNDSTRAND)	50 - 41
1D7	COLD WEATHER STARTING AID	30 - 16	1B18	COVER, INJECTION PUMP ACCESS	20 - 26
2K18	COLUMN, MOISTENER.....	140 - 16	2H7	COVER, INSPECTION.....	110 - 10
1E16	COMMUTATOR END FRAME, STARTER	40 - 6	1A21	COVER, ROCKER ARM	20 - 1
3C5	COMPACTOR AUGER AND SUPPORTS	160 - 16	2D21	COVER, STABILIZER CYLINDER.....	80 - 14
2C23	COMPACTOR HYDRAULIC MOTOR (CHAR-LYNN).....	70 - 58	1E18	COVER, STARTER SOLENOID SWITCH	40 - 8
2C25	COMPACTOR HYDRAULIC MOTOR (WHITE)	70 - 60	1B3	COVER, TACH DRIVE GEAR.....	20 - 8
2D1	COMPACTOR HYDRAULIC MOTOR KIT (WHITE)	70 - 61	1B18	COVER, TIMING GEAR.....	20 - 26
2C16	COMPACTOR/CONVEYOR CONTROL VALVE.....	70 - 50	2F14	COVERS AND INNER ROOF	90 - 30
2C18	COMPACTOR/CONVEYOR VALVE REPAIR KIT	70 - 53	2D16	COVERS, STEERING MOTOR	80 - 8
3C7	COMPACTOR, MOTOR DRIVE	160 - 19	1B14	CRANKSHAFT	20 - 21
2G7	COMPRESSOR BELT AND MOUNTING BRACKETS....	90 - 48	1B15	CRANKSHAFT DAMPER.....	20 - 22
2G5	COMPRESSOR CLUTCH PULLEY (NIPPONDENSO) ..	90 - 46	1B18	CRANKSHAFT FRONT OIL SEAL	20 - 26
2G5	COMPRESSOR COIL (NIPPONDENSO)	90 - 46	1B17	CRANKSHAFT OIL SEAL	20 - 25
1B15	COMPRESSOR DRIVE PULLEY	20 - 22	1B17	CRANKSHAFT OIL SEAL HOUSING	20 - 25
2G6	COMPRESSOR HARDWARE KIT (NIPPONDENSO)	90 - 47	1B15	CRANKSHAFT PULLEY	20 - 22
2G3	COMPRESSOR HEAD.....	90 - 44	2I11	CROSS SHAFT AND SHIELD (SERIAL NO. 101-2000)	120 - 10
2G3	COMPRESSOR PARTS.....	90 - 44	2I12	CROSS SHAFT AND SHIELD (SERIAL NO. 2001-)	120 - 11
2G3	COMPRESSOR SEAL KIT	90 - 44			
2G5	COMPRESSOR, AIR CONDITIONING (NIPPONDENSO).....	90 - 46			
1I24	CONDENSER, AIR CONDITIONER	50 - 65			
1C3	CONDITIONER, COOLANT.....	20 - 37			
1B12	CONNECTING RODS	20 - 18			
1G8	CONNECTOR, ELECTRICAL, SERVICE KIT.....	40 - 50			
1G12	CONNECTORS, ELECTRICAL, WEATHERPACK	40 - 54			
1D24	CONNECTORS, FUEL INJECTION PUMP HOUSING ..	30 - 36			

1A10

9950 COTTON PICKER

ALPHABETICAL INDEX - CONTINUED

GRID		PAGE	GRID		PAGE
2E15	FLOOR, PLATFORM	90 - 6	3B24	GRATES, BASKET LID	160 - 11
1B13	FLYWHEEL.....	20 - 19	2H15	GRATES, STALK LIFTER	110 - 18
2K14	FOOT FLUSH VALVE	140 - 12	2H5	GRID BARS AND SUPPORTS	110 - 8
2D10	FRAME, MAIN	80 - 2	2H6	GRID BARS, FRONT	110 - 9
2E13	FRAME, PLATFORM	90 - 4	1F12	GRILLE, AM RADIO (TY15278)	40 - 28
2H1	FRAMES BOTTOM AND STIFFENER	110 - 4	1F12	GRILLE, AM-FM STEREO RADIO (TY15279)	40 - 28
1H15	FRONT COVER, HYDRO. DRIVE PUMP (EATON).....	50 - 25	1E8	GUN, DRY AIR CLEANER ELEMENT CLEANING	30 - 46
1I3	FRONT COVER, HYDROSTATIC DRIVE PUMP (SUNDSTRAND)	50 - 41			
2H11	FRONT DRUM PRESSURE PLATES.....	110 - 14		H	
2H9	FRONT DRUM SIDE SHEETS AND PANELS	110 - 12	2G23	HANDRAIL, PICKING UNIT UPPER HOUSING.....	110 - 2
2H6	FRONT PICKING UNIT GRID BARS	110 - 9	2G6	HARDWARE KIT, COMPRESSOR (NIPPONDENSO)	90 - 47
2H13	FRONT SWING DOOR	110 - 16	1B19	HARNESS, MAGNETIC PICK-UP	20 - 27
1F7	FRONT WARNING LAMP	40 - 23	1F16	HARNESS, WIRING.....	40 - 32
1C9	FRONT WATER MANIFOLD	20 - 45	1F17	HARNESS, WIRING, LUBRICATION SYSTEM	40 - 33
1D13	FUEL CHECK VALVE	30 - 24	1F24	HARNESS, WIRING, MONITOR	40 - 40
1D15	FUEL CHECK VALVE	30 - 27	1F20	HARNESS, WIRING, OPERATOR PRESENCE	40 - 36
1D20	FUEL CONTROL LINES	30 - 32	1F3	HARNESS, WIRING, STARTER AND POWER	40 - 18
1D13	FUEL FILTER.....	30 - 24	1A22	HEAD BOLTS.....	20 - 2
1D15	FUEL FILTER.....	30 - 27	1A22	HEAD GASKET	20 - 2
1D15	FUEL FILTER PIPES.....	30 - 27	1F6	HEAD LAMP	40 - 22
1D18	FUEL INJECTION LINES.....	30 - 30	1A22	HEAD, CYLINDER	20 - 2
1D17	FUEL INJECTION NOZZLE.....	30 - 29	2I16	HEAD, PICKER BAR (SERIAL NO. 101-2000)	120 - 16
1D18	FUEL INJECTION NOZZLE.....	30 - 30	2I18	HEAD, PICKER BAR (SERIAL NO. 2001-).....	120 - 18
1E1	FUEL INJECTION PUMP GOVERNORS LEVERS AND CONTROL	30 - 38	2F15	HEADLINER, CAB ROOF	90 - 31
1D24	FUEL INJECTION PUMP HOUSING CONNECTORS	30 - 36	2F20	HEATER CONTROL VALVE AND HOSES	90 - 36
1D20	FUEL INJECTION PUMP LUBE LINES	30 - 32	1G4	HEATER, ENGINE COOLANT	40 - 45
1D13	FUEL PIPES.....	30 - 24	2B13	HEIGHT SENSING HYDRAULICS	70 - 20
1D22	FUEL SHUT-OFF BRACKET.....	30 - 34	2H17	HEIGHT SENSING LINKAGE, INNER	110 - 20
1D23	FUEL SHUT-OFF CONTROLS	30 - 35	2H19	HEIGHT SENSING OUTER LINKAGE AND SHOE	110 - 22
1D12	FUEL TANK	30 - 22	2C12	HEIGHT SENSING UNIT VALVE (SERIAL NO. 101-2000)	70 - 46
1E4	FUEL TRANSFER PUMP	30 - 42	2C13	HEIGHT SENSING UNIT VALVE (SERIAL NO. 2001-4000)	70 - 47
1E5	FUEL TRANSFER PUMP	30 - 43	2C14	HEIGHT SENSING UNIT VALVE (SERIAL NO. 4001-)	70 - 48
	G		2H21	HEIGHT SENSING VALVE MOUNTING BRACKETS	110 - 24
2J5	GAGES, DOFFER	120 - 30	1H24	HIGH PRESSURE RELIEF VALVE (EATON).....	50 - 35
1C14	GASKET KIT, CYLINDER HEAD	20 - 50	2D12	HOOD, ENGINE.....	80 - 4
1C14	GASKET KIT, ENGINE REBUILD	20 - 50	2D18	HOOD, REAR.....	80 - 10
1D10	GASKET, EXHAUST MANIFOLD	30 - 20	2H7	HOOD, UNIT, R.H. AND L.H., WITH DECALS	110 - 10
1A22	GASKET, HEAD	20 - 2	2E7	HOSE, FIRE EXTINGUISHER.....	80 - 24
1B10	GASKET, OIL PAN	20 - 16	1J12	HOSE, STEERING RETURN (SERIAL NO. 101-2000)	60 - 10
1A21	GASKET, ROCKER ARM COVER	20 - 1	1J14	HOSE, STEERING RETURN (SERIAL NO. 2001-4000)	60 - 12
1C9	GASKET, WATER MANIFOLD	20 - 45	1J16	HOSE, STEERING RETURN (SERIAL NO. 4001-)	60 - 14
1I11	GASKET, HYDRO. DR. DISPLACEMENT CTL. VALVE (SUNDSTRAND) (S.N. 2001-6000).....	50 - 50	1D12	HOSES, FUEL	30 - 22
1I14	GASKET, HYDRO. DR. DISPLACEMENT CTL. VALVE (SUNDSTRAND) (S.N. 6001-).....	50 - 54	2F20	HOSES, HEATER	90 - 36
1C24	GASKETS, INTAKE MANIFOLD	30 - 8	2B15	HOSES, HYDRAULIC BASKET LIFT	70 - 22
1E12	GAUGES AND INDICATOR LAMPS.....	40 - 2	2B18	HOSES, HYDRAULIC RETURN (SERIAL NO. 101-2000)	70 - 26
1E11	GAUGES, CONSOLE.....	40 - 1	2B20	HOSES, HYDRAULIC RETURN (SERIAL NO. 2001-)	70 - 28
2I5	GEAR CASE, INNER UNIT DRIVE.....	120 - 4	2C5	HOSES, HYDRAULIC, BASKET COMPACTOR.....	70 - 38
2I7	GEAR CASE, OUTER UNIT DRIVE	120 - 6	2J16	HOSES, LUBRICATION CAB TO UNIT (SERIAL NO. 101-2000)	130 - 10
1B3	GEAR COVER, TACH DRIVE.....	20 - 8	2J18	HOSES, LUBRICATION CAB TO UNIT (SERIAL NO. 2001-)	130 - 12
1B2	GEAR, CAMSHAFT	20 - 7	1C4	HOSES, RADIATOR	20 - 40
1B14	GEAR, OIL PUMP DRIVE	20 - 21	2K12	HOSES, WATER CONTROL (SERIAL NO. 101-2000)	140 - 10
1B13	GEAR, STARTER.....	20 - 19	2K13	HOSES, WATER CONTROL (SERIAL NO. 2001-)	140 - 11
2I5	GEARS AND SHAFT (DRIVE HOUSING), INNER.....	120 - 4	1J7	HOUSING AND CONNECTORS, STEERING VALVE	60 - 4
2I7	GEARS AND SHAFT (DRIVE HOUSING), OUTER	120 - 6			
2I20	GEARS, PICKER BAR.....	120 - 20			
1G23	GEARS, TRANSMISSION	50 - 8			
1H1	GEARS, TRANSMISSION	50 - 10			
2I13	GEARS, UPPER HOUSING	120 - 12			
1E1	GOVERNOR LEVERS AND CONTROLS, FUEL INJECTION PUMP.....	30 - 38			

1A11

9950 COTTON PICKER

ALPHABETICAL INDEX - CONTINUED

GRID	PAGE	GRID	PAGE
1B17	HOUSING, CRANKSHAFT OIL SEAL.....	20 - 25	
2I15	HOUSING, DRUM SLIP CLUTCH.....	120 - 15	
3B1	HOUSING, FAN	150 - 8	
1I4	HOUSING, HYDROSTATIC DRIVE PUMP (SUNDSTRAND)	50 - 42	
1H16	HOUSING, HYDROSTATIC DRIVE PUMP (EATON).....	50 - 26	
2G22	HOUSING, PICKING UNIT	110 - 1	
2G23	HOUSING, PICKING UNIT UPPER	110 - 2	
1E15	HOUSING, STARTER DRIVE	40 - 5	
1C9	HOUSING, THERMOSTAT, FRONT	20 - 45	
1D3	HOUSING, TURBOCHARGER	30 - 12	
1D5	HOUSING, TURBOCHARGER	30 - 14	
1D4	HOUSING, TURBOCHARGER CENTER	30 - 13	
1D6	HOUSING, TURBOCHARGER CENTER	30 - 15	
2J1	HOUSING, UPPER DOFFER	120 - 26	
2I13	HOUSING, UPPER DRIVE GEARS	120 - 12	
1H6	HUB AND QUILL, DIFFERENTIAL	50 - 15	
1E3	HYDRAULIC ANEROID ACTIVATOR	30 - 40	
2C19	HYDRAULIC CYLINDER, BASKET.....	70 - 54	
2C21	HYDRAULIC CYLINDER, 3-1/2" X 10"	70 - 56	
2C9	HYDRAULIC HOSES, CONVEYOR MOTOR	70 - 42	
2C7	HYDRAULIC HOSES, PRESSURE CONTROL VALVE (S.N. 101-4000)	70 - 40	
2B22	HYDRAULIC HOSES, STABILIZER CYLINDER.....	70 - 30	
2C3	HYDRAULIC LINE, MAIN PRESSURE (SERIAL NO. 4001-)	70 - 36	
2C1	HYDRAULIC LINES, MAIN PRESSURE (SERIAL NO. 2001-4000)	70 - 34	
2D2	HYDRAULIC MOTOR (CHAR-LYNN)	70 - 62	
2C24	HYDRAULIC MOTOR REPAIR KIT.....	70 - 59	
2D6	HYDRAULIC MOTOR, CONVEYOR (TWR (ROSS GEAR)).....	70 - 66	
2D4	HYDRAULIC MOTOR, CONVEYOR (WHITE)	70 - 64	
2B17	HYDRAULIC OIL RESERVOIR	70 - 25	
2D8	HYDRAULIC OIL, AND TRANSMISSION	70 - 69	
2A23	HYDRAULIC PUMP (SERIAL NO. 101-2000)	70 - 6	
2B3	HYDRAULIC PUMP (SERIAL NO. 2001-).....	70 - 10	
2A22	HYDRAULIC PUMP ASSEMBLY, REPLACEMENT	70 - 5	
2B1	HYDRAULIC PUMP OVERHAUL KIT (1.38 IN3)	70 - 8	
2B7	HYDRAULIC PUMP OVERHAUL KIT (2.4 IN3)	70 - 14	
2B5	HYDRAULIC PUMP STROKE CONTROL VALVE (SERIAL NO. 2001-)	70 - 12	
2A20	HYDRAULIC PUMP, DRIVE AND SUPPORTS (SERIAL NO. 101-2000)	70 - 2	
2A21	HYDRAULIC PUMP, DRIVE AND SUPPORTS (SERIAL NO. 2001-)	70 - 3	
2B18	HYDRAULIC RETURN TUBES AND HOSES (SERIAL NO. 101-2000)	70 - 26	
2B20	HYDRAULIC RETURN TUBES AND HOSES (SERIAL NO. 2001-)	70 - 28	
2C5	HYDRAULIC TUBES, BASKET COMPACTOR	70 - 38	
2B13	HYDRAULICS, UNIT LIFT AND HEIGHT SENSING	70 - 20	
1H23	HYDRO. DR. CENTER SECTION (EATON).....	50 - 34	
1H21	HYDRO. DR. DISPLACEMENT CONTROL VALVE (EATON).....	50 - 32	
1H20	HYDRO. DR. PUMP SERVO PISTON ASSEMBLIES (EATON).....	50 - 31	
1I4	HYDRO. DRIVE PUMP CYLINDER BLOCK (SUNDSTRAND)	50 - 42	
1H18	HYDRO. DRIVE PUMP CYLINDER BLOCK KIT (EATON).....	50 - 28	
1H15	HYDRO. DRIVE PUMP FRONT COVER (EATON)	50 - 25	
1H18	HYDRO. DRIVE PUMP HOUSING KIT (EATON)	50 - 28	
1H19	HYDRO. DRIVE PUMP SWASHPLATE (EATON)	50 - 29	
1H19	HYDRO. DRIVE PUMP,SWASHPLATE,BEARINGS, AND TRUNNIONS (EATON).....	50 - 29	
1H18	HYDRO. DRIVE SHAFT KIT (EATON).....	50 - 28	
1I11	HYDRO.DR.DISPLACEMENT CONTROL HANDLE (SUNDSTRAND) (S.N. 2001-6000).....	50 - 50	
1I14	HYDRO.DR.DISPLACEMENT CONTROL HANDLE (SUNDSTRAND) (S.N. 6001-).....	50 - 54	
1I11	HYDRO.DR.DISPLACEMENT CTL.VALVE GASKET (SUNDSTRAND) (S.N. 2001-6000).....	50 - 50	
1I14	HYDRO.DR.DISPLACEMENT CTL.VALVE GASKET (SUNDSTRAND) (S.N. 6001-).....	50 - 54	
1I11	HYDRO.DR.DISPLACEMENT CTL.VALVE ORIFICE (SUNDSTRAND) (S.N. 2001-6000).....	50 - 50	
1I14	HYDRO.DR.DISPLACEMENT CTL.VALVE ORIFICE (SUNDSTRAND) (S.N. 6001-).....	50 - 54	
1I3	HYDRO.DR.PUMP FRONT COVER-BRG-SEAL ASSY. (SUNDSTRAND)	50 - 41	
1H15	HYDRO.DR.PUMP FRONT COVER,BRG,SEAL ASSY (EATON).....	50 - 25	
1I6	HYDRO.DR.PUMP SWASHPLATE,BRGS,TRUNNIONS (SUNDSTRAND)	50 - 44	
1I20	HYDROSTATIC CHARGE PUMP AND BELT	50 - 61	
1I15	HYDROSTATIC DRIVE CENTER SECTION (SUNDSTRAND)	50 - 55	
1I21	HYDROSTATIC DRIVE CHARGE PUMP	50 - 62	
1I22	HYDROSTATIC DRIVE CHARGE PUMP REPAIR KIT ..	50 - 63	
1I12	HYDROSTATIC DRIVE DISPLACEMENT VALVE (S.N. 6001-)	50 - 52	
1I9	HYDROSTATIC DRIVE DISPLACEMENT VALVE (SUNDSTRAND) (S.N. 2001-6000).....	50 - 48	
1I1	HYDROSTATIC DRIVE MOTOR (EATON).....	50 - 38	
1I16	HYDROSTATIC DRIVE MOTOR (SUNDSTRAND)	50 - 56	
1I23	HYDROSTATIC DRIVE OIL RESERVOIR	50 - 64	
1H16	HYDROSTATIC DRIVE PUMP CYLINDER BLOCK ASSEMBLY (EATON)	50 - 26	
1I3	HYDROSTATIC DRIVE PUMP FRONT COVER (SUNDSTRAND)	50 - 41	
1I4	HYDROSTATIC DRIVE PUMP HOUSING (SUNDSTRAND)	50 - 42	
1H16	HYDROSTATIC DRIVE PUMP HOUSING (EATON)	50 - 26	
1I7	HYDROSTATIC DRIVE PUMP SERVO ASSEMBLIES (SUNDSTRAND) (S.N. 101-4000).....	50 - 46	
1I8	HYDROSTATIC DRIVE PUMP SERVO ASSEMBLIES (SUNDSTRAND)(S.N. 4001-)	50 - 47	
1I6	HYDROSTATIC DRIVE PUMP SWASHPLATE (SUNDSTRAND)	50 - 44	
1H12	HYDROSTATIC DRIVE UNIT AND SHEAVE.....	50 - 22	
1I24	HYDROSTATIC OIL COOLER	50 - 65	
1J1	HYDROSTATIC OIL LINES	50 - 66	
1I18	HYDROSTATIC PUMP DRIVE AND SUPPORTS	50 - 58	
1F3	HYDROSTATIC SAFETY SWITCH	40 - 18	
1H13	HYDROSTATIC SPEED RANGE LEVER (SERIAL NO. 101-2000)	50 - 23	
1H14	HYDROSTATIC SPEED RANGE LEVER (SERIAL NO. 2001-)	50 - 24	
I			
1G3	IDLER CLUTCH SWITCH	40 - 44	
2I15	IDLER GEARS, DRUM SLIP CLUTCH.....	120 - 15	
3B7	IDLER, COTTON FAN (S.N. 101-4000)	150 - 14	
3B9	IDLER, COTTON FAN (S.N. 4001-)	150 - 16	
1E11	IGNITION SWITCH	40 - 1	
1B18	INJECTION PUMP ACCESS COVER.....	20 - 26	
2H17	INNER HEIGHT SENSING LINKAGE	110 - 20	
2F14	INNER ROOF.....	90 - 30	
2F14	INNER ROOF AND COVERS	90 - 30	
1G23	INPUT SHAFT	50 - 8	
2F24	INSIDE CAB MIRROR	90 - 40	

1A13

9950 COTTON PICKER

ALPHABETICAL INDEX - CONTINUED

GRID		PAGE	GRID		PAGE
2D10	MAIN FRAME	80 - 2	1B18	OIL SEAL, CRANKSHAFT FRONT	20 - 26
1E17	MAIN FRAME, STARTER	40 - 7	1C2	OIL, ENGINE	20 - 36
2C1	MAIN HYDRAULIC PRESSURE LINES (SERIAL NO. 2001-4000)	70 - 34	2D8	OIL, TRANSMISSION AND HYDRAULIC	70 - 69
2C3	MAIN HYDRAULIC PRESSURE LINES (SERIAL NO. 4001-)	70 - 36	2G8	OPERATOR PRESENCE INSPECTION BYPASS	90 - 49
2B24	MAIN HYDRAULIC PRESSURE TUBES (SERIAL NO. 101-2000)	70 - 32	1F20	OPERATOR PRESENCE WIRING HARNESS AND MODULE	40 - 36
1G17	MAIN SHIFT LEVER AND LINKAGE	50 - 2	1I11	ORIFICE, HYDRO. DR. DISPLACEMENT CTL. VALVE (SUNDSTRAND) (S.N. 2001-6000)	50 - 50
2D23	MAIN WHEEL	80 - 16	1I14	ORIFICE, HYDRO. DR. DISPLACEMENT CTL. VALVE (SUNSTRAND) (S.N. 6001-)	50 - 54
1D10	MANIFOLD, EXHAUST	30 - 20	2H19	OUTER HEIGHT SENSING LINKAGE	110 - 22
1C22	MANIFOLD, INTAKE	30 - 6	2H13	OUTER SIDE SWING DOOR	110 - 16
1C24	MANIFOLD, INTAKE	30 - 8	1C4	OVERFLOW TANK, RADIATOR	20 - 40
2J20	MANIFOLD, LUBRICATION, UPPER UNIT	130 - 14	2B1	OVERHAUL KIT, HYDRAULIC PUMP (1.38 IN3)	70 - 8
2J22	MANIFOLD, PICKER BAR LUBRICATION	130 - 17	2B7	OVERHAUL KIT, HYDRAULIC PUMP (2.4 IN3)	70 - 14
1C8	MANIFOLD, WATER OUTLET	20 - 44			
1C9	MANIFOLD, WATER, FRONT	20 - 45			
2F11	MAT	90 - 27		P	
3C18	METERING BAR AND DRIVE	160 - 30	2K18	PAD, MOISTENER	140 - 16
3C20	METERING DRIVE CHAIN COVER	160 - 33	1B10	PAN, OIL	20 - 16
1J6	METERING VALVE, STEERING	60 - 3	2F18	PANEL, AIR CONDITIONER	90 - 34
2F24	MIRROR, INSIDE CAB	90 - 40	1G1	PANEL, MONITOR AIR SWITCH	40 - 42
2F25	MIRROR, REAR VIEW	90 - 41	2H7	PANELS AND SIDE SHEETS	110 - 10
2K18	MOISTENER COLUMN	140 - 16	2H9	PANELS AND SIDE SHEETS	110 - 12
2K18	MOISTENER PAD	140 - 16	2F7	PANELS, R.H. CAB	90 - 22
1F23	MONITOR DISPLAY	40 - 39	1G20	PARK LOCK, TRANSMISSION	50 - 5
2E10	MONITOR SUPPORT PANEL (S.N. 101-4000)	90 - 1	1J18	PEDALS, BRAKE	60 - 17
2E11	MONITOR SUPPORT PANEL (S.N. 4001-)	90 - 2	1B19	PICK-UP, MAGNETIC	20 - 27
1F24	MONITOR WIRING HARNESS	40 - 40	2I21	PICKER BAR	120 - 22
3C7	MOTOR DRIVE, BASKET COMPACTOR	160 - 19	2I20	PICKER BAR DRIVE SHAFT	120 - 20
3C21	MOTOR, CONVEYOR	160 - 34	2H14	PICKER BAR DRUM LUBE LINES	110 - 17
2D2	MOTOR, HYDRAULIC (CHAR-LYNN)	70 - 62	2I23	PICKER BAR DRUM, STUD AND BEARING	120 - 24
2C23	MOTOR, HYDRAULIC, COMPACTOR (CHAR-LYNN)	70 - 58	2I16	PICKER BAR HEAD, CAM AND CAP (SERIAL NO. 101-2000)	120 - 16
2C25	MOTOR, HYDRAULIC, COMPACTOR (WHITE)	70 - 60	2I18	PICKER BAR HEAD, CAM AND CAP (SERIAL NO. 2001-)	120 - 18
2D6	MOTOR, HYDRAULIC, CONVEYOR (TWR (ROSS GEAR))	70 - 66	2J22	PICKER BAR LUBRICATION MANIFOLD	130 - 17
2D4	MOTOR, HYDRAULIC, CONVEYOR (WHITE)	70 - 64	2G22	PICKING UNIT COMPLETE	110 - 1
1I1	MOTOR, HYDROSTATIC DRIVE (EATON)	50 - 38	3D8	PICKING UNIT DECAL SET	170 - 1
1I16	MOTOR, HYDROSTATIC DRIVE (SUNDSTRAND)	50 - 56	2G22	PICKING UNIT HOUSING	110 - 1
1E14	MOTOR, STARTING	40 - 4	2H3	PICKING UNIT REAR POSTS AND BAFFLES	110 - 6
1J8	MOTOR, STEERING	60 - 6	2G23	PICKING UNIT UPPER HOUSING	110 - 2
2F23	MOTOR, WINDSHIELD WIPER	90 - 39	1D11	PIPE, EXHAUST	30 - 21
2D20	MUD SCRAPERS	80 - 13	1D13	PIPES, FUEL	30 - 24
1D11	MUFFLER AND EXHAUST PIPE	30 - 21	1D15	PIPES, FUEL FILTER	30 - 27
	N		1H20	PISTON ASSEMBLIES, HYDRO. DR. PUMP SERVO (EATON)	50 - 31
3A20	NOZZLE, AIR	150 - 2	1B12	PISTON RINGS	20 - 18
1D17	NOZZLE, FUEL INJECTION	30 - 29	1B12	PISTON, ENGINE	20 - 18
1D18	NOZZLE, FUEL INJECTION	30 - 30	1I7	PISTON, SERVO, HYDROSTATIC DRIVE PUMP (SUNDSTRAND)(S.N. 101-4000)	50 - 46
2K18	NOZZLE, MOISTENER	140 - 16	1I8	PISTON, SERVO, HYDROSTATIC DRIVE PUMP (SUNDSTRAND)(S.N. 4001-)	50 - 47
	O		3C23	PIVOT, ROCKSHAFT, FOR CONVEYOR	160 - 36
1B22	OIL COOLER BYPASS VALVE	20 - 30	1H8	PLANETARY AND AXLE, DIFFERENTIAL	50 - 18
1B24	OIL COOLER, ENGINE	20 - 32	2E6	PLANT SHIELDS	80 - 23
1B25	OIL COOLER, ENGINE	20 - 33	1J25	PLATE AND FACING, BRAKE	60 - 24
1B23	OIL FILTER, ENGINE	20 - 31	1A5	PLATE, SHORT BLOCK SERIAL NUMBER	10 - 3
1D1	OIL LINES, TURBOCHARGER	30 - 10	2H11	PLATES, PRESSURE, FRONT DRUM	110 - 14
1B10	OIL PAN	20 - 16	2H12	PLATES, PRESSURE, REAR DRUM	110 - 15
1B10	OIL PAN GASKET	20 - 16	2E15	PLATFORM FLOOR AND SKIRTS	90 - 6
1B14	OIL PUMP DRIVE GEAR	20 - 21	2E13	PLATFORM FRAME	90 - 4
1B20	OIL PUMP, ENGINE	20 - 28	2H9	POST, "JET AIR"	110 - 12
1I23	OIL RESERVOIR, HYDROSTATIC	50 - 64	1J4	POST, STEERING	60 - 1
1B17	OIL SEAL, CRANKSHAFT	20 - 25	2H3	POSTS, REAR, PICKING UNIT	110 - 6
			1C20	PRE SCREENER	30 - 4

1A15

9950 COTTON PICKER

ALPHABETICAL INDEX - CONTINUED

GRID		PAGE	GRID		PAGE
3C20	SHIELD, CHAIN, METERING DIRVE	160 - 33	1A25	STRAPS, LIFT	20 - 5
2I11	SHIELD, CROSS SHAFT (SERIAL NO. 101-2000)	120 - 10	2B5	STROKE CONTROL VALVE SHUT-OFF KIT (SERIAL NO. 2001-)	70 - 12
2I12	SHIELD, CROSS SHAFT (SERIAL NO. 2001-)	120 - 11	2B5	STROKE CONTROL VALVE, HYDRAULIC PUMP (SERIAL NO. 2001-)	70 - 12
2E6	SHIELDS, PLANT.....	80 - 23	2I23	STUD, PICKER BAR	120 - 24
2E3	SHIELDS, REAR AXLE	80 - 20	2I13	SUN GEAR, UPPER HOUSING	120 - 12
1G21	SHIFTER, CAM, TRANSMISSION	50 - 6	1G5	SUPPLEMENTARY TERMINALS AND CONNECTORS	40 - 47
2H17	SHOE, INNER HEIGHT SENSING	110 - 20	3B17	SUPPORT, BASKET	160 - 4
2H19	SHOE, OUTER HEIGHT SENSING	110 - 22	2K14	SUPPORT, FOOT FLUSH VALVE	140 - 12
1A5	SHORT BLOCK SERIAL NUMBER PLATE	10 - 3	2E23	SUPPORT, SEAT BACKREST (PERSONAL-POSTURE™ SEAT)	90 - 14
1B7	SHORT BLOCK, ENGINE	20 - 12	2E24	SUPPORT, SEAT SUSPENSION	90 - 15
1D22	SHUT-OFF BRACKET, FUEL	30 - 34	1J4	SUPPORT, STEERING POST.....	60 - 1
2H9	SIDE SHEETS AND PANELS.....	110 - 12	3A24	SUPPORTS, DUCT	150 - 6
2E15	SKIRTS, PLATFORM.....	90 - 6	1I24	SUPPORTS, HYDROSTATIC OIL COOLER	50 - 65
2I21	SLEEVE JOURNAL, PICKER BAR	120 - 22	1I18	SUPPORTS, HYDROSTATIC PUMP	50 - 58
2I16	SLEEVE JOURNAL, PICKER BAR (SERIAL NO. 101-2000)	120 - 16	2D16	SUPPORTS, RADIATOR	80 - 8
2I15	SLIP CLUTCH, DRUM.....	120 - 15	2D14	SUPPORTS, SIDE, ENGINE HOOD	80 - 6
3D3	SLOPE SHEET, LOWER, CONVEYOR BASKET	160 - 40	1H19	SWASHPLATE, HYDRO. DRIVE PUMP (EATON).....	50 - 29
3B21	SLOPE SHEET, STANDARD BASKET.....	160 - 8	1I6	SWASHPLATE, HYDROSTATIC DRIVE PUMP (SUNDSTRAND)	50 - 44
3D5	SLOPE SHEET, UPPER, CONVEYOR BASKET	160 - 42	1E18	SWITCH COVER, STARTER SOLENOID	40 - 8
1E18	SOLENOID SWITCH COVER, STARTER	40 - 8	1G1	SWITCH, AIR MONITOR.....	40 - 42
1E18	SOLENOID SWITCH, STARTER.....	40 - 8	1F9	SWITCH, DIMMER.....	40 - 25
2F5	SOUND-GARD CAB.....	90 - 20	1F3	SWITCH, HYDROSTATIC SAFETY	40 - 18
1C7	SPACER, ENGINE FAN	20 - 43	1G3	SWITCH, IDLER CLUTCH.....	40 - 44
1F13	SPEAKER KIT	40 - 29	1E18	SWITCH, STARTER SOLENOID.....	40 - 8
2K18	SPINDLE MOISTENER	140 - 16	2B17	SWITCH, THERMAL	70 - 25
2I21	SPINDLES, PICKER	120 - 22	1E13	SWITCH, UNIT LIFT	40 - 3
1H10	SPIRAL BEVEL GEAR, DIFFERENTIAL HOUSING	50 - 20	2F18	SWITCHES, AIR CONDITIONER	90 - 34
2J6	SPROCKET AND LINKAGE, DOFFER DRIVE TIGHT ..	120 - 31	1E11	SWITCHES, CONSOLE	40 - 1
2J1	SPROCKETS, UPPER DOFFER.....	120 - 26			
2I13	SPROCKETS, UPPER HOUSING.....	120 - 12		T	
2D21	STABILIZER CYLINDER COVER	80 - 14	1B3	TACH DRIVE GEAR COVER	20 - 8
2B22	STABILIZER CYLINDER HYDRAULIC HOSES	70 - 30	1B4	TACHOMETER.....	20 - 9
2G11	STABILIZER ROCKSHAFT AND TUBES	100 - 2	1D12	TANK, FUEL.....	30 - 22
2C15	STABILIZER VALVE	70 - 49	2J9	TANK, LUBRICATION	130 - 2
2H15	STALK LIFTERS	110 - 18	1C4	TANK, OVERFLOW, RADIATOR	20 - 40
2H22	STALKLIFTER RODS	110 - 25	2K6	TANK, WATER	140 - 4
3B21	STANDARD BASKET, L.H. SIDE	160 - 8	1J5	TELESCOPING STEERING.....	60 - 2
1E15	STARTER ARMATURE	40 - 5	1A24	TEMPERATURE SENDER, COOLANT.....	20 - 4
1E17	STARTER COIL	40 - 7	1G6	TERMINAL AND WIRING KIT.....	40 - 48
1E16	STARTER COMMUTATOR END FRAME.....	40 - 6	1G5	TERMINALS AND CONNECTORS	40 - 47
1E15	STARTER DRIVE HOUSING.....	40 - 5	1G12	TERMINALS, ELECTRICAL, WEATHERPACK.....	40 - 54
1B13	STARTER GEAR	20 - 19	2G8	TETHER, OPERATOR PRESENCE BYPASS	90 - 49
1E17	STARTER MAIN FRAME.....	40 - 7	1C9	THERMOSTAT HOUSING, FRONT	20 - 45
1E18	STARTER SOLENOID SWITCH	40 - 8	1C8	THERMOSTATS.....	20 - 44
1E18	STARTER SOLENOID SWITCH COVER	40 - 8	1E6	THROTTLE LEVER	30 - 44
1D8	STARTING AID TUBE KIT	30 - 17	2E3	TIE RODS, REAR AXLE	80 - 20
1D9	STARTING AID TUBE KIT	30 - 19	2J6	TIGHTENER, DOFFER DRIVE	120 - 31
1D8	STARTING FLUID TUBE KIT	30 - 17	1B18	TIMING GEAR COVER	20 - 26
1D9	STARTING FLUID TUBE KIT	30 - 19	2G23	TOP PLATE, PICKING UNIT HOUSING.....	110 - 2
1E14	STARTING MOTOR.....	40 - 4	1E4	TRANSFER PUMP, FUEL	30 - 42
1J14	STEERING LINE (SERIAL NO. 2001-4000)	60 - 12	1E5	TRANSFER PUMP, FUEL	30 - 43
1J16	STEERING LINE (SERIAL NO. 4001-)	60 - 14	2K1	TRANSFER PUMP, LUBRICATION	130 - 20
1J10	STEERING LINES	60 - 8	2D8	TRANSMISSION AND HYDRAULIC OIL	70 - 69
1J12	STEERING LINES (SERIAL NO. 101-2000)	60 - 10	1G21	TRANSMISSION CASE, SHIFTER CAM AND FORKS ..	50 - 6
1J6	STEERING METERING VALVE	60 - 3	1H1	TRANSMISSION COUNTERSHAFT	50 - 10
1J8	STEERING MOTOR.....	60 - 6	1G23	TRANSMISSION INPUT SHAFT	50 - 8
1J4	STEERING POST AND SUPPORT.....	60 - 1	1G20	TRANSMISSION PARK LOCK	50 - 5
1J7	STEERING VALVE.....	60 - 4	1G23	TRANSMISSION UNIT DRIVE SHAFT	50 - 8
1J5	STEERING, TELESCOPING	60 - 2	1H19	TRUNNIONS, HYDRO. DRIVE PUMP (EATON)	50 - 29
2B15	STOP VALVE, BASKET.....	70 - 22	1I6	TRUNNIONS,BRGS,HYDRO.DR.PUMP SWASHPLATE (SUNDSTRAND)	50 - 44
2G10	STOP, SAFETY, UNIT LIFT	100 - 1			

1A16

9950 COTTON PICKER

ALPHABETICAL INDEX - CONTINUED

GRID		PAGE	GRID		PAGE
1J14	TUBE STEERING PRESSURE (SERIAL NO. 2001-4000)	60 - 12		V	
1J16	TUBE STEERING PRESSURE (SERIAL NO. 4001-)	60 - 14	1H25	VALVE BLOCK, CHARGE PRESSURE RELIEF (EATON).....	50 - 37
1J12	TUBE, BRAKE PRESSURE (SERIAL NO. 101-2000)	60 - 10	2H21	VALVE MOUNTING BRACKETS, HEIGHT SENSING	110 - 24
1J14	TUBE, BRAKE PRESSURE (SERIAL NO. 2001-4000)	60 - 12	1C3	VALVE STEM LUBRICANT, ENGINE	20 - 37
1J16	TUBE, BRAKE PRESSURE (SERIAL NO. 4001-)	60 - 14	2B15	VALVE, BASKET STOP	70 - 22
1B9	TUBE, ENGINE OIL DIPSTICK	20 - 15	1J19	VALVE, BRAKE	60 - 18
3C4	TUBE, LID LIFT	160 - 15	1J21	VALVE, BRAKE, REPAIR KIT	60 - 20
1J12	TUBE, STEERING PRESSURE (SERIAL NO. 101-2000)	60 - 10	2C16	VALVE, COMPACTOR/CONVEYOR CONTROL	70 - 50
1A21	TUBE, VENTILATOR	20 - 1	2B9	VALVE, CONTROL	70 - 16
1C20	TUBES, AIR INTAKE	30 - 4	1I12	VALVE, CONTROL, HYDROSTATIC (S.N. 6001-)	50 - 52
2C5	TUBES, BASKET COMPACTOR	70 - 38	1I9	VALVE, CONTROL, HYDROSTATIC (SUNDSTRAND) (S.N. 2001-6000).....	50 - 48
2B18	TUBES, HYDRAULIC RETURN (SERIAL NO. 101-2000)	70 - 26	2K14	VALVE, FOOT FLUSH.....	140 - 12
2B20	TUBES, HYDRAULIC RETURN (SERIAL NO. 2001-)	70 - 28	1D13	VALVE, FUEL CHECK.....	30 - 24
2B24	TUBES, MAIN HYDRAULIC PRESSURE (SERIAL NO. 101-2000)	70 - 32	1D15	VALVE, FUEL CHECK.....	30 - 27
1D3	TURBOCHARGER	30 - 12	2F20	VALVE, HEATER CONTROL	90 - 36
1D5	TURBOCHARGER	30 - 14	2C12	VALVE, HEIGHT SENSING (SERIAL NO. 101-2000)	70 - 46
1D4	TURBOCHARGER CENTER HOUSING	30 - 13	2C13	VALVE, HEIGHT SENSING (SERIAL NO. 2001-4000)	70 - 47
1D6	TURBOCHARGER CENTER HOUSING	30 - 15	2C14	VALVE, HEIGHT SENSING (SERIAL NO. 4001-)	70 - 48
1D3	TURBOCHARGER HOUSING	30 - 12	1H24	VALVE, HIGH PRESSURE RELIEF (EATON)	50 - 35
1D5	TURBOCHARGER HOUSING	30 - 14	1H21	VALVE, HYDRO. DR. DISPLACEMENT CONTROL (EATON).....	50 - 32
1D1	TURBOCHARGER OIL LINES	30 - 10	2J16	VALVE, LUBRICATION CAB TO UNIT (SERIAL NO. 101-2000)	130 - 10
1F10	TURN SIGNAL CONTROLS	40 - 26	2J18	VALVE, LUBRICATION CAB TO UNIT (SERIAL NO. 2001-)	130 - 12
			2C10	VALVE, LUBRICATION DIVERTER (S.N. 101-4000)	70 - 44
	U		2C11	VALVE, LUBRICATION DIVERTER (S.N. 4001-)	70 - 45
2I3	UNIT DRIVE COUNTERSHAFT AND SLIP CLUTCH	120 - 2	1J6	VALVE, METERING, STEERING	60 - 3
2I5	UNIT DRIVE GEAR CASE, INNER	120 - 4	1B22	VALVE, OIL COOLER BYPASS	20 - 30
2I7	UNIT DRIVE GEAR CASE, OUTER	120 - 6	2C7	VALVE, PRESSURE CONTROL (S.N. 101-4000)	70 - 40
1G23	UNIT DRIVE SHAFT	50 - 8	2C15	VALVE, STABILIZER	70 - 49
2I9	UNIT DRIVE UNIVERSAL JOINT (S.N. 101-4000)	120 - 8	1J7	VALVE, STEERING	60 - 4
2I10	UNIT DRIVE UNIVERSAL JOINT (S.N. 4001-)	120 - 9	2K4	VALVE, WATER	140 - 2
2G10	UNIT LIFT BRACKETS	100 - 1	1A22	VALVES, EXHAUST.....	20 - 2
2G15	UNIT LIFT CONTROL VALVE LINKAGE (SERIAL NO. 101-2000)	100 - 6	1A22	VALVES, INTAKE.....	20 - 2
2G17	UNIT LIFT CONTROL VALVE LINKAGE (SERIAL NO. 2001-4000)	100 - 8	1A21	VENTILATOR TUBE	20 - 1
2G19	UNIT LIFT CONTROL VALVE LINKAGE (SERIAL NO. 4001-)	100 - 10	1E23	VOLTAGE REGULATOR (90-AMP) (SERIAL NO. 101-2000)	40 - 14
2C20	UNIT LIFT CYLINDER	70 - 55	1F1	VOLTAGE REGULATOR (90-AMP) (SERIAL NO. 2001-)	40 - 16
2B13	UNIT LIFT HYDRAULICS	70 - 20			
2G13	UNIT LIFT LEVERS	100 - 4		W	
2G14	UNIT LIFT LINKAGE	100 - 5	1F7	WARNING LAMP, FRONT.....	40 - 23
1E13	UNIT LIFT SWITCH	40 - 3	1F8	WARNING LAMP, REAR	40 - 24
1G19	UNIT SHIFT LEVER AND LINKAGE	50 - 4	2K12	WATER CONTROL HOSES AND FITTINGS (SERIAL NO. 101-2000)	140 - 10
2I9	UNIVERSAL JOINT, UNIT DRIVE (S.N. 101-4000)	120 - 8	2K13	WATER CONTROL HOSES AND FITTINGS (SERIAL NO. 2001-)	140 - 11
2I10	UNIVERSAL JOINT, UNIT DRIVE (S.N. 4001 -)	120 - 9	2K10	WATER FILTER	140 - 8
2F10	UPHOLSTERY, CAB REAR	90 - 26	2K16	WATER LINES, PRESSURE	140 - 14
2J1	UPPER DOFFER ADJUSTING HOUSING AND SPROCKETS	120 - 26	1C9	WATER MANIFOLD GASKET	20 - 45
2J20	UPPER UNIT LUBRICATION MANIFOLD	130 - 14	1C9	WATER MANIFOLD, FRONT	20 - 45
			1C8	WATER OUTLET MANIFOLD	20 - 44
			1C10	WATER PUMP	20 - 46
			2K9	WATER PUMP	140 - 7

1A17

9950 COTTON PICKER

ALPHABETICAL INDEX - CONTINUED

<i>GRID</i>		<i>PAGE</i>	<i>GRID</i>	<i>PAGE</i>
2K8	WATER PUMP FITTINGS AND SUPPORTS	140 - 6		
1C12	WATER PUMP REPAIR KIT	20 - 48		
1D16	WATER SEPARATOR	30 - 28		
2K6	WATER TANK AND WRAPPER	140 - 4		
2K4	WATER VALVE	140 - 2		
1G12	WEATHERPACK CONNECTORS	40 - 54		
1G12	WEATHERPACK TERMINALS	40 - 54		
2D23	WHEEL, MAIN	80 - 16		
2E5	WHEEL, REAR	80 - 22		
2F7	WINDOW HINGE	90 - 22		
2F6	WINDOWS, CAB	90 - 21		
2F23	WINDSHIELD WIPER	90 - 39		
2F23	WINDSHIELD WIPER BLADE	90 - 39		
2F23	WINDSHIELD WIPER MOTOR	90 - 39		
1F16	WIRING HARNESS	40 - 32		
1G1	WIRING HARNESS, AIR SWITCH	40 - 42		
1F17	WIRING HARNESS, LUBRICATION SYSTEM	40 - 33		
1F24	WIRING HARNESS, MONITOR	40 - 40		
1F20	WIRING HARNESS, OPERATOR PRESENCE	40 - 36		
2G8	WIRING HARNESS, OPERATOR PRESENCE BYPASS	90 - 49		
1F18	WIRING, CAB	40 - 34		
2J9	WRAPPER, LUBRICATION TANK	130 - 2		
2K6	WRAPPER, WATER TANK	140 - 4		
2I21	WRENCH, PICKER BAR SPINDLE	120 - 22		

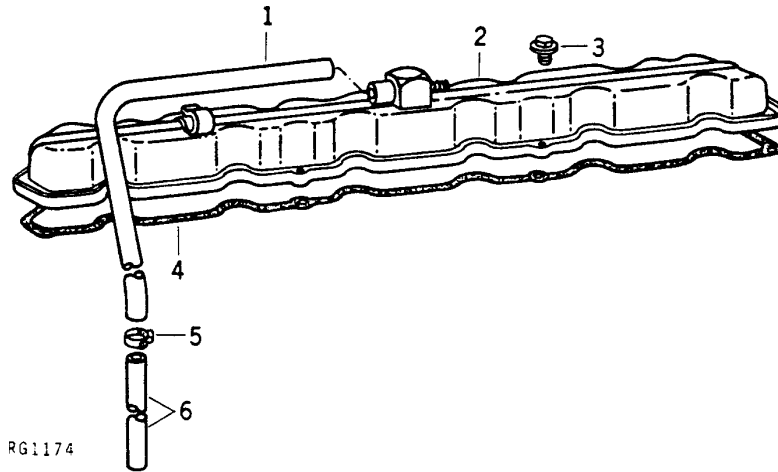
MEMORANDA

1A21

ENGINE

RG1174 -UN-19OCT94

ROCKER ARM COVER



KEY	PART NO.	PART NAME	QTY	ENGINE SERIAL NO.	REMARKS
1	R99793	HOSE	1		(SUB FOR R60753) 19MM X 889MM (3/4" X 35")
2	RE37448	COVER	1		(SUB FOR AR93172)
3	AR103811	SCREW WITH WASHER	8	-329283	(SUB AR100124, THIS APPLICATION)
	AR100124	SCREW WITH WASHER	8	329284-	
4	R49866	GASKET	1		
5	AR21839	CLAMP	2		
6	R50388	TUBE	1		