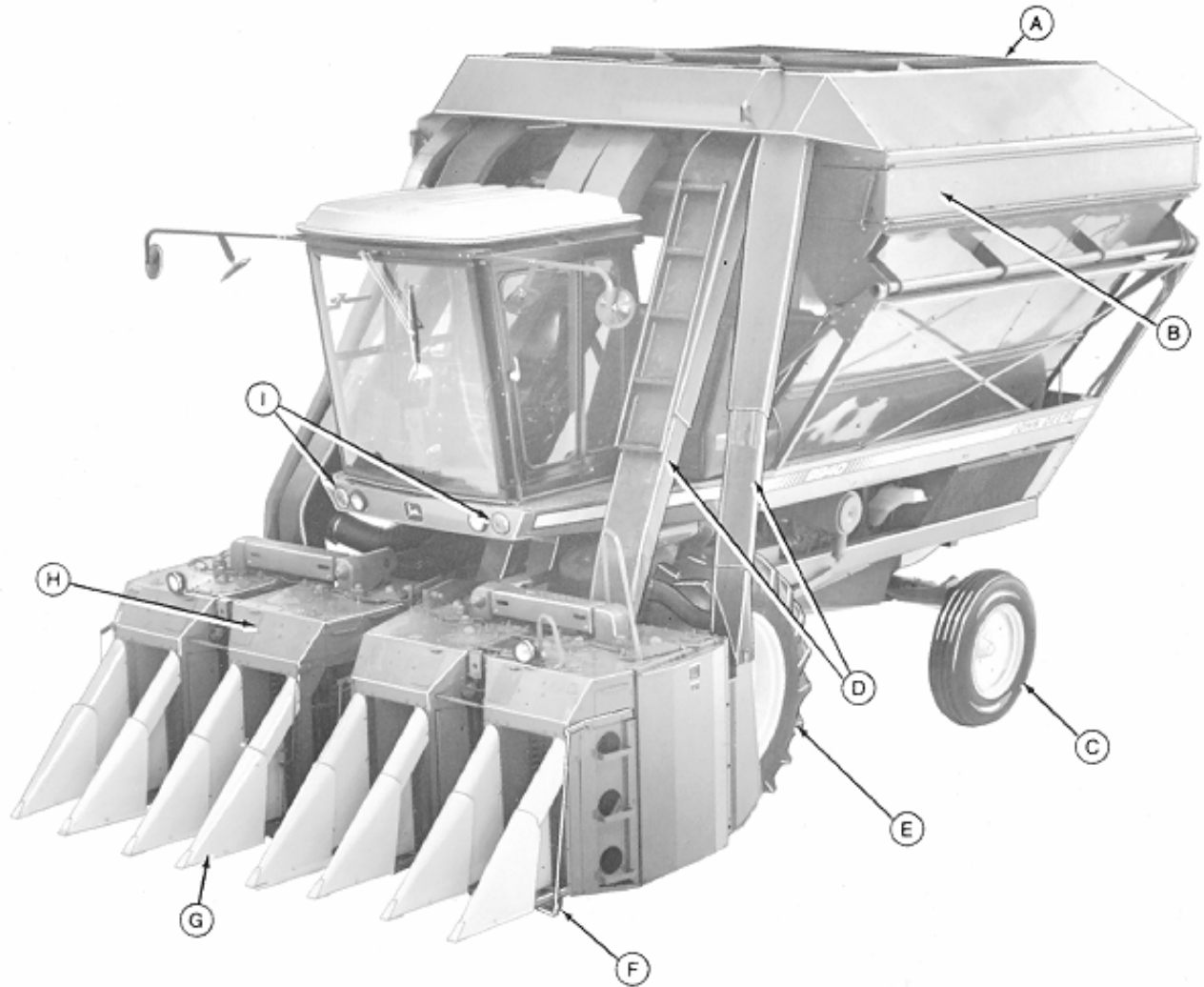


N80018A3 -UN-01JAN94



N80018A3

A - BASKET
 B - BASKET EXTENSION
 C - GUIDE WHEEL

D - SUCTION DOOR
 E - DRIVE WHEEL
 F - HEIGHT CONTROL SHOE

G - STALK LIFTER
 H - PICKING UNIT
 I - WARNING LAMPS

*JOHN DEERE 9940 COTTON PICKER
 (MANUFACTURED 1980 - 1985)*

(SPECIFICATIONS AND DESIGN ARE SUBJECT TO CHANGE WITHOUT NOTICE)

SERIAL NUMBER LISTING INFORMATION

SERIAL NUMBER OR YEAR INFORMATION IS LISTED TO SHOW ON WHICH MACHINES EACH PART CAN BE USED; FOR EXAMPLE:

- THE PART CAN BE USED ON ALL MACHINES.
- 000000- THE PART CAN BE USED ON ALL MACHINES BEGINNING WITH THE SERIAL NUMBER OR YEAR LISTED.
- 000000 THE PART CAN BE USED ON ALL MACHINES UP TO AND INCLUDING THE SERIAL NUMBER OR YEAR LISTED.
- 000000-000000 THE PART CAN BE USED ON ALL MACHINES BETWEEN AND INCLUDING THE SERIAL NUMBERS OR YEARS LISTED.

WHEN XXXXXX'S ARE LISTED IN PLACE OF A SERIAL NUMBER, A SERIAL NUMBER CHANGE WAS MADE BUT THE EXACT SERIAL NUMBER WAS NOT AVAILABLE WHEN THE CATALOG WAS PRODUCED.

DIRECTION ARROW

ARROWS ARE USED WITH ILLUSTRATIONS TO INDICATE THE FRONT OF THE UNIT. "RIGHT-HAND" AND "LEFT-HAND" SIDES ARE DETERMINED BY FACING IN THE DIRECTION OF MACHINE FORWARD TRAVEL.

BOX-ENCLOSED ILLUSTRATIONS

A KEY NUMBER, SHOWN IN THE PARTS LIST, IS ASSIGNED TO A BOX ENCLOSING ALL PARTS SOLD AS A SERVICE ASSEMBLY.

BOLT AND CAP SCREW STRENGTH IDENTIFICATION

BOLTS AND CAP SCREWS REQUIRED TO HAVE HIGH-STRENGTH QUALITIES EQUIVALENT TO SAE GRADE 8 ARE IDENTIFIED THROUGHOUT THIS CATALOG BY THE DESCRIPTION HS SAE 8. ALL STANDARD BOLTS AND CAP SCREWS ARE SAE GRADE 5 OR LOWER.

COMPLETE GOODS LISTINGS

COMPLETE GOODS ARE LISTED IN BOLD FACE TYPE. ORDER SEPARATELY. DO NOT INCLUDE ON REPLACEMENT PARTS ORDER.

SI UNITS OF MEASURE

METRIC DIMENSIONS ARE GIVEN, WHERE APPLICABLE, THROUGHOUT THIS PARTS CATALOG.

CKSO SERVICE PARTS

SERVICE PARTS DESIGNATED CKSO ARE USED IN CERTAIN AREAS OF THE WORLD. IF YOUR SOURCE OF SERVICE PARTS IS IN EUROPE OR AFRICA, ORDER THESE PARTS DESIGNATED CKSO.

CHANGE INDICATOR LINE (MICROFICHE CATALOGS ONLY)

CHANGES AFFECTING THE ORDERING OF PARTS ARE IDENTIFIED BY VERTICAL LINES MARKED IN THE LEFT-HAND MARGIN OF REVISED PARTS LISTING IMAGES. A LINE IS ALSO AT THE LEFT-HAND EDGE OF THE SAME PART NUMBER IN THE NUMERICAL INDEX TO SHOW THE LOCATION OF REVISED INFORMATION.

TWO LINE BAR CODED ENGINE SERIAL NUMBER PLATE (LOCATED ON FUEL INJECTION PUMP SIDE OF ENGINE)

RGP3513 -UN-01JAN94



RGP3513

FIRST LINE

RG - WATERLOO ENGINE WORKS

6

466

A - TURBOCHARGED AND AFTERCOOLED

XXXXXX

6466AN01,02

DEFINES

DESIGNATES ENGINE MANUFACTURER.

DESIGNATES NUMBER OF CYLINDERS.

DESIGNATES CUBIC INCH DISPLACEMENT.

DESIGNATES TYPE OF AIR INTAKE SYSTEM.

DESIGNATES ENGINE SERIAL NUMBER.

SECOND LINE

9940

MEMORANDA

**Thanks very much for your reading,
Want to get more information,
Please click here, Then get the complete
manual**

JustClickHere 

NOTE:

**If there is no response to click on the link above,
please download the PDF document first, and then
click on it.**

**Have any questions please write to me:
admin@servicemanualperfect.com**

SECTION INDEX

GENERAL INFORMATION	10
ENGINE	20
FUEL AND AIR	30
ELECTRICAL	40
POWER TRAIN	50
STEERING AND BRAKES	60
HYDRAULICS	70
WHEELS, REAR AXLES AND SHEET METAL	80
OPERATOR STATION	90
PICKING UNIT LIFT	100
PICKING UNIT CABINET	110
PICKING UNIT SYSTEM	120
WATER SYSTEM	130
AIR SYSTEM	140
BASKET	150
NUMERICAL INDEX	160

ALPHABETICAL INDEX

GRID		PAGE	GRID		PAGE
	A				
1J23	ACCUMULATOR	60 - 16	1I16	BEARINGS, HYDRO. DRIVE PUMP (EATON)	50 - 41
1J24	ACCUMULATOR	60 - 18	1E7	BELLCRANK, THROTTLE	30 - 42
2C12	ADJUSTABLE REAR AXLE TIE RODS	80 - 15	1C10	BELT, ENGINE FAN	20 - 48
2C10	ADJUSTABLE TREAD REAR AXLE	80 - 13	2I4	BELT, FAN BLOWER	140 - 17
2C11	ADJUSTABLE TREAD REAR AXLE KNEE	80 - 14	2D6	BELT, SEAT (PERSONAL-POSTURE™ SEAT)	90 - 12
2D15	ADJUSTER ASSEMBLY, SEAT	90 - 21	1E21	BELTS, ALTERNATOR	40 - 10
2D18	ADJUSTMENT LINKS, SEAT SUSPENSION	90 - 24	2G6	BELTS, UNIT DRIVE	120 - 3
1D3	AID. COLD WEATHER STARTING	90 - 12	2E12	BLADE, WINDSHIELD WIPER	90 - 45
1C18	AIR CLEANER	30 - 1	1B3	BLOCK, CYLINDER	20 - 12
2E20	AIR COMPRESSOR FUSE	90 - 53	1B1	BLOCK, CYLINDER, ENGINE	20 - 10
2E19	AIR CONDITIONER COMPRESSOR	90 - 52	1B5	BLOCK, ENGINE SHORT (ESN -161132)	20 - 14
2E8	AIR FILTER, CAB	90 - 41	1B9	BLOCK, ENGINE SHORT (ESN 161133-)	20 - 18
2H15	AIR GAUGE	140 - 3	2E5	BLOWER, PRESSURIZER	90 - 38
1C19	AIR INTAKE TUBES	30 - 2	2H15	BRACKET, AIR GAUGE	140 - 3
2E7	AIR LOUVER, PANEL AND SWITCHES	90 - 40	2A20	BRACKET, CONTROL VALVE	70 - 6
2H20	AIR TUBES	140 - 8	1D16	BRACKET, FUEL SHUT-OFF	30 - 26
2H22	AIR TUBES	140 - 10	2E21	BRACKETS, COMPRESSOR, MOUNTING	90 - 54
1E23	ALTERNATOR (72-AMPERE)	40 - 12	2E23	BRACKETS, UNIT LIFT	100 - 1
1F1	ALTERNATOR (90-AMP)	40 - 14	1J17	BRAKE LINES	60 - 10
1E21	ALTERNATOR AND MOUNTING BRACKETS	40 - 10	1J18	BRAKE PEDALS	60 - 11
1B12	ALUMINUM OIL PAN	20 - 21	1K1	BRAKE PLATE AND FACING	60 - 20
1F24	AM RADIO KIT	40 - 38	1J19	BRAKE VALVE	60 - 12
1F24	AM-FM RADIO KIT	40 - 38	1J21	BRAKE VALVE, REPAIR KIT	60 - 14
1D17	ANEROID CONTROLS AND FUEL SHUT-OFF	30 - 27	1F3	BREAKERS, CIRCUIT	40 - 16
1E3	ANEROID, FUEL INJECTION PUMP	30 - 38	1H24	BRG.-SEAL-HYDRO.DR.PUMP FRONT COVER ASSY	50 - 23
1G2	ANTENNA BRACKET KIT, LEFT-HAND	40 - 41	1I3	BRGS, TRUNNIONS, HYDRO.DR.PUMP SWASHPLATE	50 - 26
1F10	ANTENNA, EXTERIOR MOUNTED	40 - 24	2F10	BUMPERS	110 - 7
1G1	ANTENNA, EXTERIOR MOUNTED	40 - 40	1B25	BYPASS VALVE, OIL COOLER	20 - 36
2C12	ARM, STEERING, MOTOR	80 - 15	1C1	BYPASS VALVE, OIL COOLER	20 - 37
1E16	ARMATURE, STARTER	40 - 5		C	
2D8	ARMREST, SEAT (PERSONAL-POSTURE™ SEAT) ..	90 - 14	2E8	CAB AIR FILTER AND HOUSING	90 - 41
1A21	ARMS, ROCKER	20 - 6	2D22	CAB DOOR (SOUND-GARD CAB)	90 - 30
1C19	ASPIRATED PRE-CLEANER	30 - 2	2D24	CAB REAR UPHOLSTERY	90 - 32
2I21	AUGER, BASKET COMPACTOR	150 - 14	2E1	CAB ROOF AND SUPPORTS	90 - 34
1H19	AXLE AND PLANETARY, DIFFERENTIAL	50 - 18	2E4	CAB ROOF HEADLINER	90 - 37
1H18	AXLE HOUSING WITH DRIVE GEAR	50 - 17	2D20	CAB WINDOWS (SOUND-GARD)	90 - 27
2C10	AXLE, ADJUSTABLE TREAD REAR	80 - 13	1G4	CAB WIRING DIAGRAM	40 - 44
	B		2D19	CAB, SOUND-GARD	90 - 26
2F10	BAFFLES, PICKING UNIT	110 - 7	1D17	CABLE, FUEL SHUT-OFF	30 - 27
2G19	BAR, PICKER	120 - 17	2D16	CABLE, SCISSORS SUSPENSION	90 - 22
2F11	BARS, GRID	110 - 8	1E7	CABLE, THROTTLE	30 - 42
2I21	BASKET COMPACTOR AUGER	150 - 14	1E20	CABLES, BATTERY	40 - 9
2B13	BASKET COMPACTOR HYDRAULIC TUBES	70 - 26	2G19	CAM FOLLOWER ARM	120 - 17
2I10	BASKET COMPLETE	150 - 1	2G16	CAM, PICKER BAR	120 - 13
2I22	BASKET EXTENSION	150 - 15	1A22	CAMSHAFT	20 - 7
2I23	BASKET EXTENSION, 24-INCH	150 - 16	1A22	CAMSHAFT GEAR	20 - 7
2B3	BASKET HYDRAULIC CYLINDER	70 - 14	1D7	CAP, FUEL TANK	30 - 16
2B4	BASKET HYDRAULIC CYLINDER	70 - 15	1C6	CAP, RADIATOR	20 - 44
2I19	BASKET LID FRAME	150 - 11	1H14	CASE, DIFFERENTIAL	50 - 13
2I20	BASKET LID LINKAGE	150 - 13	1H15	CASE, DIFFERENTIAL COVER	50 - 14
2I17	BASKET LID, SCREENS, GRATES	150 - 9	2G8	CASE, GEAR UNIT DRIVE, INNER	120 - 5
2B1	BASKET LIFT HYDRAULIC HOSES AND TUBES	70 - 12	2G10	CASE, GEAR UNIT DRIVE, OUTER	120 - 7
2I11	BASKET LIFT LEVER	150 - 3	1H7	CASE, TRANSMISSION	50 - 6
2I15	BASKET SIDES AND FLOOR	150 - 7	1D2	CENTER HOUSING, TURBOCHARGER	30 - 10
2I13	BASKET SUPPORTS	150 - 5	1I20	CENTER SECTION, HYDRO, DRIVE (EATON)	50 - 46
2I16	BASKET, L.H. SIDE	150 - 8	1I9	CENTER SECTION, HYDROSTATIC DRIVE	50 - 33
1E20	BATTERY AND CABLES	40 - 9	2G25	CENTRALIZED LUBRICATION SYSTEM	120 - 23
1H16	BEARING, DIFFERENTIAL QUILLS	50 - 15	2H1	CENTRALIZED UNIT LUBRICATION SYSTEM	120 - 24
1I12	BEARING, SEAL, HYDRO.DR.PUMP FRONT COVER ASSY (EATON)	50 - 37	1I22	CHARGE PRESSURE RELIEF VALVE BLOCK (EATON)	50 - 49
1B19	BEARINGS, MAIN	20 - 29	1J1	CHARGE PUMP, HYDROSTATIC	50 - 53
1B19	BEARINGS, MAIN THRUST	20 - 29	1J2	CHARGE PUMP, HYDROSTATIC DRIVE	50 - 54
			2C16	CHASSIS DECAL SET	80 - 19
			1D10	CHECK VALVE, FUEL	30 - 19

ALPHABETICAL INDEX - CONTINUED

GRID		PAGE	GRID		PAGE
1F3	CIRCUIT BREAKERS	40 - 16	2A25	CYLINDER, UNIT LIFT	70 - 11
1C18	CLEANER, AIR.....	30 - 1			
2G15	CLUTCH, SLIP, DRUM	120 - 12		D	
1E18	COIL, STARTER	40 - 7			
1D3	COLD WEATHER STARTING AID	30 - 12	1B18	DAMPER, CRANKSHAFT	20 - 28
1E17	COMMUTATOR END FRAME, STARTER	40 - 6	2C18	DECALS	80 - 21
2B15	COMPACTOR HYDRAULIC MOTOR	70 - 28	2C16	DECALS, CHASSIS SET.....	80 - 19
2I21	COMPACTOR, BASKET	150 - 14	2C17	DECALS, SET OF, PICKING UNIT.....	80 - 20
2E21	COMPRESSOR MOUNTING BRACKETS	90 - 54	1D18	DELIVERY VALVE, FUEL INJECTION PUMP	30 - 28
2E19	COMPRESSOR, AIR CONDITIONER	50 - 52	1H19	DIFFERENTIAL AXLE AND PLANETARY	50 - 18
1J5	CONDENSER, AIR CONDITIONER	50 - 57	1H16	DIFFERENTIAL BEARING QUILLS.....	50 - 15
1C8	CONDITIONER, COOLANT.....	20 - 46	1H14	DIFFERENTIAL CASE	50 - 13
1B14	CONNECTING RODS	20 - 24	1H21	DIFFERENTIAL HOUSING WITH BEVEL GEAR AND DRIVE SHAFT	50 - 20
1G18	CONNECTOR, ELECTRICAL, SERVICE KIT.....	40 - 60	1H17	DIFFERENTIAL QUILL AND HUB.....	50 - 16
1G22	CONNECTORS, ELECTRICAL, WEATHERPACK	40 - 64	1H15	DIFFERENTIAL, CASE COVER	50 - 14
2C24	CONSOLE	90 - 5	1F8	DIMMER SWITCH	40 - 21
1E12	CONSOLE INSTRUMENT GAUGES.....	40 - 1	1B11	DIPSTICK TUBE	20 - 20
1I7	CONTROL HANDLE, HYDRO. DR. DISPLACEMENT	50 - 30	1B11	DIPSTICK, ENGINE OIL	20 - 20
2A20	CONTROL VALVE AND BRACKET	70 - 6	1I18	DISPLACEMENT CONTROL VALVE, HYDRO. DR. (EATON).....	50 - 44
2F2	CONTROL VALVE LINKAGE, UNIT LIFT.....	100 - 5	2G21	DOFFER	120 - 19
2A22	CONTROL VALVE SEAL REPAIR KIT.....	70 - 8	2G24	DOFFER DRIVE TIGHTENER SPROCKET	120 - 22
1I5	CONTROL VALVE, HYDROSTATIC	50 - 28	2G23	DOFFER GAGES.....	120 - 21
1I18	CONTROL VALVE, HYDRO. DR. DISPLACEMENT (EATON).....	50 - 44	2G22	DOFFER, UPPER HOUSING	120 - 20
2D3	CONTROL, MOISTENER FLUSH	90 - 8	1F10	DOME LIGHT	40 - 24
1D17	CONTROLS, ANEROID	30 - 27	1F11	DOME LIGHT (ROCKER TYPE).....	40 - 25
1F9	CONTROLS, TURN SIGNAL	40 - 22	2D22	DOOR CAB (SOUND-GARD CAB)	90 - 30
1C8	COOLANT CONDITIONER	20 - 46	2H17	DOOR, CLEANOUT	140 - 5
1G13	COOLANT HEATER, ENGINE	40 - 54	2F19	DOOR, FRONT AND OUTER SIDE SWING	110 - 16
1A19	COOLANT TEMPERATURE SENDER	20 - 4	2H17	DOOR, SUCTION.....	140 - 5
1C3	COOLER, ENGINE OIL	20 - 39	2E15	DRIER, HOSES AND FITTINGS.....	90 - 48
1J5	COOLER, HYDROSTATIC OIL	50 - 57	2E17	DRIER, HOSES AND FITTINGS.....	90 - 50
2H14	COTTON FAN COMPLETE.....	140 - 1	1H18	DRIVE GEAR WITH AXLE HOUSING	50 - 17
1H11	COUNTERSHAFT, TRANSMISSION.....	50 - 10	1B17	DRIVE GEAR, OIL PUMP	20 - 27
2G6	COUNTERSHAFT, UNIT DRIVE	120 - 3	2G8	DRIVE HOUSING, INNER	120 - 5
1H15	COVER, DIFFERENTIAL CASE	50 - 14	2G10	DRIVE HOUSING, OUTER	120 - 7
2D22	COVER, DOOR TRACK	90 - 30	1H21	DRIVE SHAFT, DIFFERENTIAL HOUSING	50 - 20
1I12	COVER, FRONT, HYDRO. DRIVE PUMP (EATON)	50 - 37	1H23	DRIVE UNIT, HYDROSTATIC.....	50 - 22
1H24	COVER, FRONT, HYDROSTATIC DRIVE PUMP	50 - 23	1D22	DRIVE, FUEL INJECTION PUMP	30 - 32
2F14	COVER, INSPECTION.....	110 - 11	1I25	DRIVE, HYDROSTATIC PUMP	50 - 52
1G5	COVER, MONITOR	40 - 45	2G8	DRIVE, INNER UNIT, GEAR CASE	120 - 5
1A16	COVER, ROCKER ARM	20 - 1	2G10	DRIVE, OUTER UNIT, GEAR CASE	120 - 7
1E19	COVER, STARTER SOLENOID SWITCH	40 - 8	1A23	DRIVE, TACHOMETER	20 - 8
1C13	COVER, THERMOSTAT	20 - 51	2G20	DRUM, PICKER BAR.....	120 - 18
1B20	COVER, TIMING GEAR.....	20 - 30	1E9	DRY AIR CLEANER ELEMENT CLEANING GUN	30 - 44
2E3	COVERS AND INNER ROOF	90 - 36	2H25	DUCT SUPPORT	140 - 13
2C3	COVERS, STEERING MOTOR (SER. NO. -1500).....	80 - 6	2H17	DUCT, TRANSITION	140 - 5
2C5	COVERS, STEERING MOTOR (SER. NO. 1501-).....	80 - 8	2H19	DUCT, UNIT TO BASKET	140 - 7
1B16	CRANKSHAFT	20 - 26	2H20	DUCTS, UNIT TO BASKET.....	140 - 8
1B17	CRANKSHAFT	20 - 27	2H22	DUCTS, UNIT TO BASKET.....	140 - 10
1B18	CRANKSHAFT DAMPER.....	20 - 28			
1B21	CRANKSHAFT OIL SEAL	20 - 31		E	
1B21	CRANKSHAFT OIL SEAL HOUSING	20 - 31			
1B18	CRANKSHAFT PULLEY	20 - 28	1D3	EITHER STARTING FLUID	30 - 12
2G12	CROSS SHAFT AND SHIELD.....	120 - 9	1G18	ELECTRICAL CONNECTOR SERVICE KIT	40 - 60
2D4	CUSHION, SEAT	90 - 10	1G22	ELECTRICAL TERMINALS AND CONNECTORS, WEATHERPACK	40 - 64
1B3	CYLINDER BLOCK	20 - 12	1D3	ELECTRICALLY OPERATED STARTING AID	30 - 12
1I2	CYLINDER BLOCK ASSEMBLY, HYDRO. DR. PUMP ..	50 - 25	1C18	ELEMENTS, AIR CLEANER	30 - 1
1I13	CYLINDER BLOCK ASSEMBLY, HYDROSTATIC DRIVE PUMP (EATON).....	50 - 38	1E17	END FRAME, STARTER COMMUTATOR	40 - 6
1B1	CYLINDER BLOCK, ENGINE	20 - 10	1G13	ENGINE COOLANT HEATER	40 - 54
1A17	CYLINDER HEAD	20 - 2	1G14	ENGINE COOLANT HEATER	40 - 55
1C14	CYLINDER HEAD GASKET KIT	20 - 52	1B1	ENGINE CYLINDER BLOCK.....	20 - 10
1B14	CYLINDER LINER	20 - 24	1C10	ENGINE FAN AND BELT	20 - 48
1C5	CYLINDER LINER PACKING LUBRICANT	20 - 41			
2B3	CYLINDER, BASKET	70 - 14			
2B4	CYLINDER, BASKET	70 - 15			

ALPHABETICAL INDEX - CONTINUED

GRID		PAGE	GRID		PAGE
2C1	ENGINE HOOD	80 - 4	1D18	FUEL INJECTION PUMP DELIVERY VALVE	30 - 28
1C4	ENGINE OIL	20 - 40	1D22	FUEL INJECTION PUMP DRIVE	30 - 32
1C3	ENGINE OIL COOLER	20 - 39	1D23	FUEL INJECTION PUMP GOVERNOR HOUSING	30 - 34
1B11	ENGINE OIL DIPSTICK	20 - 20	1E1	FUEL INJECTION PUMP GOVERNOR LEVERS.....	30 - 36
1C2	ENGINE OIL FILTER	20 - 38	1D20	FUEL INJECTION PUMP HOUSING	30 - 30
1B1	ENGINE OIL PRESSURE SENDER	20 - 10	1D14	FUEL INJECTION PUMP LUBE PIPES	30 - 24
1B23	ENGINE OIL PUMP	20 - 34	1D16	FUEL SHUT-OFF BRACKET.....	30 - 26
2B23	ENGINE RAILS	80 - 2	1D17	FUEL SHUT-OFF CONTROLS	30 - 27
1C14	ENGINE REBUILD GASKET KIT	20 - 52	1D7	FUEL TANK	30 - 16
1B13	ENGINE REPLACEMENT KIT.....	20 - 22	1E5	FUEL TRANSFER PUMP	30 - 40
1B5	ENGINE SHORT BLOCK (ESN -161132).....	20 - 14	2E20	FUSE, THERMAL.....	90 - 53
1B9	ENGINE SHORT BLOCK (ESN 161133-)	20 - 18			
1C5	ENGINE VALVE STEM LUBRICANT	20 - 41		G	
1E12	ETHER START SWITCH.....	40 - 1			
2E11	EVAPORATOR AND REAR PIPES.....	90 - 44	2G23	GAGES, DOFFER	120 - 21
1D5	EXHAUST MANIFOLD	30 - 14	1C14	GASKET KIT, CYLINDER HEAD	20 - 52
1A17	EXHAUST VALVES	20 - 2	1C14	GASKET KIT, ENGINE REBUILD	20 - 52
2I22	EXTENSION, BASKET.....	150 - 15	1I7	GASKET, HYDRO.DR.DISPLACEMENT CTL.VALVE	50 - 30
2I23	EXTENSION, BASKET, 24-INCH	150 - 16	2H15	GAUGE, AIR AND HOSE	140 - 3
1F10	EXTERIOR MOUNTED ANTENNA	40 - 24	1E13	GAUGES AND INDICATOR LAMPS.....	40 - 2
1G1	EXTERIOR MOUNTED ANTENNA	40 - 40	1E12	GAUGES, CONSOLE.....	40 - 1
			2G8	GEAR CASE, INNER UNIT DRIVE.....	120 - 5
	F		2G10	GEAR CASE, OUTER UNIT DRIVE	120 - 7
1K1	FACING AND PLATE, BRAKE	60 - 20	1A22	GEAR, CAMSHAFT	20 - 7
2I2	FAN HOUSING.....	140 - 15	1B17	GEAR, OIL PUMP DRIVE	20 - 27
2I6	FAN IDLER AND LINKAGE.....	140 - 19	1B15	GEAR, STARTER.....	20 - 25
2I7	FAN IDLER PIVOT, REPAIR.....	140 - 20	2G8	GEARS AND SHAFT (DRIVE HOUSING), INNER.....	120 - 5
2I8	FAN LEVER	140 - 21	2G10	GEARS AND SHAFT (DRIVE HOUSING), OUTER	120 - 7
2I4	FAN ROTOR	140 - 17	2G17	GEARS, PICKER BAR.....	120 - 14
2H14	FAN, COTTON, COMPLETE	140 - 1	1H9	GEARS, TRANSMISSION	50 - 8
1C10	FAN, ENGINE AND BELT	20 - 48	1H11	GEARS, TRANSMISSION	50 - 10
1G10	FIELD LIGHT	40 - 50	2G14	GEARS, UPPER HOUSING	120 - 11
1G11	FIELD LIGHT WIRING HARNESS AND RELAYS	40 - 52	1D23	GOVERNOR HOUSING, FUEL INJECTION PUMP	30 - 34
1G12	FIELD LIGHT WIRING HARNESS AND RELAYS (SERIAL NO. 737-)	40 - 53	1E1	GOVERNOR LEVERS, FUEL INJECTION PUMP	30 - 36
2E8	FILTER, CAB AIR	90 - 41	2F16	GRATES	110 - 13
1C8	FILTER, COOLANT CONDITIONER	20 - 46	2I17	GRATES, BASKET LID	150 - 9
1C2	FILTER, ENGINE OIL	20 - 38	2F22	GRATES, STALK LIFTER	110 - 19
1D8	FILTER, FUEL	30 - 17	2F11	GRID BARS AND SUPPORTS	110 - 8
2C15	FIRE EXTINGUISHER	80 - 18	2F12	GRID BARS, FRONT	110 - 9
2H10	FITTINGS, WATER LINE.....	130 - 9	1E9	GUN, DRY AIR CLEANER ELEMENT CLEANING	30 - 44
2D25	FLOOR MAT.....	90 - 33			
2I15	FLOOR, BASKET.....	150 - 7		H	
2C23	FLOOR, PLATFORM	90 - 4	2F6	HANDRAIL, UNIT.....	110 - 3
2D3	FLUSH CONTROL, MOISTENER	90 - 8	2H1	HARNESS, CENTRALIZED LUBRICATION	120 - 24
2H10	FLUSH LINES, WATER	130 - 9	1G11	HARNESS, FIELD LIGHT	40 - 52
1B15	FLYWHEEL.....	20 - 25	1G12	HARNESS, FIELD LIGHT (SER. NO. 737-)	40 - 53
2I19	FRAME, BASKET LID	150 - 11	1G3	HARNESS, WIRING.....	40 - 43
2B23	FRAME, MAIN	80 - 2	1F5	HEAD LAMP.....	40 - 18
2C22	FRAME, PLATFORM	90 - 3	1A17	HEAD, CYLINDER	20 - 2
2F8	FRAMES, BOTTOM AND STIFFENER.....	110 - 5	2G16	HEAD, PICKER BAR	120 - 13
1I12	FRONT COVER, HYDRO. DRIVE PUMP (EATON).....	50 - 37	2E4	HEADLINER, CAB ROOF	90 - 37
1H24	FRONT COVER, HYDROSTATIC DRIVE PUMP	50 - 23	2E9	HEATER CONTROL VALVE AND HOSES	90 - 42
2F17	FRONT DRUM PRESSURE PLATES.....	110 - 14	1G13	HEATER, ENGINE COOLANT	40 - 54
2F16	FRONT DRUM SIDE SHEETS AND PANELS	110 - 13	1G14	HEATER, ENGINE COOLANT	40 - 55
2F19	FRONT SWING DOOR	110 - 16	2B12	HEIGHT SENSING.....	70 - 25
1F6	FRONT WARNING LAMP	40 - 19	2B9	HEIGHT SENSING HYDRAULIC TUBES	70 - 22
1D10	FUEL CHECK VALVE	30 - 19	2F24	HEIGHT SENSING LINKAGE, INNER SHOE.....	110 - 21
1D14	FUEL CONTROL PIPES	30 - 24	2G2	HEIGHT SENSING LINKAGE, OUTER SHOE	110 - 23
1D8	FUEL FILTER	30 - 17	1I21	HIGH PRESSURE RELIEF VALVE (EATON).....	50 - 47
1D11	FUEL INJECTION NOZZLE.....	30 - 21	2B11	HIGHT SENSING HYDRAULIC CYLINDER	70 - 24
1D12	FUEL INJECTION NOZZLE.....	30 - 22	1G5	HOLDER AND COVER, MONITOR	40 - 45
1D12	FUEL INJECTION PIPES	30 - 22	2C1	HOOD, ENGINE	80 - 4
1D14	FUEL INJECTION PUMP.....	30 - 24	2C7	HOOD, REAR.....	80 - 10
1E3	FUEL INJECTION PUMP ANEROID.....	30 - 38	2F14	HOOD, UNIT, R.H AND L.H., WITH DECALS	110 - 11

ALPHABETICAL INDEX - CONTINUED

GRID		PAGE	GRID		PAGE
1J17	HOSE, STEERING RETURN.....	60 - 10	1J3	HYDROSTATIC DRIVE CHARGE PUMP REPAIR KIT ..	50 - 55
2B1	HOSES AND TUBES, BASKET LIFT	70 - 12	1I5	HYDROSTATIC DRIVE DISPLACEMENT VALVE	50 - 28
2E15	HOSES TO CONDENSER.....	90 - 48	1I11	HYDROSTATIC DRIVE MOTOR.....	50 - 35
2E17	HOSES TO CONDENSER.....	90 - 50	1I23	HYDROSTATIC DRIVE MOTOR(EATON)	50 - 50
2B13	HOSES, BASKET COMPACTOR HYDRAULIC	70 - 26	1J4	HYDROSTATIC DRIVE OIL RESERVOIR	50 - 56
2E15	HOSES, COMPRESSOR.....	90 - 48	1I13	HYDROSTATIC DRIVE PUMP CYLINDER BLOCK ASSEMBLY (EATON)	50 - 38
2E17	HOSES, COMPRESSOR.....	90 - 50	1H24	HYDROSTATIC DRIVE PUMP FRONT COVER	50 - 23
1C8	HOSES, COOLANT CONDITIONER.....	20 - 46	1I2	HYDROSTATIC DRIVE PUMP HOUSING	50 - 25
2E15	HOSES, DRIER	90 - 48	1I13	HYDROSTATIC DRIVE PUMP HOUSING (EATON)	50 - 38
2E17	HOSES, DRIER	90 - 50	1I3	HYDROSTATIC DRIVE PUMP SWASHPLATE	50 - 26
1D7	HOSES, FUEL	30 - 16	1H23	HYDROSTATIC DRIVE UNIT AND SHEAVE.....	50 - 22
2E9	HOSES, HEATER	90 - 42	1J5	HYDROSTATIC OIL COOLER	50 - 57
2B6	HOSES, HYDRAULIC RETURN	70 - 18	1J6	HYDROSTATIC OIL LINES.....	50 - 58
1C6	HOSES, RADIATOR	20 - 44	1I25	HYDROSTATIC PUMP DRIVE AND SUPPORTS	50 - 52
2A24	HOSES, UNIT LIFT HYDRAULIC	70 - 10	1F3	HYDROSTATIC SAFETY SWITCH.....	40 - 16
1J12	HOUSING AND CONNECTORS, STEERING VALVE	60 - 4	1I8	HYDROSTATIC SPEED RANGE LEVER.....	50 - 31
1B21	HOUSING, CRANKSHAFT OIL SEAL.....	20 - 31			
2I2	HOUSING, FAN	140 - 15		I	
1D20	HOUSING, FUEL INJECTION PUMP	30 - 30	2G15	IDLER GEARS, DRUM SLIP CLUTCH.....	120 - 12
1D23	HOUSING, FUEL INJECTION PUMP GOVERNOR.....	30 - 34	1E12	IGNITION SWITCH	40 - 1
1I2	HOUSING, HYDROSTATIC DRIVE PUMP.....	50 - 25	2E3	INNER ROOF.....	90 - 36
1I13	HOUSING, HYDROSTATIC DRIVE PUMP (EATON).....	50 - 38	2E3	INNER ROOF AND COVERS	90 - 36
2D14	HOUSING, SCISSOR SUSPENSION	90 - 20	2F24	INNER SHOE HEIGHT SENSING.....	110 - 21
1E16	HOUSING, STARTER DRIVE	40 - 5	1H9	INPUT SHAFT	50 - 8
1D1	HOUSING, TURBOCHARGER (AIRESEARCH).....	30 - 9	2E13	INSIDE CAB MIRROR.....	90 - 46
2G22	HOUSING, UPPER DOFFER ADJUSTING	120 - 20	1B7	INSTALLATION KIT, SHORT BLOCK.....	20 - 16
2G14	HOUSING, UPPER DRIVE GEARS	120 - 11	1C21	INTAKE MANIFOLD.....	30 - 4
2F6	HOUSING, UPPER PICKING UNIT	110 - 3	1A17	INTAKE VALVES	20 - 2
1C25	HOUSINGS, TURBOCHARGER	30 - 8	1C21	INTERCOOLER	30 - 4
1H17	HUB AND QUILL, DIFFERENTIAL	50 - 16			
2B11	HYDRAULIC CYLINDER, STABILIZER	70 - 24		J	
2B19	HYDRAULIC MOTOR	70 - 32	2G11	JOINT, UNIVERSAL, UNIT DRIVE	120 - 8
2B20	HYDRAULIC MOTOR (CHAR-LYNN)	70 - 33			
2B17	HYDRAULIC MOTOR (WHITE).....	70 - 30		K	
2B16	HYDRAULIC MOTOR REPAIR KIT.....	70 - 29	1F24	KIT, AM RADIO	40 - 38
2B18	HYDRAULIC MOTOR REPAIR KIT (WHITE).....	70 - 31	1F22	KIT, AM RADIO (BOMAN).....	40 - 36
2B5	HYDRAULIC OIL RESERVOIR	70 - 16	1F19	KIT, AM RADIO, PUSH BUTTON.....	40 - 33
2B21	HYDRAULIC OIL, AND TRANSMISSION	70 - 34	1F24	KIT, AM-FM RADIO	40 - 38
2A16	HYDRAULIC PUMP	70 - 2	1F22	KIT, AM-FM RADIO (BOMAN)	40 - 36
2A18	HYDRAULIC PUMP OVERHAUL KIT (1.38 IN3)	70 - 4	1F21	KIT, AM-FM RADIO, PUSH BUTTON.....	40 - 35
2A15	HYDRAULIC PUMP, DRIVE AND SUPPORTS	70 - 1	1F15	KIT, ANTENNA WITH CLIPS AND CAPACITOR.....	40 - 29
2B6	HYDRAULIC RETURN TUBES AND HOSES	70 - 18	2A22	KIT, CONTROL VALVE SEAL REPAIR	70 - 8
1I20	HYDRO. DR. CENTER SECTION (EATON).....	50 - 46	1G18	KIT, ELECTRICAL CONNECTOR SERVICE	40 - 60
1I18	HYDRO. DR. DISPLACEMENT CONTROL VALVE (EATON).....	50 - 44	1B13	KIT, ENGINE OIL PAN REPLACEMENT	20 - 22
1I2	HYDRO. DR. PUMP CYLINDER BLOCK ASSEMBLY.....	50 - 25	1D4	KIT, ETHER STARTING TUBE	30 - 13
1I4	HYDRO. DR. PUMP SERVO PISTON ASSEMBLIES	50 - 27	2A18	KIT, HYDRAULIC PUMP OVERHAUL (1.38 IN3)	70 - 4
1I17	HYDRO. DR. PUMP SERVO PISTON ASSEMBLIES (EATON).....	50 - 43	1I15	KIT, HYDRO. DRIVE PUMP CYLINDER BLOCK (EATON).....	50 - 40
1I15	HYDRO. DRIVE PUMP CYLINDER BLOCK KIT (EATON).....	50 - 40	1I15	KIT, HYDRO. DRIVE PUMP HOUSING (EATON)	50 - 40
1I12	HYDRO. DRIVE PUMP FRONT COVER(EATON).....	50 - 37	1I15	KIT, HYDRO. DRIVE PUMP SHAFT (EATON)	50 - 40
1I15	HYDRO. DRIVE PUMP HOUSING KIT (EATON)	50 - 40	1J3	KIT, REPAIR HYDROSTATIC CHARGE PUMP.....	50 - 55
1I16	HYDRO. DRIVE PUMP SWASHPLATE (EATON)	50 - 41	2B3	KIT, REPAIR, BASKET CYLINDER	70 - 14
1I16	HYDRO. DRIVE PUMP,SWASHPLATE,BEARINGS, AND TRUNNIONS (EATON).....	50 - 41	2B4	KIT, REPAIR, BASKET CYLINDER	70 - 15
1I15	HYDRO. DRIVE SHAFT KIT (EATON).....	50 - 40	2B16	KIT, REPAIR, HYDRAULIC MOTOR.....	70 - 29
1I7	HYDRO.DR.DISPLACEMENT CONTROL HANDLE.....	50 - 30	2B18	KIT, REPAIR, HYDRAULIC MOTOR.....	70 - 31
1I7	HYDRO.DR.DISPLACEMENT CTL.VALVE GASKET.....	50 - 30	2A25	KIT, REPAIR, UNIT LIFT CYLINDER	70 - 11
1I7	HYDRO.DR.DISPLACEMENT CTL.VALVE ORIFICE.....	50 - 30	1F25	KIT, SPEAKER.....	40 - 39
1H24	HYDRO.DR.PUMP FRONT COVER-BRG-SEAL ASSY.	50 - 23	1G16	KIT, TERMINAL AND WIRING	40 - 58
1I12	HYDRO.DR.PUMP FRONT COVER,BRG,SEAL ASSY (EATON).....	50 - 37	1C12	KIT, WATER PUMP REPAIR	20 - 50
1I3	HYDRO.DR.PUMP SWASHPLATE,BRGS,TRUNNIONS	50 - 26	1F17	KIT,SPEAKERS,RADIO,TAPE PLAYER,HARNESS.....	40 - 31
1J1	HYDROSTATIC CHARGE PUMP AND BELT	50 - 53			
1I9	HYDROSTATIC DRIVE CENTER SECTION	50 - 33			
1J2	HYDROSTATIC DRIVE CHARGE PUMP.....	50 - 54			

ALPHABETICAL INDEX - CONTINUED

<i>GRID</i>		<i>PAGE</i>	<i>GRID</i>		<i>PAGE</i>
2C11	KNEE, REAR AXLE	80 - 14	1D5	MANIFOLD, EXHAUST	30 - 14
2C11	KNUCKLE, REAR AXLE	80 - 14	1C21	MANIFOLD, INTAKE	30 - 4
			1C13	MANIFOLD, WATER OUTLET	20 - 51
	L		2D25	MAT	90 - 33
2D1	LADDER (WATER TANK)	90 - 6	1A24	METER, TACH-HOUR	20 - 9
1F6	LAMP, FRONT WARNING.....	40 - 19	1J11	METERING VALVE, STEERING	60 - 3
1F5	LAMP, HEAD	40 - 18	2E14	MIRROR	90 - 47
1F7	LAMP, REAR WARNING.....	40 - 20	2E13	MIRROR, INSIDE CAB	90 - 46
1F7	LAMP, TAIL	40 - 20	2D3	MOISTENER FLUSH CONTROL	90 - 8
1E13	LAMPS, INDICATOR AND GAUGES	40 - 2	2H12	MOISTENER, SPINDLE	130 - 11
2D22	LATCH, DOOR.....	90 - 30	1G7	MONITOR WIRING, INNER UNITS	40 - 47
1G2	LEFT-HAND ANTENNA BRACKET KIT	40 - 41	1G9	MONITOR WIRING, OUTER UNITS	40 - 49
2I11	LEVER, BASKET LIFT.....	150 - 3	2B19	MOTOR, HYDRAULIC	70 - 32
2I8	LEVER, FAN.....	140 - 21	2B20	MOTOR, HYDRAULIC (CHAR-LYNN).....	70 - 33
1I8	LEVER, HYDROSTATIC SPEED RANGE	50 - 31	2B17	MOTOR, HYDRAULIC (WHITE)	70 - 30
1H3	LEVER, MAIN SHIFT.....	50 - 2	2B15	MOTOR, HYDRAULIC, COMPACTOR	70 - 28
1H3	LEVER, PARK LOCK.....	50 - 2	1I11	MOTOR, HYDROSTATIC DRIVE	50 - 35
1H5	LEVER, UNIT SHIFT	50 - 4	1I23	MOTOR, HYDROSTATIC DRIVE(EATON)	50 - 50
1E1	LEVERS, FUEL INJECTION PUMP GOVERNOR	30 - 36	1E15	MOTOR, STARTING	40 - 4
2E25	LEVERS, UNIT LIFT	100 - 3	1J14	MOTOR, STEERING	60 - 7
2I10	LID FOR BASKET COMPLETE.....	150 - 1	2E12	MOTOR, WINDSHIELD WIPER	90 - 45
2I19	LID FRAME, BASKET	150 - 11	2E21	MOUNTING BRACKETS, COMPRESSOR	90 - 54
2I20	LID LINKAGE, BASKET.....	150 - 13	2C8	MUD SCRAPERS.....	80 - 11
2E25	LIFT LEVERS, UNIT	100 - 3	1D6	MUFFLER AND EXHAUST PIPE	30 - 15
1A20	LIFT STRAPS.....	20 - 5		N	
2I11	LIFT, BASKET LEVER.....	150 - 3	2H17	NOZZLE, COTTON DOORS	140 - 5
2F22	LIFTERS, STALK	110 - 19	2H19	NOZZLE, DUCTS.....	140 - 7
1E12	LIGHT SWITCH	40 - 1	1D11	NOZZLE, FUEL INJECTION	30 - 21
1F10	LIGHT, DOME	40 - 24	1D12	NOZZLE, FUEL INJECTION	30 - 22
1F11	LIGHT, DOME (ROCKER TYPE)	40 - 25		O	
1G10	LIGHT, FIELD.....	40 - 50	1C5	OFF-SEASON STORAGE KIT.....	20 - 41
1B14	LINER, CYLINDER.....	20 - 24	1B25	OIL COOLER BYPASS VALVE.....	20 - 36
2E11	LINES, AIR CONDITIONING (CAB ROOF)	90 - 44	1C1	OIL COOLER BYPASS VALVE.....	20 - 37
1J6	LINES, HYDROSTATIC OIL	50 - 58	1C3	OIL COOLER, ENGINE	20 - 39
2F20	LINES, LUBRICATION.....	110 - 17	1C2	OIL FILTER, ENGINE	20 - 38
1J16	LINES, STEERING.....	60 - 9	1B12	OIL PAN, ALUMINUM	20 - 21
2G24	LINKAGE AND SPROCKET, DOFFER DRIVE TIGHT ..	120 - 22	1C23	OIL PIPES, TURBOCHARGER	30 - 6
2I20	LINKAGE, BASKET LID.....	150 - 13	1B1	OIL PRESSURE SENDER, ENGINE	20 - 10
2I11	LINKAGE, BASKET LIFT	150 - 3	1B22	OIL PUMP	20 - 32
2I8	LINKAGE, FAN.....	140 - 21	1B17	OIL PUMP DRIVE GEAR	20 - 27
2I6	LINKAGE, FAN IDLER.....	140 - 19	1B23	OIL PUMP, ENGINE	20 - 34
2F24	LINKAGE, HEIGHT SENSING INNER SHOE.....	110 - 21	1J4	OIL RESERVOIR, HYDROSTATIC	50 - 56
2G2	LINKAGE, HEIGHT SENSING OUTER SHOE	110 - 23	1B21	OIL SEAL, CRANKSHAFT.....	20 - 31
1H3	LINKAGE, MAIN SHIFT	50 - 2	1C4	OIL, ENGINE	20 - 40
2F2	LINKAGE, PLATFORM	100 - 5	2B21	OIL, TRANSMISSION AND HYDRAULIC.....	70 - 34
2F1	LINKAGE, UNIT LIFT.....	100 - 4	1I7	ORIFICE, HYDRO.DR.DISPLACEMENT CTL.VALVE	50 - 30
1H5	LINKAGE, UNIT SHIFT	50 - 4	2G2	OUTER SHOE HEIGHT SENSING	110 - 23
2D18	LINKS, SEAT SUSPENSION ADJUSTMENT	90 - 24	2F19	OUTER SIDE SWING DOOR	110 - 16
1H6	LOCK, PARK, TRANSMISSION	50 - 5	1C6	OVERFLOW TANK, RADIATOR	20 - 44
2F20	LUBE LINES, PICKER BAR DRUM	110 - 17	2A18	OVERHAUL KIT, HYDRAULIC PUMP (1.38 IN3)	70 - 4
1D14	LUBE PIPES, FUEL INJECTION PUMP.....	30 - 24		P	
1C5	LUBRICANT, CYLINDER LINER PACKING	20 - 41	2H12	PAD, MOISTENER.....	130 - 11
1C5	LUBRICANT, ENGINE VALVE STEM.....	20 - 41	1B12	PAN, ALUMINUM OIL	20 - 21
2G25	LUBRICATION SYSTEM, UNIT CENTRALIZED	120 - 23	2F14	PANELS AND SIDE SHEETS	110 - 11
			2F16	PANELS AND SIDE SHEETS	110 - 13
	M		2D21	PANELS, R.H. CAB	90 - 28
1B19	MAIN BEARINGS.....	20 - 29	1H6	PARK LOCK, TRANSMISSION	50 - 5
2B23	MAIN FRAME AND ENGINE RAILS.....	80 - 2	1J18	PEDALS, BRAKE	60 - 11
1E18	MAIN FRAME, STARTER	40 - 7			
2B8	MAIN HYDRAULIC PRESSURE TUBES	70 - 21			
1H3	MAIN SHIFT LEVER AND LINKAGE	50 - 2			
1B19	MAIN THRUST BEARINGS.....	20 - 29			
2C9	MAIN WHEEL.....	80 - 12			

ALPHABETICAL INDEX - CONTINUED

GRID		PAGE	GRID		PAGE
2G19	PICKER BAR	120 - 17	1F22	RADIO, AM-FM (BOMAN)	40 - 36
2G17	PICKER BAR DRIVE SHAFT	120 - 14	1F12	RADIO, PUSH BUTTON (MOTOROLA)	40 - 26
2G20	PICKER BAR DRUM	120 - 18	2B23	RAILS, ENGINE	80 - 2
2G16	PICKER BAR HEAD AND CAM	120 - 13	2C10	REAR AXLE, ADJUSTABLE TREAD	80 - 13
2C17	PICKING UNIT DECAL SET	80 - 20	2C7	REAR HOOD	80 - 10
2F4	PICKING UNIT HOUSING	110 - 1	2F14	REAR UNIT SIDE SHEETS AND FRONT HOOD	110 - 11
2F6	PICKING UNIT UPPER HOUSING	110 - 3	1F7	REAR WARNING LAMP AND TAIL LAMP	40 - 20
1D6	PIPE, EXHAUST	30 - 15	2C13	REAR WHEEL	80 - 16
1C13	PIPE, WATER BYPASS	20 - 51	1F3	RELAYS AND CIRCUIT BREAKERS	40 - 16
1D14	PIPES, FUEL CONTROL	30 - 24	1G11	RELAYS, FIELD LIGHT	40 - 52
1D12	PIPES, FUEL INJECTION	30 - 22	1G12	RELAYS, FIELD LIGHT (SER. NO. 737-)	40 - 53
1D14	PIPES, FUEL INJECTION PUMP LUBE	30 - 24	1I21	RELIEF VALVE, HIGH PRESSURE (EATON)	50 - 47
1C23	PIPES, TURBOCHARGER OIL	30 - 6	2I7	REPAIR FAN IDLER PIVOT	140 - 20
1I4	PISTON ASSEMBLIES, HYDRO. DR. PUMP SERVO	50 - 27	2B3	REPAIR KIT, BASKET CYLINDER	70 - 14
1I17	PISTON ASSEMBLIES, HYDRO. DR. PUMP SERVO (EATON)	50 - 43	2B4	REPAIR KIT, BASKET CYLINDER	70 - 15
1B14	PISTON RINGS	20 - 24	1J21	REPAIR KIT, BRAKE VALVE	60 - 14
1B14	PISTONS	20 - 24	2A22	REPAIR KIT, CONTROL VALVE SEAL	70 - 8
2I7	PIVOT, FAN IDLER REPAIR	140 - 20	2B16	REPAIR KIT, HYDRAULIC MOTOR	70 - 29
1H19	PLANETARY AND AXLE, DIFFERENTIAL	50 - 18	2B18	REPAIR KIT, HYDRAULIC MOTOR	70 - 31
2C14	PLANT SHIELDS	80 - 17	1J3	REPAIR KIT, HYDROSTATIC CHARGE PUMP	50 - 55
1K1	PLATE AND FACING, BRAKE	60 - 20	2A25	REPAIR KIT, UNIT LIFT CYLINDER	70 - 11
2F8	PLATE, FRONT DRUM, LOWER	110 - 5	1B13	REPLACEMENT KIT, ENGINE OIL PAN	20 - 22
2F18	PLATE, FRONT PRESSURE	110 - 15	2B5	RESERVOIR, HYDRAULIC OIL	70 - 16
2F17	PLATES, PRESSURE, FRONT DRUM	110 - 14	1J4	RESERVOIR, HYDROSTATIC OIL	50 - 56
2C23	PLATFORM FLOOR AND SKIRTS	90 - 4	1B14	RINGS, PISTON	20 - 24
2C22	PLATFORM FRAME	90 - 3	1A16	ROCKER ARM COVER	20 - 1
1J9	POST, STEERING	60 - 1	1A21	ROCKER ARM SHAFT	20 - 6
2F10	POSTS, PICKING UNIT, REAR	110 - 7	1A21	ROCKER ARMS	20 - 6
1C19	PRE-CLEANER, ASPIRATED	30 - 2	2E23	ROCKSHAFT	100 - 1
2H10	PRESSURE LINES, WATER	130 - 9	2E24	ROCKSHAFT	100 - 2
2F17	PRESSURE PLATES, FRONT DRUM	110 - 14	1B14	RODS, CONNECTING	20 - 24
2F18	PRESSURE PLATES, REAR	110 - 15	1A21	RODS, PUSH	20 - 6
2E5	PRESSURIZER BLOWER	90 - 38	2G3	RODS, STALKLIFTER	110 - 24
1B18	PULLEY, CRANKSHAFT	20 - 28	2E1	ROOF, CAB	90 - 34
1D20	PUMP HOUSING, FUEL INJECTION	30 - 30	2E3	ROOF, INNER	90 - 36
1J1	PUMP, CHARGE, HYDROSTATIC	50 - 53	1D2	ROTATING PARTS, TURBOCHARGER	30 - 10
1J2	PUMP, CHARGE, HYDROSTATIC DRIVE	50 - 54	2I4	ROTOR, FAN	140 - 17
1B23	PUMP, ENGINE OIL	20 - 34	2F16	ROW ADJUSTMENT SCREW	110 - 13
1D14	PUMP, FUEL INJECTION	30 - 24			
1E5	PUMP, FUEL TRANSFER	30 - 40		S	
2A15	PUMP, HYDRAULIC	70 - 1	2H6	SADDLE, WATER TANK	130 - 5
2A16	PUMP, HYDRAULIC	70 - 2	2E23	SAFETY STOP, UNIT LIFT	100 - 1
1B22	PUMP, OIL	20 - 32	2D16	SCISSORS SUSPENSION	90 - 22
1C11	PUMP, WATER	20 - 49	2D14	SCISSORS SUSPENSION HOUSING	90 - 20
2H8	PUMP, WATER	130 - 7	2C8	SCRAPERS, MUD	80 - 11
1C12	PUMP, WATER, REPAIR KIT	20 - 50	2I17	SCREENS, BASKET LID	150 - 9
1F12	PUSH BUTTON RADIO (MOTOROLA)	40 - 26	2C5	SCREENS, SIDE AND REAR (SER. NO. 1501-)	80 - 8
1A21	PUSH RODS	20 - 6	2C3	SCREENS, SIDE AND REAR (SER. NO. -1500)	80 - 6
			2A22	SEAL REPAIR KIT, CONTROL VALVE	70 - 8
	Q		1B21	SEAL, CRANKSHAFT OIL	20 - 31
1H17	QUILL AND HUB, DIFFERENTIAL	50 - 16	2D15	SEAT ADJUSTER ASSEMBLY	90 - 21
1H16	QUILLS, DIFFERENTIAL BEARING	50 - 15	2D8	SEAT ARMREST LINKS (PERSONAL- POSTURE™ SEAT)	90 - 14
			2D10	SEAT BACKREST SUPPORT (PERSONAL-POSTURE™ SEAT)	90 - 16
	R		2D5	SEAT BELT	90 - 11
2D21	R.H. CAB PANELS AND WINDOW HINGE	90 - 28	2D6	SEAT BELT (PERSONAL-POSTURE™ SEAT)	90 - 12
1C6	RADIATOR AND HOSES	20 - 44	2D4	SEAT CUSHION	90 - 10
2C3	RADIATOR SUPPORTS AND SIDE SCREENS (SERIAL NO. - 1500)	80 - 6	2D6	SEAT CUSHIONS (PERSONAL-POSTURE™ SEAT) ..	90 - 12
2C5	RADIATOR SUPPORTS AND SIDE SCREENS (SERIAL NO. 1501-)	80 - 8	2D11	SEAT SUPPORT	90 - 17
1F23	RADIO AND TAPE PLAYER	40 - 37	2D13	SEAT SUSPENSION	90 - 19
1F22	RADIO, AM (BOMAN)	40 - 36	2D18	SEAT SUSPENSION ADJUSTMENT LINKS	90 - 24
			2D12	SEAT SUSPENSION SUPPORT	90 - 18
			1I20	SECTION, CENTER, HYDROSTATIC DRIVE (EATON)	50 - 46

ALPHABETICAL INDEX - CONTINUED

<i>GRID</i>		<i>PAGE</i>	<i>GRID</i>		<i>PAGE</i>
1B1	SENDER, ENGINE OIL PRESSURE	20 - 10	2A15	SUPPORT, HYDRAULIC PUMP	70 - 1
1D7	SENDER, FUEL	30 - 16	2C7	SUPPORT, RADIATOR	80 - 10
1D9	SEPARATOR, WATER	30 - 18	2D11	SUPPORT, SEAT	90 - 17
1G18	SERVICE KIT, ELECTRICAL CONNECTOR	40 - 60	2D10	SUPPORT, SEAT BACKREST (PERSONAL-POSTURE™ SEAT)	90 - 16
114	SERVO PISTON ASSEMBLIES, HYDRO. DR. PUMP....	50 - 27	2D12	SUPPORT, SEAT SUSPENSION	90 - 18
1117	SERVO PISTON ASSEMBLIES, HYDRO. DR. PUMP (EATON).....	50 - 43	1J9	SUPPORT, STEERING POST.....	60 - 1
2G21	SHAFT, DOFFER.....	120 - 19	2113	SUPPORTS, BASKET	150 - 5
214	SHAFT, FAN.....	140 - 17	1J5	SUPPORTS, HYDROSTATIC OIL COOLER	50 - 57
2G17	SHAFT, PICKER BAR	120 - 14	1I25	SUPPORTS, HYDROSTATIC PUMP	50 - 52
1A21	SHAFT, ROCKER ARM.....	20 - 6	2C3	SUPPORTS, RADIATOR (SER. NO. -1500)	80 - 6
1H23	SHEAVE, HYDROSTATIC DRIVE.....	50 - 22	2C5	SUPPORTS, RADIATOR (SER. NO. 1501-)	80 - 8
2G6	SHEAVES, COUNTERSHAFT, UNIT DRIVE	120 - 3	2D16	SUSPENSION, SCISSORS	90 - 22
2G12	SHIELD, CROSS SHAFT.....	120 - 9	2D13	SUSPENSION, SEAT.....	90 - 19
2F8	SHIELD, LUBE LINE	110 - 5	1I16	SWASHPLATE, HYDRO. DRIVE PUMP (EATON).....	50 - 41
1D6	SHIELD, MUFFLER	30 - 15	1I3	SWASHPLATE, HYDROSTATIC DRIVE PUMP.....	50 - 26
2G11	SHIELD, UNIT DRIVE	120 - 8	1F8	SWITCH, DIMMER.....	40 - 21
2C14	SHIELDS, PLANT.....	80 - 17	1F3	SWITCH, HYDROSTATIC SAFETY	40 - 16
2C12	SHIELDS, REAR AXLE	80 - 15	1E19	SWITCH, STARTER SOLENOID.....	40 - 8
1H7	SHIFTER, CAM, TRANSMISSION	50 - 6	2B5	SWITCH, THERMAL	70 - 16
2D14	SHOCK ABSORBER, SCISSOR SUSPENSION	90 - 20	2E11	SWITCH, THERMOSTAT.....	90 - 44
1B7	SHORT BLOCK INSTALLATION KIT	20 - 16	1E14	SWITCH, UNIT LIFT	40 - 3
1B5	SHORT BLOCK, ENGINE (ESN -161132)	20 - 14	2E7	SWITCHES, AIR LOUVER AND PANEL	90 - 40
1B9	SHORT BLOCK, ENGINE (ESN 161133-).....	20 - 18	1E12	SWITCHES, CONSOLE.....	40 - 1
2F16	SIDE SHEETS AND PANELS.....	110 - 13			
2116	SIDE, L.H., BASKET	150 - 8		T	
2115	SIDE, R.H., BASKET	150 - 7	1A24	TACH-HOUR METER	20 - 9
2C23	SKIRTS, PLATFORM.....	90 - 4	1A23	TACHOMETER DRIVE	20 - 8
1E19	SOLENOID SWITCH COVER, STARTER	40 - 8	1D7	TANK, FUEL.....	30 - 16
1E19	SOLENOID SWITCH, STARTER.....	40 - 8	1C6	TANK, OVERFLOW, RADIATOR	20 - 44
2D19	SOUND-GARD CAB.....	90 - 26	2H6	TANK, WATER.....	130 - 5
1F25	SPEAKER KIT	40 - 39	1J10	TELESCOPING STEERING.....	60 - 2
2H12	SPINDLE MOISTENER	130 - 11	1A19	TEMPERATURE SENDER, COOLANT.....	20 - 4
2G19	SPINDLES, PICKER BAR	120 - 17	1G16	TERMINAL AND WIRING KIT	40 - 58
1H21	SPIRAL BEVEL GEAR, DIFFERENTIAL HOUSING	50 - 20	1G15	TERMINALS AND CONNECTORS	40 - 57
2D14	SPRING, SCISSORS SUSPENSION	90 - 20	1G22	TERMINALS, ELECTRICAL, WEATHERPACK.....	40 - 64
2G24	SPROCKET AND LINKAGE, DOFFER DRIVE TIGHT ..	120 - 22	1C13	THERMOSTAT	20 - 51
2G14	SPROCKETS, UPPER HOUSING.....	120 - 11	1C13	THERMOSTAT COVER.....	20 - 51
2E24	STABILIZER ROCKSHAFT AND TUBES	100 - 2	1E7	THROTTLE LEVER	30 - 42
2F22	STALK LIFTERS	110 - 19	2C12	TIE RODS, REAR AXLE	80 - 15
2G3	STALKLIFTER RODS	110 - 24	2G24	TIGHTENER, DOFFER DRIVE	120 - 22
1E16	STARTER ARMATURE	40 - 5	1B20	TIMING GEAR COVER	20 - 30
1E18	STARTER COIL	40 - 7	1E5	TRANSFER PUMP, FUEL.....	30 - 40
1E17	STARTER COMMUTATOR END FRAME.....	40 - 6	2B21	TRANSMISSION AND HYDRAULIC OIL	70 - 34
1E16	STARTER DRIVE HOUSING.....	40 - 5	1H7	TRANSMISSION CASE, SHIFTER CAM AND FORKS ..	50 - 6
1B15	STARTER GEAR	20 - 25	1H11	TRANSMISSION COUNTERSHAFT	50 - 10
1E18	STARTER MAIN FRAME.....	40 - 7	1H9	TRANSMISSION INPUT SHAFT	50 - 8
1E19	STARTER SOLENOID SWITCH	40 - 8	1H6	TRANSMISSION PARK LOCK	50 - 5
1E19	STARTER SOLENOID SWITCH COVER	40 - 8	1H9	TRANSMISSION UNIT DRIVE SHAFT	50 - 8
1D4	STARTING AID TUBE KIT	30 - 13	1I16	TRUNNIONS, HYDRO. DRIVE PUMP (EATON)	50 - 41
1D4	STARTING FLUID TUBE KIT	30 - 13	1I3	TRUNNIONS,BRGS,HYDRO.DR.PUMP SWASHPLATE	50 - 26
1E15	STARTING MOTOR.....	40 - 4	1J17	TUBE, BRAKE PRESSURE.....	60 - 10
1J16	STEERING LINES	60 - 9	1B11	TUBE, DIPSTICK	20 - 20
1J17	STEERING LINES	60 - 10	1J17	TUBE, STEERING PRESSURE	60 - 10
1J11	STEERING METERING VALVE	60 - 3	1A16	TUBE, VENTILATOR	20 - 1
1J14	STEERING MOTOR.....	60 - 7	2H20	TUBES, AIR.....	140 - 8
1J9	STEERING POST AND SUPPORT.....	60 - 1	2H22	TUBES, AIR	140 - 10
1J12	STEERING VALVE.....	60 - 4	1C19	TUBES, AIR INTAKE	30 - 2
1J10	STEERING, TELESCOPING	60 - 2	2B13	TUBES, BASKET COMPACTOR HYDRAULIC	70 - 26
2H19	STEP, UPPER DUCT	140 - 7	2B9	TUBES, HEIGHT SENSING	70 - 22
2F8	STIFFENER, FRONT	110 - 5	2B6	TUBES, HYDRAULIC RETURN	70 - 18
2E23	STOP, SAFETY, UNIT LIFT	100 - 1	2B8	TUBES, MAIN HYDRAULIC PRESSURE	70 - 21
1A20	STRAPS, LIFT	20 - 5	2A24	TUBES, UNIT LIFT HYDRAULIC	70 - 10
2G21	STUD, DOFFER.....	120 - 19	2C14	TUNNELS, PLANT	80 - 17
2G20	STUD, PICKER BAR	120 - 18	1C25	TURBOCHARGER	30 - 8
1G15	SUPPLEMENTARY TERMINALS AND CONNECTORS	40 - 57			
2H25	SUPPORT, DUCT	140 - 13			

ALPHABETICAL INDEX - CONTINUED

<i>GRID</i>		<i>PAGE</i>	<i>GRID</i>		<i>PAGE</i>
1D1	TURBOCHARGER (AIRESEARCH)	30 - 9	2H8	WATER PUMP	130 - 7
1D2	TURBOCHARGER CENTER HOUSING	30 - 10	1C12	WATER PUMP REPAIR KIT	20 - 50
1D1	TURBOCHARGER HOUSING (AIRESEARCH)	30 - 9	1D9	WATER SEPARATOR	30 - 18
1C25	TURBOCHARGER HOUSINGS	30 - 8	2H6	WATER TANK AND WRAPPER	130 - 5
1C23	TURBOCHARGER OIL PIPES	30 - 6	2D1	WATER TANK LADDER	90 - 6
1D2	TURBOCHARGER ROTATING PARTS	30 - 10	2H4	WATER VALVE	130 - 3
1F9	TURN SIGNAL CONTROLS	40 - 22	1G22	WEATHERPACK CONNECTORS	40 - 64
			1G22	WEATHERPACK TERMINALS	40 - 64
	U		2C9	WHEEL, MAIN DRIVE	80 - 12
2G6	UNIT DRIVE COUNTERSHAFT AND SLIP CLUTCH	120 - 3	2C13	WHEEL, REAR	80 - 16
2G8	UNIT DRIVE GEAR CASE, INNER	120 - 5	2D21	WINDOW HINGE	90 - 28
2G10	UNIT DRIVE GEAR CASE, OUTER	120 - 7	2D20	WINDOWS, CAB	90 - 27
1H9	UNIT DRIVE SHAFT	50 - 8	2E12	WINDSHIELD WIPER	90 - 45
2G11	UNIT DRIVE UNIVERSAL JOINT	120 - 8	2E12	WINDSHIELD WIPER BLADE	90 - 45
2E23	UNIT LIFT BRACKETS	100 - 1	2E12	WINDSHIELD WIPER MOTOR	90 - 45
2F2	UNIT LIFT CONTROL VALVE LINKAGE	100 - 5	1G3	WIRING HARNESS	40 - 43
2A25	UNIT LIFT CYLINDER	70 - 11	1G4	WIRING, CAB	40 - 44
2A24	UNIT LIFT HYDRAULIC HOSES AND TUBES	70 - 10	1G7	WIRING, MONITOR, INNER UNITS	40 - 47
2E25	UNIT LIFT LEVERS	100 - 3	1G9	WIRING, MONITOR, OUTER UNITS	40 - 49
2F1	UNIT LIFT LINKAGE	100 - 4	2H6	WRAPPER, WATER TANK	130 - 5
1E14	UNIT LIFT SWITCH	40 - 3	2G19	WRENCH, PICKER BAR SPINDLE	120 - 17
2G25	UNIT LUBRICATION SYSTEM	120 - 23			
1H5	UNIT SHIFT LEVER AND LINKAGE	50 - 4			
2H20	UNIT TO BASKET DUCTS	140 - 8			
2H22	UNIT TO BASKET DUCTS	140 - 10			
2G11	UNIVERSAL JOINT, UNIT DRIVE	120 - 8			
2D24	UPHOLSTERY, CAB REAR	90 - 32			
2G22	UPPER DOFFER ADJUSTING HOUSING	120 - 20			
	V				
1I22	VALVE BLOCK, CHARGE PRESSURE RELIEF (EATON)	50 - 49			
1C5	VALVE STEM LUBRICANT, ENGINE	20 - 41			
1J19	VALVE, BRAKE	60 - 12			
1J21	VALVE, BRAKE, REPAIR KIT	60 - 14			
2A20	VALVE, CONTROL	70 - 6			
1I5	VALVE, CONTROL, HYDROSTATIC	50 - 28			
1D10	VALVE, FUEL CHECK	30 - 19			
2E9	VALVE, HEATER CONTROL	90 - 42			
1I21	VALVE, HIGH PRESSURE RELIEF (EATON)	50 - 47			
1I18	VALVE, HYDRO. DR. DISPLACEMENT CONTROL (EATON)	50 - 44			
1J11	VALVE, METERING, STEERING	60 - 3			
1B25	VALVE, OIL COOLER BYPASS	20 - 36			
1C1	VALVE, OIL COOLER BYPASS	20 - 37			
1J12	VALVE, STEERING	60 - 4			
2H4	VALVE, WATER	130 - 3			
1A17	VALVES, EXHAUST	20 - 2			
1A17	VALVES, INTAKE	20 - 2			
1A16	VENTILATOR TUBE	20 - 1			
1F1	VOLTAGE REGULATOR (90-AMP)	40 - 14			
	W				
1F6	WARNING LAMP, FRONT	40 - 19			
1F7	WARNING LAMP, REAR	40 - 20			
1C13	WATER BYPASS TUBE	20 - 51			
2H7	WATER LINE (TANK TO STRAINER)	130 - 6			
2H10	WATER LINES AND FITTINGS	130 - 9			
1C13	WATER OUTLET MANIFOLD	20 - 51			
1C11	WATER PUMP	20 - 49			
2H7	WATER PUMP	130 - 6			

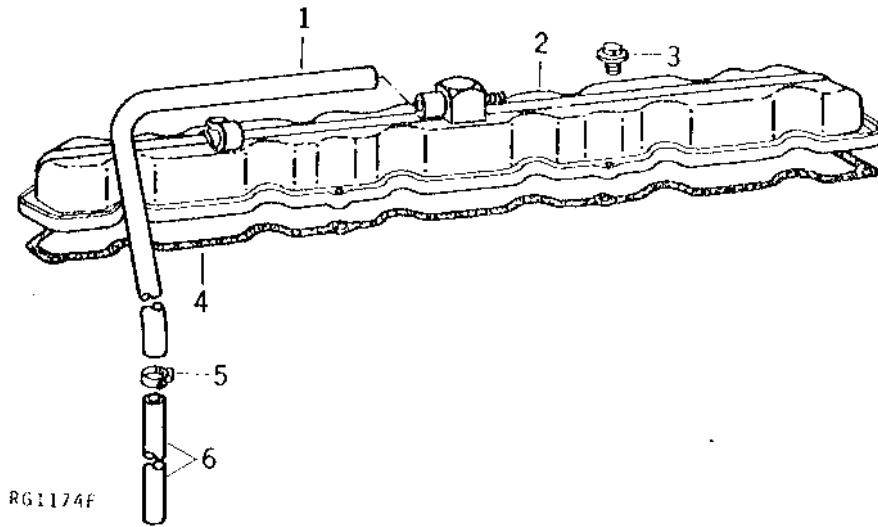
MEMORANDA

1A16

ENGINE

RG1174F -UN-01JAN94

ROCKER ARM COVER



KEY	PART NO.	PART NAME	QTY	ENGINE SERIAL NO.	REMARKS
1	R99793	HOSE	1		(SUB FOR R60753) 19MM X 889MM (3/4" X 35") (POLYETHYLENE)
2	RE37448	COVER	1		(SUB FOR AR93172)
3	AR103811	SCREW WITH WASHER	8		(SUB FOR AR45530)
4	R49866	GASKET	1		
5	AR21839	CLAMP	2		
6	R50388	TUBE	1		

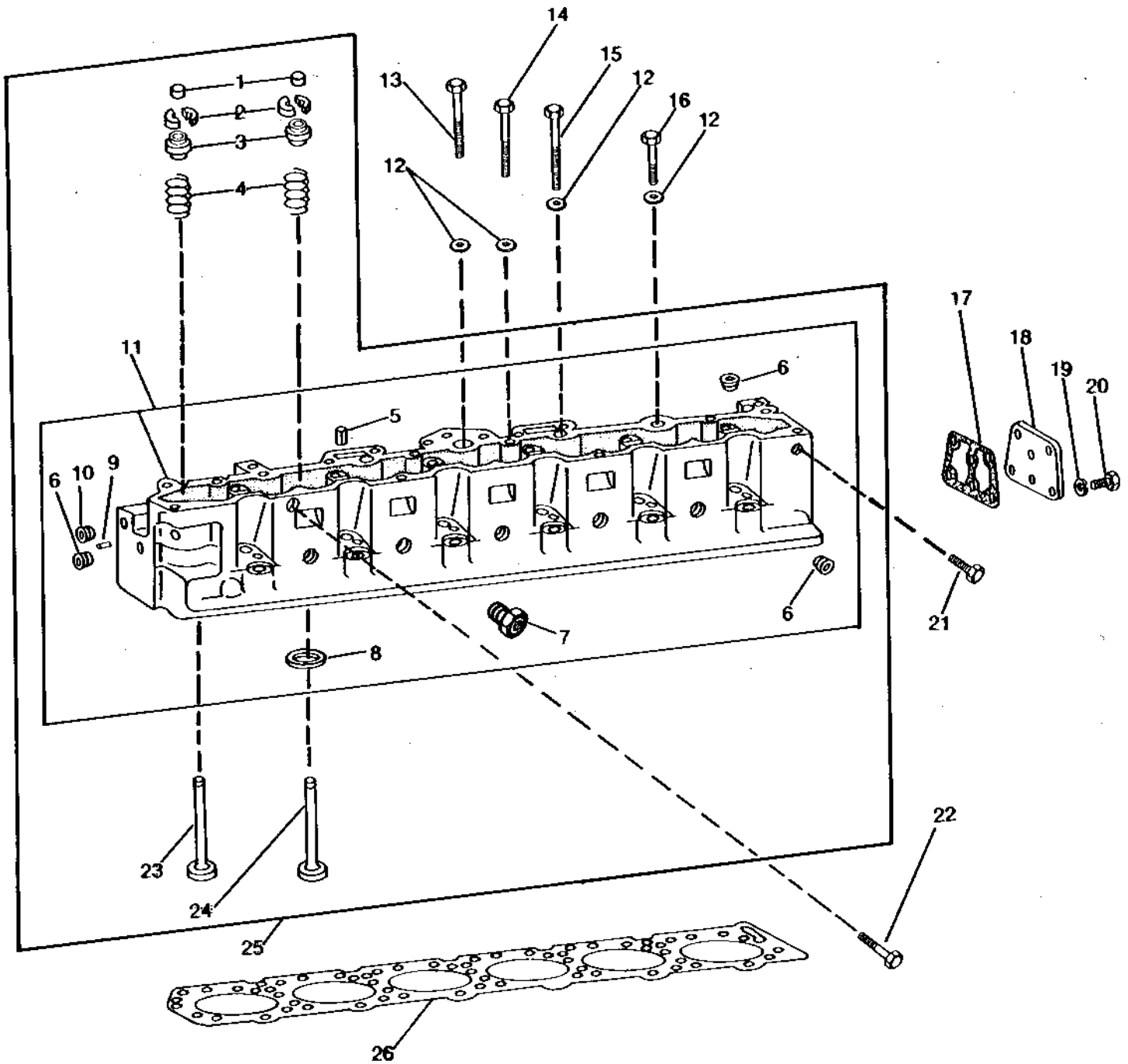
1A17

ENGINE

RGP1204

-UN-01JAN94

CYLINDER HEAD AND VALVES



RGP1204

1A18

ENGINE

CYLINDER HEAD AND VALVES - CONTINUED

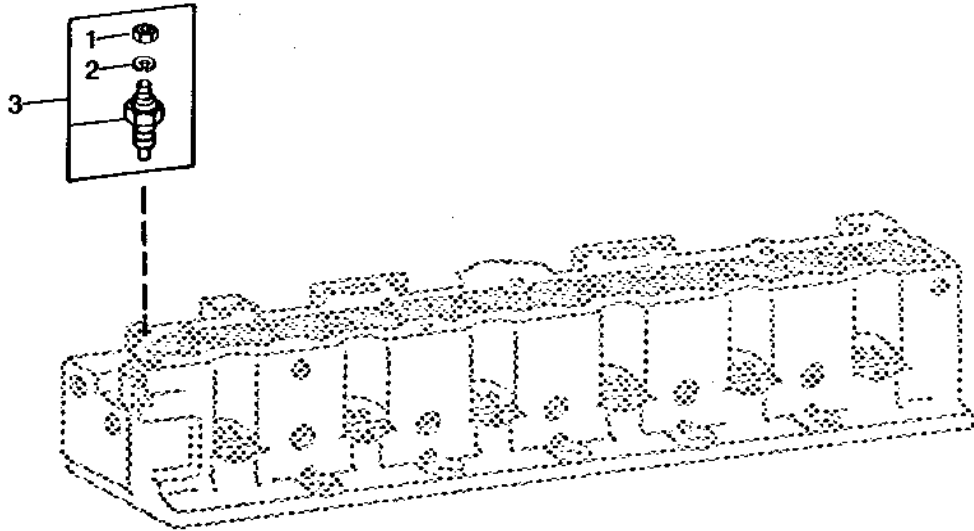
KEY	PART NO.	PART NAME	QTY	ENGINE SERIAL NO.	REMARKS
1	T20129	CAP	12		
2	T20077	RETAINER	24		
3	RE11410	ROTATOR	12		(SUB FOR AR41006)
4	R26125	SPRING	12		
5	34H387	SPRING PIN	1		3/16" X 3/4"
6	15H665	PIPE PLUG	13		3/4"
7	R76491	PIPE PLUG	1		(USE WITH R76384) (SUB FOR RE10132)
8	R78702	VALVE SEAT INSERT	12		(SUB FOR R50356, THIS APPLICATION) STANDARD
	R55061	VALVE SEAT INSERT	12		0.25 MM (.010") OVERSIZE
9	F1743R	DOWEL PIN	1		
10	15H624	PIPE PLUG	1		1/2"
11	AR103505	CYLINDER HEAD	1		(MARKED R61521 OR R76384) (SUB FOR AR81615)
12	R76126	WASHER	26		(SUB FOR R42364)
13	R88045	SCREW	7		(SUB FOR R62420)
14	R88044	SCREW	8		(SUB FOR R62419)
15	R88043	SCREW	5		(SUB FOR R62418)
16	R88042	SCREW	6		(SUB FOR R62421)
17	R43595	GASKET	1		
18	R51347	COVER	1		
19	12H331	LOCK WASHER	5		3/8"
20	19H2284	CAP SCREW	5		3/8" X 7/8"
21	R45693	CAP SCREW	2		
22	R45692	CAP SCREW	1		
23	R50358	INTAKE VALVE	6		STANDARD
	R55055	INTAKE VALVE	6		0.08 MM (.003") OVERSIZE
	R55057	INTAKE VALVE	6		0.38 MM (.015") OVERSIZE
	R55059	INTAKE VALVE	6		0.76 MM (.030") OVERSIZE
24	R50357	EXHAUST VALVE	6		STANDARD
	R55056	EXHAUST VALVE	6		0.08 MM (.003") OVERSIZE
	R55058	EXHAUST VALVE	6		0.38 MM (.015") OVERSIZE
	R55060	EXHAUST VALVE	6		0.76 MM (.030") OVERSIZE
25	RE11470	CYLINDER HEAD	1		
26	R55182	GASKET	1		

1A19

ENGINE

RGP1468 -UN-01JAN94

COOLANT TEMPERATURE SENDER



RGP1468

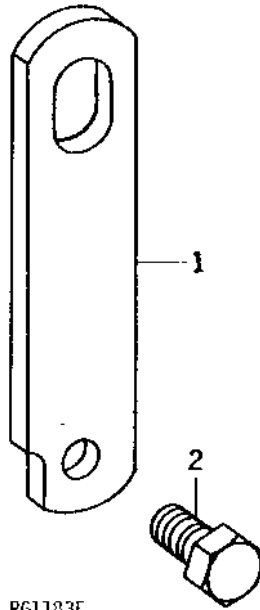
KEY	PART NO.	PART NAME	QTY	ENGINE SERIAL NO.	REMARKS
1	14H631	NUT	1	0.190"	
2	12H295	LOCK WASHER	1	0.190"	
3	AR58233	ENGINE COOLANT TEMP SENDER	1		

1A20

ENGINE

RG1183F -UN-01JAN94

LIFT STRAP



KEY	PART NO.	PART NAME	QTY	SERIAL NO.	REMARKS
1	R61497	STRAP	1		
2	R45693	CAP SCREW	1		