

**8100, 8200, 8300
and 8400 Tractors**



JOHN DEERE

PARTS CATALOG

**8100, 8200, 8300
and 8400 Tractors**

PC2389 (DEC-05) English

**John Deere Waterloo Works
AR114772**

North American Edition
Litho in U.S.A. (Revised)
COPYRIGHT © 2005
DEERE & COMPANY
Moline, Illinois
All rights reserved

10-A01

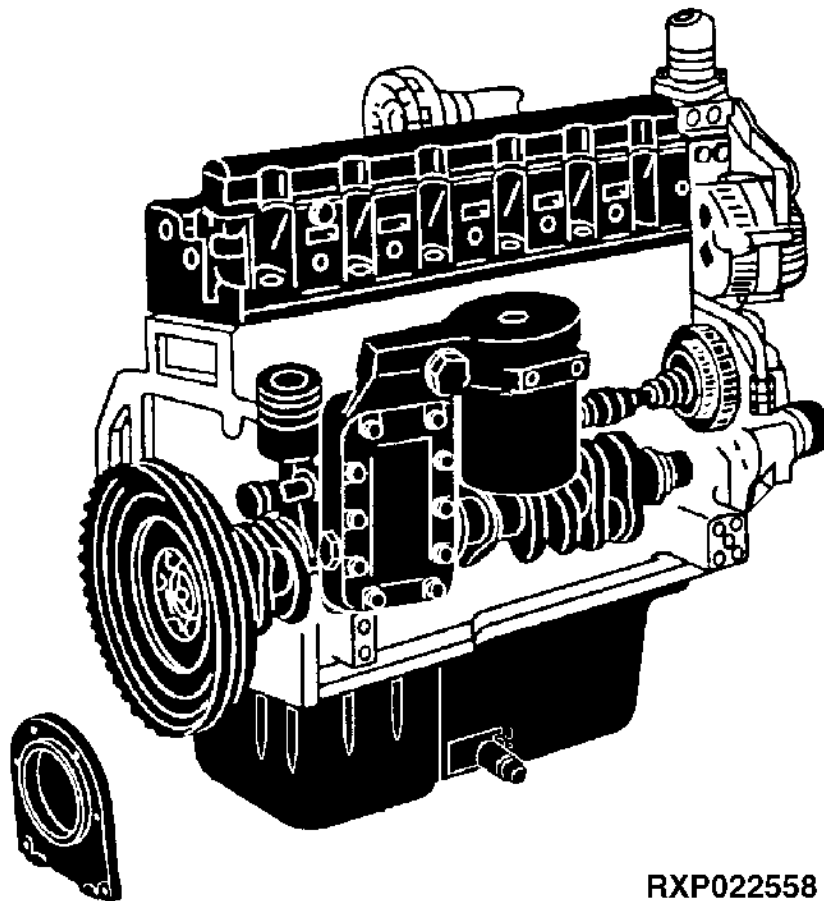
8100, 8200, 8300, 8400 TRACTORS

PRIMARY INDEX
INDEX PRINCIPAL
HAUPTINDEX
INDICE PRINCIPALE
INDICE DE MATERIAS
HUVUDFORTECKNING

RXP022558 -UN-

20- A01
20- A02
20- A03
20- A04
20- A05
20- A06

20



RXP022558

10-A02

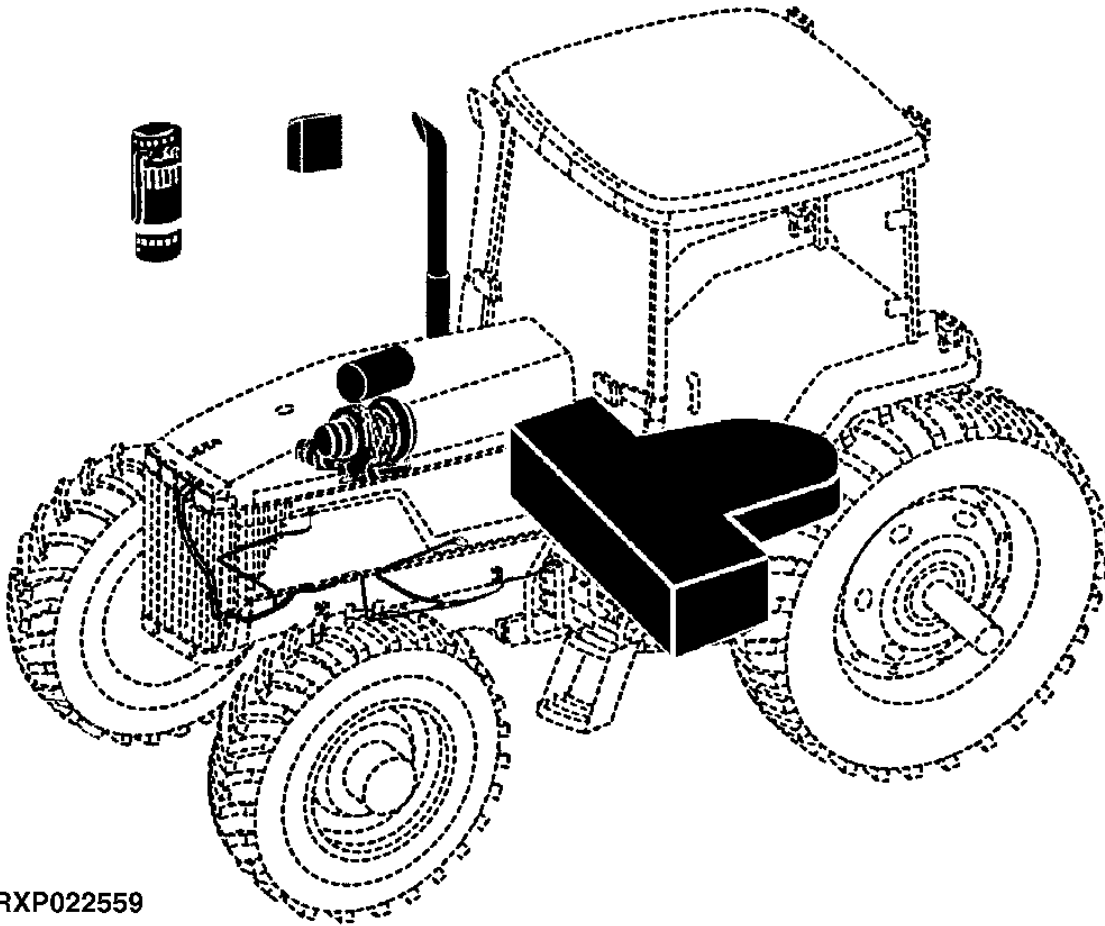
8100, 8200, 8300, 8400 TRACTORS

PRIMARY INDEX
INDEX PRINCIPAL
HAUPTINDEX
INDICE PRINCIPALE
INDICE DE MATERIAS
HUVUDFORTECKNING

RXP022559 -UN-

20-	A01
20-	A02
20-	A03
20-	A04
20-	A05
20-	A06
30-	A01

30



RXP022559

**Thanks very much for your reading,
Want to get more information,
Please click here, Then get the complete
manual**

JustClickHere 

NOTE:

**If there is no response to click on the link above,
please download the PDF document first, and then
click on it.**

**Have any questions please write to me:
admin@servicemanualperfect.com**

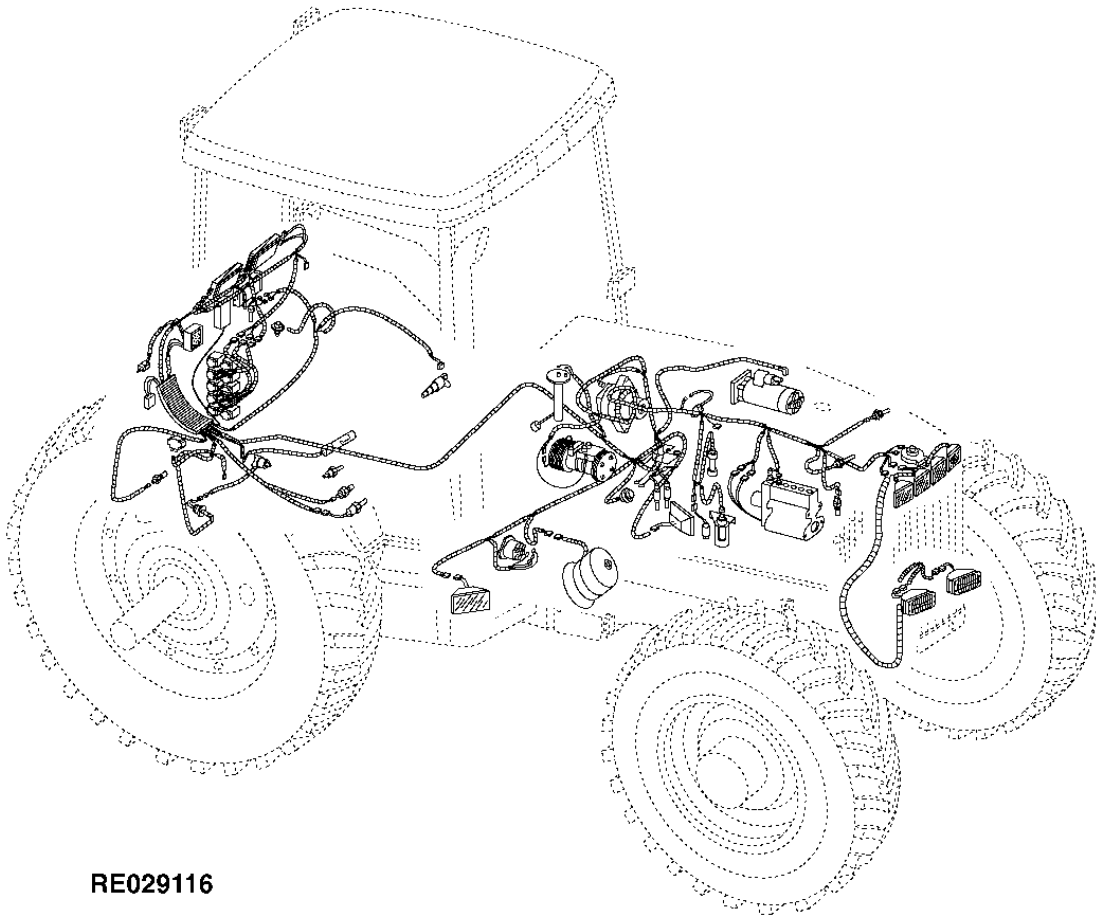
10-A03

8100, 8200, 8300, 8400 TRACTORS

PRIMARY INDEX
INDEX PRINCIPAL
HAUPTINDEX
INDICE PRINCIPALE
INDICE DE MATERIAS
HUVUDFORTECKNING

RE029116 -UN-

40



RE029116

20- A01
20- A02
20- A03
20- A04
20- A05
20- A06
40- A01
40- A02
40- A03
40- A04
40- A05
40- A06
40- A07

10-A04

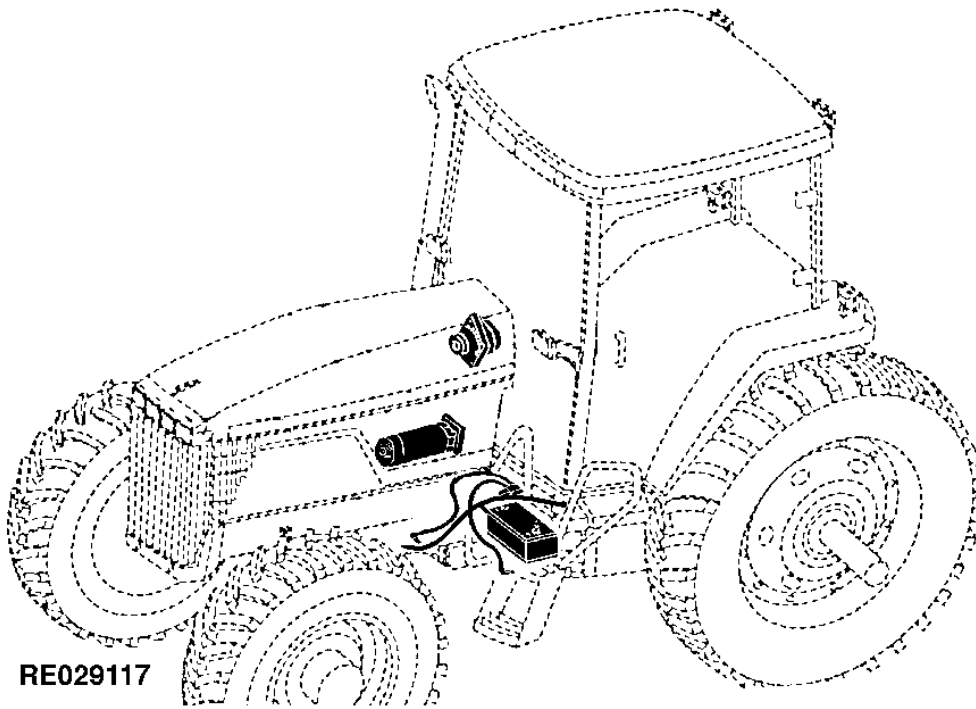
8100, 8200, 8300, 8400 TRACTORS

PRIMARY INDEX
INDEX PRINCIPAL
HAUPTINDEX
INDICE PRINCIPALE
INDICE DE MATERIAS
HUVUDFORTECKNING

RE029117 -UN-

20- A01
20- A02
20- A03
20- A04
20- A05
20- A06
41- A01

41



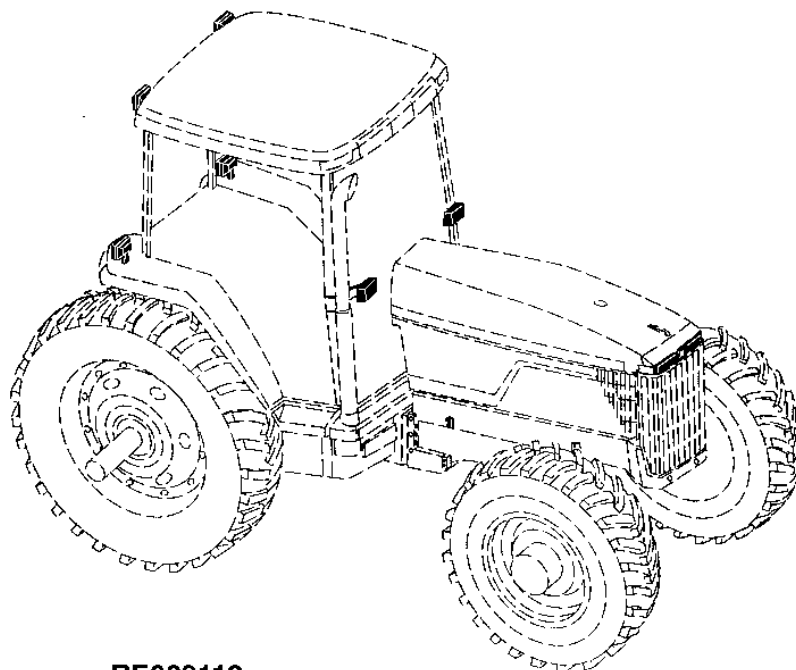
10-A05

8100, 8200, 8300, 8400 TRACTORS

PRIMARY INDEX
INDEX PRINCIPAL
HAUPTINDEX
INDICE PRINCIPALE
INDICE DE MATERIAS
HUVUDFORTECKNING

RE029118 -UN-

42



RE029118

20- A01
20- A02
20- A03
20- A04
20- A05
20- A06
42- A01
42- A02

10-A06

8100, 8200, 8300, 8400 TRACTORS

PRIMARY INDEX
INDEX PRINCIPAL
HAUPTINDEX
INDICE PRINCIPALE
INDICE DE MATERIAS
HUVUDFORTECKNING

RE029503 -UN-

20- A01
20- A02
20- A03
20- A04
20- A05
20- A06
43- A01

43



RE029503

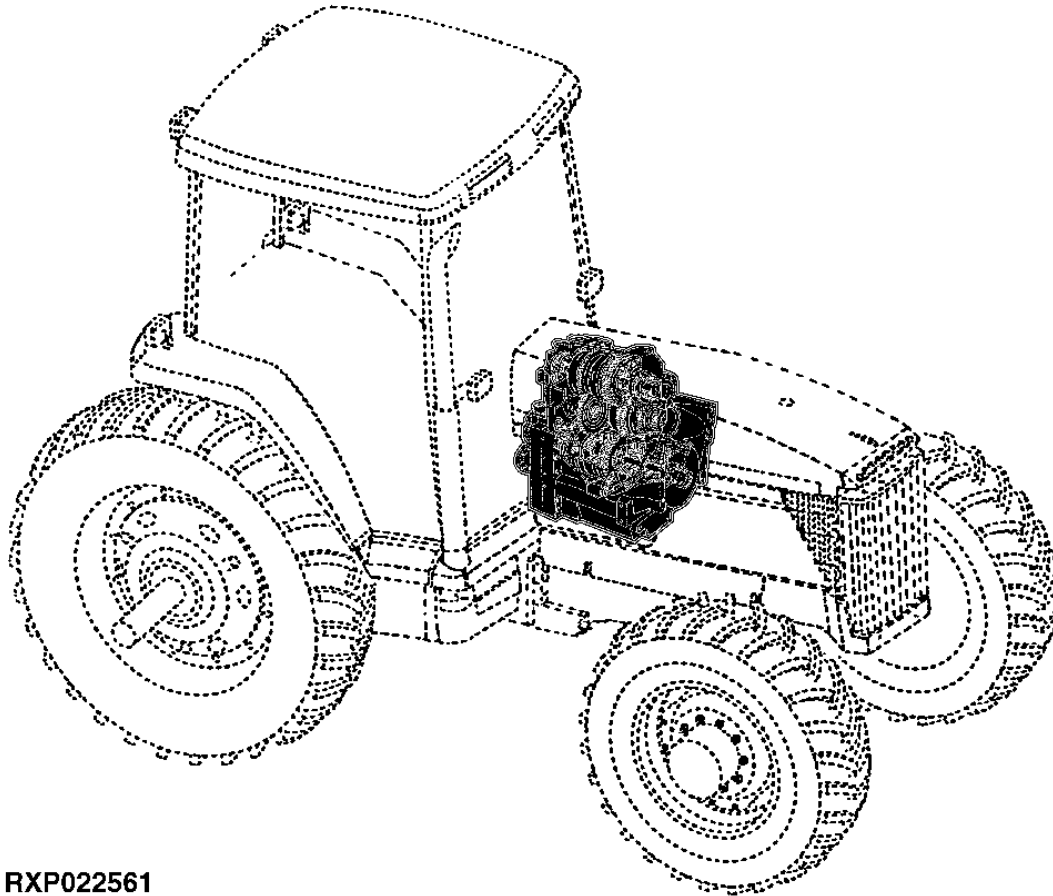
10-A07

8100, 8200, 8300, 8400 TRACTORS

PRIMARY INDEX
INDEX PRINCIPAL
HAUPTINDEX
INDICE PRINCIPALE
INDICE DE MATERIAS
HUVUDFORTECKNING

RXP022561 -UN-

51



RXP022561

20- A01
20- A02
20- A03
20- A04
20- A05
20- A06
51- A01
51- A02
51- A03
51- A04

10-A08

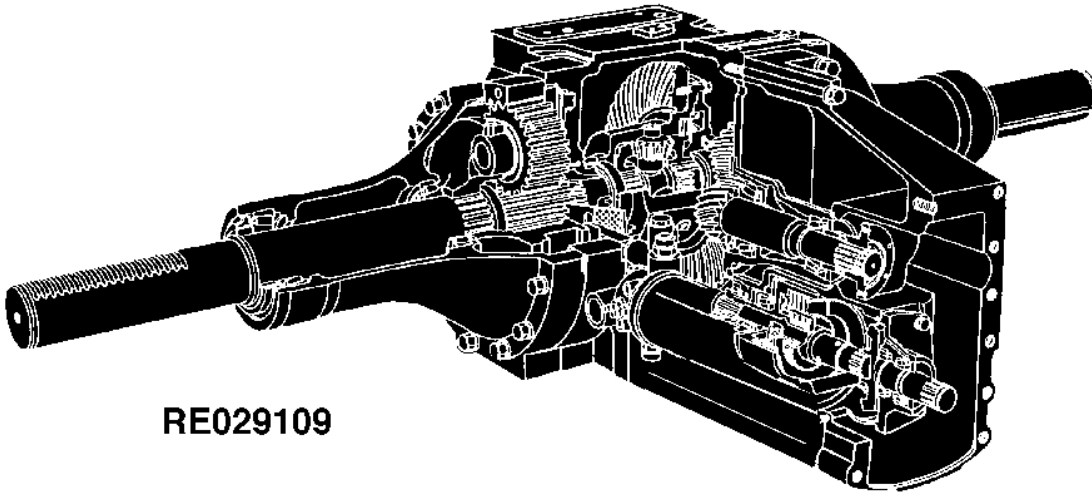
8100, 8200, 8300, 8400 TRACTORS

PRIMARY INDEX
INDEX PRINCIPAL
HAUPTINDEX
INDICE PRINCIPALE
INDICE DE MATERIAS
HUVUDFORTECKNING

RE029109 -UN-

20- A01
20- A02
20- A03
20- A04
20- A05
20- A06
53- A01

53



RE029109

10-A09

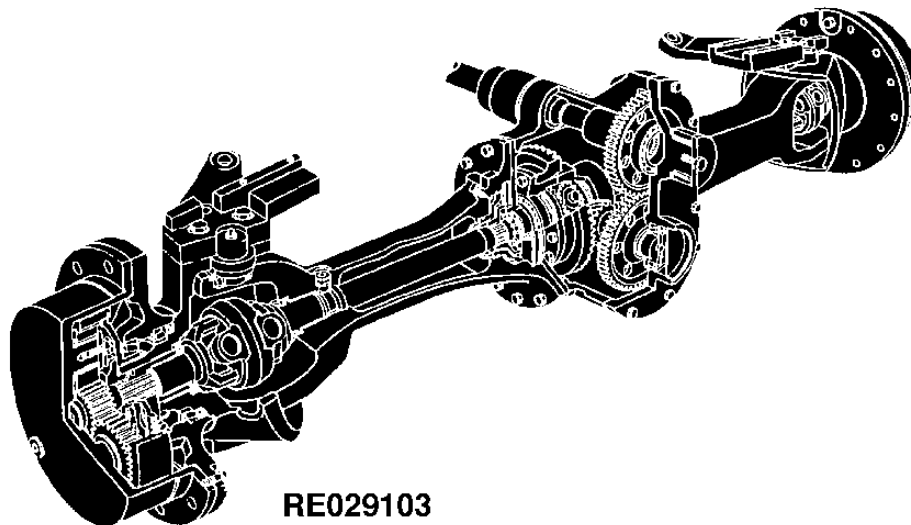
8100, 8200, 8300, 8400 TRACTORS

PRIMARY INDEX
INDEX PRINCIPAL
HAUPTINDEX
INDICE PRINCIPALE
INDICE DE MATERIAS
HUVUDFORTECKNING

RE029103 -UN-

20- A01
20- A02
20- A03
20- A04
20- A05
20- A06
54- A01
54- A02

54



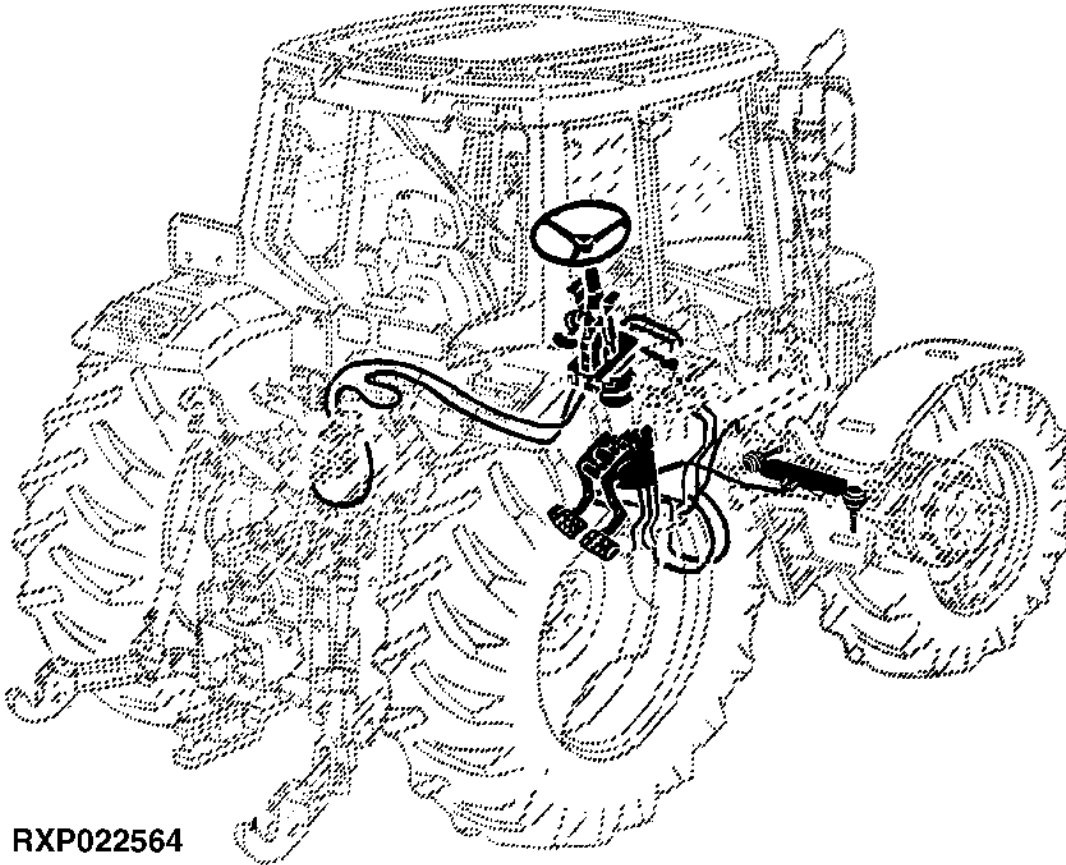
10-A1A

8100, 8200, 8300, 8400 TRACTORS

PRIMARY INDEX
INDEX PRINCIPAL
HAUPTINDEX
INDICE PRINCIPALE
INDICE DE MATERIAS
HUVUDFORTECKNING

RXP022564 -UN-

60



RXP022564

20-	A01
20-	A02
20-	A03
20-	A04
20-	A05
20-	A06
60-	A01
60-	A02
70-	A01

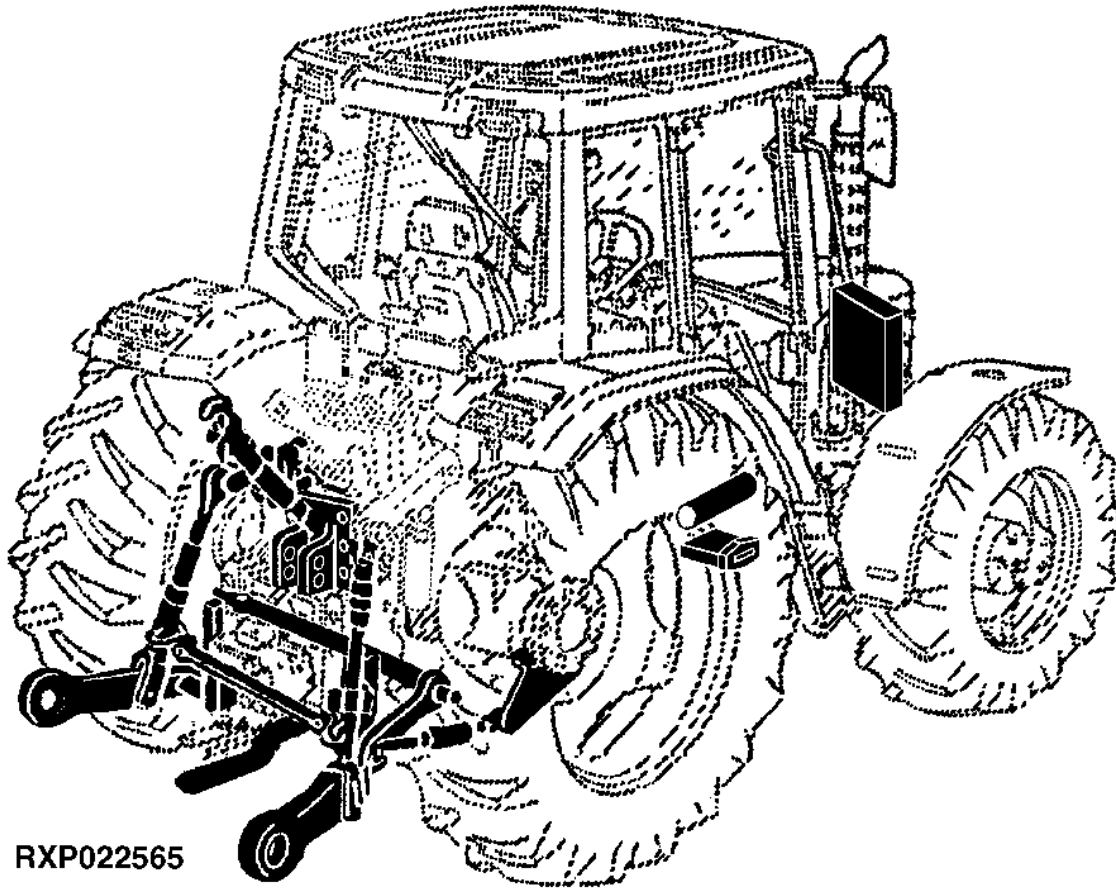
10-A1B

8100, 8200, 8300, 8400 TRACTORS

PRIMARY INDEX
INDEX PRINCIPAL
HAUPTINDEX
INDICE PRINCIPALE
INDICE DE MATERIAS
HUVUDFORTECKNING

RXP022565 -UN-

70



RXP022565

20-	A01
20-	A02
20-	A03
20-	A04
20-	A05
20-	A06
70-	A02
70-	A03
70-	A04

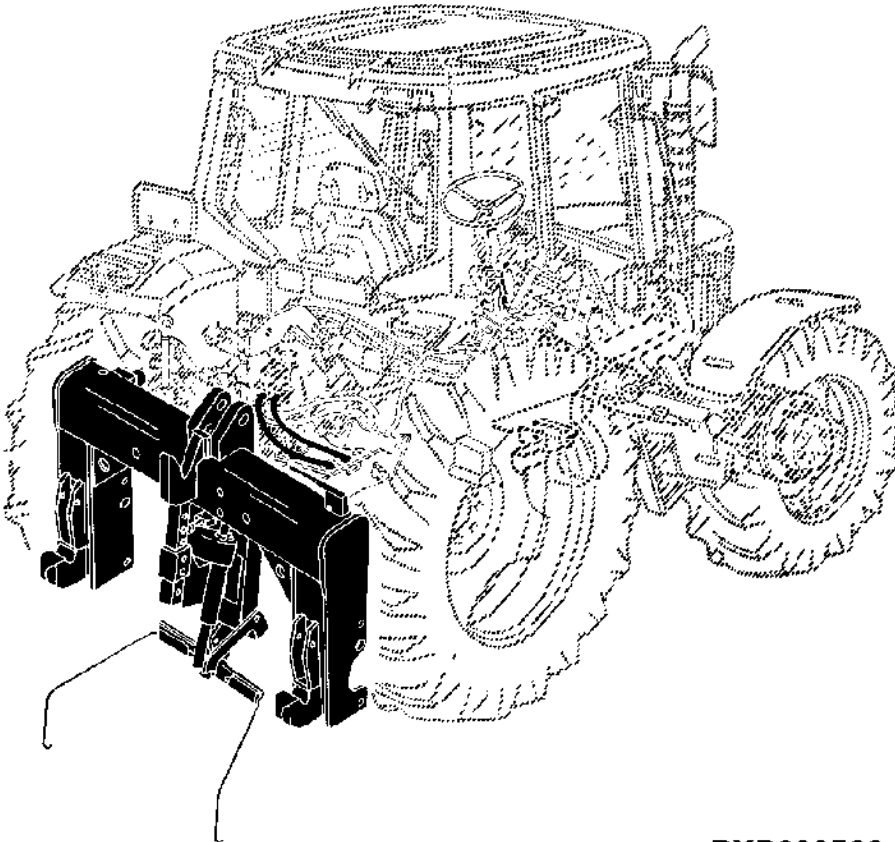
10-A1C

8100, 8200, 8300, 8400 TRACTORS

PRIMARY INDEX
INDEX PRINCIPAL
HAUPTINDEX
INDICE PRINCIPALE
INDICE DE MATERIAS
HUVUDFORTECKNING

RXP022566 -UN-

71



20-	A01
20-	A02
20-	A03
20-	A04
20-	A05
20-	A06
71-	A01

RXP022566

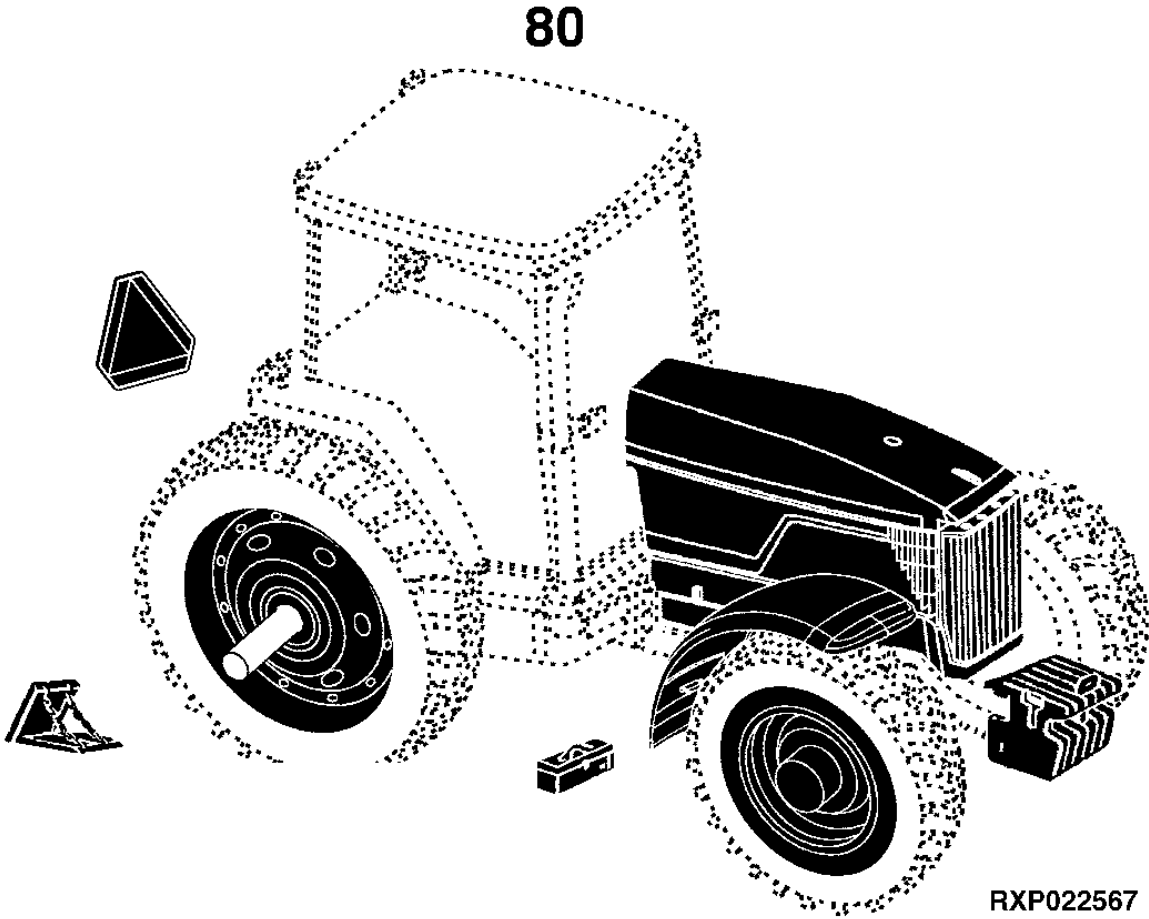
10-A1D

8100, 8200, 8300, 8400 TRACTORS

PRIMARY INDEX
INDEX PRINCIPAL
HAUPTINDEX
INDICE PRINCIPALE
INDICE DE MATERIAS
HUVUDFORTECKNING

RXP022567 -UN-

20-	A01
20-	A02
20-	A03
20-	A04
20-	A05
20-	A06
80-	A01
80-	A02
80-	A03



10-A1E

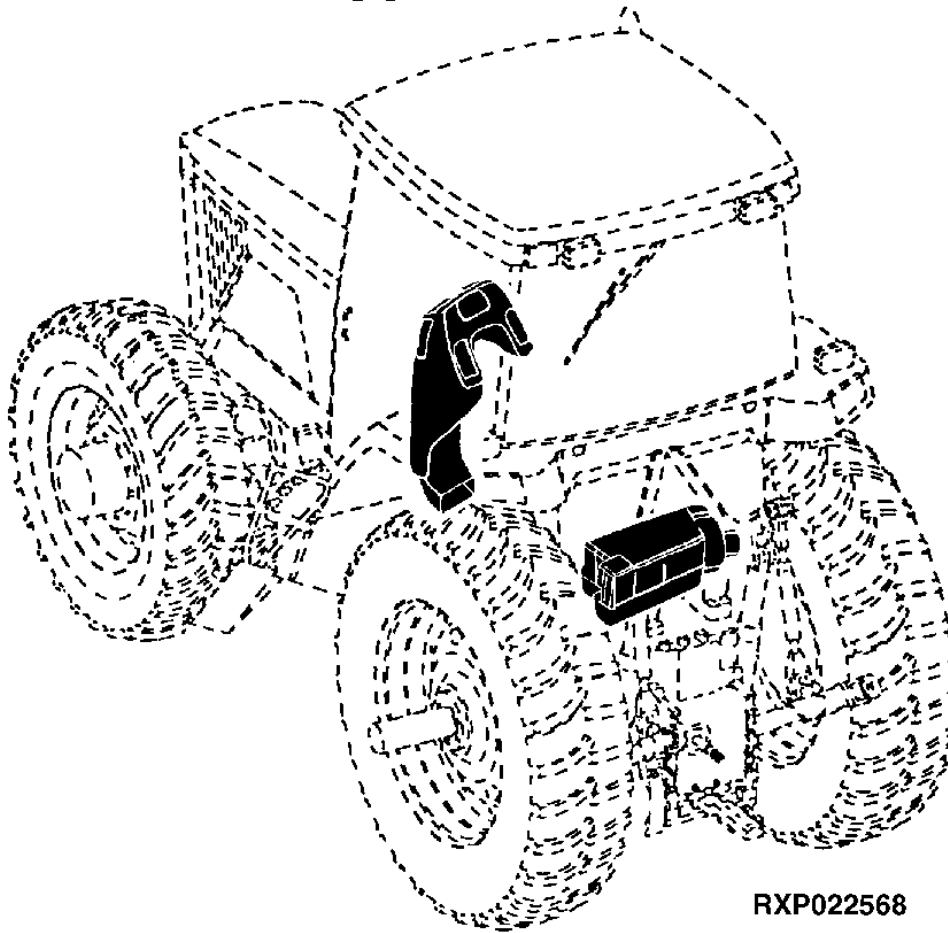
8100, 8200, 8300, 8400 TRACTORS

PRIMARY INDEX
INDEX PRINCIPAL
HAUPTINDEX
INDICE PRINCIPALE
INDICE DE MATERIAS
HUYUDFORTECKNING

RXP022568 -UN-

20-	A01
20-	A02
20-	A03
20-	A04
20-	A05
20-	A06
90-	A01

90



RXP022568

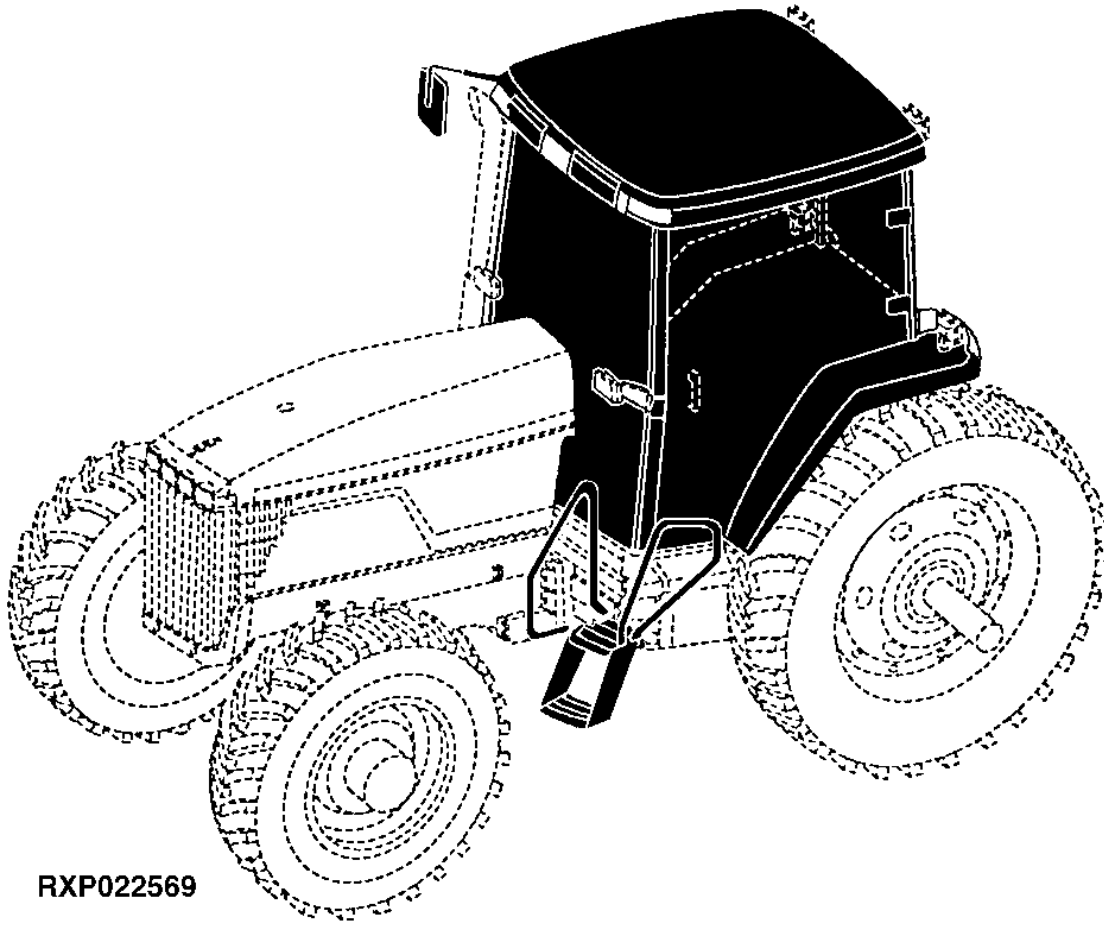
10-A1F

8100, 8200, 8300, 8400 TRACTORS

PRIMARY INDEX
INDEX PRINCIPAL
HAUPTINDEX
INDICE PRINCIPALE
INDICE DE MATERIAS
HUYUDFORTECKNING

RXP022569 -UN-

91



RXP022569

20- A01
20- A02
20- A03
20- A04
20- A05
20- A06
91- A01
91- A02
91- A03

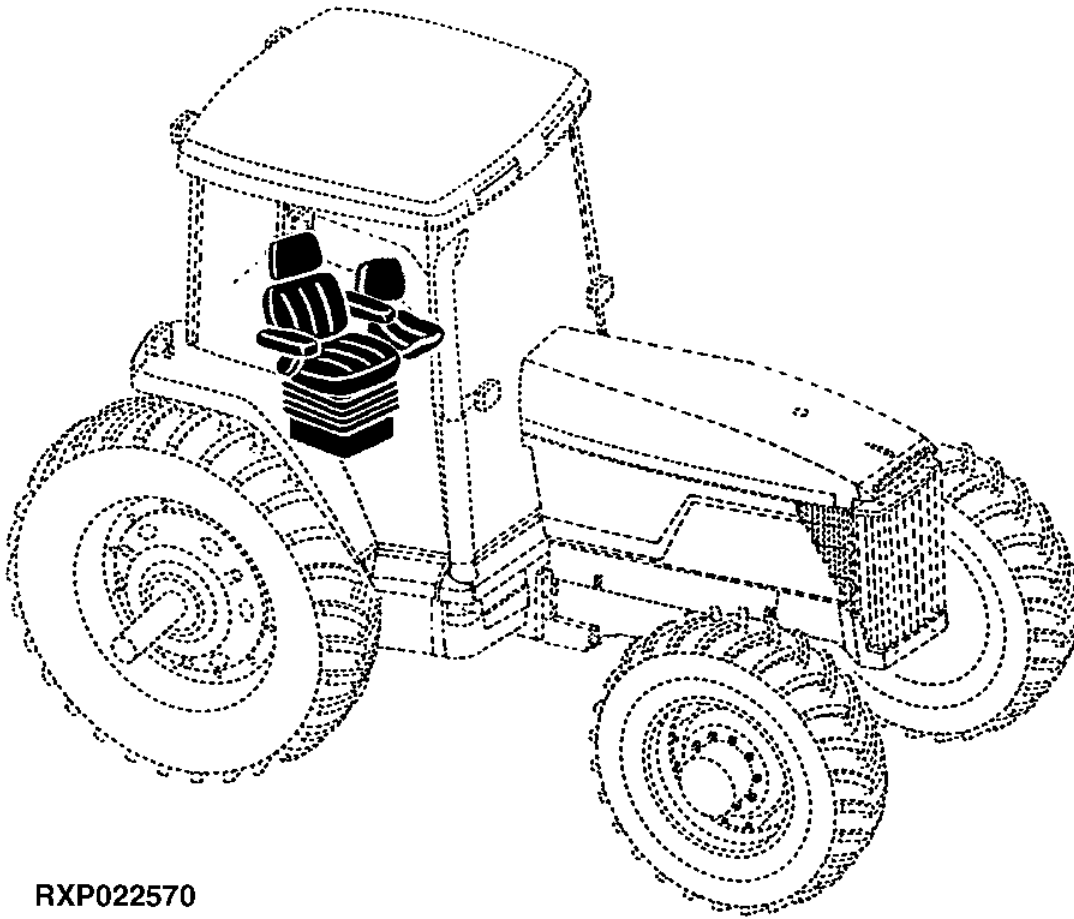
10-A1G

8100, 8200, 8300, 8400 TRACTORS

PRIMARY INDEX
INDEX PRINCIPAL
HAUPTINDEX
INDICE PRINCIPALE
INDICE DE MATERIAS
HUYUDFORTECKNING

RXP022570 -UN-

92



RXP022570

20-	A01
20-	A02
20-	A03
20-	A04
20-	A05
20-	A06
92-	A01
92-	A02

10-A1H

8100, 8200, 8300, 8400 TRACTORS

PRIMARY INDEX
INDEX PRINCIPAL
HAUPTINDEX
INDICE PRINCIPALE
INDICE DE MATERIAS
HUYUDFORTECKNING

RXA0066756 -UN-

20-	A01
20-	A02
20-	A03
20-	A04
20-	A05
20-	A06
93-	A01

