

# 640D Advanced Draper Platform



**JOHN DEERE**

## **PARTS CATALOG**

**640D Advanced Draper  
Platform**

**PC9813 (Nov-11) English**

**John Deere Harvester Works**

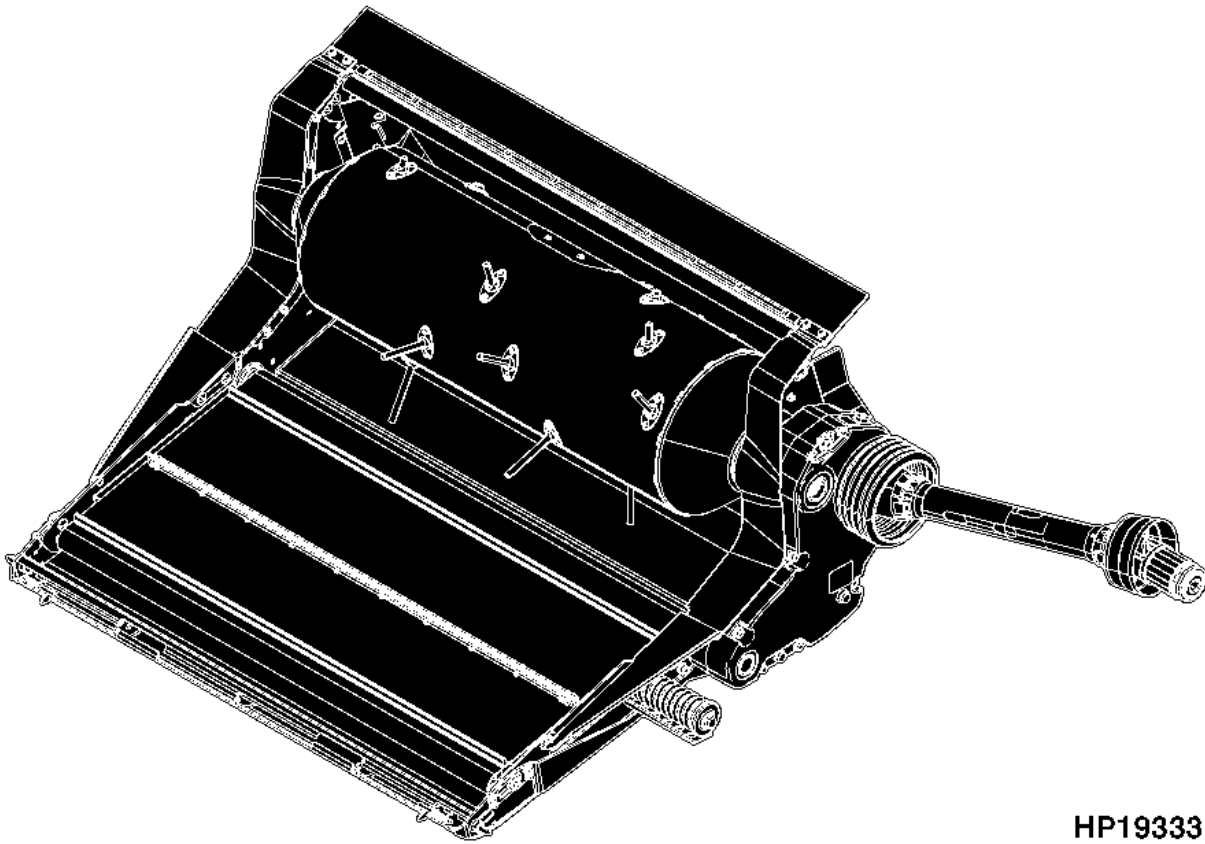
Litho in U.S.A. (Revised)  
COPYRIGHT © 2011  
DEERE & COMPANY  
Moline, Illinois  
All rights reserved



Primary Pictorial Index  
Index d'illustrations principal  
Hauptbildindex  
Indice principale illustrato  
Índice primario de ilustraciones  
Huvudbildregister

HP19333 A.1

10

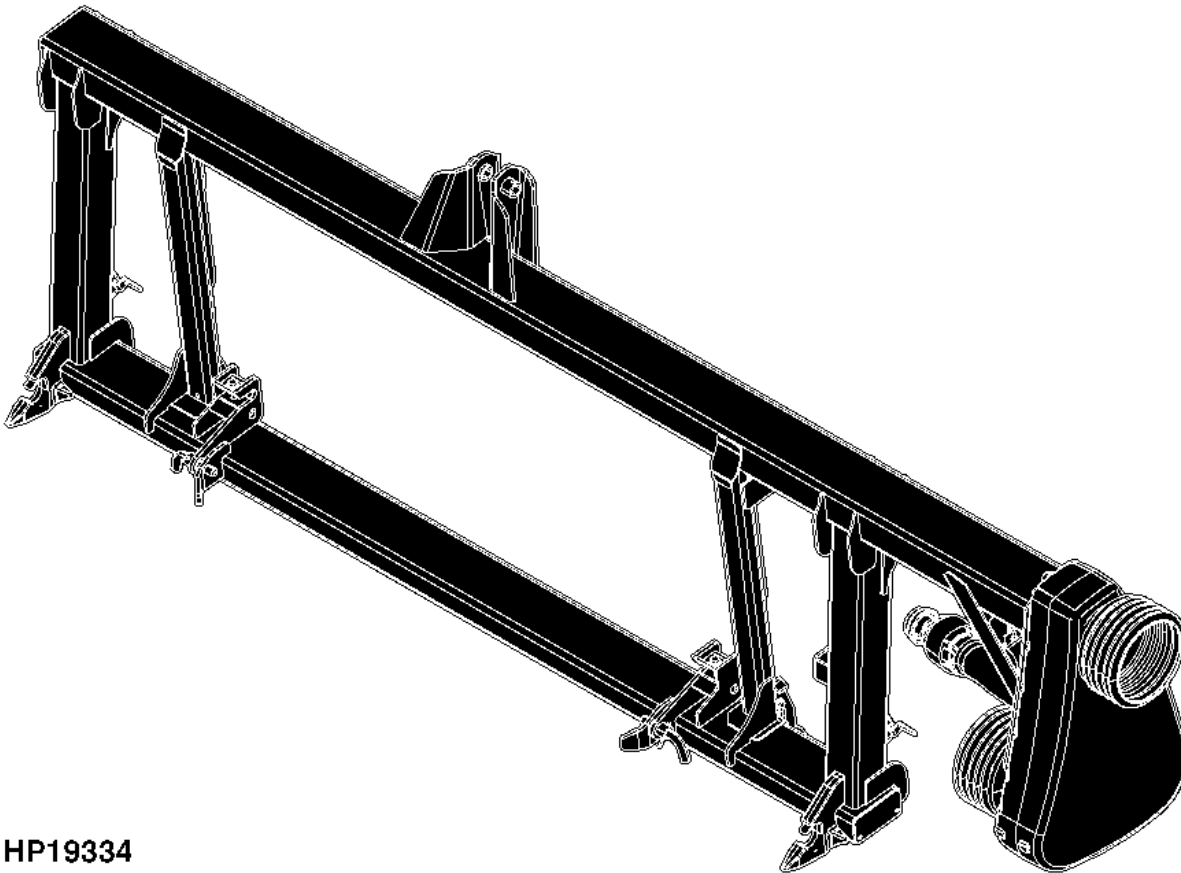


HP19333

Primary Pictorial Index  
Index d'illustrations principal  
Hauptbildindex  
Indice principale illustrato  
Índice primario de ilustraciones  
Huvudbildregister

HP19334 A.1

20



HP19334

**Thanks very much for your reading,  
Want to get more information,  
Please click here, Then get the complete  
manual**

**JustClickHere** 

**NOTE:**

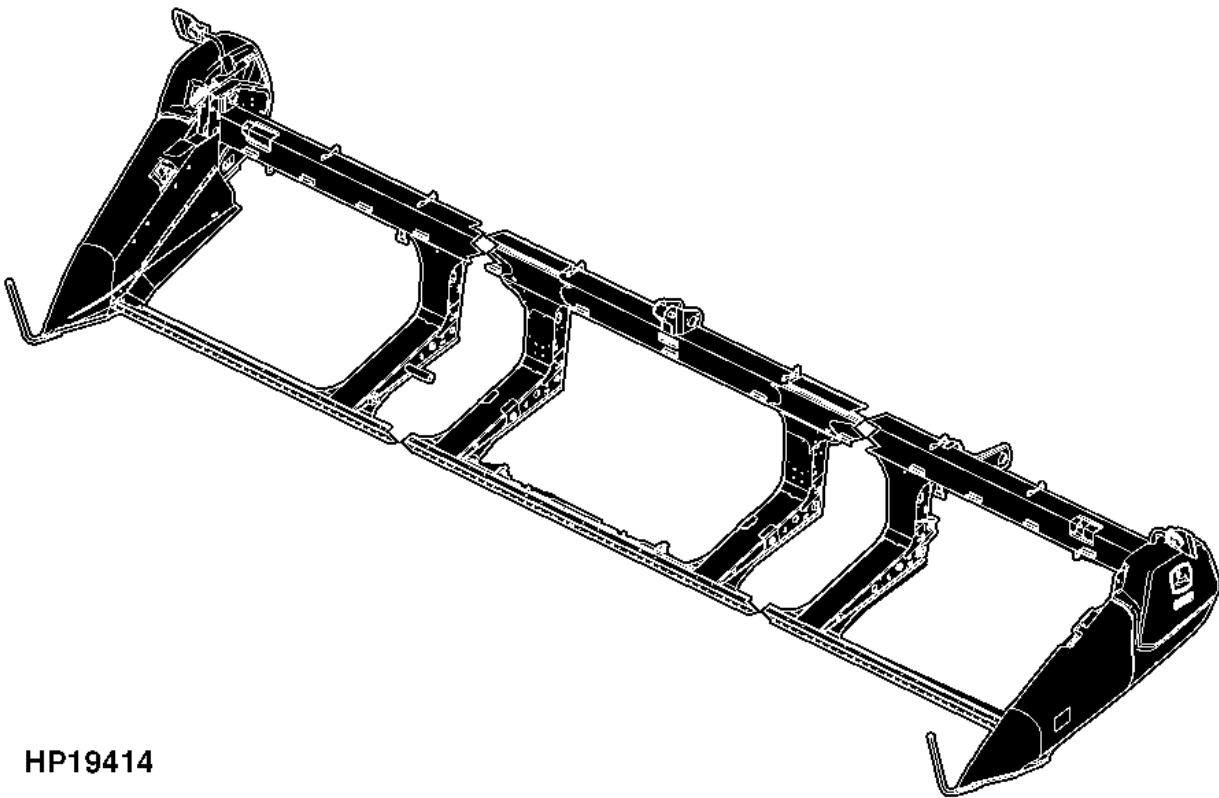
**If there is no response to click on the link above,  
please download the PDF document first, and then  
click on it.**

**Have any questions please write to me:  
[admin@servicemanualperfect.com](mailto:admin@servicemanualperfect.com)**

Primary Pictorial Index  
Index d'illustrations principal  
Hauptbildindex  
Indice principale illustrato  
Índice primario de ilustraciones  
Huvudbildregister

HP19414 A.1

30



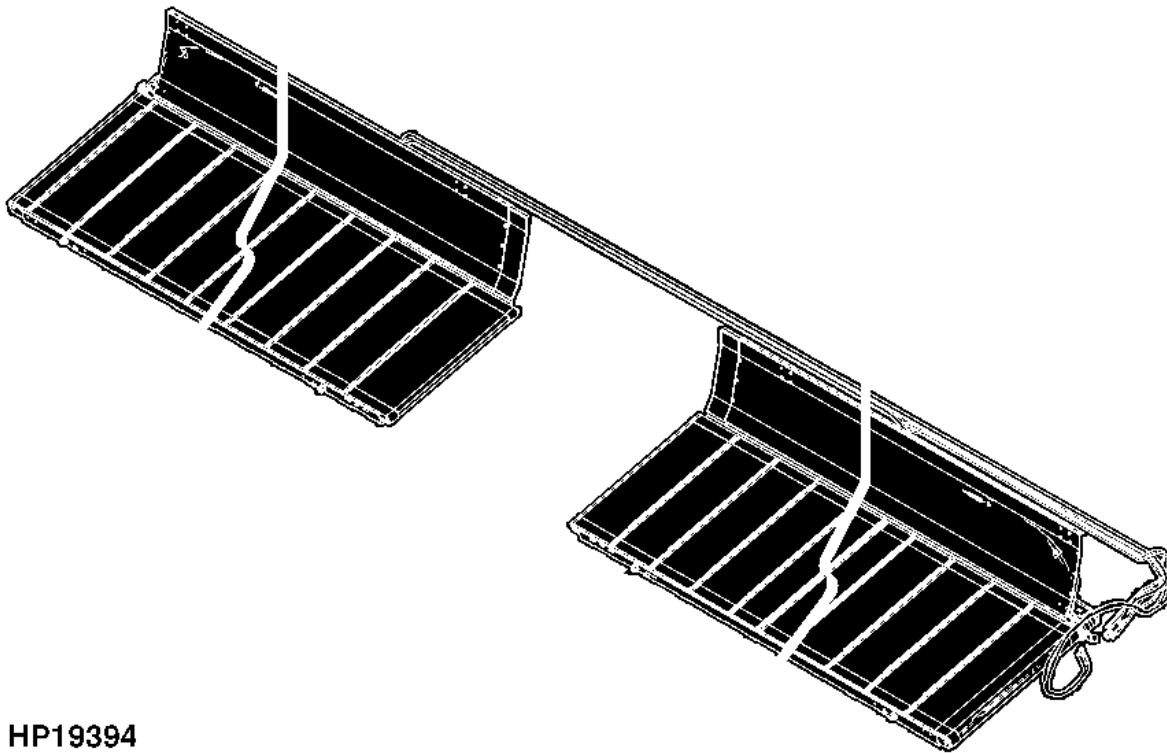
HP19414

Primary Pictorial Index  
Index d'illustrations principal  
Hauptbildindex  
Indice principale illustrato  
Índice primario de ilustraciones  
Huvudbildregister

40-	1
40-	2

HP19394 A.1

# 40



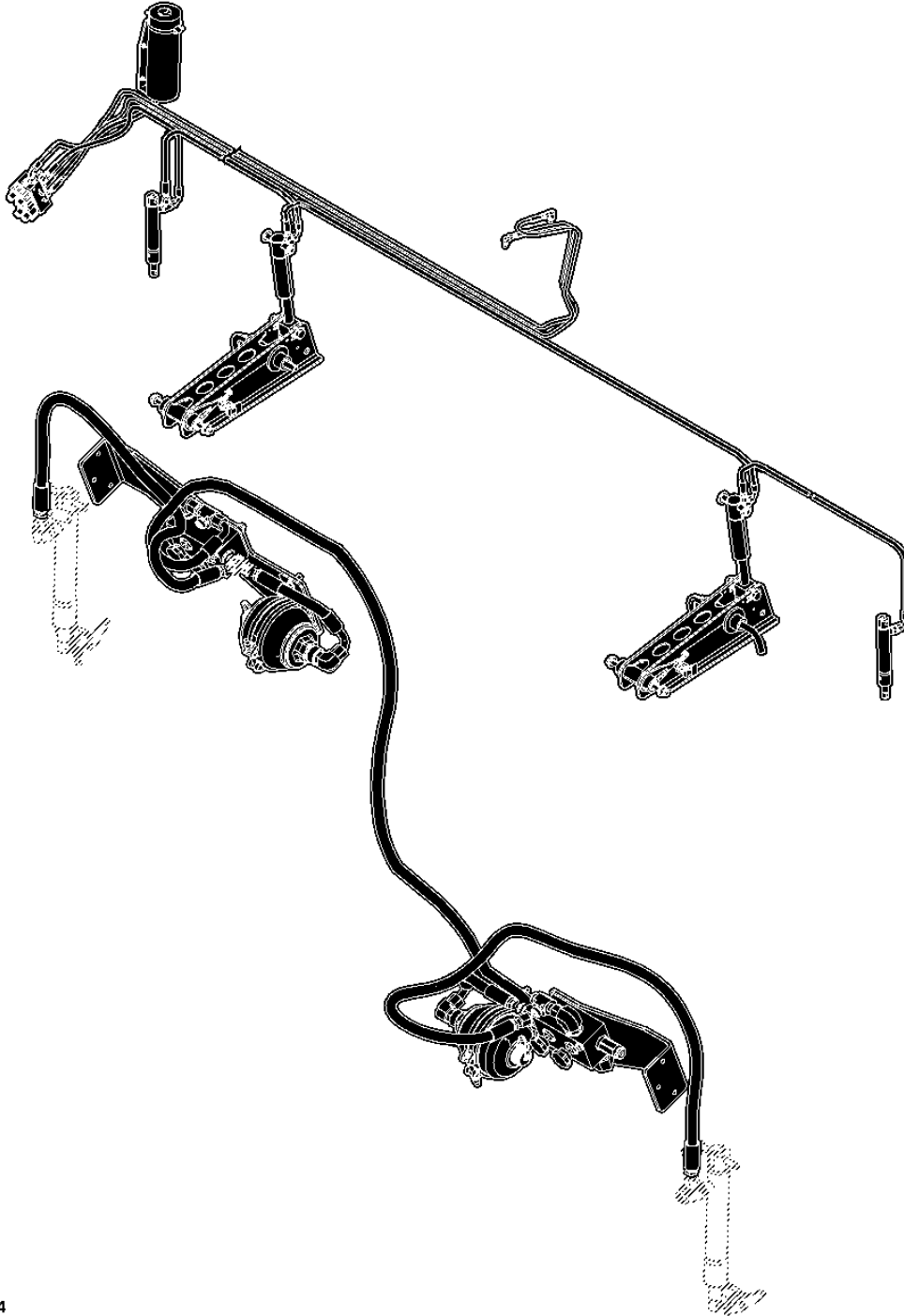
HP19394

Primary Pictorial Index  
Index d'illustrations principal  
Hauptbildindex  
Indice principale illustrato  
Índice primario de ilustraciones  
Huvudbildregister

HP21104 A.1

50-	1
50-	2

50



HP21104

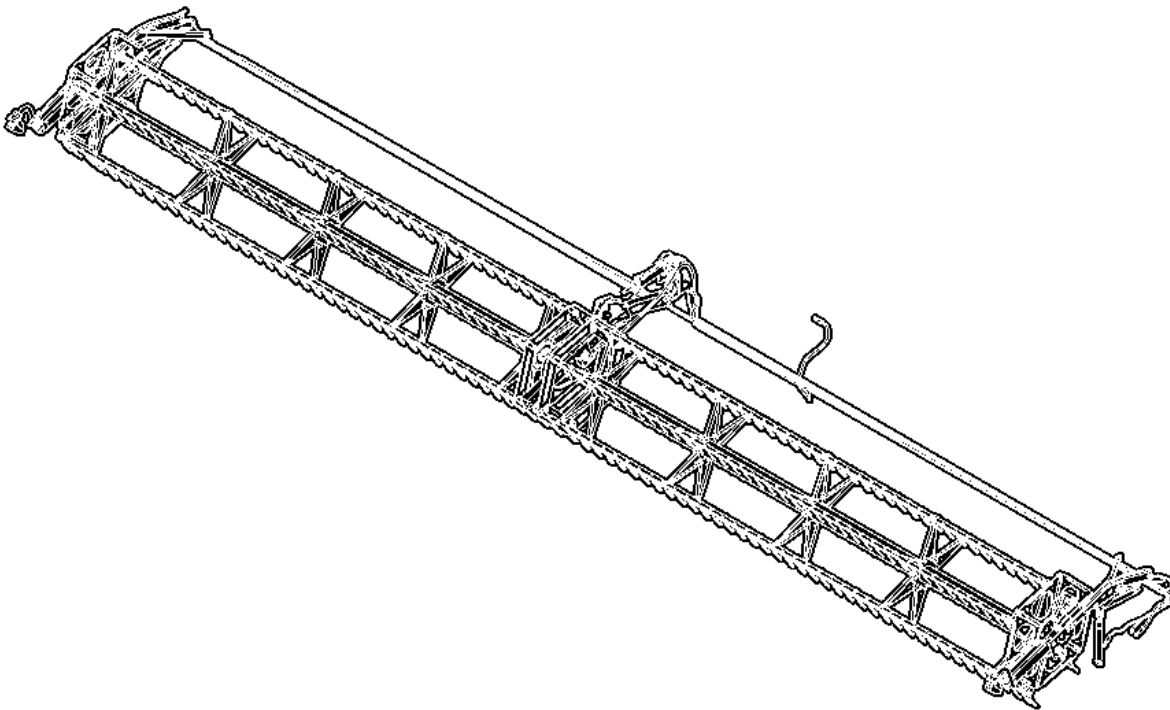


Primary Pictorial Index  
Index d'illustrations principal  
Hauptbildindex  
Indice principale illustrato  
Índice primario de ilustraciones  
Huvudbildregister

60-	1
60-	2
60-	3
60-	4
60-	5

HP19888 A.1

# 60

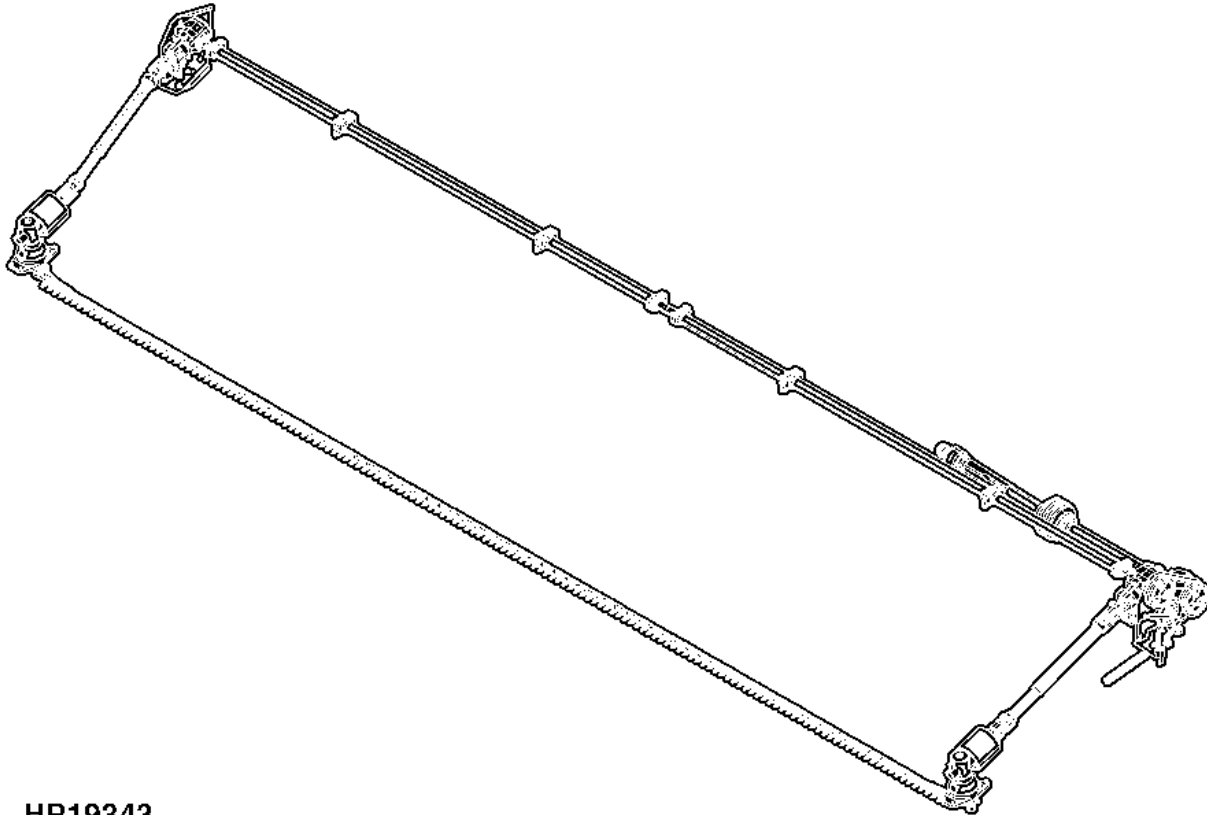


HP19888

Primary Pictorial Index  
Index d'illustrations principal  
Hauptbildindex  
Indice principale illustrato  
Índice primario de ilustraciones  
Huvudbildregister

HP19343 A.1

70



HP19343

Primary Pictorial Index  
 Index d'illustrations principal  
 Hauptbildindex  
 Indice principale illustrato  
 Índice primario de ilustraciones  
 Huvudbildregister

80-	1
80-	2

HP21521 A.1

80



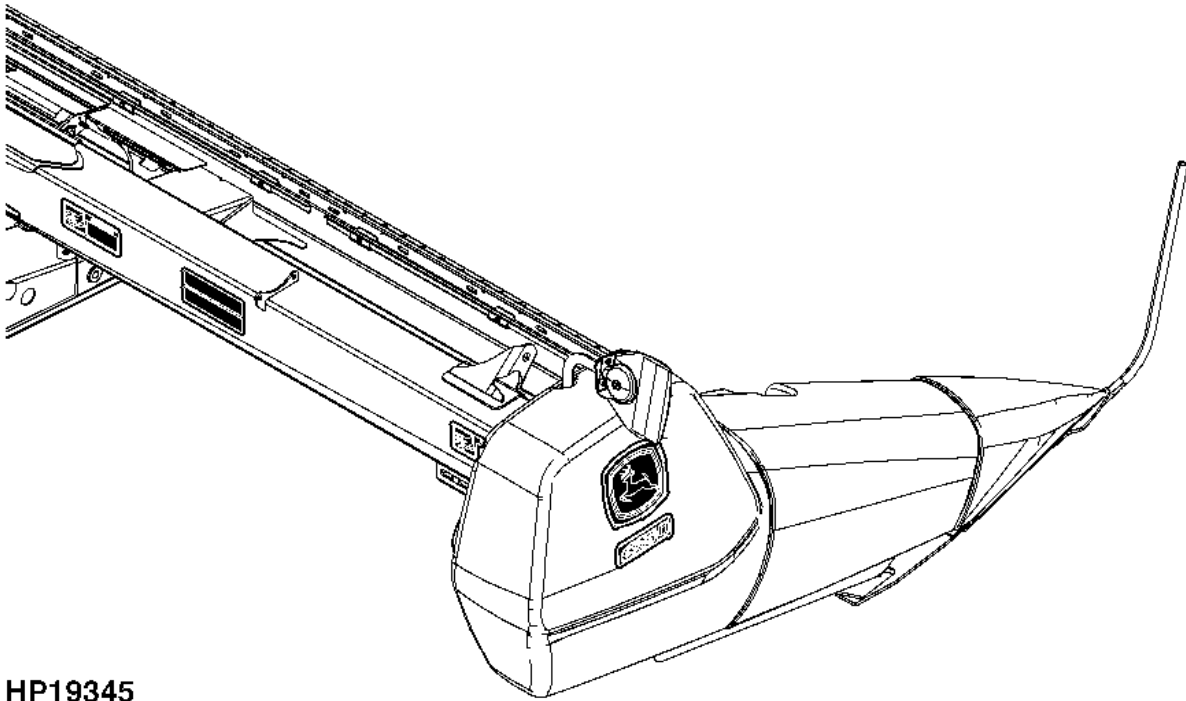
HP21521

Primary Pictorial Index  
Index d'illustrations principal  
Hauptbildindex  
Indice principale illustrato  
Índice primario de ilustraciones  
Huvudbildregister

90-	1
90-	2

HP19345 A.1

# 90



HP19345



## Introduction and Product Information

H90641 A.1



John Deere 640D Advanced Draper Platform

*(Specifications and design subject to change without notice)*

### To The Customer

The part numbers in this Parts Catalog were correct at the time of publication. Per John Deere policy, we continuously improve our products. Therefore, when ordering parts verify the part numbers with your dealer.

### SI Units of Measure

Metric dimensions are provided as applicable throughout this parts catalog.

### Bolt and Cap Screw Strength Identification

Bolts and cap screws required to have high-strength qualities equivalent to metric property class 10.9 (SAE grade 8) or higher are identified throughout this catalog by the description 10.9, 12.9 or 14.9. All standard bolts and cap screws are metric property class 8.8 (SAE grade 5) or lower.

### Serial Number Listing Information

Serial number information is listed to show on which machines each part can be used; for example:

- **The part can be used on all products.**
- 000000** -           **The part can be used on products beginning with the serial number listed.**
- **000000**       **The part can be used on products up to and including the serial number listed.**
- 000000** - **000000**   **The part can be used on products between and including the serial number listed.**

When XXXXXX's are listed in place of a serial number, a serial number change was made, but the exact serial number was not available at the time of publication.

### Illustrations

Illustrations in this catalog are only intended as a reference for dealers and customers. These illustrations do not necessarily represent the exact view of the parts.

### Box-Enclosed Illustrations

Box-enclosed keyed parts in the illustration are available as a service assembly or an attachment. These parts may also include parts not available for service. The illustrations may not show all individual parts of an attachment. A box not keyed includes non-current parts.

## Orientation Of Product

An arrow shown with an illustration is to indicate the direction of product forward travel. Right Hand (RH) and Left Hand (LH) sides are determined by product forward travel.

## John Deere Remanufactured Components

The REMAN parts listed in this catalog are intended for the repair or replacement of failed or worn original equipment components. John Deere Reman components are manufactured to stringent John Deere standards and produced to original John Deere specifications that incorporates the latest design and performance improvement updates.

## Ag and Turf Crop Harvester — Trademarks

AutoQuad™	JDLINK™	INFOTRAK™
AutoTrac™	John Deere™	DieselScan™
Bullet Rotor™	Load Command™	John Deere Break-In™
GreenStar™	Service ADVISOR™	Break-In™
Harvest Smart™	Spout-Trak™	Torq-Gard Supreme™
HarvestLab™	StarFire™	COOL-GARD™
HARVESTRAK™	STS™	CoolScan PLUS™
HillMaster™	SyncroPlus™	Harvest Monitor™
HydraFlex™	SyncShift™	GreenStar 2 System™
PowrReverser™	SyncShuttle™	IntelliGuard™
PowrSync™	SyncReverser™	DURA-MAX™
ProDrive™	TLS™ (Triple-Link Suspension)	Torq-Gard Supreme™
Roll-Gard™	Field Office™	Quik-Tatch™
ClimaTrak™	MIG™	Posi-Torq™
ComfortGard™	Nothing Runs Like a Deere™	Contour-Master™
CommandARM™	PowerGard™	DIAL-A-MATIC™
CommandCenter™	PowerTech™	DIAL-A-SPEED™
CommandTouch™	PowrQuad™	Funk™
Contour-Master™	IronGard™	iTorque™
CTS™	Oilscan™	Phoenix™
CoolScan™	PowerTech™	IVLOC™
Plus-50™	TMII™	IVT™
PowerTech Plus™	TMIII™	

### Ag and Turf Crop Harvester — Terms and Abbreviations

Phrase	Meaning	Phrase	Meaning
A/C	Air Conditioning	L	Number of Links to Chains
ALSO ORDER	Also Order	NLA	No Longer Available
APPL	This Application Only	NSEP	Not Supplied Separately
AR	As Required	OD	Outside Diameter
ASSY	Complete Assembly	OPTION	Option
BCU	Basic Control Unit	OPTIONAL	Optional
CNLA	Complete No Longer Available (Order Individual Parts)	OR	Or
CTL	Cut To Length	ORD	Order
ECU	Engine Control Unit	ORD W/	Order With
ETC	Electronic Temperature Control	OS	Oversize
FI	Field Installation Kit	PKG	Package of
FIP	Fuel Injection Pump	RATIO	Ratio
FOR	For	RCU	Reverser Control Unit
FRONT	Front	REAR	Rear
GSD	GreenStar™ Display	REMAN	Remanufactured
HTC	Heater Control Unit	RH	Right Hand
ID	Inside Diameter	STD	Standard
INCL	Includes	SUB	Replaced by
INCL KEYS	Including Keys	SUB FOR	Substitute for
JDL	JDLink™ Control Unit	TK	Thickness
KIT	Kit	UIC	User Interface Control Unit
LGTH	Length	UIM	User Interface Module
LH	Left Hand	UP	Upper
LOW	Lower	USE WITH	Use With
MARKED	Marked	W/	With
MF	Made From	W/O	Without
NA	Not Applicable	Z	Gear and Sprocket Teeth Number



---

**Table of Contents**

010 CENTER FEED SYSTEM .....	21
020 ATTACHMENT FRAME .....	35
030 MAINFRAME MODULE ASSEMBLY .....	49
040 DRAPER ASSEMBLIES .....	77
050 FLOAT SYSTEM .....	99
060 REELS .....	121
070 CUTTING SYSTEM .....	159
080 TRANSPORT AND GUAGE WHEEL SYSTEM .....	193
090 DECALS .....	223

## Alphabetical Index

	Page		Page
<b>A</b>			
ACCUMULATOR .....	116	DUAL KNIFE DRIVE GEARCASE AND SHAFT (L.H.) .....	164
ARM, REEL .....	136, 138	DUAL KNIFE DRIVE GEARCASE AND SHAFT (R.H.) .....	166
ARM, REEL PICKUP .....	128, 130	DUAL KNIFE DRIVE SHAFT (L.H.) .....	164
ATTACHMENT FRAME .....	36	DUAL KNIFE DRIVE SHAFT (R.H.) .....	166
ATTACHMENT FRAME DECALS .....	228	DUAL ZONE FLOAT KIT .....	118
AUGER, TOP CROP CONVEYING .....	68	DUEL KNIFE OVERLAP SECTION .....	184
<b>B</b>			
BACKSHAFT AND SHIELD .....	162	<b>E</b>	
BEARING, REEL ARM .....	128, 130	END KNIFE ASSEMBLY LH .....	183
BEARING, REEL ARM SPIDER .....	126	<b>F</b>	
BELT TENSIONER, DRAPER .....	82	FEED BELT .....	32
BELT, DRAPER .....	80	FEED BELT COVER .....	62
BELT, FEED .....	32	FEED BELT, FRAME, ROLLERS, AND TENSIONER .....	32
BELT, KNIFE DRIVE .....	160	FEED ROLLER .....	32
BRACKET .....	116, 200	FEED SECTION FILLER STRIP .....	64
Bracket Kit .....	74	FEED SYSTEM, CENTER, GEARCASE .....	22
BRACKET, MULTICOUPLER .....	96	FEED TENSIONER .....	32
BRACKET, SLOW MOVING SIGN .....	218	FILLER STRIP, FEED SECTION .....	64
<b>C</b>			
CENTER FEED AND KNIFE DRIVE GEARCASE .....	38	FILLER STRIPS .....	60
CENTER FEED BELT FRAME .....	30	FINGER REPAIR KIT .....	128, 130
CENTER FEED DECALS .....	226	FLOAT ARM .....	112, 118
CENTER FEED DRIVESHAFT .....	42	FLOAT ARM CYLINDER .....	110
CENTER FEED DRUM FINGERS .....	26	FLOAT ARM POSITION SENSOR .....	114
CENTER FEED DRUM FRAME .....	28	FLOAT CYLINDER .....	108
CENTER FEED DRUM HOUSING .....	24	FLOAT SYSTEM HYDRAULICS .....	102
CENTER FEED SYSTEM GEARCASE .....	22	FLOW CONTROL HYDRAULIC VALVE .....	68
CENTER REEL ARM .....	138	FRAME DECALS .....	230
CENTER SHAFT, REEL PICKUP .....	128, 130	FRAME, ATTACHMENT .....	36
COLLAR, LOCKING KIT .....	44	FRAME, CENTER FEED BELT .....	30
COVER, FEED BELT .....	62	FRAME, CENTER FEED DRUM .....	28
CROP LIFTER (LONG POINT RIGID GUARDS) .....	189	FRAME, DRAPER .....	84
CUTTERBAR COMPLETE KNIFE SECTIONS - REFERENCE .....	192	FRAME, MAIN .....	50
CUTTERBAR GEARCASE .....	186	FRAME, QUICK TACH .....	70, 72
CUTTERBAR HEAD SECTION .....	180	FRONT TRANSPORT WHEEL ASSEMBLY .....	204
CUTTERBAR MIDDLE SECTIONS .....	182	<b>G</b>	
CYLINDER, FLOAT .....	108	GAUGE WHEEL .....	196
CYLINDER, FLOAT ARM .....	110	GAUGE WHEEL CONTROL CYLINDER .....	110
CYLINDER, REEL LIFT (MASTER) .....	146	GAUGE WHEEL POSITION SENSOR .....	215
CYLINDER, REEL LIFT (SLAVE) .....	148	GEAR CASE .....	176
CYLINDER, TILT .....	106	Gear Case Drive Pump .....	176
CYLINDERS, REEL LIFT .....	144	Gear Case, Gear Case Drive Pump .....	176
<b>D</b>			
DECALS, ATTACHMENT FRAME .....	228	GEAR, REEL .....	132
DECALS, CENTER FEED .....	226	GEARCASE SHIELD AND WARNING LIGHT .....	56
DECALS, DRAPER .....	232	GEARCASE, CENTER FEED .....	38
DECALS, FRAME .....	230	GEARCASE, CENTER FEED SYSTEM .....	22
DECALS, REEL .....	234	GEARCASE, CUTTERBAR .....	186
Deck Swap Hoses, Side Draper .....	154	GEARCASE, DRIVE .....	174
DIVIDER POINT .....	52	GEARCASE, KNIFE DRIVE .....	38, 172
DRAPER BELT .....	80	GROMMET .....	116
DRAPER BELT TENSIONER .....	82	GUAGE WHEEL .....	196
DRAPER DECALS .....	232	<b>H</b>	
DRAPER FRAME AND DRIVE ROLLER .....	84	HARNESS, MAIN WIRING .....	156
DRAPER HITCH EXTENSION-RUSSIA ONLY .....	200	Harness, Wiring, Speed Sensor Extension .....	158
DRAPER PANELS .....	86	HEAD SECTION, CUTTERBAR .....	180
DRAPER SHIELDS .....	58	HITCH, TRANSPORT .....	198, 200
DRAPER TILT CYLINDER .....	106	HOLDDOWN, DUAL CUTTERBAR (COARSE) .....	190
DRIVE GEARCASE .....	174	HOSE, HYDRAULIC .....	116
DRIVE VALVE BLOCK .....	92, 94	HOSES, HYDRAULIC MOTOR .....	88
DRIVE, REEL .....	132	HOSES, REEL LIFT .....	140, 144
DRIVESHAFT, CENTER FEED .....	42	HOSES, REEL LIFT AND FORE/AFT .....	142
DRIVESHAFT, KNIFE DRIVE .....	46	Hoses, Side Draper Deck Swap .....	154
DRIVESHAFT, L.H. KNIFE .....	168	HYDRAULIC HOSE .....	116
DRIVESHAFT, R.H. KNIFE .....	170	HYDRAULIC MOTOR .....	68
DRIVESHAFT, UNIVERSAL .....	40	HYDRAULIC MOTOR AND HOSES .....	88
DRUM FINGERS, CENTER FEED .....	26	HYDRAULIC VALVE .....	116
DRUM HOUSING, CENTER FEED .....	24	HYDRAULIC VALVE BLOCK AND HOSES .....	90
DUAL CUTTERBAR HOLDDOWN (COARSE) .....	190	<b>J</b>	
DUAL CUTTERBAR KNIFE GUARDS AND HOLDDOWN .....	190	JACK STAND WELDMENT .....	70, 72
DUAL KNIFE .....	178		

## Alphabetical Index - Continued

	Page		Page
JOINT KIT FOR SECTIONALIZED KNIVES .....	188	REEL L.H. MOUNTING .....	134
JOINT KIT, KNIVES .....	188	REEL LIFT AND FORE/AFT HOSES .....	142
JOINT LOCKING COLLAR KIT .....	44	REEL LIFT CYLINDER (MASTER) .....	146, 148
		REEL LIFT CYLINDER (SLAVE) .....	146, 148
K		REEL LIFT HOSES AND CYLINDERS .....	144
KIT, PLASTIC FINGER REPAIR .....	128, 130	REEL MOUNTINGS (L.H. ILLUSTRATED) .....	134
KIT, LOCKING COLLAR .....	44	REEL PICKUP .....	128, 130
KNIFE ASSEMBLY .....	183	REEL POSITION .....	150
KNIFE ASSEMBLY, END LH .....	183	REEL POSITION AND SPEED SENSOR .....	150
KNIFE DRIVE BELT AND TENSIONER .....	160	REEL, L.H. MOUNTING .....	134
KNIFE DRIVE DRIVESHAFT .....	46	REFERENCE, CUTTERBAR COMPLETE KNIFE SECTIONS .....	192
KNIFE DRIVE GEARCASE .....	172	RIGHT REAR TRANSPORT WHEEL ASSEMBLY .....	208
KNIFE DRIVE SHIELD .....	54	ROLLER, DRIVE .....	84
KNIFE HEAD SECTION .....	180	ROLLER, FEED .....	32
KNIFE JOINT KIT .....	188		
KNIFE SECTIONS .....	188	S	
KNIFE SECTIONS, CUTTERBAR, COMPLETE - REFERENCE .....	192	SECTION, OVERLAP, DUEL KNIFE .....	184
KNIFE, DUAL .....	178	SECTIONS, KNIFE .....	188
		SECTIONS, MIDDLE, CUTTERBAR .....	182
L		SENSOR, FLOAT ARM POSITION .....	114
L.H. KNIFE DRIVESHAFT .....	168	SENSOR, GAUGE WHEEL POSITION .....	215
L.H. REEL MOUNTING .....	134	SHAFT, DUAL KNIFE DRIVE (L.H.) .....	164
LATCH .....	200	SHAFT, DUAL KNIFE DRIVE (R.H.) .....	166
LEFT REAR TRANSPORT WHEEL ASSEMBLY .....	206	SHAFT, REEL PICKUP .....	128, 130
LIFTER, CROP (LONG POINT RIGID GUARDS) .....	189	SHIELD, BACKSHAFT .....	162
LIGHT, WARNING .....	56	SHIELD, DRAPER .....	58
LOCKING COLLAR KIT .....	44	SHIELD, GEARCASE .....	56
		SHIELD, KNIFE DRIVE .....	54
M		SHIELD, REEL PICKUP SPIDER .....	126
MAIN DRIVE DRIVESHAFT .....	46	Side Draper Deck Swap Hoses .....	154
MAIN FRAME .....	50	SIDE DRAPER FRONT RAILS AND SEALS .....	60
MAIN WIRING HARNESS .....	156	SIDE DRAPER HYDRAULIC DRIVE SYSTEM .....	88
MIDDLE SECTIONS, CUTTERBAR .....	182	SKID PLATES .....	66
MOTOR, HYDRAULIC .....	68	SLEEVE .....	200
MOUNTING BRACKET, TRANSPORT .....	216	SLOPE FLOAT HYDRAULIC ACCUMULATOR .....	116
MOUNTING, REEL, L.H. .....	134	SLOW MOVING SIGN BRACKET .....	218
MULTICOUPLER AND STORAGE BRACKET .....	96	SPEED SENSOR .....	150
		Speed Sensor Extension Wiring Harness .....	158
O		SPIDER, REEL PICKUP .....	126
OVERLAP SECTION, DUEL KNIFE .....	184	SPRING LOCKING PIN .....	70, 72
		STAND JACK, WELDMENT .....	70, 72
P		STORAGE BRACKET, MULTICOUPLER .....	96
PANELS, DRAPER .....	86	STORAGE BRACKETS, TRANSPORT .....	220
PICKUP REEL .....	128, 130	STRIPS, FILLER .....	60
PICKUP REEL ECCENTRIC SPIDER .....	126		
PIN, QUICK LOCK .....	200	T	
PIN, SPRING LOCKING .....	70, 72	TENSIONER, FEED .....	32
PIN, TILT CYLINDER .....	70, 72	TENSIONER, KNIFE DRIVE .....	160
PLATES, SKID .....	66	TONGUE .....	200
POINT, DIVIDER .....	52	TOP CROP CONVEYING AUGER .....	68
POSITIONING TOOL ASSY, CENTER .....	70, 72	TRANSPORT HITCH .....	198
		TRANSPORT MOUNTING BRACKET .....	216
Q		TRANSPORT STORAGE BRACKETS .....	220
QUICK LINK AND PARK .....	70, 72	TRANSPORT TONGUE EXTENSION WIRING HARNESS .....	202
QUICK LOCK PIN .....	200	TRANSPORT TONGUE EXTENSION, WIRING HARNESS .....	202
QUICK TACH FRAME .....	70, 72	TRANSPORT WARNING LIGHTS .....	210
		TRANSPORT WHEEL ASSEMBLY (FRONT) .....	204
R		TRANSPORT WHEEL ASSEMBLY (LEFT REAR) .....	206
R.H. KNIFE DRIVESHAFT .....	170	TRANSPORT WHEEL ASSEMBLY (RIGHT REAR) .....	208
R.H. MOUNTING, REEL .....	132	TRANSPORT WIRING HARNESS .....	212
Raised Side Draper .....	74	TUBES, REEL DRIVE OIL .....	140
Raised Side Draper Bracket Kit .....	74		
REEL ARM .....	136, 138	U	
REEL DECALS .....	234	UNIVERSAL DRIVESHAFT .....	40
REEL DRIVE MOTOR, TUBES AND HOSES .....	140	UNIVERSAL JOINT LOCKING COLLAR KIT .....	44
REEL DRIVE VALVE BLOCK .....	104		
REEL DRIVE, CENTER MOUNTINGS AND GEARS .....	132	V	
REEL DRIVE, R.H. MOUNTINGS AND GEARS .....	132	VALVE BLOCK, DRIVE .....	92, 94
REEL HEIGHT SENSOR .....	152	VALVE BLOCK, HYDRAULIC .....	90
		VALVE BLOCK, REEL DRIVE .....	104
		VALVE, FLOW CONTROL HYDRAULIC .....	68
		VALVE, HYDRAULIC .....	116

## Alphabetical Index - Continued

	<i>Page</i>	<i>Page</i>
W		
WARNING LIGHT ADAPTER HARNESS .....	214	
WARNING LIGHTS, TRANSPORT .....	210	
WHEEL .....	195	
WHEEL ASSEMBLY, TRANSPORT (FRONT) .....	204	
WHEEL ASSEMBLY, TRANSPORT (LEFT REAR) .....	206	
WHEEL ASSEMBLY, TRANSPORT (RIGHT REAR) .....	208	
WHEEL, GUAGE .....	196	
wiring Harness, Speed Sensor Extension .....	158	
WIRING HARNESS, TRANSPORT .....	212	
WIRING HARNESS, TRANSPORT TONGUE EXTENSION .....	202	