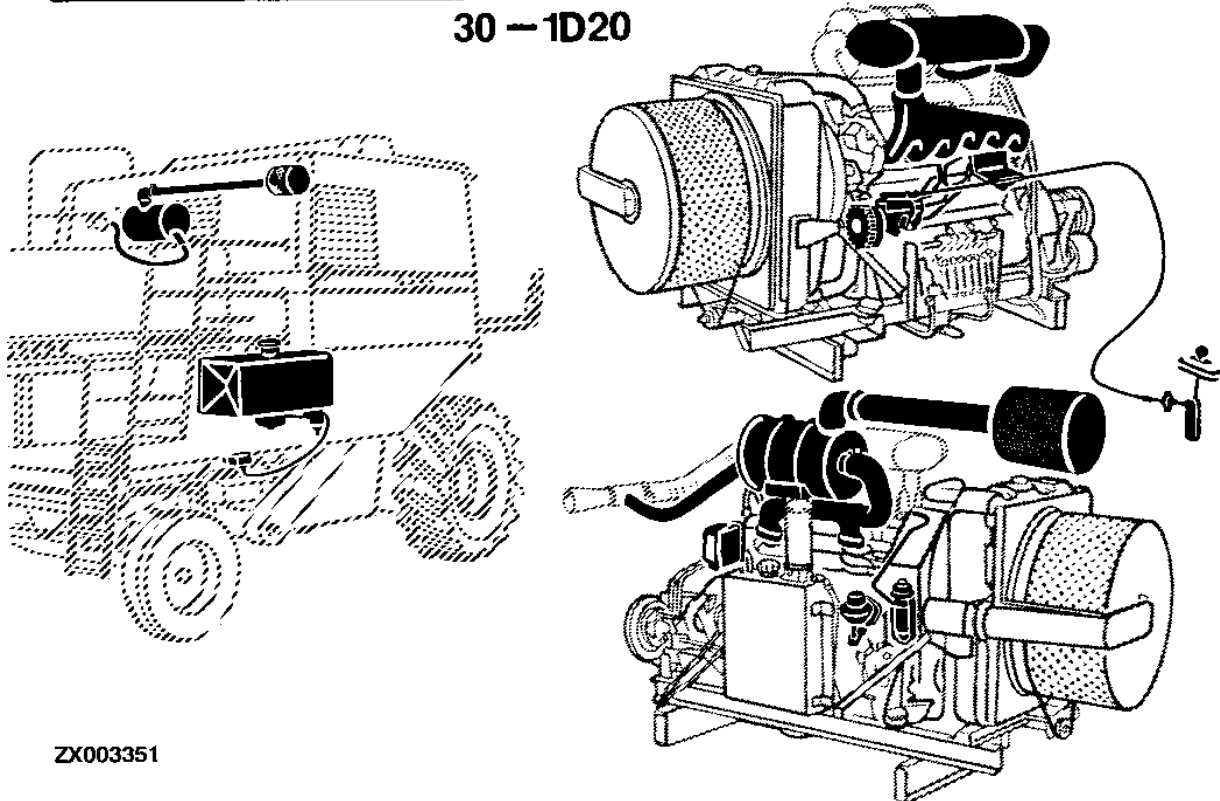
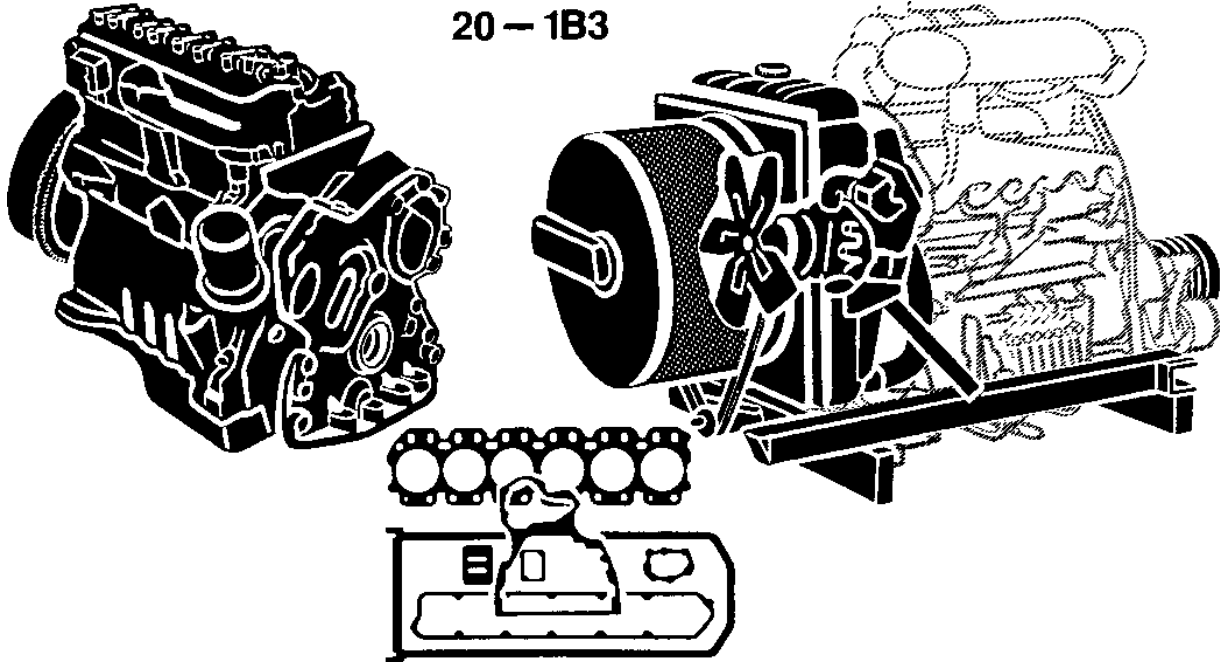


# 1A2

4435 AND 4435 HYDRO COMBINES

## PRIMARY PICTORIAL INDEX

ZX003351 -UN-01JAN94



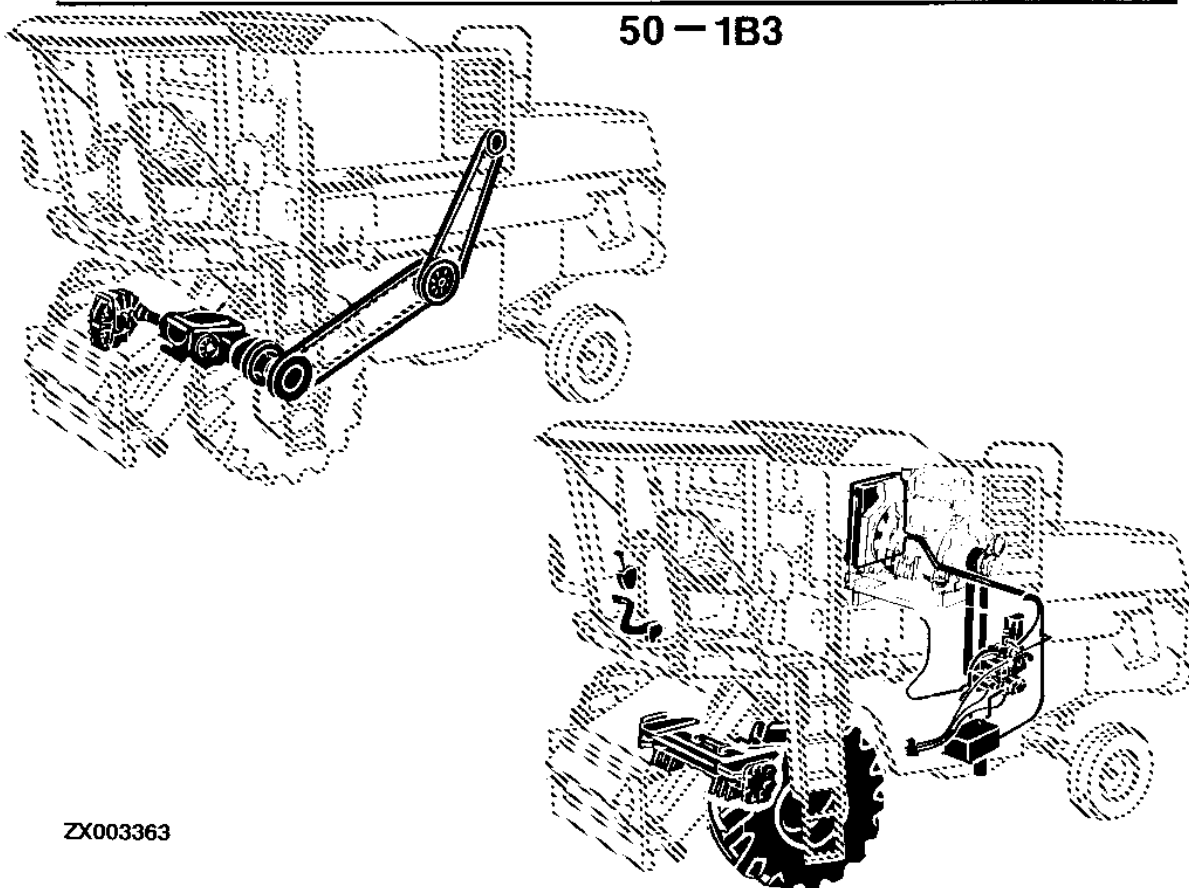
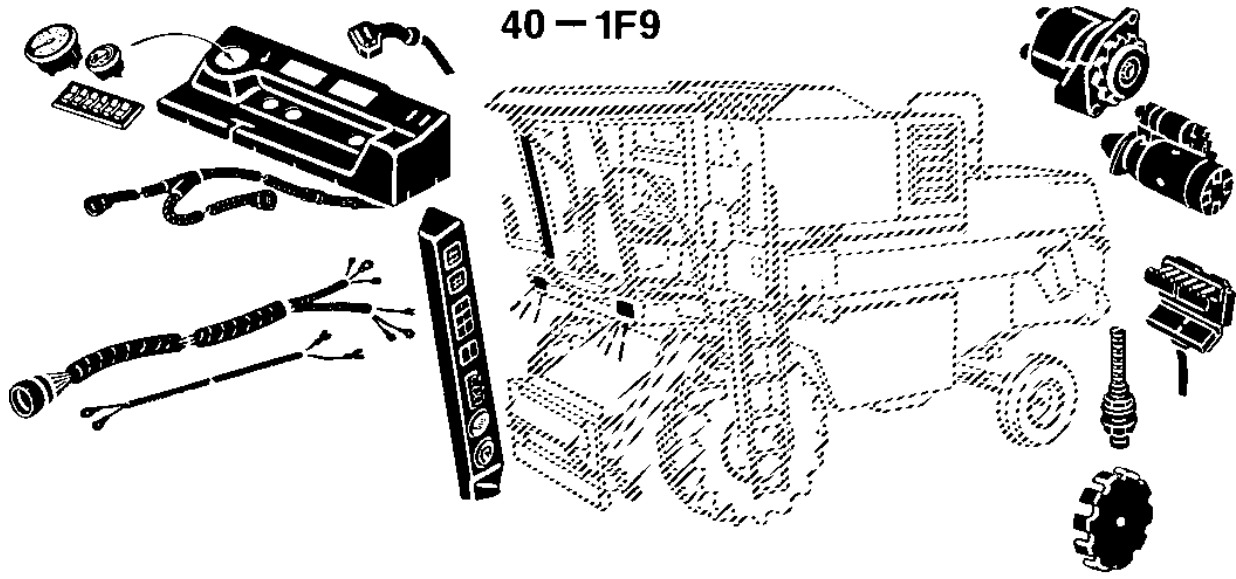
ZX003351

# 1A3

4435 AND 4435 HYDRO COMBINES

## PRIMARY PICTORIAL INDEX

ZX003363 -UN-01JAN94



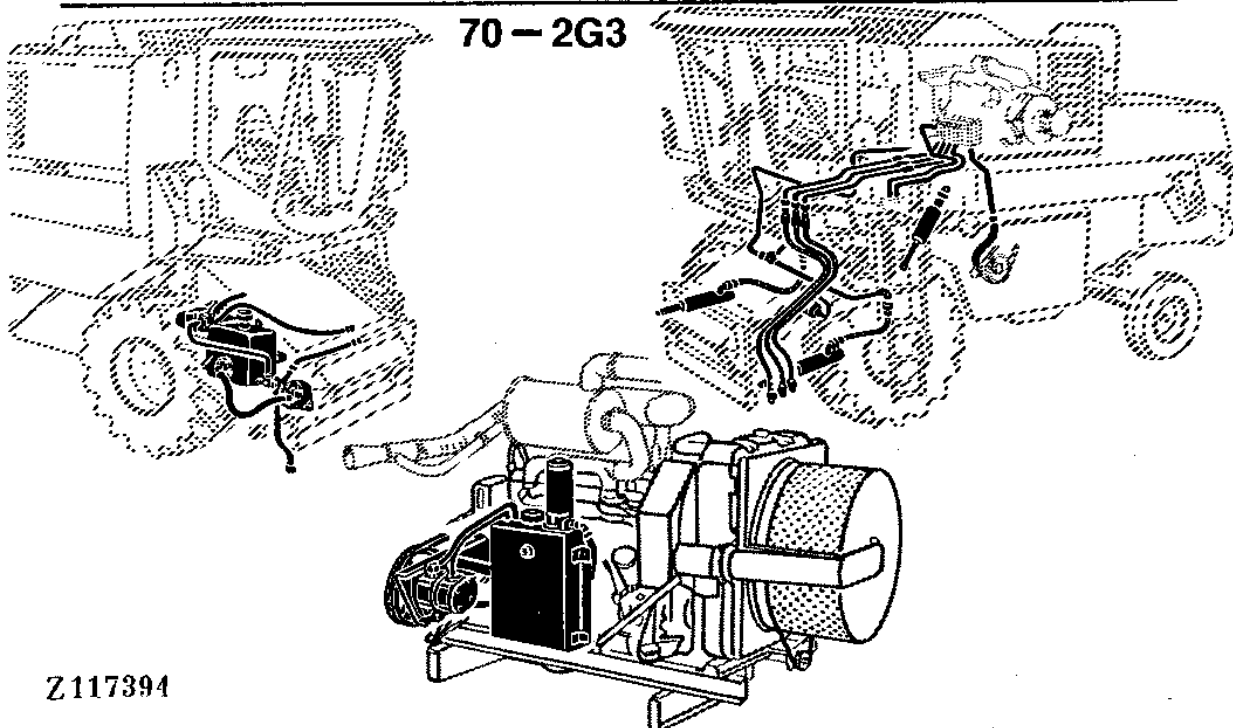
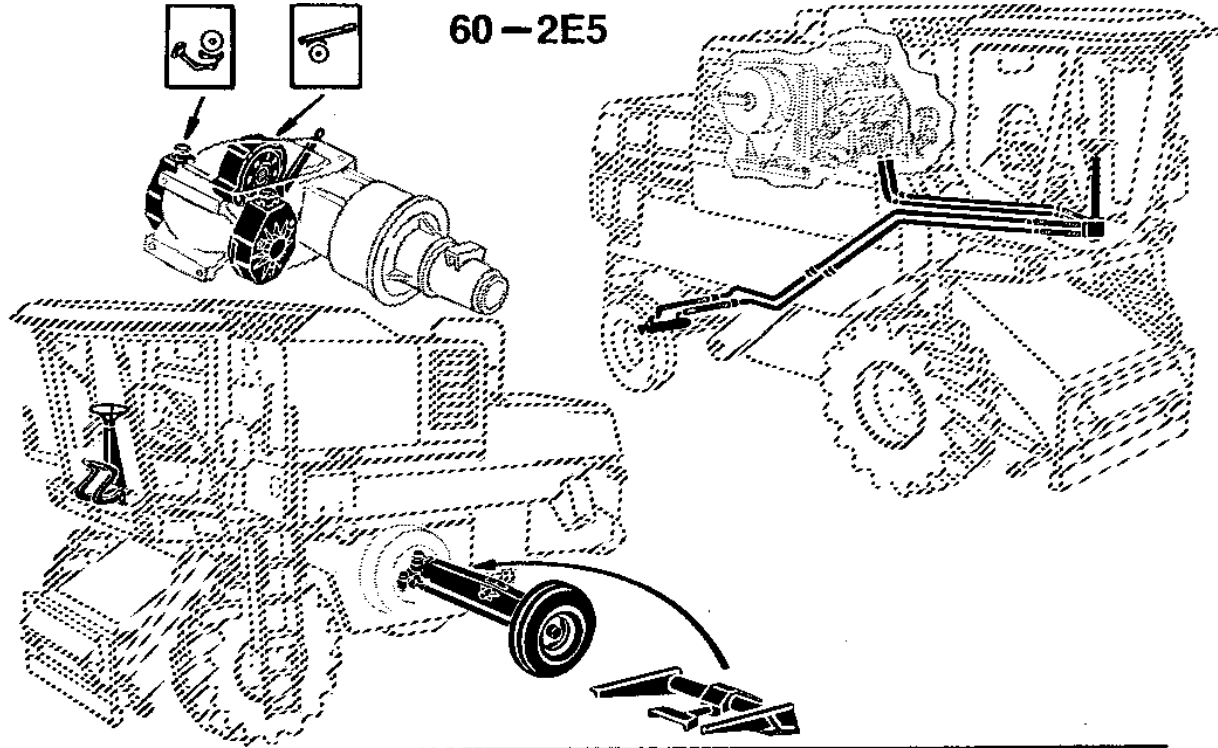
ZX003363

# 1A4

4435 AND 4435 HYDRO COMBINES

## PRIMARY PICTORIAL INDEX

Z117394 -UN-01JAN94



Z117394

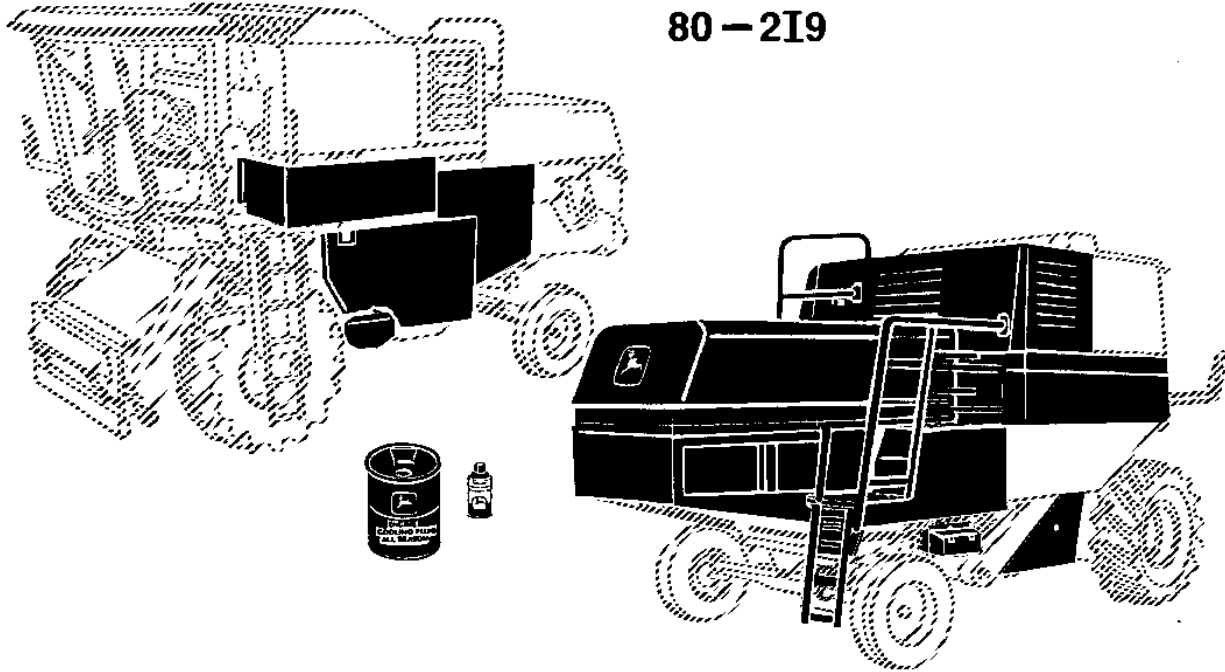
# 1A5

4435 AND 4435 HYDRO COMBINES

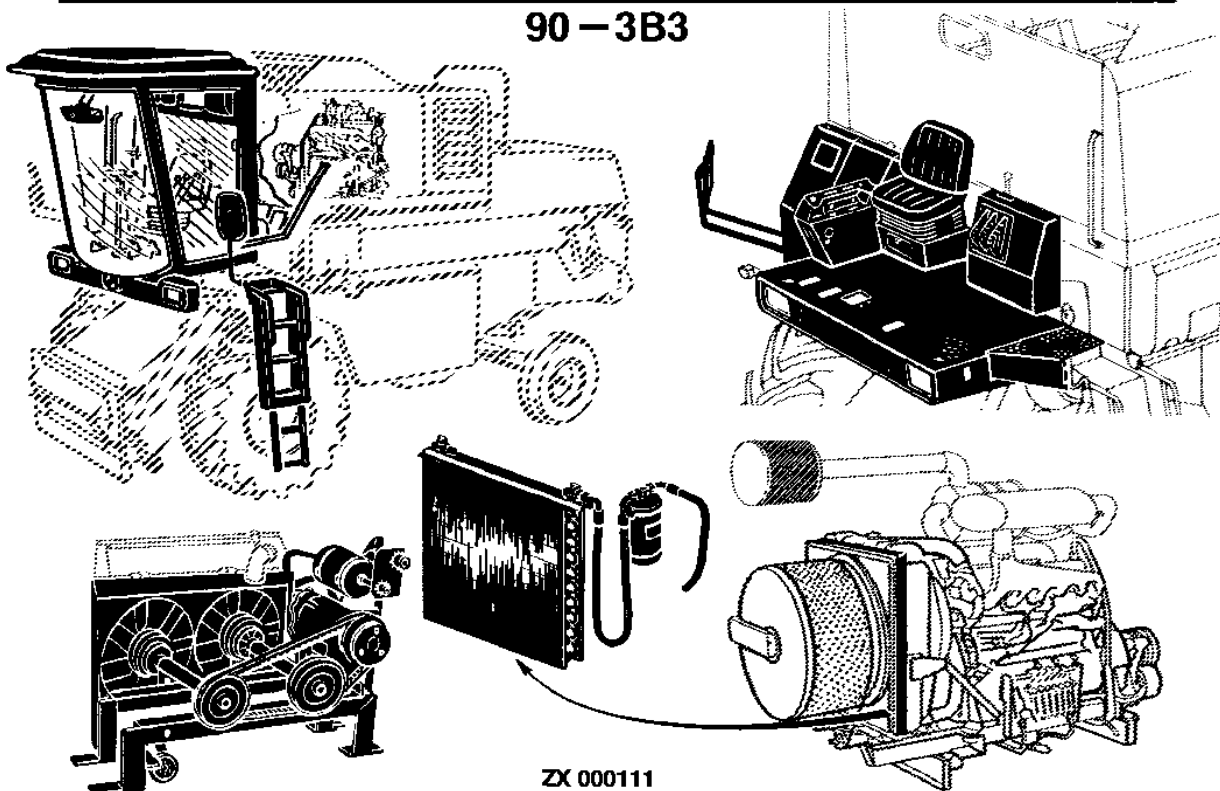
## PRIMARY PICTORIAL INDEX

ZX000111 -UN-02AUG96

### 80-2I9



### 90-3B3



**Thanks very much for your reading,  
Want to get more information,  
Please click here, Then get the complete  
manual**

**JustClickHere** 

**NOTE:**

**If there is no response to click on the link above,  
please download the PDF document first, and then  
click on it.**

**Have any questions please write to me:  
[admin@servicemanualperfect.com](mailto:admin@servicemanualperfect.com)**

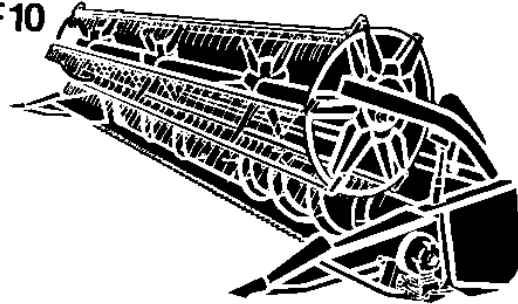
# 1A6

4435 AND 4435 HYDRO COMBINES

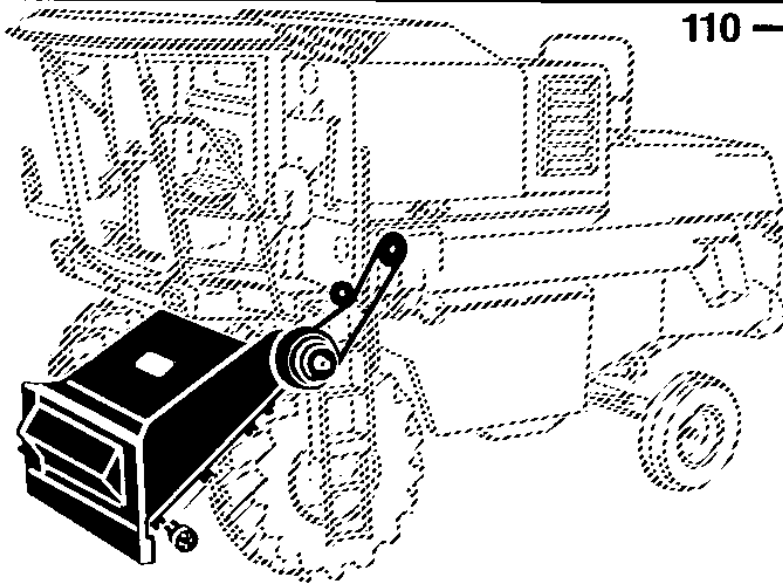
## PRIMARY PICTORIAL INDEX

ZX003364 -UN-01JAN94

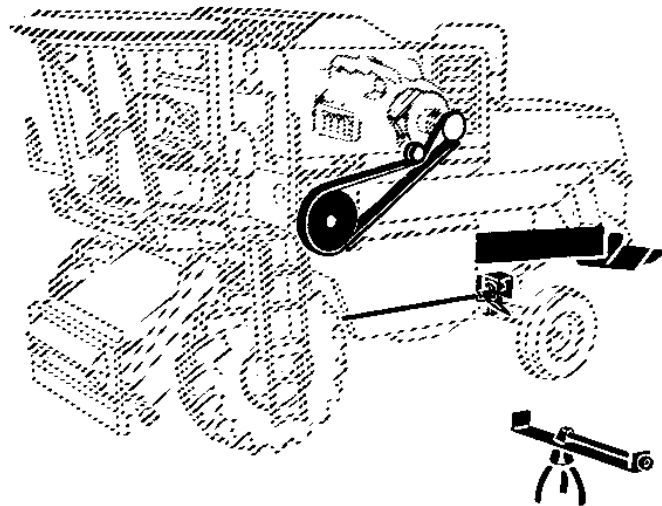
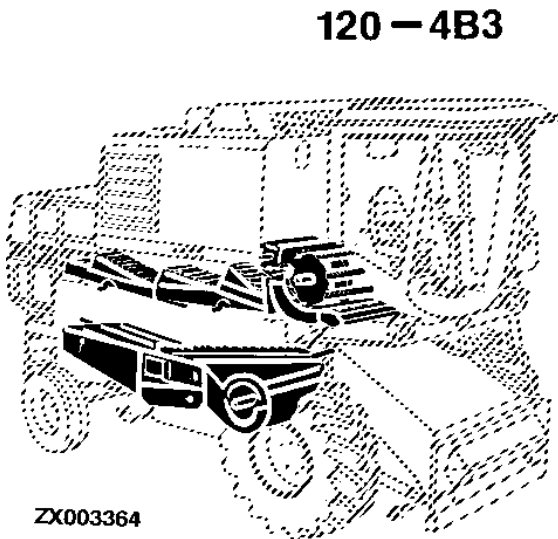
100 - 3F10



110 - 3F12



120 - 4B3



ZX003364

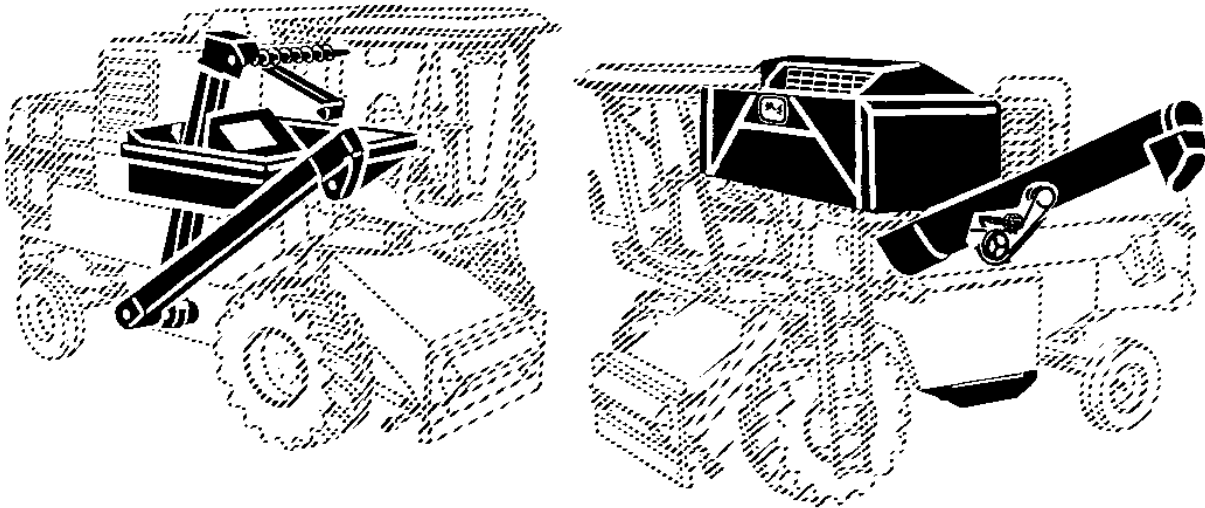
# 1A7

4435 AND 4435 HYDRO COMBINES

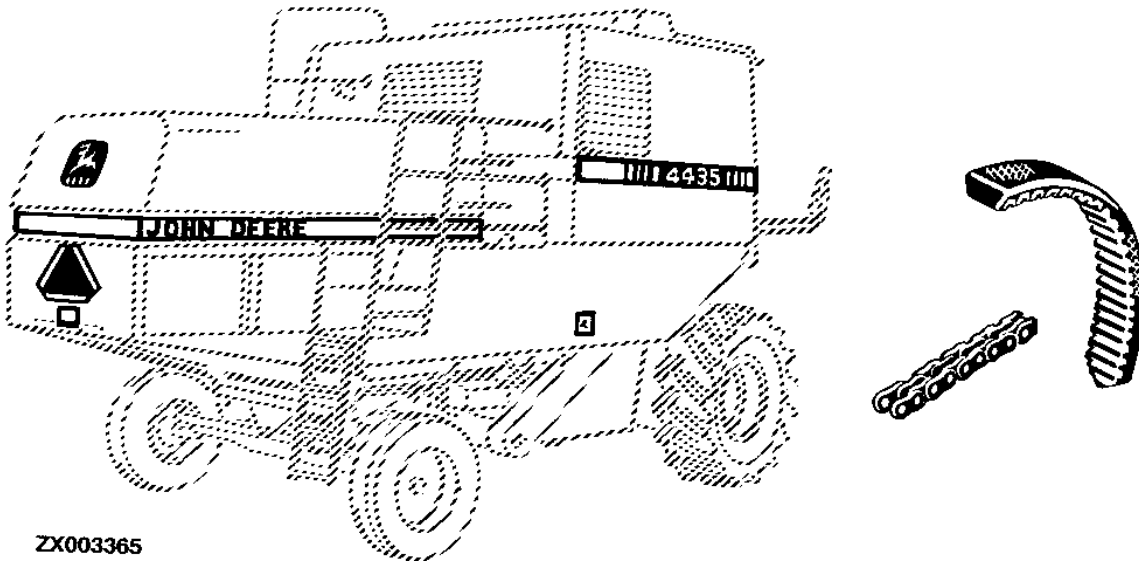
## PRIMARY PICTORIAL INDEX

ZX003365 -UN-02FEB94

### 130 - 4F21



### 150 - 4I17

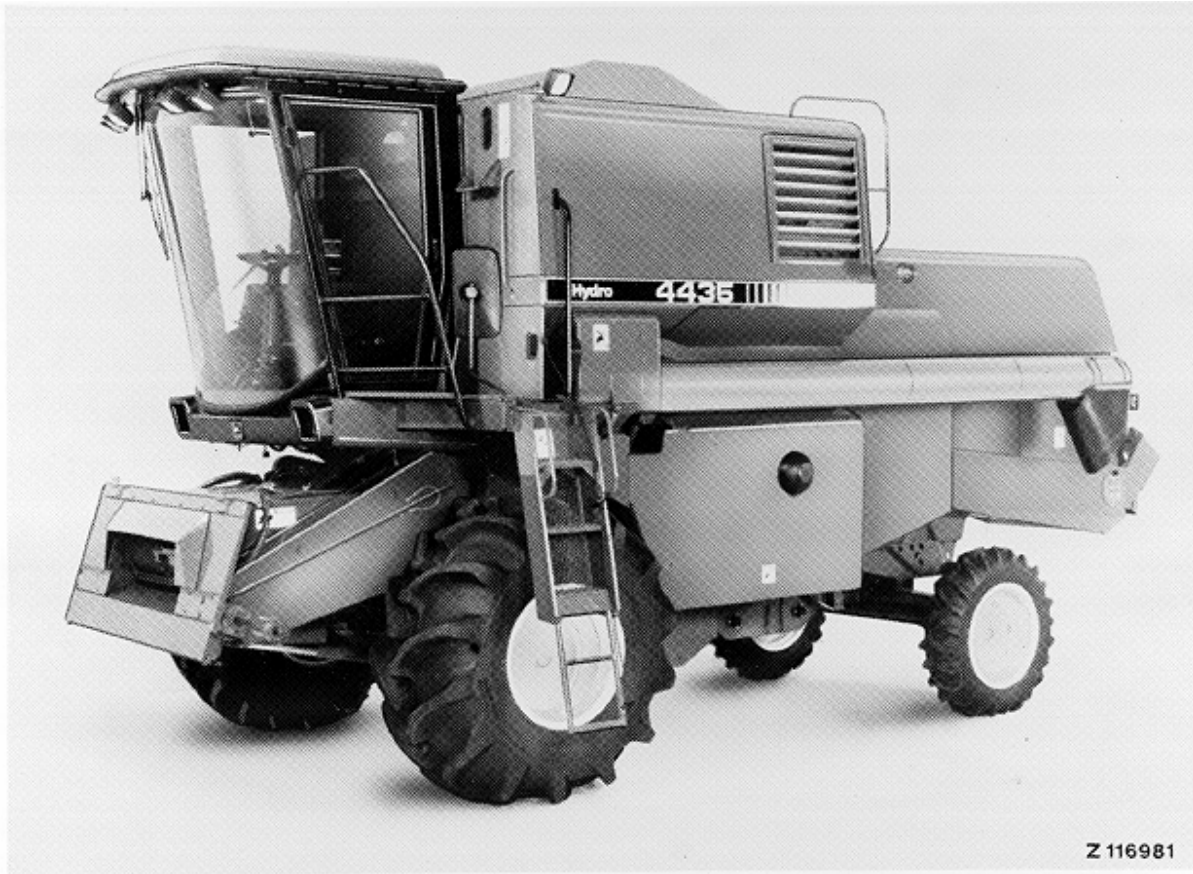


ZX003365

# 1A8

4435 AND 4435 HYDRO COMBINES

Z116981 -UN-01JAN94



*JOHN DEERE 4435 HYDRO COMBINE*

*(SPECIFICATIONS AND DESIGN SUBJECT TO CHANGE WITHOUT NOTICE)*



# 1A9

4435 AND 4435 HYDRO COMBINES

---

## NOTE

FOR 900 SERIES PLATFORM PARTS INFORMATION, REFER TO JOHN DEERE 900 SERIES PLATFORM PARTS CATALOG - PC-2104.

FOR 40 SERIES CORN HEAD PARTS INFORMATION, REFER TO JOHN DEERE 40 SERIES CORN HEAD PARTS CATALOG - PC-1223.

FOR 50A SERIES ROW-CROP HEAD PARTS INFORMATION, REFER TO JOHN DEERE 50A SERIES ROW-CROP HEAD PARTS CATALOG - PC-1747.

FOR 912 THREE-ROLLER BELT PICKUP PARTS INFORMATION, REFER TO JOHN DEERE THREE-ROLLER BELT PICKUP PARTS CATALOG - PC-2210.

## IMPORTANT

THIS PARTS CATALOG CONTAINS PARTS INFORMATION FOR THE 4435 AND 4435 HYDRO COMBINES. VINTAGE IS DETERMINED BY THE COMBINE SERIAL NUMBER OR THE PRODUCT IDENTIFICATION NUMBER (PIN). IT IS IMPORTANT THAT THE CORRECT NUMBERS BE USED WHEN ORDERING PARTS.

# 1A10

4435 AND 4435 HYDRO COMBINES

---

## SERIAL NUMBER AND PRODUCT IDENTIFICATION NUMBER (PIN) PLATES

USE ALL NUMBERS, LETTERS AND SPACES SHOWN ON THE SERIAL NUMBER PLATE OR THE PRODUCT IDENTIFICATION NUMBER PLATE IN WARRANTY CORRESPONDENCE.

### PRODUCT IDENTIFICATION NUMBER PLATE

THE PRODUCT IDENTIFICATION NUMBER PLATE (PIN) IS LOCATED ON THE RIGHT-HAND SIDE OF THE OPERATOR'S PLATFORM. AN EXAMPLE OF THIS PIN PLATE IS:

Z04435X051530

Z0 - MANUFACTURING UNIT (ZWEIBRUECKEN WORKS)  
4435 - MODEL IDENTIFIER  
X - CONFIGURATION CODE/MODEL IDENTIFIER SUFFIX  
051530 - SEQUENTIAL NUMBER USED IN SERIAL NO. COLUMN

# 1A11

4435 AND 4435 HYDRO COMBINES

## ENGINE SERIAL NUMBER

THE ENGINE SERIAL NUMBER PLATE IS LOCATED ON THE RIGHT-HAND SIDE OF THE ENGINE BLOCK, NEAR THE MECHANICAL FUEL TRANSFER PUMP.

AN EXAMPLE OF THE ONE-LINE, SIXTEEN-DIGIT NUMBER ON THIS SERIAL NUMBER PLATE IS:

6359DZ004805773CD

6 - NUMBER OF CYLINDERS  
359 - CUBIC INCH DISPLACEMENT  
D - FUEL TYPE OF ENGINE (DIESEL)  
Z - MANUFACTURING UNIT OF MACHINE (ZWEIBRUECKEN WORKS)  
004 - ENGINE VERSION  
805773 - ENGINE SERIAL NUMBER  
CD - MANUFACTURING UNIT OF ENGINE (SARAN WORKS)

AN EXAMPLE OF THE TWO-LINE NUMBER ON THIS SERIAL NUMBER PLATE IS:

CD6359D805773  
6359DZ004

(FIRST LINE)

CD - MANUFACTURING UNIT (SARAN WORKS)  
6 - NUMBER OF CYLINDERS  
359 - CUBIC INCH DISPLACEMENT  
D - CONFIGURATION CODE/MODEL IDENTIFIER SUFFIX  
805773 - SEQUENTIAL NUMBER USED IN SERIAL NO. COLUMN

(SECOND LINE)

6 - NUMBER OF CYLINDERS  
359 - CUBIC INCH DISPLACEMENT  
D - FUEL TYPE OF ENGINE (DIESEL)  
Z - MANUFACTURING UNIT OF MACHINE (ZWEIBRUECKEN WORKS)  
004 - ENGINE VERSION

## PARTS LISTING INFORMATION

SERIAL NUMBER OR PRODUCT IDENTIFICATION NUMBER (PIN) INFORMATION SHOWS ON WHICH MACHINES A PART MAY BE USED. FOR EXAMPLE:

- THE PART CAN BE USED ON ALL MACHINES.
- 000000 THE PART CAN BE USED ON ALL MACHINES UP TO AND INCLUDING THE SERIAL NUMBER LISTED.
- 000000- THE PART CAN BE USED ON ALL MACHINES BEGINNING WITH THE SERIAL NUMBER LISTED.
- 000000-000000 THE PART CAN BE USED ON ALL MACHINES BETWEEN AND INCLUDING THE SERIAL NUMBERS LISTED.

WHEN XXXXXX'S ARE LISTED IN PLACE OF A SERIAL NUMBER, A SERIAL NUMBER CHANGE WAS MADE, BUT THE EXACT SERIAL NUMBER WAS NOT AVAILABLE WHEN THE CATALOG WAS PRINTED.

# 1A12

4435 AND 4435 HYDRO COMBINES

## DIRECTION ARROW

ARROWS ARE USED WITH ILLUSTRATIONS TO INDICATE THE FRONT OF THE UNIT. "RIGHT-HAND" AND "LEFT-HAND" SIDES ARE DETERMINED BY FACING IN THE DIRECTION OF MACHINE FORWARD TRAVEL.

## BOX-ENCLOSED ILLUSTRATIONS

A KEY NUMBER, SHOWN IN THE PARTS LIST, IS ASSIGNED TO A BOX ENCLOSING ALL PARTS SOLD AS A SERVICE ASSEMBLY. A BOX NOT KEYED INCLUDES NON-CURRENT PARTS.

## KITS

KIT INFORMATION WILL BE FOUND IMMEDIATELY FOLLOWING THE STORY IN WHICH IT IS USED. THE ILLUSTRATION IS REPEATED WITH ONLY THE KIT PARTS CALLED OUT AND WITH ALL OTHER PARTS SHOWN IN PHANTOM FOR RELATIONSHIP.

## JDM REMANUFACTURED COMPONENTS

THE SERVICE PARTS LISTED IN THIS CATALOG ARE INTENDED FOR THE REPAIR OF ORIGINAL EQUIPMENT COMPONENTS. ALTHOUGH MOST SERVICE PARTS MAY BE USED TO REPAIR REMANUFACTURED COMPONENTS, THE REMANUFACTURED DESIGN MAY CHANGE PARTS SUFFICIENTLY SO THAT SERVICE PARTS ARE INADEQUATE OR NOT USABLE.

## BOLT AND CAP SCREW STRENGTH IDENTIFICATION

BOLTS AND CAP SCREWS REQUIRED TO HAVE HIGH-STRENGTH QUALITIES EQUIVALENT TO SAE GRADE 8 ARE IDENTIFIED THROUGHOUT THIS CATALOG BY THE DESCRIPTION HS SAE 8. ALL STANDARD BOLTS AND CAP SCREWS ARE SAE GRADE 5 OR LOWER.

## SI UNITS OF MEASURE

METRIC DIMENSIONS ARE GIVEN, WHERE APPLICABLE, THROUGHOUT THIS PARTS CATALOG.

## TRADEMARKS

THROUGHOUT THIS PARTS CATALOG, YOU WILL FIND THE FOLLOWING DEERE & COMPANY TRADEMARKS:

DIAL-A-MATIC™  
HARVESTRAK™  
POSI-TORQ™

TORQ-GARD SUPREME®  
QUIK-TATCH™

## CHANGE INDICATOR LINE (MICROFICHE CATALOGS ONLY)

CHANGES AFFECTING THE ORDERING OF PARTS ARE IDENTIFIED BY VERTICAL LINES MARKED IN THE LEFT-HAND MARGIN OF REVISED PARTS LISTING IMAGES. A LINE IS ALSO AT THE LEFT-HAND EDGE OF THE SAME PART NUMBER IN THE NUMERICAL INDEX TO SHOW THE LOCATION OF REVISED INFORMATION.

# 1A13

4435 AND 4435 HYDRO COMBINES

## SECTIONAL INDEX

	SECTION
PRIMARY PICTORIAL INDEX AND GENERAL INFORMATION . . . . .	10
BASIC ENGINE . . . . .	20
FUEL AND AIR . . . . .	30
ELECTRICAL . . . . .	40
POWER TRAIN . . . . .	50
STEERING AND BRAKES . . . . .	60
HYDRAULICS . . . . .	70
SEPARATOR SHELL . . . . .	80
OPERATOR'S STATION . . . . .	90
HEADERS - REFER TO INDIVIDUAL HEADER PARTS CATALOGS . . . . .	100
FEEDER HOUSE . . . . .	110
SEPARATOR . . . . .	120
GRAIN TANK AND UNLOADING AUGER . . . . .	130
DECALS, BELTS AND CHAINS . . . . .	150
NUMERICAL INDEX . . . . .	180

# 1A14

4435 AND 4435 HYDRO COMBINES

## ALPHABETICAL INDEX

GRID		PAGE	GRID		PAGE
<b>A</b>					
2H3	ACCUMULATOR, HYDRAULIC LINES .....	70-24	3D20	CAB ROOF AIR FILTER .....	90-64
3G25	ADAPTER PLATES, PLATFORM .....	110-36	1I23	CAB ROOF WIRING.....	40-82
4I5	ADJUSTING DEVICE FOR UNLOADING AUGER .....	130-56	3D7	CAB SOUNDPROOFING .....	90-50
4F3	ADJUSTING DEVICE, STRAW CHOPPER.....	120-93C	3D10	CAB SOUNDPROOFING (RIGHT-HAND).....	90-53
3C11	ADJUSTMENT INDICATOR, CONCAVE.....	90-30	3D9	CAB STORAGE RACK.....	90-52
1E16	AIR CLEANER AND AIR INTAKE TUBES .....	30-22	3D1	CAB WINDOWS AND MOLDINGS .....	90-44
3E21	AIR CONDITIONING CLEANING UNIT TUBE .....	90-88	1J9	CABLE CLIPS,CONNECTORS AND PLUGS .....	40-92
3E13	AIR CONDITIONING HOSES AND COUPLERS .....	90-80	1I9	CABLE-HARVEST PERFORMANCE MONITOR.....	40-70
3F5	AIR CONDITIONING SUCTION FAN DRIVE .....	90-98	1H11	CABLE-STRAW CHOPPER WITH LOW SPEED CONTROL .....	40-48
3D20	AIR FILTER, CAB ROOF .....	90-64	2C3	CABLE, CONTROL, HYDROSTATIC DRIVE .....	50-22
1D22	AIR INTAKE MANIFOLD(6359D).....	30-2	1I9	CABLE, INFO PANEL .....	40-70
1D23	AIR INTAKE MANIFOLD(6359T) .....	30-3	1B21	CAMSHAFT.....	20-16
1E16	AIR INTAKE TUBES, AIR CLEANER .....	30-22	1G7	CENTRAL ELECTRICAL HOUSING .....	40-18
3D19	AIR OUTLET PANEL .....	90-62	4H12	CENTRAL LUBRICATING POINT .....	130-38
1F20	ALTERNATOR .....	40-7	4C18	CHAFFER .....	120-38
1F19	ALTERNATOR ATTACHING PARTS.....	40-6	4C20	CHAFFER EXTENSION .....	120-40
1J3	ANTENNA .....	40-86	4C16	CHAFFER FRAME .....	120-36
1F19	ATTACHING PARTS, ALTERNATOR .....	40-6	3G5	CHAIN, FEEDER CONVEYOR .....	110-16
3C23	ATTACHING PARTS, CAB .....	90-42	4G15	CHAIN, TAILINGS ELEVATOR .....	130-16
4H8	AUGER, LEVELING, GRAIN TANK.....	130-34	4J6	CHAINS, LEFT-HAND SIDE.....	150-15
4H12	AUGER, UNLOADING .....	130-38	4J1	CHAINS, RIGHT-HAND SIDE .....	150-10
4G17	AUGER, UPPER TAILINGS.....	130-18	4J3	CHAINS, RIGHT-HAND SIDE .....	150-12
1C13	AUXILIARY PULLEY.....	20-30	4J5	CHAINS, RIGHT-HAND SIDE .....	150-14
2E15	AXLE SUPPORT AND V-SUPPORT FOR REAR AXLE ....	60-10	2C7	CHARGE PUMP MOUNTING, HYDROSTATIC DRIVE .....	50-26
2E9	AXLE, REAR.....	60-4	4F23	CLEAN GRAIN AUGERS, HOUSING .....	130-2
<b>B</b>					
1G20	BASIC WIRING HARNESS .....	40-32	4G1	CLEAN GRAIN AUGERS, LOWER TAILINGS .....	130-4
1G22	BASIC WIRING HARNESS .....	40-34	4G9	CLEAN GRAIN ELEVATOR DRIVE.....	130-10
1G24	BASIC WIRING HARNESS .....	40-36	4G11	CLEAN GRAIN ELEVATOR HEAD .....	130-12
1J7	BASIC WIRING HARNESS .....	40-90	4G3	CLEAN GRAIN ELEVATOR HOUSING.....	130-6
1H5	BASIC WIRING HARNESS, THERMOSTAT SWITCH .....	40-42	4G5	CLEAN GRAIN ELEVATOR MOUNTING PARTS.....	130-7A
1F15	BATTERY AND CABLES .....	40-2	4G7	CLEAN GRAIN ELEVATOR, CONVEYOR CHAIN .....	130-8
2J11	BATTERY MOUNTINGS .....	80-24	2J21	CLEANING FAN GUARDS FOR CORN EQUIPMENT.....	80-34
4E5	BEARING, STRAW WALKER .....	120-74	2J19	CLEANING FAN GUARDS, STANDARD .....	80-32
1C2	BEARINGS/CRANKSHAFT.....	20-21	4D18	CLEANING FAN-ADJUSTING ROD .....	120-64
1C3	BEARINGS/CRANKSHAFT.....	20-22	4C24	CLEANING SHOE SUSPENSION .....	120-44
4C2	BEATER .....	120-22	3E21	CLEANING UNIT TUBE, AIR CONDITIONING.....	90-88
4C12	BEATER DRIVE .....	120-32	1B24	CLOSING (WITHOUT OIL FILLER NECK) .....	20-18
4C4	BEATER, VARIABLE DRIVE WITH CENTER OIL SUPPLY.....	120-24	2D11	CLUTCH .....	50-54
2H17	BEATER, VARIABLE DRIVE WITH CENTER OIL SUPPLY, HYDRAULIC LINE .....	70-38	3E4	CLUTCH AND SERVICE VALVES, COMPRESSOR .....	90-71
1C20	BELT (WATER PUMP).....	20-38	2D9	CLUTCH HOUSING, DRIVE SHEAVE .....	50-52
2C9	BELT, HYDROSTATIC DRIVE UNIT .....	50-28	2D5	CLUTCH MASTER CYLINDER .....	50-48
4D11	BLADES, FAN SHAFT .....	120-56	2D6	CLUTCH OIL LINES.....	50-49
1B8	BLOCK,CYLINDER .....	20-4	1G18	CLUTCH PEDAL, ELECTRICAL SWITCH.....	40-30
1B9	BLOCK,CYLINDER.....	20-5	2D7	CLUTCH SLAVE CYLINDER, ELECTRICAL TRANSMISSION BRAKE .....	50-50
3F18	BOTTOM SHEET, FEEDER HOUSE .....	110-6	1E13	COLD WEATHER STARTING AID .....	30-18
2F1	BRAKE CYLINDER.....	60-22	2K15	COMBINE MAINTENANCE PRODUCTS.....	80-52
2E22	BRAKE LINES (LOWER) .....	60-18	1G3	COMPRESSOR CABLES .....	40-16
2E24	BRAKE LINES (UPPER) .....	60-20	1G5	COMPRESSOR CABLES.....	40-17A
2E18	BRAKE PEDALS.....	60-14	3E4	COMPRESSOR CLUTCH AND SERVICE VALVES.....	90-71
2E20	BRAKE VALVE .....	60-16	3E3	COMPRESSOR HARDWARE KIT .....	90-70
1G11	BRAKE, TRANSMISSION.....	40-22	3E11	COMPRESSOR HOSES .....	90-78
<b>C</b>					
3C23	CAB ATTACHING PARTS .....	90-42	3F1	COMPRESSOR HOSES .....	90-94
3D22	CAB FAN .....	90-66	3E17	COMPRESSOR MOUNTING .....	90-84
3D3	CAB MOUNTING AND CYLINDERS .....	90-46	3E7	COMPRESSOR MOUNTING PARTS .....	90-74
3D13	CAB ROOF.....	90-56	3E5	COMPRESSOR PARTS .....	90-72
			4B16	CONCAVE.....	120-10
			4B18	CONCAVE - SUSPENSION .....	120-12
			3C11	CONCAVE ADJUSTMENT INDICATOR .....	90-30
			3C9	CONCAVE AND BRAKE LEVERS .....	90-28
			3E15	CONDENSER .....	90-82
			3E19	CONDENSER AND MOUNTING .....	90-86
			3E25	CONDENSER FAN, FRONT .....	90-92
			3E23	CONDENSER FAN, REAR .....	90-90
			1C7	CONNECTING ROD(6359D) .....	20-24
			1C9	CONNECTING ROD(6359T) .....	20-26

# 1A15

4435 AND 4435 HYDRO COMBINES

## ALPHABETICAL INDEX - CONTINUED

<i>GRID</i>		<i>PAGE</i>	<i>GRID</i>		<i>PAGE</i>
2C3	CONTROL CABLE, HYDROSTATIC DRIVE .....	50-22	4F15	DEFLECTOR, STRAW SPREADER .....	120-104
1H15	CONTROL LEVER .....	40-52	1I15	DIAL-A-MATIC ELECTRICAL PARTS .....	40-74
3C7	CONTROL LEVER - CUTTING PLATFORM/ HYDRAULIC REVERSER .....	90-26	1I17	DIAL-A-MATIC MECHANICAL PARTS .....	40-76
3C20	CONTROL LEVER, CYLINDER SPEED .....	90-39	2D19	DIFFERENTIAL .....	50-62
2G22	CONTROL VALVE FITTINGS, ELECTRO-MAGNETIC .....	70-18	1B12	DIPSTICK FASTENING .....	20-8
2G18	CONTROL VALVE FITTINGS, MAIN .....	70-14	1B10	DIPSTICK,OIL .....	20-6
2G16	CONTROL VALVE POPPETS, MAIN .....	70-12	1B11	DIPSTICK,OIL .....	20-7
2G24	CONTROL VALVE, ELECTRO MAGNETIC .....	70-20	2F2	DISK BRAKES FOOT BRAKES .....	60-24
2G20	CONTROL VALVE, ELECTRO-MAGNETIC .....	70-16	2F4	DISK BRAKES HANDBRAKE .....	60-26
2B14	CONTROL VALVE, HYDROST. DR. DISPLACEMENT .....	50-8	2B14	DISPLACEMENT CONTROL VALVE, HYDROST. DR. ....	50-8
2G14	CONTROL VALVE, MAIN .....	70-10	1I19	DISTRIBUTION BOX, SOLENOIDS .....	40-78
4G7	CONVEYOR CHAIN, CLEAN GRAIN ELEVATOR .....	130-8	1G1	DISTRIBUTOR BOX-ENGINE AREA .....	40-14
2J21	CORN EQUIPMENT, CLEANING FAN GUARDS .....	80-34	4E15	DISTRIBUTOR HOUSING, STRAW CHOPPER .....	120-84
4E9	COUNTERKNIVES, STRAW CHOPPER .....	120-78	1J4	DOME LIGHT .....	40-87
1D11	COUNTERSHAFT FOR ROTARY RADIATOR SCREEN ....	20-54	3D5	DOOR HANDLE, CAB .....	90-48
4F7	COUNTERSHAFT, STRAW CHOPPER .....	120-96	4H7	DOOR, ACCESS, GRAIN TANK .....	130-32
2I7	COUPLER, CUTTING PLATFORM .....	70-54	1D13	DRAINING ENGINE OIL, ENGINE BREATHER .....	20-56
3C22	COVER PLATE, OPERATOR'S PLATFORM .....	90-41	4I20	DRIVE BELTS, LEFT-HAND SIDE .....	150-4
1B16	COVER,ROCKER ARM .....	20-12	4I22	DRIVE BELTS, LEFT-HAND SIDE .....	150-6
1C1	COVER,TIMING GEAR .....	20-20	4I23	DRIVE BELTS, LEFT-HAND SIDE .....	150-7
3D15	COVERS, CAB .....	90-58	4I24	DRIVE BELTS, LEFT-HAND SIDE .....	150-8
4H10	COVERS, INNER UNLOADING AUGER .....	130-36	4I25	DRIVE BELTS, LEFT-HAND SIDE .....	150-9
1C12	CRANKSHAFT PULLEY .....	20-29	4I18	DRIVE BELTS, RIGHT-HAND SIDE .....	150-2
1C2	CRANKSHAFT/BEARINGS .....	20-21	4G19	DRIVE IDLER, TAILINGS AUGER .....	130-20
1C3	CRANKSHAFT/BEARINGS .....	20-22	4F5	DRIVE IDLERS, STRAW CHOPPER .....	120-94
1C4	CRANKSHAFT/BEARINGS KIT .....	20-22A	4D15	DRIVE PARTS - SEPARATOR AND FAN .....	120-60
4D24	CURTAIN .....	120-68	4E13	DRIVE PULLEY, STRAW CHOPPER .....	120-82
1H21	CUTTING PLATFORM HEIGHT INDICATOR .....	40-58	2D9	DRIVE SHEAVE, CLUTCH HOUSING .....	50-52
2H19	CUTTING PLATFORM PRESSURE INDICATOR HOSE ....	70-40	4F15	DRIVE SHIELD, STRAW SPREADER .....	120-104
2I7	CUTTING PLATFORM, COUPLER .....	70-54	2E1	DRIVE WHEEL AXLE AND EXTENSION .....	50-68
2I5	CUTTING PLATFORMS 200 SERIES U.S., MODIFICATION PARTS .....	70-52	2E3	DRIVE WHEELS .....	50-70
4B9	CYLINDER ACCESS DOOR .....	120-2	4C12	DRIVE, BEATER .....	120-32
1B8	CYLINDER BLOCK .....	20-4	4D13	DRIVE, FAN VARIATOR .....	120-58
1B9	CYLINDER BLOCK .....	20-5	4D5	DRIVE, LOWER CHAFFER BOARD .....	120-50
2B12	CYLINDER BLOCK KIT, HYDROSTATIC PUMP .....	50-6	2G12	DRIVE, MAIN HYDRAULIC PUMP .....	70-8
1B17	CYLINDER HEAD .....	20-13	4I9	DRIVE, OUTER UNLOADING AUGER .....	130-60
1C6	CYLINDER LINER/PISTON KIT (6359D) .....	20-23	4I11	DRIVE, OUTER UNLOADING AUGER .....	130-62
1C11	CYLINDER LINER/PISTON KIT (6359T) .....	20-28	4I7	DRIVE, OUTER UNLOADING AUGER, GEAR CASE .....	130-58
3C20	CYLINDER SPEED CONTROL LEVER .....	90-39	4D7	DRIVE, SLIP CLUTCH STRAW WALKER .....	120-52
2F1	CYLINDER, BRAKE .....	60-22	4D5	DRIVE, STRAW WALKER .....	120-50
2F20	CYLINDER, STEERING .....	60-42	3F7	DRIVE, SUCTION FAN .....	90-100
3D3	CYLINDERS, CAB .....	90-46	4G21	DRIVE, TAILINGS ELEVATOR .....	130-22
			4H18	DRIVE, UNLOADING, GRAIN TANK .....	130-44
			4H20	DRIVE, UNLOADING, GRAIN TANK .....	130-46
			4H24	DRIVES, PADDLE, INNER UNLOADING AUGER .....	130-50
<b>D</b>			<b>E</b>		
4K5	DASHBOARD PANEL DECALS .....	150-38	1E1	ELBOW, EXHAUST (6359T) .....	30-5A
4J20	DECALS .....	150-29	1G12	ELECTRIC CONNECTIONS, TRANSMISSION WIRING HARNESS .....	40-24
4K5	DECALS, DASHBOARD PANEL .....	150-38	2G24	ELECTRIC ORIFICE FOR ELECTRO-MAGNETIC CONTROL VALVE .....	70-20
4J19	DECALS, ENGINE SECTION .....	150-28	1F23	ELECTRICAL CONNECTIONS ENGINE .....	40-10
4J15	DECALS, LEFT HAND .....	150-24	1H13	ELECTRICAL FAN ADJUSTMENT .....	40-50
4J9	DECALS, LEFT-HAND .....	150-18	1E22	ELECTRICAL FUEL TRANSFER PUMP .....	30-28
4J13	DECALS, LEFT-HAND .....	150-22	1I15	ELECTRICAL PARTS, DIAL-A-MATIC .....	40-74
4J21	DECALS, LEFT-HAND .....	150-30	1H13	ELECTRICAL PARTS, STRAW CHOPPER .....	40-50
4K1	DECALS, OPERATOR'S PLATFORM .....	150-34	1G18	ELECTRICAL SWITCH- CLUTCH PEDAL .....	40-30
4K3	DECALS, OPERATOR'S PLATFORM .....	150-36	2D7	ELECTRICAL TRANSMISSION BRAKE, CLUTCH SLAVE CYLINDER .....	50-50
4J17	DECALS, REAR .....	150-26	2G20	ELECTRO-MAGNETIC CONTROL VALVE .....	70-16
4J7	DECALS, RIGHT HAND .....	150-16	2G24	ELECTRO-MAGNETIC CONTROL VALVE .....	70-20
4J11	DECALS, RIGHT-HAND .....	150-20	2G22	ELECTRO-MAGNETIC CONTROL VALVE FITTINGS .....	70-18
4J23	DECALS, RIGHT-HAND .....	150-32	1G11	ELECTRO-MAGNETIC-TRANSMISSION-BRAKE .....	40-22
4E17	DEFLECTOR, STRAW CHOPPER .....	120-86	1H1	ELECTROMAGNETIC CLUTCH-HEADER DRIVE .....	40-38
4E21	DEFLECTOR, STRAW CHOPPER .....	120-90			
4E23	DEFLECTOR, STRAW CHOPPER .....	120-92			
4F1	DEFLECTOR, STRAW CHOPPER .....	120-93A			
4F3	DEFLECTOR, STRAW CHOPPER .....	120-93C			

# 1A16

4435 AND 4435 HYDRO COMBINES

## ALPHABETICAL INDEX - CONTINUED

GRID		PAGE	GRID		PAGE
4G9	ELEVATOR DRIVE, CLEAN GRAIN .....	130-10	2H25	FLOW CONTROL VALVE, HYDROSTATIC REEL DRIVE .....	70-46
4G11	ELEVATOR HEAD, CLEAN GRAIN .....	130-12	1C17	FLYWHEEL .....	20-34
4G3	ELEVATOR HOUSING, CLEAN GRAIN .....	130-6	1C16	FLYWHEEL HOUSING .....	20-33
4G5	ELEVATOR MOUNTING PARTS, CLEAN GRAIN .....	130-7A	2F2	FOOT BRAKES, DISK BRAKES .....	60-24
4G7	ELEVATOR, CLEAN GRAIN, CONVEYOR CHAIN .....	130-8	4C16	FRAME, CHAFFER .....	120-36
4G13	ELEVATOR, TAILINGS .....	130-14	2I14	FRONT AXLE SUPPORT .....	80-4
4G21	ELEVATOR, TAILINGS, DRIVE .....	130-22	3E25	FRONT CONDENSER FAN .....	90-92
1D4	ENGINE - MOUNTING PARTS .....	20-47	2B10	FRONT COVER, HYDROSTATIC PUMP .....	50-4
1D13	ENGINE BREATHER AND DRAINING ENGINE OIL .....	20-56	1B13	FRONT PLATE (6359D) .....	20-9
2J9	ENGINE COMPARTMENT FLOOR SHEETS .....	80-22	1B14	FRONT PLATE(6359T) .....	20-10
1D10	ENGINE COMPARTMENT SEALING PADS .....	20-53	2J23	FRONT SEPARATOR SHIELDS, LEFT-HAND .....	80-36
2K11	ENGINE COMPARTMENT SHEETS .....	80-48	3F18	FRONT SHIELD, FEEDER HOUSE .....	110-6
1D3	ENGINE COOLANT HEATER .....	20-46	1E4	FUEL FILTER AND LINES .....	30-8
1D1	ENGINE GASKET SET .....	20-44	1E5	FUEL FILTER AND LINES .....	30-9
4J19	ENGINE SECTION DECALS .....	150-28	1E10	FUEL INJECTION LINES .....	30-14
1D15	ENGINE SUPPORT .....	20-58	1E11	FUEL INJECTION NOZZLE (4435) .....	30-15
1F21	ENGINE WIRING HARNESS .....	40-8	1E12	FUEL INJECTION NOZZLE (4435HY) .....	30-16
1F23	ENGINE, ELECTRICAL CONNECTIONS .....	40-10	1E8	FUEL INJECTION PUMP(6359D) .....	30-12
1F25	ETHER COLD WEATHER STARTING AID CABLE .....	40-12	1E9	FUEL INJECTION PUMP(6359T) .....	30-13
3D24	EVAPORATOR .....	90-67A	1E4	FUEL LINES AND FILTER .....	30-8
3D23	EVAPORATOR / HEATER CORE .....	90-67	1E5	FUEL LINES AND FILTER .....	30-9
1E18	EXHAUST EJECTOR AND PIPE .....	30-24	1E23	FUEL PRE-FILTER .....	30-30
1E1	EXHAUST ELBOW (6359T) .....	30-5A	1F3	FUEL PRE-FILTER, GASKET-SET .....	30-34
1D25	EXHAUST MANIFOLD (6359T) .....	30-5	1F1	FUEL PRE-FILTER, REPAIR-SET .....	30-32
1D24	EXHAUST MANIFOLD(6359D) .....	30-4	2B21	FUEL PRE-FILTER, REPAIR-SET .....	50-16
2E1	EXTENSION, DRIVE WHEEL AXLE .....	50-68	1E20	FUEL TANK .....	30-26
<b>F</b>					
1H13	FAN ADJUSTMENT, ELECTRIC .....	40-50	1E7	FUEL TRANSFER PUMP (SOFABEX)(3701) .....	30-11
4D15	FAN DRIVE PARTS .....	120-60	1E6	FUEL TRANSFER PUMP "SOFABEX" .....	30-10
2J19	FAN GUARDS, CLEANING, STANDARD .....	80-32	1E22	FUEL TRANSFER PUMP, ELECTRICAL .....	30-28
4D9	FAN HOUSING .....	120-54	1G9	FUSES AND STRIP TERMINAL .....	40-20
4D11	FAN SHAFT AND BLADES .....	120-56	<b>G</b>		
4D13	FAN VARIATOR DRIVE, UPPER .....	120-58	1D1	GASKET SET .....	20-44
1C21	FAN, ENGINE .....	20-39	1D1	GASKET SET ENGINE .....	20-44
1B12	FASTENING,DIPSTICK .....	20-8	2H22	GASKET SET FOR REEL DRIVE HYDRAULIC PUMP .....	70-43
3G5	FEEDER CONVEYOR CHAIN .....	110-16	1F3	GASKET-SET, FUEL PRE-FILTER .....	30-34
3G21	FEEDER CONVEYOR DRIVE .....	110-32	4I7	GEAR CASE, OUTER UNLOADING AUGER DRIVE .....	130-58
3G3	FEEDER CONVEYOR DRUM .....	110-14	2D13	GEAR SHIFTING PARTS .....	50-56
3F15	FEEDER CONVEYOR HOUSING .....	110-2	1C1	GEAR,TMING COVER .....	20-20
3F17	FEEDER CONVEYOR RETURN SHIELDS .....	110-4	1B22	GEARS,IDLE .....	20-17
3F18	FEEDER HOUSE FRONT SHIELD AND BOTTOM SHEET .....	110-6	1B23	GEARS,IDLE .....	20-17A
3G23	FEEDER HOUSE GUARDS .....	110-34	4C14	GRAIN PAN .....	120-34
3G13	FEEDER HOUSE LOWER BEARINGS AND SPROCKETS,LEFT-HAND .....	110-24	4D1	GRAIN PAN SHAFT AND SUSPENSION .....	120-46
2I20	FEEDER HOUSE SUPPORT .....	80-9A	4G23	GRAIN TANK .....	130-24
3F22	FEEDER HOUSE UPPER SHAFT AND SPROCKETS .....	110-10	4H7	GRAIN TANK ACCESS DOOR .....	130-32
3F24	FEEDER HOUSE UPPER SHEAVE AND SPROCKETS .....	110-11A	1I1	GRAIN TANK FILL INDICATOR .....	40-62
3G1	FEEDER HOUSE UPPER SHEAVE AND SPROCKETS .....	110-12	4H14	GRAIN TANK INNER UNLOADING AUGER .....	130-40
1I11	FIELD LIGHTS .....	40-72	4H8	GRAIN TANK LEVELING AUGER .....	130-34
1I1	FILL INDICATOR, GRAIN TANK .....	40-62	4H16	GRAIN TANK PADDLE .....	130-42
1B10	FILTER,OIL .....	20-6	4H5	GRAIN TANK SAMPLE .....	130-30
1B11	FILTER,OIL .....	20-7	4H1	GRAIN TANK SHEETS .....	130-26
2D23	FINAL DRIVE GEARS .....	50-66	4H18	GRAIN TANK UNLOADING DRIVE .....	130-44
2D21	FINAL DRIVE HOUSINGS .....	50-64	4H20	GRAIN TANK UNLOADING DRIVE SHAFT AND BEARINGS .....	130-46
4B20	FINGER GRATE .....	120-14	4H3	GRAIN TANK WINDOWS AND HANDRAIL .....	130-28
2G22	FITTINGS, CONTROL VALVE .....	70-18	2H9	GROUND DRIVE HYDRAULIC LINES .....	70-30
2C13	FITTINGS, HYDROSTATIC DRIVE .....	50-32	4E6	GUARDS LEFT-HAND .....	120-75
2G18	FITTINGS, MAIN CONTROL VALVE .....	70-14	3G23	GUARDS, FEEDER HOUSE .....	110-34
3D11	FLOOR MATS .....	90-54	<b>H</b>		
2J9	FLOOR SHEETS, ENGINE COMPARTMENT .....	80-22	4H3	HANDRAIL, GRAIN TANK .....	130-28
2I1	FLOW CONTROL VALVE REPAIR KIT, HYDROSTATIC REEL DRIVE .....	70-47	3B12	HANDRAILS, OPERATOR'S PLATFORM .....	90-6



# 1A17

4435 AND 4435 HYDRO COMBINES

## ALPHABETICAL INDEX - CONTINUED

GRID		PAGE	GRID		PAGE
3E3	HARDWARE KIT, COMPRESSOR .....	90-70	2C1	HYDROSTATIC MOTOR VALVE .....	50-20
1I9	HARVEST PERFORMANCE MONITOR, CABLE .....	40-70	2B20	HYDROSTATIC PUMP SERVO .....	50-14
1I3	HARVESTRAK SENSORS .....	40-64	2H25	HYDROSTATIC REEL DRIVE FLOW CONTROL VALVE .....	70-46
1I5	HARVESTRAK WIRING HARNESSSES .....	40-66	2I1	HYDROSTATIC REEL DRIVE FLOW CONTROL VALVE REPAIR KIT .....	70-47
1B17	HEAD,CYLINDER .....	20-13	2I2	HYDROSTATIC REEL DRIVE MOTOR .....	70-48
3F20	HEADER ATTACHING PIN .....	110-8	2I3	HYDROSTATIC REEL DRIVE, HYDRAULIC LINES AND HOSES .....	70-50
3G7	HEADER DRIVE CHAIN .....	110-18	2I5	HYDROSTATIC REEL DRIVE, MODIFICATION PARTS FOR CUTTING PLATFORM .....	70-52
3G15	HEADER DRIVE SHAFT .....	110-26	2H3	HYDRUALIC LINES AND ACCUMULATOR .....	70-24
1H1	HEADER DRIVE, ELECTROMAGNETIC CLUTCH .....	40-38			
1I21	HEADER HEIGHT RESUME .....	40-80		I	
2J15	HEADER LIFT CYLINDER SAFETY STOP .....	80-28	1B22	IDLE GEARS .....	20-17
2H8	HEADER LIFT HYDRAULIC CYLINDER .....	70-29	1B23	IDLE GEARS .....	20-17A
3F10	HEADERS .....	100-A02	4C6	IDLER ARM, SEPARATOR DRIVE .....	120-26
1G16	HEADLIGHTS .....	40-28	4C8	IDLER, SEPARATOR DRIVE .....	120-28
3D17	HEADLINER .....	90-60	2F10	INDIVIDUAL PARTS FOR STEERING PUMP .....	60-32
3D24	HEATER CORE .....	90-67A	2F14	INDIVIDUAL PARTS FOR STEERING PUMP .....	60-36
3E1	HEATER VALVE AND HOSES .....	90-68	1I9	INFO PANEL, CABLE .....	40-70
1D3	HEATER, ENGINE COOLANT .....	20-46	1I7	INFORMATION PANEL .....	40-68
1H21	HEIGHT INDICATOR, CUTTING PLATFORM .....	40-58	3D15	INNER ROOF AND COVERS .....	90-58
1G16	HORN .....	40-28	4H24	INNER UNLOADING AUGER AND PADDLE DRIVES .....	130-50
3E13	HOSES AND COUPLERS, AIR CONDITIONING .....	90-80	4H10	INNER UNLOADING AUGER COVERS .....	130-36
2C11	HOSES, HYDROSTATIC DRIVE .....	50-30	4H14	INNER UNLOADING AUGER, GRAIN TANK .....	130-40
1G7	HOUSING, CENTRAL ELECTRICAL .....	40-18	1H18	INSTRUMENT PANEL .....	40-55
2B8	HOUSING, HYDROSTATIC PUMP .....	50-2	1H19	INSTRUMENT PANEL .....	40-56
4F23	HOUSING, LOWER TAILINGS AND CLEAN GRAIN AUGERS .....	130-2	1H17	INSTRUMENT PANEL, WIRING HARNESS .....	40-54
4I1	HOUSING, OUTER UNLOADING AUGER .....	130-52	1E15	INTAKE TUBES, PRECLEANER .....	30-21
4E7	HOUSING, STRAW CHOPPER .....	120-76	1D22	INTAKE,AIR MANIFOLD(6359D) .....	30-2
4E15	HOUSING, STRAW CHOPPER DISTRIBUTOR .....	120-84	1D23	INTAKE,AIR MANIFOLD(6359T) .....	30-3
1C25	HOUSING, THERMOSTAT .....	20-43		K	
4G17	HOUSING, UPPER TAILINGS .....	130-18	1C5	KIT, UNDERSIZE CRANKSHAFT/BEARINGS .....	20-22B
1C16	HOUSING, FLYWHEEL .....	20-33	1C4	KIT, CRANKSHAFT/BEARINGS .....	20-22A
1J11	HOUSINGS FOR ELECTRICAL PLUG CONNECTORS .....	40-94	1C6	KIT, CYLINDER LINER/PISTON (6359D) .....	20-23
2C5	HYDRAULIC BELT TENSIONING .....	50-24	1C11	KIT, CYLINDER LINER/PISTON (6359T) .....	20-28
2D3	HYDRAULIC CLUTCH OPERATING PARTS .....	50-46	4E11	KNIVES, STRAW CHOPPER .....	120-80
4I13	HYDRAULIC CYLINDER MOUNTING, SWING, UNLOADING AUGER .....	130-64		L	
2H8	HYDRAULIC CYLINDER, HEADER LIFT .....	70-29	2J7	LADDER, REAR SERVICE PLATFORM .....	80-20
2H11	HYDRAULIC HOSE, REEL LIFT .....	70-32	3C5	LEFT-HAND LEVERS .....	90-24
2H17	HYDRAULIC LINE, VARIABLE DRIVE WITH CENTER OIL SUPPLY FOR BEATER .....	70-38	2J13	LEFT-HAND REAR SEPARATOR SHIELD .....	80-26
2I3	HYDRAULIC LINES AND HOSES, HYDROSTATIC REEL DRIVE .....	70-50	2K3	LEFT-HAND SHIELD BRACKET .....	80-40
2H9	HYDRAULIC LINES, GROUND DRIVE .....	70-30	2K5	LEFT-HAND SHIELD BRACKET .....	80-42
2G8	HYDRAULIC LINES, HYDRAULIC PUMP .....	70-4	4F1	LEVER ADJUSTMENT, STRAW CHOPPER DEFLECTOR ..	120-93A
2G8	HYDRAULIC LINES, MAIN HYDR. RESERVOIR .....	70-4	3C9	LEVERS, CONCAVE AND BRAKE .....	90-28
2H13	HYDRAULIC LINES, REEL ADJUSTMENT .....	70-34	3C5	LEVERS, LEFT-HAND .....	90-24
2H1	HYDRAULIC LINES, REVERSE DRIVE .....	70-22	1J4	LIGHT, DOME .....	40-87
2H15	HYDRAULIC LINES, UNLOADING AUGER .....	70-36	1I11	LIGHTS, FIELD .....	40-72
2H21	HYDRAULIC PUMP, REEL DRIVE .....	70-42	1C7	LINER(6359D) .....	20-24
2H22	HYDRAULIC PUMP, GASKET SET, REEL DRIVE .....	70-43	1C9	LINER(6359T) .....	20-26
2H23	HYDRAULIC RESERVOIR, REEL DRIVE FITTINGS .....	70-44	1E10	LINES, FUEL INJECTION .....	30-14
3G9	HYDRAULIC REVERSER DRIVE .....	110-20	1H7	LOW SHAFT SPEED CONTROL SENDING UNIT, WIRING HARNESS .....	40-44
3G11	HYDRAULIC REVERSER SHIFTER .....	110-22	1H9	LOW SHAFT SPEED CONTROL SENDING UNIT .....	40-46
3C7	HYDRAULIC REVERSER, CONTROL LEVER - CUTTING PLATFORM .....	90-26	1H11	LOW SPEED CONTROL, CABLE .....	40-48
2H7	HYDRAULIC SWING UNLOADING AUGER CYLINDER ...	70-28	4D5	LOWER CHAFFER BOARD DRIVE .....	120-50
2B14	HYDROST. DR. DISPLACEMENT CONTROL VALVE .....	50-8	2J17	LOWER DRIVE GUARDS, LEFT-HAND .....	80-30
2B18	HYDROSTATIC DRIVE CHARGE PUMP .....	50-12	4D17	LOWER FAN VARIABLE SHEAVES .....	120-62
2C7	HYDROSTATIC DRIVE CHARGE PUMP MOUNTING .....	50-26			
2C3	HYDROSTATIC DRIVE CONTROL CABLE .....	50-22			
2C15	HYDROSTATIC DRIVE LOWER OIL HOSES .....	50-34			
2B23	HYDROSTATIC DRIVE MOTOR KIT .....	50-18			
2C13	HYDROSTATIC DRIVE OIL COOLER, FITTINGS .....	50-32			
2C17	HYDROSTATIC DRIVE OIL RESERVOIR .....	50-36			
2B7	HYDROSTATIC DRIVE PUMP .....	50-1			
2B16	HYDROSTATIC DRIVE PUMP COVER .....	50-10			





# 1A20

4435 AND 4435 HYDRO COMBINES

## ALPHABETICAL INDEX - CONTINUED

GRID	PAGE	GRID	PAGE
2E11	SPINDLES, REAR AXLE .....	60-6	
1B18	SPRINGS(6359D) .....	20-14	
1B19	SPRINGS(6359T) .....	20-15	
3F24	SPROCKETS, FEEDER HOUSE UPPER SHEAVE .....	110-11A	
3G1	SPROCKETS, FEEDER HOUSE UPPER SHEAVE .....	110-12	
1F17	STARTING MOTOR .....	40-4	
1G19	STARTING SWITCH.....	40-31	
2F6	STEERING COLUMN.....	60-28	
2F8	STEERING COLUMN.....	60-30	
2F20	STEERING CYLINDER.....	60-42	
2F16	STEERING HOSES, FRONT .....	60-38	
2F18	STEERING HOSES, REAR .....	60-40	
2F16	STEERING LINES, FRONT .....	60-38	
2F18	STEERING LINES, REAR .....	60-40	
2F10	STEERING PUMP, INDIVIDUAL PARTS .....	60-32	
2F14	STEERING PUMP, INDIVIDUAL PARTS .....	60-36	
2F12	STEERING PUMP, SEAL KIT .....	60-34	
2E13	STEERING TIE RODS .....	60-8	
4B11	STONE TRAP .....	120-4	
3D9	STORAGE RACK, CAB .....	90-52	
4E9	STRAW CHOPPER COUNTERKNIVES AND SUPPORT ..	120-78	
4F7	STRAW CHOPPER COUNTERSHAFT .....	120-96	
4E21	STRAW CHOPPER DEFLECTOR .....	120-90	
4E23	STRAW CHOPPER DEFLECTOR .....	120-92	
4F1	STRAW CHOPPER DEFLECTOR .....	120-93A	
4F3	STRAW CHOPPER DEFLECTOR .....	120-93C	
4E17	STRAW CHOPPER DEFLECTORS FOR DISTRIBUTOR ..	120-86	
4E15	STRAW CHOPPER DISTRIBUTOR HOUSING .....	120-84	
4F5	STRAW CHOPPER DRIVE IDLERS .....	120-94	
4E13	STRAW CHOPPER DRIVE PULLEY .....	120-82	
4F9	STRAW CHOPPER DRIVE SHIELD .....	120-98	
4E7	STRAW CHOPPER HOUSING .....	120-76	
4E19	STRAW CHOPPER RETAINERS .....	120-88	
4E11	STRAW CHOPPER ROTOR AND KNIVES .....	120-80	
1H11	STRAW CHOPPER, CABLE .....	40-48	
1H13	STRAW CHOPPER, ELECTRICAL PARTS .....	40-50	
4F13	STRAW SPREADER BLADES.....	120-102	
4F11	STRAW SPREADER DRIVE .....	120-100	
4F17	STRAW SPREADER SAFETY RAIL .....	120-106	
4F15	STRAW SPREADER, DEFLECTOR .....	120-104	
4F15	STRAW SPREADER, DRIVE SHIELD .....	120-104	
4D20	STRAW WALKER.....	120-66	
4D22	STRAW WALKER.....	120-67A	
4E5	STRAW WALKER BEARING .....	120-74	
4E1	STRAW WALKER CRANKSHAFT, FRONT .....	120-70	
4E3	STRAW WALKER CRANKSHAFT, REAR.....	120-72	
4D5	STRAW WALKER DRIVE.....	120-50	
1H23	STRAW WALKER WARNING SYSTEM .....	40-60	
3F7	SUCTION FAN DRIVE .....	90-100	
3F5	SUCTION FAN DRIVE, AIR CONDITIONING.....	90-98	
1D9	SUCTION NOZZLE FOR ROTARY RADIATOR SCREEN.....	20-52	
2I20	SUPPORT, FEEDER HOUSE .....	80-9A	
2I14	SUPPORT, FRONT AXLE .....	80-4	
4I15	SUPPORT, LOWER, UNLOADING AUGER .....	130-66	
4B18	SUSPENSION, CONCAVE.....	120-12	
4C1	SUSPENSION, VARIABLE CYLINDER .....	120-20	
2B10	SWASHPLATE, HYDROSTATIC PUMP .....	50-4	
1H6	SWITCH, REVERSER .....	40-43	
<b>T</b>			
1H3	TAIL LIGHTS .....	40-40	
4G19	TAILINGS AUGER DRIVE IDLER .....	130-20	
4G13	TAILINGS ELEVATOR .....	130-14	
4G15	TAILINGS ELEVATOR CHAIN.....	130-16	
4G21	TAILINGS ELEVATOR DRIVE .....	130-22	
4G17	TAILINGS, UPPER, AUGER AND HOUSING.....	130-18	
1B20	TAPPETS .....	20-15A	
2C5	TENSIONING SYSTEM, BELT, HYDRAULIC .....	50-24	
1C25	THERMOSTAT .....	20-43	
1C25	THERMOSTAT HOUSING .....	20-43	
1H5	THERMOSTAT SWITCH FOR HYDROSTATIC DRIVE .....	40-42	
1F5	THROTTLE LINKAGE .....	30-36	
2E13	TIE RODS, STEERING .....	60-8	
1C1	TIMING GEAR COVER .....	20-20	
2I15	TOOL BOX WITH SUPPORT .....	80-5	
2K13	TOOL, PLUGGED CYLINDER.....	80-50	
2K14	TOOLS .....	80-51	
2D15	TRANSMISSION CASE .....	50-58	
2D17	TRANSMISSION GEARS.....	50-60	
1G12	TRANSMISSION WIRING HARNESS .....	40-24	
1G11	TRANSMISSION-BRAKE .....	40-22	
2I12	TRAVERSE BRACKET AND SUPPORTS.....	80-2	
1B15	TUBE, VENT .....	20-11	
1E2	TURBOCHARGER .....	30-6	
1E2	TURBOCHARGER OIL LINES.....	30-6	
<b>U</b>			
1C5	UNDERSIZE CRANKSHAFT/BEARINGS KIT .....	20-22B	
4H12	UNLOADING AUGER.....	130-38	
4H22	UNLOADING AUGER DRIVE LINKAGE .....	130-48	
4I1	UNLOADING AUGER HOUSING.....	130-52	
2H15	UNLOADING AUGER HYDRAULIC LINES.....	70-36	
4I15	UNLOADING AUGER LOWER SUPPORT .....	130-66	
3C18	UNLOADING AUGER SWING CONTROL LINKAGE .....	90-36	
4I13	UNLOADING AUGER SWING HYDRAULIC CYLINDER MOUNTING .....	130-64	
4I3	UNLOADING AUGER, OUTER .....	130-54	
4I9	UNLOADING AUGER, OUTER, DRIVE.....	130-60	
4I11	UNLOADING AUGER, OUTER, DRIVE.....	130-62	
4I7	UNLOADING AUGER, OUTER, DRIVE GEAR CASE .....	130-58	
4H18	UNLOADING DRIVE, GRAIN TANK .....	130-44	
4H20	UNLOADING DRIVE, GRAIN TANK .....	130-46	
4D13	UPPER FAN VARIATOR DRIVE .....	120-58	
2J15	UPPER TAILINGS ELEVATOR GUARD .....	80-28	
<b>V</b>			
1B18	VALVE SEATS(6359D).....	20-14	
1B19	VALVE SEATS(6359T).....	20-15	
2C1	VALVE, HYDROSTATIC MOTOR .....	50-20	
1B18	VALVES(6359D) .....	20-14	
1B19	VALVES(6359T) .....	20-15	
4B22	VARIABLE CYLINDER SHEAVES, POSI TORQ .....	120-16	
4B24	VARIABLE CYLINDER SHEAVES, REDUCTION TRANSMISSION.....	120-18	
4C1	VARIABLE CYLINDER SUSPENSION .....	120-20	
4C4	VARIABLE DRIVE WITH CENTER OIL SUPPLY FOR BEATER.....	120-24	
2H17	VARIABLE DRIVE WITH CENTER OIL SUPPLY FOR BEATER HYDRAULIC LINE .....	70-38	
4D17	VARIABLE SHEAVES, LOWER FAN .....	120-62	
1B15	VENT TUBE .....	20-11	
3D5	VISOR AND DOOR HANDLE .....	90-48	
<b>W</b>			
1H3	WARNING LIGHTS.....	40-40	