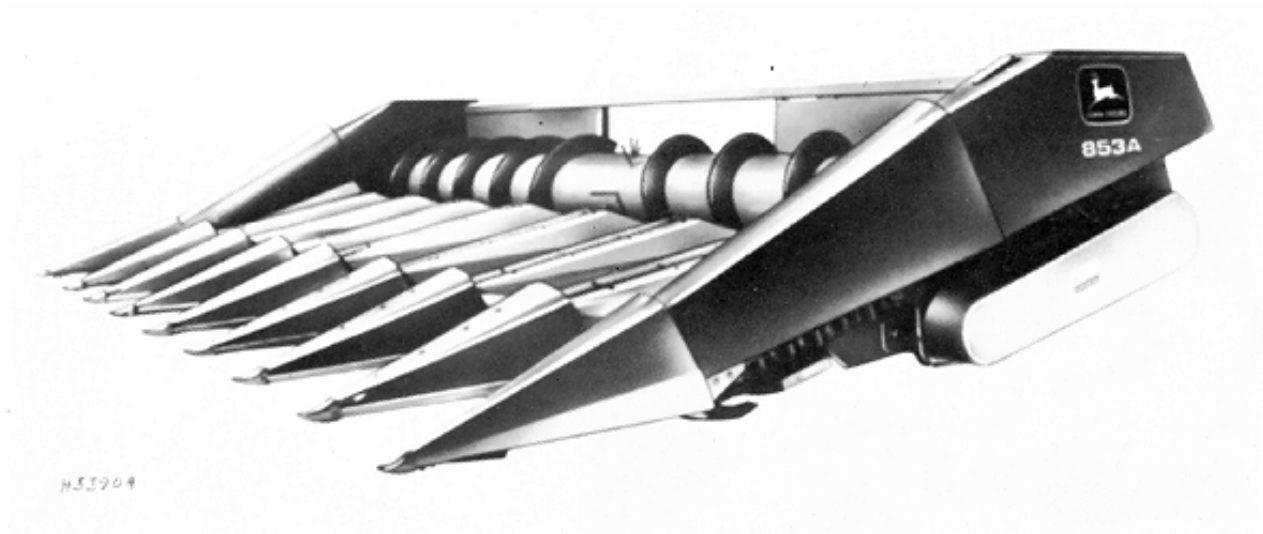


H33904

-UN-01JAN94



JOHN DEERE 853A ROW-CROP HEAD

(SPECIFICATIONS AND DESIGN SUBJECT TO CHANGE WITHOUT NOTICE)

DATE OF MANUFACTURE

MODEL NO.	DATE
453A	(1980-1982)
454A	(1980-1998)
653A	(1980-)
654A	(1980-1999)
655A	(1982-1989)
853A	(1980-)
854A	(1983-1989)
1253A	(1983-1989)

SERIAL NUMBER PLATE

USE ALL NUMBERS, LETTERS, AND SPACES SHOWN ON THE SERIAL NUMBERPLATE IN WARRANTY CORRESPONDENSE.

ROW-CROP HEADS (-575900)

ON THESE ROW-CROP HEADS, THE SERIAL NUMBER PLATE IS LOCATED ON THE LEFT-HAND SIDE SHEET.

EXAMPLE: E0653A575900H

E - EQUIPMENT
0653A - ROW-CROP HEAD MODEL
575900 - ROW-CROP HEAD SERIAL NUMBER
H - FACTORY (HARVESTER WORKS)

ROW-CROP HEADS (575901-)

ON THESE ROW-CROP HEADS, THE SERIAL NUMBER PLATE IS LOCATED ON THE LEFT HAND SIDE SHEET.

*EXAMPLE: H0653AX575901
ROW-CROP HEAD*

(FIRST LINE) H0 - FACTORY (HARVESTER WORKS)
653A - ROW-CROP HEAD MODEL
X - CONFIGURATION/MODEL SUFFIX
575901 - ROW-CROP HEAD SEQUENCE NUMBER (SERIAL NUMBER)
(SECOND LINE) ROW-CROP - PRODUCT TYPE

SERIAL NUMBER LISTING INFORMATION

SERIAL NUMBER INFORMATION IS LISTED TO SHOW ON WHICH MACHINES EACH PART CAN BE USED; FOR EXAMPLE:

- THE PART CAN BE USED ON ALL MACHINES.
000000- THE PART CAN BE USED ON ALL MACHINES BEGINNING WITH THE SERIAL NUMBER LISTED.
-000000 THE PART CAN BE USED ON ALL MACHINES UP TO AND INCLUDING THE SERIAL NUMBER LISTED.
000000-000000 THE PART CAN BE USED ON ALL MACHINES BETWEEN AND INCLUDING THE SERIAL NUMBERS LISTED.

WHEN XXXXXX'S ARE LISTED IN PLACE OF A SERIAL NUMBER, A SERIAL NUMBER CHANGE WAS MADE BUT THE EXACT SERIAL NUMBER WAS NOT AVAILABLE WHEN THE CATALOG WAS PRODUCED.

*COPYRIGHT (C) 2000. DEERE & COMPANY. MOLINE, ILLINOIS
ALL RIGHTS RESERVED*

DIRECTION ARROW

ARROWS ARE USED WITH ILLUSTRATIONS TO INDICATE THE FRONT OF THE UNIT. "RIGHT-HAND" AND "LEFT-HAND" SIDES ARE DETERMINED BY FACING IN THE DIRECTION OF MACHINE FORWARD TRAVEL.

BOX-ENCLOSED ILLUSTRATIONS

A KEY NUMBER, SHOWN IN THE PARTS LIST, IS ASSIGNED TO A BOX ENCLOSING ALL PARTS SOLD AS A SERVICE ASSEMBLY. A BOX NOT KEYED INCLUDES NON-CURRENT PARTS.

KITS

KIT INFORMATION WILL BE FOUND IMMEDIATELY FOLLOWING THE STORY IN WHICH IT IS USED. THE ILLUSTRATION IS REPEATED WITH ONLY THE KIT PARTS CALLED OUT AND WITH ALL OTHER PARTS SHOWN IN PHANTOM.

JDM REMANUFACTURED COMPONENTS

THE SERVICE PARTS LISTED IN THIS CATALOG ARE INTENDED FOR THE REPAIR OF ORIGINAL EQUIPMENT COMPONENTS. ALTHOUGH MOST SERVICE PARTS MAY BE USED TO REPAIR REMANUFACTURED COMPONENTS, THE REMANUFACTURED DESIGN MAY CHANGE PARTS SUFFICIENTLY SO THAT SERVICE PARTS ARE INADEQUATE OR NOT USABLE.

BOLT AND CAP SCREW STRENGTH IDENTIFICATION

BOLTS AND CAP SCREWS REQUIRED TO HAVE HIGH-STRENGTH QUALITIES EQUIVALENT TO SAE GRADE 8 ARE IDENTIFIED THROUGHOUT THIS CATALOG BY THE DESCRIPTION HS SAE 8. ALL STANDARD BOLTS AND CAP SCREWS ARE SAE GRADE 5 OR LOWER. BOLTS AND CAP SCREWS REQUIRED TO HAVE HIGH-STRENGTH QUALITIES EQUIVALENT TO PROPERTY CLASS 10.9 ARE IDENTIFIED THROUGHOUT THIS CATALOG BY THE DESCRIPTION HS 10.9. ALL STANDARD BOLTS AND CAP SCREWS ARE PROPERTY CLASS 8.8 OR LOWER.

SI UNITS OF MEASURE

METRIC DIMENSIONS ARE GIVEN, WHERE APPLICABLE, THROUGHOUT THIS PARTS CATALOG.

TRADEMARKS

THROUGHOUT THIS PARTS CATALOG, YOU WILL FIND THE FOLLOWING DEERE & COMPANY TRADEMARKS:

DIAL-A-SPEED™
DIAL-A-MATIC™
HARVESTRAK™

POSI-TORQ™
TORQ-GARD SUPREME®
QUIK-TATCH™

CHANGE INDICATOR LINE

CHANGES AFFECTING THE ORDERING OF PARTS ARE IDENTIFIED BY VERTICAL LINES MARKED IN THE LEFT-HAND MARGIN OF REVISED PARTS LISTING IMAGES. A LINE IS ALSO AT THE LEFT-HAND EDGE OF THE SAME PART NUMBER IN THE NUMERICAL INDEX TO SHOW THE LOCATION OF REVISED INFORMATION.

FUNCTION CODE

(EXAMPLE - FC: 5000)

FUNCTION CODES ARE LOCATED ON EACH PAGE IN THE UPPER RIGHT-HAND CORNER ON THE TITLE LINE. THE CODE LISTED IS A GROUPING CODE THAT CAN BE USED FOR WARRANTIES AND FOR DTAC TO IDENTIFY CERTAIN AREAS.

COMPLETE GOODS LISTINGS

COMPLETE GOODS ARE IN BOLD FACE TYPE. ORDER SEPARATELY. DO NOT INCLUDE ON REPLACEMENT PARTS ORDER.

ALPHABETICAL INDEX

GRID		PAGE	GRID		PAGE
	A				
J23	ACTUATOR, AUTO HEIGHT SENSING LINKAGE (685101-)	156	G8	CHAIN DRIVE IDLER,R.H.AND L.H.GATHERER (655100-)	66
J21	ACTUATOR, HEIGHT SENSING LINKAGE (575901-655099)	154	G5	CHAIN DRIVE, GATHERER (-655099)	63
J15	ADAPTOR, BACK SHAFT - NEW HEADS TO OLD LEVEL LAND COMBINES.....	148	G6	CHAIN DRIVE, GATHERER (655100-)	64
G19	AUGER AND SHAFT (-655099)	78	G4	CHAIN, GATHERER	62
G21	AUGER AND SHAFT (655100-)	80	I2	CHAIN, RH DRIVE 653A (685101-)	107
H11	AUGER DRIVE (-655099)	94	I4	CHAIN, RH DRIVE 853A (685101-)	109
H13	AUGER DRIVE (655100-)	96	I7	CHAIN, ROW UNIT DRIVE (854A, 1253A)(-630100)	112
H9	AUGER FLIGHT EXTENSIONS (454A,653A,654A,853A)(-655100)	92	I20	CHAIN, ROW UNIT DRIVE SPROCKET, L.H. (854A, 1253A)(-630100)	126
H10	AUGER FLIGHT EXTENSIONS (454A,653A,654A,853A)(655101-)	93	I2	CLUTCH, SLIP RH DRIVE 653A (685101-)	107
J23	AUTOMATIC HEIGHT SENSING LINKAGE (685101-)	156	I4	CLUTCH, SLIP RH DRIVE 853A (685101-)	109
J18	AUTOMATIC HEIGHT SENSOR ASSEMBLY	151	J14	CONTOUR MASTER DRIVE SHAFT	146
	B		J23	CONTROL, AUTOMATIC HEIGHT SENSING (685101-)	156
J15	BACK SHAFT ADAPTOR - NEW HEADS TO OLD LEVEL LAND COMBINES.....	148	J17	CONTROL, DIAL-A-MATIC HEADER HEIGHT (525351-655099)	150
H3	BEARINGS, CROSS AUGER (854A, 1253A)(-630100)	86	J21	CONTROL, DIAL-A-MATIC HEADER HEIGHT (575901-655099)	154
G23	BEARINGS, CROSS AUGER(453A, 454A, 653A) (654A, 655A, 853A)(-655099)	82	F24	COUPLER, ROW UNIT DRIVE (-655099)(453A, 454A, 653A)	57
H1	BEARINGS, CROSS AUGER(454A, 653A) (654A, 853A)(655100-)	84	F24	COUPLER, ROW UNIT DRIVE (-655099)(654A, 655A, 853A)	57
G11	BEARINGS, KNIFE (454A, 653A) (654A, 853A)(655100-)	70	F25	COUPLER, ROW UNIT DRIVE (655100-)(454A, 653A)	58
G9	BEARINGS, KNIFE(453A, 454A, 653A) (654A, 655A, 853A)(-655099)	68	F25	COUPLER, ROW UNIT DRIVE (655100-)(654A, 853A)	58
J17	BOX, SENSING (525351-655099)	150	G1	COUPLER, ROW UNIT DRIVE (854A AND 1253A)(-630100)	59
K6	BRACKET, STUBBLE LIGHT (-655099)	164	G19	COVER, AUGER AND SHAFT (-655099)	78
K7	BRACKET, STUBBLE LIGHT (655100-)	165	G21	COVER, AUGER AND SHAFT (655100-)	80
F17	BRACKETS AND ROW UNIT FRAME (-655099)	50	H3	CROSS AUGER BEARINGS (854A, 1253A)(-630100)	86
F19	BRACKETS AND ROW UNIT FRAME (655100-)	52	G23	CROSS AUGER BEARINGS(453A, 454A, 653A) (654A, 655A, 853A)(-655099)	82
H5	BRACKETS, CROSS AUGER (-655099)	88	H1	CROSS AUGER BEARINGS(454A, 653A) (654A, 853A)(655100-)	84
H7	BRACKETS, CROSS AUGER (655100-)	90	H5	CROSS AUGER BRACKETS (-655099)	88
	C		H7	CROSS AUGER BRACKETS (655100-)	90
F11	CENTER GATHERER POINTS (-655099)	42	H3	CROSS AUGER FINGERS (854A, 1253A)(-630100)	86
F13	CENTER GATHERER POINTS (655100-)	44	G23	CROSS AUGER FINGERS(453A, 454A, 653A) (654A, 655A, 853A)(-655099)	82
F15	CENTER GATHERER SHIELDS (-655099)	47	H1	CROSS AUGER FINGERS(454A, 653A) (654A, 853A)(655100-)	84
F16	CENTER GATHERER SHIELDS (655100-)	48	H3	CROSS AUGER SHAFTS (854A, 1253A)(-630100)	86
G7	CHAIN DRIVE IDLER,R.H.AND L.H.GATHERER (-655099)	65	G23	CROSS AUGER SHAFTS(453A, 454A, 653A) (654A, 655A, 853A)(-655099)	82
			H1	CROSS AUGER SHAFTS(454A, 653A) (654A, 853A)(655100-)	84
				D	
			K8	DECAL, RANGE INDICATOR (-655099)	166

**Thanks very much for your reading,
Want to get more information,
Please click here, Then get the complete
manual**

JustClickHere 

NOTE:

**If there is no response to click on the link above,
please download the PDF document first, and then
click on it.**

**Have any questions please write to me:
admin@servicemanualperfect.com**

ALPHABETICAL INDEX - CONTINUED

GRID		PAGE	GRID		PAGE
K9	DECAL, RANGE INDICATOR (655100-)	167	H17	DRIVE, ROW UNIT - R.H.(453A, 454A, 653A) (654A, 655A, 853A)(-655099)	100
K16	DECALS	174	H19	DRIVE, ROW UNIT - R.H.(453A, 454A, 653A) (654A, 853A)(655100-)	102
F21	DEFLECTORS, ROCK (-660100)	54	H21	DRIVE, ROW UNIT - R.H.(454A, 653A) (654A, 853A)(655100-)	104
K2	DIAL-A-MATIC HD. HGT. CONTROL, WIRING HARNES (615401-640100)	160	G17	DRIVES AND ROTATING KNIFE (854A, 1253A)(-630100)	76
J17	DIAL-A-MATIC HEADER HEIGHT CONTROL (525351-655099)	150	G13	DRIVES, KNIFE (453A, 454A, 653A) (654A, 655A, 853A)(-655099)	72
J21	DIAL-A-MATIC HEADER HEIGHT CONTROL (575901-655099)	154	G15	DRIVES, KNIFE(454A, 653A, 654A, 853A) (655100-)	74
K1	DIAL-A-MATIC HEADER HGT, WIRING HARNES (525351-615400)	159	E		
I22	DRIVE - ROW UNIT, L.H. (854A, 1253A) (-630100)	128	H9	EXTENSIONS, FLIGHT, AUGER (454A,653A,654A,853A)(-655100)	92
J14	DRIVE SHAFT FOR LEVEL LAND AND CONTOUR MASTER	146	H10	EXTENSIONS, FLIGHT, AUGER (454A,653A,654A,853A)(655101-)	93
J10	DRIVE SHAFT, HEADER - SIDEHILL (-615150) (6600/6620 COMBINES)	142	F		
J12	DRIVE SHAFT, HEADER - SIDEHILL -WEASLER (645101-) 9500SH COMBINE	144	H3	FINGERS, CROSS AUGER (854A, 1253A)(-630100)	86
J11	DRIVE SHAFT, HEADER-SIDEHILL (615151-640700) (6600/6620 COMBINES)	143	G23	FINGERS, CROSS AUGER(453A, 454A, 653A) (654A, 655A, 853A)(-655099)	82
K11	DRIVE SHIELDS, ROW-CROP (-575900)	169	H1	FINGERS, CROSS AUGER(454A, 653A) (654A, 853A)(655100-)	84
K12	DRIVE SHIELDS, ROW-CROP (575901-655099)	170	H9	FLIGHT, AUGER, EXTENSIONS (454A,653A,654A,853A)(-655100)	92
K13	DRIVE SHIELDS, ROW-CROP (655100-)	171	H10	FLIGHT, AUGER, EXTENSIONS (454A,653A,654A,853A)(655101-)	93
H11	DRIVE, AUGER (-655099)	94	G2	FLOAT SPRING AND MOUNTING (-655099)	60
H13	DRIVE, AUGER (655100-)	96	G3	FLOAT SPRING AND MOUNTING (655100-)	61
G5	DRIVE, GATHERER CHAIN (-655099)	63	E8	FRAME, MAIN (453A AND 454A) (-655099)	12
G6	DRIVE, GATHERER CHAIN (655100-)	64	E10	FRAME, MAIN (454A) (655100-)	14
I17	DRIVE, LH 653A (685101-)	122	E16	FRAME, MAIN (653A, 654A, 655A, 853A) (-575900)	20
I18	DRIVE, LH 853A (685101-)	124	E18	FRAME, MAIN (653A, 654A, 655A, 853A) (575901-655399)	22
I19	DRIVE, LH 853A (685101-)	125	E20	FRAME, MAIN (653A, 654A, 853A) (655400-)	24
I1	DRIVE, RH 653A (685101-)	106	F1	FRAME, MAIN (854A AND 1253A) (-630100)	30
I2	DRIVE, RH 653A (685101-)	107	F3	FRAME, MAIN (854A AND 1253A) (-630100)	32
I3	DRIVE, RH 853A (685101-)	108	F17	FRAME, ROW UNIT (-655099)	50
I4	DRIVE, RH 853A (685101-)	109	F19	FRAME, ROW UNIT (655100-)	52
I13	DRIVE, ROW UNIT - L.H. (655400-)(653A, 654A, 853A)	118	G		
I15	DRIVE, ROW UNIT - L.H. (655400-)(653A, 654A, 853A)	120	G4	GATHERER CHAIN	62
J6	DRIVE, ROW UNIT - L.H. (SIDEHILL) (645101-655399)(653A) 9500SH COMBINE	138	G5	GATHERER CHAIN DRIVE (-655099)	63
J5	DRIVE, ROW UNIT - L.H. (SIDEHILL) (653A) (6600 & 6620 COMBINES)	136	G6	GATHERER CHAIN DRIVE (655100-)	64
J8	DRIVE, ROW UNIT - L.H. (SIDEHILL) (655400-)(653A) 9500SH COMBINES	140	G7	GATHERER CHAIN DRIVE IDLER,R.H.-L.H. (-655099)	65
I9	DRIVE, ROW UNIT - L.H.(653A, 654A) (655A, 853A)(-655399)	114			
I11	DRIVE, ROW UNIT - L.H.(653A, 654A) (655A, 853A)(-655399)	116			
I24	DRIVE, ROW UNIT - R.H. (SIDEHILL) (6600 AND 6620 COMBINES)(454A, 653A)	130			
J1	DRIVE, ROW UNIT - R.H. (SIDEHILL) (9500SH COMBINE) (653A)	132			
J3	DRIVE, ROW UNIT - R.H. (SIDEHILL) (9500SH COMBINES) (653A)	134			
H15	DRIVE, ROW UNIT - R.H.(453A, 454A, 653A) (654A, 655A, 853A)(-655099)	98			

ALPHABETICAL INDEX - CONTINUED

GRID		PAGE	GRID		PAGE
G8	GATHERER CHAIN DRIVE IDLER,R.H.-L.H. (655100-)	66	K9	INDICATOR, HEIGHT RANGE (655100-)	167
F11	GATHERER POINTS, CENTER (-655099)	42		K	
F13	GATHERER POINTS, CENTER (655100-)	44	K10	KEY STOCK, METRIC KIT	168
F5	GATHERER POINTS, OUTER (-655099)	34	K10	KIT, METRIC KEY STOCK	168
F6	GATHERER POINTS, OUTER (655100-)	35	G11	KNIFE AND BEARINGS (454A, 653A) (654A, 853A)(655100-)	70
F7	GATHERER SHEETS, OUTER (-655099)	36	G9	KNIFE AND BEARINGS(453A, 454A, 653A) (654A, 655A, 853A)(-655099)	68
F8	GATHERER SHEETS, OUTER (655100-)	37	G17	KNIFE AND DRIVES, ROTATING (854A, 1253A)(-630100)	76
F15	GATHERER SHIELDS, CENTER (-655099)	47	G13	KNIFE DRIVE (453A, 454A, 653A) (654A, 655A, 853A)(-655099)	72
F16	GATHERER SHIELDS, CENTER (655100-)	48	G15	KNIFE DRIVE(454A 653A, 654A, 853A) (655100-)	74
F9	GATHERER SHIELDS, OUTER (-655099)	39	G11	KNIFE, ROTATING (454A, 653A) (654A, 853A)(655100-)	70
F10	GATHERER SHIELDS, OUTER (655100-)	40	G9	KNIFE, ROTATING(453A, 454A, 653A) (654A, 655A, 853A)(-655099)	68
	H		G11	KNIFE, STATIONARY (454A, 653A) (654A, 853A)(655100-)	70
K3	HARNESS, MARKER LIGHT (640101-655099)	161	G9	KNIFE, STATIONARY(453A, 454A, 653A) (654A, 655A, 853A)(-655099)	68
K4	HARNESS, MARKER LIGHT (655100-)	162		L	
K6	HARNESS, STUBBLE LIGHT (-655099)	164	J14	LEVEL LAND DRIVE SHAFT	146
K7	HARNESS, STUBBLE LIGHT (655100-)	165	I17	LH DRIVE, 653A (685101-)	122
J25	HARNESS, WIRING (AUTO.HDR.HGT.CONTROL) (-525350)	158	I18	LH DRIVE, 853A (685101-)	124
K1	HARNESS, WIRING, DIAL-A-MATIC HEADER HGT (525351-615400)	159	K3	LIGHT, MARKER, HARNESS (640101-655099)	161
K2	HARNESS, WIRING, DIAL-A-MATIC HEADER HGT CONTROL (615401-640100)	160	K4	LIGHT, MARKER, HARNESS (655100-)	162
J10	HEADER DRIVE SHAFT - SIDEHILL (-615150) (6600/6620 COMBINES)	142	K5	LIGHTS, MARKER	163
J12	HEADER DRIVE SHAFT - SIDEHILL - WEASLER (645101-) 9500SH COMBINE	144	J23	LINKAGE, AUTOMATIC HEIGHT SENSING (685101-)	156
J11	HEADER DRIVE SHAFT-SIDEHILL (615151-640700) (6600/6620 COMBINES)	143	J19	LINKAGE, HEIGHT SENSING (AHHC) (-575900)	152
K8	HEIGHT RANGE INDICATOR (-655099)	166	J21	LINKAGE, HEIGHT SENSING (DIAL-A-MATIC) (575901-655099)	154
K9	HEIGHT RANGE INDICATOR (655100-)	167		M	
J19	HEIGHT SENSING LINKAGE (AHHC) (-575900)	152	E8	MAIN FRAME (453A AND 454A) (-655099)	12
J21	HEIGHT SENSING LINKAGE (DIAL-A-MATIC) (575901-655099)	154	E10	MAIN FRAME (454A) (655100-)	14
J18	HEIGHT SENSOR, AUTOMATIC	151	E16	MAIN FRAME (653A, 654A, 655A, 853A) (-575900)	20
G17	HOUSING, ROTATING KNIFE AND DRIVES (854A, 1253A)(-630100)	76	E18	MAIN FRAME (653A, 654A, 655A, 853A) (575901-655399)	22
	I		E20	MAIN FRAME (653A, 654A, 853A) (655400-)	24
G7	IDLER,R.H.AND L.H.GATHERER CHAIN DRIVE (-655099)	65	F1	MAIN FRAME (854A AND 1253A) (-630100)	30
G8	IDLER,R.H.AND L.H.GATHERER CHAIN DRIVE (655100-)	66	F3	MAIN FRAME (854A AND 1253A) (-630100)	32
K8	INDICATOR, HEIGHT RANGE (-655099)	166	E22	MAIN FRAME STRIPPERS, SHEETS AND REINFORCEMENT (653A, 654A, 655A, 853A)	26
			E24	MAIN FRAME STRIPPERS, SHEETS AND REINFORCEMENT (653A, 654A, 853A)	28

ALPHABETICAL INDEX - CONTINUED

GRID		PAGE	GRID		PAGE
E12	MAIN FRAME STRIPPERS, SHEETS, AND REINFORCEMENT (-655099) (453A)	16	E22	REINFORCEMENT, MAIN FRAME (653A,654A,655A,853A) (575901-655399)	26
E12	MAIN FRAME STRIPPERS, SHEETS, AND REINFORCEMENT (-655099) (454A)	16	E14	REINFORCEMENT, MAIN FRAME (655100-) (454A)	18
E14	MAIN FRAME STRIPPERS, SHEETS, AND REINFORCEMENT (655100-) (454A)	18	E24	REINFORCEMENT, MAIN FRAME (655400-) (653A, 654A, 853A)	28
K3	MARKER LIGHT HARNESS (640101-655099)	161	F1	REINFORCEMENT, MAIN FRAME (854A - 1253A) (-630100)	30
K4	MARKER LIGHT HARNESS (655100-)	162	F3	REINFORCEMENT, MAIN FRAME (854A - 1253A) (-630100)	32
K5	MARKER LIGHTS	163	I2	RH DRIVE, 653A (685101-)	107
K10	METRIC KEY STOCK KIT.....	168	I4	RH DRIVE, 853A (685101-)	109
J16	MOUNTING (AUTO.HDR.HGT.CONTROL) (-525350)	149	F21	ROCK DEFLECTORS (-660100)	54
G2	MOUNTING AND FLOAT SPRING (-655099)	60	G11	ROTATING KNIFE (454A, 653A) (654A, 853A)(655100-)	70
G3	MOUNTING AND FLOAT SPRING (655100-)	61	G17	ROTATING KNIFE AND DRIVES (854A, 1253A)(-630100)	76
F24	MOUNTING, ROW UNIT DRIVE (-655099) (654A, 655A, 853A)	57	G9	ROTATING KNIFE(453A, 454A, 653A) (654A, 655A, 853A)(-655099)	68
F24	MOUNTING, ROW UNIT DRIVE (-655099)(453A, 454A, 653A)	57	I13	ROW UNIT DRIVE - L.H. (655400-)(653A, 654A, 853A)	118
F25	MOUNTING, ROW UNIT DRIVE (655100-)(454A, 653A)	58	I15	ROW UNIT DRIVE - L.H. (655400-)(653A, 654A, 853A)	120
F25	MOUNTING, ROW UNIT DRIVE (655100-)(654A, 853A)	58	J6	ROW UNIT DRIVE - L.H. (SIDEHILL) (645101-655399)(653A) 9500SH COMBINE.....	138
G1	MOUNTING, ROW UNIT DRIVE (854A AND 1253A)(-630100)	59	J5	ROW UNIT DRIVE - L.H. (SIDEHILL) (653A) (6600 & 6620 COMBINES)	136
O					
F5	OUTER GATHERER POINTS (-655099)	34	J8	ROW UNIT DRIVE - L.H. (SIDEHILL) (655400-)(653A) 9500SH COMBINES	140
F6	OUTER GATHERER POINTS (655100-)	35	I9	ROW UNIT DRIVE - L.H.(653A, 654A) (655A, 853A)(-655399)	114
F9	OUTER GATHERER SHIELDS (-655099)	39	I11	ROW UNIT DRIVE - L.H.(653A, 654A) (655A, 853A)(-655399)	116
F10	OUTER GATHERER SHIELDS (655100-)	40	I24	ROW UNIT DRIVE - R.H. (SIDEHILL) (6600 AND 6620 COMBINES) (454A, 653A)	130
F7	OUTER GATHERERER SHEETS (-655099)	36	J1	ROW UNIT DRIVE - R.H. (SIDEHILL) (9500SH COMBINE) (653A)	132
F8	OUTER GATHERERER SHEETS (655100-)	37	J3	ROW UNIT DRIVE - R.H. (SIDEHILL) (9500SH COMBINES) (653A)	134
P					
F11	POINTS, CENTER GATHERER (-655099)	42	H15	ROW UNIT DRIVE - R.H.(453A, 454A, 653A) (654A, 655A, 853A)(-655099)	98
F13	POINTS, CENTER GATHERER (655100-)	44	H17	ROW UNIT DRIVE - R.H.(453A, 454A, 653A) (654A, 655A, 853A)(-655099)	100
F5	POINTS, OUTER GATHERER (-655099)	34	H19	ROW UNIT DRIVE - R.H.(453A, 454A, 653A) (654A, 853A)(655100-)	102
F6	POINTS, OUTER GATHERER (655100-)	35	H21	ROW UNIT DRIVE - R.H.(454A, 653A) (654A, 853A)(655100-)	104
R					
K8	RANGE INDICATOR, HEIGHT (-655099)	166	F24	ROW UNIT DRIVE COUPLER (-655099) (654A, 655A, 853A)	57
K9	RANGE INDICATOR, HEIGHT (655100-)	167	F24	ROW UNIT DRIVE COUPLER (-655099)(453A, 454A, 653A)	57
E12	REINFORCEMENT, MAIN FRAME (-655099) (453A AND 454A)	16	F25	ROW UNIT DRIVE COUPLER (655100-)(454A, 653A)	58
			F25	ROW UNIT DRIVE COUPLER (655100-)(654A, 853A)	58
			G1	ROW UNIT DRIVE COUPLER (854A AND 1253A)(-630100)	59
			F24	ROW UNIT DRIVE MOUNTING (-655099)(453A, 454A, 653A)	57
			F24	ROW UNIT DRIVE MOUNTING (-655099)(654A, 655A, 853A)	57
			F25	ROW UNIT DRIVE MOUNTING (655100-)(454A, 653A)	58
			F25	ROW UNIT DRIVE MOUNTING (655100-)(654A, 853A)	58

ALPHABETICAL INDEX - CONTINUED

GRID		PAGE	GRID		PAGE
G1	ROW UNIT DRIVE MOUNTING (854A AND 1253A)(-630100)	59	J11	SHAFT, HEADER DRIVE-SIDEHILL (615151-640700) (6600/6620 COMBINES)	143
F24	ROW UNIT DRIVE SHAFT (-655099)(453A, 454A, 653A)	57	I22	SHAFT, L.H. ROW UNIT DRIVE (854A, 1253A)(-630100)	128
F24	ROW UNIT DRIVE SHAFT (-655099)(654A, 655A, 853A)	57	I19	SHAFT, LH DRIVE 853A (685101-)	125
F25	ROW UNIT DRIVE SHAFT (655100-)(454A, 653A)	58	F24	SHAFT, ROW UNIT DRIVE (-655099) 654A, 655A, 853A)	57
F25	ROW UNIT DRIVE SHAFT (655100-)(654A, 853A)	58	F24	SHAFT, ROW UNIT DRIVE (-655099)(453A, 454A, 653A)	57
G1	ROW UNIT DRIVE SHAFT (854A AND 1253A)(-630100)	59	F25	SHAFT, ROW UNIT DRIVE (655100-)(454A, 653A)	58
I7	ROW UNIT DRIVE SHAFT (854A, 1253A)(-630100)	112	F25	SHAFT, ROW UNIT DRIVE (655100-)(654A, 853A)	58
I20	ROW UNIT DRIVE SHAFT, L.H. (854A, 1253A)(-630100)	126	G1	SHAFT, ROW UNIT DRIVE (854A AND 1253A)(-630100)	59
I5	ROW UNIT DRIVE SHAFT, R.H. (854A, 1253A)(-630100)	110	I7	SHAFT, ROW UNIT DRIVE (854A, 1253A)(-630100)	112
I7	ROW UNIT DRIVE SLIP CLUTCH (854A, 1253A)(-630100)	112	I20	SHAFT, ROW UNIT DRIVE, L.H. (854A, 1253A)(-630100)	126
I20	ROW UNIT DRIVE SLIP CLUTCH, L.H. (854A, 1253A)(-630100)	126	H3	SHAFTS, CROSS AUGER (854A, 1253A)(-630100)	86
I20	ROW UNIT DRIVE SPROCKET, L.H. (854A, 1253A)(-630100)	126	G23	SHAFTS, CROSS AUGER(453A, 454A, 653A) (654A, 655A, 853A)(-655099)	82
I5	ROW UNIT DRIVE SPROCKET, R.H. (854A, 1253A)(-630100)	110	H1	SHAFTS, CROSS AUGER(454A, 653A) (654A, 853A)(655100-)	84
I7	ROW UNIT DRIVE SPROCKETS (854A, 1253A)(-630100)	112	E14	SHEET, MAIN FRAME (655100-) (454A)	18
I22	ROW UNIT DRIVE, L.H. (854A, 1253A) (-630100)	128	E12	SHEET, MAIN FRAME (453A AND 454A) (-655099)	16
F17	ROW UNIT FRAME AND BRACKETS (-655099)	50	E22	SHEET, MAIN FRAME (575901-655399) (653A, 654A, 655A, 853A)	26
F19	ROW UNIT FRAME AND BRACKETS (655100-)	52	E16	SHEET, MAIN FRAME (653A,654A,655A,853A) (-575900)	20
K11	ROW-CROP DRIVE SHIELDS (-575900)	169	E24	SHEET, MAIN FRAME (655400-) (653A, 654A, 853A)	28
K12	ROW-CROP DRIVE SHIELDS (575901-655099)	170	F1	SHEET, MAIN FRAME (854A AND 1253A) (-630100)	30
K13	ROW-CROP DRIVE SHIELDS (655100-)	171	F3	SHEET, MAIN FRAME (854A AND 1253A) (-630100)	32
S					
J17	SENSING BOX (525351-655099)	150	F7	SHEETS, OUTER GATHERER (-655099)	36
J23	SENSING LINKAGE, AUTOMATIC HEIGHT (685101-)	156	F8	SHEETS, OUTER GATHERER (655100-)	37
J21	SENSING LINKAGE, HEIGHT (DIAL-A-MATIC) (575901-655099)	154	I2	SHEILDS, RH DRIVE 653A (685101-)	107
J16	SENSING SWITCHES (AUTO.HDR.HGT.CONTROL) (-525350)	149	I4	SHEILDS, RH DRIVE 853A (685101-)	109
J18	SENSOR, AUTOMATIC HEIGHT	151	I19	SHIELD, LH DRIVE 853A (685101-)	125
G19	SHAFT AND AUGER (-655099)	78	G17	SHIELD, ROTATING KNIFE AND DRIVES (854A, 1253A)(-630100)	76
G21	SHAFT AND AUGER (655100-)	80	F15	SHIELDS, CENTER GATHERER (-655099)	47
J15	SHAFT, BACK ADAPTOR - NEW HEADS TO OLD LEVEL LAND COMBINES.....	148	F16	SHIELDS, CENTER GATHERER (655100-)	48
J14	SHAFT, DRIVE, FOR LEVEL LAND AND CONTOUR MASTER	146	F9	SHIELDS, OUTER GATHERER (-655099)	39
I5	SHAFT, DRIVE, ROW UNIT, R.H. (854A, 1253A)(-630100)	110	F10	SHIELDS, OUTER GATHERER (655100-)	40
J10	SHAFT, HEADER DRIVE - SIDEHILL (-615150) (6600/6620 COMBINES)	142	J8	SHIELDS, ROW DRIVE UNIT - L.H. 9500SH (SIDEHILL) (655400-)(653A)	140
J12	SHAFT, HEADER DRIVE - SIDEHILL WEASLER (645101-) 9500SH COMBINE	144	J6	SHIELDS, ROW UNIT DRIVE - L.H. 9500SH (SIDEHILL) (645101-655399)(653A)	138
			J3	SHIELDS, ROW UNIT DRIVE - R.H. (SIDEHILL) (9500SH COMBINES) (653A)	134
			J1	SHIELDS, ROW UNIT DRIVE - R.H. (SIDEHILL)(9500SH COMBINE)(653A)	132
			I24	SHIELDS, ROW UNIT DRIVE - R.H.(SIDEHILL) (6600 AND 6620 COMBINES)(454A, 653A)	130

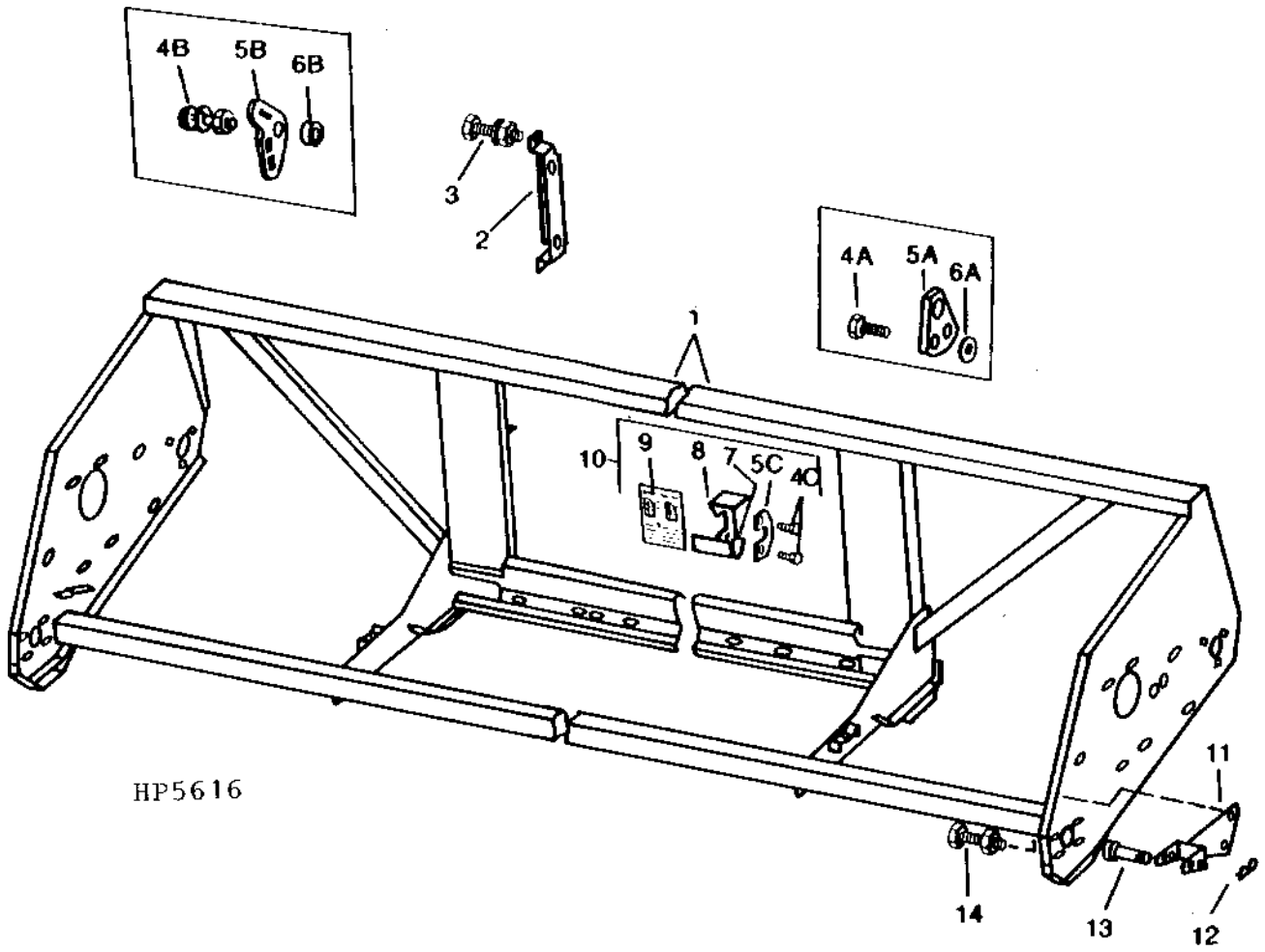
ALPHABETICAL INDEX - CONTINUED

GRID		PAGE	GRID		PAGE
J5	SHIELDS, ROW UNIT DRIVE-L.H. (SIDEHILL) (653A) (6600 & 6620 COMBINES)	136	K14	SUNFLOWER ATTACHMENT (-655099)	172
K11	SHIELDS, ROW-CROP DRIVE (-575900)	169	K15	SUNFLOWER ATTACHMENT (655100-)	173
K12	SHIELDS, ROW-CROP DRIVE (575901-655099)	170	J16	SWITCHES, SENSING (AUTO.HDR.HGT.CONTROL) (-525350)	149
K13	SHIELDS, ROW-CROP DRIVE (655100-)	171		T	
I17	SHIELDS, 653A LH DRIVE (685101-)	122	G13	TIGHTENER, KNIFE DRIVES (655A, 853A)(-655099)	72
F22	SHOES, STUBBLE (-655099)	55	G13	TIGHTENER, KNIFE DRIVES (453A, 454A) (653A, 654A)(-655099)	72
F23	SHOES, STUBBLE (655100-)	56	G15	TIGHTENER, KNIFE DRIVES(454A, 653A) (654A, 853A) (655100-)	74
J10	SIDEHILL - HEADER DRIVE SHAFT (-615150) (6600/6620 COMBINES)	142		W	
J11	SIDEHILL-HEADER DRIVE SHAFT (615151-640700) (6600/6620 COMBINES)	143	J11	WALTERSCHIED HEADER DRIVE SHAFT, S.H. (615151-640700) (6600/6620 COMBINES)	143
J12	SIDEHILL, HEADER DRIVE SHAFT - WEASLER (645101-) 9500SH COMBINE	144	J12	WEASLER HEADER DRIVE SHAFT - SIDEHILL (645101-) 9500SH COMBINE	144
I7	SLIP CLUTCH, ROW UNIT DRIVE (854A, 1253A)(-630100)	112	J25	WIRING HARNESS (AUTO.HDR.HGT.CONTROL) (-525350)	158
I20	SLIP CLUTCH, ROW UNIT DRIVE, L.H. (854A, 1253A)(-630100)	126	K1	WIRING HARNESS, DIAL-A-MATIC HEADER HGT (525351-615400)	159
G2	SPRING, FLOAT (-655099)	60	K2	WIRING HARNESS, DIAL-A-MATIC HEADER HGT. CONTROL (615401-640100)	160
G3	SPRING, FLOAT (655100-)	61			
H5	SPROCKET, CROSS AUGER BRACKETS (-655099)	88			
H7	SPROCKET, CROSS AUGER BRACKETS (655100-)	90			
G17	SPROCKET, ROTATING KNIFE AND DRIVES (854A, 1253A)(-630100)	76			
I20	SPROCKET, ROW UNIT DRIVE, L.H. (854A, 1253A)(-630100)	126			
I5	SPROCKET, ROW-UNIT DRIVE, R.H. (854A, 1253A)(-630100)	110			
I7	SPROCKETS, ROW UNIT DRIVE (854A, 1253A)(-630100)	112			
G11	STATIONARY KNIFE (454A, 653A) (654A, 853A)(655100-)	70			
G9	STATIONARY KNIFE(453A, 454A, 653A) (654A, 655A, 853A)(-655099)	68			
E12	STRIPPER, MAIN FRAME (-655099) (453A AND 454A)	16			
E14	STRIPPER, MAIN FRAME (655100-) (454A)	18			
E22	STRIPPER, MAIN FRAME (575901-655399) (653A, 654A, 655A, 853A)	26			
E24	STRIPPER, MAIN FRAME (655400-) (653A, 654A, 853A)	28			
F1	STRIPPER, MAIN FRAME (854A AND 1253A) (-630100)	30			
F3	STRIPPER, MAIN FRAME (854A AND 1253A) (-630100)	32			
K6	STUBBLE LIGHT (-655099)	164			
K7	STUBBLE LIGHT (655100-)	165			
K6	STUBBLE LIGHT HARNESS (-655099)	164			
K7	STUBBLE LIGHT HARNESS (655100-)	165			
F22	STUBBLE SHOES (-655099)	55			
F23	STUBBLE SHOES (655100-)	56			

MEMORANDA

MEMORANDA

MAIN FRAME
(453A - (-610150))
(454A - (-655099))
HP5616 -UN-01JAN94



MAIN FRAME - CONTINUED

(453A - (-610150))

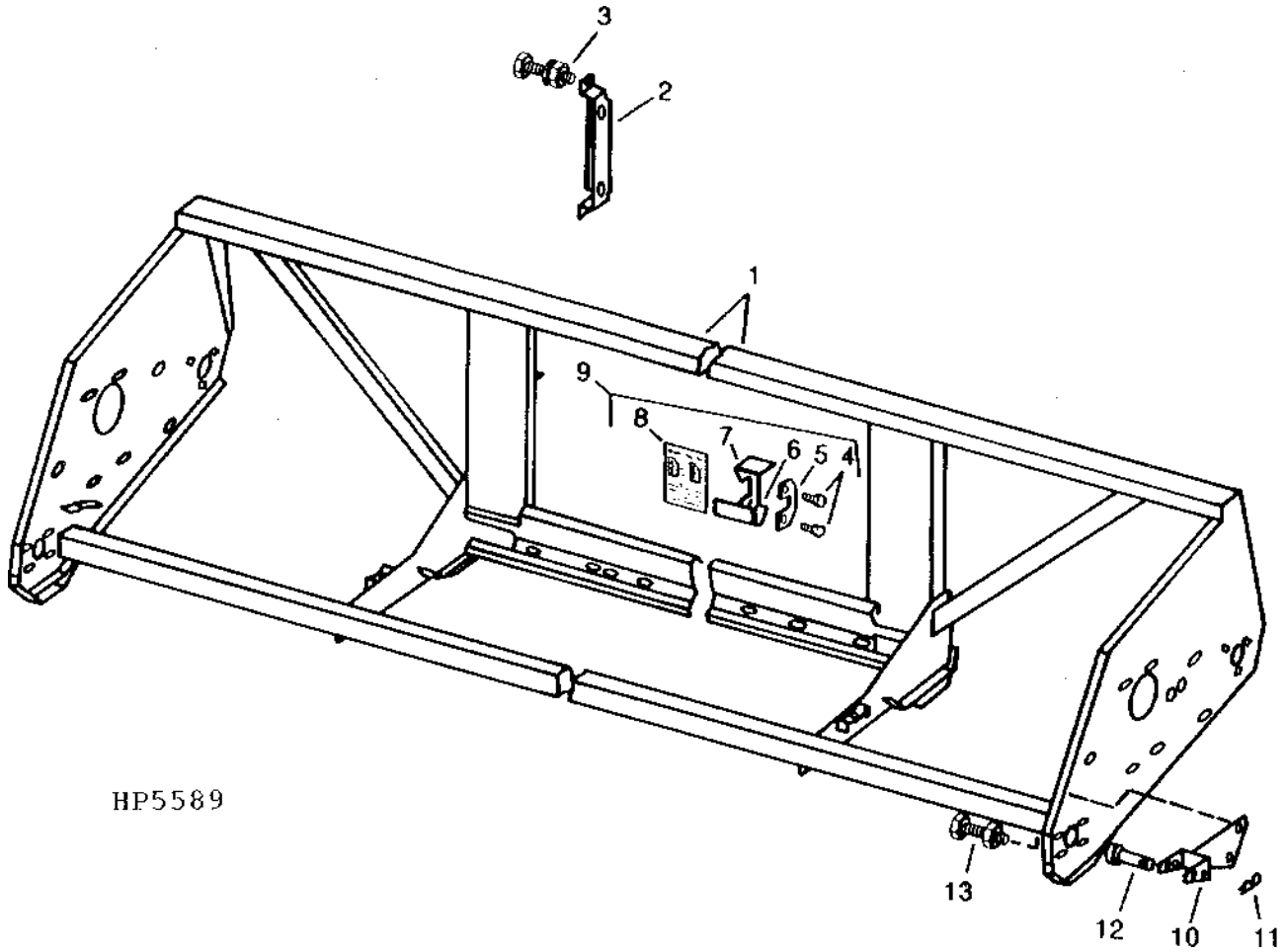
(454A - (-655099))

KEY	PART NO.	PART NAME	QTY	SERIAL NO.	REMARKS
1	AH101467	FRAME	1	-525350	(SUB AH109673) NO LONGER AVAILABLE
	AH109673	FRAME	1	-575900	(SUB AH111361) NO LONGER AVAILABLE
	AH111361	FRAME	1		(453A) NO LONGER AVAILABLE
	AH101468	FRAME	1	-525350	(SUB AH109674)
	AH109674	FRAME	1	-575900	(SUB AH111362)
	AH111362	FRAME	1	-620133	(454A) (SUB AH121536)
	AH121536	FRAME	1	620134-630100	(454A) (SUB AH132339)
	AH132339	FRAME	1	-630122	(454A) (SUB AH135357)
	AH135357	FRAME	1	-640100	(454A) (SUB AH136229)
	AH136229	FRAME	1		(454A)
2	H88591	SUPPORT	1		(453A, -610100;454A, -610200) (SUB AH117531)
	AH117531	SUPPORT	1		R.H. (453A,610101- ;454A,610201-)
3	03H1540	BOLT	AR		5/16" X 3/4"
	A22698	NUT	AR		7.925 MM
4A	09H1587	BOLT	4	-620100	5/8" X 2"
	12H294	LOCK WASHER	4	-620100	5/8"
	14H1039	NUT	4	-620100	5/8"
4B	03H1629	BOLT	6	-630100	5/8" X 2-1/4"
	12H294	LOCK WASHER	6	-630100	5/8"
	14H760	NUT	6	-630100	5/8"
4C	19M7784	SCREW	2		(USE WITH QUIK-TACH OR NEW SERVICE FRAME)
5A	H91615	PLATE	2	-620100	
5B	H133619	BRACKET	1	-630100	R.H.
	H133620	BRACKET	1	-630100	L.H.
5C	H137143	PLATE	1		(USE WITH QUIK-TACH OR NEW SERVICE FRAME)
6A	24H1825	WASHER	4	-620100	11/16" X 1-1/2" X 0.194"
6B	H124261	SPACER	6	-630100	
7	REINFORCEMENT	1		(USE WITH QUIK-TACH OR NEW SERVICE FRAME)
8	PLATE	1		(USE WITH QUIK-TACH OR NEW SERVICE FRAME)
	PLATE	1		(USE WITH QUIK-TACH OR NEW SERVICE FRAME)
9	H136751	DECAL	1		(INSTALLED ON L.H. SIDE OF BACKSHEET ONLY)
10	AH134684	PIN	1		R.H. (LATCH PIN ASSY)
	AH134685	PIN	1		L.H. (LATCH PIN ASSY)
11	AH93540	SUPPORT	2		
12	J16931	SPRING LOCKING PIN	2	-426350	
	M40461	SPRING LOCKING PIN	2	426351-	
13	C1099E	PIN	2		DRILLED
14	19H1936	CAP SCREW	4		3/8" X 3/4"
	12H304	LOCK WASHER	4		3/8"
	14H812	NUT	4		3/8"

E10

50A SERIES ROW-CROP HEADS

MAIN FRAME
(454A) (655100-)
HP5589 -UN-01JAN94



E11

MAIN FRAME - CONTINUED
(454A) (655100-)

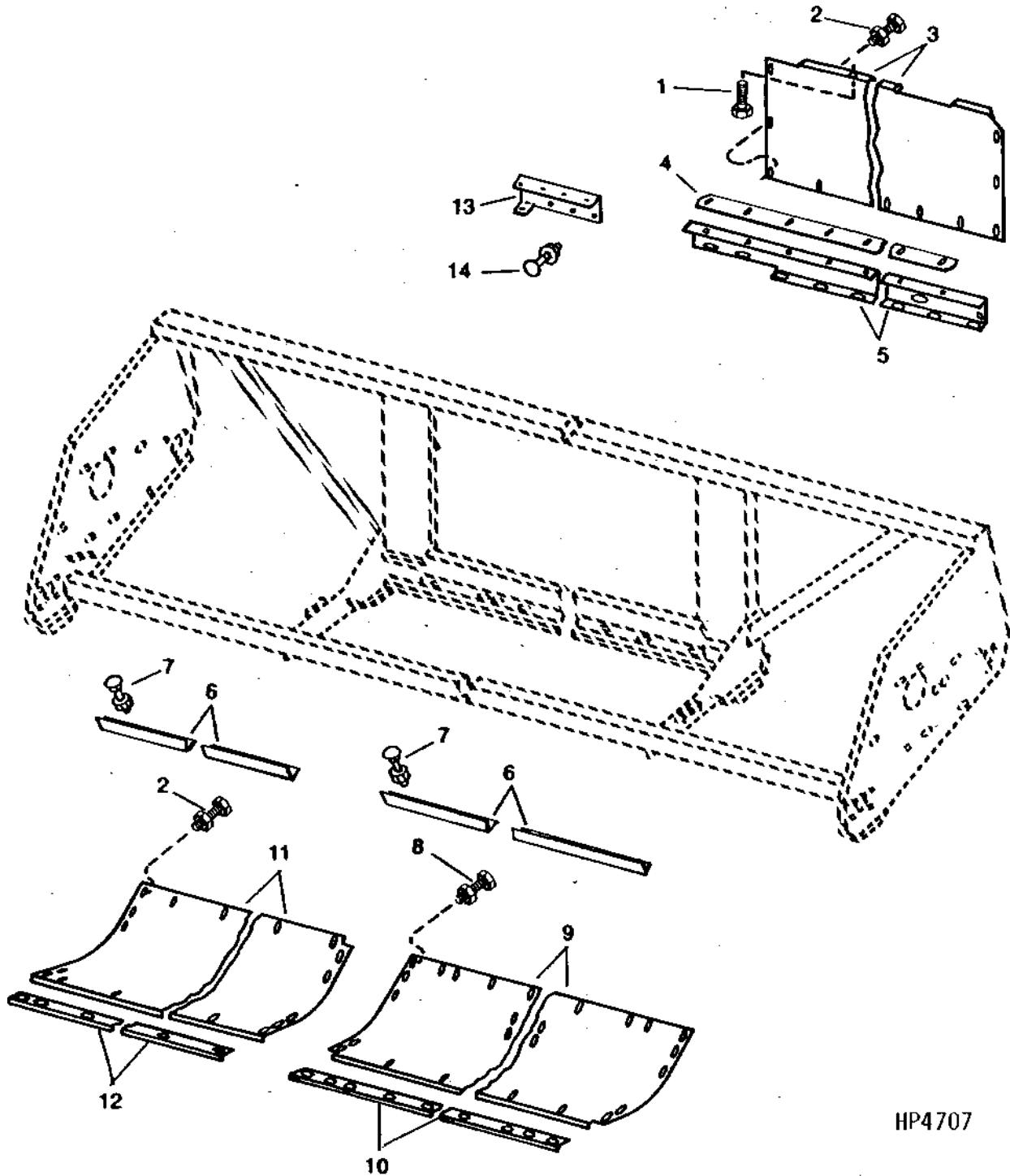
KEY	PART NO.	PART NAME	QTY	SERIAL NO.	REMARKS
1	AH136229	FRAME	1		
2	AH117531	SUPPORT	1	R.H.	
3	03M7184	BOLT	AR	M8 X 20	
	14M7298	FLANGE NUT	AR	M8	
4	19M7784	SCREW	2	(USE WITH QUIK-TACH OR NEW SERVICE FRAME)	
5	H137143	PLATE	1	(USE WITH QUIK-TACH OR NEW SERVICE FRAME)	
6	REINFORCEMENT	1	(USE WITH QUIK-TACH OR NEW SERVICE FRAME)	
7	PLATE	1	(USE WITH QUIK-TACH OR NEW SERVICE FRAME)	
	PLATE	1	(USE WITH QUIK-TACH OR NEW SERVICE FRAME)	
8	H136751	DECAL	1	(INSTALLED ON L.H. SIDE OF BACKSHEET ONLY)	
9	AH134684	PIN	1	R.H. (LATCH PIN ASSY)	
	AH134685	PIN	1	L.H. (LATCH PIN ASSY)	
10	AH93540	SUPPORT	2		
11	M40461	SPRING LOCKING PIN	2		
12	C1099E	PIN	2	DRILLED	
13	19M7784	SCREW	4	M10 X 20	
	12H304	LOCK WASHER	4	3/8"	
	14M7296	FLANGE NUT	4	M10	

E12

50A SERIES ROW-CROP HEADS

SHEETS, STRIPPERS AND REINFORCEMENT ON MAIN FRAME

(453A - (-610150))
(454A - (-655099))
HP4707 -UN-01JAN94



HP4707

SHEETS, STRIPPERS AND REINFORCEMENT ON MAIN FRAME - CONTINUED

(453A - (-610150))

(454A - (-655099))

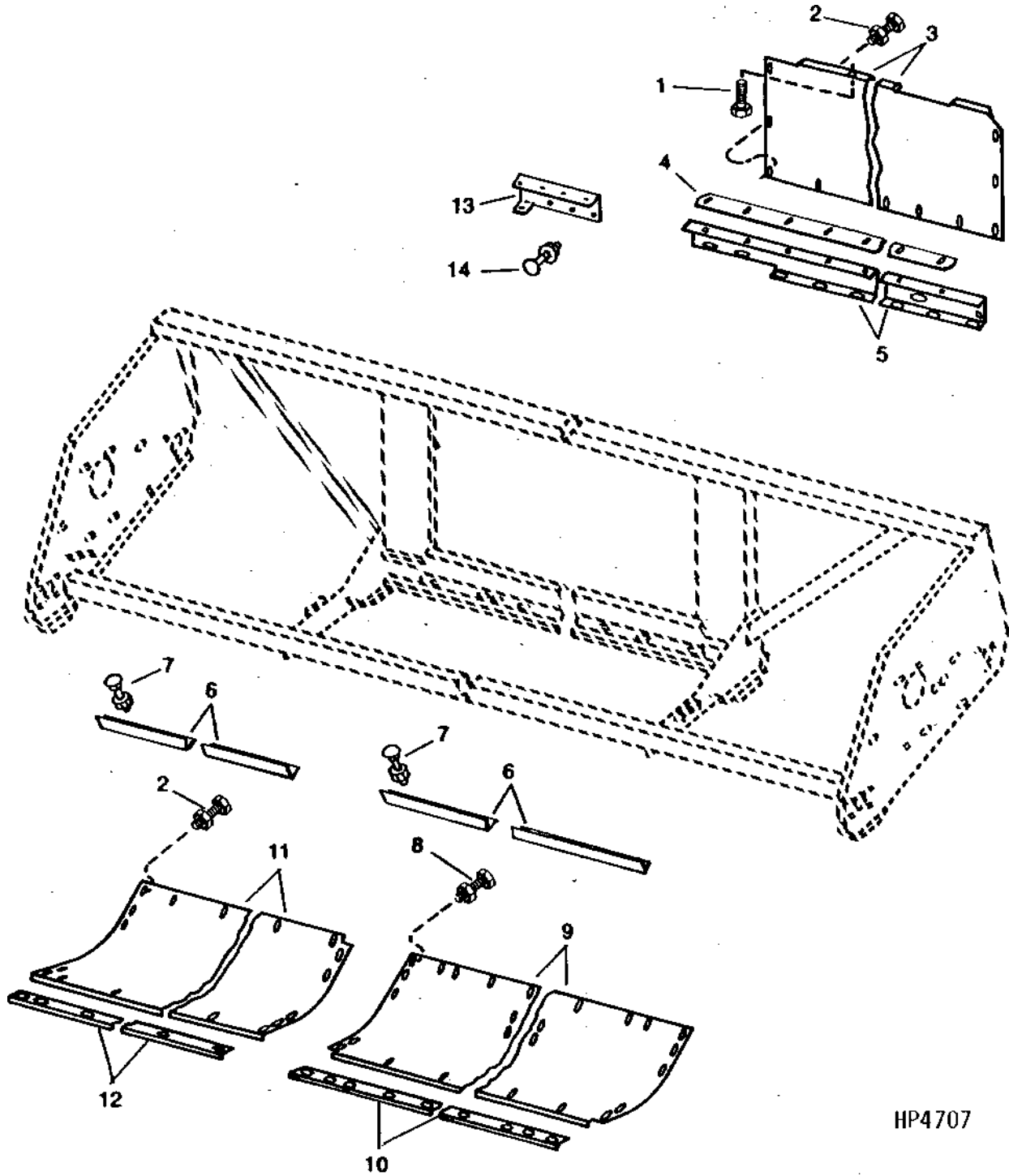
KEY	PART NO.	PART NAME	QTY	SERIAL NO.	REMARKS
1	H65108	SCREW	2		
2	03H1540	BOLT	AR	5/16" X 3/4"	
	A22698	NUT	AR	7.925 MM (5/16")	
3	H88685	SHEET	1		R.H. (453A)
	H96713	SHEET	1	-640100	R.H. (454A) (SUB H141774)
	H141774	SHEET	1		R.H. (454A)
	H88686	SHEET	1	-525350	(SUB H111544)
	H111544	SHEET	1		L.H. (453A)
	H96714	SHEET	1	-525350	(SUB H111545)
	H111545	SHEET	1	-640100	L.H. (454A) (SUB H141775)
	H141775	SHEET	1		L.H. (454A)
4	H135900	STRIPPER	2	620134-	(454A)
5	H88687	STRIPPER	1		R.H. (453A) CUT TO FIT, (SUB H134194)
	H134194	STRIPPER	1		R.H. (453A)
	H96710	STRIPPER	1	-620133	R.H. (454A) (SUB H134192)
	H134192	STRIPPER	1	620134-	R.H. (454A) (SUB H134196) CUT TO FIT
	H88688	STRIPPER	1		L.H. (453A) CUT TO FIT, (SUB H134195)
	H134195	STRIPPER	1		L.H. (453A)
	H96711	STRIPPER	1	-620133	L.H. (454A) (SUB H134193)
	H134193	STRIPPER	1	620134-	L.H. (454A) (SUB H134197) CUT TO FIT
6	H105161	STRIPPER	2		(454A)
7	03H1540	BOLT	13		(454A)
	A22698	NUT	13		7.925 MM (5/16")
8	03H1524	BOLT	AR		5/16" X 1"
	A22698	NUT	AR		7.925 MM (5/16")
9	H88585	SHEET	1	-575900	CENTER (453A)
	H113302	SHEET	1	575901-	CENTER (453A)
	H96712	SHEET	1	-575900	CENTER (454A)
	H113303	SHEET	1	575901-620133	CENTER (454A) (SUB H134204)
	H134204	SHEET	1	-640100	CENTER (454A) (SUB H142095)
	H142095	SHEET	1		(454A)
10	H88587	REINFORCEMENT	1	-575900	CENTER (453A) (NO LONGER AVAILABLE)
	H113291	REINFORCEMENT	1	575901-	CENTER (453A)
	H96707	REINFORCEMENT	1	-575900	CENTER (454A)
	H113292	REINFORCEMENT	1	575901-	CENTER (454A)
11	H88689	SHEET	1	-575900	R.H. (453A) (NO LONGER AVAILABLE)
	H96715	SHEET	1	-575900	R.H. (454A)
	H113304	SHEET	1	575901-	R.H. (454A)
	H88690	SHEET	1	-575900	L.H. (453A) (NO LONGER AVAILABLE)
	H96716	SHEET	1	-575900	L.H. (454A)
	H113305	SHEET	1	575901-	L.H. (454A)
12	H88691	REINFORCEMENT	2	-575900	(453A) (NO LONGER AVAILABLE)
	H96708	REINFORCEMENT	1	-575900	R.H. (454A)
	H113293	REINFORCEMENT	1	575901-	R.H. (454A)
	H96709	REINFORCEMENT	1	-575900	L.H. (454A) (NO LONGER AVAILABLE)
	H113294	REINFORCEMENT	1	575901-	L.H. (454A)
13	H134218	STRIPPER	1		R.H. (EXTENSION)
	H134219	STRIPPER	1		L.H. (EXTENSION)
14	03H1500	BOLT	4		3/8" X 1"
	E55662	FLANGE NUT	4		3/8"

E14

50A SERIES ROW-CROP HEADS

SHEETS, STRIPPERS AND REINFORCEMENT ON MAIN FRAME

(454A) (655100-)
HP4707 -UN-01JAN94



HP4707

E15

50A SERIES ROW-CROP HEADS

SHEETS, STRIPPERS AND REINFORCEMENT ON MAIN FRAME - CONTINUED
(454A) (655100-)

KEY	PART NO.	PART NAME	QTY	SERIAL NO.	REMARKS
1	37M7083	SCREW	2		M8 X 12
2	03M7184	BOLT	AR		M8 X 20
	14M7298	FLANGE NUT	AR		M8
3	H141774	SHEET	1		R.H.
	H141775	SHEET	1		L.H.
4	H135900	STRIPPER	2		
5	H134197	STRIPPER	1		L.H. CUT TO FIT
6	H105161	STRIPPER	2		
7	03M7184	BOLT	13		
	14M7298	FLANGE NUT	13		M8
8	03M7185	BOLT	AR		M8 X 25
	14M7298	FLANGE NUT	AR		M8
9	H142095	SHEET	1		
10	H113292	REINFORCEMENT	1		CENTER
11	H113304	SHEET	1		R.H.
	H113305	SHEET	1		L.H.
12	H113293	REINFORCEMENT	1		R.H.
	H113294	REINFORCEMENT	1		L.H.
13	H134218	STRIPPER	1		R.H. (EXTENSION)
	H134219	STRIPPER	1		L.H. (EXTENSION)
14	03M7191	BOLT	4		M10 X 25
	14M7296	FLANGE NUT	4		M10