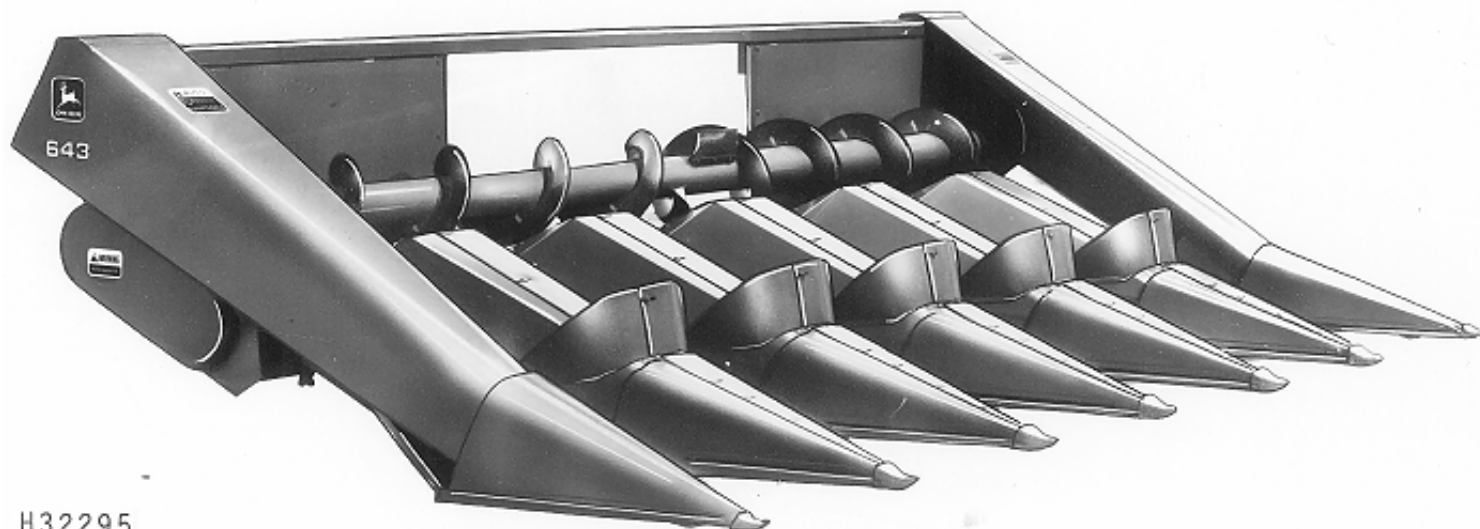


H32295 -UN-01JAN94



H32295

JOHN DEERE 643 CORN HEAD

(SPECIFICATIONS AND DESIGN SUBJECT TO CHANGE WITHOUT NOTICE)

DATE OF MANUFACTURE

MODEL NO.	DATE
243	(1969-1987)
244	(1969-1987)
343	(1969-1987)
344	(1969-1979)
443	(1969-1993)
444	(1969-1993)
543	(1973-1978)(1988-1989)
546	(1970-1993)
642	(1969-1977)
643	(1969-1993)
644	(1969-1993)
645	(1970-1993)
842	(1969-1977)
843	(1969-1993)
844	(1979-1993)
1243	(1980-1993)

SERIAL NUMBER PLATE

USE ALL NUMBERS, LETTERS AND SPACES SHOWN ON THE SERIAL NUMBER PLATE IN WARRANTY CORRESPONDENCE.

CORN HEADS (-567200)

ON THESE CORN HEADS, THE SERIAL NUMBER PLATE IS LOCATED ON THE RIGHT-HAND SIDE OF THE FRAME.

EXAMPLE: E0444567200H

E - EQUIPMENT
0444 - CORN HEAD MODEL
567200 - CORN HEAD SERIAL NUMBER
H - FACTORY (HARVESTER WORKS)

CORN HEADS (567201-)

ON THESE CORN HEADS, THE SERIAL NUMBER PLATE IS LOCATED ON THE RIGHT-HAND SIDE OF THE FRAME

*EXAMPLE: H00444X567201
CORN HEAD*

(FIRST LINE) H0 - FACTORY (HARVESTER WORKS)
 0444 - CORN HEAD MODEL
 X - CONFIGURATION/MODEL SUFFIX
 567201 - CORN HEAD SEQUENCE NUMBER (SERIAL NUMBER)
(SECOND LINE) CORN HEAD - PRODUCT TYPE

*COPYRIGHT (C) 2000. DEERE & COMPANY. MOLINE, ILLINOIS.
ALL RIGHTS RESERVED*

DIRECTION ARROW

ARROWS ARE USED WITH ILLUSTRATIONS TO INDICATE THE FRONT OF THE UNIT. "RIGHT-HAND" AND "LEFT-HAND" SIDES ARE DETERMINED BY FACING IN THE DIRECTION OF MACHINE FORWARD TRAVEL.

BOX-ENCLOSED ILLUSTRATIONS

A KEY NUMBER, SHOWN IN THE PARTS LIST, IS ASSIGNED TO A BOX ENCLOSING ALL PARTS SOLD AS A SERVICE ASSEMBLY. A BOX NOT KEYED INCLUDES NON-CURRENT PARTS.

KITS

KIT INFORMATION WILL BE FOUND IMMEDIATELY FOLLOWING THE STORY IN WHICH IT IS USED. THE ILLUSTRATION IS REPEATED WITH ONLY THE KIT PARTS CALLED OUT AND ALL OTHER PARTS SHOWN IN PHANTOM

JDM REMANUFACTURED COMPONENTS

THE SERVICE PARTS LISTED IN THIS CATALOG ARE INTENDED FOR THE REPAIR OF ORIGINAL EQUIPMENT COMPONENTS. ALTHOUGH MOST SERVICE PARTS MAY BE USED TO REPAIR REMANUFACTURED COMPONENTS, THE REMANUFACTURED DESIGN MAY CHANGE PARTS SUFFICIENTLY SO THAT SERVICE PARTS ARE INADEQUATE OR NOT USABLE.

BOLT AND CAP SCREW STRENGTH IDENTIFICATION

BOLTS AND CAP SCREWS REQUIRED TO HAVE HIGH-STRENGTH QUALITIES EQUIVALENT TO SAE GRADE 8 ARE IDENTIFIED THROUGHOUT THIS CATALOG BY THE DESCRIPTION HS SAE 8. ALL STANDARD BOLTS AND CAP SCREWS ARE SAE GRADE 5 OR LOWER. BOLTS AND CAP SCREWS REQUIRED TO HAVE HIGH-STRENGTH QUALITIES EQUIVALENT TO PROPERTY CLASS 10.9 ARE IDENTIFIED THROUGHOUT THIS CATALOG BY THE DESCRIPTION HS 10.9. ALL STANDARD BOLTS AND CAP SCREWS ARE PROPERTY CLASS 8.8 OR LOWER.

SI UNITS OF MEASURE

METRIC DIMENSIONS ARE GIVEN, WHERE APPLICABLE, THROUGHOUT THIS PARTS CATALOG.

TRADEMARKS

THROUGHOUT THIS PARTS CATALOG, YOU WILL FIND THE FOLLOWING DEERE & COMPANY TRADEMARKS:

DIAL-A-SPEED™
DIAL-A-MATIC™
HARVESTRAK™

POSI-TORQ™
TORQ-GARD SUPREME®
QUIK-TATCH™

CHANGE INDICATOR LINE

CHANGES AFFECTING THE ORDERING OF PARTS ARE IDENTIFIED BY VERTICAL LINES MARKED IN THE L. H. MARGIN OF REVISED PARTS LISTING IMAGES. A LINE IS ALSO AT THE LEFT-HAND EDGE OF THE SAME PART NUMBER IN THE NUMERICAL INDEX TO SHOW THE LOCATION OF REVISED INFORMATION.

FUNCTION CODE

(EXAMPLE - FC: 5000)

FUNCTION CODES ARE LOCATED ON EACH PAGE IN THE UPPER RIGHT-HAND CORNER ON THE TITLE LINE. THE CODE LISTED IS A GROUPING CODE THAT CAN BE USED FOR WARRANTIES AND FOR DTAC TO IDENTIFY CERTAIN AREAS.

COMPLETE GOODS LISTINGS

COMPLETE GOODS ARE IN BOLD FACE TYPE. ORDER SEPARATELY. DO NOT INCLUDE ON REPLACEMENT PARTS ORDER.

ALPHABETICAL INDEX

GRID		PAGE	GRID		PAGE
	A				
C11	AUGER (344, 443, 444, 543, 642, 643)	60	B8	BARREL, STALK ROLLS	34
C11	AUGER (644, 645, 842, 843, 844)	60	C18	BEARING, CROSS AUGER (1243)	67
B21	AUGER DRIVES, CROSS (444, 543, 546, 642)(-332700)	48	C20	BEARING, CROSS AUGER (1243)	69
B21	AUGER DRIVES, CROSS (643, 644, 645, 842, 843)(-332700)	48	C18	BRACKET, CROSS AUGER (1243)	67
C13	AUGER FLOOR AND SHIELD (344, 443, 444, 543, 546)	62	C20	BRACKET, CROSS AUGER (1243)	69
C15	AUGER FLOOR AND SHIELD (344, 443, 444, 543, 546)	64	D11	BRACKET, STUBBLE LIGHT (-640300)	84
C13	AUGER FLOOR AND SHIELD (642, 643, 644, 842, 843, 844)	62	D12	BRACKET, STUBBLE LIGHT (640301-)	86
C15	AUGER FLOOR AND SHIELD (642, 643, 644, 842, 843, 844)	64		C	
C21	AUGER SHIELD (243, 244, 343, 344, 443, 444)	70	C18	CARRIER, BEARING, CROSS AUGER (1243)	67
C21	AUGER SHIELD (543, 546, 643, 644, 645, 843, 1243)	70	C20	CARRIER, BEARING, CROSS AUGER (1243)	69
C13	AUGER SLOWDOWN SHIELDS	62	B13	CASE, GEAR	40
C15	AUGER SLOWDOWN SHIELDS	64	B15	CASE, GEAR	42
C17	AUGER SLOWDOWN SHIELDS (1243)	66	A24	CENTER GATHERER POINTS (1243)	24
C19	AUGER SLOWDOWN SHIELDS (1243)	68	A24	CENTER GATHERER POINTS (243, 244, 343, 344, 443, 444)	24
C17	AUGER SLOWDOWN SPROCKETS (1243)	66	A24	CENTER GATHERER POINTS (543, 546, 643, 644, 645, 843, 844)	24
C19	AUGER SLOWDOWN SPROCKETS (1243)	68	A17	CENTER GATHERER POINTS (642 AND 842)	16
C17	AUGER, CROSS (1243)(471048-)	66	A23	CENTER GATHERER POINTS (642 AND 842)	23
C19	AUGER, CROSS (1243)(471048-)	68	B3	CENTER GATHERER SHIELD EXTENSIONS	28
C9	AUGER, CROSS (243, 244, 343)	58	B1	CENTER GATHERER SHIELDS	26
C18	AUGER, CROSS (1243)	67	B18	CHAIN, GATHERER	45
C20	AUGER, CROSS (1243)	69	B12	CLUTCH, SLIP, ROW-UNIT	38
C1	AUGER, CROSS, DRIVE (1243)(471048-)	50	C18	COLLAR, CROSS AUGER (1243)	67
C3	AUGER, CROSS, DRIVE (1243)(471048-)	52	C20	COLLAR, CROSS AUGER (1243)	69
C7	AUGER, CROSS, DRIVE (243, 244, 343)	56	E9	CONSTANT VELOCITY HEADER DRIVE SHAFT - SIDEHILL - WEASLER(643,644,843,844)	110
C1	AUGER, CROSS, DRIVE (444, 543, 546, 643)(-332701)	50	D24	COUPLER & SHIELD, MAIN DRIVE-6620SH CONV (444) (-640500)	100
C3	AUGER, CROSS, DRIVE (444, 543, 546, 643)(332701-)	52	D21	COUPLER AND DRIVE SHAFT (1243 (635101-)	96
C1	AUGER, CROSS, DRIVE (644, 645, 843)(-332701)	50	D17	COUPLER AND MAIN DRIVE SHAFT (433, 444, 546, 642 (-635100)	92
C3	AUGER, CROSS, DRIVE (644, 645, 843)(332701-)	52	D19	COUPLER AND MAIN DRIVE SHAFT (433, 444, 546, 642 (-635100)	94
C3	AUGER, CROSS, DRIVE (844)(380601-)	52	D21	COUPLER AND MAIN DRIVE SHAFT (443, 444, 546, 643 (635101-)	96
C1	AUGER, CROSS, DRIVES (844)(380601-)	50	D17	COUPLER AND MAIN DRIVE SHAFT (543 (-380600)	92
	B		D19	COUPLER AND MAIN DRIVE SHAFT (543 (-380600)	94
D5	BACK SHEETS AND MAIN FRAME (1243, 471048-)	78	D17	COUPLER AND MAIN DRIVE SHAFT (543 (620801-635100)	92
D5	BACK SHEETS AND MAIN FRAME (844)	78	D19	COUPLER AND MAIN DRIVE SHAFT (543 (620801-635100)	94
B10	BARREL, STALK ROLL	36	D17	COUPLER AND MAIN DRIVE SHAFT (642, 842 (-332700)	92
			D19	COUPLER AND MAIN DRIVE SHAFT (642, 842 (-332700)	94
			D17	COUPLER AND MAIN DRIVE SHAFT (643, 644, 645 (-635100)	92
			D19	COUPLER AND MAIN DRIVE SHAFT (643, 644, 645 (-635100)	94
			D21	COUPLER AND MAIN DRIVE SHAFT (644, 645, 843, 844 (635101-)	96
			D17	COUPLER AND MAIN DRIVE SHAFT (842, 843, 844, 1243 (-635100)	92
			D19	COUPLER AND MAIN DRIVE SHAFT (842, 843, 844, 1243 (-635100)	94

**Thanks very much for your reading,
Want to get more information,
Please click here, Then get the complete
manual**

JustClickHere 

NOTE:

**If there is no response to click on the link above,
please download the PDF document first, and then
click on it.**

**Have any questions please write to me:
admin@servicemanualperfect.com**

ALPHABETICAL INDEX - CONTINUED

<i>GRID</i>		<i>PAGE</i>	<i>GRID</i>		<i>PAGE</i>
D23	COUPLER AND SHIELD, MAIN DRIVE SHAFT	98	D19	DRIVE SHAFT, MAIN, AND COUPLER	
D25	COUPLER, MAIN DRIVE SHAFT (9500SH CONV.)			(543 (-380600).....	94
	(R.H.)	101	D17	DRIVE SHAFT, MAIN, AND COUPLER	
E3	COUPLER, MAIN DRIVE SHAFT, SIDEHILL			(642, 842 (-332700).....	92
	(643, 644, 843, 844) (645251-)	104	D19	DRIVE SHAFT, MAIN, AND COUPLER	
E1	COUPLER, MAIN DRIVE-643 SIDEHILL (6620SH			(642, 842 (-332700).....	94
	CONV.) (-640500)	102	D17	DRIVE SHAFT, MAIN, AND COUPLER	
C17	CROSS AUGER			(643, 644, 645 (-635100)	92
	(1243)(471048-).....	66	D19	DRIVE SHAFT, MAIN, AND COUPLER	
C19	CROSS AUGER			(643, 644, 645 (-635100)	94
	(1243)(471048-).....	68	D21	DRIVE SHAFT, MAIN, AND COUPLER	
C9	CROSS AUGER			(644, 645, 843, 844 (635101-)	96
	(243, 244, 343)	58	D17	DRIVE SHAFT, MAIN, AND COUPLER	
C18	CROSS AUGER (1243)	67		(842, 843, 844, 1243 (-635100)	92
C20	CROSS AUGER (1243)	69	D19	DRIVE SHAFT, MAIN, AND COUPLER	
C5	CROSS AUGER SLOW DOWN	54		(842, 843, 844, 1243 (-635100)	94
			E1	DRIVE SHAFT, MAIN, 643 SIDEHILL (6620SH	
	D			CONV.)(-640500)	102
D15	DECAL, DRIVE SHAFT		B19	DRIVE, ROW-UNIT AND CROSS AUGER	
	(443, 444, 543, 546)	90		(643, 644, 645, 842, 843) (-332700)	46
D24	DECAL, DRIVE SHAFT		B21	DRIVES, ROW-UNIT AND CROSS AGUER	
	(444) (-640500)	100		(643, 644, 645, 842, 843)(-332700)	48
D15	DECAL, DRIVE SHAFT		C3	DRIVES, ROW-UNIT AND CROSS AUGER	
	(642, 643, 644, 645, 842, 843, 844).....	90		(1243)(471048-)	52
D15	DECAL, MAIN DRIVE SHAFT		C7	DRIVES, ROW-UNIT AND CROSS AUGER	
	(1243, 471048-634100)	90		(243, 244, 343)	56
B6	DECK PLATES.....	32	B19	DRIVES, ROW-UNIT AND CROSS AUGER	
D24	DRIVE SHAFT DECAL			(444, 543, 546, 642) (-332700)	46
	(444) (-640500)	100	B21	DRIVES, ROW-UNIT AND CROSS AUGER	
D15	DRIVE SHAFT SHIELD, MAIN			(444, 543, 546, 642)(-332700)	48
	(1243, 471048-634100)	90	C1	DRIVES, ROW-UNIT AND CROSS AUGER	
D15	DRIVE SHAFT SHIELD, MAIN			(444, 543, 546, 643)(-332701)	50
	(443, 444, 543, 546)	90	C3	DRIVES, ROW-UNIT AND CROSS AUGER	
D15	DRIVE SHAFT SHIELD, MAIN			(444, 543, 546, 643)(332701-)	52
	(642, 643, 644, 645, 842, 843, 844).....	90	C1	DRIVES, ROW-UNIT AND CROSS AUGER	
E11	DRIVE SHAFT SUPPORT (244)	112		(644, 645, 843)(-332701)	50
D15	DRIVE SHAFT, DECAL		C3	DRIVES, ROW-UNIT AND CROSS AUGER	
	(1243, 471048-643100)	90		(644, 645, 843)(332701-).....	52
D15	DRIVE SHAFT, DECAL		C1	DRIVES, ROW-UNIT AND CROSS AUGER	
	(443, 444, 543, 546)	90		(844)(380601-)	50
D15	DRIVE SHAFT, DECAL		C3	DRIVES, ROW-UNIT AND CROSS AUGER	
	(642, 643, 644, 645, 842, 843, 844).....	90		(844)(380601-).....	52
E5	DRIVE SHAFT, HEADER - SIDEHILL		C1	DRIVES, ROW-UNIT AND CROSS AUGER	
	(-615250).....	106		(1243)(471048-)	50
E7	DRIVE SHAFT, HEADER - SIDEHILL - WEASLER		C5	DRIVES,ROW-UNIT & CROSS AUGER (SLOWDOWN)	
	(R.H. ILLUSTRATED) (645251-) (444)	108		(444,543,546,643,644,645,843,844,1243)	54
E9	DRIVE SHAFT, HEADER - SIDEHILL - WEASLER				
	(643, 644, 843, 844) (645251-)	110		E	
E6	DRIVE SHAFT, HEADER, SH, WALTERSCHIED		C18	EXTENSION, CROSS AUGER (1243)	67
	(615251-640500)	107	C20	EXTENSION, CROSS AUGER (1243)	69
D25	DRIVE SHAFT, MAIN (9500SH CONV.)		B3	EXTENSIONS, CENTER GATHERER SHIELD	28
	(R.H.)	101			
D17	DRIVE SHAFT, MAIN, AND COUPLER	92		F	
D19	DRIVE SHAFT, MAIN, AND COUPLER	94	C18	FILLER, ROW-UNIT DR, CROSS AUGER (1243)	67
D21	DRIVE SHAFT, MAIN, AND COUPLER		C20	FILLER, ROW-UNIT DR, CROSS AUGER (1243)	69
	(1243 (635101-)	96	C9	FILLER, ROW-UNIT DRIVE	
D17	DRIVE SHAFT, MAIN, AND COUPLER			(243, 244, 343)	58
	(433, 444, 546, 642 (-635100)	92	C11	FILLER, ROW-UNIT DRIVE	
D19	DRIVE SHAFT, MAIN, AND COUPLER			(344, 443, 444, 543, 642, 643).....	60
	(433, 444, 546, 642 (-635100)	94	C11	FILLER, ROW-UNIT DRIVE	
D21	DRIVE SHAFT, MAIN, AND COUPLER			(644, 645, 842, 843, 844)	60
	(443, 444, 546, 643 (635101-)	96	C13	FLOOR, AUGER, SHIELD	
D17	DRIVE SHAFT, MAIN, AND COUPLER			(344, 443, 444, 543, 546)	62
	(543 (-380600).....	92			

ALPHABETICAL INDEX - CONTINUED

GRID		PAGE	GRID		PAGE
C15	FLOOR, AUGER, SHIELD (344, 443, 444, 543, 546)	64		L	
C13	FLOOR, AUGER, SHIELD (642, 643, 644, 842, 843, 844)	62	D9	LIGHT, MARKER, HARNESS	82
C15	FLOOR, AUGER, SHIELD (642, 643, 644, 842, 843, 844)	64	D10	LIGHTS, MARKER	83
C18	FLOOR, CROSS AUGER (1243)	67		M	
C20	FLOOR, CROSS AUGER (1243)	69	D24	MAIN DRIVE COUPLER & SHIELD -6620SH CONV (444) (-640500)	100
B6	FRAME, ROW-UNIT	32	E1	MAIN DRIVE COUPLER 643 SIDEHILL (6620SH CONV.) (-640500)	102
	G		D24	MAIN DRIVE SHAFT (6620 SH CONV.) (444) (-640500)	100
B18	GATHERER CHAIN AND SPROCKETS	45	D25	MAIN DRIVE SHAFT (9500SH CONV.) (R.H.)	101
A13	GATHERER POINTS (-466450)	12	D21	MAIN DRIVE SHAFT AND COUPLER (1243 (635101-)	96
A15	GATHERER POINTS (466451-)	14	D17	MAIN DRIVE SHAFT AND COUPLER (443, 444, 546, 642 (-635100)	92
A21	GATHERER POINTS (466451-)	20	D19	MAIN DRIVE SHAFT AND COUPLER (443, 444, 546, 642 (-635100)	94
A24	GATHERER POINTS, CENTER (1243)	24	D21	MAIN DRIVE SHAFT AND COUPLER (443, 444, 546, 643 (635101-)	96
A24	GATHERER POINTS, CENTER (243, 244, 343, 344, 443, 444)	24	D17	MAIN DRIVE SHAFT AND COUPLER (543 (-380600)	92
A24	GATHERER POINTS, CENTER (543, 546, 643, 644, 645, 843, 844)	24	D19	MAIN DRIVE SHAFT AND COUPLER (543 (-380600)	94
A17	GATHERER POINTS, CENTER (642 AND 842)	16	D17	MAIN DRIVE SHAFT AND COUPLER (543 (620801-635100)	92
A23	GATHERER POINTS, CENTER (642 AND 842)	23	D19	MAIN DRIVE SHAFT AND COUPLER (543 (620801-635100)	94
A10	GATHERER SHEETS (-380600)	9	D17	MAIN DRIVE SHAFT AND COUPLER (642, 842 (-332700)	92
A11	GATHERER SHEETS, OUTER (380601-)	10	D19	MAIN DRIVE SHAFT AND COUPLER (642, 842 (-332700)	94
B5	GATHERER SHIELDS (642 AND 842)	30	D17	MAIN DRIVE SHAFT AND COUPLER (643, 644, 645 (-635100)	92
B1	GATHERER SHIELDS, CENTER	26	D19	MAIN DRIVE SHAFT AND COUPLER (643, 644, 645 (-635100)	94
B13	GEAR HOUSING	40	D21	MAIN DRIVE SHAFT AND COUPLER (644, 645, 843, 844 (635101-)	96
B15	GEAR HOUSING	42	D17	MAIN DRIVE SHAFT AND COUPLER (842, 843, 844, 1243 (-635100)	92
	H		D19	MAIN DRIVE SHAFT AND COUPLER (842, 843, 844, 1243 (-635100)	94
D9	HARNESS, MARKER LIGHT	82	D15	MAIN DRIVE SHAFT SHIELD (1243, 471048-634100)	90
D11	HARNESS, STUBBLE LIGHT (-640300)	84	D15	MAIN DRIVE SHAFT SHIELD (443, 444, 543, 546)	90
D12	HARNESS, STUBBLE LIGHT (640301-)	86	D15	MAIN DRIVE SHAFT SHIELD (642, 643, 644, 645, 842, 843, 844)	90
E5	HEADER DRIVE SHAFT - SIDEHILL (-615250)	106	D23	MAIN DRIVE SHAFT, COUPLER, AND SHIELD	98
E9	HEADER DRIVE SHAFT - SIDEHILL - WEASLER (643, 644, 843, 844) (645251-)	110	E3	MAIN DRIVE SHAFT, COUPLER, SIDEHILL (643, 644, 843, 844) (645251-)	104
E7	HEADER DRIVE SHAFT - SIDEHILL - WEASLER (R.H. ILLUSTRATED) (645251-) (444)	108	E3	MAIN DRIVE SHAFT, SIDEHILL (643, 644, 843, 844) (645251-)	104
E6	HEADER DRIVE SHAFT, SH, WALTERSCHEID (615251-640500)	107	E1	MAIN DRIVE SHAFT, 643 SIDEHILL (6620SH CONV.) (-640500)	102
	K		E1	MAIN DRIVE SHIELD 643 SIDEHILL (6620SH CONV.) (-640500)	102
E19	KEY STOCK, METRIC KIT	120	C23	MAIN FRAME AND BACK SHEETS	72
E19	KIT, METRIC KEY STOCK	120	D1	MAIN FRAME AND BACK SHEETS (642, 643, 644, 645, 842, 843)	74
B10	KNIFE STALK ROLL AND BARREL	36	D5	MAIN FRAME AND BACK SHEETS (844)	78
B6	KNIFE, TRASH	32	D14	MAIN FRAME AND SHIELDS (243, 244, 343)	88

ALPHABETICAL INDEX - CONTINUED

GRID		PAGE	GRID		PAGE
D7	MAIN FRAME SHIELDS (1243, 471048-)	80	C1	ROW-UNIT AND CROSS AUGERS DRIVES (644, 645, 843)(-332701)	50
D7	MAIN FRAME SHIELDS (844)	80	B6	ROW-UNIT FRAME AND DECK PLATES	32
D5	MAIN FRAME, AND BACK SHEETS (1243, 471048-)	78	B12	ROW-UNIT SLIP CLUTCH	38
D9	MARKER LIGHT HARNESS	82	C1	ROW-UNITS AND CROSS AUGER DRIVES (1243)(471048-)	50
D10	MARKER LIGHTS	83			
E19	METRIC KEY STOCK KIT	120		S	
	O		E15	SAFETY AND INSTRUCTIONAL DECALS	116
A11	OUTER GATHERER SHEETS (380601-)	10	E5	SHAFT, HEADER DRIVE - SIDEHILL (-615250)	106
	P		E6	SHAFT, HEADER DRIVE, SH, WALTERSCHIED (615251-640500)	107
C18	PADDLE, CROSS AUGER (1243)	67	D24	SHAFT, MAIN DRIVE (6620 SH CONV.) (444) (-640500)	100
C20	PADDLE, CROSS AUGER (1243)	69	D25	SHAFT, MAIN DRIVE (9500SH CONV.) (R.H.)	101
B6	PLATES, DECK	32	E3	SHAFT, MAIN DRIVE, SIDEHILL (643, 644, 843, 844) (645251-)	104
A17	POINTS, CENTER GATHERER (642 AND 842)	16	B8	SHAFT, STALK ROLL	34
A23	POINTS, CENTER GATHERER (642 AND 842)	23	C23	SHEETS, BACK, AND MAIN FRAME	72
A13	POINTS, GATHERER (-466450)	12	D1	SHEETS, BACK, AND MAIN FRAME (642, 643, 644, 645, 842, 843)	74
A15	POINTS, GATHERER (466451-)	14	A10	SHEETS, GATHERER (-380600)	9
A21	POINTS, GATHERER (466451-)	20	A11	SHEETS, OUTER GATHERER (380601-)	10
A24	POINTS, GATHERER, CENTER (1243)	24	D23	SHIELD AND COUPLER, MAIN DRIVE SHAFT	98
A24	POINTS, GATHERER, CENTER (243, 244, 343, 344, 443, 444)	24	B3	SHIELD EXTENSIONS, CENTER GATHERER	28
A24	POINTS, GATHERER, CENTER (543, 546, 643, 644, 645, 843, 844)	24	C21	SHIELD, AUGER (243, 244, 343, 344, 443, 444)	70
	R		C21	SHIELD, AUGER (543, 546, 643, 644, 645, 843, 1243)	70
B8	ROLL, STALK	34	C11	SHIELD, AUGER DRIVE (344, 443, 444, 543, 642, 643)	60
C5	ROW-UNIT & CROSS AUGER DRIVES (SLOWDOWN) (444,543,546,643,644,645,843,844,1243)	54	C11	SHIELD, AUGER DRIVE (644, 645, 842, 843, 844)	60
C3	ROW-UNIT AND CROSS AUGER DRIVES (1243)(471048-)	52	C13	SHIELD, AUGER FLOOR (344, 443, 444, 543, 546)	62
C7	ROW-UNIT AND CROSS AUGER DRIVES (243, 244, 343)	56	C15	SHIELD, AUGER FLOOR (344, 443, 444, 543, 546)	64
B19	ROW-UNIT AND CROSS AUGER DRIVES (444, 543, 546, 642) (-332700)	46	C13	SHIELD, AUGER FLOOR (642, 643, 644, 842, 843, 844)	62
B21	ROW-UNIT AND CROSS AUGER DRIVES (444, 543, 546, 642)(-332700)	48	C15	SHIELD, AUGER FLOOR (642, 643, 644, 842, 843, 844)	64
C1	ROW-UNIT AND CROSS AUGER DRIVES (444, 543, 546, 643)(-332701)	50	C18	SHIELD, CROSS AUGER (1243)	67
C3	ROW-UNIT AND CROSS AUGER DRIVES (444, 543, 546, 643)(332701-)	52	C20	SHIELD, CROSS AUGER (1243)	69
B19	ROW-UNIT AND CROSS AUGER DRIVES (643, 644, 645, 842, 843) (-332700)	46	C9	SHIELD, CROSS AUGER DRIVE (243, 244, 343)	58
B21	ROW-UNIT AND CROSS AUGER DRIVES (643, 644, 645, 842, 843)(-332700)	48	B5	SHIELD, GATHERER (642 AND 842)	30
C3	ROW-UNIT AND CROSS AUGER DRIVES (644, 645, 843)(332701-)	52	D15	SHIELD, MAIN DRIVE SHAFT (1243, 471048-634100)	90
C1	ROW-UNIT AND CROSS AUGER DRIVES (844)(380601-)	50	D15	SHIELD, MAIN DRIVE SHAFT (443, 444, 543, 546)	90
C3	ROW-UNIT AND CROSS AUGER DRIVES (844)(380601-)	52	D15	SHIELD, MAIN DRIVE SHAFT (642, 643, 644, 645, 842, 843, 844)	90
			D25	SHIELD, MAIN DRIVE SHAFT (9500SH CONV.) (R.H.)	101
			E3	SHIELD, MAIN DRIVE SHAFT, SIDEHILL (643, 644, 843, 844) (645251-)	104
			E1	SHIELD, MAIN DRIVE 643 SIDEHILL (6620SH CONV.) (-640500)	102
			E14	SHIELD, WHEEL (243, 343) (380601-)	115

ALPHABETICAL INDEX - CONTINUED

GRID		PAGE	GRID		PAGE
E14	SHIELD, WHEEL (642, 842).....	115	D11	STUBBLE LIGHT HARNESS (-650300)	84
D3	SHIELDS AND STRIPPER (344, 443, 444, 543, 546)	76	D12	STUBBLE LIGHT HARNESS (640301-)	86
D3	SHIELDS AND STRIPPER (642, 643, 644, 645, 842, 843)	76	D12	STUBBLE LIGHTS (640301-)	86
C13	SHIELDS, AUGER SLOWDOWN	62	E11	SUPPORT, DRIVE SHAFT (244)	112
C15	SHIELDS, AUGER SLOWDOWN	64		T	
C17	SHIELDS, AUGER SLOWDOWN (1243)	66	B6	TRASH KNIFE	32
C19	SHIELDS, AUGER SLOWDOWN (1243)	68		W	
B1	SHIELDS, CENTER GATHERER	26	E6	WALTERSCHIED HEADER DRIVE SHAFT, S.H. (615251-640500)	107
D7	SHIELDS, MAIN FRAME (1243, 471048-)	80	E7	WEASLER - HEADER DRIVE SHAFT - SIDEHILL (R.H. ILLUSTRATED) (645251-) (444)	108
D7	SHIELDS, MAIN FRAME (844)	80	E13	WHEEL SHIELDS (243, 343) (-380600)	114
E13	SHIELDS, WHEEL (243, 343) (-380600)	114	E14	WHEEL SHIELDS (243, 343) (380601-)	115
E13	SHIELDS, WHEEL (244, 344)	114	E13	WHEEL SHIELDS (244, 344)	114
E5	SIDEHILL - HEADER DRIVE SHAFT (-615250)	106	E14	WHEEL SHIELDS (642, 842)	115
E7	SIDEHILL - WEASLER - HEADER DRIVE SHAFT (R.H. ILLUSTRATED) (645251-) (444)	108			
E9	SIDEHILL - WEASLER - HEADER DRIVE SHAFT (643, 644, 843, 844) (645251-)	110			
E3	SIDEHILL CONVERSION, MAIN DRIVE SHAFT (643, 644, 843, 844)	104			
D25	SIDEHILL MAIN DRIVE SHAFT CONVERSION (R.H.)	101			
E6	SIDEHILL-HEADER DRIVE SHAFT,WALTERSCHIED (615251-640500)	107			
E1	SIDEHILL-6620 CONVERSION-MAIN DRIVE (643)	102			
B12	SLIP CLUTCH, ROW-UNIT	38			
C5	SLOW DOWN, ROW-UNIT AND CROSS AUGER DRIVES	54			
C13	SLOWDOWN SHIELDS, AUGER	62			
C15	SLOWDOWN SHIELDS, AUGER	64			
C17	SLOWDOWN, AUGER SHIELDS & SPROCKETS (1243)	66			
C19	SLOWDOWN, AUGER SHIELDS & SPROCKETS (1243)	68			
C18	SPROCKET, CROSS AUGER (1243)	67			
C20	SPROCKET, CROSS AUGER (1243)	69			
C17	SPROCKETS, AUGER SLOWDOWN (1243)	66			
C19	SPROCKETS, AUGER SLOWDOWN (1243)	68			
B18	SPROCKETS, GATHERER CHAIN	45			
B10	STALK ROLL BARREL	36			
B8	STALK ROLL SHAFT AND BARREL	34			
B10	STALK ROLL, KNIFE	36			
C18	STRAP, CROSS AUGER (1243)	67			
C20	STRAP, CROSS AUGER (1243)	69			
C18	STRIP, CROSS AUGER (1243)	67			
C20	STRIP, CROSS AUGER (1243)	69			
D3	STRIPPER AND SHIELDS (344, 443, 444, 543, 546)	76			
D3	STRIPPER AND SHIELDS (642, 643, 644, 645, 842, 843)	76			
D11	STUBBLE LIGHT (-640300)	84			
D11	STUBBLE LIGHT CONNECTOR (-650300)	84			

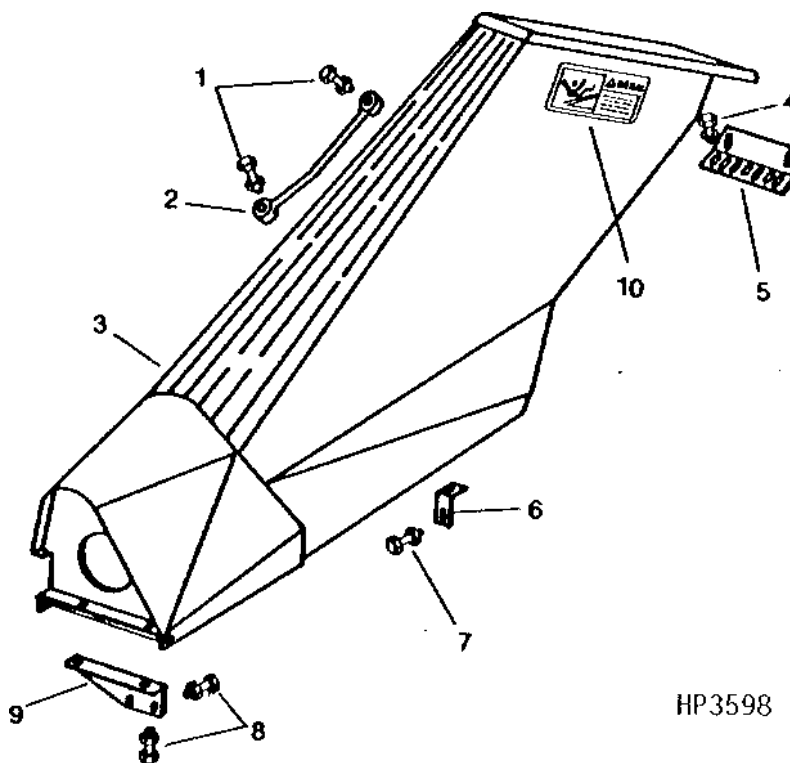
A10

40 SERIES CORN HEADS

OUTER GATHERER SHEETS

(-380600)

HP3598 -UN-01JAN94

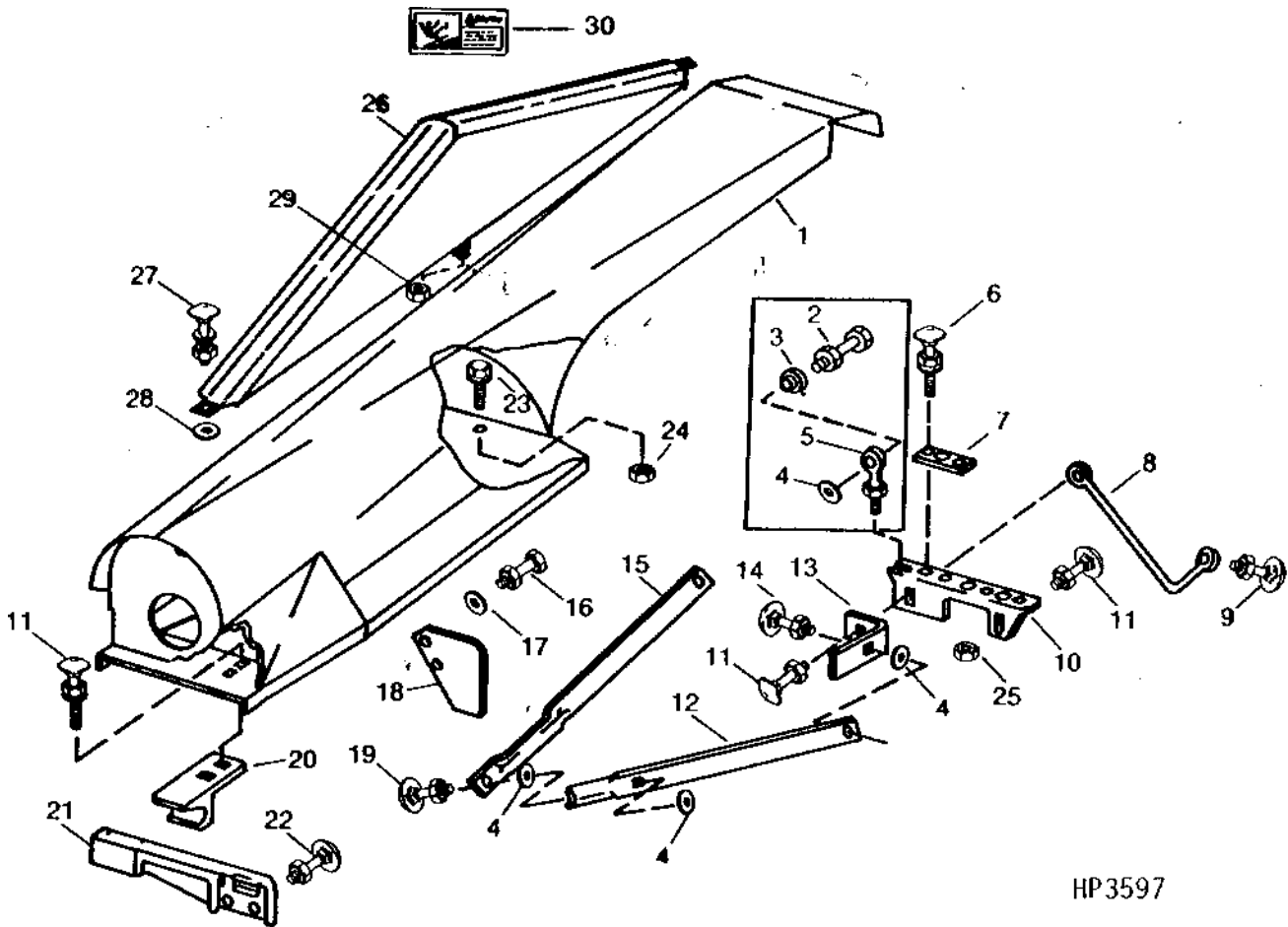


HP3598

KEY	PART NO.	PART NAME	QTY	SERIAL NO.	REMARKS
1	N10214	SELF-LOCKING SCREW	4	9.525 X 25.400 MM (3/8" X 1")	
	E55662	FLANGE NUT	4	9.525 MM (3/8")	
2	H83071	SUPPORT	1		R.H. NO LONGER AVAILABLE
	H83072	SUPPORT	1		L.H.
3	AN102066	SHEET	1		R.H. (243, -300) (244, -2451) (343, -1651) (344, -926) (443, -1336) (444, -2551) (546, -500) (642, -400) (643, -1051) (644, -531) (645, -400) (842, -421) (843, -600) (SUB AH82434)
	AH82434	SHEET	1		R.H.
	AN102067	SHEET	1		L.H. (243, -300) (244, -2451) (343, -1651) (344, -926) (443, -1336) (444, -2551) (546, -500) (642, -400) (643, -1051) (644, -531) (645, -400) (842, -421) (843, -600) (SUB AH82435)
	AH82435	SHEET	1		L.H.
4	N10212	SELF-LOCKING SCREW	8	7.925 X 19.050 MM (5/16" X 3/4")	
	A22698	NUT	8	7.925 MM (5/16")	
5	N103853	SUPPORT	2		UPPER
6	N103909	CLIP	2		(NO LONGER AVAILABLE)
7	N14822	SELF-LOCKING SCREW	4	9.525 X 19.050 MM (3/8" X 3/4")	
	E55662	FLANGE NUT	4	9.525 MM (3/8")	
8	03H1500	BOLT	4	3/8" X 1"	
	E55662	FLANGE NUT	4	9.525 MM (3/8")	
9	N102198	SUPPORT	1		R.H., LOWER
	N102199	SUPPORT	1		L.H., LOWER
10	H126728	LABEL	2		"DANGER", (SUB H149059)
	H149059	SIGN	2		"DANGER", (SUB H151336)
	H151336	SIGN	2		"DANGER"

A11

OUTER GATHERER SHEETS
(380601-)
HP3597 -UN-01JAN94



HP3597

OUTER GATHERER SHEETS - CONTINUED
(380601-)

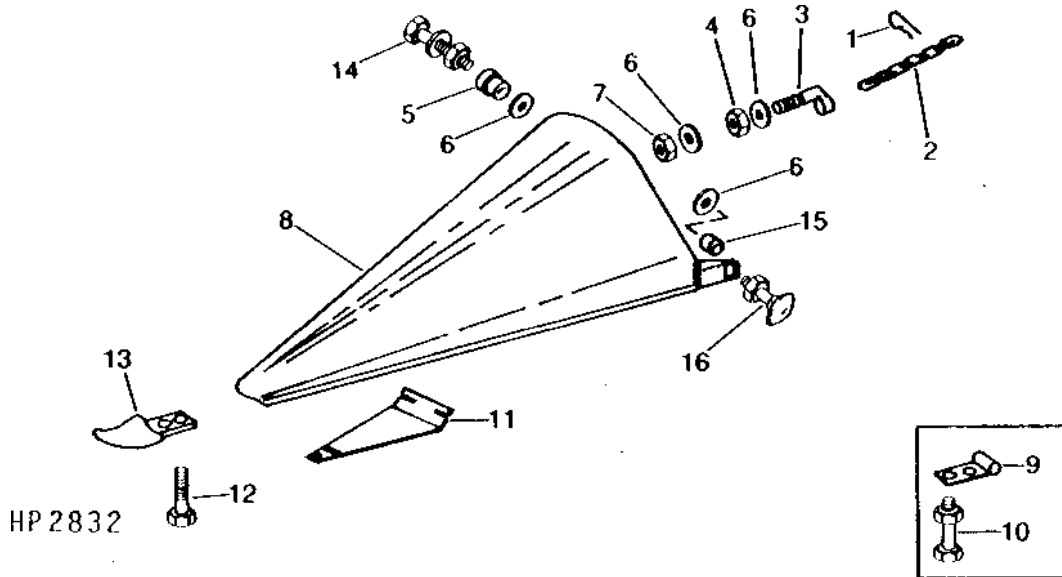
KEY	PART NO.	PART NAME	QTY	SERIAL NO.	REMARKS
1	AH118342	GATHERER	1		R.H. (SUB FOR AH97796)
	AH118343	GATHERER	1		L.H. (SUB FOR AH97797)
2	19H1732	CAP SCREW	2	-600000	3/8" X 1-1/4"
	E55662	FLANGE NUT	2	-600000	9.525 MM (3/8")
3	H97266	BUSHING	2	-600000	9.779 X 16.256 X 16.256 MM (0.385" X 0.640" X 0.640")
4	24H1308	WASHER	AR	-600000	13/32" X 1" X 0.134"
5	H100529	EYEBOLT	2	-600000	
	14H827	WING NUT	2	-466450	3/8"
	E50102	LOCK NUT	2	466451-600000	9.525 MM (3/8")
6	03H1709	BOLT	8	-600000	5/16" X 1"
	A22698	NUT	8		7.925 MM (5/16")
7	H92710	PAD	4	-600000	
	H113751	PAD	4	600001-	
8	H93010	BRACE	1		R.H.
	H93011	BRACE	1		L.H.
9	N10214	SELF-LOCKING SCREW	2		9.525 X 25.400 MM (3/8" X 1")
	E55662	FLANGE NUT	2		9.525 MM (3/8")
10	H100530	SUPPORT	1		R.H., OUTER
	H100531	SUPPORT	1		L.H., OUTER
11	03H1500	BOLT	AR		3/8" X 1"
	E55662	FLANGE NUT	AR		9.525 MM (3/8")
12	H101251	STRAP	2	-383768	(SUB H102750 AND H102751)
	H102750	STRAP	1		INNER
13	H101253	ANGLE	4		INNER
14	03H1500	BOLT	AR		3/8" X 1"
	E50102	LOCK NUT	AR		9.525 MM (3/8")
15	H101252	STRAP	2	-383768	(SUB H102750 AND H102751)
	H102751	STRAP	1		OUTER
16	N10212	SELF-LOCKING SCREW	2		7.925 X 19.050 MM (5/16" X 3/4")
	T16464	LOCK NUT	2		7.925 MM (5/16") (SUB FOR N10213, THIS APPLICATION)
	12H336	LOCK WASHER	2		7/16", (243, -610100) (244, -610150) (343, -610200) (344, -600000) (443, -610250) (444, -610300) (543, -416850) (546, -610400) (643, -610450) (644, -610550) (645, -610600) (843, -610650) (844, -610700) (1243, 610750)
17	24M7207	WASHER	2		8.400 X 24 X 2 MM
18	N101988	GATE	1	-660100	
	H152597	GATE	1	660101-	
19	03H1557	BOLT	AR		3/8" X 1-1/4"
	E50102	LOCK NUT	AR		9.525 MM (3/8")
20	H113237	HOOK	4		(SUB FOR H91576)
21	H109940	HINGE	1		R.H. (SUB FOR H91574)
	H109941	HINGE	1		L.H. (SUB FOR H91575)
22	03H1557	BOLT	AR		3/8" X 1-1/4"
	03H1468	BOLT	2	469631-	3/8" X 1-3/4"
	E55662	FLANGE NUT	AR		9.525 MM (3/8")
23	E60315	SELF-LOCKING SCREW	2	466451-	9.525 X 31.750 MM (3/8" X 1-1/4")
24	E55662	FLANGE NUT	4	466451-	9.525 MM (3/8")
25	E50102	LOCK NUT	4	466451-	9.525 MM (3/8")
26	AH110774	EXTENSION	2		
27	03H1540	BOLT	4	-517928	5/16" X 3/4"
	12H303	LOCK WASHER	4	-517928	5/16"
	14H785	NUT	4	-517928	5/16"
	03H1709	BOLT	4	517929-	5/16" X 1"
	A22698	NUT	4	517929-	7.925 MM (5/16")
28	24M7207	WASHER	4		8.400 X 24 X 2 MM
29	A22698	NUT	4		7.925 MM (5/16")
30	H126728	LABEL	2		"DANGER", (SUB H149059)
	H149059	SIGN	2		(SUB H151336) "DANGER"
..	JD5580	REFLECTOR	2		"RED", (SUB JD5902)
..	JD5599	DECAL	2		"LEAPING DEER"

A13

OUTER GATHERER POINTS

(-466450)

HP2832 -UN-01JAN94



A14

40 SERIES CORN HEADS

OUTER GATHERER POINTS - CONTINUED

(-466450)

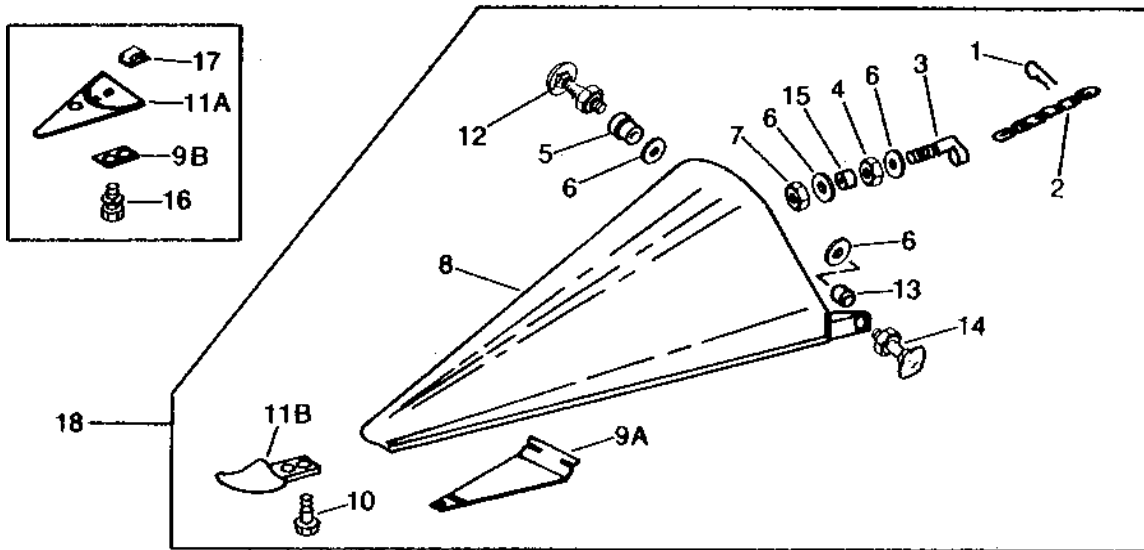
KEY	PART NO.	PART NAME	QTY	SERIAL NO.	REMARKS
1	A3581R	SPRING LOCKING PIN	2		(SUB K40006)
2	AJ9486N	LINK CHAIN	2	-380600	18 LINKS
	AH95980	LINK CHAIN	2	380601-	9 LINKS
3	N103817	BOLT	2		
4	14H813	NUT	2		7/16"
5	H97266	BUSHING	2	-466450	
6	24H1327	WASHER	6	-380600	15/32" X 1-1/8" X 7/64"
	24H1308	WASHER	6	380601-466450	13/32" X 1" X 0.134"
7	C13443	LOCK NUT	2		11.125 MM (7/16")
	K40006	LOCK NUT	2		11.125 MM (7/16")
8	AH89835	GATHERER POINT	1	-380600	R.H. (243, 244, 343, 344, 443, 444, 543, 546, 643, 644, 645, AND 843) (SUB FOR AN102374)
	AH109666	GATHERER POINT	1	-380600	(SUB AH109666) R.H. (243, 244, 343, 344, 443, 444, 543, 546, 643, 644, 645 AND 843)
	AH92404	GATHERER POINT	1	380601-466450	R.H. (243, 244, 343, 344, 443, 444, 543, 546, 643, 644, 645, 843, AND 844) (SUB AH103030)
	AH89836	GATHERER POINT	1	-380600	L.H. (243, 244, 343, 344, 443, 444, 543, 546, 643, 644, 645, AND 843) (SUB FOR AN102375)
	AH109667	GATHERER POINT	1	-380600	(SUB AH109667) L.H. (243, 244, 343, 344, 443, 444, 543, 546, 643, 644, 645 AND 843)
	AH92405	GATHERER POINT	1	380601-466450	L.H. (243, 244, 343, 344, 443, 444, 543, 546, 643, 644, 645, 843, AND 844) (SUB AH103031)
	AN102484	GATHERER POINT	1	-332700	R.H. (642 AND 842)
	AN102485	GATHERER POINT	1	-332700	L.H. (642 AND 842)
9	AN102372	HINGE	1	-380600	R.H.
	AN102373	HINGE	1	-380600	L.H.
10	N10214	SELF-LOCKING SCREW	4	-380600	9.525 X 25.400 MM (3/8" X 1")
	E55662	FLANGE NUT	4	-380600	3/8"
11	H85104	SKID PLATE	2	-466450	
12	N10214	SELF-LOCKING SCREW	4		3/8" X 1"
13	N103631	SHOE	2		
14	03H1495	BOLT	2	-466450	3/8" X 1-1/2"
	E55662	FLANGE NUT	2	-466450	3/8"
15	H96803	BUSHING	2	380601-466450	(SUB H115425)
16	03H1557	BOLT	2	380601-466450	3/8" X 1-1/4"
	E55662	FLANGE NUT	2	380601-466450	3/8"

A15

40 SERIES CORN HEADS

OUTER GATHERER POINTS

(466451-)
HP3282 -UN-01JAN94



HP3282

A16

40 SERIES CORN HEADS

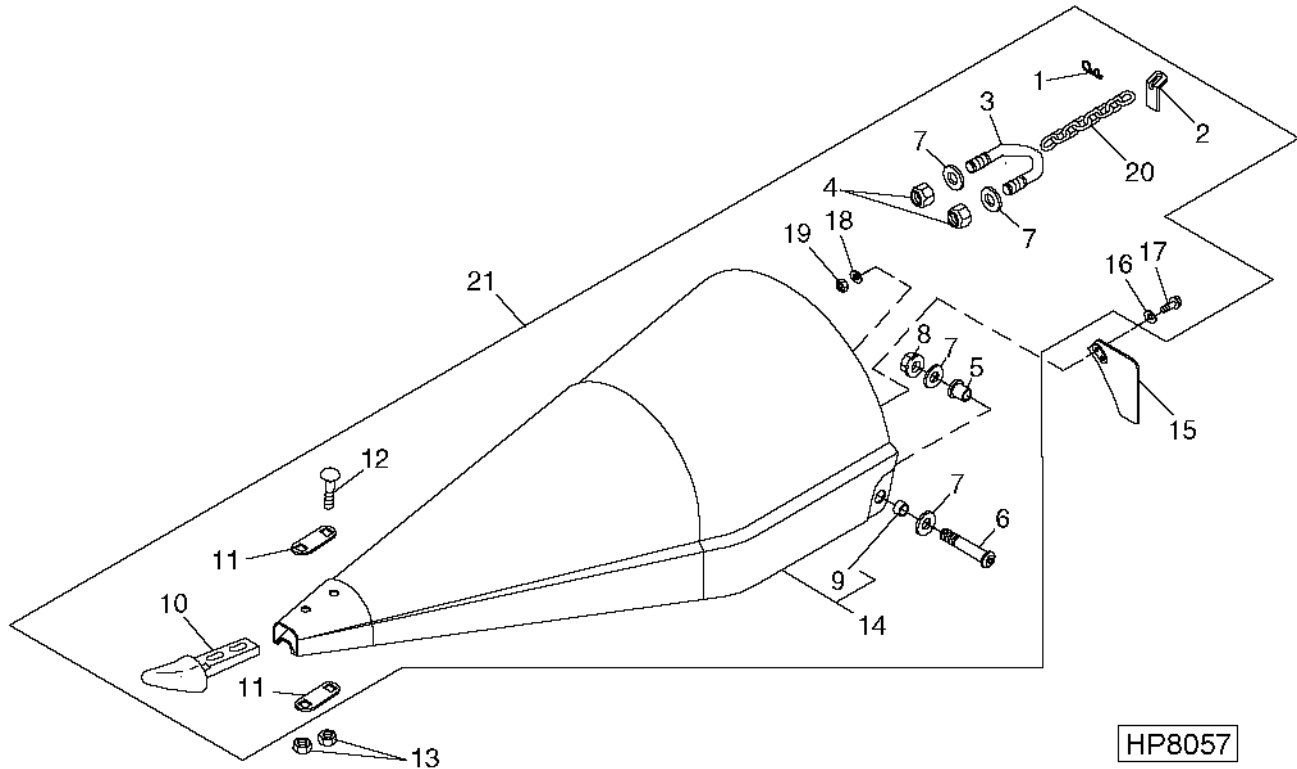
OUTER GATHERER POINTS - CONTINUED
(466451-)

KEY	PART NO.	PART NAME	QTY	SERIAL NO.	REMARKS
1	A3581R	SPRING LOCKING PIN	2		
2	AH95980	LINK CHAIN	2	380601-	9 LINKS
3	N103817	BOLT	2		
4	14H813	NUT	2		7/16"
5	H88704	BUSHING	2	466451-	
6	24H1327	WASHER	6	466451-	15/32" X 1-1/8" X 7/64"
7	K40006	LOCK NUT	2		11.125 MM (7/16")
8	AH103030	GATHERER POINT	1	-600000	R.H. (243, 244, 343, 344, 443, 444, 543, 546, 643, 644, 645, 843, 844 AND 1243) (SUB AH112118 AND AH108835)
	AH112118	GATHERER POINT	1	-600000	R.H. (243, 244, 343, 344, 443, 444, 543, 546, 643, 644, 645, 843, 844 AND 1243) (SUB AH115402, H85104 AND N103631)
	AH115402	GATHERER POINT	1		R.H. (243, 244, 343, 344, 443, 444, 543, 546, 643, 644, 645, 843, AND 1243) (USE WITH H85104 AND N103631)
	AH103031	GATHERER POINT	1	-600000	L.H. (243, 244, 343, 344, 443, 444, 543, 546, 643, 644, 645, 843, 844 AND 1243) (SUB AH112119 AND AH108835)
	AH112119	GATHERER POINT	1	-600000	L.H. (243, 244, 343, 344, 443, 444, 543, 546, 643, 644, 645, 843, 844 AND 1243) (SUB AH115403, H85104 AND N103631)
	AH115403	GATHERER POINT	1		L.H. (243, 244, 343, 344, 443, 444, 543, 546, 643, 644, 645, 843, 844 AND 1243) (USE WITH H85104 AND N103631)
9A	H85104	SKID PLATE	1		
9B	H102844	STRAP	2	466451-600000	(SUB AH112118 AND AH108835)
	AH108835	STRAP	2	-600000	
10	N10214	SELF-LOCKING SCREW	4	-600000	9.525 X 25.400 MM (3/8" X 1")
	N10214	SELF-LOCKING SCREW	2	600001-	9.525 X 25.400 MM (3/8" X 1")
11A	H102827	SHOE	2	466451-600000	
11B	N103631	SHOE	2	-600000	
	N103631	SHOE	1	600001-	
12	03H1574	BOLT	2	466451-	7/16" X 1-1/2"
	K40006	LOCK NUT	2	466451-	11.125 MM (7/16")
13	H108573	SPACER	1	466451-600000	11.506 X 17.145 X 12.700 MM (29/64" X 0.675" X 1/2") (SUB 28H1884, THIS APPLICATION)
	28H1884	SPACER	2		0.493" X 0.675" X 1/2" 3/8" X 1/2"
14	03H1686	BOLT	2	466451-	7/16" X 1-1/4"
	K40006	LOCK NUT	2	466451-	11.125 MM (7/16")
15	28H1884	SPACER	2	466451-	0.493" X 0.675" X 1/2" 3/8" X 7/16"
16	21H993	SCREW	2	466451-600000	1/4" X 3/4"
	12H297	LOCK WASHER	2	466451-600000	1/4"
17	H102554	NUT	2	466451-600000	6.350 MM (1/4")
18	AH104976	GATHERER POINT	1	466451-600000	(SUB AH113020)
	AH113020	GATHERER POINT	1	-600000	(SUB AH113024)
	AH113024	GATHERER POINT	1		R.H. (243,244, 343, 344, 443, 444, 543, 546, 643, 644, 645, 843, 844 AND 1243)
	AH104979	GATHERER POINT	1	466451-600000	(SUB AH113021)
	AH113021	GATHERER POINT	1	-600000	(SUB AH113025)
	AH113025	GATHERER POINT	1		L.H. (243, 244, 343, 344, 443, 444, 543, 546, 643, 644, 645, 843, 844 AND 1243)

A17

40 SERIES CORN HEADS

PERMA-GLIDE-CENTER POINT-28"/30" ROWS
HP8057 -UN-06JAN99



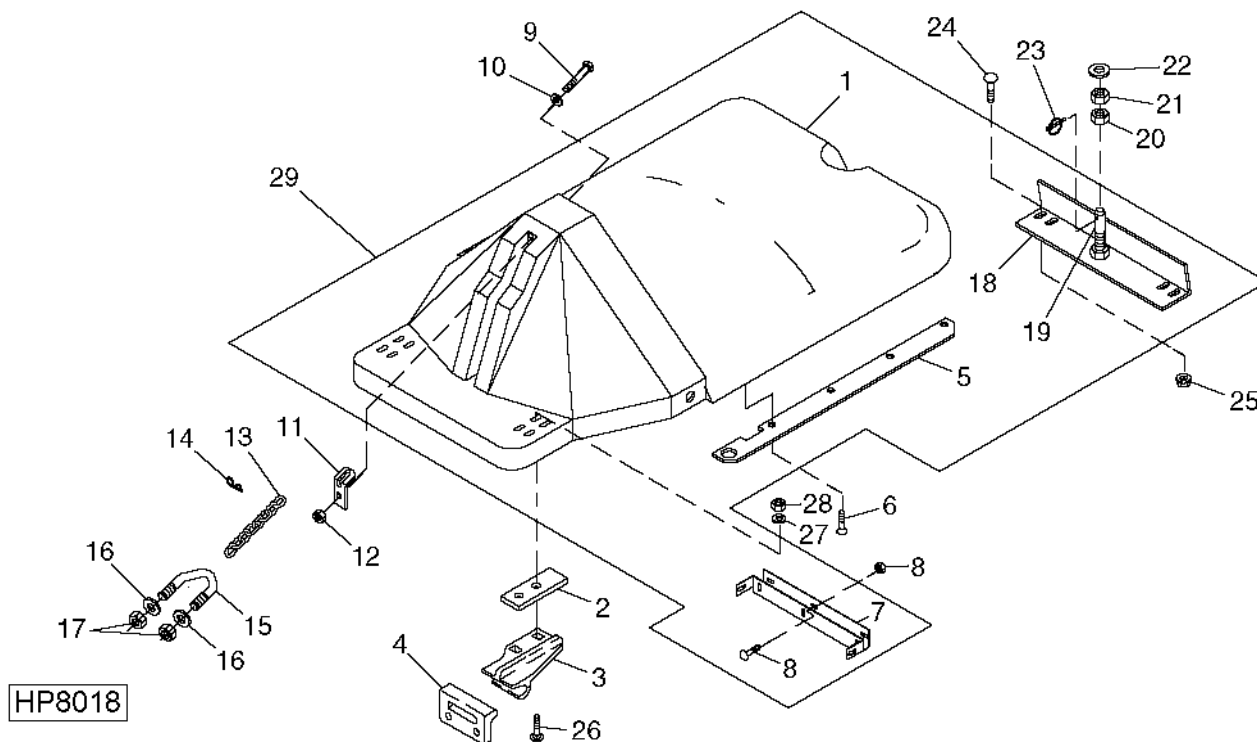
KEY	PART NO.	PART NAME	QTY	SERIAL NO.	REMARKS
1	A3581R	SPRING LOCKING PIN	1		
2	H164229	CLIP	1		
3	N218164	U-BOLT	1		
4	N101346	LOCK NUT	2	11.125 MM	
5	H141850	BUSHING	2		
6	H141991	BOLT	2	M12 X 93	
7	24H1226	WASHER	4	12.700 X 31.750 X 2.108 MM	
8	E80242	LOCK NUT	2	M12	
9	H169694	SPACER	2		
10	H148121	SHOE	1		
11	H148436	STRAP	2		
12	03M7246	BOLT	2	M10 X 60	
13	14M7296	FLANGE NUT	2	M10	
14	AH158422	POINT	1		
15	H166582	GATE	AR		
16	24M7207	WASHER	4	8.400 X 24 X 2 MM	
17	19M7274	CAP SCREW	4	M8 X 70	
18	24H1289	WASHER	4	8.331 X 15.875 X 1.245 MM	
19	14M7166	LOCK NUT	4	M8	
20	AJ9486N	LINK CHAIN	1		
21	AH159908	KIT	1	ALSO ORDER AH159909	

A18

40 SERIES CORN HEADS

PERMA-GLIDE-CENTER COVER-28"/30" ROWS

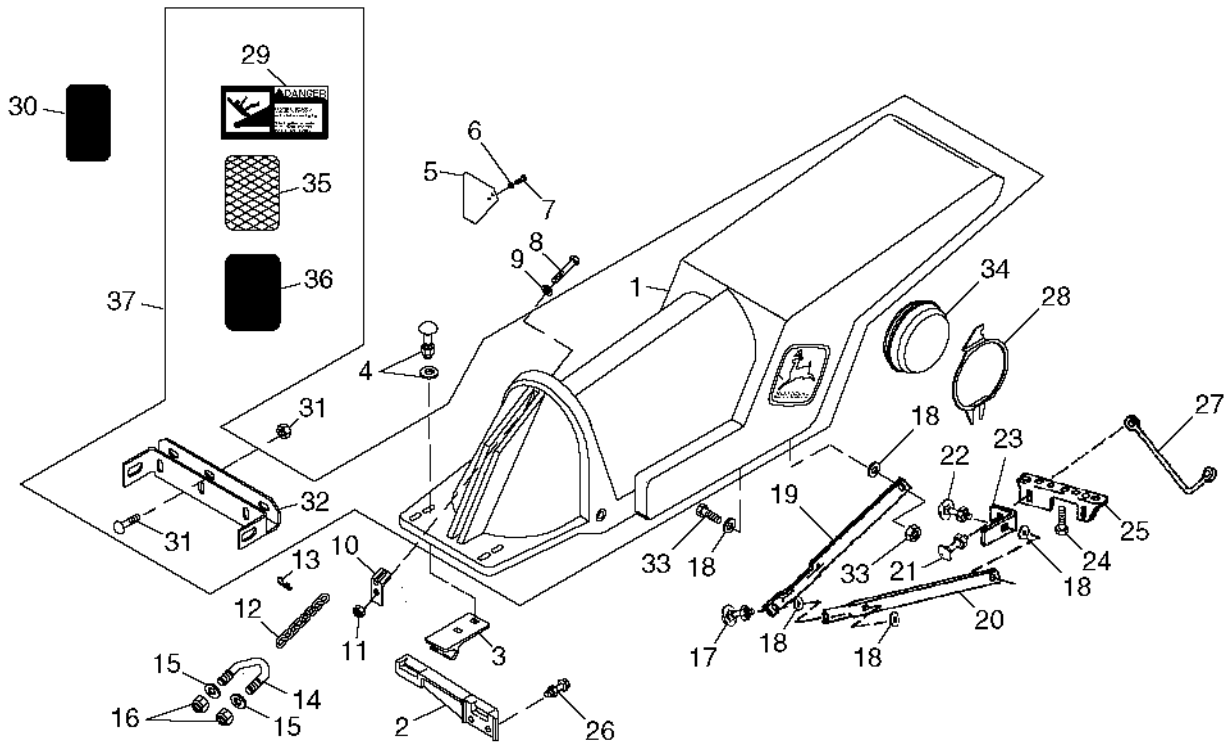
HP8018 -UN-06JAN99



KEY	PART NO.	PART NAME	QTY	SERIAL NO.	REMARKS
1	AH158423	COVER	1		
2	H164392	STRAP	2		
3	N103206	HOOK	AR	R.H.	
	N103207	HOOK	AR	L.H.	
4	H91215	HINGE	AR		
5	H166161	STRIP	1	R.H. (30" ONLY)	
	H166162	STRIP	1	L.H. (30" ONLY)	
6	21M7399	SCREW	8	M6 X 16, (4 EACH FILLER STRIP)	
7	H164228	PIVOT	1		
8	03M7196	BOLT	3	M10 X 50	
	14M7400	LOCK NUT	3	M10	
9	19M8856	CAP SCREW	1	M12 X 210	
10	24M7047	WASHER	1	13 X 24 X 2.500 MM	
11	H164229	CLIP	1		
12	14M7275	NUT	1	M12	
13	AJ9486N	LINK CHAIN	1		
14	A3581R	SPRING LOCKING PIN	1		
15	N218164	U-BOLT	1		
16	24H1226	WASHER	2	12.700 X 31.750 X 2.108 MM	
17	N101346	LOCK NUT	2	11.125 MM	
18	AH157629	BRACKET	1		
19	H164726	STUD	1		
20	14M7260	NUT	1	M16	
21	14M7328	LOCK NUT	1	M16	
22	24H1368	WASHER	1	16.662 X 33.325 X 2.286 MM	
23	M115827	QUICK LOCK PIN	1		
24	03H1500	BOLT	AR	9.525 X 25.400 MM	
25	E55662	FLANGE NUT	AR	9.525 MM	
26	03M7248	BOLT	4	M12 X 90	
27	24H1226	WASHER	4	12.700 X 31.750 X 2.108 MM	
28	14M7400	LOCK NUT	4	M10	
29	AH159909	KIT	1	ALSO ORDER AH159908	

A19

PERMA-GLIDE-FENDER L.H. AND R.H.
HP8019 -UN-06JAN99



A20

40 SERIES CORN HEADS

PERMA-GLIDE-FENDER L.H. AND R.H.-CONTINUED

KEY	PART NO.	PART NAME	QTY	SERIAL NO.	REMARKS
1	AH158424	FENDER	1		R.H. FENDER
	AH158425	FENDER	1		L.H. FENDER (ILLUSTRATED)
2	H109940	HINGE	AR		USE WITH R.H. FENDER
	H109941	HINGE	AR		USE WITH L.H. FENDER
3	H113237	HOOK	AR		
4	03M7246	BOLT	4		
	H135891	LOCK NUT	4		M10
	24H1226	WASHER	4		12.700 X 31.750 X 2.108 MM
5	H152597	GATE	AR		
6	24M7207	WASHER	2		8.400 X 24 X 2 MM
7	19M7868	SCREW	2		M8 X 30
8	19M8856	CAP SCREW	1		M12 X 210
9	24M7074	WASHER	1		11 X 21 X 2 MM
10	H164229	CLIP	1		
11	14M7275	NUT	1		M12
12	AJ9486N	LINK CHAIN	1		
13	A3581R	SPRING LOCKING PIN	1		
14	N218164	U-BOLT	1		
15	24H1226	WASHER	2		12.700 X 31.750 X 2.108 MM
16	N101346	LOCK NUT	2		11.125 MM
17	03H1558	BOLT	AR		9.525 X 38.100 MM
	E50102	LOCK NUT	AR		9.525 MM
18	24H1308	WASHER	AR		10.312 X 25.400 X 3.404 MM
19	H102751	STRAP	AR		
20	H102750	STRAP	AR		
21	03H1500	BOLT	AR		9.525 X 25.400 MM
	E55662	FLANGE NUT	AR		9.525 MM
22	03H1500	BOLT	AR		9.525 X 25.400 MM
	E50102	LOCK NUT	AR		9.525 MM
23	H101253	ANGLE	AR		
24	19M7868	SCREW	2		M8 X 30
25	H100530	SUPPORT	AR		USE WITH R.H. FENDER
	H100531	SUPPORT	AR		USE WITH L.H. FENDER
26	N10214	SELF-LOCKING SCREW	AR		9.525 X 25.400 MM
	E55662	FLANGE NUT	AR		9.525 MM
27	H93010	BRACE	AR		USE WITH R.H. FENDER
	H93011	BRACE	AR		USE WITH L.H. FENDER
28	H166889	PLATE	1		
29	H151336	SIGN	1		"SIGN,DANGER,STALK,ROLLS"
30	JD5902	REFLECTOR	1		
31	03M7196	BOLT	3		M10 X 50
	H135891	LOCK NUT	3		M10
32	H164398	BRACKET	1		
33	19M7658	CAP SCREW	1		M10 X 50
	H135891	LOCK NUT	1		M10
34	H76441	CAP	1		
35	JD5920	REFLECTOR	1		
36	JD5922	REFLECTOR	1		
37	AH159910	KIT	1		R.H.
	AH159911	KIT	1		L.H.