

W8468

-UN-01JAN94



*JOHN DEERE 25 COMBINE HEADER TRANSPORT FRAME
(MANUFACTURED 1981-1985)*

(SPECIFICATIONS AND DESIGN SUBJECT TO CHANGE WITHOUT NOTICE)

SERIAL NUMBERS

WHEN WRITING ABOUT OR FILLING OUT WARRANTY CLAIMS, USE ALL NUMBERS, LETTERS AND SPACES SHOWN ON THE SERIAL NUMBER PLATE.

SERIAL NUMBER PLATE

1501

1501 - DESIGNATES TRANSPORT FRAME SERIAL NUMBER

THE TRANSPORT FRAME SERIAL NUMBER PLATE IS LOCATED ON THE FRONT CROSS BEAM OF FRAME.

SERIAL NUMBER LISTING INFORMATION

SERIAL NUMBER INFORMATION IS LISTED TO SHOW ON WHICH MACHINES EACH PART CAN BE USED; FOR EXAMPLE:

- THE PART CAN BE USED ON ALL MACHINES.
- 000000- THE PART CAN BE USED ON ALL MACHINES BEGINNING WITH THE SERIAL NUMBER LISTED.
- 000000 THE PART CAN BE USED ON ALL MACHINES UP TO AND INCLUDING THE SERIAL NUMBER LISTED.
- 000000-000000 THE PART CAN BE USED ON ALL MACHINES BETWEEN AND INCLUDING THE SERIAL NUMBERS LISTED.

WHEN XXXXXX'S ARE LISTED IN PLACE OF A SERIAL NUMBER, A SERIAL NUMBER CHANGE WAS MADE BUT THE EXACT SERIAL NUMBER WAS NOT AVAILABLE WHEN THE CATALOG WAS PRODUCED.

IMPORTANT

THIS PARTS CATALOG CONTAINS COMPLETE PARTS INFORMATION ON THE 25 COMBINE HEADER TRANSPORT FRAME. VINTAGE IS DETERMINED BY SERIAL NUMBERS UNDER WHICH FRAMES WERE MANUFACTURED. IT IS IMPORTANT THAT THE CORRECT SERIAL NUMBER BE USED WHEN ORDERING PARTS.

DIRECTION ARROW

ARROWS ARE USED WITH ILLUSTRATIONS TO INDICATE THE FRONT OF THE UNIT. "RIGHT-HAND" AND "LEFT-HAND" SIDES ARE DETERMINED BY FACING IN THE DIRECTION OF MACHINE FORWARD TRAVEL.

BOX-ENCLOSED ILLUSTRATIONS

A KEY NUMBER, SHOWN IN THE PARTS LIST, IS ASSIGNED TO A BOX ENCLOSING ALL PARTS SOLD AS A SERVICE ASSEMBLY. A BOX NOT KEYED INCLUDES NON-CURRENT PARTS.

KITS

KIT INFORMATION WILL BE FOUND IMMEDIATELY FOLLOWING THE STORY IN WHICH IT IS USED. THE ILLUSTRATION IS REPEATED WITH ONLY THE KIT PARTS CALLED OUT AND WITH ALL OTHER PARTS SHOWN IN PHANTOM FOR RELATIONSHIP.

BOLT AND CAP SCREW STRENGTH IDENTIFICATION

BOLTS AND CAP SCREWS REQUIRED TO HAVE HIGH-STRENGTH QUALITIES EQUIVALENT TO SAE GRADE 8 ARE IDENTIFIED THROUGHOUT THIS CATALOG BY THE DESCRIPTION HS SAE 8. ALL STANDARD BOLTS AND CAP SCREWS ARE SAE GRADE 5 OR LOWER.

COMPLETE GOODS LISTINGS

COMPLETE GOODS ARE LISTED IN BOLD FACE TYPE. ORDER SEPARATELY. DO NOT INCLUDE ON REPLACEMENT PARTS ORDER.

SI UNITS OF MEASURE

METRIC DIMENSIONS ARE GIVEN, WHERE APPLICABLE, THROUGHOUT THIS PARTS CATALOG.

CHANGE INDICATOR LINE

CHANGES AFFECTING THE ORDERING OF PARTS ARE IDENTIFIED BY VERTICAL LINES MARKED IN THE LEFT-HAND MARGIN OF REVISED PARTS LISTING IMAGES. A LINE IS ALSO AT THE LEFT-HAND EDGE OF THE SAME PART NUMBER IN THE NUMERICAL INDEX TO SHOW THE LOCATION OF REVISED INFORMATION.

ALPHABETICAL INDEX

<i>GRID</i>		<i>PAGE</i>	<i>GRID</i>	<i>PAGE</i>
	D			
F8	DECALS	10		
	E			
F7	EMBLEM, SLOW MOVING VEHICLE	9		
	F			
F2	FRAME	6		
	H			
F6	HITCH	8		
	K			
F8	KIT, DECAL	10		
	L			
F4	LIGHT BAR,TRAILER (FRANCE)	7A		
F4	LIGHTS AND REFLECTORS (FRANCE)	7A		
	R			
F4	REFLECTORS AND LIGHTS (FRANCE)	7A		
	W			
F4	WIRING HARNESS BRACKETS (FRANCE)	7A		
F4	WIRING HARNESS, LIGHTS AND REFLECTORS FRANCE)	7A		

**Thanks very much for your reading,
Want to get more information,
Please click here, Then get the complete
manual**

JustClickHere 

NOTE:

**If there is no response to click on the link above,
please download the PDF document first, and then
click on it.**

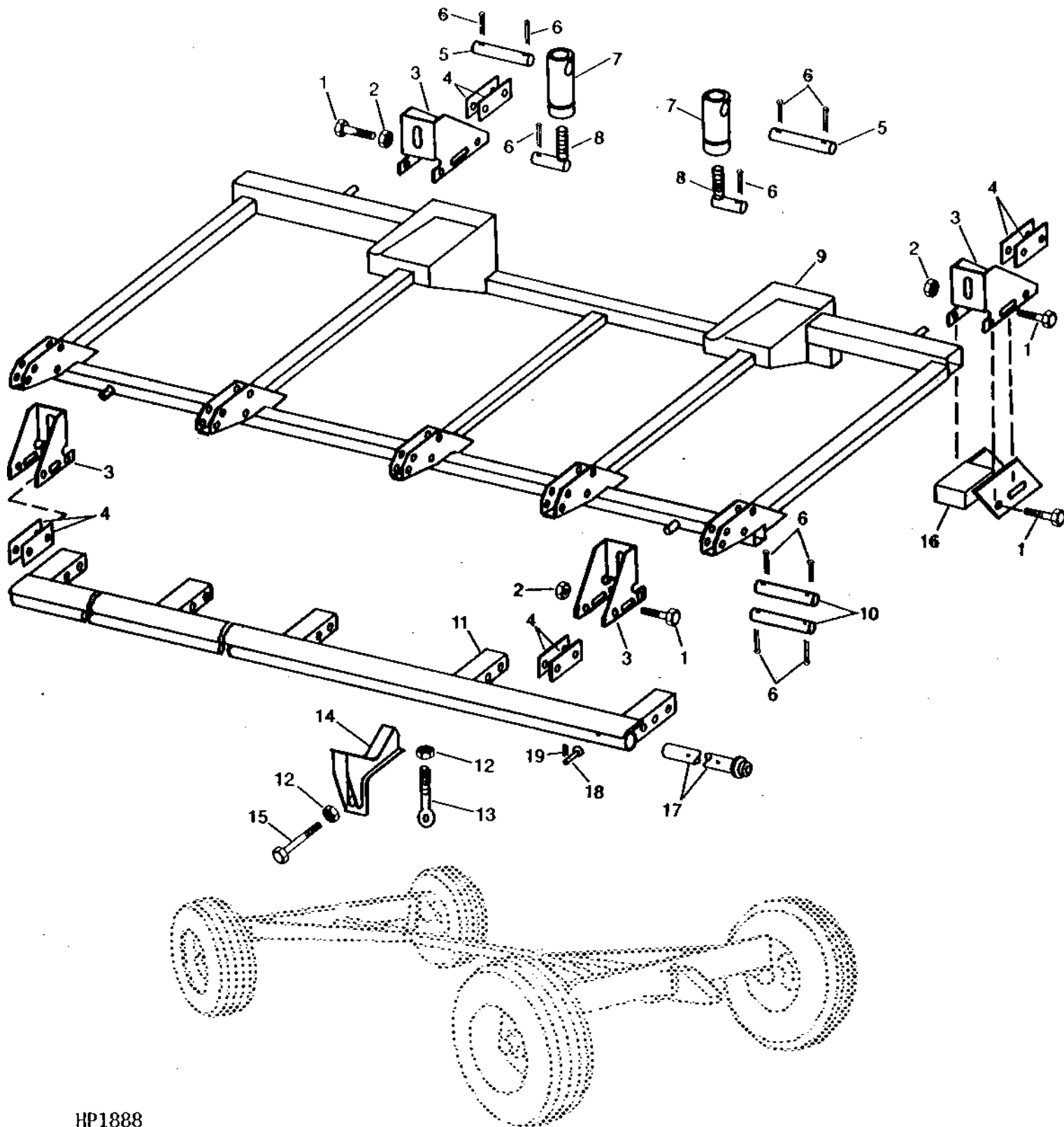
**Have any questions please write to me:
admin@servicemanualperfect.com**

MEMORANDA

F2

HP1888 -UN-01JAN94

FRAME



HP1888

FRAME - CONTINUED

KEY	PART NO.	PART NAME	QTY	SERIAL NO.	REMARKS
1	19H1828 19H2348	CAP SCREW CAP SCREW	8 AR		7/16" X 4" 7/16" X 5" USE WITH AH111337 SPACER ONLY, (4 REQ ON 965, 2 REQ ON 1065-A)
2	K40006	LOCK NUT	8		
3	W33907	BOLSTER	4		
4	H110026	STRAP	8		
5	H148933	PIN	2		(SUB H148933) (SUB FOR H109505)
6	11M7040	COTTER PIN	26		6.300 X 50 MM
7	AH108207	HUB	2		
8	AH108328	PIN	2		
9	AH108198	FRAME	1	-1500	(SUB AH112397)
	AH112397	FRAME	1	-2500	(SUB AH119055)
	AH119055	FRAME	1		
10	H148930	PIN	10		(SUB FOR H95041 OR H118182)
11	AH108205	RAIL	1	-1500	(SUB AH112399)
	AH112399	RAIL	1		
12	E54809	LOCK NUT	8		
13	E55604	EYEBOLT	4		
14	AH108203	SUPPORT	4	-1500	(SUB AH112400)
	AH112400	SUPPORT	1		
15	19H2224	CAP SCREW	4		1/2" X 4-3/4"
16	AH111337	SPACER	2		USE WITH 218, 220 AND 222 PLATFORMS AND 643 AND 653-A HEADS ONLY
17	AH115253	TUBE	2		(SUB FOR AH112530)
18	D10033	PIN	2	1701-	(USE WITH 854A AND 1253A ROW CROP HEADS)
19	B32630	SPRING LOCKING PIN	2	1701-	(USE WITH 854A AND 1253A ROW CROP HEADS)

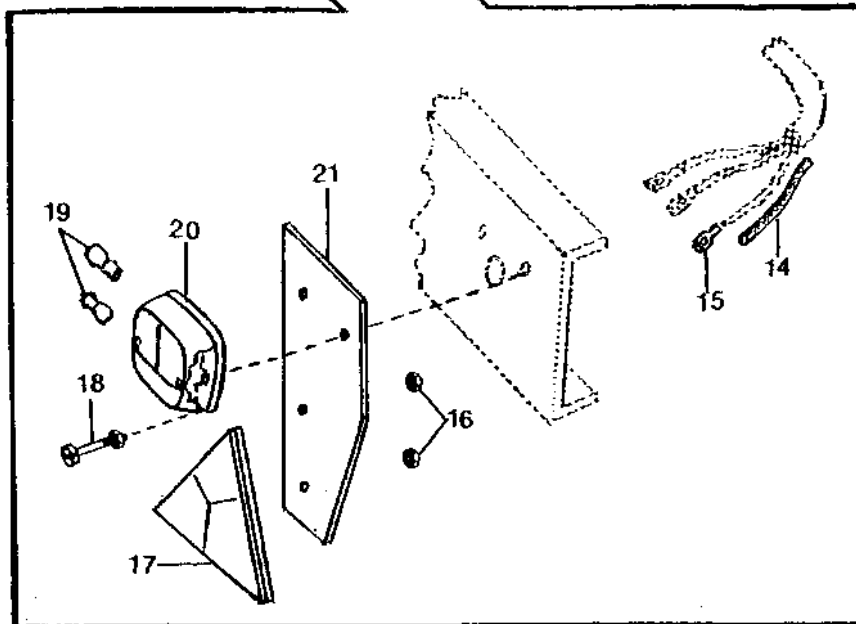
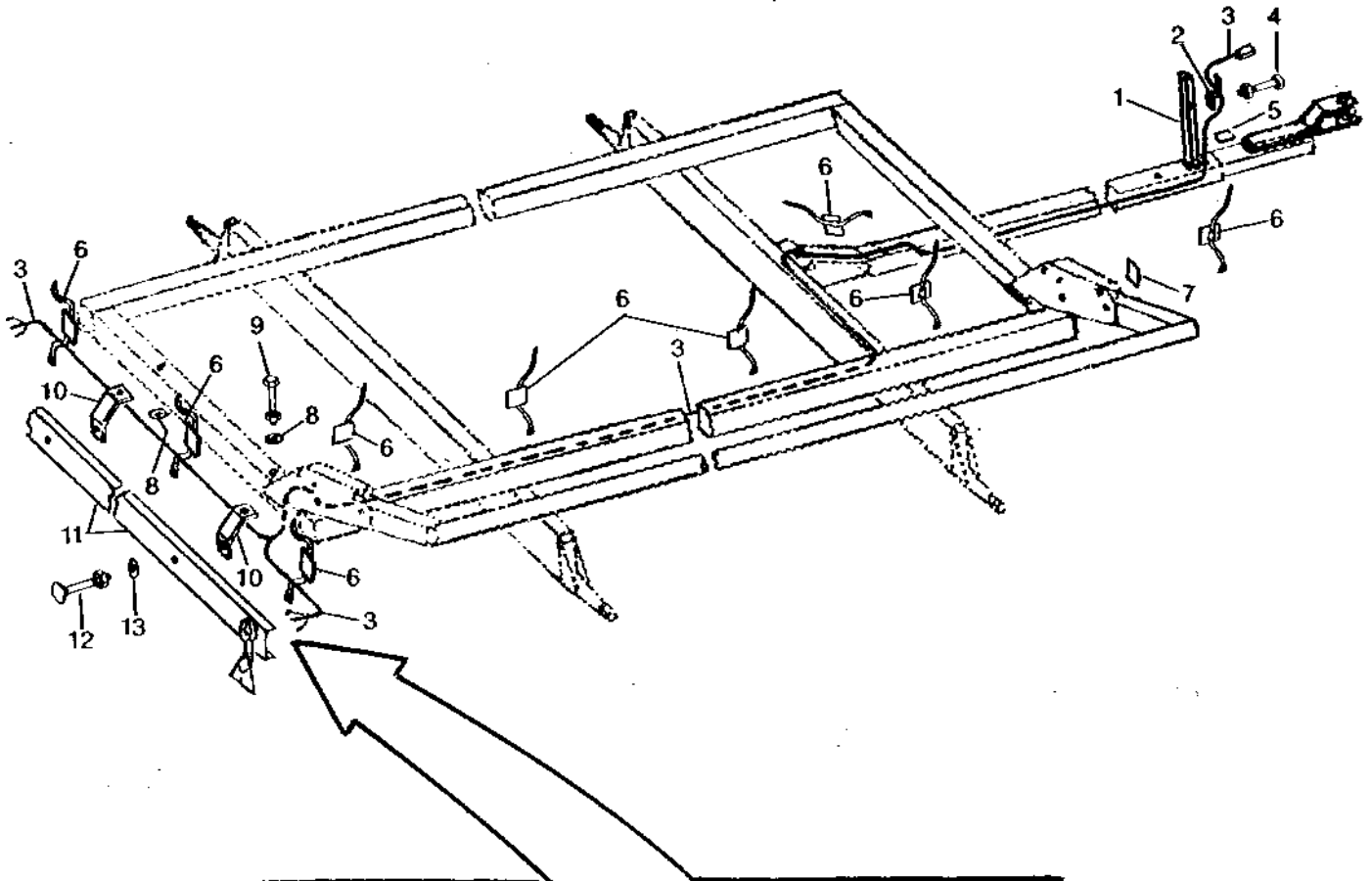
F4

25 COMBINE HEADER TRANSPORT FRAME

WIRING HARNESS, LIGHTS, REFLECTORS AND BRACKETS (EXPORT)
(SERIAL NO. 600001-)

HP2293

-UN-01JAN94



HP2293

F5

25 COMBINE HEADER TRANSPORT FRAME

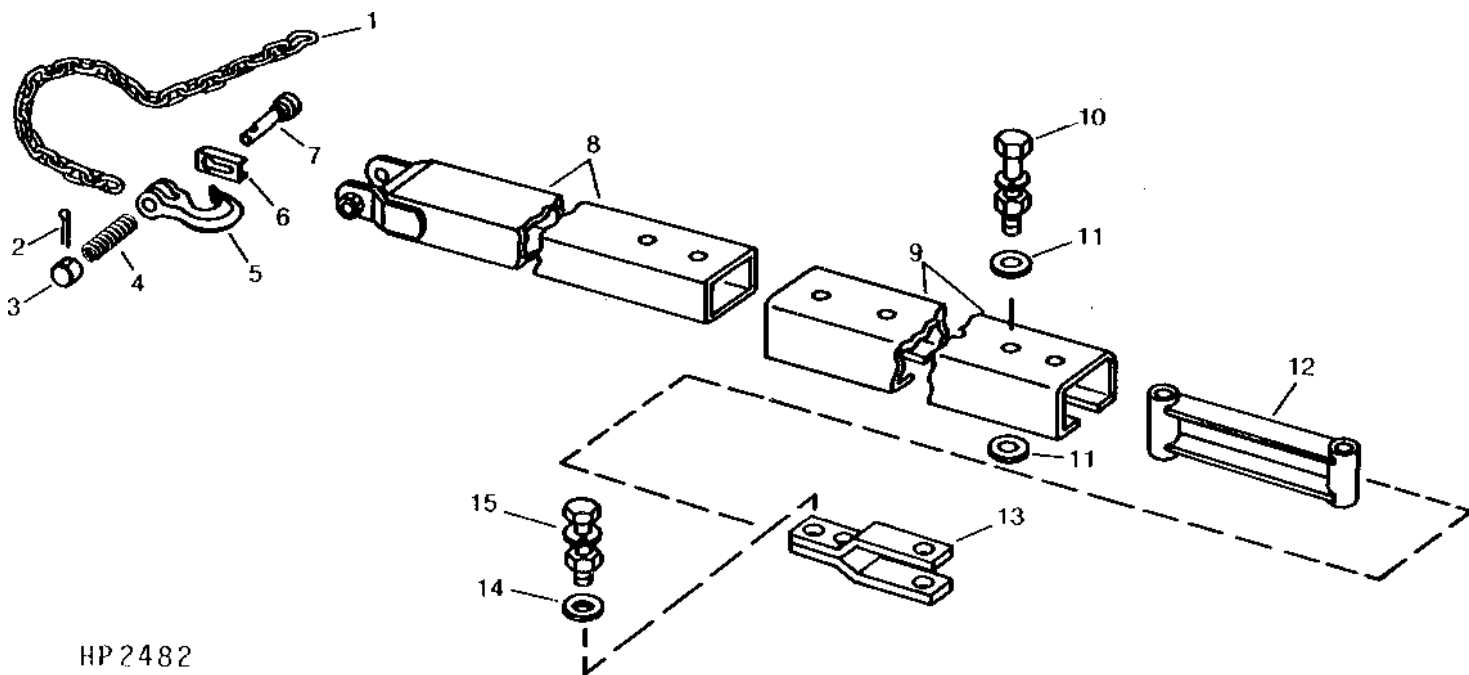
WIRING HARNESS, LIGHTS, REFLECTORS, AND BRACKETS (EXPORT) - CONTINUED
(SERIAL NO. 600001-)

KEY	PART NO.	PART NAME	QTY	SERIAL NO.	REMARKS
1	AH119087	SUPPORT	1		
2	AH78124	CLIP	1		
3	AH119117	WIRING HARNESS	1		
4	AZ15002	ELECTRICAL PLUG	1		
	19H1900	CAP SCREW	1	5/16" X 3/4"	
	12H303	LOCK WASHER	1	5/16"	
	14H785	NUT	1	5/16"	
5	H122834	DECAL	1	CAUTION	
6	Z36647	CLAMP	18		
7	H122835	DECAL	1	RAIL POSITION	
8	24H1305	WASHER	4		
9	19H2228	CAP SCREW	2	3/8" X 4"	
	12H304	LOCK WASHER	2	3/8"	
	14H812	NUT	2	3/8"	
10	H122533	BRACKET	2		
11	H122648	LIGHT BAR	1		
12	03H1540	BOLT	2	5/16" X 3/4"	
	12H303	LOCK WASHER	2	5/16"	
	14H785	NUT	2	5/16"	
13	24H1136	WASHER	2	11/32" X 11/16" X 0.065"	
14	R77503	TUBE	1	3/8" HEAT SHRINK (PKG. OF (8) IN RE11154 KIT)	
15	U46662	TERMINAL	AR	CONNECTOR, ONE CONTACT SINGLE BODY,MALE (IN RE11154 KIT)	
16	14M7027	NUT	4	M6	
	12M7006	LOCK WASHER	4	6.100 MM	
17	AZ13425	REFLECTOR	2	TRIANGLE	
18	21M7142	SCREW	4	M5 X 25	
	12M7064	LOCK WASHER	4	5.100 MM	
	14M7028	NUT	4		
19	57M7014	BULB	4		
20	AL67208	LAMP	1	(SUB FOR AT43600) LEFT HAND	
	AL67206	LAMP	1	(SUB FOR AT43601) RIGHT HAND	
21	Z26096	BRACKET	1		

F6

HP2482 -UN-01JAN94

HITCH

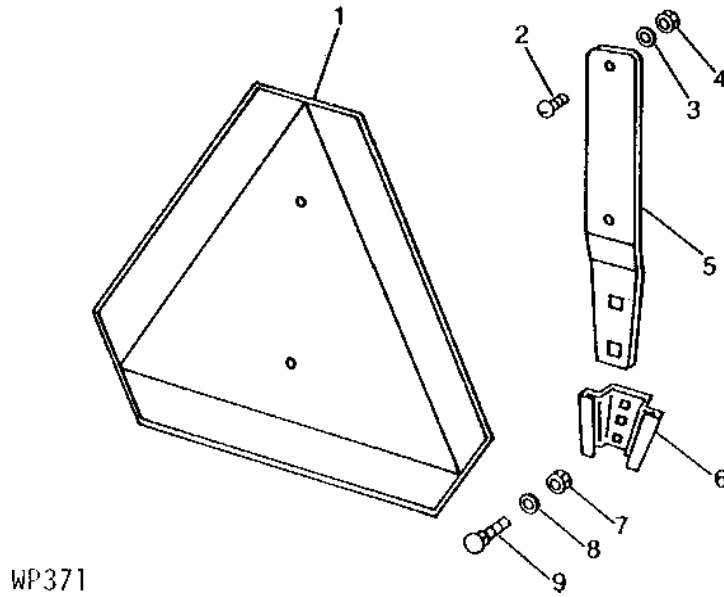


HP 2482

KEY	PART NO.	PART NAME	QTY	SERIAL NO.	REMARKS
1	AR100279	LINK CHAIN	1	2501-	
2	34H248	SPRING PIN	1	2501-	1/8" X 13/16"
3	R74597	RETAINER	1	2501-	
4	R74594	SPRING	1	2501-	
5	R69398	HOOK	1	2501-	
6	R74596	LATCH	1	2501-	
7	R74595	PIN	1	2501-	
8	AH108204	TUBE	1		
9	H109497	BEAM	1		
10	19H2725	CAP SCREW	2		3/4" X 3-3/4"
	12H236	LOCK WASHER	2		3/4"
	14H794	NUT	2		3/4"
11	24H1236	WASHER	4		13/16" X 2" X 0.149"
12	AH108528	SPACER	1		
13	AW21472	CLEVIS	1	-2500	(SUB AW25105)
	AW25105	CLEVIS	1	2501-	
14	N72306	WASHER	2	2501-	
15	19H1734	CAP SCREW	2	-2500	5/8" X 2"
	19H1824	CAP SCREW	2	2501-	5/8" X 2-1/4"
	12H294	LOCK WASHER	2		5/8"
	14H1039	NUT	2		5/8"

SLOW MOVING VEHICLE EMBLEM

WP371 -UN-01JAN94



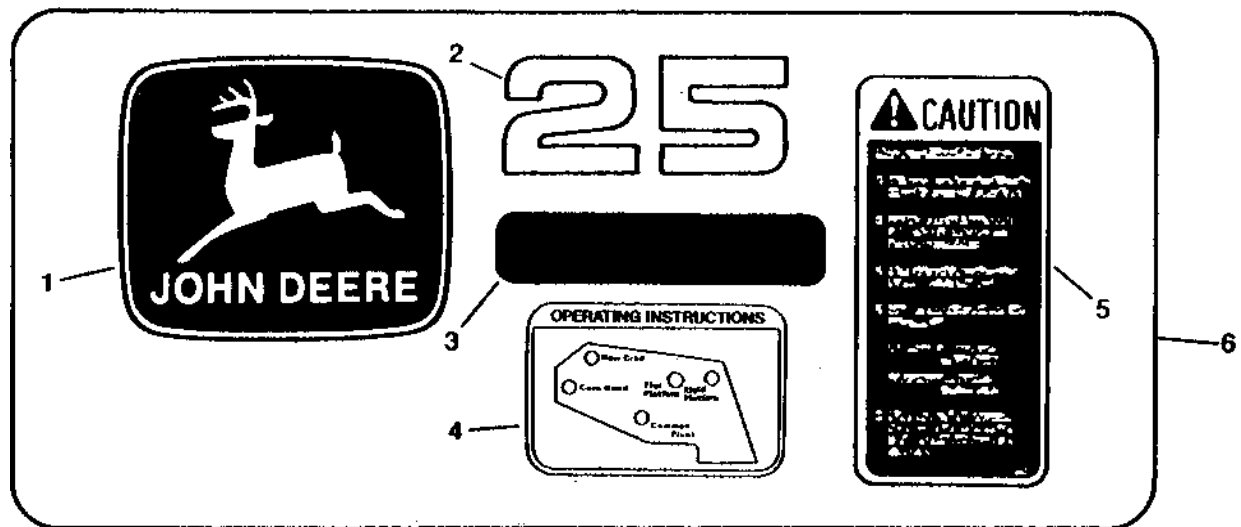
WP371

KEY	PART NO.	PART NAME	QTY	SERIAL NO.	REMARKS
1	AR61194	SIGN	1		
2	21H1148	SCREW	2		0.190" X 3/4"
3	12H246	LOCK WASHER	2		0.190"
4	14H778	NUT	2		0.190"
5	JD5404	BRACKET	1		
6	JD126	SOCKET	1		
7	14H785	NUT	2		5/16"
8	12H303	LOCK WASHER	2		5/16"
9	03H1540	BOLT	2		5/16" X 3/4"

F8

HP1665 -UN-01JAN94

DECALS



HP1665

KEY	PART NO.	PART NAME	QTY	SERIAL NO.	REMARKS
1	JD5597	DECAL	1		LEAPING DEER, 100 MM (4")
2	W33360	DECAL	1		
3	JD5901	REFLECTOR	2		(RED) (SUB FOR JD5578)
4	H110063	DECAL	1	-1500	(SUB H114781)
	H114781	DECAL	1		OPERATING INSTRUCTIONS (RAILING POSITIONS)
5	W33460	DECAL	1		"CAUTION"
6	AW22422	KIT	1		(SUB H114781, (2) JD5901, JD5597, W33360 AND W33460)