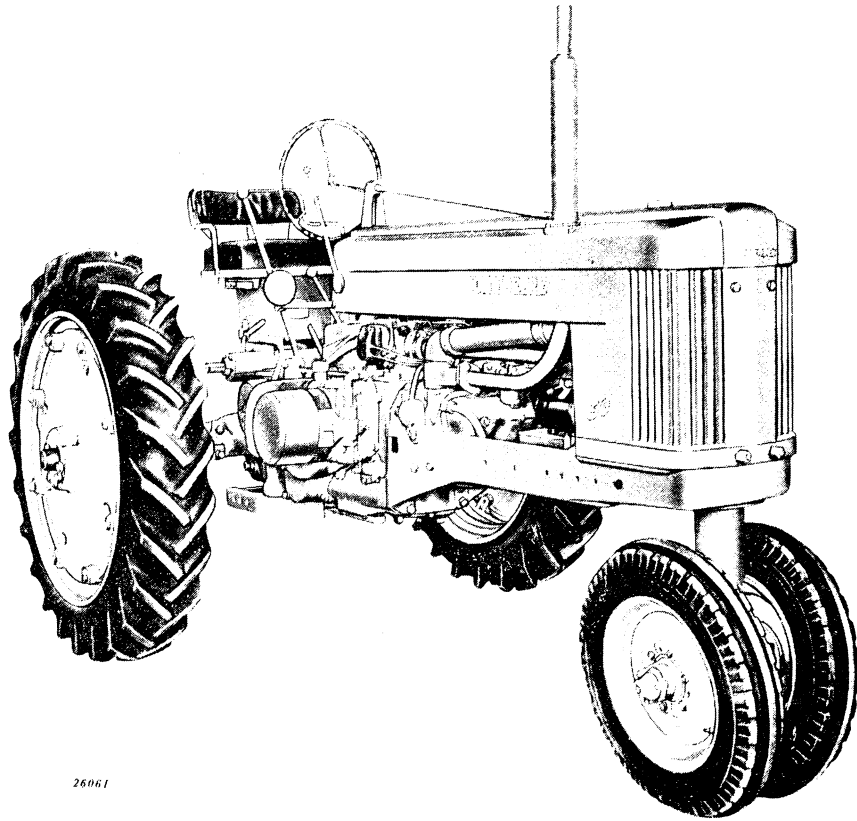




**JOHN DEERE**  
**Parts Catalog**

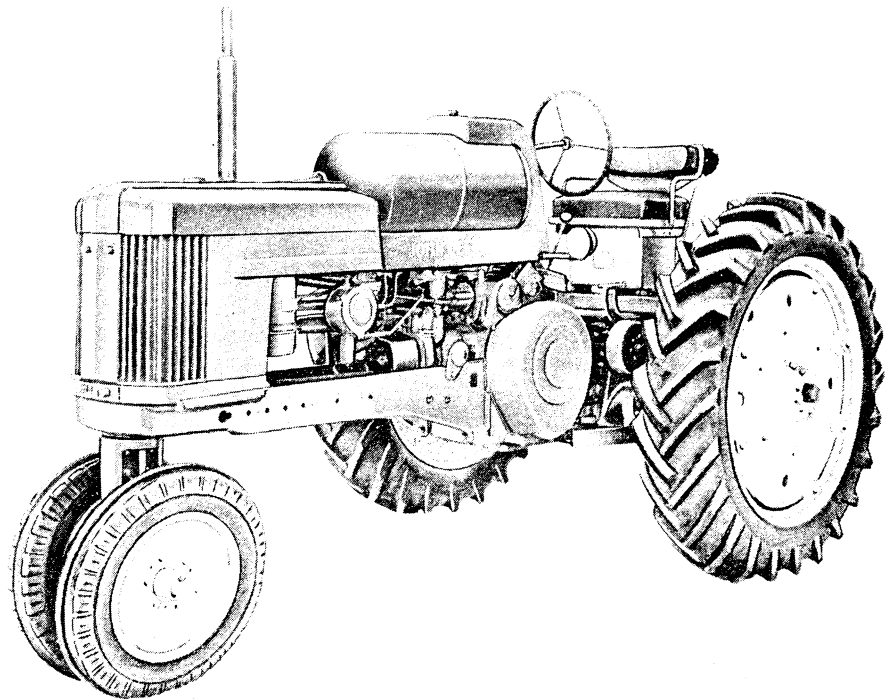
**MODEL "50" TRACTOR**

**PC264**



26061

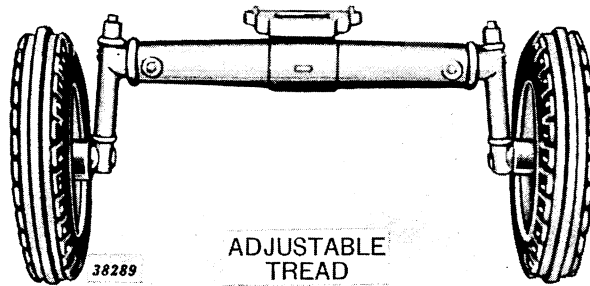
*John Deere Model "50" Tractor—Pulley Side*



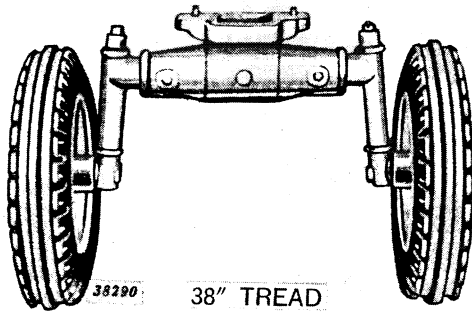
42179

*John Deere Model "50" LP-Gas Tractor—Flywheel Side*

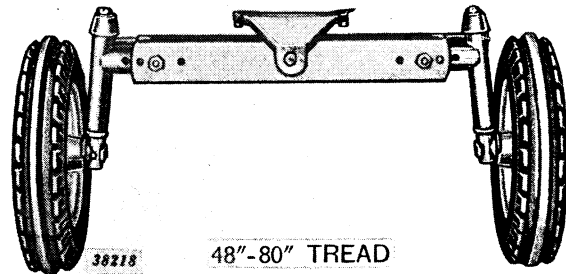




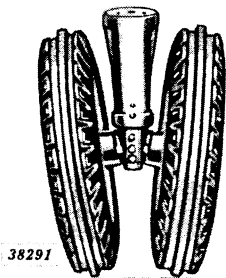
ADJUSTABLE  
TREAD



38" TREAD



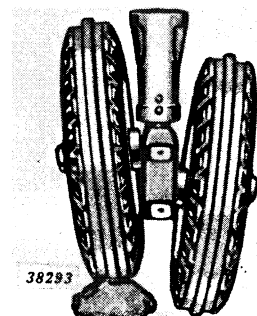
48"-80" TREAD



DOUBLE



SINGLE



ROLL-O-MATIC

*Front Wheel Equipment Available for John Deere Model "50" Tractor  
with Convertible Pedestal*



### EXPLANATION OF SERIAL NUMBERS

Serial number information given on any page is applicable only to parts listed and illustrated on that page.

When the parentheses include only the dash..... (        -        )  
the part is used on all Model "50" Tractors.

When a serial number appears before the dash..... (0000000-        )  
the part was introduced beginning with that serial number and is still being used.

When a serial number appears after the dash..... (        -0000000)  
the part was used up to and including that serial number but was not used after that serial number.

When serial numbers appear both before and after the dash..... (0000000-0000000)  
the part was used beginning with the first serial number but was not used after the second serial number.

When a serial number begins with PCV or 3RC..... (PCV000-        )  
it refers to the power take-off shaft, Powr-Trol, or remote cylinder, and not to the tractor.

When a serial number contains xxxxxxx before the dash..... ( xxxxxxx-        )  
the part is approved for production but the beginning serial number was not established when this catalog went to press.

When a serial number contains xxxxxxx after the dash..... (        -xxxxxxx )  
the part is discontinued but the last serial number was not established when this catalog went to press.

### EXPLANATION OF SUBSTITUTION INFORMATION

Part substitution information given on any page is applicable only to parts listed and illustrated on that page.

### EXPLANATION OF PACKAGED PARTS

For added protection and ease of handling between the factory and branch houses and between the branch houses and most dealers, some parts which appear in this catalog, such as gaskets, are packed in packages which contain more than one of the part—usually five or ten. Dealers may order either the packages or the individual parts from the branch houses. However, when possible the package or multiples of the package should be specified.

These parts should not be confused with other packaged items which are packaged in certain quantities but cannot be ordered individually.

Both types of packaged parts are identified by a statement which appears in the Description Column.

When the statement reads:

**"Packed 5 in a pkg."** or **"Packed 10 in a pkg.,"** etc., dealers may order either the packages or the individual parts from the branch houses. The packages bear the same part number as the individual parts.

When the statement reads:

**"Package of 25"** or **"Package of 50,"** etc., the parts cannot be ordered individually. The number which appears in the Part Number Column is a "package" number and not the part number of the individual part.

**Thanks very much for your reading,  
Want to get more information,  
Please click here, Then get the complete  
manual**

**JustClickHere** 

**NOTE:**

**If there is no response to click on the link above,  
please download the PDF document first, and then  
click on it.**

**Have any questions please write to me:  
[admin@servicemanualperfect.com](mailto:admin@servicemanualperfect.com)**

## SECTIONAL INDEX

	Page		Page
Section 5—General Information.....	5-1, 6	Section 45—Steering Mechanism, Front End Equipment, and Rear Wheels.....	45-2, 29
Section 10—Front End Support and Engine- Transmission Case.....	10-1, 5	Section 50—Tools, Instrument Panel, Gauges, Hood, Grille, and Fenders.....	50-2, 12
Section 15—Engine.....	15-2, 25	Section 55—Drawbar and Seat.....	55-1, 5
Section 20—Pulley and Clutch.....	20-2, 7	Section 60—Power Shaft and Power Shaft Clutch.....	60-2, 19
Section 25—Cooling System.....	25-2, 13	Section 65—Hydraulic Mechanism.....	65-2, 18
Section 30—Fuel System.....	30-2, 31	Section 70—Umbrella Holder, Decals, and Gasket Sets.....	70-1, 10
Section 35—Electrical System.....	35-2, 35	Section 75—Numerical Index.....	75-1
Section 40—Transmission, Differential, Final Drives, Power Shaft, and Brakes.....	40-2, 13		
Section 41—Power Steering.....	41-2, 13		

## ALPHABETICAL INDEX

	Page		Page
<b>A</b>			
Air Cleaner.....	30-14, 16		
<b>B</b>			
Battery Box.....	55-2		
Brakes.....	40-12		
Brake, Pulley.....	20-4		
Breakaway Coupling.....	65-16		
<b>C</b>			
Cab, Weatherbrake.....	50-12		
Cam Followers.....	15-16		
Camshaft.....	15-16		
Carburetor Choke Lever Kit.....	70-4		
Carburetor (Dual Induction).....	30-18		
Carburetor (Single Induction).....	30-20		
Carburetor (LP-Gas).....	30-22		
Case, Engine and Transmission.....	10-4		
Choke Lever Kit, Carburetor.....	70-4		
Choke Rod.....	30-4		
Clutch, Pulley.....	20-2		
Clutch, Power Shaft.....	60-18		
Clutch Fork Bearing.....	20-4		
Clutch Operating Parts.....	20-4		
Coil, Ignition.....	35-16, 17		
Connecting Rods.....	15-8		
Control, Power Shaft Clutch.....	60-14		
Controls, Starting Motor.....	35-10		
Control, Throttle.....	30-4		
Convertible Front End, Double Front Wheel ..	45-12		
Convertible Front End, Roll-O-Matic.....	45-14		
Convertible Front End, Single Front Wheel ..	45-16		
Convertible Pedestal.....	45-10		
Cooling System.....	25-2, 4, 6		
Countershaft.....	40-6		
Coupling, Breakaway.....	65-16		
Cover, First Reduction Gear.....	20-6		
Cover, Flywheel.....	10-4		
Cover, Crankcase.....	10-4		
Cover, Fourth and Sixth Speed Gear.....	10-4		
Cover, Transmission Case.....	40-2		
Crankshaft.....	15-6		
Cylinder Block.....	15-8		
Cylinder Head (Dual Induction Carburetion)...	15-12		
Cylinder Head (Single Induction Carburetion)...	15-14		
Cylinder, Remote (Fixed-Stop Type).....	65-12		
Cylinder, Remote (Hydraulic-Stop Type).....	65-14		
<b>D</b>			
Decalcomania Sets.....	70-3		
Differential.....	40-8		
Distributor (Wico).....	35-12		
Distributor (Delco-Remy).....	35-14		
Distributor Drive (LP-Gas).....	35-18		
Distributor (LP-Gas).....	35-20		
Double Front Wheel, Convertible.....	45-12		
Drawbar.....	55-1		
<b>E</b>			
Exhaust Pipe.....	15-18, 20, 22		
<b>F</b>			
Fan.....	25-12		
Fan and Power Steering Pump.....	41-4		
Fan Shaft.....	25-10		
Fan Shaft Support.....	25-10		
Fenders.....	50-12		
Final Drive.....	40-10		
Flywheel.....	15-6		
Front End Support.....	10-2		
Front Axle Knee.....	45-22		
Front Axle Knee (48" to 80" Tread).....	45-26		
Front Axle Housing.....	45-20		
Front Axle Housing (48" to 80" Tread).....	45-24		
Front Wheels (Except Single Front Wheel) ..	45-18		
Fuel Converter (LP-Gas).....	30-26		
Fuel Converter Parts (LP-Gas).....	30-30		
Fuel Strainer (LP-Gas).....	30-26		
Fuel Strainer Parts (LP-Gas).....	30-28		
Fuel System (LP-Gas).....	30-24		
Fuel Filter (All-Fuel).....	30-9		
Fuel Filter (Gasoline).....	30-8		
Fuel Filter with Automatic Shut-Off.....	30-10		
Fuel Tank (All-Fuel).....	30-12		
Fuel Tank (Gasoline).....	30-6		
<b>G</b>			
Gasket Sets.....	70-3, 4, 5, 6, 7, 8, 9		
Gauges.....	50-4		
Gear, Countershaft Idler.....	40-6		
Gears, Transmission Drive and First Reduction	40-6		
Gear, Power Shaft Idler.....	40-6		



## ALPHABETICAL INDEX—Continued

	Page	R	Page
Gear Shift.....	40-2	Radiator.....	25-2, 4
Gear Shift Forks.....	40-4	Rear Axle Shafts.....	40-10
Generator and Mounting Bracket.....	35-2	Rear Wheels.....	45-28
Generator (Parts).....	35-4, 6, 34	Regulator, Current and Voltage.....	35-8
Governor.....	30-2	Replacement Assemblies.....	10-1
Grille.....	50-10	Reusable Oil Line Couplings.....	65-18
<b>H</b>			
Hood.....	50-6, 8	Rim, Demountable.....	45-28
Hose, Remove Cylinder.....	65-12, 14	Rockshaft Assembly.....	65-6
Hour Meter.....	50-4	Roll-O-Matic (Except Convertible).....	45-8
Housing, Power Shaft Clutch.....	60-16	Roll-O-Matic (Convertible).....	45-14
Housing, Power Shaft and Powr-Trol (Engine-Driven Power Shaft).....	60-10	<b>S</b>	
Housing, Power Shaft and Powr-Trol (Transmission-Driven Power Shaft).....	60-4	Seat, Float Ride.....	55-4, 5
Housing, Power Shaft, less Powr-Trol (Engine-Driven Power Shaft).....	60-12	Seat, Regular.....	55-2
Housing, Power Shaft, less Powr-Trol (Transmission-Driven Power Shaft).....	60-6	Selector Valve.....	65-16
Housing, Powr-Trol Valve.....	65-8, 10	Shaft, Steering, and Wheel.....	45-2
<b>I</b>			
Instrument Panel.....	50-4	Shifter, Shafts.....	40-4
Instrument Panel and Wiring (LP-Gas).....	35-33	Shutter and Controls.....	25-8
<b>L</b>			
Lamp, Combination Rear and Warning.....	35-23	Single Front Wheels.....	45-16
Lamp, Dash.....	35-32	Sliding Gear Shaft.....	40-6
Lamps, Front and Rear (Parts).....	35-22, 23	Socket, Electrical Outlet.....	55-2
Lamp, Implement Warning.....	35-24	Speed-Hour Meter.....	50-3
Lamp, Warning, for Towed Implements.....	35-25	Starting Motor (Parts).....	35-10
Lamps and Wiring.....	35-26, 28, 30	Starting Motor and Controls.....	35-10
Lighter, Cigarette.....	35-32	Steering Shaft, Worm and Housing (Power Steering).....	41-6
<b>M</b>			
Main Bearings.....	15-6	Steering Spindle (Except Convertible).....	45-6
Manifold (Gasoline).....	15-18	Steering Spindle (Convertible).....	45-10
Manifold (All-Fuel).....	15-20, 22	Steering Valve (Power Steering).....	41-8
Manual, Operator's.....	70-3	Steering Wheel and Shaft.....	45-2
Muffler and Exhaust Pipe (Gasoline).....	15-18	Step, Tractor.....	50-2
Muffler and Exhaust Pipe (All-Fuel).....	15-20, 22	Support, Steering Shaft.....	45-2, 4
Muffler and Tail Pipe.....	15-24	Switch, Ignition.....	35-32
<b>O</b>			
Oil Filter and Oil Pipes.....	15-2	<b>T</b>	
Oil Line, Flexible Bulk.....	65-18	Tappets.....	15-12, 14
Oil Pump and Oil Pipes.....	15-4	Thermostat.....	25-2, 4, 6
Oil Tubes (Power Steering).....	41-12	Tools.....	50-2
Oil Tubes, Powr-Trol Pump.....	65-4	Tool Box.....	10-2
Operator's Manual.....	70-3	Transmission.....	40-6
<b>P</b>			
Pedestal (Except Convertible).....	45-6	Tubes, Oil (Power Steering).....	41-10
Pedestal and Steering Spindle (Power Steering).....	41-10	Tubes, Oil, Powr-Trol Pump.....	65-4
Pedestal (Convertible).....	45-10	<b>U</b>	
Pistons.....	15-8	Umbrella Bracket.....	70-2
Piston Rings.....	15-8	<b>V</b>	
Platform.....	55-2	Valves.....	15-12, 14
Power Shaft (Transmission-Driven).....	60-2	Valve Housing, Powr-Trol.....	65-8, 10
Power Shaft (Engine-Driven).....	60-8	Ventilator Pump.....	25-12
Power Shaft Clutch.....	60-18	Ventilator Pump and Fan Drive (Power Steering).....	41-2
Pulley.....	20-2	Voltage and Current Regulator.....	35-8
Pump, Oil.....	15-4	<b>W</b>	
Pump, Ventilator.....	25-10	Water, Pump.....	25-10
Pump, Powr-Trol.....	65-2	Weatherbrake.....	50-12
Pump, Power Shaft.....	60-10, 12	Weight, Front End Support.....	10-2
Pump, Water.....	25-8	Wheels, Front (Except Single Front Wheel).....	45-18
		Wheels, Single Front.....	45-16
		Wheels, Rear.....	45-28
		Wiring.....	35-26, 28, 30



# ORDERING JOHN DEERE PARTS FROM THE BRANCH HOUSE

## PART AND KEY NUMBERS

1. Order by part numbers **exactly** as shown in catalog including prefix and suffix letters. Be especially cautious when ordering such items as lock washers, rivets, bolts, and other hardware.
2. Key numbers should not be listed. They are used only as reference between illustrations and parts lists.
3. When ordering parts for carburetors, generators, magnetos, etc., in addition to including a short description of the part, include name of unit, as for example—"Wico Magneto," "Hercules Engine," etc.
4. When ordering items not on hand or regularly carried in stock, be sure to check machine and vintage (date or serial number) information.

## USE OF PARTS CATALOG INDEX

1. Use index in front of each catalog to locate groups of parts such as axles, beams, cylinders, etc.
2. To locate information on individual part numbers, use numerical index in back of catalog (printed on yellow pages.)
3. Orders for parts should never be made up from information in numerical index—always refer to illustration and parts list pages.

## WRITING UP ORDERS

1. To insure quick service, use Standard Parts Order Blanks furnished by branch house. (You may assign your own order number to be used as reference.)
2. Order parts separately from whole goods.
3. Correspondence should be separate from orders for parts.
4. List part numbers in alphabetical and numerical sequence by factory lines (which can be determined by the last suffix letter after each part number.)
5. Write or print information on orders plainly.

## SHIPPING INFORMATION

1. Specify how goods are to be shipped—whether by Freight (specify routing), Truck (specify carrier), Express, Air Express, Parcel Post, or Air Parcel Post.
2. Telegraph orders should give shipping instructions. Shipment will be made by Express or Parcel Post unless otherwise specified.
3. Send order to branch house. Do not order directly from factory.

## IF NO PART NUMBER OR DESCRIPTION IS AVAILABLE

If part number cannot be located, send a sketch or return the broken part (shipping charges prepaid) to the branch house. Give the branch house parts department all information available concerning the name of the machine, age or serial number, location and description of part or numbers of adjacent parts, so new part can be identified and shipped quickly.



**ENGINE REPLACEMENT ASSEMBLIES**

(Serial No. 5000001- )

**CRANKSHAFT WITH BEARING GROUP**

This Group Is Made Up of Three Assemblies (1) of Crankshaft with Gear, (2) of Main Bearing Housings with Bushings and Connecting Rod Bushings, (3) of Gaskets.

Crankshaft with Bearing Group..... ( - )

Order: 1—AB 4684 R Crankshaft  
 1—AB 4680 R Main Bearing Housings with Bushings and Connecting Rod Bushings  
 1—AB 4675 R Gasket Set\*

**CYLINDER BLOCK, PISTONS, RINGS, AND GASKET GROUP**

This Group Is Made Up of Three Assemblies (1) of Cylinder Block, (2) of Pistons with Rings and Pins, (3) of Gaskets.

Cylinder Block, Pistons, Rings, and Gasket Group (**All-Fuel**)..... ( -5015950)

Order: 1—AB 4513 R Cylinder Block  
 1—AB 3919 R Pistons with Rings and Pins  
 1—AB 4676 R Gasket Set\*

Cylinder Block, Pistons, Rings, and Gasket Group (**Gasoline**)..... ( - )  
 (**All-Fuel**)..... (5015951- )

Order: 1—AB 4630 R Cylinder Block  
 1—AB 4641 R Pistons with Rings and Pins (**Gasoline**)  
 1—AB 4742 R Piston with Rings and Pins (**All-Fuel**)  
 1—AB 4677 R Gasket Set\*

**COMBINATION CYLINDER BLOCK AND CRANKSHAFT GROUP**

This Group Is Made Up of Six Assemblies (or Two Groups)—Crankshaft with Bearings and Cylinder Block with Pistons, Rings, Gaskets, Etc. (1) Crankshaft, (2) Main Bearing Housings with Bushings and Connecting Rod Bushings, (3) Cylinder Block, (4) Pistons with Rings and Pins, (5 and 6) Gaskets.

Cylinder Block and Crankshaft Group (**All-Fuel**)..... ( -5015950)

Order: 1—AB 4513 R Cylinder Block  
 1—AB 3919 R Pistons with Rings and Pins  
 1—AB 4684 R Crankshaft  
 1—AB 4680 R Main Bearing Housings with Bushings and Connecting Rod Bushings  
 1—AB 4675 R Gasket Set\*  
 1—AB 4676 R Gasket Set\*

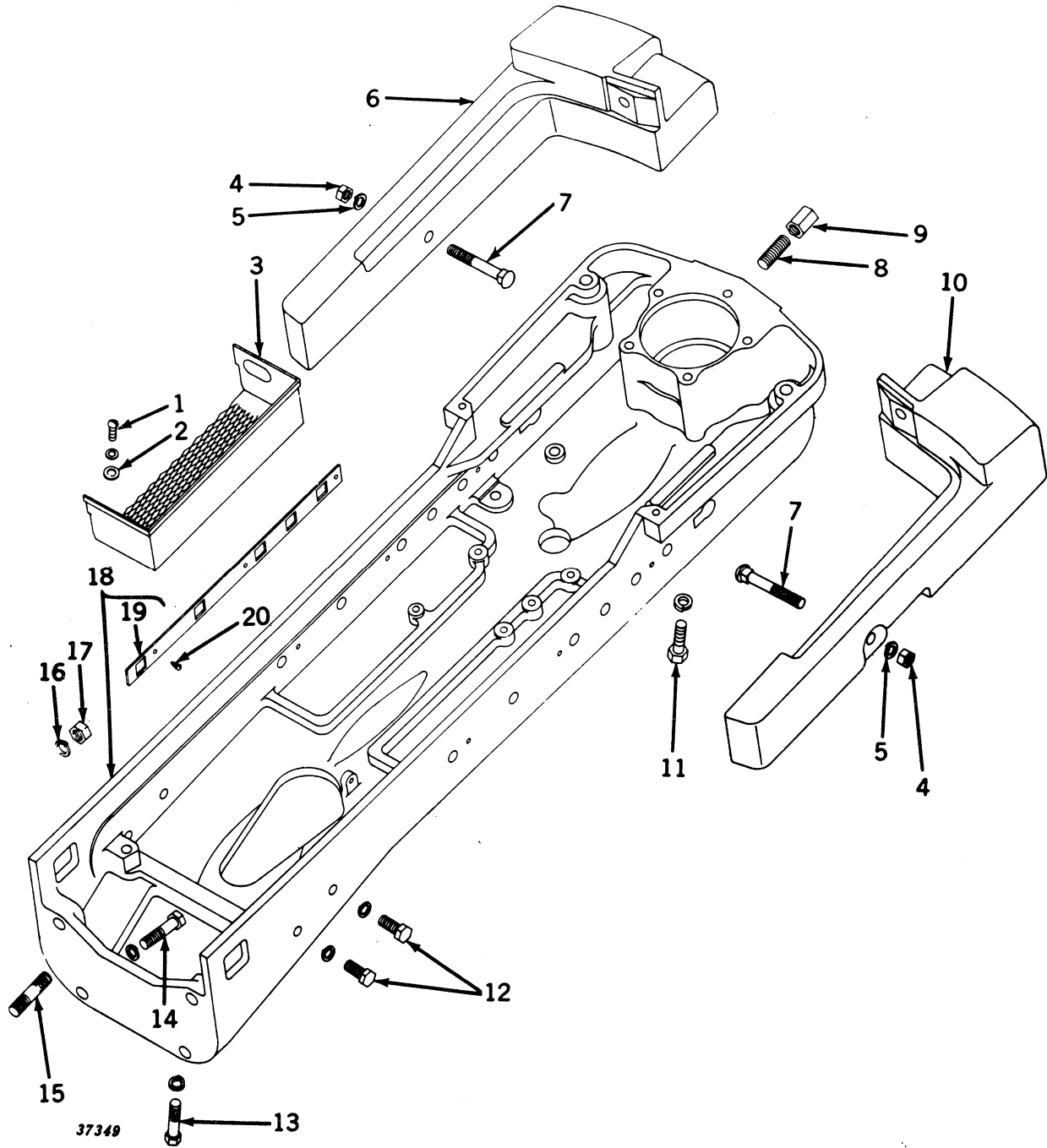
Cylinder Block and Crankshaft Group (**Gasoline**)..... ( - )  
 (**All-Fuel**)..... (5015951- )

Order: 1—AB 4630 R Cylinder Block  
 1—AB 4641 R Pistons with Rings and Pins (**Gasoline**)  
 1—AB 4742 R Pistons with Rings and Pins (**All-Fuel**)  
 1—AB 4684 R Crankshaft  
 1—AB 4680 R Main Bearing Housings with Bushings and Connecting Rod Bushings  
 1—AB 4675 R Gasket Set\*  
 1—AB 4677 R Gasket Set\*

\*For illustrations and contents of gasket sets, see Gasket Set Groupings.



FRONT END SUPPORT AND TOOL BOX  
(Serial No. 500001- )



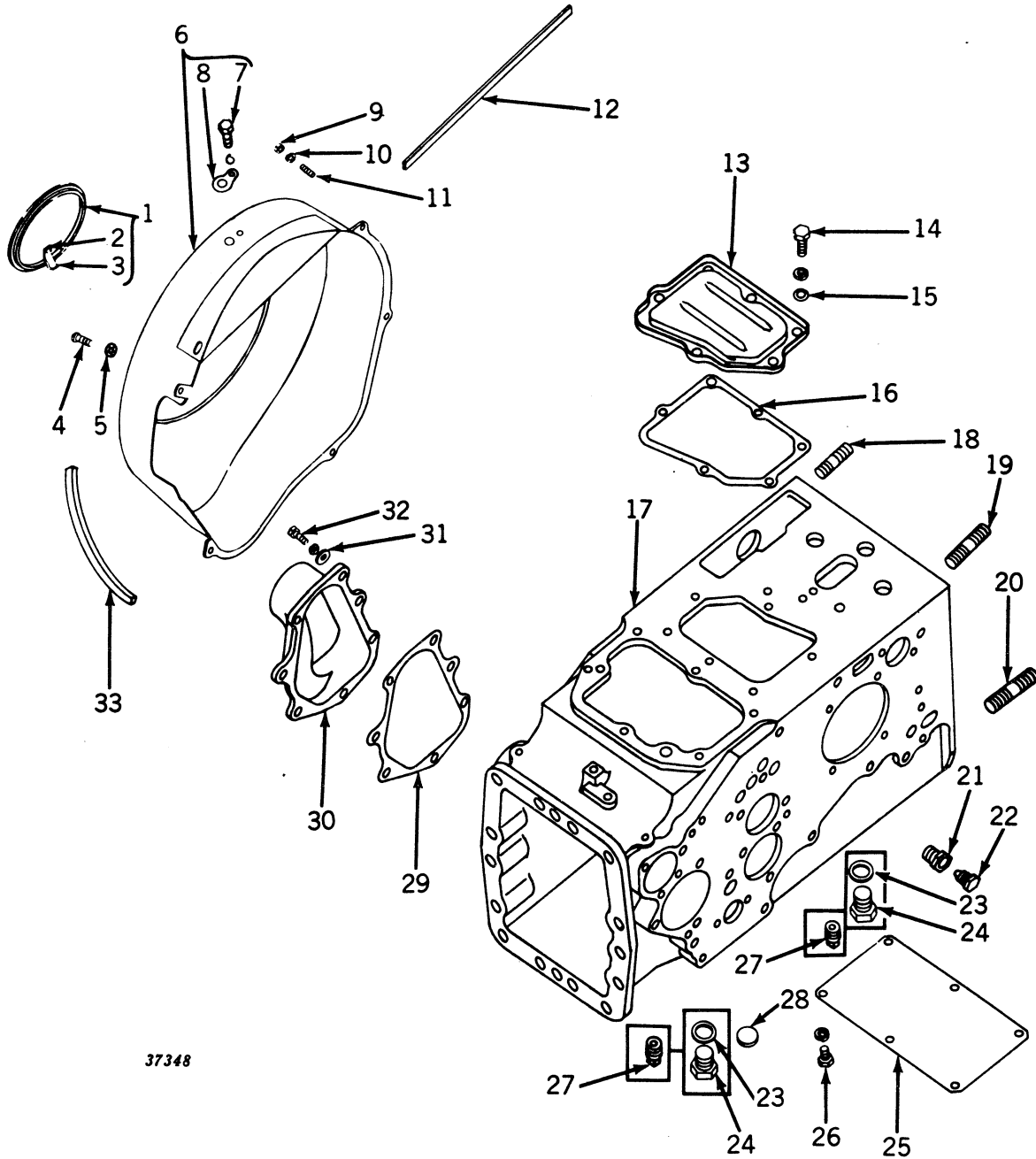
**FRONT END SUPPORT AND TOOL BOX—Continued**  
(Serial No. 5000001- )

Key	Part No.	Serial No.	Description
1	(19H 1056 H 12H 12 R	( - )	Screw, Cap, 7/16" x 1" (2 used) (Sub. for 19H325R)
		( - )	Washer, Lock, 7/16" (2 used)
2	24H 169 R	( - )	Washer, 15/32" x 15/16" x 16 Gauge (2 used)
3	AB 4518 R	( - )	Box, Tool
4	14H 399 R*	( - )	Nut, 5/8" (2 used)
5	12H 15 R*	( - )	Washer, Lock, 5/8" (2 used)
6	<b>A 5347 R</b>	( - )	<b>Weight, Front End, L.H. (ATTACHMENT) (Tractors Equipped with Double Front Wheels, Single Front Wheels, and Roll-O-Matic) (Sub. for B3281R)</b>
7	3H 736 H*	( - )	Bolt, Cge., 5/8" x 4" (2 used)
8	A 5292 R	( - )	Stud, 5/8" x 1-3/4" (2 used) (Packed 25 in a Pkg.) (Sub. for C1479R)
9	A 1892 R	( - )	Nut (2 used) (Packed 25 in a Pkg.) (Sub. for AA4963R)
10	<b>A 5346 R</b>	( - )	<b>Weight, Front End, R.H. (ATTACHMENT) (Tractors Equipped with Double Front Wheels, Single Front Wheels, and Roll-O-Matic) (Sub. for B3280R)</b>
11	(19H 1404 R 12H 15 R	( - )	Screw, Cap, 5/8" x 2-1/2" (2 used) (Sub. for 19H1394R)
		( - )	Washer, Lock, 5/8" (2 used)
12	(19H 1356 R 12H 15 R	( - )	Screw, Cap, 5/8" x 1-3/4" (4 used) (Sub. for 19H670R)
		( - )	Washer, Lock, 5/8" (4 used)
13	(19H 1439 N 12H 15 R	( - )	Screw, Cap, 5/8" x 3" (2 used) (Sub. for 19H704R and 19H1430R)
		( - )	Washer, Lock, 5/8" (2 used)
14	(19H 1425 R 12H 17 R	( - )	Screw, Cap, 3/4" x 2-3/4" (2 used) (Sub. for 19H800R)
		( - )	Washer, Lock, 3/4" (2 used)
15	R 1548 R	( - )	Stud, 3/4" x 3-7/16" (2 used)
16	12H 17 R	( - )	Washer, Lock, 3/4" (2 used)
17	14H 400 R	( - )	Nut, 3/4" (2 used) (Sub. for 14H267R and 14H266R)
18	AB 4529 R	( - )	Support, B3097R or B3103R, Front End, with Bolt Lock Straps
19	B 3228 R	( - )	Strap, Bolt Lock (2 used)
20	A 4322 R	( - )	Screw, Drive (6 used)
(Part listed below is an assembly of certain parts in this grouping.)			
	<b>AA 6315 R</b>	( - )	<b>Bolts, Nuts, and Washers, Front End Weight (ATTACHMENT) (Assembly contains parts marked [*]) (Sub. for AA5700R)</b>

(Parts listed below are not illustrated.)

A	5345 R	( - )	Weight, Frame, Front
A	5351 R	( - )	Stud, Frame Weight, Front (2 used)
A	5352 R	( - )	Nut, Frame Weight Stud (2 used)
A	5353 R	( - )	Stud, 5/8" x 5-1/2", Front Frame Weight (2 used)

ENGINE AND TRANSMISSION CASE AND COVERS  
(Serial No. 500001- )



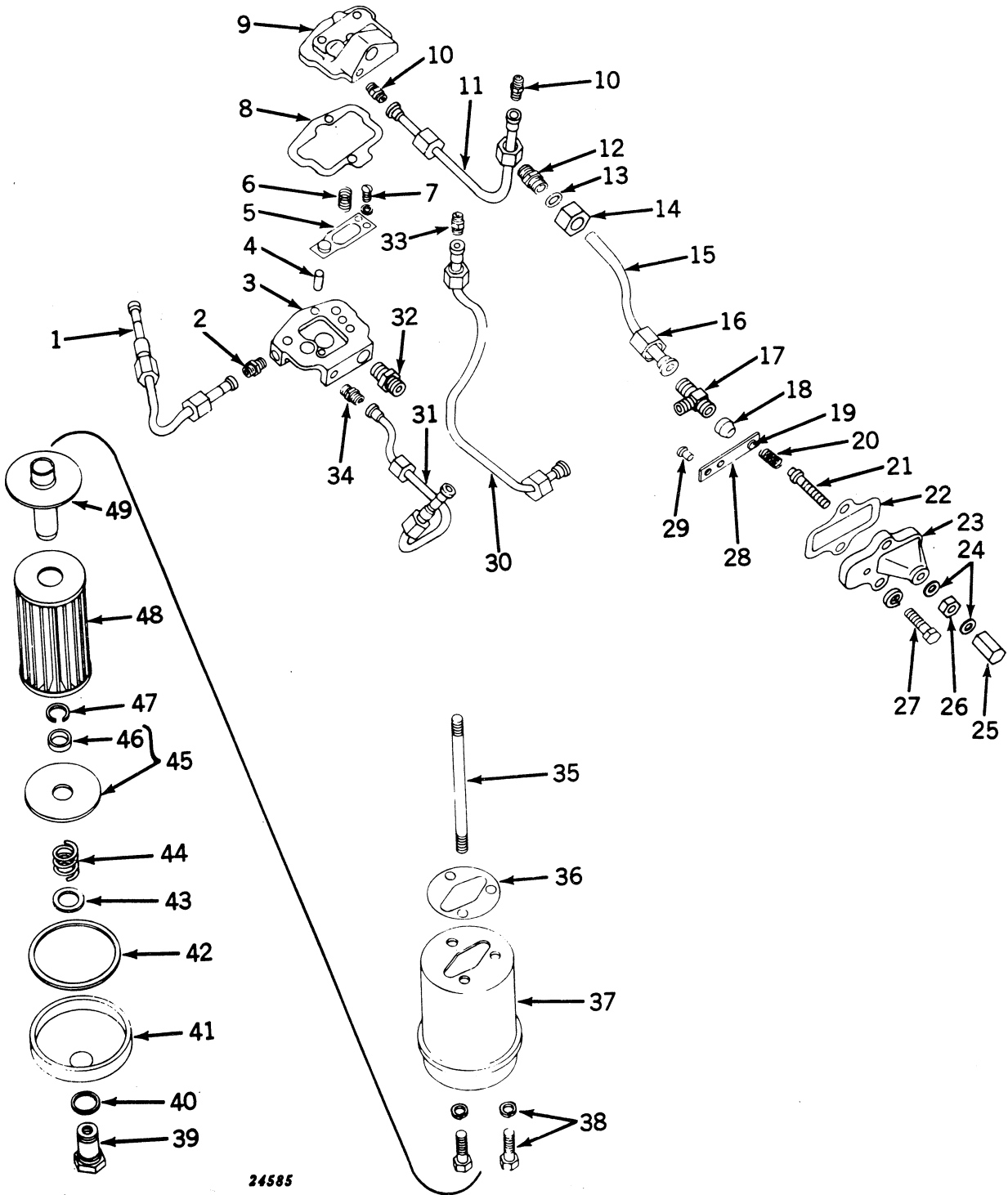
37348



ENGINE AND TRANSMISSION CASE AND COVERS—Continued  
(Serial No. 500001- )

Key	Part No.	Description
1	AB 3579 R ( - )	Cover, with Springs
2	B 2553 R ( - )	Rivet (3 used)
3	B 2552 R ( - )	Spring (3 used)
4	A 3232 R ( - )	Screw, Mach., 5/16" x 1/2" (4 used) (Packed 50 in a Pkg.)
5	12H 291 R ( - )	Washer, Lock (Shake-Proof) (4 used)
6	AR 20036 R ( - )	Cover, Flywheel, with Timing Hole Cover (Sub. for AB3578R)
7	(19H 11 R ( - ) 12H 9 R ( - ))	Screw, Cap, 1/4" x 3/8" Washer, Lock, 1/4"
8	A 4272 R ( - )	Cover, Timing Hole
9	14H 785 R ( - )	Nut, 5/16"
10	12H 10 R ( - )	Washer, Lock, 5/16"
11	B 1504 R ( - )	Stud, 5/16" x 15/16"
12	A 3311 R ( - )	Packing, Strip (Felt) (Sub. for B2549R)
13	B 3162 R ( - )	Cover, Crankcase (Sub. One B3592R and One B3593R)
14	(F 2272 R ( - ) 12H 11 R ( - ))	Screw, Cap, 3/8" x 3/4" (6 used) (Sub. for 19H203R) Washer, Lock, 3/8" (6 used)
15	A 4624 R ( - )	Washer (6 used)
16	B 2662 R ( - )	Gasket (Packed 5 in a Pkg.)
17	AB 4509 R ( - )	Case, B3082R, Engine and Transmission
18	B 1333 R ( - )	Stud, 5/8" x 2-1/2" (2 used)
19	B 2484 R ( - )	Stud, 5/8" x 3" (6 used)
20	R 1548 R ( - )	Stud, 5/8" x 3-7/16" (2 used) (Sub. for B2703R)
21	(D 793 R ( - ) D 793 R (5029200- ) 15H 255 R (5029200- ))	Body, Oil Level Cock (Gas and LP-Gas) Body, Oil Level Cock (2 used) (All-Fuel) Plug, Pipe (Gas and LP-Gas)
22	(D 794 R (5029200- ) D 794 R ( - ))	Plug, Oil Level Cock (2 used) (Packed 5 in a Pkg.) (All-Fuel) Plug, Oil Level Cock (Packed 5 in a Pkg.) (Gas and LP-Gas)
23	A 4827 R (5015558- )	Washer (2 used)
24	F 3128 R (5015558- )	Plug, Drain (2 used) (Sub. for F1250R)
25	B 2483 R ( - )	Cover, Starter Opening
26	(19H 99 R ( - ) 12H 10 R ( - ))	Screw, Cap, 5/16" x 9/16" (6 used) Washer, Lock, 5/16" (6 used)
27	15H 238 R ( -5015557)	Plug, Pipe, 3/4" (2 used)
28	30H 11 R ( - )	Plug, Expansion, 7/8"
29	B 2447 R ( - )	Gasket (Packed 5 in a Pkg.)
30	B 2446 R ( - )	Cover, Fourth and Sixth Speed Gear
31	24H 550 R ( - )	Washer, 13/32" x 1-1/16" x 11 Gauge (7 used)
32	(F 2272 R ( - ) 12H 11 R ( - ))	Screw, Cap, 3/8" x 3/4" (7 used) (Sub. for 19H203R) Washer, Lock, 3/8" (7 used)
33	B 2550 R ( - )	Packing, Strip (Rubber)

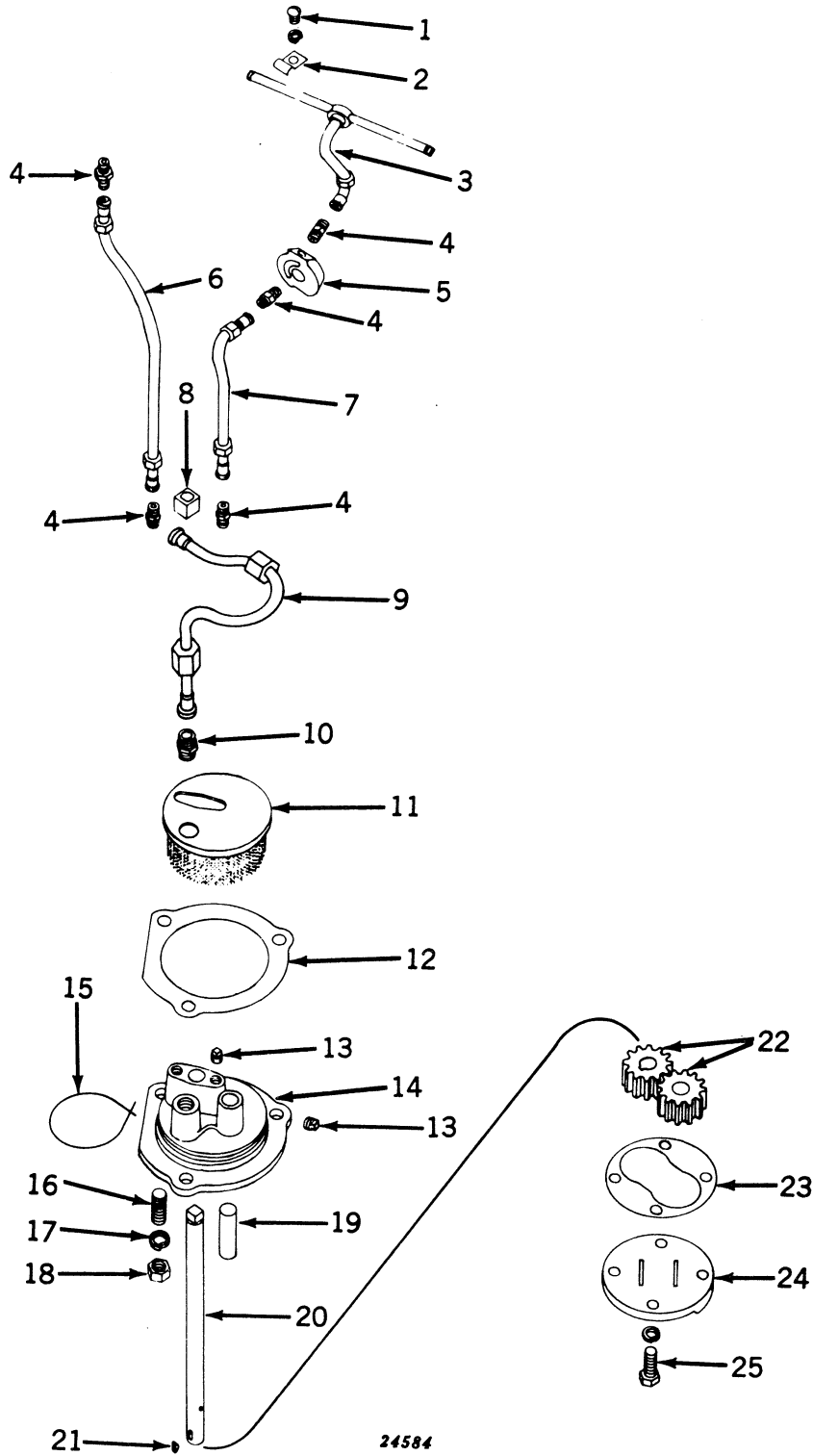
OIL FILTER AND OIL PIPES  
(Serial No. 5000001- )



**OIL FILTER AND OIL PIPES—Continued**  
(Serial No. 5000001- )

Key	Part No.	Serial No.	Description
1	AB 4465 R	( - )	Pipe, Oil, Main Bearing, L.H.
2	A 258 R	( - )	Connector
3	B 2303 R	( - )	Head, Oil Filter (Sub. for AB4210R)
4	F 1743 R	( - )	Pin, Dowel (Sub. for D186R)
5	AB 326 R	( - )	Spring, Leaf, with Centering Button
6	B 1744 R	( - )	Spring
7	(21H 597 R 12H 9 R)	( - )	Screw, Mach. (2 used)
8	F 98 R	( - )	Washer, Lock, 1/4" (2 used)
9	B 2304 R	( - )	Gasket (Packed 5 in a Pkg.)
10	E 1994 R	( - )	Cover, Oil Filter Head
11	AB 3456 R	( - )	Connector (2 used)
12	D 2440 R	( - )	Pipe, Oil, Camshaft
13	F 3384 R	( - )	Connector
14	D 2438 R	( - )	Washer (Packed 2 in a Pkg.) (Sub. for D2439R)
15	AB 3461 R	( - )	Nut, Packing
16	A 2880 R	( - )	Pipe, Oil Pressure Relief
17	AR 20707 R	( - )	Nut, Packing
18	F 3468 R	( - )	Tee, Oil Pressure Relief Pipe (Sub. for B2449R)
19	D 2425 R	( - )	Bushing (Sub. for B2568R)
20	A 1280 R	( - )	Pilot, Relief Spring
21	B 2307 R	( - )	Spring
22	B 2308 R	( - )	Screw, Adjusting
23	AB 3452 R	( - )	Gasket (Packed 2 in a Pkg.)
24	(A 3098 R A 5364 R)	( -5030599 5030600- )	Housing, B2305R, Complete
25	B 427 R	( - )	Washer, Copper (2 used) (Packed 5 in a Pkg.)
26	14H 732 R	( - )	Washer, Aluminum (2 used) (Packed 5 in a Pkg.)
27	(19H 337 N 12H 12 R)	( - )	Nut, Cap
28	AB 3453 R	( - )	Nut, Jam, 3/8"
29	16H 663 A	( - )	Screw, Cap, 7/16" x 1-1/4" (2 used) (Sub. for 19H332R)
30	AB 3457 R	( - )	Washer, Lock, 7/16" (2 used)
31	AB 4464 R	( - )	Spring, Leaf, with Pilot
32	D 2440 R	( - )	Rivet, 1/4" x 5/8"
33	E 1994 R	( - )	Pipe, Oil, Oil Indicator
34	E 1994 R	( - )	Pipe, Oil, Main Bearing, R.H.
35	B 1745 R	( - )	Connector
36	R 20249 R	( - )	Connector
37	R 20248 R	( - )	Connector
38	(F 2271 R 12H 10 R)	( - )	Stud, 1/2" x 8-7/8"
39	AF 2889 R	( - )	Gasket (Packed 2 in a Pkg.) (Sub. for A1149R)
40	A 521 R	( - )	Body, Oil Filter (Sub. for A1152R)
41	A 522 R	( - )	Screw, Cap, 5/16" x 1-3/4" (3 used)
42	A 519 R	( - )	Washer, Lock, 5/16" (3 used)
43	24H 234 R	( - )	Nut
44	A 2441 R	( - )	Gasket
45	AA 2095 R	( - )	Bottom, Oil Filter
46	A 2530 R	( - )	Gasket (Packed 5 in a Pkg.)
47	A 2444 R	( - )	Washer
48	AA 2096 R	( - )	Spring (Packed 5 in a Pkg.)
49	AA 2096 R	( - )	Plate, End, and Spacer
			Spacer
			Snap Ring (Packed 5 in a Pkg.)
			Element, Oil Filter (Order AA3680R, Pkg. of 4)
			Outlet, Oil Filter

OIL PUMP AND OIL PIPES  
(Serial No. 5000001- )

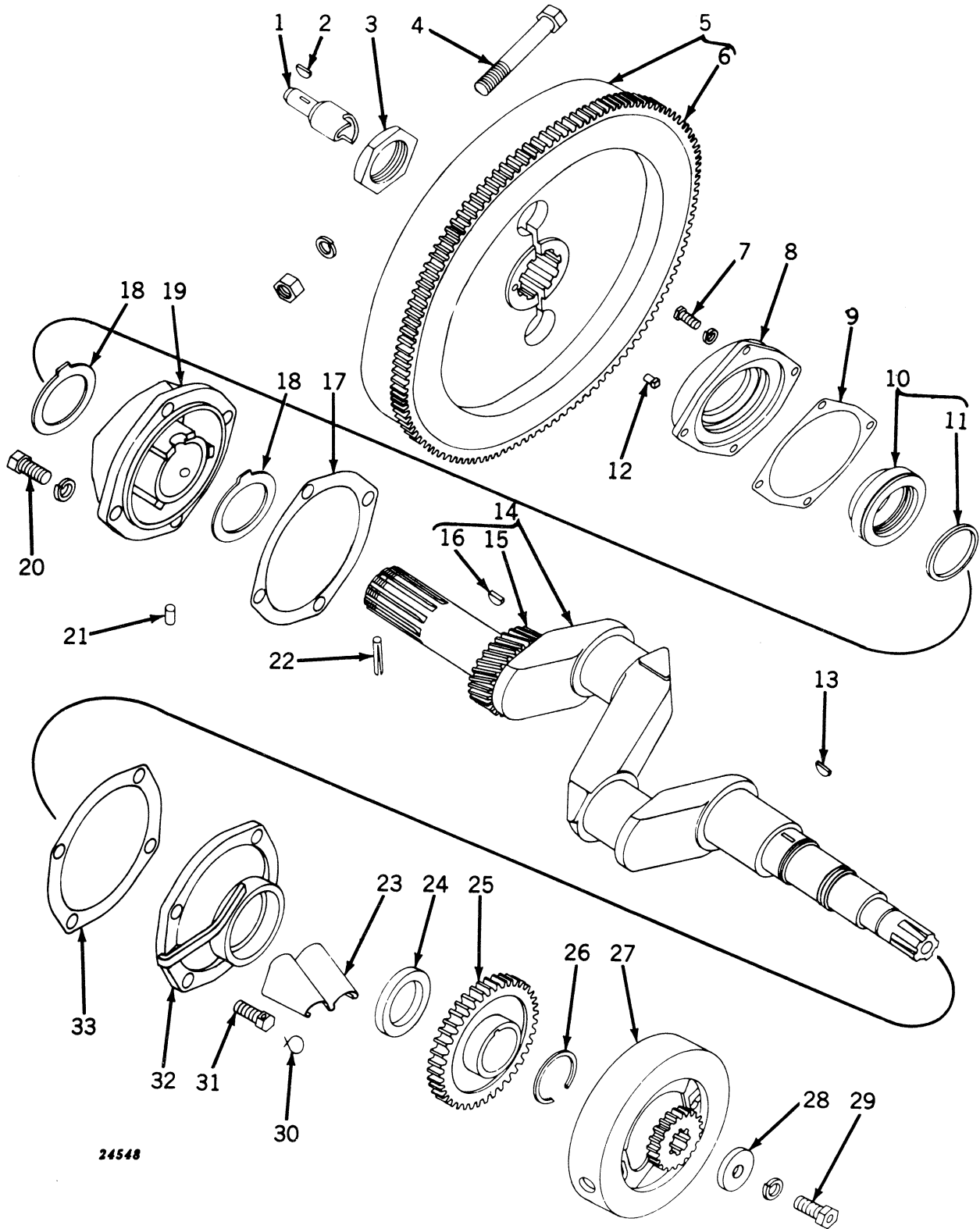




**OIL PUMP AND OIL PIPES—Continued**  
(Serial No. 5000001- )

Key	Part No.	Description
1	(21H 597 R (	) Screw, Mach., 1/4" x 1/2" (2 used)
	(12H 9 R (	) Washer, Lock, 1/4" (2 used)
2	A 2421 R (	) Clip (2 used)
3	AB 4639 R (	) Pipe, Oiler, Tappet Lever
4	E 1994 R (	) Connector (5 used)
5	A 4227 R (	) Washer, Oil Lead
6	AB 3458 R (	) Pipe, Oil, Governor
7	AB 3459 R (	) Pipe, Oil, Tappet Lever
8	B 250 R (	) Coupling
9	AB 3460 R (	) Pipe, Oil, Pump Discharge
10	D 2440 R (	) Connector
11	AB 3450 R (	) Screen, Strainer
12	B 251 R (	) Gasket (Packed 5 in a Pkg.)
13	15H 253 R (	) Plug, Pipe, 1/8" (2 used)
14	B 2300 R (	) Body, Pump (Sub. for AB4219R)
15	..... (	) Wire, 16 Gauge x 15" Long
16	B 1353 R (	) Stud, 1/2" x 1-3/4" (3 used)
17	12H 13 R (	) Washer, Lock, 1/2" (3 used)
18	14H 392 R (	) Nut, 1/2" (3 used) (Sub. for 14H260R)
19	B 244 R (	) Shaft, Idler Gear
20	B 2302 R (	) Shaft, Pump Drive
21	26H 10 R (	) Key, Woodruff, 5/32" x 5/8"
22	AB 4168 R (	) Gears, Drive and Idler (One B243R and One B245R)
23	B 246 R (	) Gasket (Packed 5 in a Pkg.)
24	B 247 R (	) Cover, Pump
25	(19H 218 D (	) Screw, Cap, 3/8" x 1" (4 used) (Sub. for 19H211R)
	(12H 11 R (	) Washer, Lock, 3/8" (4 used)

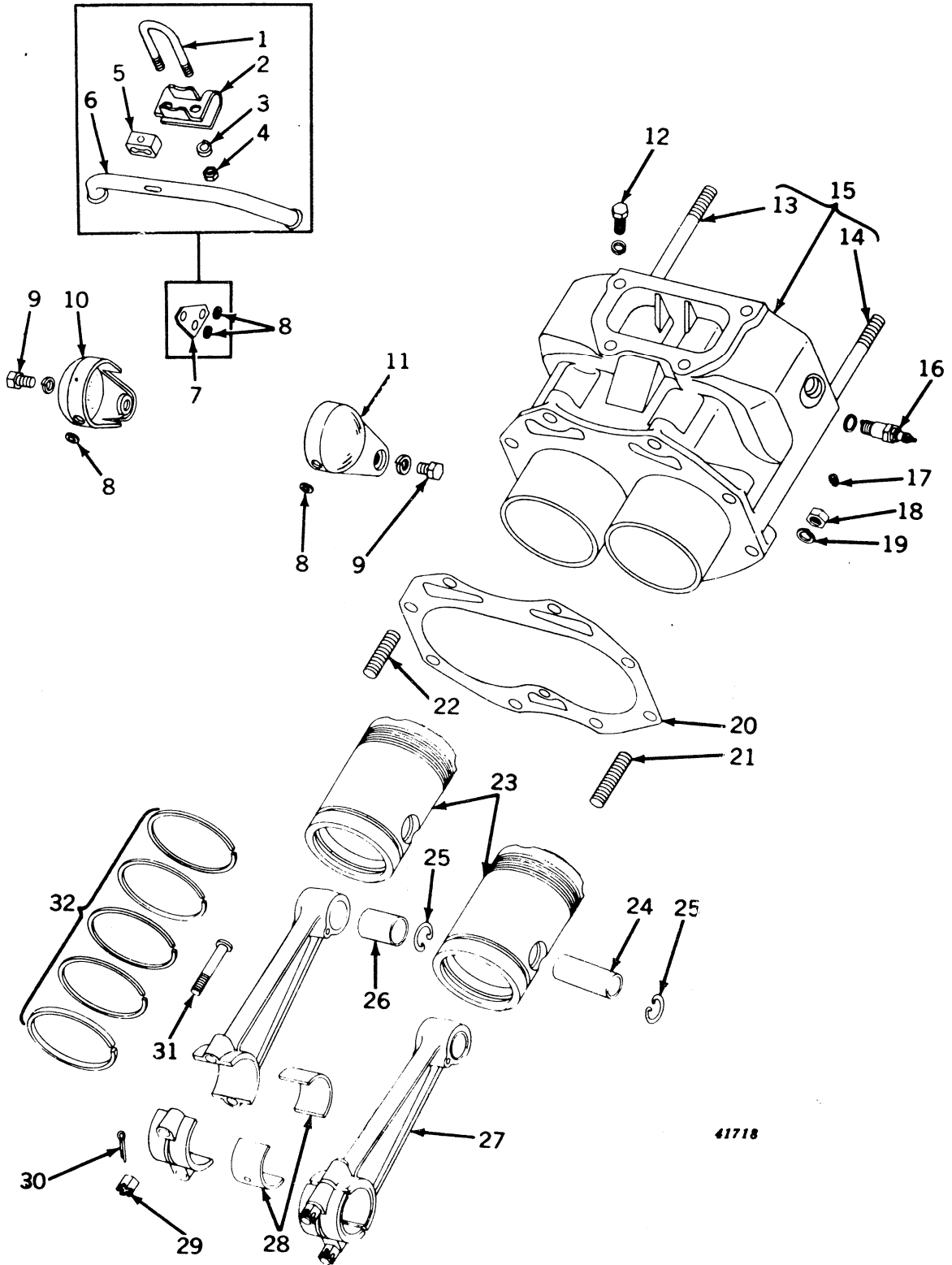
FLYWHEEL, CRANKSHAFT, AND MAIN BEARINGS  
(Serial No. 5000001- )



**FLYWHEEL, CRANKSHAFT, AND MAIN BEARINGS—Continued**  
(Serial No. 5000001- )

Key	Part No.	Serial No.	Description
1	AB 3580 R	( - )	Pilot, Crank Wheel
2	26H 17 R	( - )	Key, Woodruff, 3/16" x 7/8"
3	B 2464 R	( - )	Nut, Lock
4	(8H 1103 R	( - )	Bolt, Mach., High-Strength, 5/8" x 4", with Nut (2 used)
	(12H 15 R	(-5026099)	Washer, Lock, 5/8" (2 used)
	(14H 399 R	( - )	Nut, 5/8" (2 used)
5	AB 3844 R	( - )	Flywheel, B2461R, with Starter Gear
6	B 2462 R	( - )	Gear, Starter
7	(19H 118 T	( - )	Screw, Cap, 5/16" x 1" (4 used) (Sub. for 19H112R)
	(12H 10 R	( - )	Washer, Lock, 5/16" (4 used)
8	B 3029 R	( - )	Cover
9	B 3030 R	( - )	Gasket (Packed 2 in a Pkg.)
10	AB 4463 R	( - )	Spacer, B129R, with Oil Seal
11	B 3028 R	( - )	Seal, Oil (Rubber) (Packed 2 in a Pkg.)
12	D 2009 R	( - )	Pin, Spacer Drive (Packed 5 in a Pkg.)
13	26H 19 R	( - )	Key, Woodruff, 1/4" x 7/8", Power Shaft Drive Gear (Tractors Equipped with Engine-Driven Power Shaft)
14	AB 4684 R	( - )	Crankshaft, B3019R, with Gear and Key (See Page 10-1 for Special Replacement Assemblies)
15	B 115 R	( - )	Gear, Crankshaft (Sub. for AB4117R)
16	26H 17 R	( - )	Key, Woodruff, 3/16" x 7/8"
17	B 3026 R	( - )	Gasket (Packed 2 in a Pkg.)
18	B 3027 R	( - )	Washer, Thrust (2 used)
19	AB 4461 R	( - )	Housing, B3022R, Main Bearing, with Bushing, L.H. (Exchange Credit Allowable)
	AB 4891 R	( - )	Housing, B3022R, Main Bearing, with .002" Undersize Bushing, L.H. (Exchange Credit Allowable)
	AB 4893 R	( - )	Housing, B3022R, Main Bearing, with .004" Undersize Bushing, L.H. (Exchange Credit Allowable)
	B 3024 R	( - )	Bushing, Main Bearing, L.H. (To Be Sized After Installing in Housing. Always Provide .004" to .006" Clearance.)
20	(19H 1254 R	( - )	Screw, Cap, 9/16" x 1-1/4" (4 used) (Sub. for 19H564R)
	(12H 14 R	( - )	Washer, Lock, 9/16" (4 used)
21	A 3959 R	( - )	Pin, Dowel (2 used) (Not Furnished for This Use)
22	34H 119 C	( - )	Pin, 1-5/16" x 1-3/4" (Sub. for 25H125T)
23	AB 4623 R	( - )	Baffle, Transmission Oil, with Support
24	AB 4462 R	( - )	Seal, Oil, R.H. Main Bearing (2 used)
25	B 3164 R	( - )	Gear, Power Shaft Drive (Tractors Equipped with Engine-Driven Power Shaft)
26	B 3166 R	( - )	Snap Ring (Tractors Equipped with Engine-Driven Power Shaft)
27	B 3020 R	( - )	Disk, Clutch Drive
28	R 20135 R	( - )	Washer (Sub. for A198R)
29	B 2360 R	(-5017010)	Screw, Cap (Sub. 19H1335R)
	(19H 1335 R	(5017011-)	Screw, Cap, 5/8" x 1-1/2"
	(12H 15 R	( - )	Washer, Lock, 5/8"
30		( - )	Wire, 16 Gauge x 18" Long (2 used)
31	B 123 R	( - )	Screw, Cap, 9/16" x 1-1/4" (Drilled) (4 used)
32	AB 4681 R	( - )	Housing, B3021R, Main Bearing, with Bushing and Oil Seals, R.H. (Exchange Credit Allowable)
	AB 4890 R	( - )	Housing, B3021R, Main Bearing, with .002" Undersize Bushing and Oil Seals, R.H. (Exchange Credit Allowable)
	AB 4892 R	( - )	Housing, B3021R, Main Bearing, with .004" Undersize Bushing and Oil Seals, R.H. (Exchange Credit Allowable)
	B 3023 R	( - )	Bushing, Main Bearing, R.H. (To Be Sized After Installing in Housing. Always Provide .004" to .006" Clearance.)
33	B 3025 R	( - )	Gasket (Packed 2 in a Pkg.)
(Part listed below is not illustrated.)			
	AB 4675 R	( - )	Gasket Set, Crankshaft and Bearing Replacement (See Gasket Grouping for Illustrations and Contents)

CYLINDER BLOCK, CONNECTING RODS, AND PISTONS  
(Serial No. 5000001- )



41718

