

5036C Tractor



JOHN DEERE

PARTS CATALOG

5036C Tractor

PC4529 (Aug-10) English

John Deere Equipment Pvt. Ltd.

Indian Edition

Litho in India(New)

COPYRIGHT © 2010

DEERE & COMPANY

Moline, Illinois

All rights reserved

10-A01

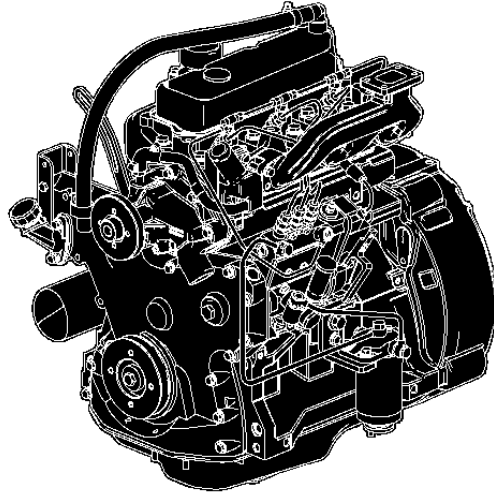
5036C TRACTORS

PRIMARY PICTORIAL INDEX

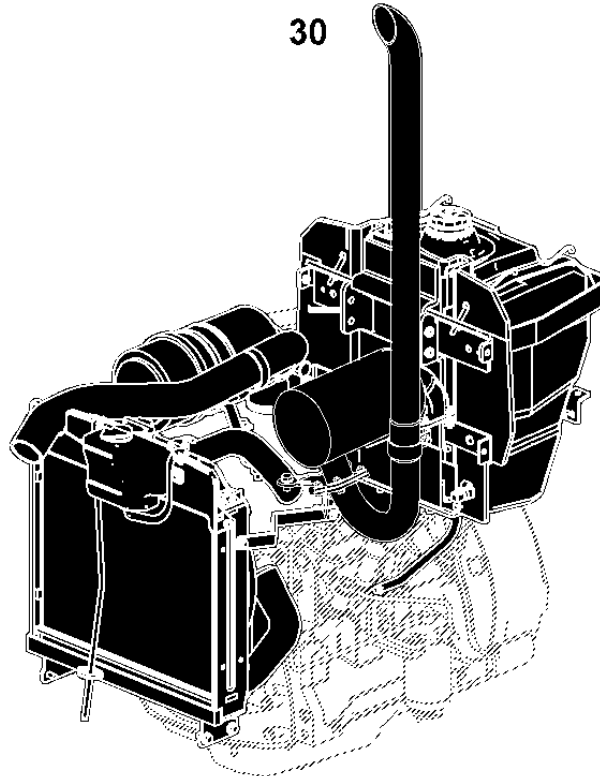
PY52549 -UN-26APR10

20-	A01
20-	A02
20-	A03
20-	A04
30-	A01

20



30



PY52549

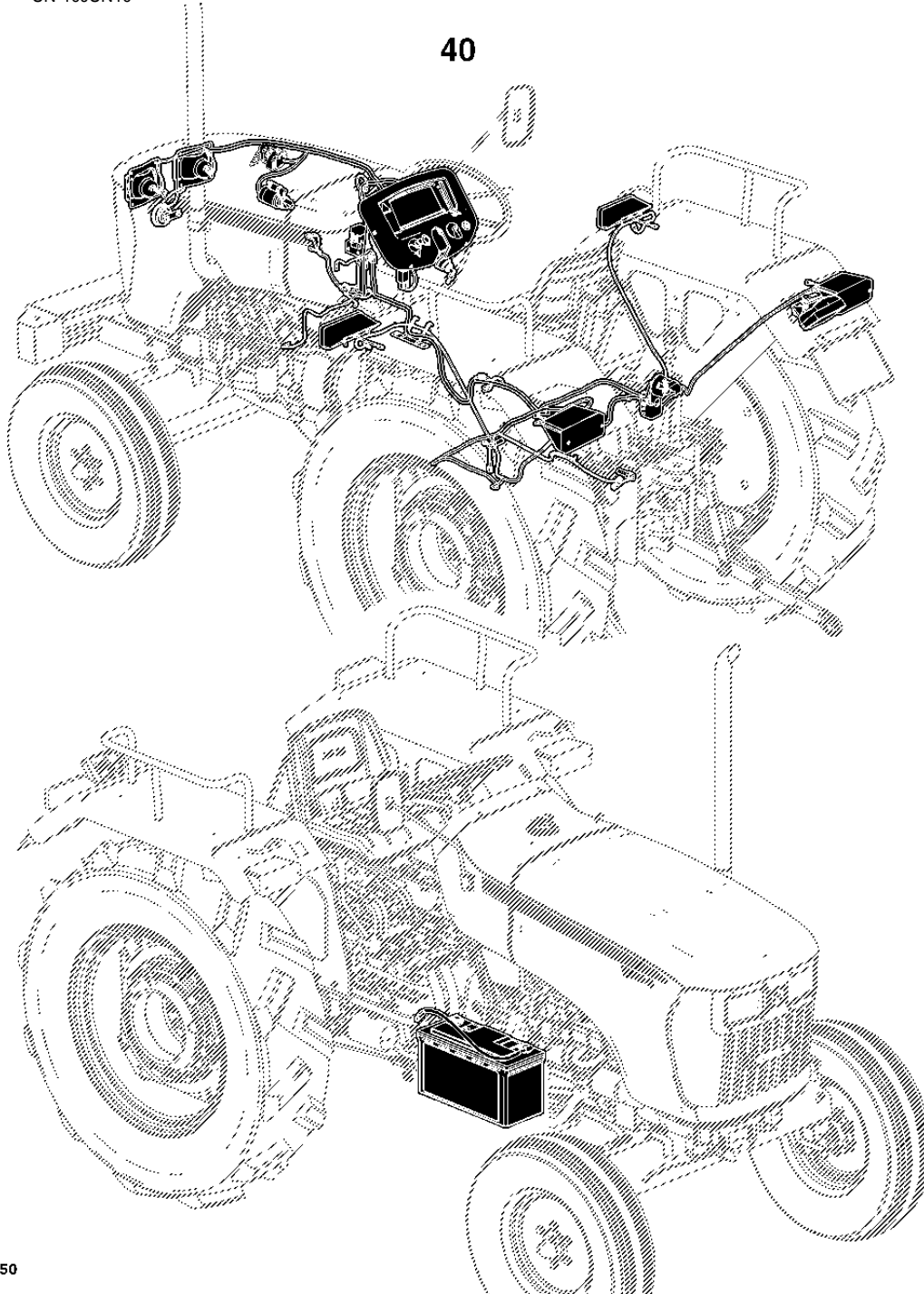
10-A02

5036C TRACTORS

PRIMARY PICTORIAL INDEX

PY52550 -UN-10JUN10

40- A01
40- A02



PY52550

**Thanks very much for your reading,
Want to get more information,
Please click here, Then get the complete
manual**

JustClickHere 

NOTE:

**If there is no response to click on the link above,
please download the PDF document first, and then
click on it.**

**Have any questions please write to me:
admin@servicemanualperfect.com**

10-A03

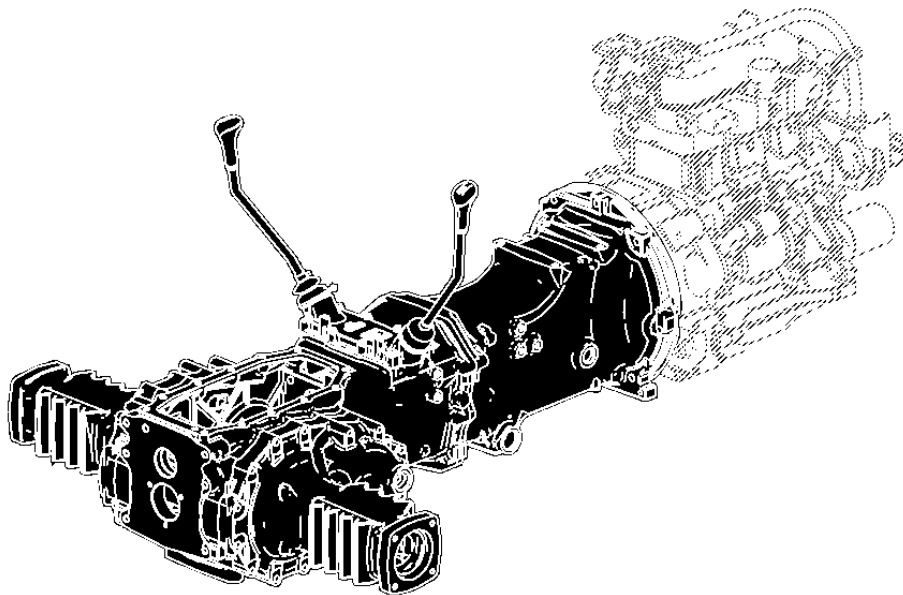
5036C TRACTORS

PRIMARY PICTORIAL INDEX

PY52551 -UN-26APR10

50- A01
50- A02

50



PY52551

10-A04

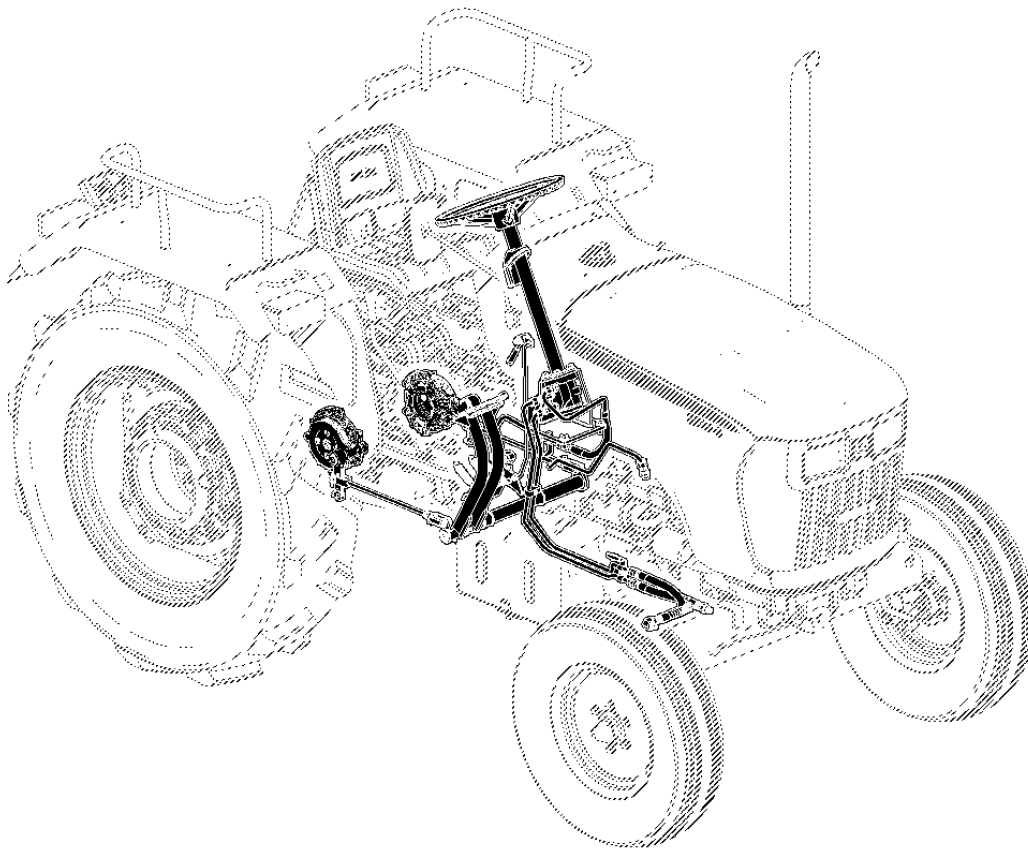
5036C TRACTORS

PRIMARY PICTORIAL INDEX

PY52552 -UN-11JUN10

60- A01
60- A02

60



PY52552

10-A05

5036C TRACTORS

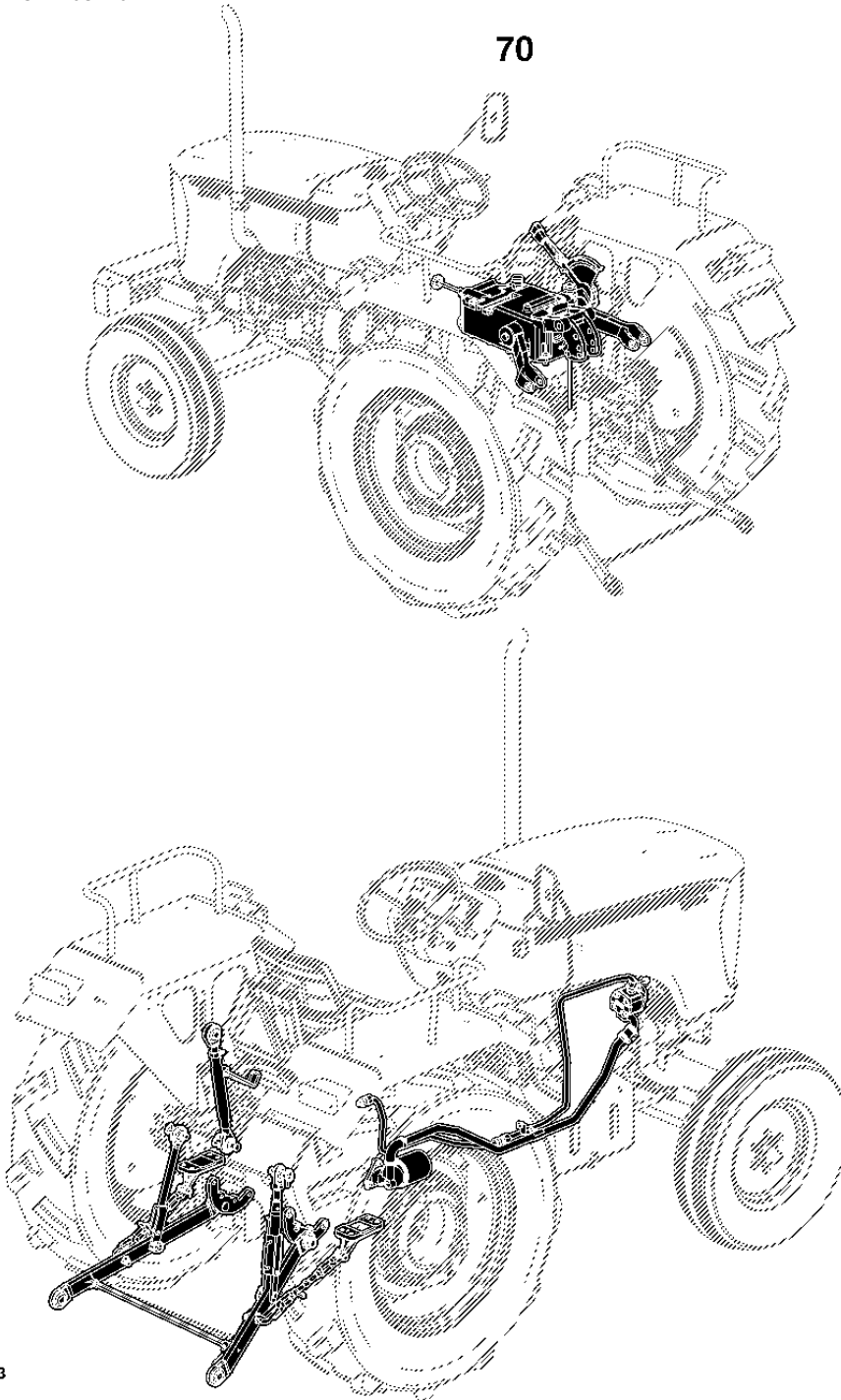
PRIMARY PICTORIAL INDEX

70- A01

PY52553

-UN-11JUN10

70



PY52553

10-A06

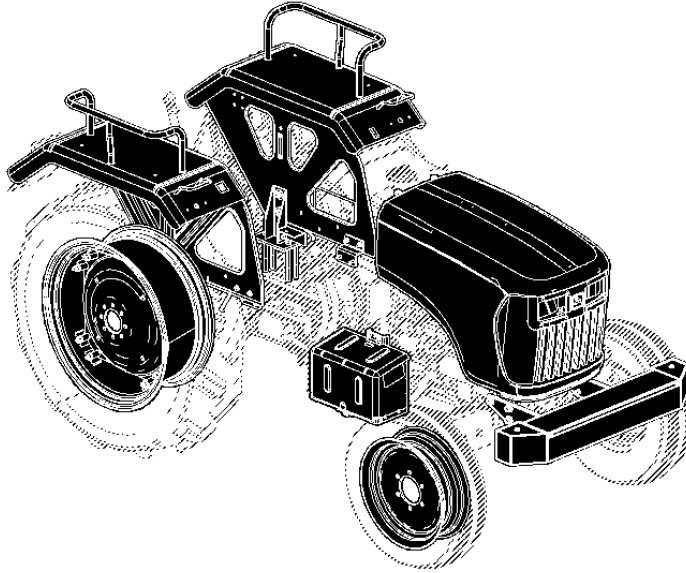
5036C TRACTORS

PRIMARY PICTORIAL INDEX

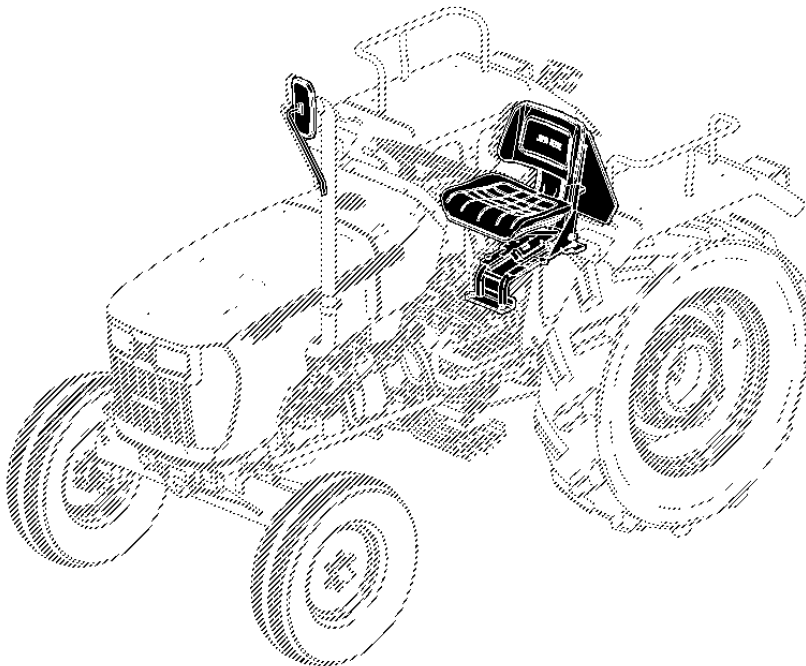
PY52554 -UN-11JUN10

80-	A01
80-	A02
80-	A03
90-	A01
90-	A02

80



90



PY52554

IDENTIFICATION VIEW

PY7253 -UN-19JAN10



PY7253

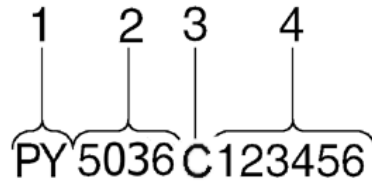
**JOHN DEERE 5036C INDIA TRACTOR
(SPECIFICATIONS AND DESIGN SUBJECT TO CHANGE WITHOUT NOTICE)**

CODES USED IN "REMARKS" COLUMN

	ENGLISH
APPL	THIS APPLICATION ONLY
AR	AS REQUIRED
ASSY	COMPLETE ASSEMBLY
CAT	CATEGORY
CNLA	COMPLETE NO LONGER AVAILABLE (ORDER INDIVIDUAL PARTS)
FI	FIELD INSTALLATION KIT
FOR	USE WITH
FRONT	FRONT
ID	INSIDE DIAMETER
INCL KEYS	INCLUDING KEYS
KIT	KIT
L	NUMBER OF LINKS
LGTH	LENGTH
LH	LEFT- HAND
LOW	LOWER
MARKED	MARKED
MF	MAKE FROM
NA	NOT APPLICABLE
NSEP	NOT SUPPLIED SEPARATELY
OD	OUTSIDE DIAMETER
OR	OR
ORD	ORDER
ORD W/	ALSO ORDER
PACKG	PACKET OF
RATIO	RATIO
REAR	REAR
RH	RIGHT- HAND
SUB	REPLACED BY
SUB FOR	SUBSTITUTES FOR
TK	THICKNESS
UP	UPPER
W/O	WITHOUT
Z	GEAR AND SPROCKET TEETH NUMBER

BASIC TRACTOR SERIAL NUMBER

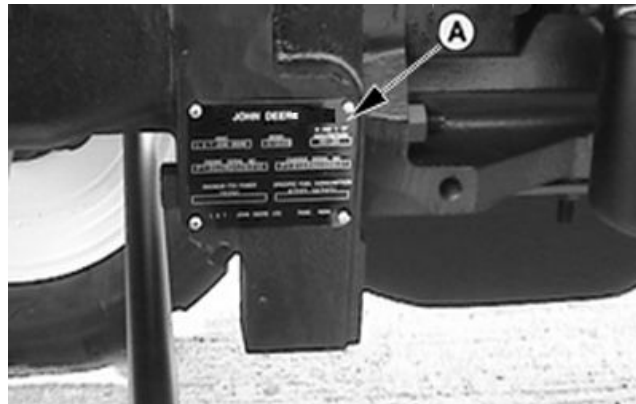
PY52555 -UN-27APR10



1. DESIGNATES TRACTOR MANUFACTURER
2. DESIGNATES TRACTOR MODEL
3. DESIGNATES CHASSIS MODEL
4. DESIGNATES TRACTOR SERIAL NUMBER

=PY -JOHN DEERE INDIA PVT. LTD. PUNE
=5036C
=C
=123456(SIX DIGITS)

PY5166 -UN-24AUG05



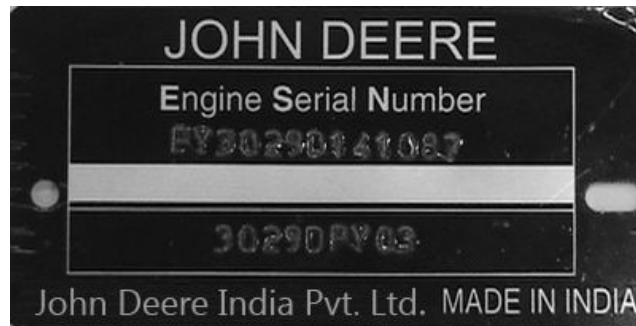
THE BASIC TRACTOR SERIAL NUMBER PLATE IS LOCATED ON THE RIGHT-HAND SIDE OF THE FRONT SUPPORT.

ENGINE GROUPING INFORMATION

ENGINE IN THIS CATALOG IS MANUFACTURED IN PUNE FACTORY
THIS ENGINE IS NATURALLY-ASPIRATED DIESEL
TO ASSIST YOUR JOHN DEERE PARTS DEPOT IN GIVING YOU PROMPT AND EFFICIENT SERVICE,
REFER TO THE ENGINE SERIAL NUMBER PLATE FOR PROPER ENGINE TYPE IDENTIFICATION.

ENGINE SERIAL NUMBER PLATE

PY51295 -UN-04MAY10



- | | |
|--------------------------------------|--|
| 1. DESIGNATES ENGINE MANUFACTURER | =PY - PUNE |
| 2. DESIGNATES NUMBER OF CYLINDERS | =3 |
| 3. DESIGNATES TOTAL DISPLACEMENT | =029 (2.9 LITRE) (BORE 106.5MM X STROKE 110MM) |
| 4. DESIGNATES THE TYPE OF ASPIRATION | =D - NATURALLY-ASPIRATED DIESEL |
| 5. DESIGNATES ENGINE SERIAL NUMBER | =123456 (SIX DIGITS) |
| 6. DESIGNATES ENGINE USER | =PY - INDIA |
| 7. DESIGNATES THE VERSION | =01 (TWO DIGITS) |

SERIAL NUMBER LISTING INFORMATION

SERIAL NUMBER INFORMATION IS LISTED TO SHOW ON WHICH MACHINES EACH PART CAN BE USED; FOR EXAMPLE:

- THE PART CAN BE USED ON ALL MACHINES.
- 000000- THE PART CAN BE USED ON ALL MACHINES BEGINNING WITH THE SERIAL NUMBER LISTED.
- 000000 THE PART CAN BE USED ON ALL MACHINES UP TO AND INCLUDING THE SERIAL NUMBER LISTED.
- 000000-000000 THE PART CAN BE USED ON ALL MACHINES BETWEEN AND INCLUDING THE SERIAL NUMBERS LISTED.

WHEN XXXXXX'S ARE LISTED IN PLACE OF A SERIAL NUMBER, A SERIAL NUMBER CHANGE WAS MADE BUT THE EXACT SERIAL NUMBER WAS NOT AVAILABLE WHEN THE CATALOG WAS PRODUCED.

DIRECTION ARROW

ARROWS ARE USED WITH ILLUSTRATIONS TO INDICATE THE FRONT OF THE UNIT. "RIGHT-HAND" AND "LEFT-HAND" SIDES ARE DETERMINED BY FACING IN THE DIRECTION OF MACHINE FORWARD TRAVEL.

BOX-ENCLOSED ILLUSTRATIONS

A KEY NUMBER, SHOWN IN THE PARTS LIST, IS ASSIGNED TO A BOX ENCLOSING ALL PARTS SOLD AS A SERVICE ASSEMBLY. A BOX NOT KEYED INCLUDES NON-CURRENT PARTS.

JDM REMANUFACTURED COMPONENTS

THE SERVICE PARTS LISTED IN THIS CATALOG ARE INTENDED FOR THE REPAIR OF ORIGINAL EQUIPMENT COMPONENTS. ALTHOUGH MOST SERVICE PARTS MAY BE USED TO REPAIR REMANUFACTURED COMPONENTS, THE REMANUFACTURED DESIGN MAY CHANGE PARTS SUFFICIENTLY SO THAT SERVICE PARTS ARE INADEQUATE OR NOT USABLE.

BOLT AND CAP SCREW STRENGTH IDENTIFICATION

U.S. CUSTOMARY DIMENSIONED PRODUCT: BOLTS AND CAP SCREWS REQUIRED TO HAVE HIGH-STRENGTH QUALITIES EQUIVALENT TO SAE GRADE 8.2 ARE IDENTIFIED THROUGHOUT THIS CATALOG BY THE DESCRIPTION SAE 8.2. ALL STANDARD BOLTS AND CAP SCREWS ARE SAE GRADE 5 OR LOWER.

METRIC DIMENSIONED PRODUCT: BOLTS AND CAP SCREWS REQUIRED TO HAVE HIGH-STRENGTH QUALITIES EQUIVALENT TO PROPERTY CLASS 10.9 OR HIGHER ARE IDENTIFIED THROUGHOUT THIS CATALOG BY THE DESCRIPTION 10.9, 12.9 AND 14.9. ALL STANDARD BOLTS AND CAP SCREWS ARE PROPERTY CLASS 8.8 OR LOWER. THERE IS NO SPECIAL IDENTIFICATION.

COMPLETE GOODS LISTINGS

COMPLETE GOODS ARE LISTED IN BOLD FACE TYPE. ORDER SEPARATELY. DO NOT INCLUDE ON REPLACEMENT PARTS ORDER.

SI UNITS OF MEASURE

METRIC DIMENSIONS ARE GIVEN, WHERE APPLICABLE, THROUGHOUT THIS PARTS CATALOG.

SECTION INDEX

- 10 - GENERAL INFORMATION
- 20 - ENGINE
- 30 - FUEL AND AIR
- 40 - ELECTRICAL
- 50 - POWER TRAIN
- 60 - STEERING AND BRAKES
- 70 - HYDRAULICS
- 80 - WHEELS, NON-POWERED AXLES, SHEET METAL
- 90 - OPERATOR'S STATION
- 100 - NUMERICAL INDEX

MEMORANDA

ALPHABETICAL INDEX

	PAGE		PAGE
A			
ACCELERATOR	30-8	CASE, PTO DRIVE SHAFT	50-28
ACTUATOR, CLUTCH SHAFT & RELEASE	50-4	CASE, PTO DRIVE SHAFT	50-32
ADAPTER, ALTERNATE LUBRICATION LINE	70-11	CENTER LINK (5036C)	70-31
ADAPTER, HYDRAULIC LINES	70-4	CLUTCH (DRY)	50-1
ADAPTER, HYDRAULIC LINES (WITHOUT ROCKSH AFT)	70-8	CLUTCH HOUSING AND REAR CASE	50-2
ADAPTER, HYDRAULIC LINES (5041C)	70-6	CLUTCH PEDAL (DRY CLUTCH)	50-6
ADJUSTABLE FRONT AXLE	80-10	CLUTCH SHAFT & RELEASE (DRY CLUTCH)	50-4
ADJUSTABLE FRONT AXLE	80-12	COMBO VALVE	70-26
AIR CLEANER	30-4	CONNECTING ROD/BEARINGS	20-13
ALTERNATE LUBRICATION LINE	70-11	CONTROL SUPPORT	80-28
ALTERNATOR	40-3	COUNTER SHAFT	50-12
ALTERNATOR MOUNTING	40-4	COUPLING, PTO DRIVE SHAFT	50-28
ARM ROD, ROCKSHAFT HOUSING	70-14	COUPLING, PTO DRIVE SHAFT	50-32
ARM, BRAKE PEDAL	60-12	COUPLING, TOP SHAFT	50-10
ARMREST, SEAT	90-2	COVER, BATTERY BOX	80-30
ARMREST, SEAT	90-6	COVER, FRONT BUMPER	80-16
AXLE FRONT	80-8	COVER, GEAR SHIFTER	50-18
AXLE FRONT (ADJUSTABLE)	80-10	COVER, OIL STRAINER	70-10
AXLE FRONT (ADJUSTABLE)	80-12	COVER, THERMOSTAT	20-30
AXLE KNEE, FRONT AXLE	80-10	COVER, TIMING GEAR	20-22
AXLE KNEE, FRONT AXLE	80-12	COVER, TRANSMISSION CASE (OPTION)(5041C)	70-35
AXLE MOUNTING	80-14	COVER, VALVE	20-2
B			
BACKREST, SEAT	90-2	COWL, CONTROL SUPPORT	80-28
BACKREST, SEAT	90-6	CRANKSHAFT PULLEY	20-19
BALL BEARING, COUNTER SHAFT	50-12	CRANKSHAFT/BEARINGS KIT	20-11
BALL BEARING, DIFFERENTIAL	50-15	CUSHIONS, SEAT	90-2
BATTERY AND CABLE	40-1	CUSHIONS, SEAT	90-6
BATTERY BOX	80-30	CYLINDER ASSEMBLY	70-16
BATTERY SUPPORT PLATE	80-10	CYLINDER BLOCK, KIT	20-8
BATTERY SUPPORT PLATE	80-12	CYLINDER HEAD	20-4
BEARING SUPPORT	50-8	CYLINDER ROLLER BEARING	50-14
BEARING, PTO	50-28	D	
BEARING, PTO	50-32	DIFFERENTIAL ASSY	50-15
BEARINGS/CONNECTING ROD	20-13	DIFFERENTIAL DRIVE SHAFT	50-14
BELLCRANK	60-14	DIPSTICK, ROCKSHAFT	70-12
BELT, SEAT	90-2	DIPSTICK, ROCKSHAFT	70-22
BELT, SEAT	90-6	DIPSTICK, ROCKSHAFT (OPTION)(5041C)	70-35
BOOT, GEAR SHIFT LEVER	50-20	DRAFT LINK (5036C)	70-29
BOOT, RANGE SHIFT LEVER	50-22	E	
BOOT, RANGE SHIFT LEVER	50-26	ELEMENTS, AIR CLEANER	30-4
BRACKET, ALTERNATOR MOUNTING	40-4	ENGINE GASKET SET	20-34
BRACKET, FLOOD LAMP	40-16	EXHAUST SYSTEM	30-6
BRACKET, FRONT GRILL	80-20	F	
BRACKET, FUSE BOX	40-7	FAN SHROUD	30-10
BRAKE	60-10	FAN, FAN BELT	20-20
BRAKE PEDAL	60-12	FAN, PULLEY	20-20
BRAKE SWITCH	40-19	FENDER (5036C)	80-24
BRAKE, REAR AXLE	60-10	FILTER HEAD, HYDRAULIC FILTER	70-3
BREATHER (ENGINE)	20-1	FILTER, AIR	30-4
BULB, TAIL LAMP	40-15	FILTER, HYDRAULIC	70-3
BUMPER, FOOTREST	80-22	FINAL DRIVE	50-35
BUMPER, FRONT	80-16	FLASHER, FRONT WIRING HARNESS	40-9
C			
CAMSHAFT	20-10	FLOOD LAMP	40-16
CAMSHAFT GEAR	20-10	FLOW CONTROL HYD. VALVE	70-26
CAP, FUEL	30-2	FLYWHEEL (ENGINE)	20-27
CAP, RADIATOR	30-10	FLYWHEEL HOUSING	20-28
		FOOTREST	80-22
		FOOTREST, FENDER (5036C)	80-24

ALPHABETICAL INDEX - CONTINUED

	PAGE		PAGE
FORK, GEAR SHIFTER	50-18	HYDRAULIC LINES (5041C) (WITHOUT ROCKSHA	
FORK, LIFT LINKS (5036C)	70-30	FT)	70-8
FORK, RANGE SHIFTER	50-18	HYDRAULIC PUMP (5036C)	70-1
FRONT AXLE	80-8	HYDRAULIC PUMP (5041C)	70-2
FRONT BUMPER	80-16		
FRONT GRILL	80-20	I	
FRONT PLATE	20-26	IDENTIFICATION PLATE	80-26
FRONT SUPPORT	80-26	IDLE GEAR (LOWER)	20-25
FRONT WARNING LAMP	40-14	IDLE GEAR (UPPER)	20-24
FRONT WHEEL	80-2	IDLER SHAFT, REVERSE	50-29
FRONT WIRING HARNESS	40-9	IDLER SHAFT, REVERSE	50-33
FUEL TANK AND HOSES	30-2	IGNITION SWITCH	40-17
FUSE BOX	40-7	INSERT, GEAR SHIFT LEVER	50-20
		INSERT, GEAR SHIFT LEVER	50-22
G		INSERT, RANGE SHIFT LEVER	50-24
GASKET, CYLINDER ASSEMBLY	70-16	INSERT, RANGE SHIFT LEVER	50-26
GASKET, INSTRUMENT CLUSTER	40-12	INSTRUMENT CLUSTER	40-12
GAUGE, ENGINE TEMPERATURE	40-12	INSTRUMENT PANEL	40-12
GEAR AND RANGE SHIFTER	50-18	INTAKE VALVE	20-5
GEAR DRIVEN, PTO	50-28		
GEAR DRIVEN, PTO	50-32	K	
GEAR SHIFT LEVER	50-20	KEY, IGNITION	40-17
GEAR SHIFT LEVER	50-22	KIT, BEARINGS/CRANKSHAFT	20-11
GEAR, CAMSHAFT	20-10	KIT, CYLINDER BLOCK	20-8
GEAR, HYDRAULIC PUMP (5036C)	70-1	KIT, ENGINE GASKET	20-34
GEAR, HYDRAULIC PUMP (5041C)	70-2	KIT, PISTON/LINER	20-14
GEAR, IDLE (LOWER)	20-25	KIT, UPPER IDLE GEAR	20-24
GEAR, PTO DRIVE SHAFT	50-28	KIT, TOOL BOX	80-32
GEAR, PTO DRIVE SHAFT	50-32	KNOB, GEAR SHIFT LEVER	50-20
GRILL, FRONT	80-20	KNOB, GEAR SHIFT LEVER	50-22
GUIDE, OIL DIPSTICK	20-15	KNOB, LIGHT SWITCH	40-13
		KNOB, QUADRANT ASSEMBLY	70-24
H		KNOB, RANGE SHIFT LEVER	50-24
HAND THROTTLE	30-8	KNOB, RANGE SHIFT LEVER	50-26
HANDLE, CENTER LINK (5036C)	70-31	KNOB, ROCKSHAFT UNIT	70-12
HANDLE, LIFT LINKS (5036C)	70-30		
HANDRAIL, FENDER (5036C)	80-24	L	
HAZARD SWITCH	40-13	LABEL	80-34
HEAD LAMP	40-5	LABEL	80-36
HEAD LIGHT	40-5	LABEL, STARTER MOTOR	40-2
HEAD, CYLINDER	20-4	LENS, FLOOD LAMP	40-16
HELICAL GEAR, COUNTER SHAFT	50-12	LENS, TAIL LAMP	40-15
HELICAL GEAR, FINAL DRIVE	50-35	LEVER, ROCKSHAFT LINKAGE	70-18
HELICAL GEAR, REVERSE IDLER	50-16	LEVER, ROCKSHAFT LINKAGES	70-18
HITCH PLATE, SWAY CHAIN (5036C)	70-32	LEVER, THROTTLE	30-8
HITCH, WAGON	70-33	LEVER, TOP LINK BRACKET ASSEMBLY	70-20
HITCH, WAGON HITCH (OPTIONAL)(5041C)	70-34	LICENCE PLATE	80-33
HOOD ASSEMBLY	80-18	LIFT ARM, ROCKSHAFT	70-14
HORN	40-6	LIFT CONTROL, QUADRANT ASSEMBLY	70-24
HORN, SWITCH	40-6	LIFT LINKS (5036C)	70-30
HOSE, AIR INTAKE	30-4	LIGHT SWITCH, BRACKET	40-19
HOSES, FUEL TANK	30-2	LINER/PISTON KIT	20-14
HOSES, RADIATOR	30-10	LINES HYDRAULIC (5041C)	70-6
HOUSING, DIFFERENTIAL ASSY	50-15	LINES, HYDRAULIC (5036C)	70-4
HOUSING, FLYWHEEL	20-28	LINES, HYDRAULIC (5041C) (WITH ROCKSHAFT	
HOUSING, REAR AXLE	50-34)	70-8
HOUSING, ROCKSHAFT	70-14	LINKAGE, CLUTCH PEDAL (DRY CLUTCH)	50-6
HYD. QUICK CONNECT COUPLER (5041C)	70-28	LINKAGE, PARK BRAKE	60-14
HYDRAULIC FILTER	70-3	LINKAGES, ROCKSHAFT	70-18
HYDRAULIC LINES (5036C)	70-4	LNKAGES, BRAKE PEDAL	60-12
HYDRAULIC LINES (5041C)	70-6		

ALPHABETICAL INDEX - CONTINUED

	PAGE		PAGE
M		R	
MAIN SHAFT, ROCKSHAFT HOUSING.....	70-14	RADIATOR.....	30-10
MANIFOLD, BEARING SUPPORT.....	50-8	RANGE SHIFT LEVER.....	50-24
MANIFOLD, HYDRAULIC LINES (5041C).....	70-6	RANGE SHIFT LEVER.....	50-26
MANUAL HOLDER.....	90-4	REAR AXLE HOUSING.....	50-34
MANUAL HOLDER.....	90-5	REAR AXLE SHAFT.....	50-36
MANUAL SHIFTER.....	50-30	REAR CASE.....	50-2
MUFFLER.....	30-6	REAR LICENCE PLATE.....	80-33
		REAR WHEEL.....	80-4
N		REAR WHEEL WEIGHT.....	80-6
NEUTRAL START SWITCH.....	40-18	REAR WIRING HARNESS.....	40-10
		RESERVOIR, RADIATOR OVERFLOW.....	30-10
O		RESTRICTION INDICATOR, AIR FILTER.....	30-4
OIL DIPSTICK.....	20-15	RETAINER, AXLE MOUNTING.....	80-14
OIL DIPSTICK GUIDE.....	20-15	RETAINER, BEARING SUPPORT.....	50-8
OIL FILLER NECK.....	20-21	RETAINER, CLUTCH.....	50-4
OIL FILTER.....	20-33	RETAINER, DIFFERENTIAL ASSY.....	50-15
OIL PAN.....	20-18	RETAINER, REAR AXLE.....	50-30
OIL PRESSURE SWITCH.....	20-29	RETAINER, REAR AXLE.....	50-34
OIL PUMP.....	20-16	REVERSE IDLER.....	50-16
OIL SLINGER, TOP SHAFT BEARING.....	50-10	REVERSE IDLER SHAFT.....	50-29
OIL STRAINER.....	70-10	REVERSE IDLER SHAFT.....	50-33
OPERATOR'S MANUAL HOLDER.....	90-4	RIM, FRONT WHEEL.....	80-2
OPERATOR'S MANUAL HOLDER.....	90-5	RING GEAR AND PINION.....	50-14
OVERFLOW RESERVOIR, RADIATOR.....	30-10	RING, RANGE SHIFT LEVER.....	50-24
		RING, RANGE SHIFT LEVER.....	50-26
P		ROCKER ARM.....	20-3
PAD, CONTROL SUPPORT.....	80-28	ROCKSHAFT HOUSING WITH LIFT ARM.....	70-14
PAN,OIL.....	20-18	ROCKSHAFT LINKAGE.....	70-18
PANEL, HOOD ASSEMBLY.....	80-18	ROCKSHAFT UNIT.....	70-12
PARK BRAKE.....	60-14	ROD, BATTERY BOX.....	80-30
PEDAL, ACCELERATOR.....	30-8		
PEDAL, BRAKE.....	60-12	S	
PIN, WAGON HITCH (OPTIONAL)(5041C).....	70-34	SAFETY BELT.....	90-2
PINION , DIFFERENTIAL BEVEL.....	50-15	SAFETY BELT.....	90-6
PIPE, EXHAUST.....	30-6	SAFETY VALVE, CYLINDER ASSEMBLY.....	70-16
PIPE, HYDRAULIC LINES (5036C).....	70-4	SCREEN, OIL STRAINER.....	70-10
PISTON, CYLINDER ASSEMBLY.....	70-16	SEAL, CONTROL SUPPORT.....	80-28
PLATE, BATTERY BOX.....	80-30	SEAL, FRONT AXLE.....	80-8
PLATE, REVERSE IDLER.....	50-16	SEAL, POWER STEERING FIX AXLE.....	80-10
PLUG, RANGE SHIFTER.....	50-18	SEAL, POWER STEERING FIX AXLE.....	80-12
PRESSURE RELIEF VALVE.....	70-22	SEAL, PTO.....	50-28
PTO DRIVE SHAFT.....	50-28	SEAL, PTO.....	50-32
PTO DRIVE SHAFT.....	50-32	SEAT CUSHIONS AND SEAT BELT.....	90-2
PTO SHIFTER.....	50-30	SEAT CUSHIONS AND SEAT BELT.....	90-6
PULLEY, ALTERNATOR.....	40-3	SECTIONAL INDEX.....	20-A01
PUMP, HYDRAULIC (5036C).....	70-1	SECTIONAL INDEX.....	20-A02
PUMP, HYDRAULIC (5041C).....	70-2	SECTIONAL INDEX.....	20-A03
PUMP, OIL.....	20-16	SECTIONAL INDEX.....	30-A01
PUSH ROD, ROCKER ARM.....	20-3	SECTIONAL INDEX.....	40-A01
		SECTIONAL INDEX.....	40-A02
Q		SECTIONAL INDEX.....	50-A01
QUADRANT ASSEMBLY.....	70-24	SECTIONAL INDEX.....	50-A02
QUICK COUPLER KIT (5041C).....	70-28	SECTIONAL INDEX.....	60-A01
QUICK LOCK PIN, DRAFT LINK (5036C).....	70-29	SECTIONAL INDEX.....	60-A02
		SECTIONAL INDEX.....	70-A01
		SECTIONAL INDEX.....	80-A01
		SECTIONAL INDEX.....	80-A02
		SECTIONAL INDEX.....	80-A03
		SECTIONAL INDEX.....	90-A01
		SECTIONAL INDEX.....	90-A02
		SENDER, FUEL GAUGE.....	30-2
		SENSOR, WATER TEMPERATURE.....	20-6
		SEVEN PIN CONNECTOR.....	40-20