

# Service Parts

Engine

Engine Models:

**John Deere TO4039D**

**4039TL**

**CD4039DF**

**CD4039TF**

**4045DF**

**4045TF**

Generator Models:

20-40ROZJ/REOZJ

20-40DSJ/DSEJ

50/60ROZJ serial nos. 257821 and above

50/60REOZJ/REOZJB

50/60DSJ/DSEJ/DSEJB

80REOZJB

80DSEJB

TP-5434 4/03e

customer service email: [admin@servicemanualperfect.com](mailto:admin@servicemanualperfect.com)

customer service email: [admin@servicemanualperfect.com](mailto:admin@servicemanualperfect.com)

# Table of Contents

<b>SUBJECT</b>	<b>PAGE</b>	<b>SUBJECT</b>	<b>PAGE</b>
Introduction .....	1	Group 12a: Exhaust Manifold .....	40
Number Significance .....	1	Group 12b: Exhaust Elbow .....	41
How to Find Part Numbers .....	1	Group 13a: Flywheel .....	42
Specification Number Index .....	2	Group 13b: Flywheel Housing .....	43
Group 1: Air Intake .....	7	Group 14: Fuel Pump .....	45
Group 2a: Water Pump .....	8	Group 15: Fuel Filter .....	46
Group 2b: Thermostat .....	10	Group 16: Balancer Shafts .....	50
Group 2c: Fan Belt .....	13	Group 18: Timing Gear Cover .....	51
Group 2d: Fan Drive .....	14	Group 21a: Oil Pan .....	53
Group 3: Vent Tube .....	15	Group 21b: Oil Fill Tube .....	58
Group 4a: Camshaft .....	17	Group 21c: Oil Cooler .....	59
Group 4b: Valve Train .....	18	Group 22: Piston and Connecting Rod .....	61
Group 4c: Rocker Arm Cover .....	19	Group 25: Oil Pump .....	62
Group 5a: Fuel Injection Pump .....	20	Group 26: Front Plate .....	64
Group 5b: Fuel Injection Nozzle .....	24	Group 39a: Cylinder Head Gasket Set .....	66
Group 7: Cylinder Block .....	26	Group 39b: Overhaul Gasket Kit .....	67
Group 8a: Crankshaft .....	30	Group 42: Short Block .....	69
Group 8b: Crankshaft Pulley .....	31	Group 50a: Turbocharger and Oil Lines .....	70
Group 9: Cylinder Head .....	32	Group 51a: Alternator .....	71
Group 10a: Oil Filter .....	34	Group 51b: Alternator Brackets .....	74
Group 10b: Dipstick .....	35	Group 51c: Alternator Components .....	77
Group 11a: Starter Motor .....	36		
Group 11b: Starter Motor Components .....	38		

# Introduction

This manual lists service replacement parts for John Deere 4039 and 4045 engines.

At the time of print this manual applied to the engine models listed in the Specification Number Index. On occasion this manual may apply to engines not listed in the Specification Number Index.

Information in this publication represents data available at the time of print. The generator set manufacturer reserves the right to change this publication and the products represented without notice and without any obligation or liability whatsoever.

This manual includes the following main sections:

**Table of Contents.** Lists the sections of the manual.

**Introduction (and other information sections).** Contains introductory material about part numbers, illustrations, and hardware.

**Index.** Lists the engine models and groups.

**Group Parts Lists.** List the part numbers of parts in the groups.

## Numbering System Significance

This manual uses the following numbering systems:

**Engine Model.** The product identification number located on the engine nameplate. Engines break down into groups.

**Group Number.** A unique number representing a parts group needed to assemble an engine function. For example, Group 1 is the Air Intake group.

**Variation Number.** A group might have several variations. Each variation performs the same function with different parts lists. For example, a 12-volt alternator and 24-volt alternator both perform the same function, but, with different parts. Each difference requires a group variation or module number.

**Part Number.** The part number identifies an individual assembly, subassembly, component, or accessory kit.

## Illustrations

Illustrations (or exploded-view drawings) best representing the widest range of variations accompany most groups in this manual. Illustrations do not depict all details and may not show all parts. Do not use illustrations for assembly or disassembly.

x.in:004:004a

## How to Find Part Numbers

Use the following steps to locate a service replacement part.

1. Locate the engine nameplate to **identify the engine model number**.
2. **Turn to the Specification Number Index.** The first column lists the engine model numbers. The headings identify the groups of parts that make up the engine.
3. **Identify the group** most likely to include the service part number.
4. **Find the group variation number** at the intersection of the model row and the group column. Note the variation number. If 2 or more variation numbers are listed, note all variation numbers.
5. **Page forward to locate the group** identified in step 3 or find the appropriate page in the Table of Contents.
6. **Find the part on the illustration** and note the item number of the part or **find the part description in the parts list**.
7. Select **the part number that corresponds to your group variation**. The first column lists the illustration item number. Find the variation(s) identified in the Specification Number Index in the appropriate column on the right side of the parts list table. Find the quantity used at the intersection of the item number row and the variation column. A blank space at the intersection means the variation/module does not use that part number.

## Hardware References

Many common hardware items do not appear in parts manuals or will appear as common hardware entries. A common hardware entry lists the size of the hardware. For example, an item that appears as "Hardware, 3/8-16" in the text means that the piece is 3/8-16 size. Obtain common hardware locally.

Some hardware items require a specific size or some other characteristic. In that case, use the part number listed in the text.

**When replacing hardware, do not substitute inferior grade hardware.** Replacement hardware grade should be equal to or better than the grade of the manufacturer's original hardware.

# Specification Number Index

Group Title		<i>Air Intake</i>	<i>Water Pump</i>	<i>Thermostat</i>	<i>Fan Belt</i>	<i>Fan Drive</i>	<i>Vent Tube</i>	<i>Camshaft</i>	<i>Valve Train</i>	<i>Rocker Arm Cover</i>	<i>Fuel Injection Pump</i>	<i>Fuel Injection Nozzle</i>	<i>Cylinder Block</i>	<i>Crankshaft</i>	<i>Crankshaft Pulley</i>
Group No.	1	2a	2b	2c	2d	3	4a	4b	4c	5a	5b	7	8a	8b	
<b>Variation Number</b>															

<b>Model</b>															
<b>20-40ROZJ or 20-40DSJ</b>															
TO4039D	1	1	1	1		1	1	1	1	1	1	1	1	1	1
CD4039DF	1	1	3	2		1	1	2	2	3	1	3	2	3	
<b>20-40REOZJ or 20-40DSEJ</b>															
TO4045DF, 12 V	1705	5702 4401 2002	2102	2460	2314 8604 8701	2904	4602	4901	1101	1603	1603	4602	4701	1302	
TO4045DF, 24 V	1705	5702 4401 2002	2102	2460	2314 8604 8701	2904	4602	4901	1101	1674	1674	4602	4701	1302	
<b>50/60ROZJ* or 50/60DSJ</b>															
4039TL	2	1	2	2		1	1	1	1	2	2	2	1	2	
CD4039TF	2	1	4	2		1	1	2	2	3	2	3	2	4	
<b>50/60REOZJ or 50/60DSEJ</b>															
TO4045TF, 12 V	1701	5702 4401 2002	2102	2460	2301 8604 8701	2904	4601	4901	1101	1656	1656	4601	4701	1301	
TO4045TF, 24 V	1701	5702 4401 2002	2102	2460	2301 8604 8701	2904	4601	4901	1101	1677	1677	4601	4701	1301	
TO4045TF, 12 V 4S7 alternator	1701	5702 4401 2002	2102	2460	2301 8604 8701	2904	4601	4901	1101	1656	1656	4601	4701	1302	
TO4045TF, 24 V 4S7 alternator	1701	5702 4401 2002	2102	2460	2301 8604 8701	2904	4601	4901	1101	1677	1677	4601	4701	1302	
<b>50/60REOZJB or 50/60DSEJB</b>															
4045TF120, 12 V, 50 Hz	1701	5702 4401 2002	2112	240B	2314 8605 8711	2915	4602	4901	1101	16MT	16MT	4602	4701	1302	
4045TF150, 12 V, 60 Hz†	1701	5702 4401 2002	2112	240B	2314 8605 8711	2915	4602	4901	1101	16LZ or 1656†	16LZ or 1656†	4602	4701	1302	
4045TF120, 24 V, 50 Hz	1701	5702 4401 2002	2112	240B	2314 8605 8711	2915	4602	4901	1101	16MU	16MU	4602	4701	1302	
4045TF150, 24 V, 60 Hz†	1701	5702 4401 2002	2112	240B	2314 8605 8711	2915	4602	4901	1101	16MA or 1677†	16MA or 1677†	4602	4701	1302	

\* These units used John Deere 4239TL engines on early model 50/60 kW (serial numbers below 257821) generator sets and John Deere 4039TL/CD4039TF engines on newer model 50/60 kW (serial number 257821 and above) generator sets. Check the generator set nameplate for the serial number and the engine nameplate for the engine model. Refer to Parts Catalog TP-5368 P/C John Deere 4239DL/TL if the generator set uses John Deere 4239TL engine.

† Use fuel injection pump variation 16LZ on generator set specification GM21199-GA5 only. Use variation 1656 on other specs.  
Use fuel injection pump variation 16MA on generator set specification GM21199-GA7 only. Use variation 1677 on other specs.

**Thanks very much for your reading,  
Want to get more information,  
Please click here, Then get the complete  
manual**

**JustClickHere** 

**NOTE:**

**If there is no response to click on the link above,  
please download the PDF document first, and then  
click on it.**

**Have any questions please write to me:  
[admin@servicemanualperfect.com](mailto:admin@servicemanualperfect.com)**

# Specification Number Index

Group Title	<i>Air Intake</i>	<i>Water Pump</i>	<i>Thermostat</i>	<i>Fan Belt</i>	<i>Fan Drive</i>	<i>Vent Tube</i>	<i>Camshaft</i>	<i>Valve Train</i>	<i>Rocker Arm Cover</i>	<i>Fuel Injection Pump</i>	<i>Fuel Injection Nozzle</i>	<i>Cylinder Block</i>	<i>Crankshaft</i>	<i>Crankshaft Pulley</i>
Group No.	1	2a	2b	2c	2d	3	4a	4b	4c	5a	5b	7	8a	8b
Variation Number														

Model														
80REOZJB or 80DSEJB														
4045TF220, 12 V, 50 Hz	1701	5702 4401 2001	2112	240D	2301 8605 8711	2915	4601	4901	1101	16GQ	16GQ	4601	4701	1301
4045TF250, 12 V, 60 Hz	1701	5702 4401 2001	2112	240D	2301 8605 8711	2915	4601	4901	1101	161C	161C	4601	4701	1301
4045TF220, 24 V, 50 Hz	1701	5702 4401 2001	2112	240D	2301 8605 8711	2915	4601	4901	1101	16LV	16LV	4601	4701	1301
4045TF250, 24 V, 60 Hz	1701	5702 2001 4401	2112	240D	2301 8605 8711	2915	4601	4901	1101	161D	161D	4601	4701	1301

# Specification Number Index

<b>Group Title</b>		<i>Cylinder Head</i>	<i>Oil Filter</i>	<i>Dipstick</i>	<i>Starter Motor</i>	<i>Starter Motor Components</i>	<i>Exhaust Manifold</i>	<i>Exhaust Elbow</i>	<i>Flywheel</i>	<i>Flywheel Housing</i>	<i>Fuel Pump</i>	<i>Fuel Filter</i>	<i>Balancer Shafts</i>	<i>Timing Gear Cover</i>
<b>Group No.</b>	<b>9</b>	<b>10a</b>	<b>10b</b>	<b>11a</b>	<b>11b</b>	<b>12a</b>	<b>12b</b>	<b>13a</b>	<b>13b</b>	<b>14</b>	<b>15</b>	<b>16</b>	<b>18</b>	
	<b>Variation Number</b>													

Model													
<b>20-40ROZJ or 20-40DSJ</b>													
TO4039D	1	1	1	1	1	1	—	1	1	1	1	—	1
CD4039DF	2	2	2	1	1	1	—	1	1	1	2	—	2
<b>20-40REOZJ or 20-40DSEJ</b>													
4045DF, 12 Volt	5102	8803	4002	3004	3004	2807	—	1507	1402	3702	3516	—	4401
4045DF, 24 Volt	5102	8803	4002	3009	3009	2807	—	1507	1402	3702	3516	—	4401
<b>50/60ROZJ* or 50/60DSJ</b>													
4039TL	1	1	1	1	1	2	2	1	1	1	1	2	1
CD4039TF	2	1	1	1	1	2	2	1	2	1	2	3	2
<b>50/60REOZJ or 50/60DSEJ</b>													
TO4045TF, 12 V	5102	8803	4002	3004	3004	2803	6401	1507	1402	3702	3516	4502	4401
TO4045TF, 24 V	5102	8803	4002	3009	3009	2803	6401	1507	1402	3702	3516	4502	4401
TO4045TF, 12 V 4S7 alternator	5102	8803	4002	3005	3005	2803	6401	1503	1403	3702	3516	4502	4401
TO4045TF, 24 V 4S7 alternator	5102	8803	4002	3001	3001	2803	6401	1503	1403	3702	3516	4502	4401
<b>50/60REOZJB or 50/60DSEJB</b>													
4045TF, 120, 12 V, 50 Hz	5102	8803	4002	3006	3006	2803	6401	1509	1406	3702	3516	—	4401
4045TF150, 12 V, 60 Hz	5102	8803	4002	3006	3006	2803	6401	1509	1406	3702	3516	—	4401
4045TF120, 24 V, 50 Hz	5102	8803	4002	3041	3041	2803	6401	1509	1406	3702	3516	—	4401
4045TF150, 24 V, 60 Hz	5102	8803	4002	3041	3041	2803	6401	1509	1406	3702	3516	—	4401
<b>80REOZJB or 80DSEJB</b>													
4045TF220, 12 V, 50 Hz	5102	8803	4002	3006	3006	2803	6401	1503	1406	3702	3516	4502	4401
4045TF250, 12 V, 60 Hz	5102	8803	4002	3006	3006	2803	6401	1503	1406	3702	3516	4502	4401
4045TF220, 24 V, 50 Hz	5102	8803	4002	3041	3041	2803	6401	1503	1406	3702	3516	4502	4401
4045TF250, 24 V, 60 Hz	5102	8803	4002	3041	3041	2803	6401	1503	1406	3702	3516	4502	4401

- Group parts not supplied with engine.

\* These units used John Deere 4239TL engines on early model 50/60 kW (serial numbers below 257821) generator sets and John Deere 4039TL/CD4039TF engines on newer model 50/60 kW (serial number 257821 and above) generator sets. Check the generator set nameplate for the serial number and the engine nameplate for the engine model. Refer to Parts Catalog TP-5368 P/C John Deere 4239DL/TL if the generator set uses John Deere 4239TL engine.

# Specification Number Index

Group Title														
	<i>Oil Pan</i>	<i>Oil Fill Tube</i>	<i>Oil Cooler</i>	<i>Piston &amp; Connecting Rod</i>	<i>Oil Pump</i>	<i>Front Plate</i>	<i>Cylinder Head Gasket Set</i>	<i>Overhaul Gasket Set</i>	<i>Short Block</i>	<i>Turbocharger &amp; Oil Lines</i>	<i>Alternator</i>	<i>Alternator Brackets</i>	<i>Alternator Components</i>	
Group No.	21a	21b	21c	22	25	26	39a	39b	42	50	51a	51b	51c	Variation Number

Model														
<b>20-40ROZJ or 20-40DSJ</b>														
TO4039D	1	1	1	1	1	1	1	1	1	—	1	1	1	
CD4039DF	1	1	2	1	2	1	1	1	1	—	1	1	1	
<b>20-40REOZJ or 20-40DSEJ</b>														
TO4045DF, 12 V	1902	1299	5901	3	5002	2	9901	9901	2	—	3109	6203	3109	
TO4045DF, 24 V	1902	1299	5901	3	5002	2	9901	9901	2	—	3104	6203	3104	
<b>50/60ROZJ* or 50/60DSJ</b>														
4039TL	2	1	1	2	1	1	2	2	1	2	1	1	1	
CD4039TF	2	1	2	2	2	1	2	2	1	3	1	1	1	
<b>50/60REOZJ or 50/60DSEJ</b>														
TO4045TF, 12 V	1904	1299	5901	4	5002	2	9901	9901	3	6524	3109	6203	3109	
TO4045TF, 24 V	1904	1299	5901	4	5002	2	9901	9901	3	6524	3104	6203	3104	
TO4045TF, 12 V 4S7 alternator	1904	1299	5901	4	5002	2	9901	9901	3	6524	3109	6203	3109	
TO4045TF, 24 V 4S7 alternator	1904	1299	5901	4	5002	2	9901	9901	3	6524	3104	6203	3104	
<b>50/60REOZJB or 50/60DSEJB</b>														
4045TF120, 12 V, 50 Hz	1904	1299	5901	4803	5002	—	9901	9901	3	65CQ	3122	6211	3122	
4045TF150, 12 V, 60 Hz	1904	1299	5901	4803	5002	—	9901	9901	3	65CT	3122	6211	3122	
4045TF120, 24 V, 50 Hz	1904	1299	5901	4803	5002	—	9901	9901	3	65CQ	3104	6212	3104	
4045TF150, 24 V, 60 Hz	1904	1299	5901	4803	5002	—	9901	9901	3	65CT	3104	6212	3104	
<b>80REOZJB or 80DSEJB</b>														
4045TF220, 12 V, 50 Hz	1904	1299	5901	4804	5002	3601	9901	9901	4	65DC	3122	6211	3122	
4045TF250, 12 V, 60 Hz	1904	1299	5901	4804	5002	3601	9901	9901	4	65CT	3122	6211	3122	
4045TF220, 24 V, 50 Hz	1904	1299	5901	4804	5002	3601	9901	9901	4	65DC	3104	6212	3104	
4045TF250, 24 V, 60 Hz	1904	1299	5901	4804	5002	3601	9901	9901	4	65CT	3104	6212	3104	

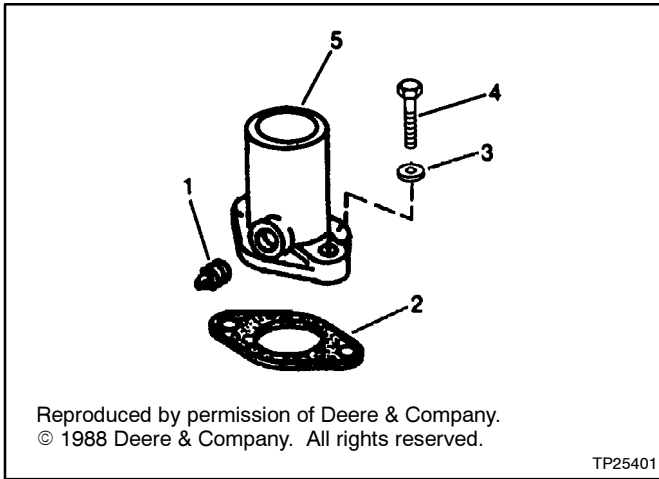
- Group parts not supplied with engine.

\* These units used John Deere 4239TL engines on early model 50/60 kW (serial numbers below 257821) generator sets and John Deere 4039TL/CD4039TF engines on newer model 50/60 kW (serial number 257821 and above) generator sets. Check the generator set nameplate for the serial number and the engine nameplate for the engine model. Refer to Parts Catalog TP-5368 P/C John Deere 4239DL/TL if the generator set uses John Deere 4239TL engine.

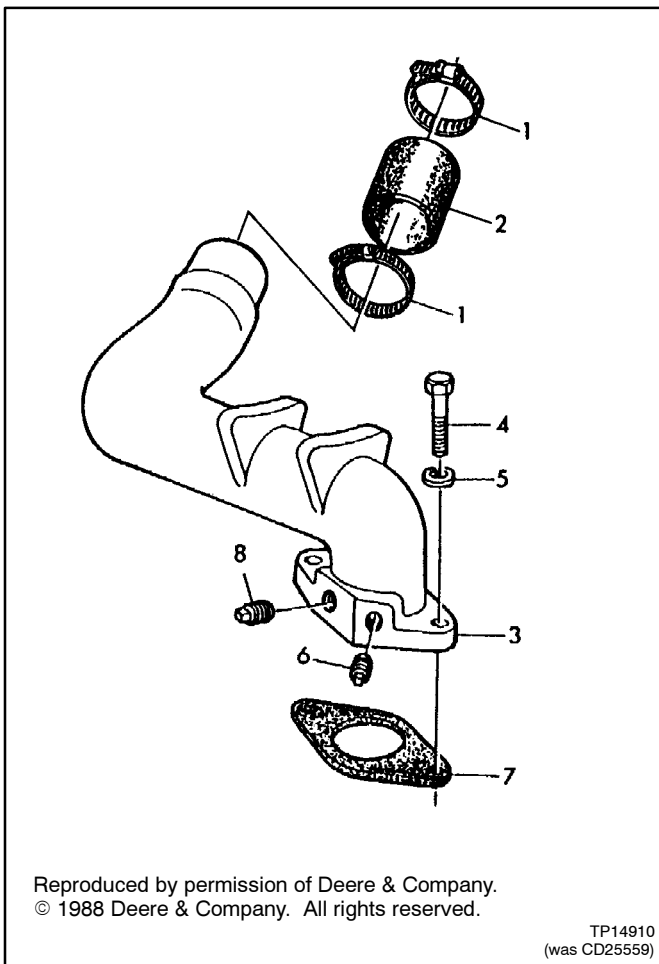


# Notes

# Group 1: Air Intake



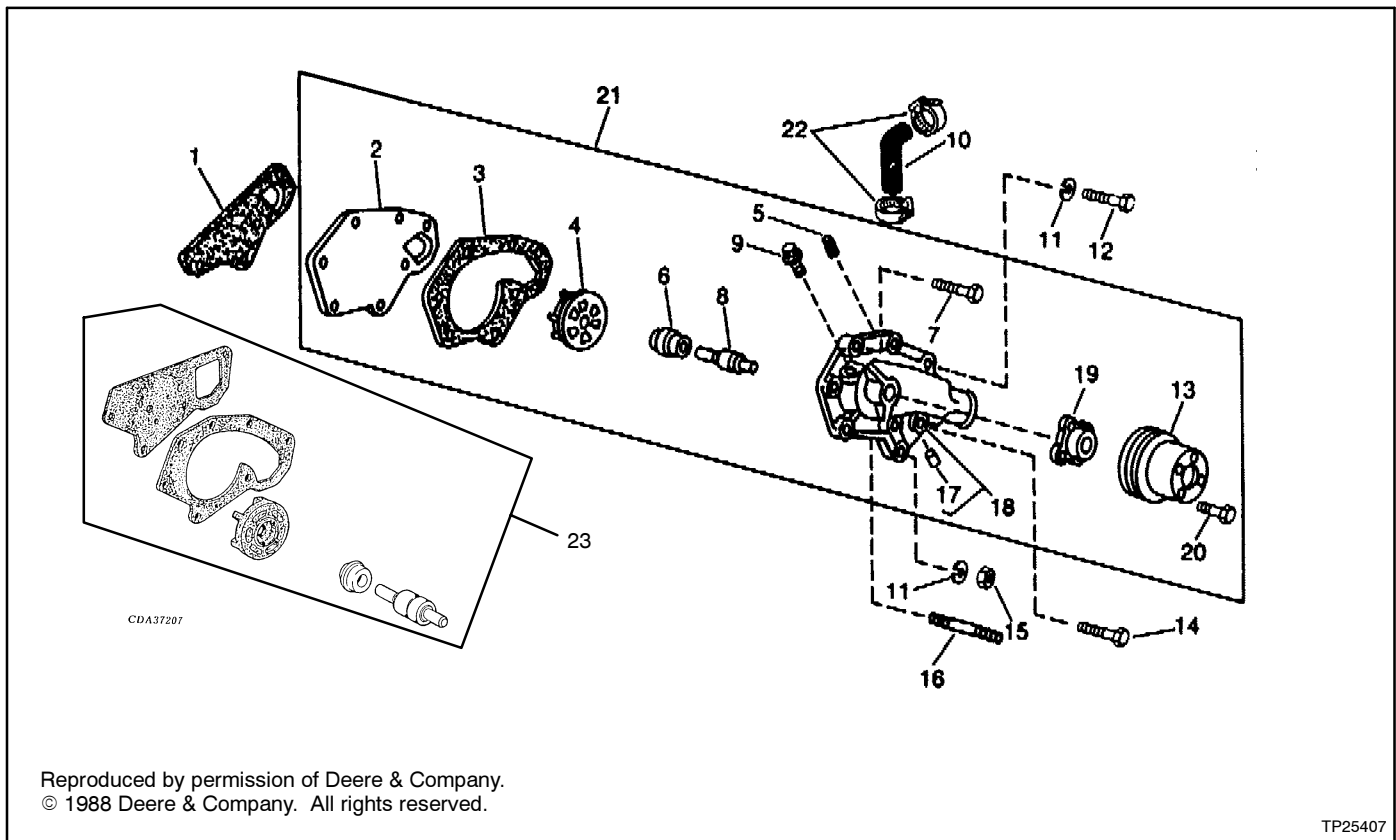
Item	Part Number	Description	Quantity	
			Variation Number 1	1705
1	#	Plug, 3/8 NPT pipe	1	
2	223532	Gasket	1	1
3	#	Washer, 3/8 in. lock	2	
4	#	Screw, 3/8-16 x 1 1/4 in. cap	2	
4	#	Screw, M10 x 35		2
5	223647	Elbow, air intake	1	
5	360545	Air Intake		1



Item	Part Number	Description	Quantity	
			Variation Number 2	1701
1	#	Clamp	2	2
2	#	Hose, 2 in. ID x 2 1/2 in.	2	
3	224152	Hose		4
3	223529	Duct, air	1	
3	360544	Air Intake		1
4	#	Screw, 3/8-16 x 1 1/4 in.	2	
4	#	Screw, M10 x 25		2
5	#	Washer, 3/8 lock	2	
6	#	Plug, 3/8 NPT	1	
6	#	Plug		1
7	223532	Gasket	1	1
8	#	Plug, 1/8 NPT pipe	1	

# Common hardware; procure locally.

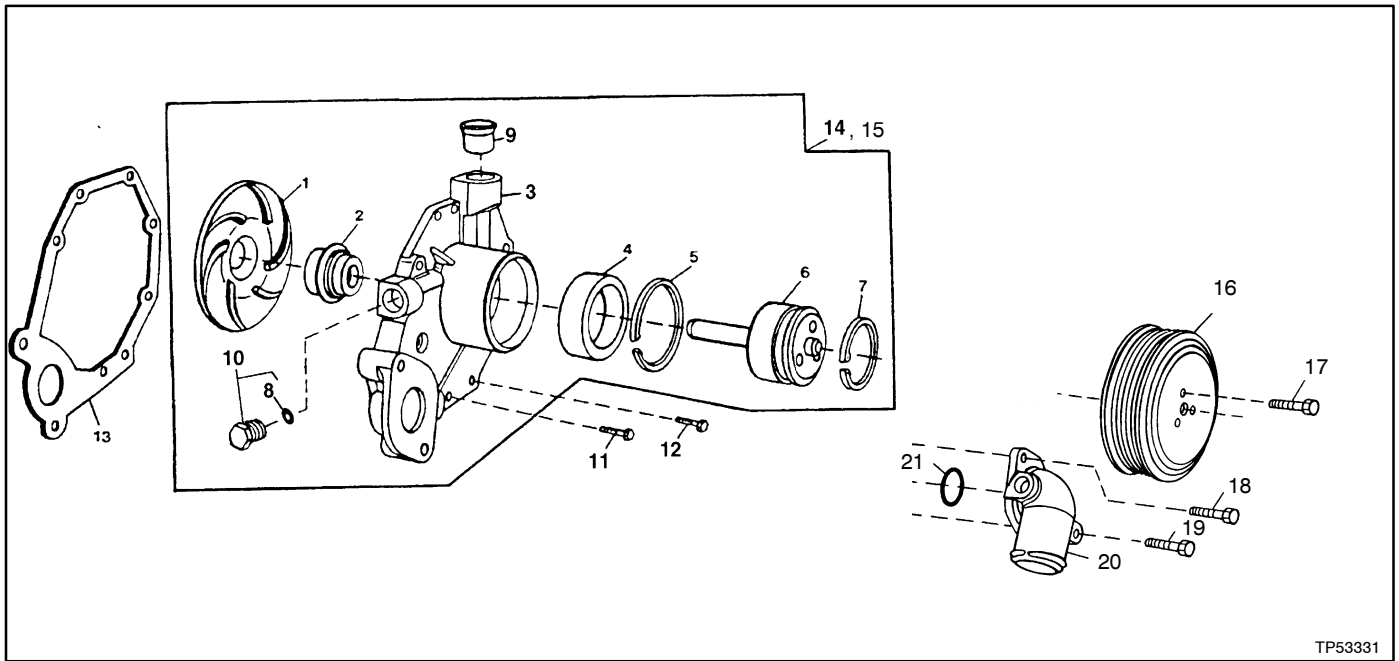
# Group 2a: Water Pump



Item	Part Number	Description	Quantity
			Variation Number
1	223628	Gasket	1
2	X	Cover	1
3	X	Gasket	1
4	X	Impeller	1
5	#	Plug, 1/2 in. pipe	1
6	X	Seal kit (w/insert tool)	2
7	#	Screw, 3/8-16 x 1 3/8 in.	1
8	X	Bearing, ball	1
9	X	Fitting, hose	1
10	223629	Hose	3
11	#	Washer, 3/8 in. lock	1
12	#	Screw, 3/8-16 x 3 1/2 in.	1
12	#	Screw, 3/8-16 x 2 in.	1
13	223659	Pulley	1
14	#	Screw, 3/8-16 x 3 1/4 in.	1
15	#	Nut, 3/8-16	1
16	224336	Stud	1
17	X	Tube	1
18	X	Pump, water	1
19	X	Hub	1
20	#	Screw, 5/16-18 x 7/8 in.	4
21	223433	Pump assembly, water	1
22	#	Clamp	2
23	336633	Water pump kit	1

# Common hardware, procure locally.  
 X Item not sold separately.

# Group 2a: Water Pump



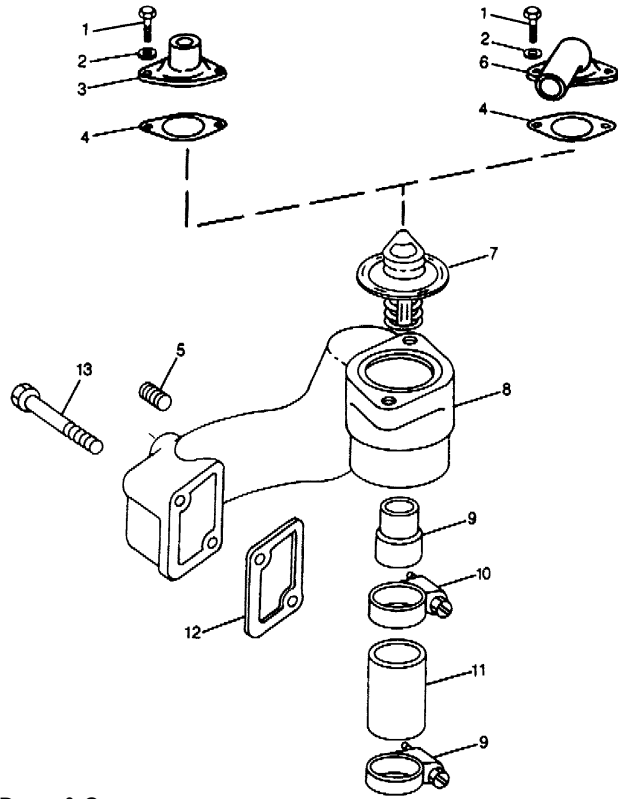
TP53331

Item	Part Number	Description	Quantity			
			Variation Number			
			4401	5702	2001	2002
1	X	Impeller	1			
2	X	Seal	1			
3	X	Housing	1			
4	X	Bearing, ball	1			
5	X	Ring	1			
6	X	Shaft	1			
7	360003	Ring, snap	1			
8	360176	O-ring	1			
9	360116	Seal	1			
10	360014	Plug	1			
11	#	Screw, M6 x 30	3			
12	#	Screw, M6 x 25	5			
13	360124	Gasket	1			
14	GM29383	Pump, water	1			
15	360061	Kit, water pump repair (includes items 1-7, 9)	1			
16	360085	Pulley, water pump			1	
16	360559	Pulley, water pump				1
17	#	Screw, M6 x 12			3	3
18	#	Screw, M8 x 25		1		
19	#	Screw, M8 x 65		1		
20	360109	Adapter, water pump		1		
21	224172	O-ring		1		

# Common hardware, procure locally.

X Item not sold separately.

# Group 2b: Thermostat



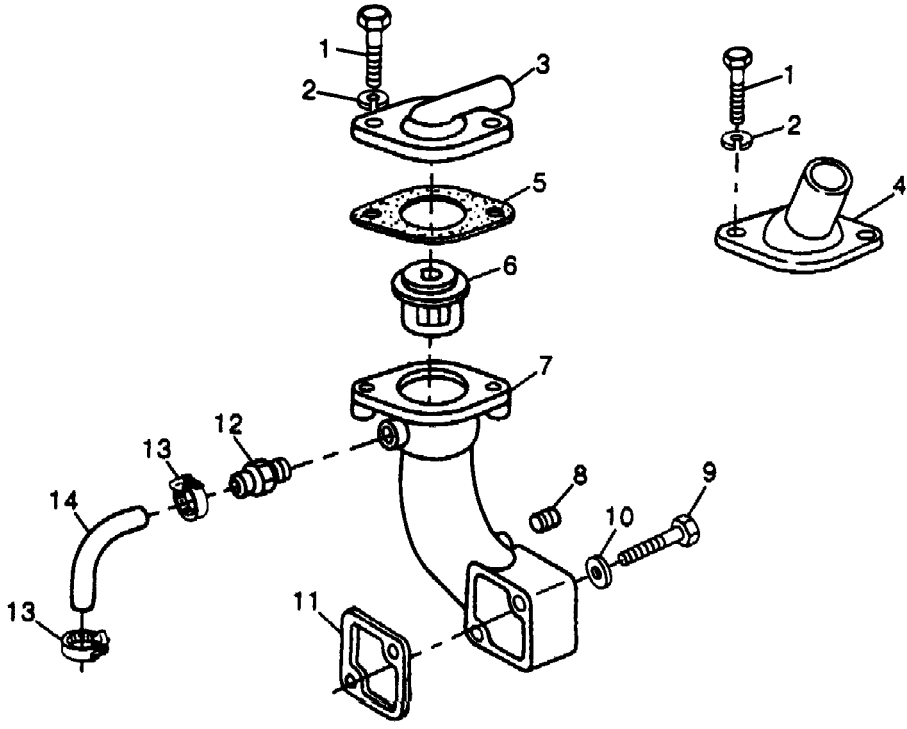
Reproduced by permission of Deere & Company.  
 © 1988 Deere & Company. All rights reserved.

TP26841

Item	Part Number	Description	Quantity	
			Variation Number	
			1	3
1	#	Screw, 3/8-16 x 1 1/4 in.	2	
1	#	Screw, 3/8-16 x 1 1/2 in.		2
2	#	Washer, plain, 13/32 x 11/16 x 0.060 in.	2	2
3	223635	Cover	1	
3	336444	Cover		1
4	223626	Gasket	1	
4	336445	Gasket		1
5	#	Plug, 1/2 NPT pipe	1	1
6	Not Used			
7	223676	Thermostat	1	1
8	224286	Housing	1	1
9	224275	Tube	1	1
10	#	Clamp, hose	2	2
11	224276	Hose	1	1
12	224020	Gasket, thermostat housing	1	1
13	#	Screw, 3/8-16 x 2 3/4 in.	2	2
13	#	Washer, lock, 3/8 in.	2	2

# Common hardware, procure locally.

# Group 2b: Thermostat



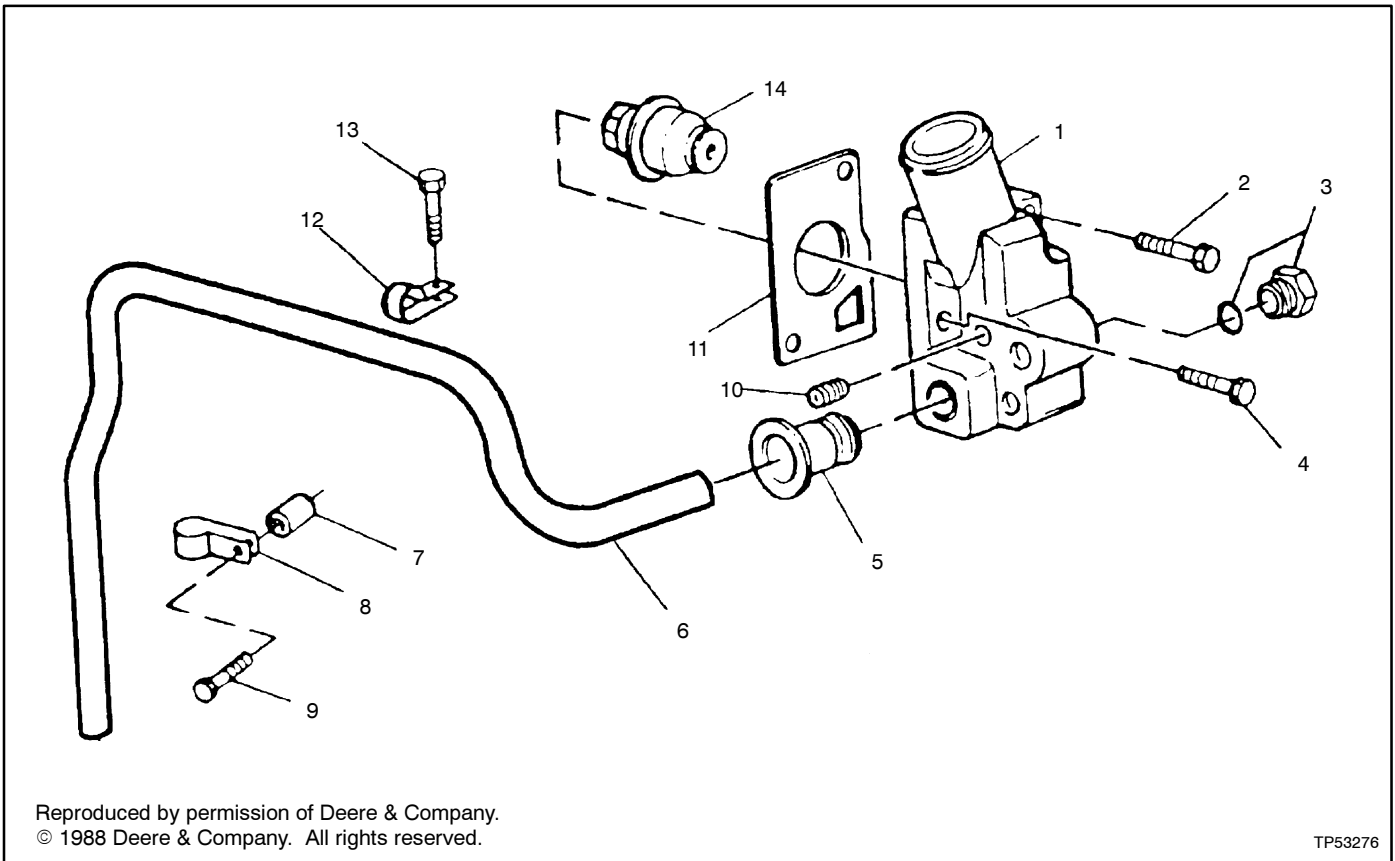
Reproduced by permission of Deere & Company.  
 © 1988 Deere & Company. All rights reserved.

TP26869

Item	Part Number	Description	Quantity	
			Variation 2	Number 4
1	#	Screw, 3/8-16 x 1 1/4 in.	2	
1	#	Screw, 3/8-16 x 1 1/2 in.		2
2	#	Washer, 13/32 x 11/16 x .06 in.	2	2
3	Not Used			
4	223635	Cover	1	
4	336444	Cover		1
5	223626	Gasket	1	
5	336445	Gasket		1
6	223595	Thermostat	1	1
7	224350	Housing	1	1
8	#	Plug, 1/2 NPT pipe	1	1
9	#	Screw, 3/8-16 x 2 3/4 in. cap	2	2
10	#	Washer, 3/8 in. lock	2	2
11	224020	Gasket, thermostat housing	1	1
12	223605	Fitting, hose	1	1
13	#	Clamp	2	2
14	223629	Hose	1	1

# Common hardware, procure locally.

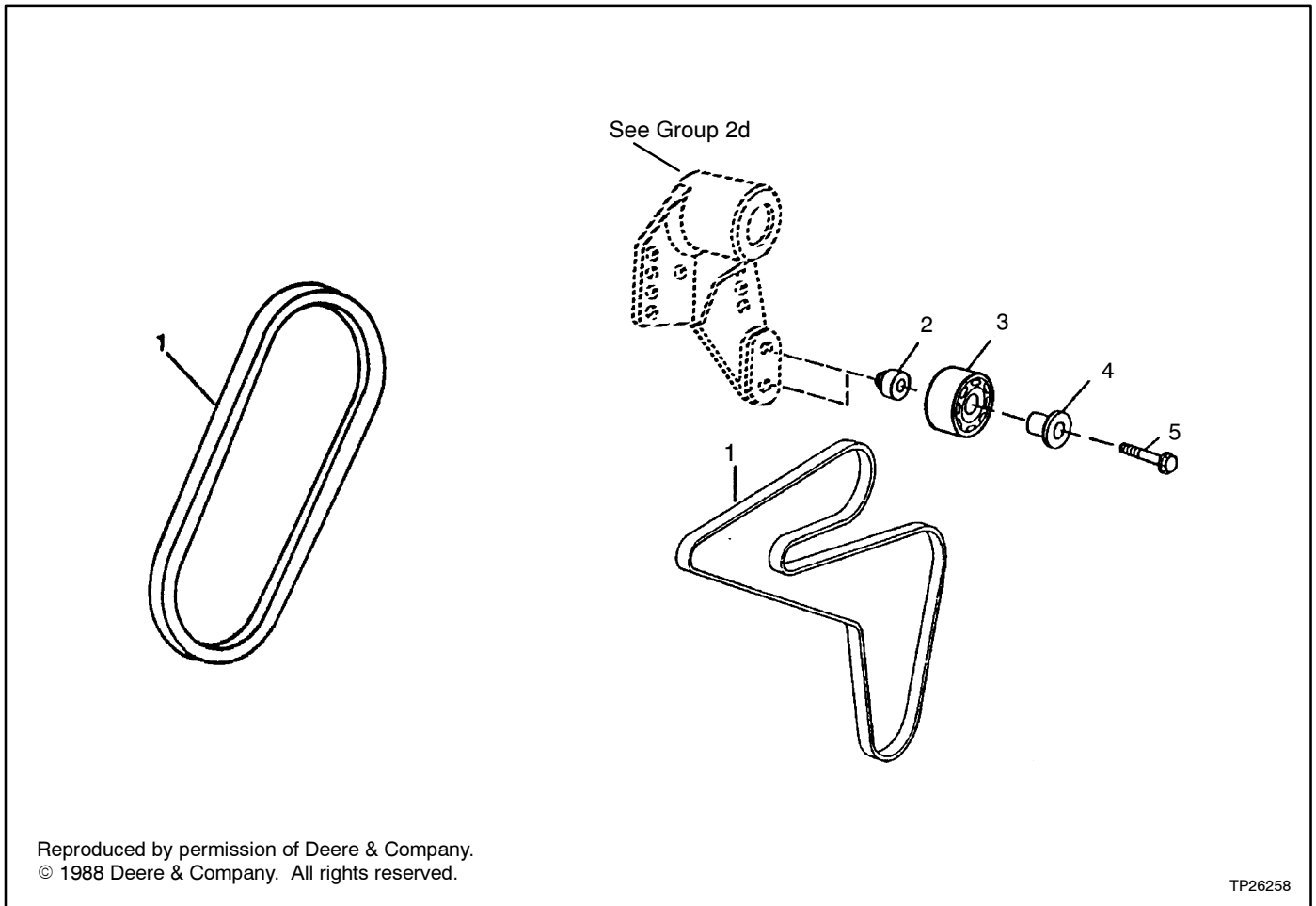
## Group 2b: Thermostat, continued



Item	Part Number	Description	Quantity	
			Variation Number 2102	Variation Number 2112
1	360126	Cover, thermostat	1	1
2	#	Screw, M10 x 70	1	1
3	360013	Plug	1	1
4	#	Screw, M10 x 30	2	1
5	360116	Seal	1	1
6	360142	Tube	1	
6	GM23839	Tube		1
7	#	Washer, 0.423 x 0.675 x 3/8 in.	1	
8	360121	Clamp	1	1
9	#	Screw, M8 x 60	1	
10	#	Pipe Plug, 1/2 in.	3	3
11	360484	Gasket, thermostat cover	1	1
12	360120	Clamp	1	1
13	#	Screw, M8 x 60	1	
13	#	Screw, M12 x 25		1
14	223595	Thermostat	1	1

# Common hardware, procure locally.

# Group 2c: Fan Belt



Reproduced by permission of Deere & Company.  
 © 1988 Deere & Company. All rights reserved.

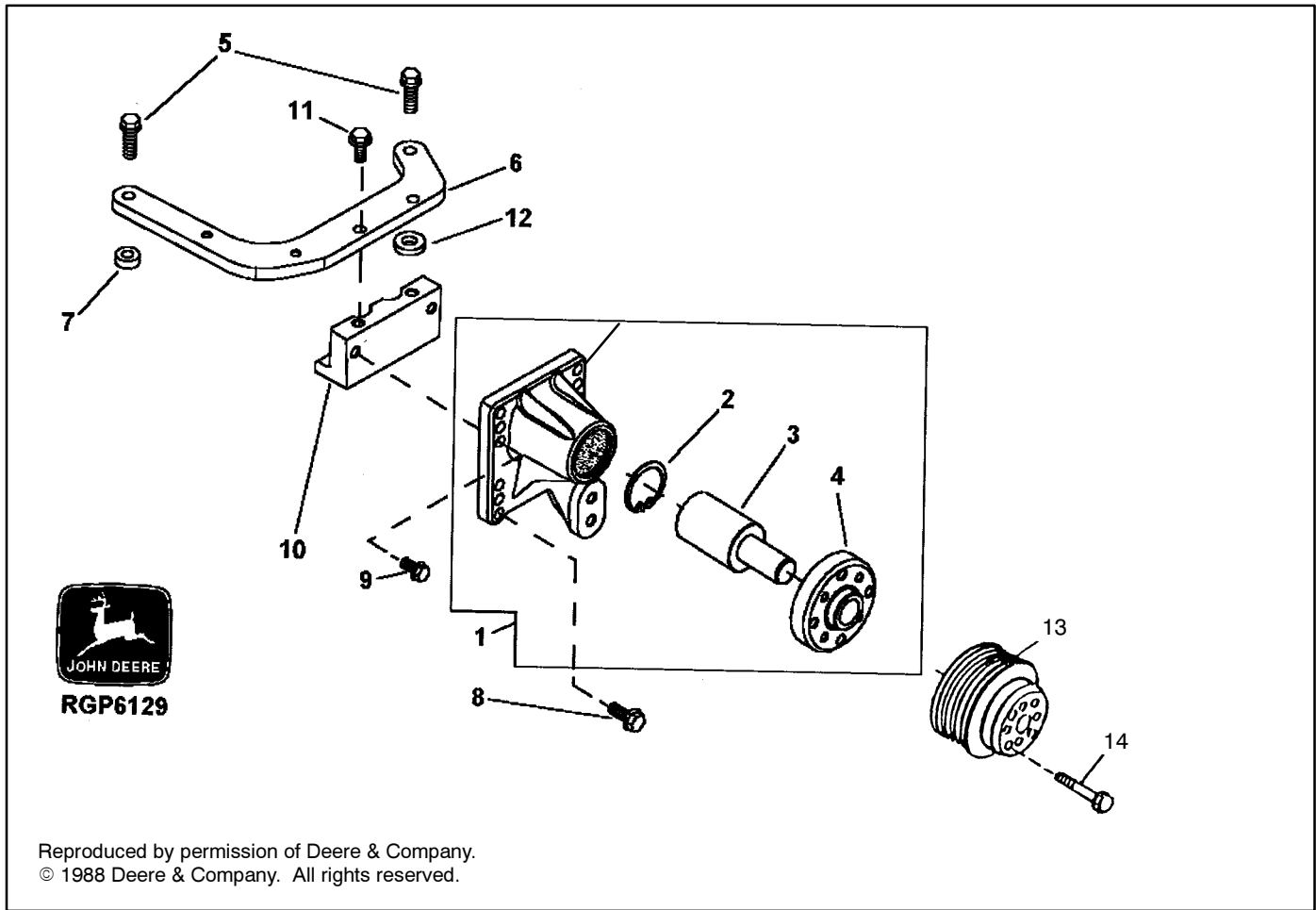
TP26258

Item	Part Number	Description	Quantity				
			Variation Number				
			1	2	2460	240B	240D
1	224263	Belt set (matched set of 2)	1				
1	223640	Belt, 11/16 x 49 1/2 in.		1			
1	360483	Belt, fan			1		
1	GM28308	Belt (1515 mm)				1	
1	GM23827	Belt (1545 mm)					1
2	360583	Spacer			1		
3	352836	Pulley			1		
4	360584	Sleeve			1		
5	#	Screw, M10 x 65			1		

# Common hardware, procure locally.



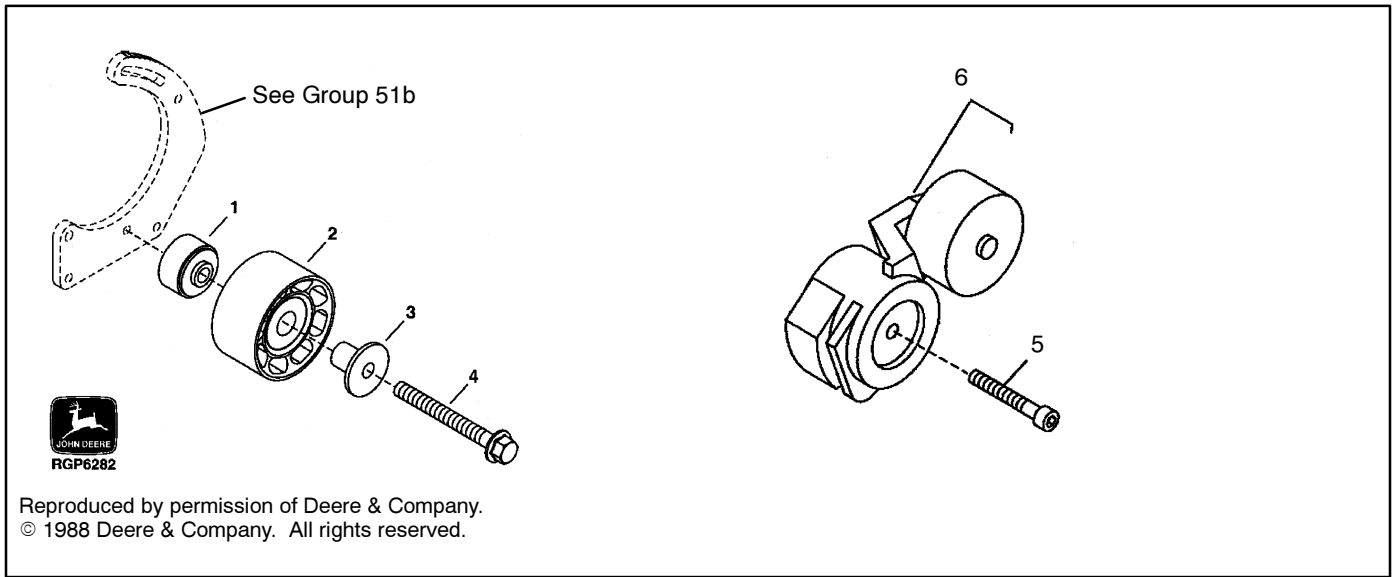
# Group 2d: Fan Drive



Item	Part Number	Description	Quantity			
			Variation Number			
			2314	2301	8604	8605
1	GM23844	Support	1			
1	360030	Bearing housing		1		
2	223730	Ring, snap	1			
2	360005	Ring, snap		1		
3	X	Shaft	1			
3	360095	Bearing		1		
4	X	Hub	1			
4	360096	Hub		1		
5	#	Screw, M12 x 35	2			
6	GM23831	Bracket	1			
7	GM23826	Washer	1			
8	#	Screw, M10 x 35	4	4		
9	#	Screw, M10 x 20	2			
10	GM23830	Spacer	1			
11	#	Screw, M10 x 30	2			
12	GM23855	Washer	1			
13	360578	Pulley, fan			1	
13	360143	Pulley, fan				1
14	#	Screw			4	4

# Common hardware, procure locally.  
X Item not sold separately.

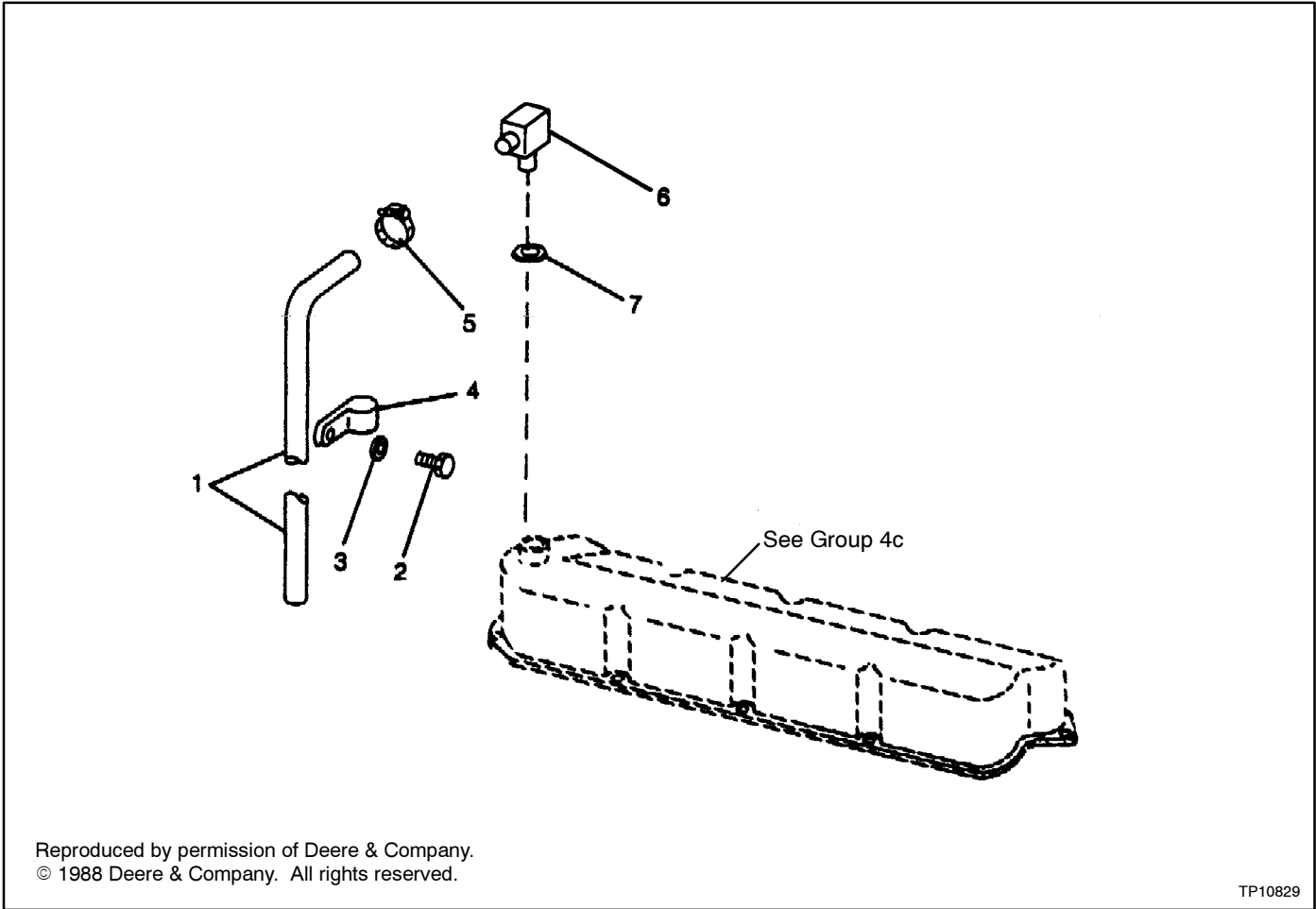
## Group 2d: Fan Drive, continued



Item	Part Number	Description	Quantity	
			8701	8711
1	GM23835	Spacer		1
2	GM17529	Pulley		1
3	GM17488	Sleeve		1
4	#	Screw, M10 x 60		1
5	#	Screw	1	
6	360075	Bracket, tensioner	1	

# Common hardware, procure locally.

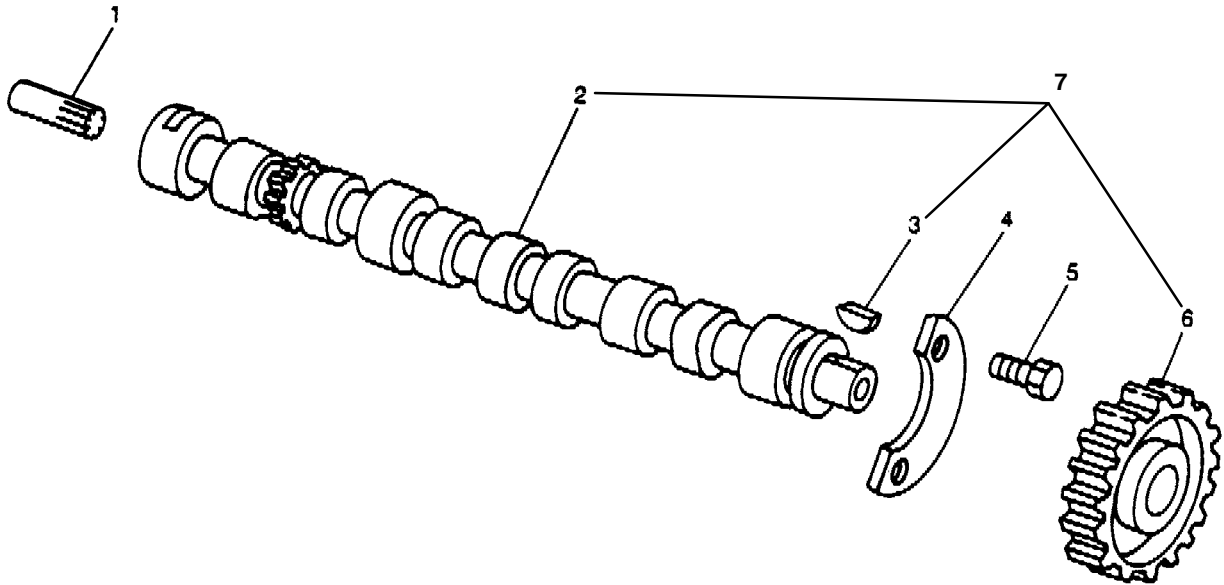
# Group 3: Vent Tube



Item	Part Number	Description	Quantity		
			1	2904	2915
1	223450	Hose	1		
1	224237	Hose		1	
1	GM17459	Hose			1
2	#	Screw, 3/8-16 x 7/8 in. cap	1		
2	#	Screw, M8 x 20		1	1
3	#	Washer, 13/32 x 11/16 x .06 in.	1		
3	#	Washer, lock, 3/8 in.	1		
4	#	Clamp	1	1	1
5	#	Clamp	1		
6	223551	Elbow, fitting	1		
6	360098	Elbow, fitting		1	1
7	223491	O-ring	1		
7	223851	O-ring		1	1

# Common hardware, procure locally.

# Group 4a: Camshaft



**Note:** Camshaft bushings/bearings are not used in this application.

Reproduced by permission of Deere & Company.  
© 1988 Deere & Company. All rights reserved.

TP14248

Item	Part Number	Description	Quantity		
			1	4601	4602
1	224242	Gear, 12 teeth	1		
2	223536	Camshaft (without gear)	1		
2	—	Camshaft (order item 7)		1	1
3	223564	Key, shaft	1		
3	360158	Key, shaft		1	1
4	223610	Plate, thrust	1		
5	#	Screw, 3/8-16 x 1 in. cap	1		
6	223609	Gear, 48 teeth	1		
6	—	Gear, 60 teeth (order item 7)		1	1
7	GM17530	Kit, camshaft and gear		1	1

# Common hardware, procure locally.