

4730 SELF-PROPELLED SPRAYER



JOHN DEERE

PARTS CATALOG

**4730 SELF-PROPELLED
SPRAYER**

PC9820 (SEP-10) English

John Deere Des Moines Works

North American Edition
Litho in U.S.A. (Revised)
COPYRIGHT © 2010
DEERE & COMPANY
Moline, Illinois
All rights reserved

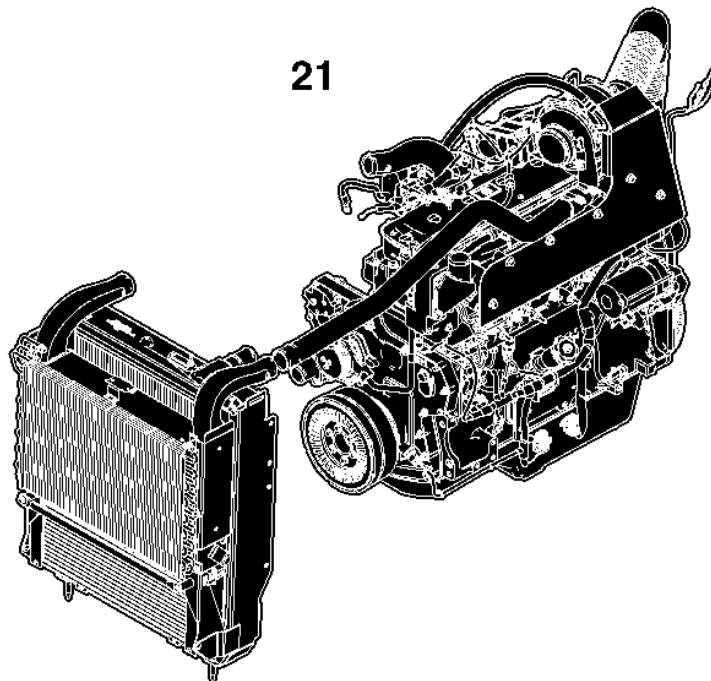
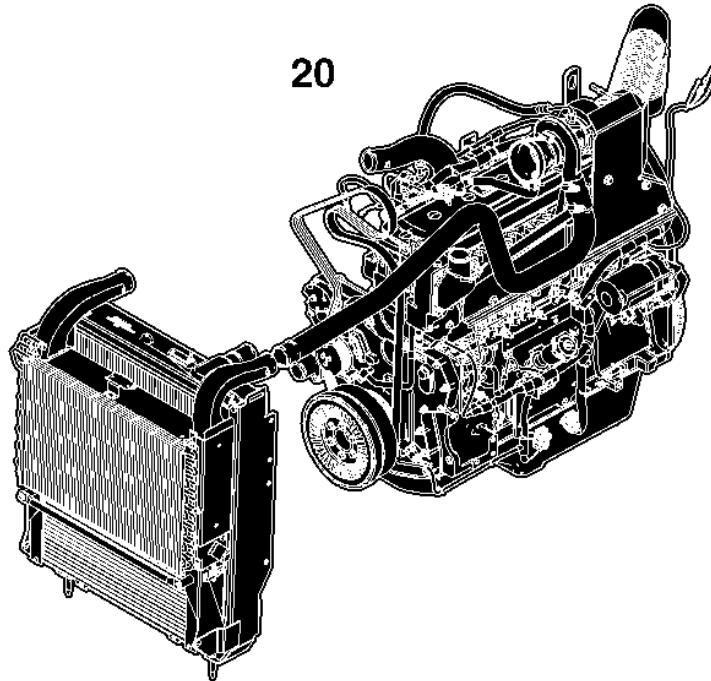
10-A01

4730 SELF-PROPELLED SPRAYER

PRIMARY INDEX
INDEX PRINCIPAL DES ILLUSTRATIONS
INDICE PICTORICO PRINCIPAL

NP17980 -UN-10JUN08

020-	A01
020-	A02
020-	A03
020-	A04
021-	A01
021-	A02



NP17980

10-A02

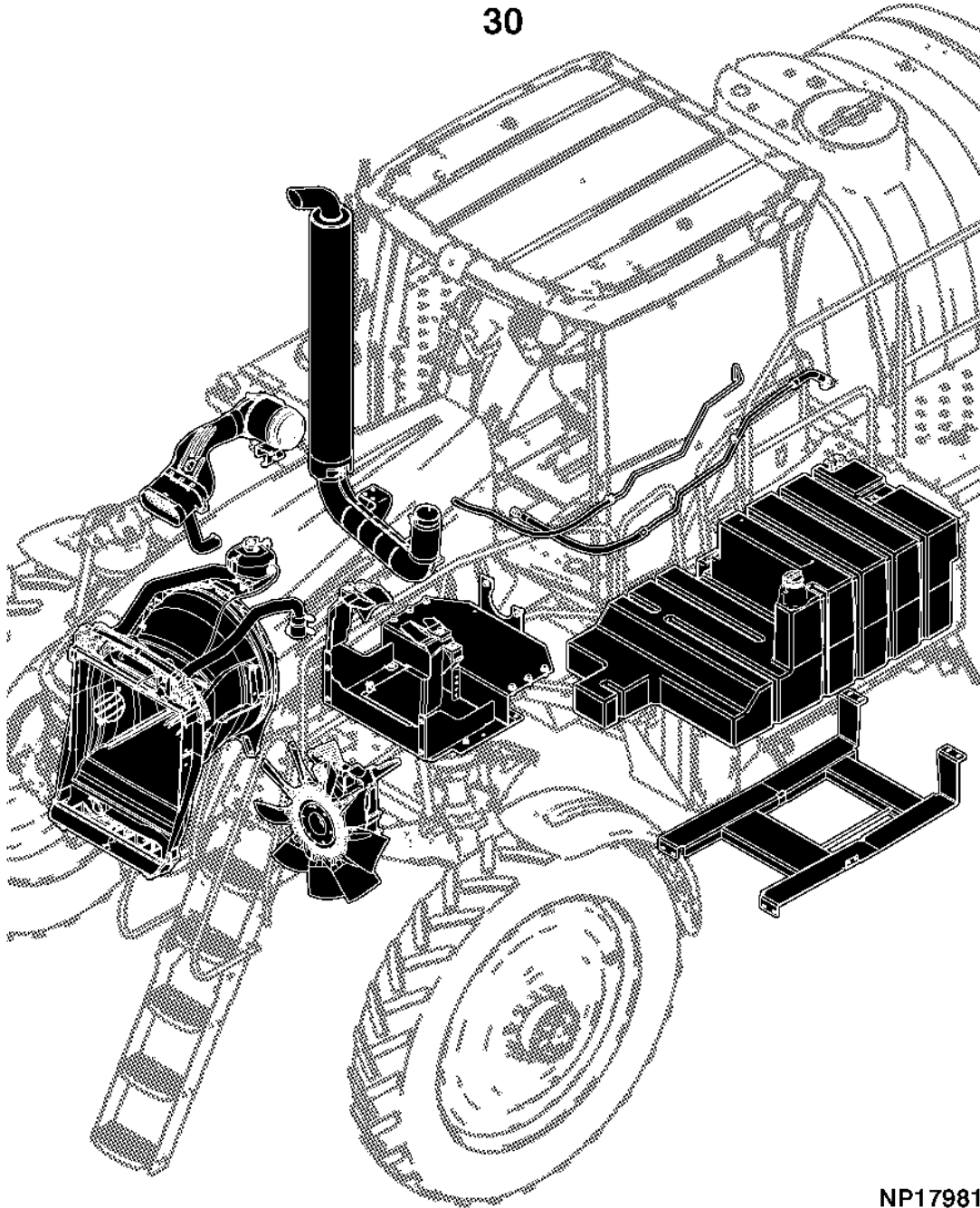
4730 SELF-PROPELLED SPRAYER

PRIMARY INDEX
INDEX PRINCIPAL DES ILLUSTRATIONS
INDICE PICTORICO PRINCIPAL

030- A01

NP17981 -UN-14JUL08

30



NP17981

**Thanks very much for your reading,
Want to get more information,
Please click here, Then get the complete
manual**

JustClickHere 

NOTE:

**If there is no response to click on the link above,
please download the PDF document first, and then
click on it.**

**Have any questions please write to me:
admin@servicemanualperfect.com**

10-A03

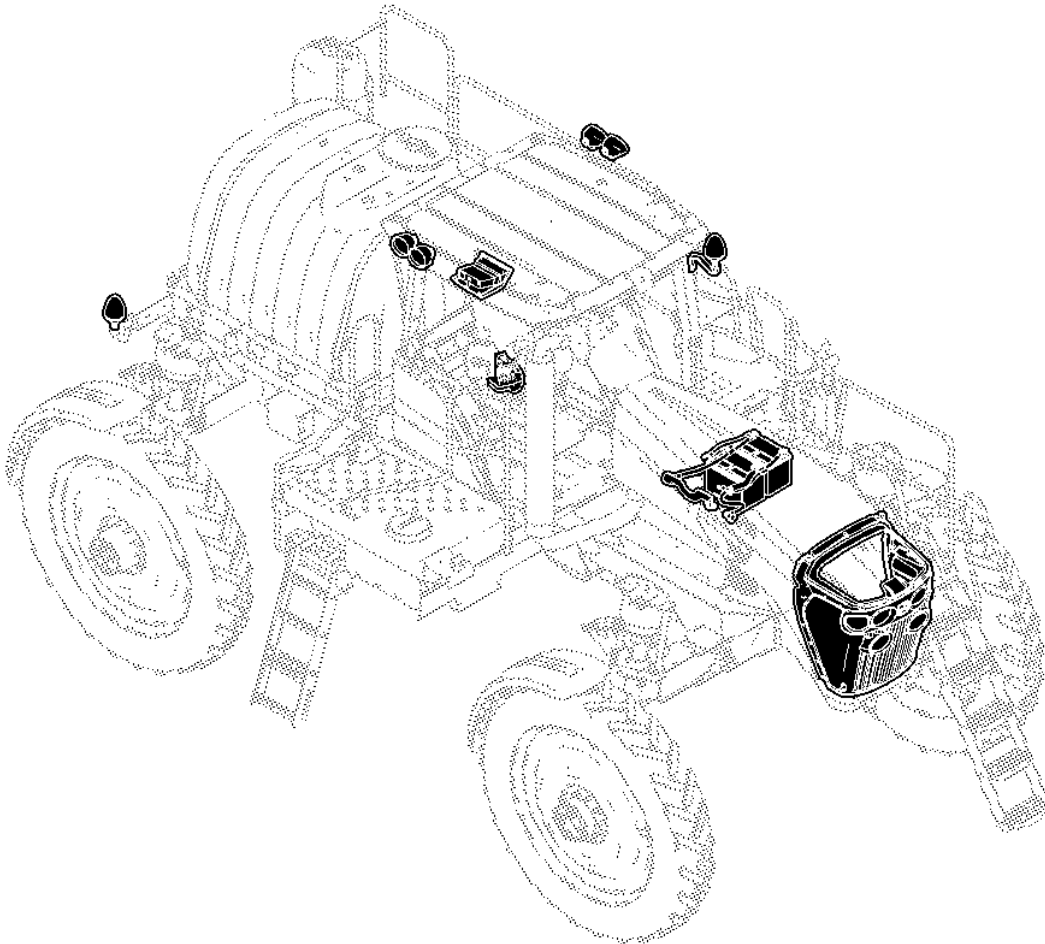
4730 SELF-PROPELLED SPRAYER

PRIMARY INDEX
INDEX PRINCIPAL DES ILLUSTRATIONS
INDICE PICTORICO PRINCIPAL

NP17984 -UN-08JUL08

040- A01
040- A02
040- A03
040- A04
040- A05
040- A06

40



NP17984

10-A04

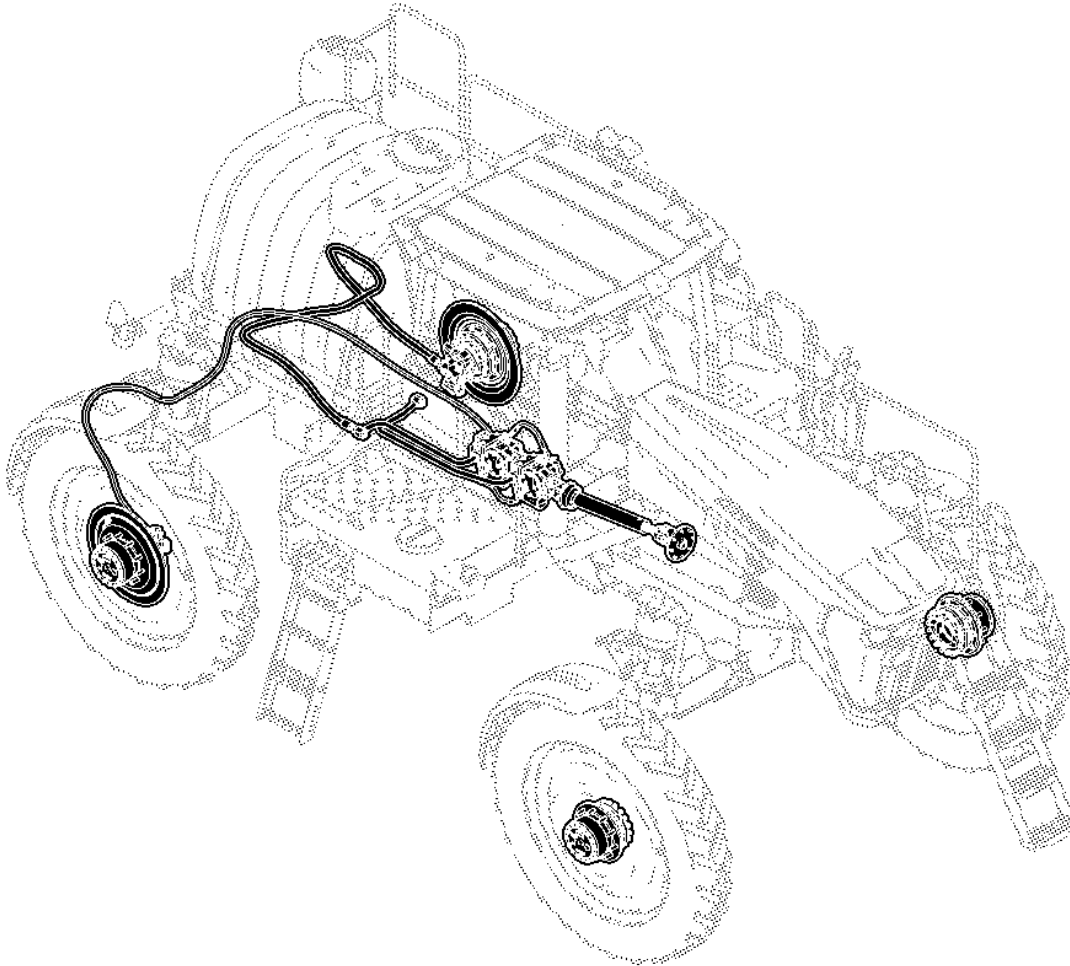
4730 SELF-PROPELLED SPRAYER

PRIMARY INDEX
INDEX PRINCIPAL DES ILLUSTRATIONS
INDICE PICTORICO PRINCIPAL

NP17985 -UN-29JUL08

050- A01
050- A02

50



NP17985

10-A05

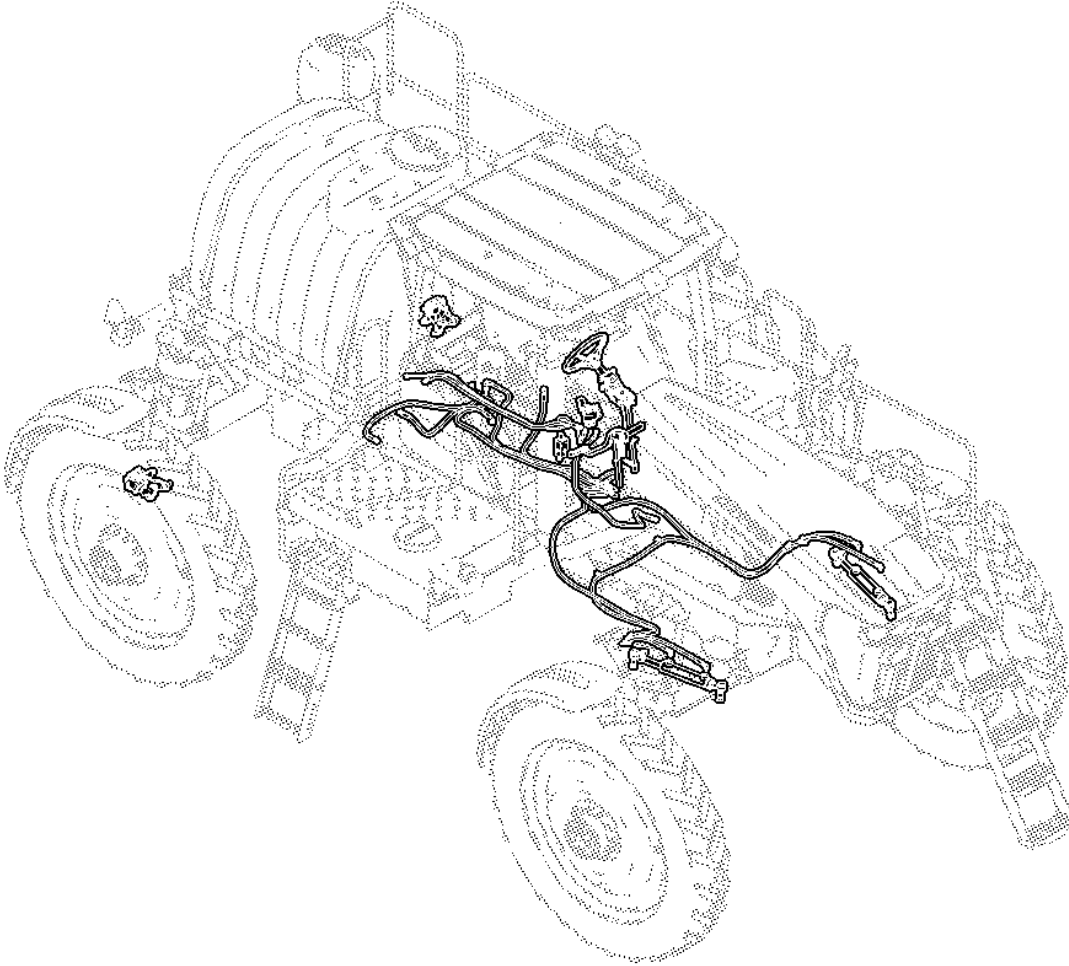
4730 SELF-PROPELLED SPRAYER

PRIMARY INDEX
INDEX PRINCIPAL DES ILLUSTRATIONS
INDICE PICTORICO PRINCIPAL

060- A01

NP17986 -UN-01AUG08

60



NP17986

10-A06

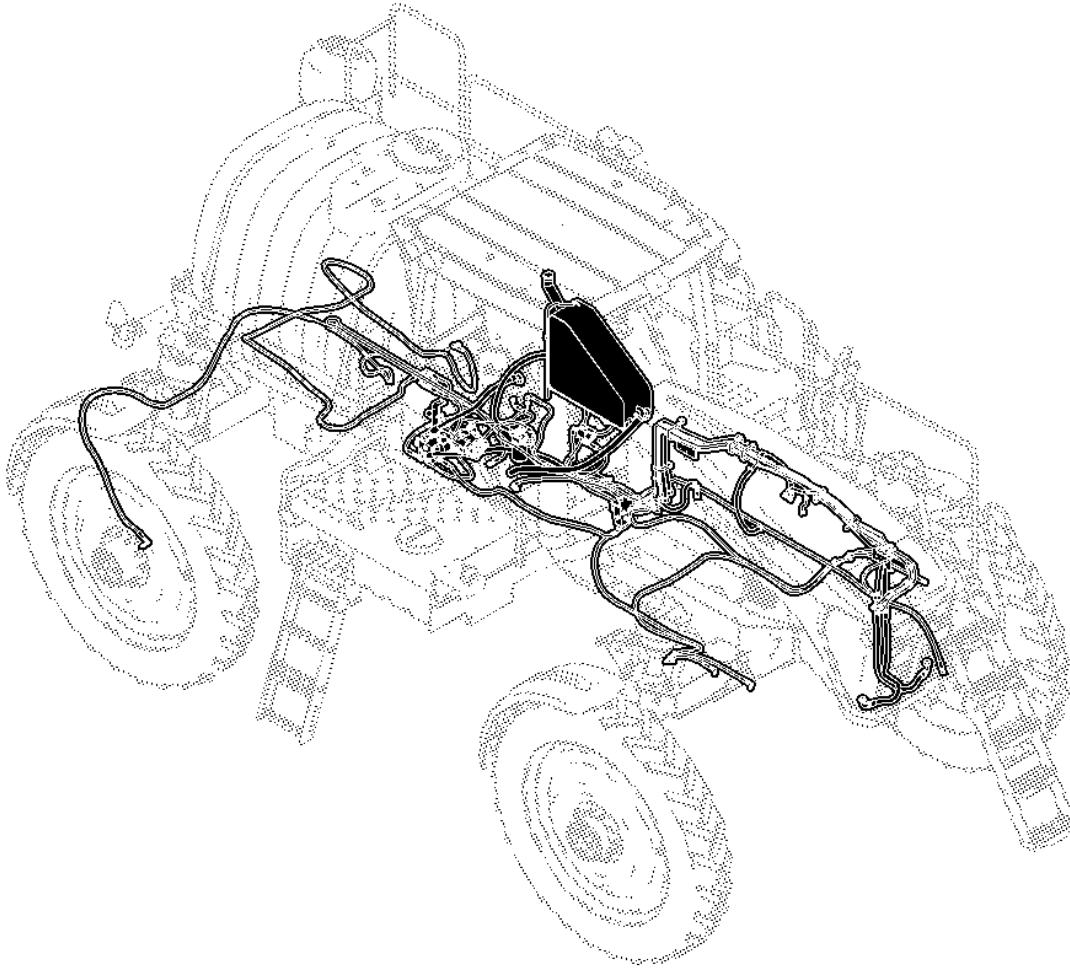
4730 SELF-PROPELLED SPRAYER

PRIMARY INDEX
INDEX PRINCIPAL DES ILLUSTRATIONS
INDICE PICTORICO PRINCIPAL

NP17988 -UN-30JUL08

070- A01
070- A02

70



NP17988

10-A07

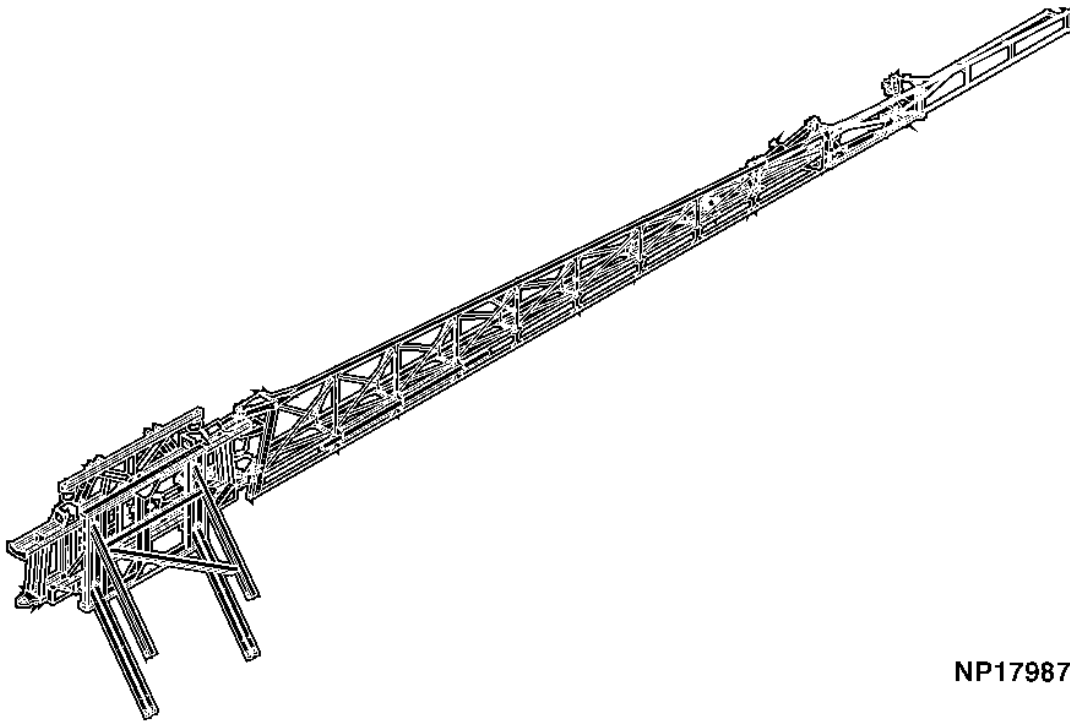
4730 SELF-PROPELLED SPRAYER

PRIMARY INDEX
INDEX PRINCIPAL DES ILLUSTRATIONS
INDICE PICTORICO PRINCIPAL

NP17987 -UN-29JUL08

075- A01
075- A02
075- A03
075- A04
075- A05
075- A06
075- A07
075- A08

75



NP17987

10-A08

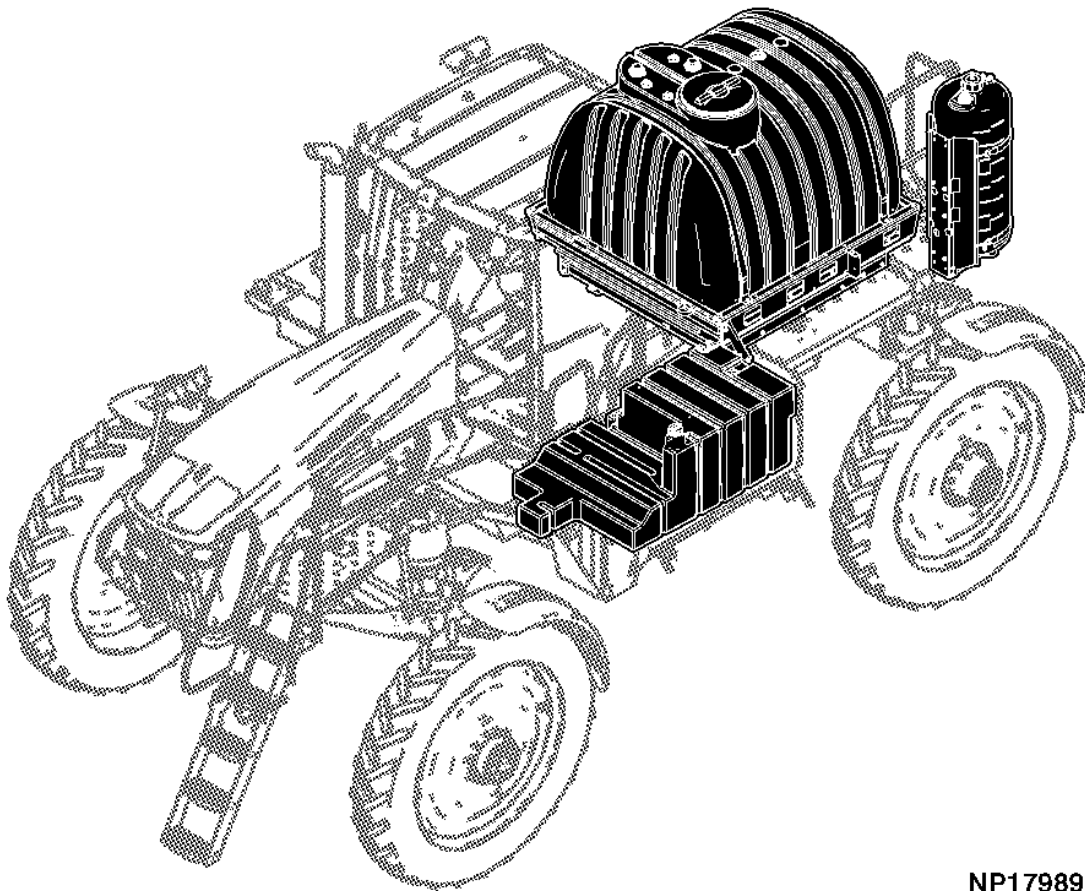
4730 SELF-PROPELLED SPRAYER

PRIMARY INDEX
INDEX PRINCIPAL DES ILLUSTRATIONS
INDICE PICTORICO PRINCIPAL

NP17989 -UN-24JUL08

080- A01
080- A02
080- A03
080- A04

80



NP17989

10-A09

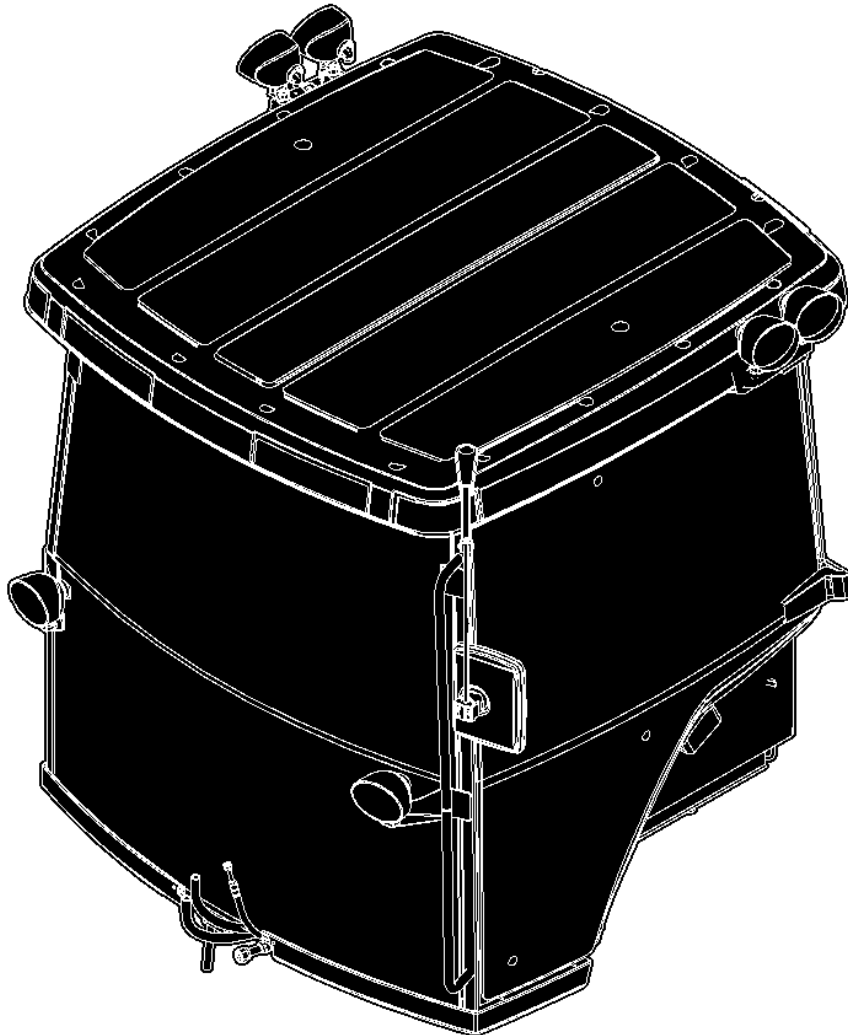
4730 SELF-PROPELLED SPRAYER

PRIMARY INDEX
INDEX PRINCIPAL DES ILLUSTRATIONS
INDICE PICTORICO PRINCIPAL

NP17990 -UN-25JUL08

090- A01
090- A02
090- A03
090- A04
090- A05
090- A06

90



NP17990

10-A1A

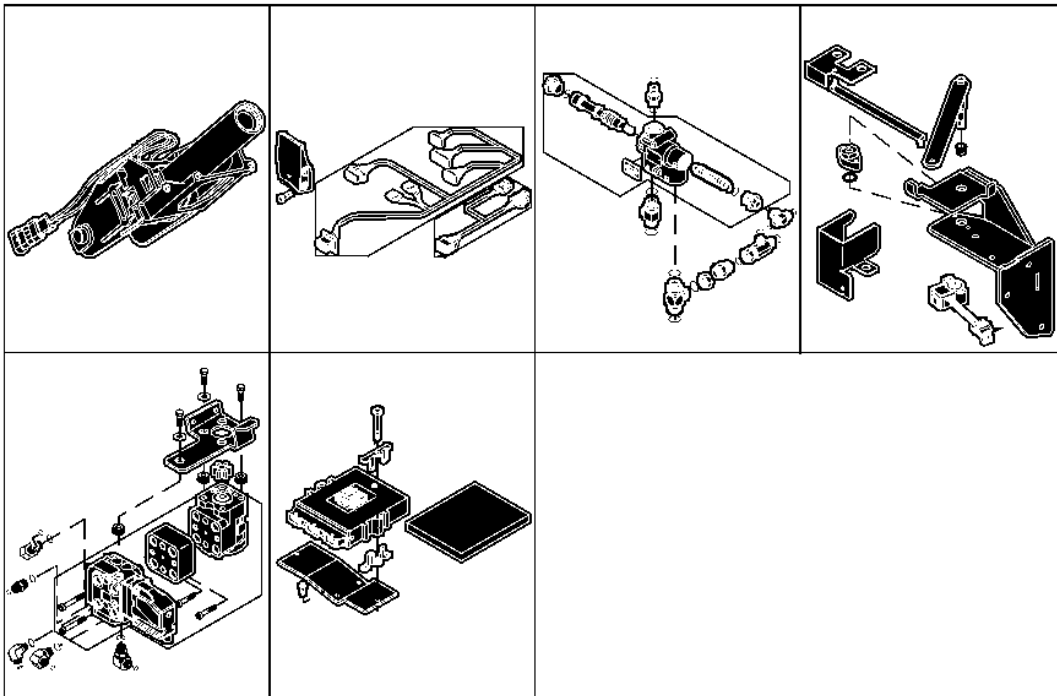
4730 SELF-PROPELLED SPRAYER

PRIMARY INDEX
INDEX PRINCIPAL DES ILLUSTRATIONS
INDICE PICTORICO PRINCIPAL

093- A01

NP17991 -UN-04AUG08

93



NP17991

10-A1B

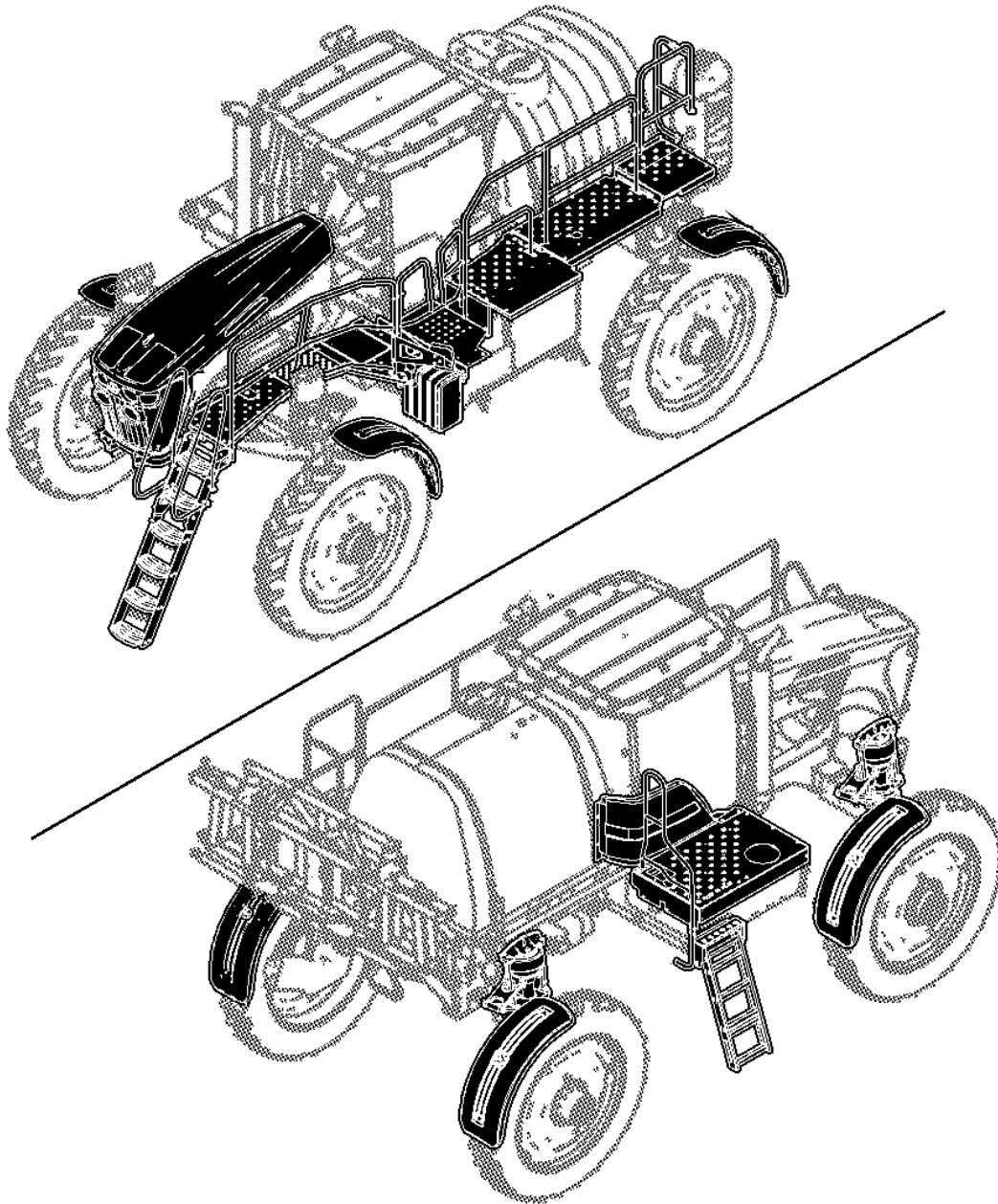
4730 SELF-PROPELLED SPRAYER

PRIMARY INDEX
INDEX PRINCIPAL DES ILLUSTRATIONS
INDICE PICTORICO PRINCIPAL

NP18283 -UN-04AUG08

100-	A01
100-	A02
100-	A03

100



NP18283

10-A1C

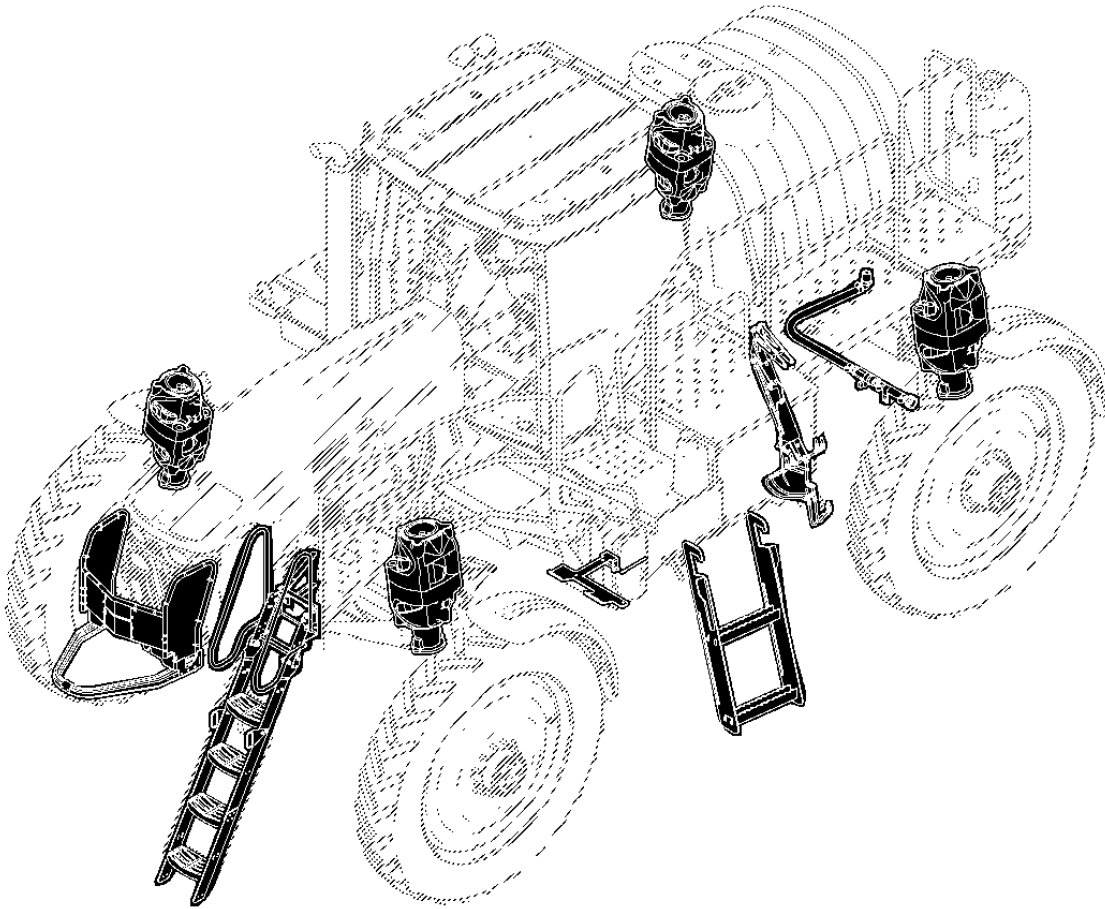
4730 SELF-PROPELLED SPRAYER

PRIMARY INDEX
INDEX PRINCIPAL DES ILLUSTRATIONS
INDICE PICTORICO PRINCIPAL

103- A01

NP20972 -UN-30JUL09

103



NP20972

10-A1D

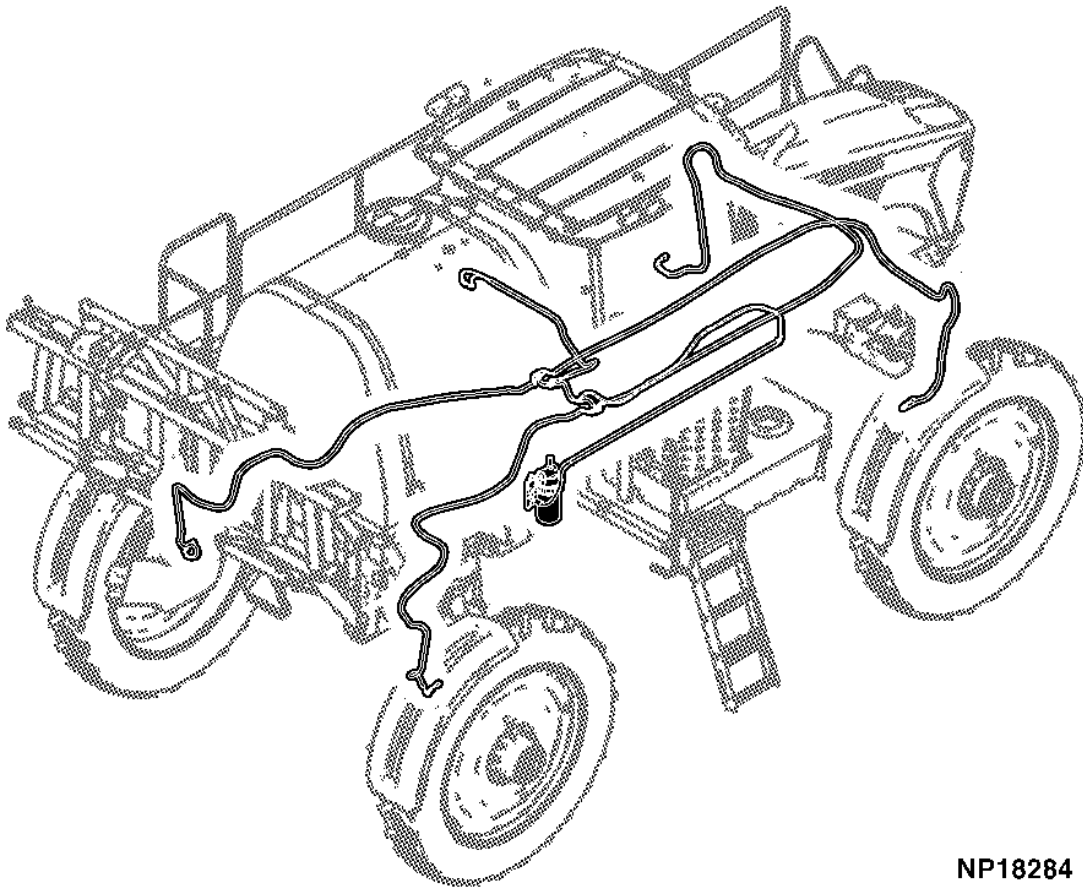
4730 SELF-PROPELLED SPRAYER

PRIMARY INDEX
INDEX PRINCIPAL DES ILLUSTRATIONS
INDICE PICTORICO PRINCIPAL

105- A01

NP18284 -UN-04AUG08

105



NP18284

10-A1E

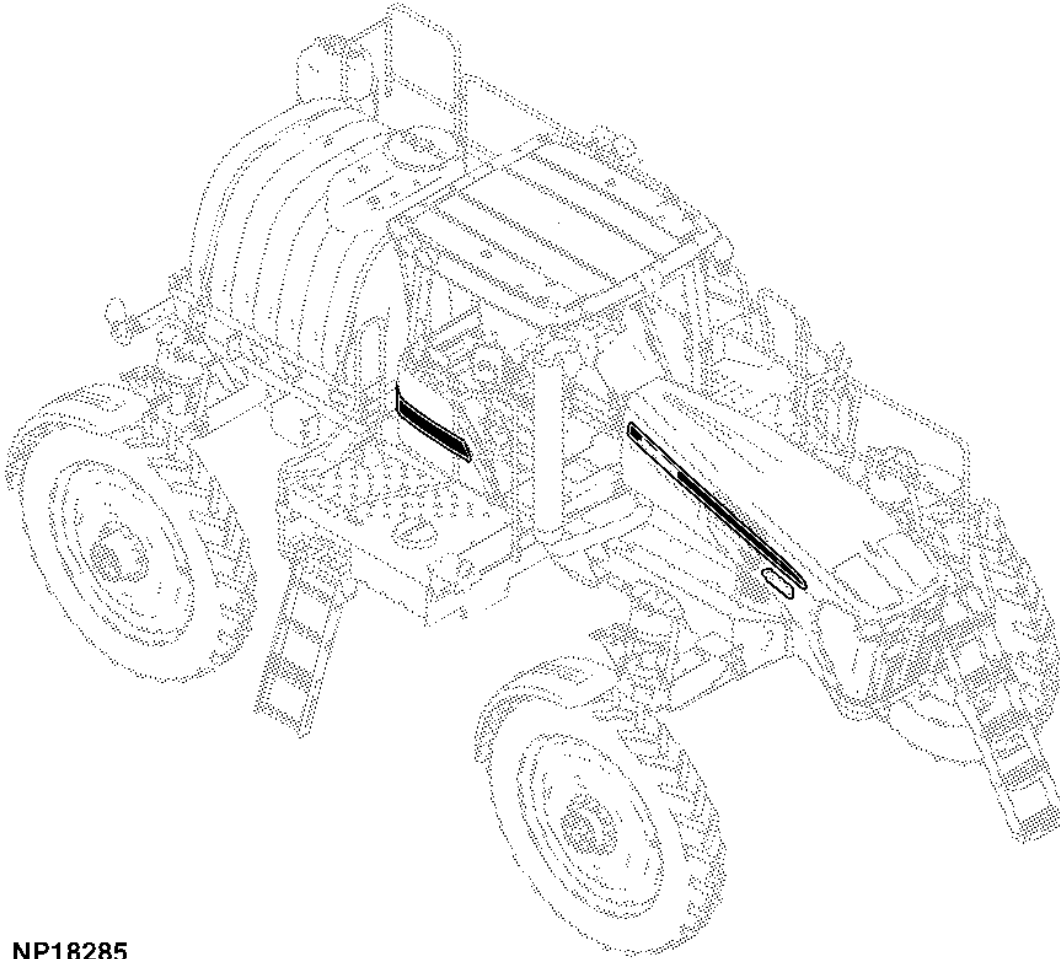
4730 SELF-PROPELLED SPRAYER

PRIMARY INDEX
INDEX PRINCIPAL DES ILLUSTRATIONS
INDICE PICTORICO PRINCIPAL

110- A01

NP18285 -UN-01AUG08

110



NP18285

NP17903

-UN-15MAY08



JOHN DEERE 4730 SELF-PROPELLED SPRAYER
(MANUFACTURED 2007-)

(SPECIFICATIONS AND DESIGN ARE SUBJECT TO CHANGE WITHOUT NOTICE)

**CODES USED IN "REMARKS" COLUMN
CODES UTILISES DANS LA COLONNE "REMARQUES"
KODE-ZEICHEN IN DER SPALTE "BEMERKUNGEN"
CODICI USATI NELLA COLLONA "NOTE"
CODIFICACION EN LA COLUMNA "NOTAS"
KODTAS SOM ANVANDS PA KOLUMN "ANMARKNINGAR"**

LVP7421 -UN-07JUN06

PHRASE	ENGLISH	FRANCAIS	DEUTSCH	ITALIANO	ESPAÑOL	SVENSKA
ALSO INCLUDES	Also includes	inclut également	schließt auch ein	inoltre include	también incluye	Också omfattar
AMP. A	Ampere	Ampère	Ampere	Ampere	Amperio	Ampere
AND	And	Et	Und	E	Y	Och
APPL, APPL ONLY	This application only	Uniquement pour cette utilisation	Nur für diese Anwendung	Solo per questa applicazione	Solo para este propósito	Endast för denna användning
AR	As required	Selon le besoin	Nach Bedarf	Secondo necessità	Según necesidad	Vid behov
ASSY	Complete assembly	Ensemble complet	Kompl.-Zusammenbau	Gruppo completo	Montaje completo	Komplett montering
CONVENIENCE ASSY	Convenience assembly	Ensemble convenance	Komfort-Zusammenbau	Montaggio pratico	Montaje de conveniencia	Lämplig montering
CCW	Counter-clockwise	Sens anti-horaire	Gegen Uhrzeigersinn	Senso antiorario	A la izquierda	Moturs
COMPLETE	Complete	Complet	Vollständig	Completo	Completo	Fullständig
COMPLETE GOODS	Complete goods	Compléter marchandises	Vollst. Waren	Merci complete	Mercancias completas	Kompleta varor
CUT TO LENGTH	Cut to length	Couper à la longueur	Auf Länge zurechtschneiden	Tagliare alla lunghezza	Corte a la longitud	Skära till längd
CW	Clockwise	Sens horaire	Im Uhrzeigersinn	In senso orario	A la derecha	Medurs
E-PTO	E-PTO. Economy Power Take Off	La Puissance D'Économie Décollet	Wirtschaft-Energie Entfemen Sich	L'Alimentazione Di Economia Toglie	La Energia De la Economía Saca	Sparsamhet Förmåga Ta bort
FOR	For	Pour	Für	Per	Para	För
FRONT	Front	Avant	Vorn	Anteriore	Frente	Fram
GAS	Gasoline	Essence	Benzin	Benzina	Gasolina	Bensin
HP	Horsepower	Puissance en cv	Leistung	Potenza	Potencia	Hästkraft
HS, HEAD MARKED	High strength, head marked	Haute résistance, tête marquée	Hochfest, vorn gekennzeichnet	Contrassegnato in testa, ad alta resistenza	Alta fuerza, marca en cabeza	Hög styrka, huvudmärkt
HS, SAE	High strength, SAE rating	Haute résistance, SAE	Hochfest, SAE-Nennwert	Ad alta resistenza, potenza SAE	Alta fuerza, SAE	Hög styrka, SAE
ID	Inside diameter	Diamètre intérieur	Innendurchmesser	Diametro interno	Diá. interior	Innerdiameter
INCH	Inch	Pouce	In.	Pollice	Pulg.	Tum
INCL, INCLUDES	Includes...	Comprend...	Enthält...	Include...	Incluye...	Inkluderar...
INCLUDES PARTS/ITEMS MARKED	Includes parts/items marked...	Comprend les pièces/articles marqués...	Enthält gekennzeichnete Teile/Pos...	Include i pezzi e gli elementi contrassegnati...	Incluye piezas marcadas...	Inkluderar markerade delar/artiklar...
INNER	Inner	Intérieur	Innerer	Interno	Interno	Inre, invändig
KIT	Kit	Kit	Kit	Kit	Juego	Sats
LGTH	Length	Longueur	Länge	Lunghezza	Longitud	Längd
LH, LEFT	Left-hand	Gauche	Links	Sinistra	Izquierda	Vänster
LOW, LOWER	Lower	Inférieur	Unterer	Inferiore	Inferior	Nedre
MAKE FROM	Make from	Faire avec	Herstellen von	Fabbricare da	Hacer da	Tillverka av
MARKED	Marked	Marqué	Markiert	Contrassegnato	Marcado	Märkt

LVP7421

CODES USED IN "REMARKS" COLUMN
 CODES UTILISES DANS LA COLONNE "REMARQUES"
 KODE-ZEICHEN IN DER SPALTE "BEMERKUNGEN"
 CODICI USATI NELLA COLLONA "NOTE"
 CODIFICACION EN LA COLUMNA "NOTAS"
 KODATS SOM ANVANDS PA KOLUMN "ANMARKNINGAR"

LVP7422

-UN-07JUN06

PHRASE	ENGLISH	FRANCAIS	DEUTSCH	ITALIANO	ESPAÑOL	SVENSKA
MATCHED SET	Matched set	Ensemble assorti	Passender Satz	Set abbinato	Sistema emparejado	Anpassad sats
MFWD	Mechanical Front-Wheel Drive	Pont Avant	Allradantrieb	Ruota Motrice Meccanica Anteriore	Tracción Delantera Mecanica	Mekanisk Framhjulsdrift
NOT USED THIS APPL	Not used this application	Ne sert pas pour cette application	In dieser Anwendung nicht benutzt	Non usato in questa applicazione	No se usa en esta aplicación	Ej använd i detta sammanhang
NLA	No longer available	Epuisé	Nicht mehr lieferbar	Non più disponibile	Descontinuado	Ej längre tillgänglig
NSEP	Not supplied separately	Non livré séparément	Nicht einzeln lieferbar	Non fornito separatamente	No se suministra por separado	Kan ej erhållas separat
OD	Outside diameter	Diamètre extérieur	Außerdurchmesser	Diametro esterno	Diá. exterior	Ytterdiameter
OPTIONAL	Optional	En option	Wahlweise	Opzionale	Opcional	Valfri
OR	Or	Ou	Oder	Oppure	O	Eller
ORD, ORDER	Order	Commander	Bestellen	Ordinare	Ordase	Order
OS	Oversize	Sur-dimension	Übergröße	Maggiorato	Sobretamaño	Överdimension
OUTER	Outer	Externe	Äußerer	Esterno	Externo	Yttre, utvändig
PKG, PACKG	Package, Packet of	Emballage, paquet de	Verpackung, verpackt mit	In confezione da	Paquete de	i sats; paket
PTO	Power Take Off	Prise De Force	Zapfwelle	Presa Di Forza	Toma De Fuerza	Kraftuttag
RATIO	Ratio	Rapport	Übersetzungs-verhältnis	Rapporto	Indice	Förhållande
REAR	Rear	Arrière	Hinten	Posteriore	Trasero	Bak; bakre
REMAN	Remanufactured	Echange Standard	Generalveberholt	Refatto	Refabricador por	Renoverad
REPL	Replaces	Remplace	Ersetzt	Sostituisce	Sustituye	Ersätter
RH, RIGHT	Right-hand	Droit	Rechts	Destra	Derecha	Höger
SN	Serial number	Numéro de série	Seriennummer	Numero di serie	Nº de serie	Seriennummer
STD	Standard	Standard	Standard	Standard	Normal	Standard
SUB COMPONENTS	Substitute components (of the kit or assy)	Substituer les composants (du kit ou de l'ensemble)	Komponenten ersetzen (des Kits oder der Baugruppe)	Sostituire i componenti (del kito del gruppo)	Sustituir los componentes	Ersätta komponenterna (i satsen eller monteringen)
TEETH, Z	Number of gear teeth	Nombre de dents d'engrenages	Zahl der Zahnradzähne	Numero di denti dell'ingranaggio	Nº de dientes de engranaje	Antal redskapständer
TK	Thickness	Épaisseur	Stärke	Spessore	Espesor	Tjocklek
UP, UPPER	Upper	Supérieur	Oberer	Superiore	Superior	Övre
US	Undersize	Sous-dimension	Untergröße	Minorato	Subtamaño	Underdimension
USE WITH	Use with	À utiliser avec	Verwenden mit	Usare con	Usar con	Använd med
VEC	Vehicle Electronic Controller	Controlleur Électronique Du Vehicule	Elektronisches Steuergeraet Des Fahrzeugs	Unità Di Comando Elettronica Del Veicolo	Undad de Control Electronico del Vehiculo	Elektronisk Fordonsstyrenhet
VOLT, V	Volt, V	volt	Volt	volt	voltio	spänning
W/	With	Avec	Mit	Con	Con	Med; inklusive
W/O	Without	Sans	Ohne	Senza	Sin	Utan; exklusive
WATT, W	Watt, W	watt	Watt	watt	watio	watt
W/ SEALANT	With Pre-Applied Sealant	Avec produit d'entancheite preapplique	Mit Vor-Angewendetem Dichtungsmittel	Con Sigillante Pre-Applicato	Con pasta selladora aplicada previamente	Med pre-praktisk sätta sigill pa

LVP7422