

# Service Parts

Engine

Engine Models:

**John Deere 4024TF281**  
**4024HF285**  
**4045HF275/285**  
**4045TF270/280**  
**5030HF285**

Generator Models:

20-60REOZJC  
50/60REOZJB  
50/60REOZJD  
50REOZJE  
80/100REOZJC/D/E/F  
125REOZJF/G

TP-6290 3/14g

# Table of Contents

Subject	Page
Introduction	3
Numbering System Significance	3
Illustrations	3
How to Find Part Numbers	3
Hardware References	3
Model Number Index, Engine Model 4024/5030	4
Model Number Index, Engine Model 4045	6
Group 1: Air Intake	10
Group 2: Water Pump	13
Group 3: Water Pump Pulley	14
Group 4: Water Pump Inlet	14
Group 5: Thermostat	15
Group 6: Fan Belt	17
Group 7: Fan Drive	18
Group 8: Fan Pulley	20
Group 9: Belt Tensioner	21
Group 10: Vent Tube	22
Group 11: Camshaft	23
Group 12: Valve Train	24
Group 13: Rocker Arm Cover	26
Group 14: Fuel Injection Pump	30
Group 15: Fuel Lines	39
Group 16: Fuel Pump	41
Group 17: Fuel Filter	42
Group 17B: Primary Fuel Filter	49
Group 18: Crankshaft	50
Group 19: Crankshaft Pulley	51
Group 20: Piston and Connecting Rod	53
Group 21: Flywheel	55
Group 22: Flywheel Housing	56
Group 23: Cylinder Head	58
Group 24: Exhaust Manifold	62
Group 25: Exhaust Elbow	63
Group 26: Oil Filter	63
Group 27: Dipstick	65
Group 28: Oil Pan	66
Group 29: Oil Cooler	68
Group 30: Oil Pump	70
Group 31: Cylinder Block	71
Group 32: Front Plate	74
Group 33: Timing Gear Cover	77
Group 34: Turbocharger and Oil Lines	82
Group 35: Starter Motor	85
Group 36: Alternator	87
Group 37: Alternator Mounting	89
Group 38: Short Block	93
Group 39: Cylinder Head Gasket Set	94
Group 40: Overhaul Gasket Set	95
Group 41: Engine Sensors	98
Group 42: Wiring Harness	101
Group 43: Engine Balancer Shafts	102
Group 44: Starting Aid (Glow Plugs)	103
Group 45: Auxiliary Drive Cover	104
Group 46: Oil Filler Neck	105
Appendix A Common Hardware Identification	106
Appendix B Common Hardware List	107

# Introduction

This manual lists service replacement parts for John Deere engines listed on the front cover.

At the time of print this manual applied to the engine models listed in the Specification Number Index. On occasion this manual may apply to engines not listed in the Specification Number Index.

Information in this publication represents data available at the time of print. The generator set manufacturer reserves the right to change this publication and the products represented without notice and without any obligation or liability whatsoever.

This manual includes the following main sections:

**Table of Contents.** Lists the sections of the manual.

**Introduction (and other information sections).** Contains introductory material about part numbers, illustrations, and hardware.

**Index.** Lists the engine models and groups.

**Group Parts Lists.** List the part numbers of parts in the groups.

## Numbering System Significance

This manual uses the following numbering systems:

**Engine Model.** The product identification number located on the engine nameplate. Engines break down into groups.

**Group Number.** A unique number representing a parts group needed to assemble an engine function. For example, Group 1 is the Air Intake group.

**Variation Number.** A group might have several variations. Each variation performs the same function with different parts lists. For example, a 12-volt alternator and 24-volt alternator both perform the same function, but, with different parts. Each difference requires a group variation or module number.

**Part Number.** The part number identifies an individual assembly, subassembly, component, or accessory kit.

## Illustrations

Illustrations (or exploded-view drawings) best representing the widest range of variations accompany most groups in this manual. Illustrations do not depict all details and may not show all parts. Do not use illustrations for assembly or disassembly.

## How to Find Part Numbers

Use the following steps to locate a service replacement part.

1. Locate the engine nameplate to **identify the engine model number**.
2. **Turn to the Specification Number Index.** The first column lists the engine model numbers. The headings identify the groups of parts that make up the engine.
3. **Identify the group** most likely to include the service part number.
4. **Find the group variation number** at the intersection of the model row and the group column. Note the variation number. If 2 or more variation numbers are listed, note all variation numbers.
5. **Page forward to locate the group** identified in step 3 or find the appropriate page in the Table of Contents.
6. **Find the part on the illustration** and note the item number of the part or **find the part description in the parts list**.
7. Select **the part number that corresponds to your group variation**. The first column lists the illustration item number. Find the variation(s) identified in the Specification Number Index in the appropriate column on the right side of the parts list table. Find the quantity used at the intersection of the item number row and the variation column. A blank space at the intersection means the variation/module does not use that part number.

## Hardware References

Many common hardware items do not appear in parts manuals or will appear as common hardware entries. A common hardware entry lists the size of the hardware. For example, an item that appears as "Hardware, 3/8-16" in the text means that the piece is 3/8-16 size. Obtain common hardware locally.

Some hardware items require a specific size or some other characteristic. In that case, use the part number listed in the text.

**When replacing hardware, do not substitute inferior grade hardware.** Replacement hardware grade should be equal to or better than the grade of the manufacturer's original hardware.

# Model Number Index, Engine Model 4024/5030

Group Title	Air Intake	Water Pump	Water Pump Pulley	Water Pump Inlet	Thermostat	Fan Belt	Fan Drive	Fan Pulley	Belt Tensioner	Vent Tube	Camshaft	Valve Train	Rocker Arm Cover	Fuel Injection System
Group No.	1	2	3	4	5	6	7	8	9	10	11	12	13	14
<b>Variation Number</b>														
<b>20/30REOZJC (Specification Numbers GM57153-GAxx)</b>														
4024TF281	1703	2001	—	—	2201	2406	2301B	8603	8701	2999	4604	4907	1101B	1632
<b>20/30REOZJC (Specification Numbers GM73381-GAxx)</b>														
4024TF281	1703	2001	—	—	2201	2413	2304	8604	8701	2999	4604	4907	1101B	1632
<b>40/50REOZJC (Specification Numbers GM57153-GAxx)</b>														
4024HF285	—	2001	—	—	2201	2435	2309	8603	8701	2999	4618	4907	1109	1662
<b>40/50REOZJC (Specification Numbers GM73381-GAxx)/50REOZJD</b>														
4024HF285	—	2001	—	—	2201	2439	2311	8605	8701	2999	4618	4907	1109	1662
<b>60REOZJC (Specification Numbers GM57153-GAxx)</b>														
5030HF285	—	2001	—	—	2201	2439	2309	8603	8701	2999	4619	4908	1113	1646
<b>60REOZJC (Specification Numbers GM73381-GAxx)/60REOZJD</b>														
5030HF285	—	2001	—	—	2201	2439* or 2441*	2311	8605* or 8606*	8701	2999	4619	4908	1113	1646

\* 5030HF285 engines (GM73389-) changed to a smaller pulley. Verify pulley diameter before ordering.

Group Title	Fuel Lines	Fuel Pump	Fuel Filter	Primary Fuel Filter	Crankshaft	Crankshaft Pulley	Piston & Connecting Rod	Flywheel	Flywheel Housing	Cylinder Head	Exhaust Manifold	Exhaust Elbow	Oil Filter	Dipstick
Group No.	15	16	17	17B	18	19	20	21	22	23	24	25	26	27
<b>Variation Number</b>														
<b>20/30REOZJC</b>														
4024TF281	—	3701	3505	—	4701	1301	4806	1508	1415‡	5101	2806	—	8801	4003
<b>40/50REOZJC (Specification Numbers GM57153-GAxx)</b>														
4024HF285	—	3712*	3540*	—	4703	1301	4814	1508	1401*	5105	2806	—	8801	4003
<b>40/50REOZJC (Specification Numbers GM73381-GAxx)/50REOZJD</b>														
4024HF285	—	3712	3540	—	4703	1303	4814	1508	1401	5105	2806	—	8801	4003
<b>60REOZJC/60REOZJD</b>														
5030HF285 (4P)	—	3712†	3543†	—	4704	1303	4815	1508	1401	5106	2807	—	8801	4003
5030HF285 (4V)	—	3712†	3543†	—	4704	1303	4815	1508	1406B	5106	2807	—	8801	4003

\* 4024HF285 engines with serial number PE4024L003825 and before used Fuel Pump variation code 3709, Fuel Filter variation code 3535, and Flywheel Housing variation code 1415. Check the engine nameplate to verify the variation code.

† 5030HF285 engines with serial number PE5030L003800 and before used Fuel Pump variation code 3709 and Fuel Filter variation code 3538. Check the engine nameplate to verify the variation code.

‡ 4024TF281 engines with serial number PE4024R001060 through PE4024R001475 inclusive used Flywheel Housing variation code 1408 and Sensor variation code 6702. Check the engine nameplate to verify the variation code.

**Thanks very much for your reading,  
Want to get more information,  
Please click here, Then get the complete  
manual**

**JustClickHere** 

**NOTE:**

**If there is no response to click on the link above,  
please download the PDF document first, and then  
click on it.**

**Have any questions please write to me:  
[admin@servicemanualperfect.com](mailto:admin@servicemanualperfect.com)**

# Model Number Index, Engine Model 4024/5030

Group Title	<i>Oil Pan</i>	<i>Oil Cooler</i>	<i>Oil Pump</i>	<i>Cylinder Block</i>	<i>Front Plate</i>	<i>Timing Gear Cover</i>	<i>Turbocharger &amp; Oil Lines</i>	<i>Starter Motor</i>	<i>Alternator</i>	<i>Alternator Brackets</i>
Group No.	28	29	30	31	32	33	34	35	36	37
<b>Variation Number</b>										
<b>20/30REOZJC</b>										
4024TF281	1924	5903	5001	4604	—	4401	6526	3002	3102	6202
<b>40/50REOZJC/50REOZJD</b>										
4024HF285	1924	5903	5001	4618	—	4402	6571	3002	3102	6202
<b>60REOZJC/60REOZJD</b>										
5030HF285 (4P)	1902	5903	5001	4619	—	4402	6567	3002	3102	6202
5030HF285 (4V)	1902	5903	5001	4619	—	4402	6567	3002	3102	6202

Group Title	<i>Short Block</i>	<i>Cylinder Head Gasket Set</i>	<i>Overhaul Gasket Set</i>	<i>Engine Sensors</i>	<i>Wiring Harness</i>	<i>Engine Balancer Shafts</i>	<i>Starting Aid (Glow Plugs)</i>
Group No.	38	39	40	41	42	43	44
<b>Variation Number</b>							
<b>20/30REOZJC</b>							
4024TF281	3	—	3	6712‡	—	—	4301
<b>40/50REOZJC/50REOZJD</b>							
4024HF285	—	—	2	6711	—	—	4315
<b>60REOZJC/60REOZJD</b>							
5030HF285 (4P)	—	—	2	6711	—	—	4316
5030HF285 (4V)	—	—	2	6711	—	—	4316

‡ 4024TF281 engines with serial number PE4024R001060 through PE4024R001475 inclusive used Flywheel Housing variation code 1408 and Sensor variation code 6702. Check the engine nameplate to verify the variation code.

# Model Number Index, Engine Model 4045

Group Title														
	<i>Air Intake</i>	<i>Water Pump</i>	<i>Water Pump Pulley</i>	<i>Water Pump Inlet</i>	<i>Thermostat</i>	<i>Fan Belt</i>	<i>Fan Drive</i>	<i>Fan Pulley</i>	<i>Belt Tensioner</i>	<i>Vent Tube</i>	<i>Camshaft</i>	<i>Valve Train</i>	<i>Rocker Arm Cover</i>	<i>Fuel Injection System</i>
Group No.	1	2	3	4	5	6	7	8	9	10	11	12	13	14
Variation Number														
<b>50/60 kW (50/60REOZJB)</b>														
4045TF270, 12V	1701	4429A	2002A	5722	2112	240B	2314	8605	8711	2915	4616	4901	1101	164X
4045TF270, 24V	1701	4429A	2002A	5722	2112	240B	2314	8605	8711	2915	4616	4901	1101	164Y
<b>50kW (50REOZJE)</b>														
4045TF280, 12V*	17CT	4428	2002B	5722	2124	24HE	2314	8605	8701B	2915	4651	4901B	1101	16F8
4045TF280, 12V**	17CT	4428	2002B	5722	2124	24HE	2314	8605	8701B	2904	4651	4901B	1103	16F8
<b>100 kW (100REOZJC)</b>														
4045HF275, 12V	1783	4429B	2002A	5722	2102	2409	2301	8604	8702	2915	4614	4901	1101	163W
4045HF275, 24V	1783	4429B	2002A	5722	2102	2409	2301	8604	8702	2915	4614	4901	1101	163Y
<b>80/100 kW Tier 3 (80/100REOZJD)</b>														
4045HF285, 12V	1783	4446	2002B	5722	2156	24HA	2342	8605	8727	2997	4643	4901	1162	16A5
4045HF285, 24V	1783	4446	2002B	5722	2156	24HA	2342	8605	8727	2997	4643	4901	1162	16A5
<b>80/100 kW Tier 3 (80/100REOZJE/REOZJF)</b>														
4045HF285, 12V	1783	4446	2002B	5722	2156	24GY	2342	8604	8727	2997	4643	4901	1162	16A5
4045HF285, 24V	1783	4446	2002B	5722	2156	24GY	2342	8604	8727	2997	4643	4901	1162	16A5
<b>125 kW Tier 3 (125REOZJF/REOZJG)</b>														
4045HF285, 12V	1783	4433	2002B	5722	2156	24GG	2341	8610	8724	2997	4659	4901	1162	16A5
4045HF285, 24V	1783	4433	2002B	5722	2156	24GG	2341	8610	8724	2997	4659	4901	1162	16A5

\* 4045TF280, 12V Right Side Service (engine number GM90762-1)

\*\* 4045TF280, 12V Left Side Service (engine number GM90762-2)

# Model Number Index, Engine Model 4045

Group Title	Variation Number													
	Fuel Lines	Fuel Pump	Fuel Filter	Primary Fuel Filter	Crankshaft	Crankshaft Pulley	Piston & Connecting Rod	Flywheel	Flywheel Housing	Cylinder Head	Exhaust Manifold	Exhaust Elbow	Oil Filter	Dipstick
Group No.	15	16	17	17B	18	19	20	21	22	23	24	25	26	27
<b>50/60 kW (50/60REOZJB)</b>														
4045TF270, 12V	—	3702	3563	—	4715	1328	4823	1509	1406	5102	2803	6401	8842	4002
4045TF270, 24V	—	3702	3563	—	4715	1328	4823	1509	1406	5102	2803	6401	8842	4002
<b>50kW (50REOZJE)</b>														
4045TF280, 12V*	—	3702	35EU	—	4715	1328	4843	1509	1406	5127	2802	—	8842	4002
4045TF280, 12V**	—	3702	35EV	—	4715	1328	4843	1509	1404	5127	2802	—	8854	4014
<b>80kW (80REOZJC)</b>														
4045HF275, 12V	6313	3702	35BV	—	4715	1327	4822	1503	1406	5102	2803	6401	8842	4002
4045HF275, 24V	6313	3702	35BV	—	4715	1327	4822	1503	1406	5102	2803	6401	8842	4002
<b>100 kW (100REOZJC)</b>														
4045HF275, 12V	6366	3702	35BV	—	4715	1327	4822	1503	1406	5102	2803	6401	8842	4002
4045HF275, 24V	6366	3702	35BV	—	4715	1327	4822	1503	1406	5102	2803	6401	8842	4002
<b>80/100 kW Tier 3 (80/100REOZJD)</b>														
4045HF285, 12V	6386	3713	35ED	8170	4715	1328	4838	1503	1406	5122	2888	6438	8842	4002
4045HF285, 24V	6386	3713	35ED	8170	4715	1328	4838	1503	1406	5122	2888	6438	8842	4002
<b>80/100 kW Tier 3 (80/100REOZJE/REOZJF)</b>														
4045HF285, 12V	6386	3713	35ED	8170	4715	1328	4838	1503	1406	5122	2888	6499	8842	4002
4045HF285, 24V	6386	3713	35ED	8170	4715	1328	4838	1503	1406	5122	2888	6499	8842	4002
<b>125 kW Tier 3 (125REOZJF/REOZJG)</b>														
4045HF285, 12V	6386	3713	35ED	8170	4715	1328	4847	1503	1406	5130	2888	6499	8842	4002
4045HF285, 24V	6386	3713	35ED	8170	4715	1328	4847	1503	1406	5130	2888	6499	8842	4002

\* 4045TF280, 12V Right Side Service (engine number GM90762-1)

\*\* 4045TF280, 12V Left Side Service (engine number GM90762-2)



# Model Number Index, Engine Model 4045

Group Title	Oil Pan	Oil Cooler	Oil Pump	Cylinder Block	Front Plate	Timing Gear Cover	Turbocharger & Oil Lines	Starter Motor	Alternator	Alternator Brackets
Group No.	28	29	30	31	32	33	34	35	36	37
<b>Variation Number</b>										
<b>50/60 kW (50/60REOZJB)</b>										
4045TF270, 12V	1904	5901	5001	4616	3618	4429	65HE	3006	3122	6211
4045TF270, 24V	1904	5901	5001	4616	3618	4429	65HE	3041	3104	6212
<b>50kW (50REOZJE)</b>										
4045TF280, 12V*	19AE	—	5001	4651	3602	4428	65SN	3012	3109	6203
4045TF280, 12V**	19AE	—	5001	4651	3602	4428	65SN	3005	3109	6203
<b>80kW (80REOZJC)</b>										
4045HF275, 12V	1904	5901	5002	4616	3618	4429	65HE	3006	3138	6201
4045HF275, 24V	1904	5901	5002	4616	3618	4429	65HE	3041	3142	6201
<b>100 kW (100REOZJC)</b>										
4045HF275, 12V	1904	5901	5002	4614	3618	4429	65HE	3006	3138	6201
4045HF275, 24V	1904	5901	5002	4614	3618	4429	65HE	3041	3142	6201
<b>80/100 kW Tier 3 (80/100REOZJD)</b>										
4045HF285, 12V	19AE	5902	5001	4643	3612	4446	65RQ	3012	3138	6201
4045HF285, 24V	19AE	5902	5001	4643	3612	4446	65RQ	3041	3142	6201
<b>80/100 kW Tier 3 (80/100REOZJE/REOZJF)</b>										
4045HF285, 12V	19AE	5902	5001	4643	3612	4446	65RQ	3012	3138	6201
4045HF285, 24V	19AE	5902	5001	4643	3612	4446	65RQ	3041	3142	6201
<b>125 kW Tier 3 (125REOZJF/REOZJG)</b>										
4045HF285, 12V	19AE	5902	5001	4659	3612	4433	65RQ	3012	3138	6278
4045HF285, 24V	19AE	5902	5001	4659	3612	4433	65RQ	3041	3142	6278

\* 4045TF280, 12V Right Side Service (engine number GM90762-1)

\*\* 4045TF280, 12V Left Side Service (engine number GM90762-2)

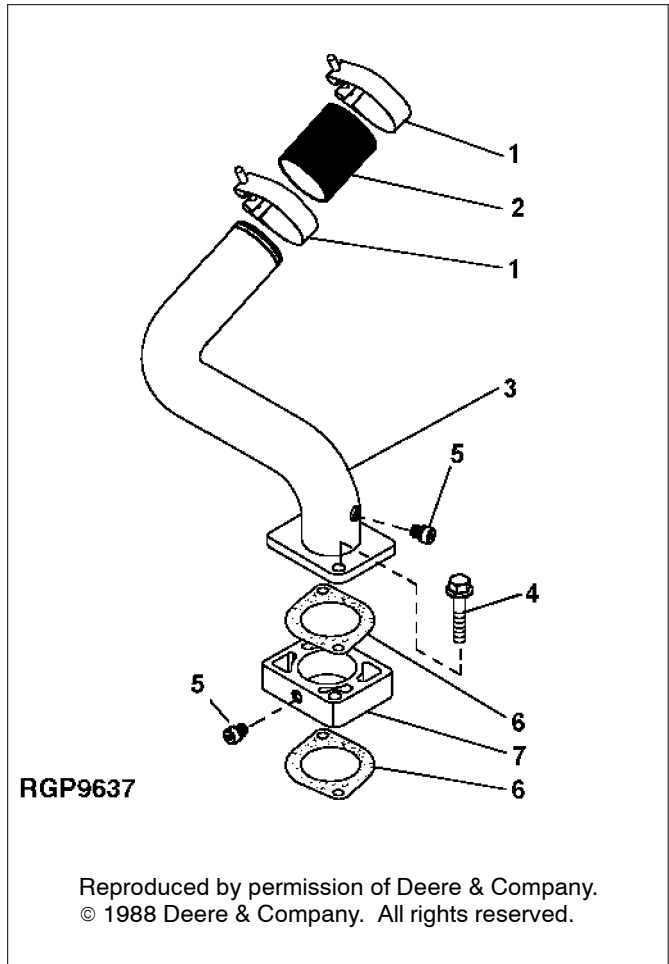
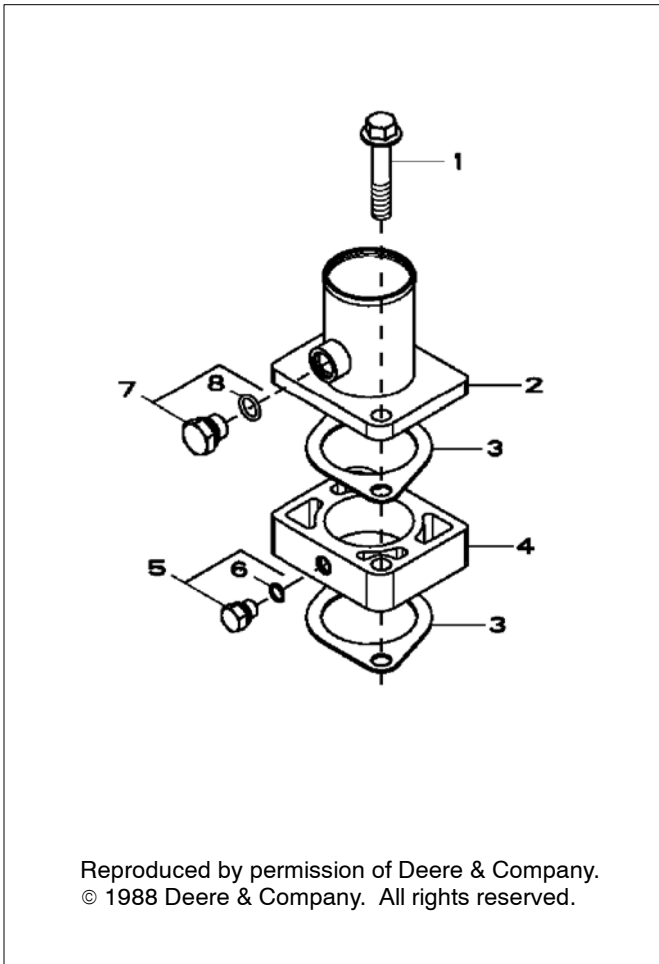
# Model Number Index, Engine Model 4045

Group Title	Variation Number							
	38	39	40	41	42	43	45	46
<i>Short Block</i>								
<i>Cylinder Head Gasket Set</i>								
<i>Overhaul Gasket Set</i>								
<i>Engine Sensors</i>								
<i>Wiring Harness</i>								
<i>Engine Balancer Shafts</i>								
<i>Aux. Drive Cover</i>								
<i>Oil Filler</i>								
<b>50/60 kW (50/60REOZJB)</b>								
4045TF270, 12V	1	1	1	—	—	—	—	—
4045TF270, 24V	1	1	1	—	—	—	—	—
<b>50kW (50REOZJE)</b>								
4045TF280, 12V*	6	3	5	—	—	—	5204	—
4045TF280, 12V**	6	3	5	—	—	—	5204	1210
<b>80kW (80REOZJC)</b>								
4045HF275, 12V	2	1	1	7635	8407	—	—	—
4045HF275, 24V	2	1	1	7635	8407	—	—	—
<b>100 kW (100REOZJC)</b>								
4045HF275, 12V	2	1	1	7635	8407	—	—	—
4045HF275, 24V	2	1	1	7635	8407	—	—	—
<b>80/100 kW Tier 3 (80/100REOZJD)</b>								
4045HF285, 12V	4	2	4	6730	8457	4501	—	—
4045HF285, 24V	4	2	4	6730	8457	4501	—	—
<b>80/100 kW Tier 3 (80/100REOZJE/REOZJF)</b>								
4045HF285, 12V	4	2	4	6730	8457	4501	—	—
4045HF285, 24V	4	2	4	6730	8457	4501	—	—
<b>125 kW Tier 3 (125REOZJF/REOZJG)</b>								
4045HF285, 12V	5	2	4	6730	8457	4501	—	—
4045HF285, 24V	5	2	4	6730	8457	4501	—	—

\* 4045TF280, 12V Right Side Service (engine number GM90762-1)

\*\* 4045TF280, 12V Left Side Service (engine number GM90762-2)

# Group 1: Air Intake

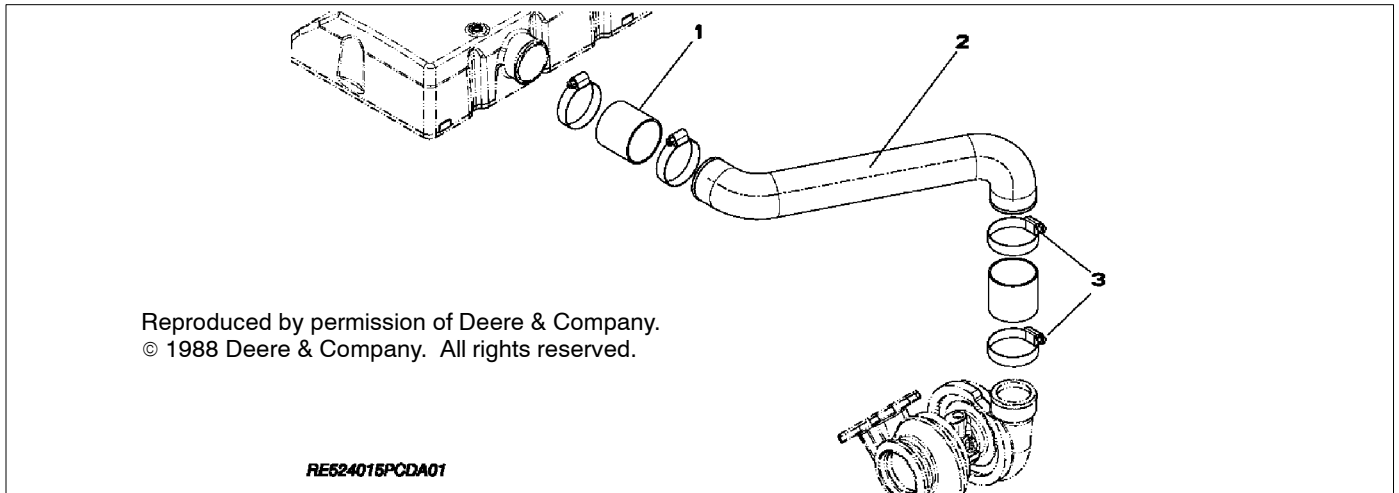


Item	Part Number	Description	Quantity
			Variation 1783
1	#	Screw	2
2	GM24517	Manifold, intake	1
3	223532	Gasket	1
4	GM17483	Spacer	1
5	GM24516	Fitting	1
6	#	O-ring, 8.1 x 1.6 mm	1
7	360013	Plug	1
8	GM21508	O-ring, 11.3 x 2.2 mm	1

Item	Part Number	Description	Quantity
			Variation 1701
1	GM18669	Clamp	2
2	GM32781	Hose	1
3	GM32826	Air intake	1
4	#	Screw, M10 x 50	2
5	GM24516	Fitting (includes O-ring)	2
6	223532	Gasket	2
7	GM17483	Spacer	1

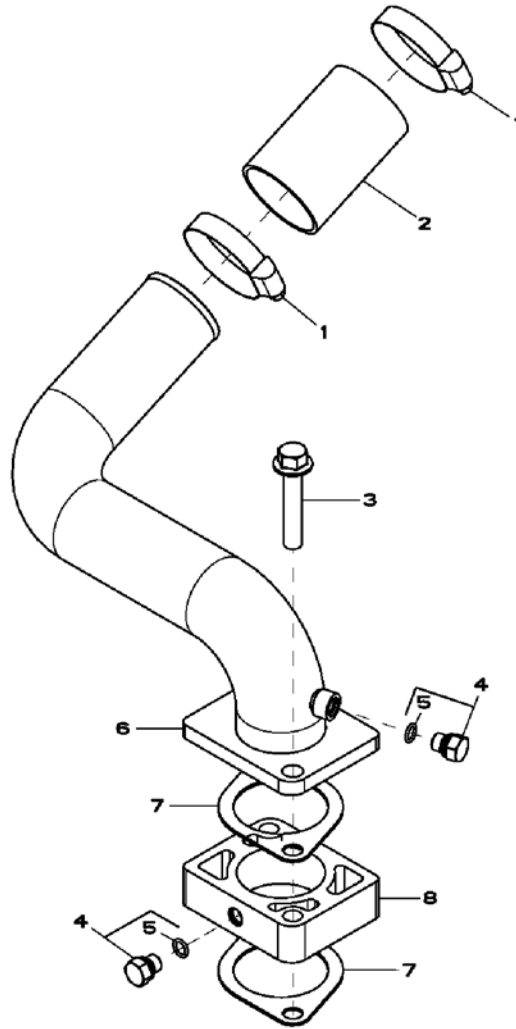
# Common hardware; procure locally.

## Group 1: Air Intake, continued



Item	Part Number	Description	Quantity
			Variation 1703
1	GM63756	Hose, 49 mm	2
2	GM63769	Tube	1
3	GM18882	Clamp	4

# Group 1: Air Intake, continued

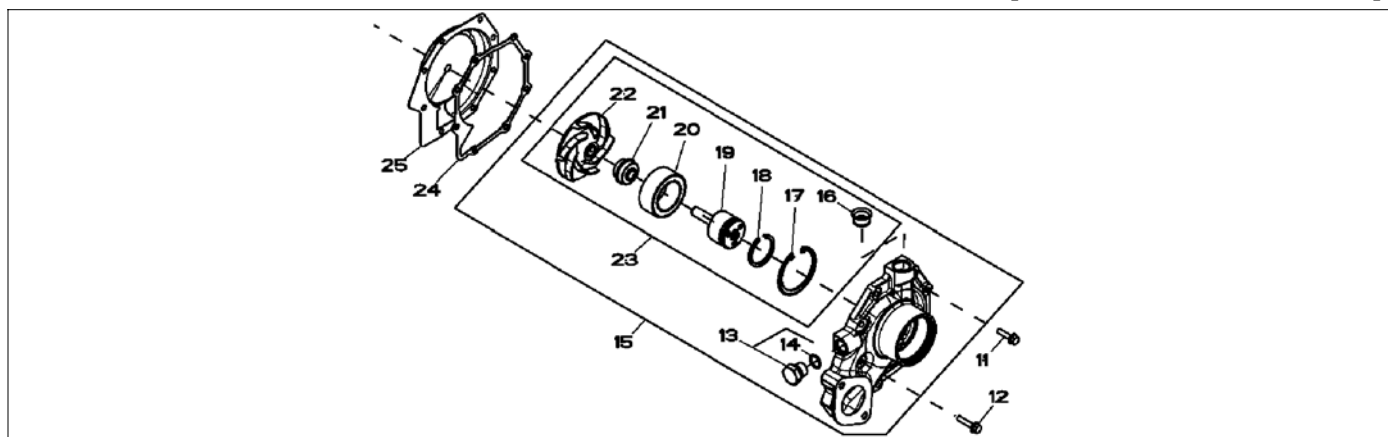


RE532572PCDB01

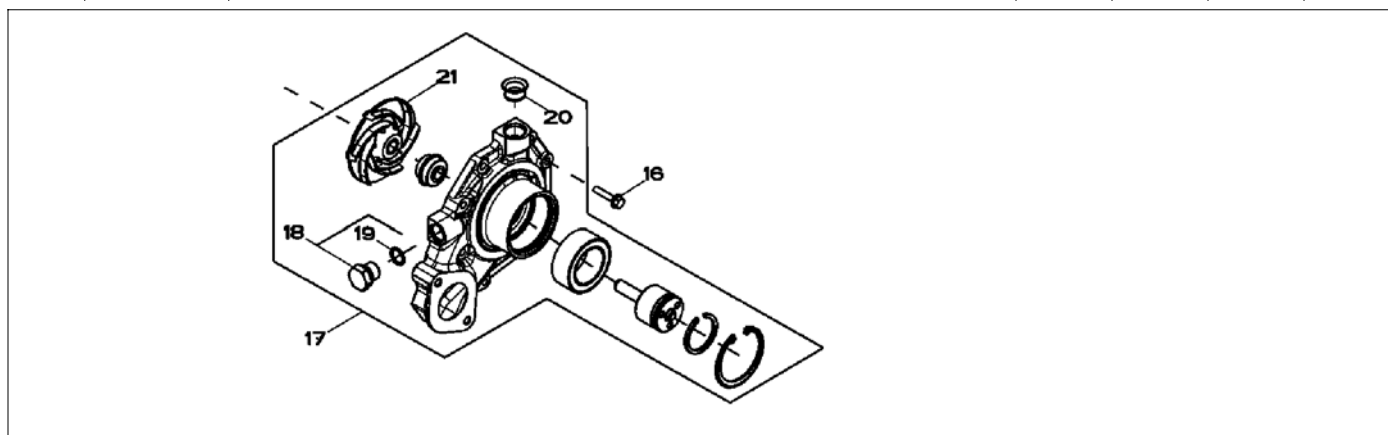
Reproduced by permission of Deere & Company.  
 © 1988 Deere & Company. All rights reserved.

Item	Part Number	Description	Quantity
			Variation 17CT
1	336706	Clamp, Hose	2
2	GM32781	Hose	1
3	#	Screw, M10 X 55	2
4	GM24516	Fitting	2
5	GM32896	O-ring	1
6	GM91807	Air Intake	1
7	223532	Gasket	2
8	GM17483	Spacer	1

## Group 2: Water Pump



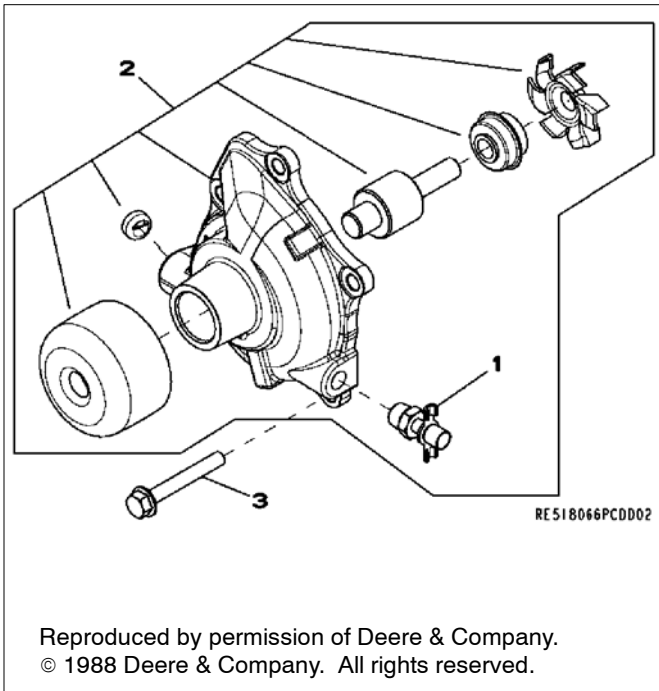
Item	Part Number	Description	Quantity			
			4429A	4429B	4433	4446
11	#	Screw, M6 x 25	5	5	5	5
12	#	Screw, M6 x 30	3	3	3	3
13	360014	Plug	2	1	1	1
14	360176	O-ring	1	1	1	1
15	GM29383	Pump, water	1			
15	GM29382	Pump, water (also order items 16 and 24)		1	1	1
16	360116	Gasket	1	1	1	1
17	X	Ring	1	1	1	1
18	360003	Ring, snap	1	1	1	1
19	X	Shaft	1	1	1	1
20	X	Ball bearing	1	1	1	1
21	X	Seal	1	1	1	1
22	X	Impeller	1	1	1	1
23	GM32829	Water pump kit (includes items 13, 14, 16-22, 25)	1			
23	GM17551	Water pump seal kit (includes items 13, 14, 16-22, 25)		1		
23	GM32944	Water pump kit (includes items 16-22)			1	1
24	360124	Gasket, water pump	1	1	1	1
25	GM17443	Filter (not shown)	2	2		



Item	Part Number	Description	Quantity
			Variation 4428
16	#	Screw, M6 X 30	8
17	GM29383	Pump, water	1
18	360014	Plug	1
19	360176	O-Ring	1
20	-	Impeller	1
21	360116	Gasket, water bypass tube	1

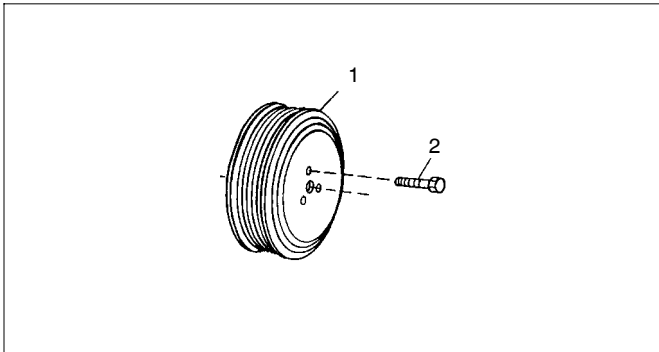
# Common hardware; procure locally.  
X Not sold separately.

## Group 2: Water Pump, continued



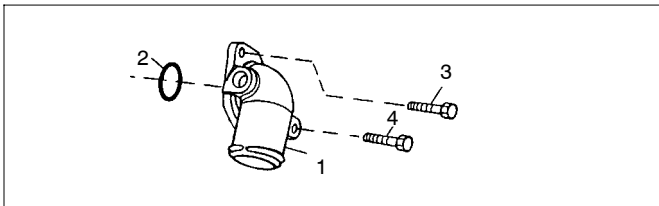
Item	Part Number	Description	Quantity	
			Variation 2001	
1	223435	Drain valve	1	
2	GM63808	Water pump	1	
3	GM63706	Screw, M8 x 60	5	
—	GM63859	Sealant	1	

## Group 3: Water Pump Pulley



Item	Part Number	Description	Quantity	
			Variation 2002A	Variation 2002B
1	360085	Pulley, water pump	1	
1	360559	Pulley		1
2	#	Screw, M6 x 12	3	3

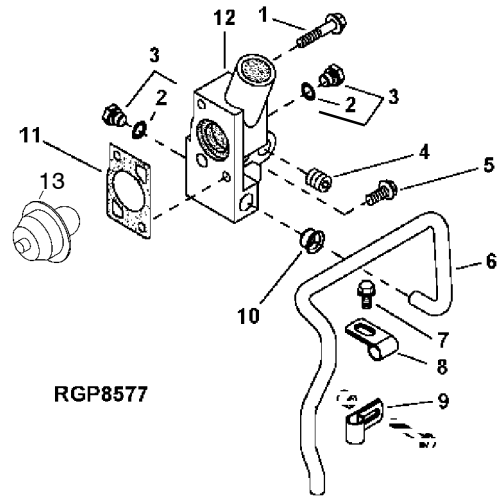
## Group 4: Water Pump Inlet



Item	Part Number	Description	Quantity	
			Variation 5722	
1	GM32792	Housing	1	
	360014	Plug (includes O-ring 360176)	1	
2	224172	O-ring	1	
3	#	Screw, M8 x 25	1	
4	#	Screw, M8 x 65	1	

# Common hardware; procure locally.

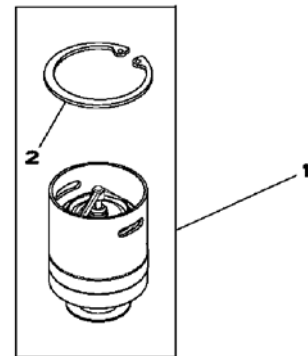
# Group 5: Thermostat



Reproduced by permission of Deere & Company.  
© 1988 Deere & Company. All rights reserved.

Item	Part Number	Description	Quantity		
			2102	2112	2156
1	#	Screw, M10 x 70	1	1	
1	#	Screw, M10 x 50			1
2	GM21508	O-ring	2	2	2
3	360013	Plug	2	2	2
4	GM15403	Plug, pipe	3	3	
5	#	Screw, M10 x 30	1	1	1
6	360142	Tube	1		
6	GM23839	Tube		1	
6	GM49898	Tube			1
7	#	Screw, M12 x 25	1	1	
8	360120	Clamp	1	1	
9	360121	Clamp	1	1	1
10	360116	Gasket, water bypass tube	1	1	1
11	360484	Gasket	1	1	1
12	GM32786	Cover, thermostat	1	1	
12	GM49827	Cover, thermostat			1
13	GM32812	Thermostat	1	1	1

# Common hardware; procure locally.



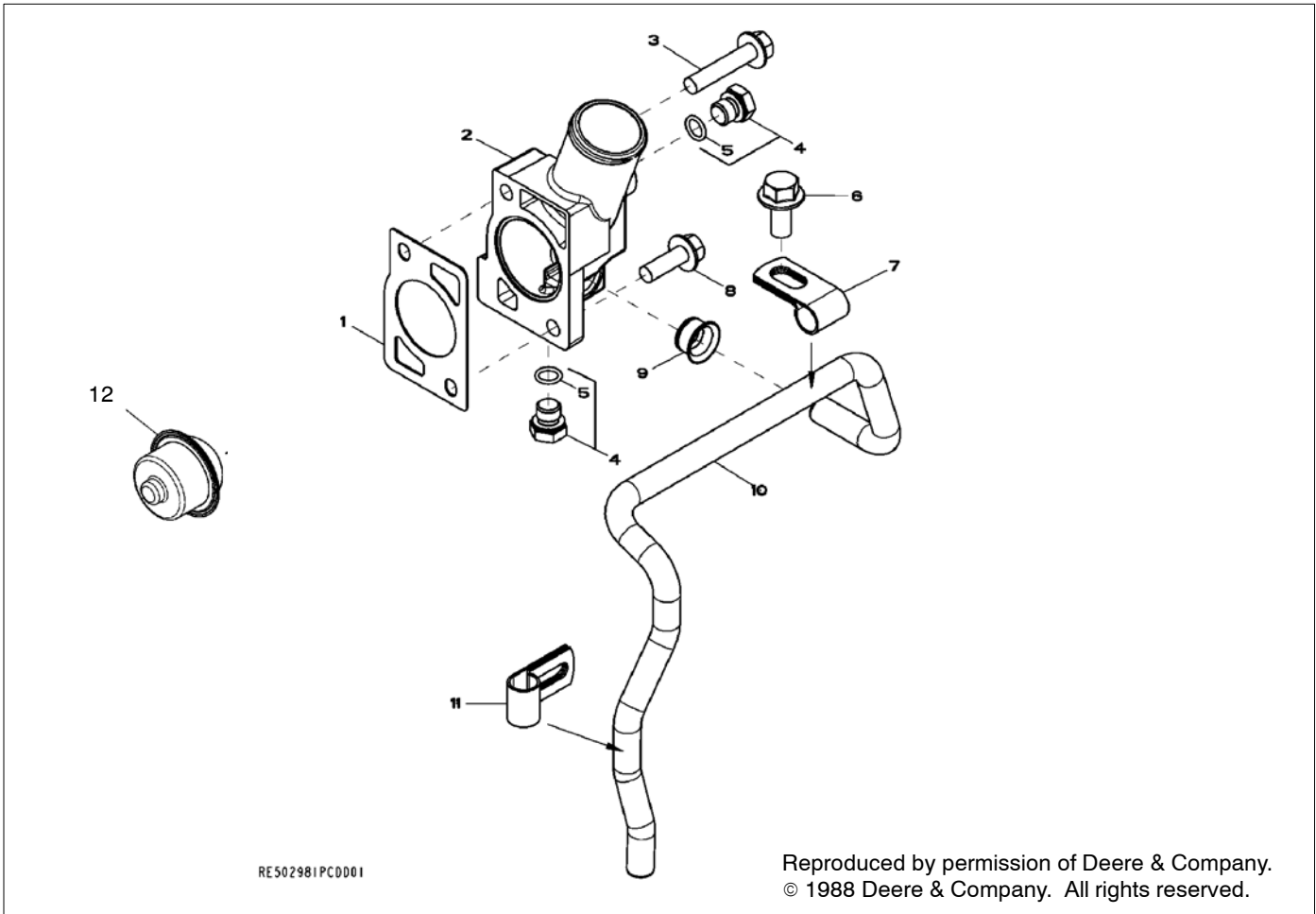
Reproduced by permission of Deere & Company.  
© 1988 Deere & Company. All rights reserved.

RE509124PCDG03

Item	Part Number	Description	Quantity
			Variation 2201
1	GM63866	Thermostat kit	1
2	GM63780	Snap ring	1

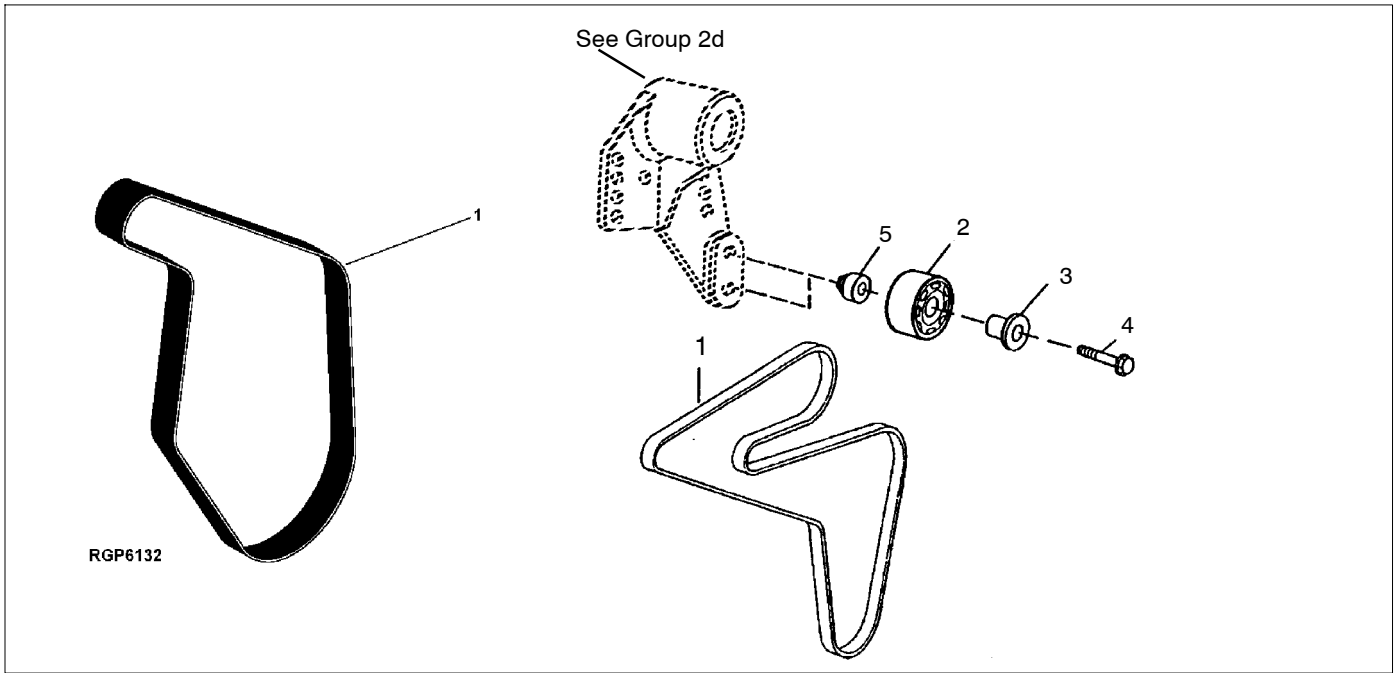


## Group 5: Thermostat, continued



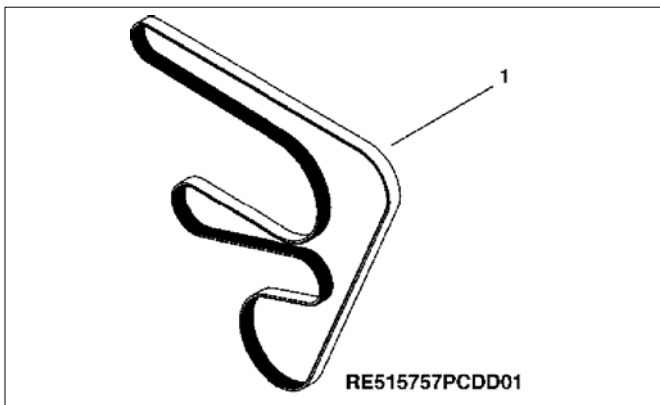
Item	Part Number	Description	Quantity
			Variation 2124
1	GM21406	Gasket	1
2	GM91808	Cover	1
3	#	Screw, M10 X 50	1
4	360013	Plug	3
5	GM21508	O-ring	1
6	#	Screw, M12 X 25	1
7	360120	Clamp	1
8	#	Screw, M10 x 30	1
9	360116	Gasket	1
10	GM91809	Tube	1
11	360121	CLamp	1
12	GM32812	Thermostat	1

# Group 6: Fan Belt



Item	Part Number	Description	Quantity Variation					
			2409	240B	24HA	24GG	24GY	24HE
1	GM23828	V-belt, 1575 mm (8 rib)	1					
1	GM28308	V-belt, 1515 mm (8 rib)		1				
1	GM52514	V-belt, 1550 mm			1			
1	352793	V-belt, 1700 mm				1		
1	GM77161	V-belt, 1545 mm					1	
1	GM91810	V-belt						1
2	GM17529	Pulley	1		1		1	1
3	GM17488	Sleeve	1		1		1	1
4	#	Screw, M10 x 65	1		1		1	1
5	GM23835	Spacer	1		1		1	1

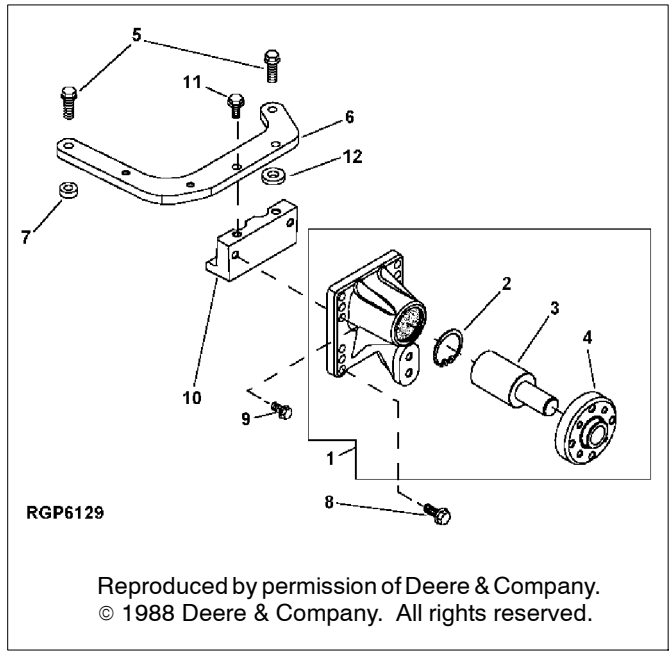
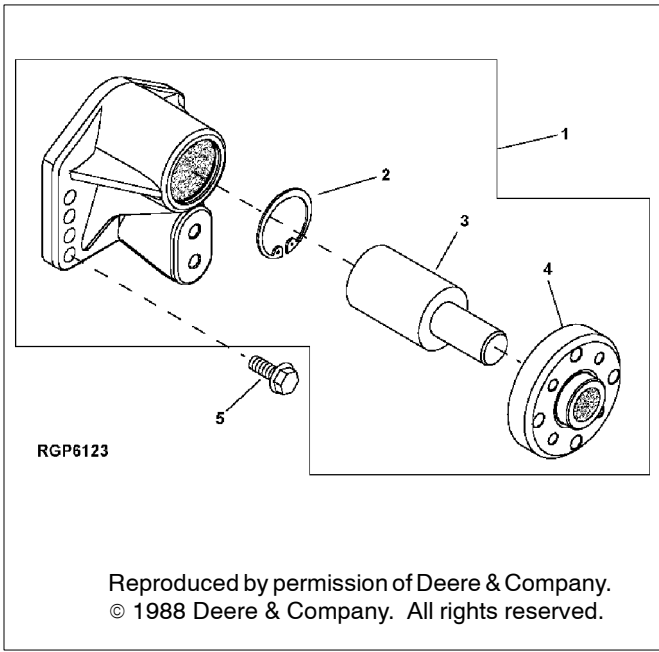
# Common hardware; procure locally.



Item	Part Number	Description	Quantity Variation					
			2406	2413	2415	2435	2439*	2441*
1	GM63750	V-belt	1					
1	GM77162	V-belt		1				
1	GM63761	V-belt			1			
1	GM71811	V-belt				1		
1	GM74072	V-belt*					1	
1	GM87022	V-belt*						1

\* 5030HF285 engines (GM73389-) changed to a smaller pulley. Verify pulley diameter before ordering pulley or belt.  
See Group 8 for pulley dimensions.

# Group 7: Fan Drive

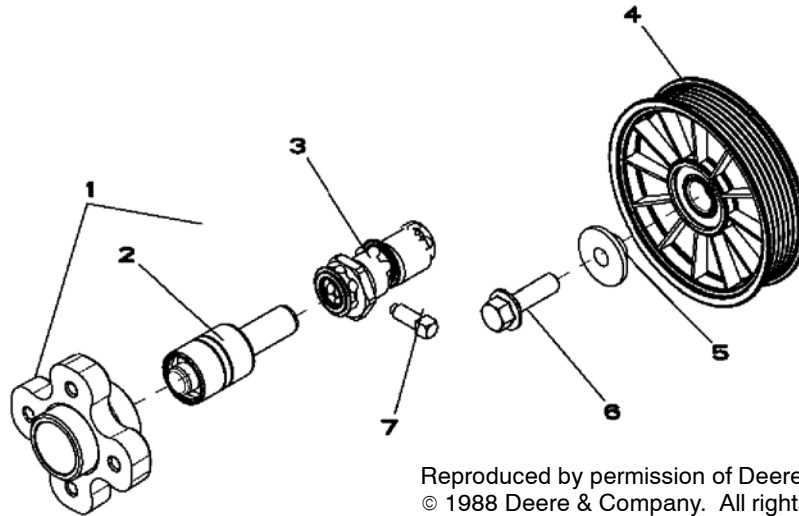


Item	Part Number	Description	Quantity	
			Variation	2301
1	360030	Housing, bearing w/ bearing		1
2	360005	Ring, snap		1
3	X	Bearing (order item 1)		1
4	X	Hub (order item 1)		1
5	#	Screw, M10 x 35		4

Item	Part Number	Description	Quantity		
			Variation	2314	2341
1	GM23844	Support	1	1	1
2	223730	Ring, snap	1	1	1
3	X	Shaft	1	1	1
4	X	Hub	1	1	1
5	#	Screw, M12 x 35	2		
6	GM23831	Bracket	1		
6	GM46599	Bracket		1	
7	GM23826	Washer	1		
8	#	Screw, M10 x 35	4		
8	#	Screw, M10 x 30		4	4
9	#	Screw, M10 x 20	2		
10	GM23830	Spacer	1		
11	#	Screw, M10 x 30	2		
11	#	Screw, M10 x 25		2	
12	GM23855	Washer	1		

# Common hardware; procure locally.  
X Not sold separately.

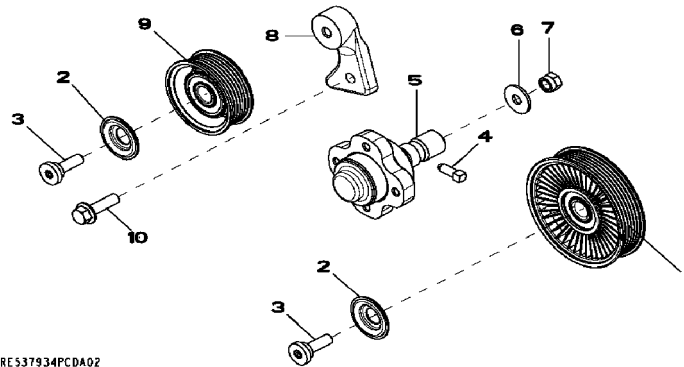
## Group 7: Fan Drive, continued



Reproduced by permission of Deere & Company.  
© 1988 Deere & Company. All rights reserved.

RE 509685PCD601

Item	Part Number	Description	Quantity	
			Variation	
			2301B	2304
1	GM63804	Hub	1	
1	GM71634	Hub		1
2	GM63766	Ball bearing	1	
2	-	Ball bearing		1
3	GM63758	Tube nut	1	
3	-	Tube nut		1
4	GM63867	Idler	1	1
5	GM63730	Sleeve	1	1
6	GM63708	Screw	1	1
6	GM63708	Screw, M10 x 35	1	1
7	GM71633	Set screw	1	1



See Group 29 for idler pulley bracket

RE 537934PCDA02

4024HF285

Item	Part Number	Description	Quantity	
			Variation	
			2309	2311
1	GM63867	Idler	1	1
2	GM63730	Dust shield	2	2
3	GM74075	Socket head screw	2	2
4	GM71633	Set screw	1	1
5	GM63804	Hub	1	
5	GM71634	Hub		1
6	GM71635	Washer		1
7	GM71636	Lock nut		1
7	GM63758	Tube nut	1	
8	GM74076	Bracket	1	1
9	GM74077	Idler	1	1
10	GM74078	Screw	1	1