

Service Parts

Engine

Engine Models:

John Deere 3029DF

3029TF

3029TF270

Generator Models:

20ROZJB

20-40REOZJB

20DSJB

20-40DSEJB

TP-6141 12/03b

Table of Contents

Description	Page	Description	Page
Introduction	1	Group 11b: Starter Motor Components	22
Number Significance	1	Group 12a: Exhaust Manifold	23
How to Find Part Numbers	1	Group 13a: Flywheel	24
Specification Number Index	2	Group 13b: Flywheel Housing	24
Group 1: Air Intake	5	Group 14: Fuel Pump	25
Group 2a: Water Pump	6	Group 15: Fuel Filter	26
Group 2b: Thermostat	7	Group 18: Timing Gear Cover	28
Group 2c: Fan Belt	7	Group 21a: Oil Pan	29
Group 3: Vent Tube	8	Group 21b: Oil Fill Tube	30
Group 4a: Camshaft	9	Group 21c: Oil Cooler	31
Group 4b: Valve Train	10	Group 22a: Piston	32
Group 4c: Rocker Arm Cover	11	Group 22b: Connecting Rod	32
Group 5a: Fuel Injection System	12	Group 25: Oil Pump	33
Group 5b: Fuel Injection Nozzle	14	Group 26: Front Plate	34
Group 7: Cylinder Block	16	Group 39a: Cylinder Head Gasket Set	35
Group 8a: Crankshaft	18	Group 39b: Overhaul Gasket Set	35
Group 8b: Crankshaft Pulley	19	Group 42: Short Block	36
Group 9a: Cylinder Head and Valves	20	Group 50: Turbocharger & Oil Lines	37
Group 9b: Valves	20	Group 51a: Alternator	38
Group 10: Oil Filter & Dipstick	21	Group 51b: Alternator Brackets	39
Group 11a: Starter Motor	22	Group 51c: Alternator Components	40

**Thanks very much for your reading,
Want to get more information,
Please click here, Then get the complete
manual**

JustClickHere 

NOTE:

**If there is no response to click on the link above,
please download the PDF document first, and then
click on it.**

**Have any questions please write to me:
admin@servicemanualperfect.com**

Introduction

This manual contains a list of service replacement parts for John Deere diesel-fueled 3029 series engines. Refer to the Specification Number Index for generator models and specifications covered.

This manual includes the following main sections:

- *Table of Contents*: Lists the sections of this catalog.
- *Introduction (and other information sections)*: Contains introductory material followed by sections on specification numbers, part numbers, and hardware.
- *Index*: Indexes generator set specifications and their groups.
- *Group Parts Lists*: List part numbers of parts in the groups.

Number Significance

This catalog uses a variety of numbering systems. A description of these follows.

- *Group Number*: A group consists of parts needed to perform one or more related functions. For example, Group 1 is the Engine Air Intake group.

- *Variation Number*: A group might have several variations. Parts comprising each variation perform the same function, but parts lists vary. For example, a 50 Hz fuel injection pump and a 60 Hz fuel injection pump perform the same function. However, they are constructed of different parts. Each of these differences necessitates the assignment of a group variation number.

- *Part Number*: The part number identifies an individual assembly, subassembly, component, or accessory kit.

How to Find Part Numbers

Follow these steps to identify a part:

STEP 1: Turn to the Specification Number Index. The first column lists engine models grouped by generator set model. The headings across the top identify the groups of parts that make up the engine. The intersection of the engine model and the group numbers is the variation number corresponding to the components of that engine. Note the variation number.

STEP 2: Find the page number of the group in the Table of Contents and turn to that page or page forward until you find the group. Use the drawings and itemized text to locate the part and its part number.

Specification Number Index

Group Title	<i>Air Intake</i>	<i>Water Pump</i>	<i>Thermostat</i>	<i>Fan Belt</i>	<i>Vent Tube</i>	<i>Camshaft</i>	<i>Valve Train</i>	<i>Rocker Arm Cover</i>	<i>Fuel Injection Pump</i>	<i>Fuel Injection Nozzle</i>	<i>Cylinder Block</i>	<i>Crankshaft</i>	<i>Crankshaft Pulley</i>
Group No.	1	2a	2b	2c	3	4a	4b	4c	5a	5b	7	8a	8b
	Variation Number												

Engine Model													
3029DF, 60 Hz	1712	2020	2110	2401	2902	9914	9901	1105	1603	1603	9906	9919	1330
3029DF, 50 Hz	1712	2020	2110	2401	2902	9914	9901	1105	1641	1641	9906	9919	1330
3029TF, 60 Hz	1710A	2020	2110	2401	2902	9914	9901	1105	16TR	16TR	9906	9919	1330
3029TF, 50 Hz	1710A	2020	2110	2401	2902	9914	9901	1105	16TT	16TT	9906	9919	1330
3029TF270	1710B	2020	2110	2401	2902	4607	4903	1105	164H	164H	4607	4702	1330

Group Title	<i>Cylinder Head</i>	<i>Valves</i>	<i>Oil Filter & Dipstick</i>	<i>Starter Motor</i>	<i>Starter Motor Components</i>	<i>Exhaust Manifold</i>	<i>Flywheel</i>	<i>Flywheel Housing</i>	<i>Fuel Pump</i>	<i>Fuel Filter</i>	<i>Timing Gear Cover</i>	<i>Oil Pan</i>
Group No.	9a	9b	10	11a	11b	12a	13a	13b	14	15	18	21a
	Variation Number											

Engine Model													
3029DF, 60 Hz	9902	9903	4004	3008	3008	2802D	1501	1418	3710	1	4499	1901	
3029DF, 50 Hz	9902	9903	4004	3008	3008	2802D	1501	1418	3710	1	4499	1901	
3029TF, 60 Hz	9902	9903	4006	3008	3008	2802T	1501	1418	3710	1	4499	1901	
3029TF, 50 Hz	9902	9903	4006	3008	3008	2802T	1501	1418	3710	1	4499	1901	
3029TF270	5105	5105	5939	3008	3008	2802T	1501	1453	3710	35DD	4499	1901	

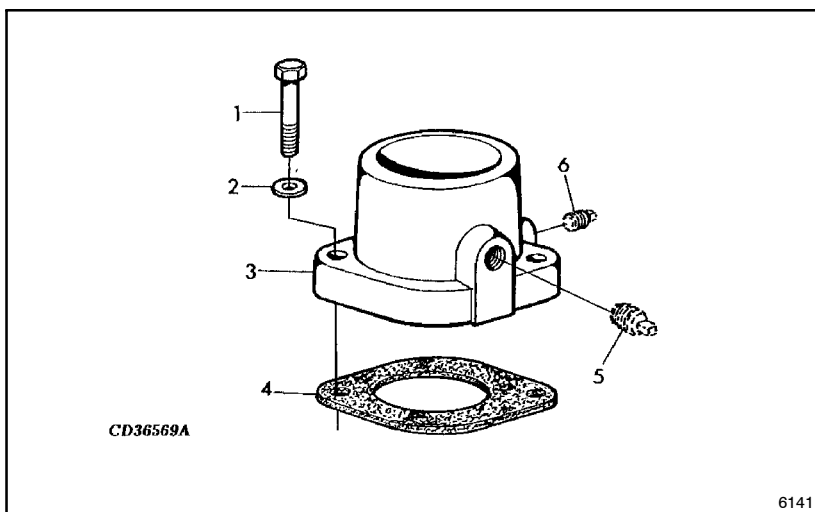
Specification Number Index

Group Title	<i>Oil Fill Tube</i>	<i>Oil Cooler</i>	<i>Piston</i>	<i>Connecting Rod</i>	<i>Oil Pump</i>	<i>Front Plate</i>	<i>Cylinder Head Gasket Set</i>	<i>Overhaul Gasket Set</i>	<i>Short Block</i>	<i>Turbocharger & Oil Lines</i>	<i>Alternator</i>	<i>Alternator Brackets</i>	<i>Alternator Components</i>
Group No.	21b	21c	22a	22b	25	26	39a	39b	42	50	51a	51b	51c
	Variation Number												

Engine Model													
3029DF, 60 Hz	1299	5906	9915	9916	9928	-	1	9932	9910	-	3123	6218	3123
3029DF, 50 Hz	1299	5906	9915	9916	9928	-	1	9932	9910	-	3123	6218	3123
3029TF, 60 Hz	1299	5906	9917	9918	9928	1	1	9932	9910	6547	3123	6218	3123
3029TF, 50 Hz	1299	5906	9917	9918	9928	-	1	9932	9910	65BS	3123	6218	3123
3029TF270	1299	5939	4814	4814	5001	3622	9706	9706	9702	6547	3123	6218	3123

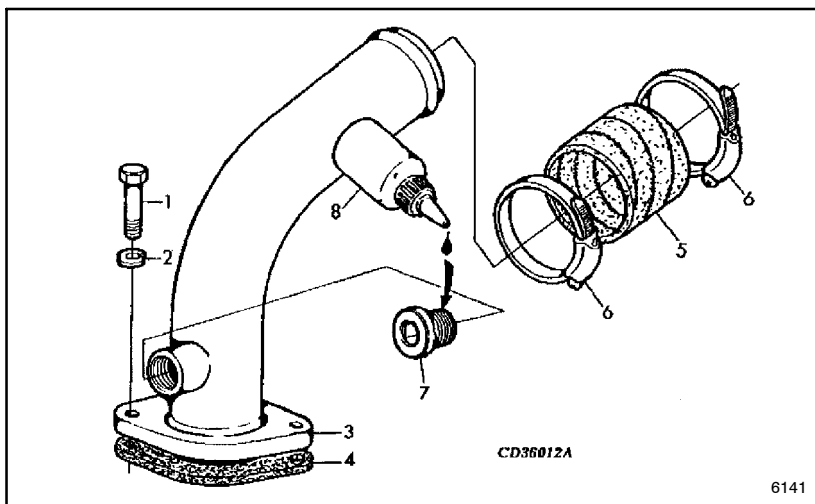
Notes

Group 1: Air Intake



Item	Part No.	Description	Qty.	
			Var.	1712
1	222765	Screw, cap		2
2	#	Washer, 10.500 x 18 x 1.600 mm		2
3	GM21398	Intake, air		1
4	223532	Gasket		1
5	Not used			1
6	Not used			1

Common hardware; procure locally.



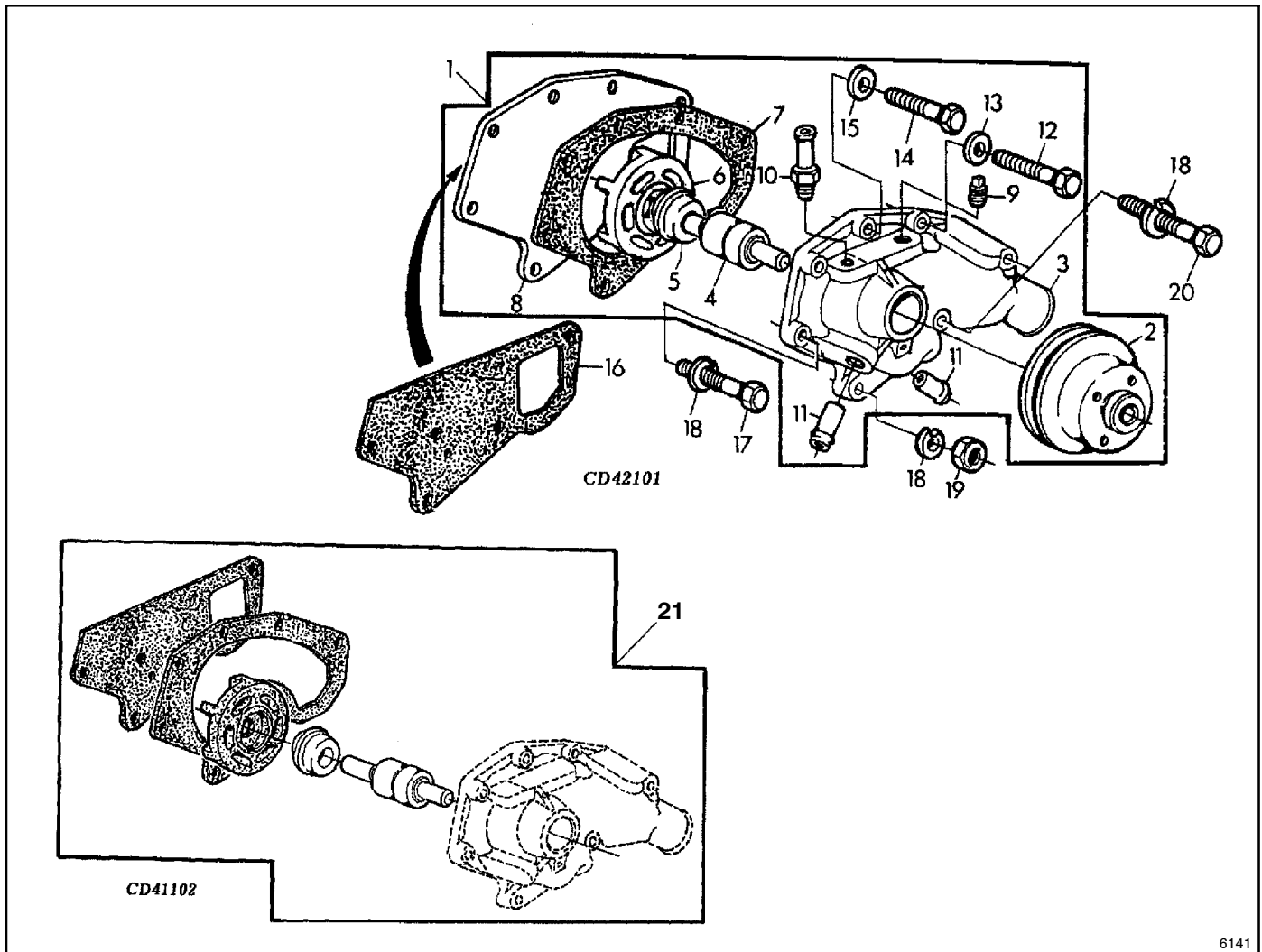
Item	Part No.	Description	Qty.	
			1710A	1710B
1	#	Screw, cap, 3/8 x 1 1/8 in. (SAE grade 8)	2	2
2	#	Washer, lock, 3/8 in.	2	2
3	GM21399	Tube (also order items 7 and 8)	1	
3	GM32721	Duct, air		1
4	223532	Gasket	1	1
5	GM21400	Hose	1	1
6	336706	Clamp, hose	2	2
7	360174	Fitting	1	1
8	#	Sealant, Loctite® 592	AR	

Common hardware; procure locally.

AR As Required

Loctite® is a registered trademark of Loctite Corporation.

Group 2a: Water Pump



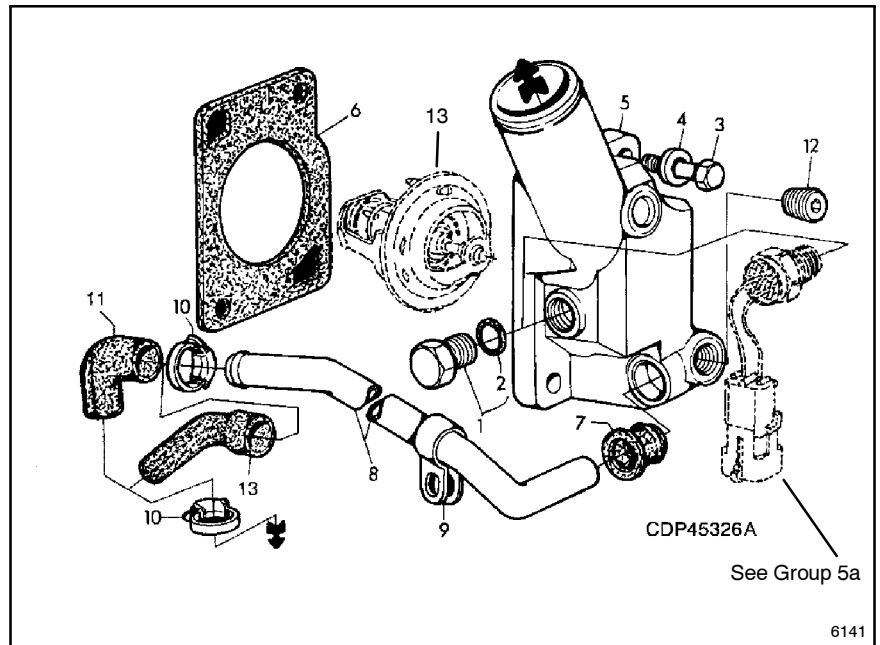
6141

Item	Part No.	Description	Qty.
			Var.
			2020
1	GM21401	Pump, water	1
2	223659	Pulley	1
3	X	Housing (order item 1)	1
4	X	Bearing, ball (order item 21)	1
5	X	Seal (order item 21)	1
6	223553	Impeller	1
7	223560	Gasket	1
8	GM21402	Cover	1
9	#	Plug, pipe, 1/2 in.-14 NPT	1
10	GM21403	Fitting, union, 1/4 in.-18 NPT x 54 mm	1
11	352067	Tube	2
12	#	Screw, cap, 3/8 in. x 1 1/2 in. (SAE grade 8)	1
13	#	Washer, 10 x 18 x 2.500 mm	1
14	#	Screw, cap, 3/8 in. x 1 3/8 in. (SAE grade 8)	1
15	#	Washer, 10.500 x 18 x 1.600 mm	1
16	223628	Gasket	1
17	#	Screw, cap, 3/8 in. x 2 in. (SAE grade 8)	1
18	#	Washer, locker, 3/8 in.	3
19	#	Nut, 3/8 in.	1
20	#	Screw, cap, 3/8 in. x 3 1/2 in.	2
21	GM21404	Kit, pump repair	1

Common hardware; procure locally.

X Not sold separately.

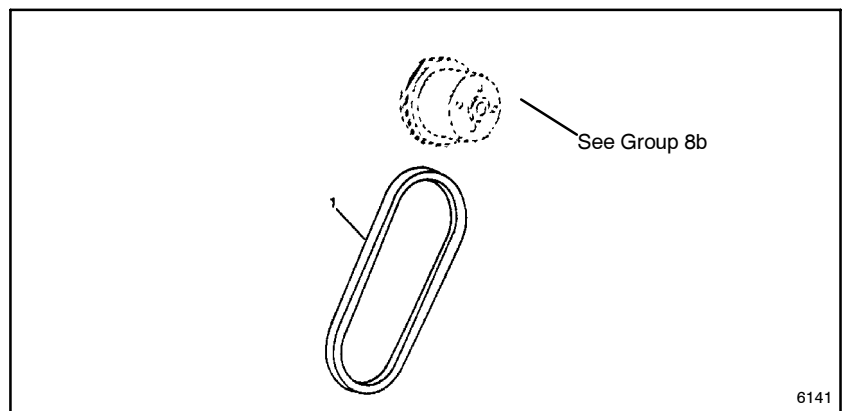
Group 2b: Thermostat



Item	Part No.	Description	Qty.
			Var. 2110
1	360013	Plug	1
2	GM21508	O-ring	1
3	#	Screw, cap, 3/8 in. x 1 1/8 in.	2
4	#	Washer, 10 x 18 x 2.500 mm	2
5	GM32722	Cover (also order items 1, 7, and 12)	1
6	GM21406	Gasket	1
7	360116	Gasket, water bypass tube	1
8	GM21407	Gasket	1
9	GM21408	Clamp	2
10	GM21409	Clamp	1
11	336463	Hose	1
12	GM15403	Plug, pipe	1
13	223595	Thermostat, 82 deg. C	1

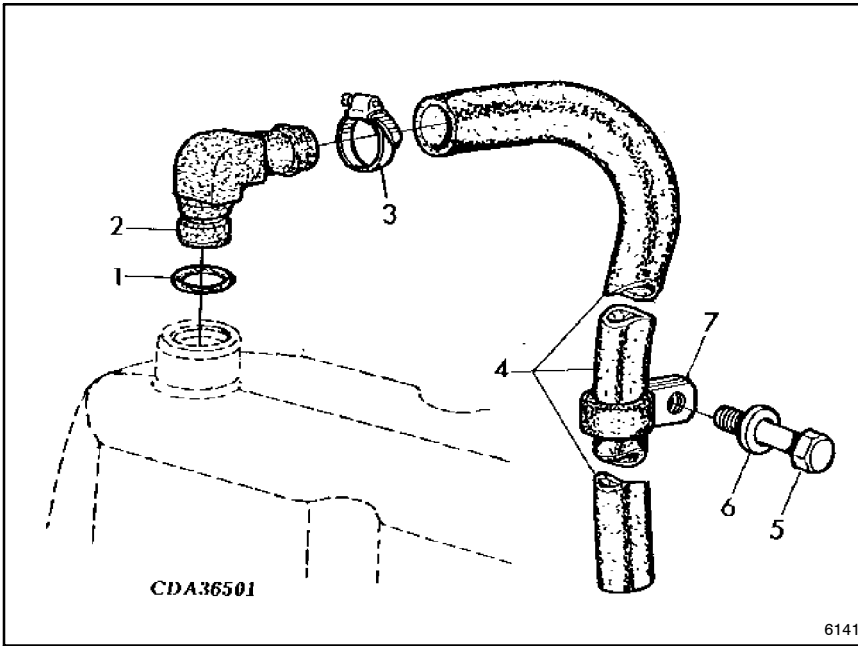
Common hardware; procure locally.

Group 2c: Fan Belt



Item	Part No.	Description	Qty.
			Var. 2401
1	GM11846	Belt, fan	1

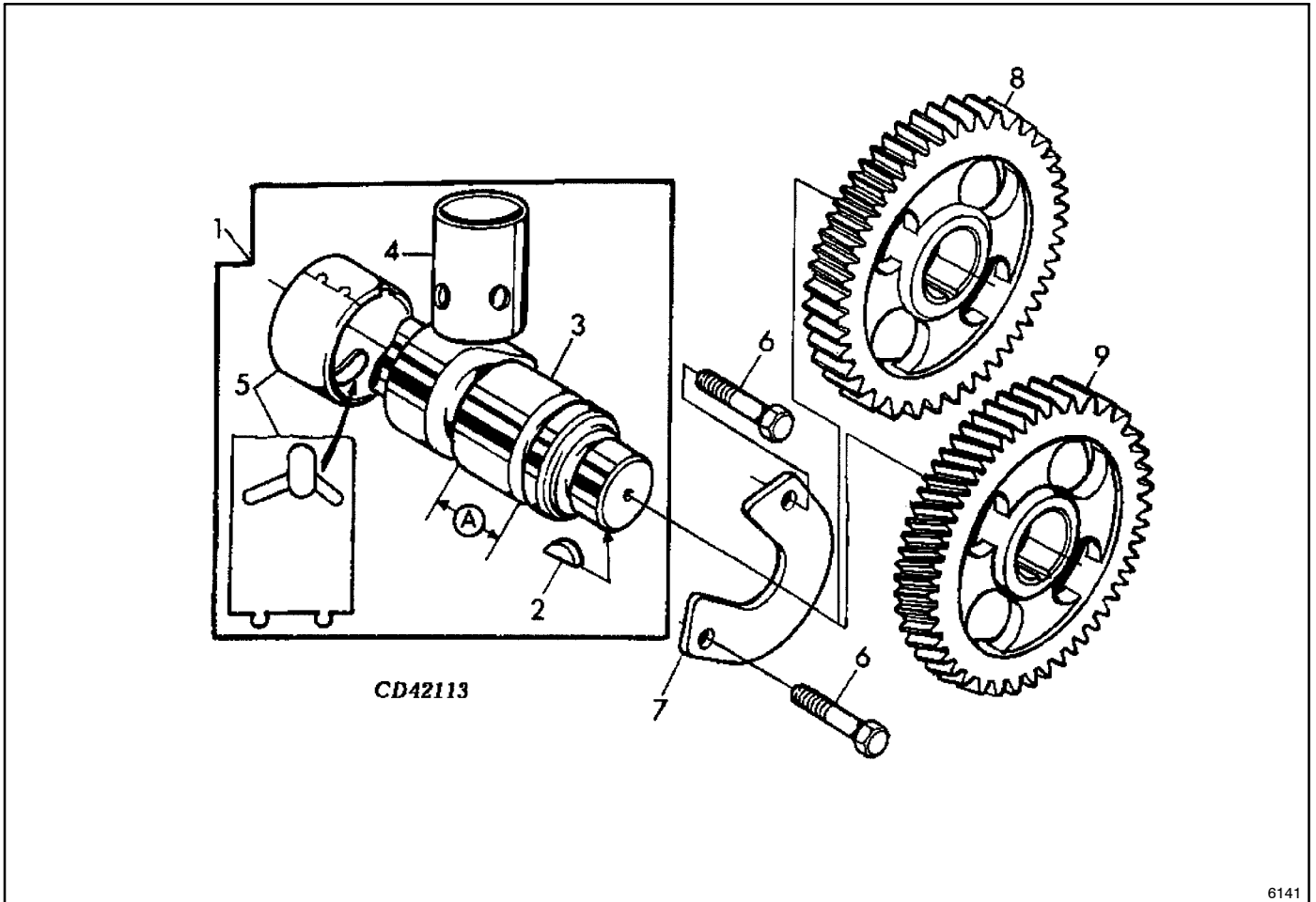
Group 3: Vent Tube



Item	Part No.	Description	Qty.
			Var. 2902
1	223491	O-ring	1
2	223551	Fitting, elbow	1
3	336475	Clamp	1
4	GM32723	Tube	1
5	#	Screw, 5/16 x 1/2 in.	1
6	#	Washer, 8.4 x 16 x 1.6 mm	1
7	GM32724	Clamp	1

Common hardware; procure locally.

Group 4a: Camshaft



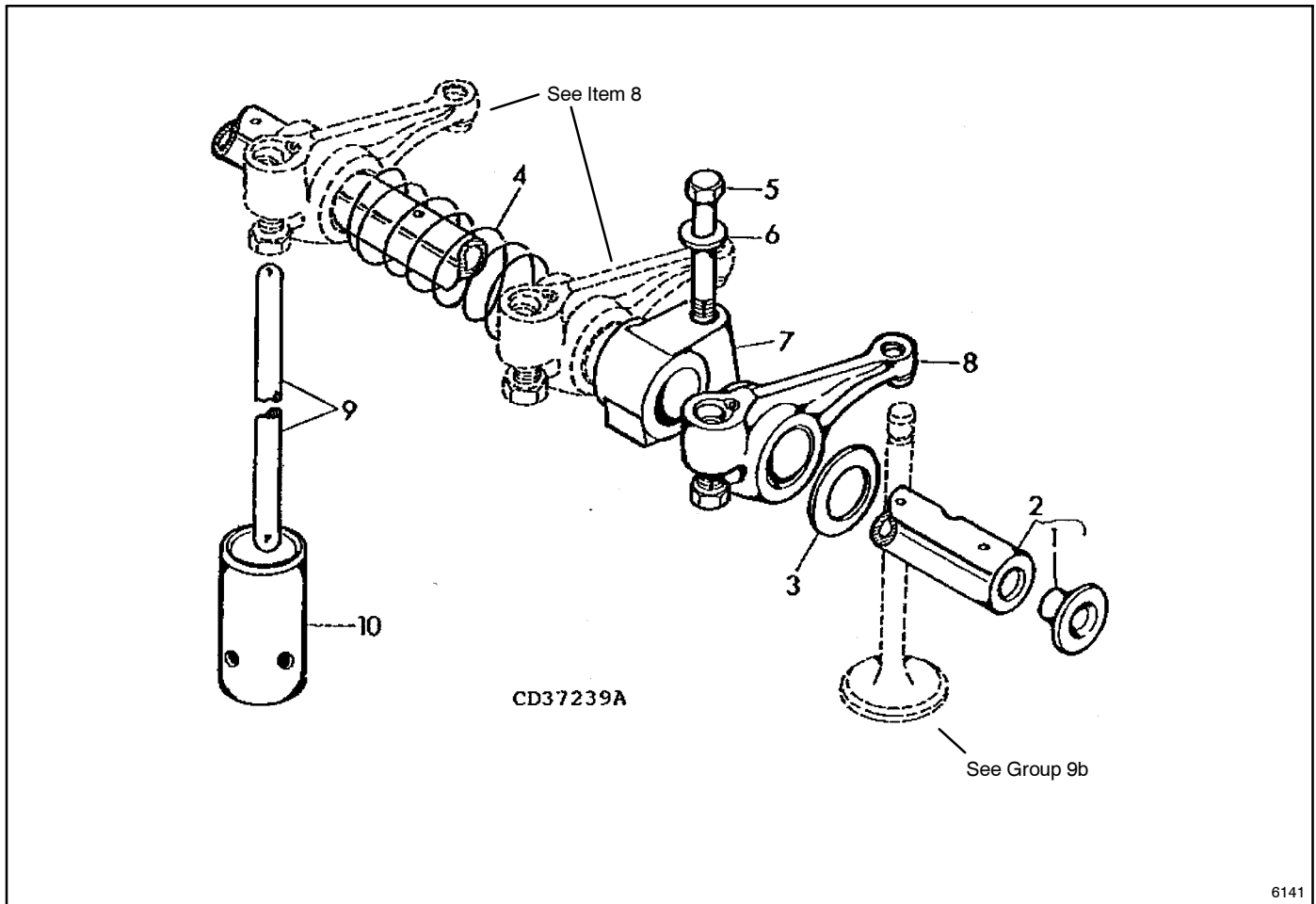
6141

Item	Part No.	Description	Qty.	
			9914	4607
1	GM21411	Camshaft kit	1	1
2	223407	Key, woodruff	1	1
3	X	Camshaft	1	1
4	223611	Tappet	8	8
5	352246	Bushing	1	1
6	#	Screw, cap, 3/8 in. x 1 in. (SAE grade 8)	2	2
7	223610	Plate	1	1
8	Not used	Gear, spur	1	1
9	223609	Gear	1	1

Common hardware; procure locally.

X Not sold separately.

Group 4b: Valve Train

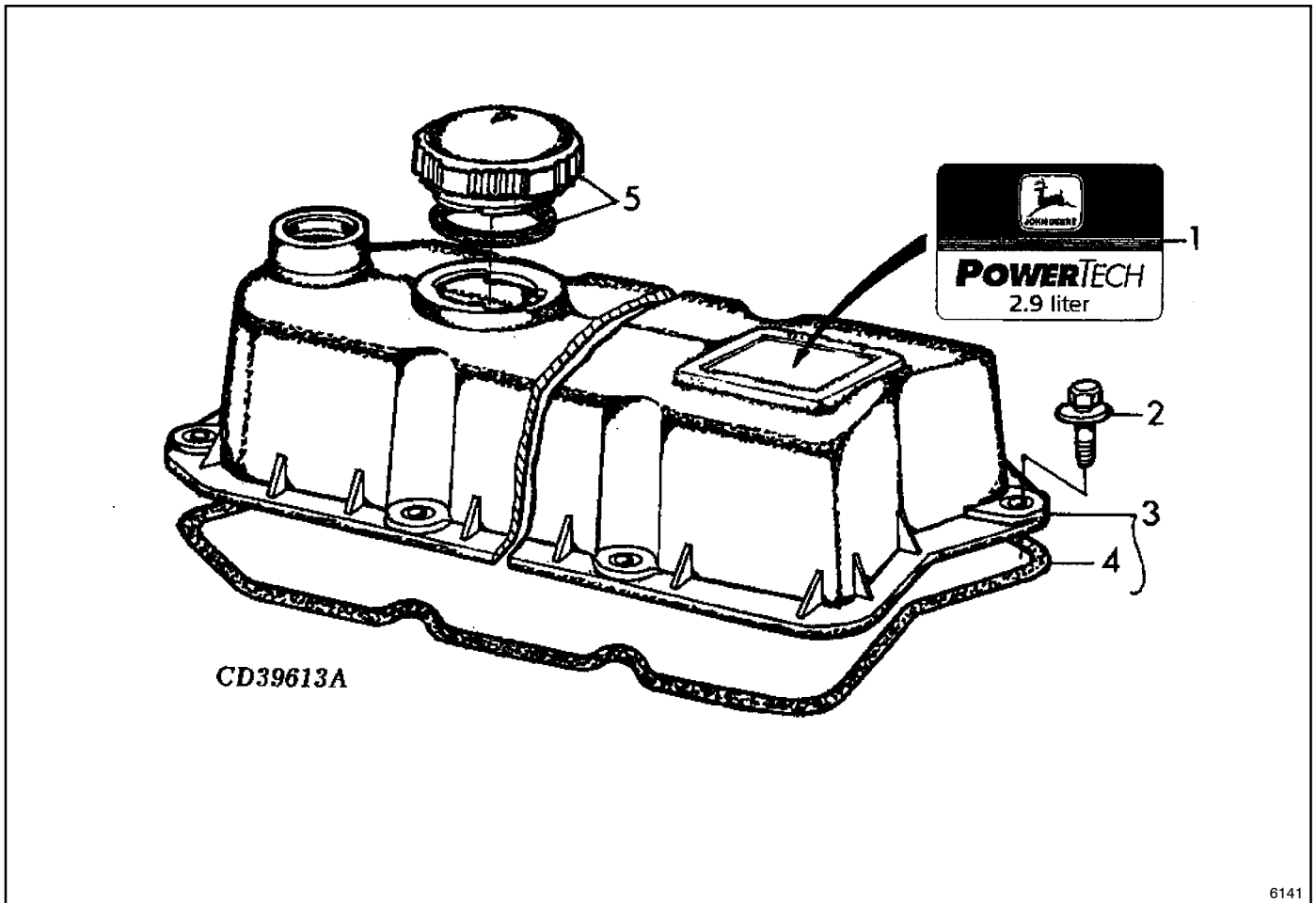


6141

Item	Part No.	Description	Qty.	
			4903	9901
1	223480	Plug	2	2
2	GM32725	Shaft, rocker arm	1	
2	GM21412	Shaft, rocker arm		1
3	223634	Washer	2	2
4	223632	Spring	2	2
5	GM32726	Screw, self locking	3	
5	#	Screw, cap, 3/8 in. x 2 1/2 in. (SAE grade 8)		3
6	223756	Washer		3
7	223633	Support		3
7	360112	Support	3	
8	223592	Arm, rocker	6	6
9	GM21413	Rod, push	6	6
10	223611	Tappet	6	6

Common hardware; procure locally.

Group 4c: Rocker Arm Cover

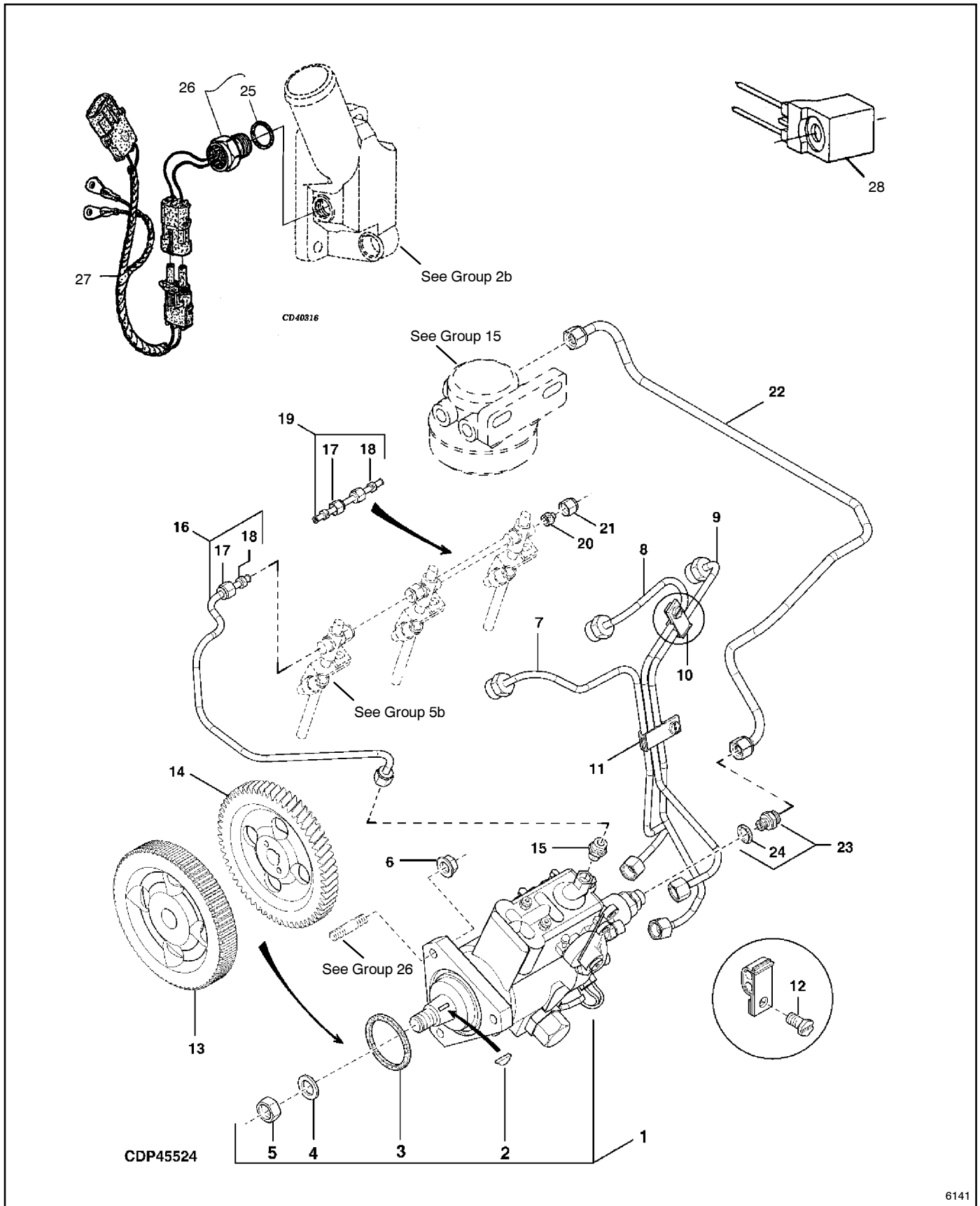


6141

Item	Part No.	Description	Qty.
			Var. 1105
1	X	Label	1
2	GM21414	Screw with washer	6
3	GM21415	Cover, valve	1
4	GM21416	Gasket	1
5	336435	Cap, filler	1

X Not sold separately.

Group 5a: Fuel Injection System



6141

Group 5a: Fuel Injection System

Item	Part No.	Description	Qty.				
			1603	1641	Var.		
			16TR	16TT	164H		
1	GM21495	Pump, fuel injection	1				
1	GM21496	Pump, fuel injection		1			
1	GM21497	Pump, fuel injection			1		
1	GM21498	Pump, fuel injection				1	
1	GM32727	Pump, fuel injection					1
2	GM21499	Key, shaft	1	1	1	1	1
3	224172	O-ring	1	1	1	1	
3	GM17487	O-ring					1
4	223471	Washer, lock	1	1			
4	GM21501	Washer			1	1	
4	GM17456	Washer					1
5	224161	Nut	1	1			1
5	GM21500	Nut			1	1	
6	#	Nut	4	4	3	3	3
7	GM21503	Fuel line, no. 1	1	1	1	1	1
8	GM21504	Fuel line, no. 2	1	1	1	1	1
9	GM21505	Fuel line, no. 3	1	1	1	1	1
10	223572	Clamp	1	1			1
11	224071	Clamp	1	1			1
12	#	Screw, cap, M6 x 12	1	1	1	1	1
13	—	Not used					
14	GM21502	Pinion	1	1			
14	224238	Gear			1	1	1
15	223460	Fitting	1	1			
15	223820	Fitting			1	1	1
16	GM21506	Fuel line	1	1			
16	See table below	Fuel line (includes items 17, 18)			1	1	1
16	See table below	Fuel line (includes items 17, 18)			1	1	1
17	360141	Nut			2	2	2
18	223476	Packing			2	2	2
19	223504	Tube (includes items 17, 18)	2	2	2	2	2
20	223710	Plug					1
21	223476	Packing					1
22	GM21455	Line, fuel (includes nut and sealing washer)	1	1	1	1	
22	GM21453	Nut (not shown)	2	2	2	2	
22	GM17494	Washer, sealing (not shown)	2	2	2	2	
22	GM32728	Line, fuel					1
23	222764	Fitting	1	1			
23	360037	Fitting (includes item 24)			1	1	1
24	222760	O-ring	1	1			
24	360178	O-ring			1	1	1
25	GM21508	O-ring			1	1	1
26	GM21509	Switch, temperature			1	1	1
27	GM21510	Harness, wiring			1	1	1
28	GM32784	Solenoid valve coil			1	1	

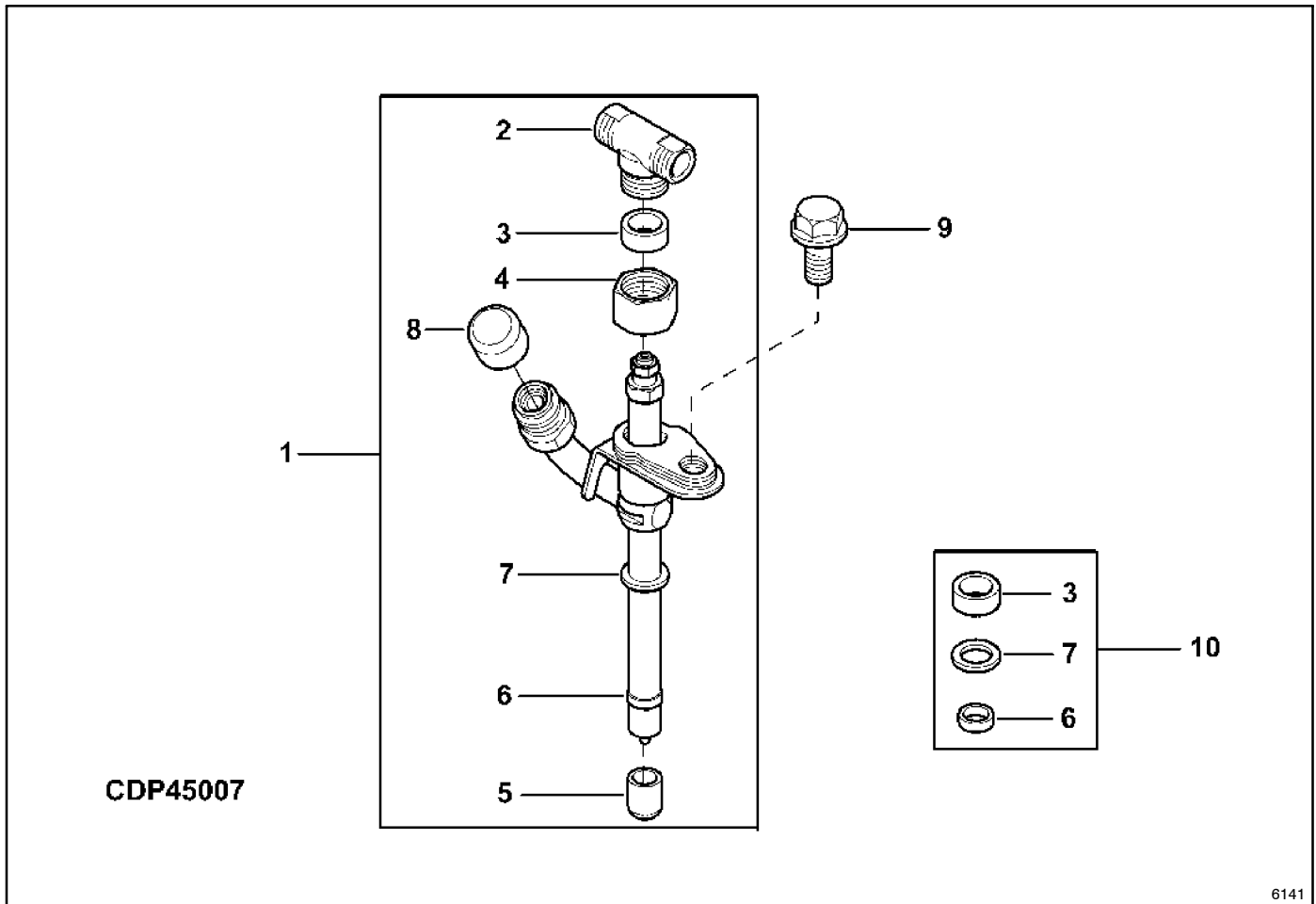
Common hardware; procure locally.

Serial Number-Contingent Fuel Line

Use the engine serial number to verify item 16. Find your serial number on the engine nameplate and choose the fuel filter line from the chart below.

Model	Variation	Serial Number	Part Number
3029TF, 60 Hz	16TR	PE3029T266666 and before	GM21507
		After PE3029T266666	GM32738
3029TF, 50 Hz	16TT	PE3029T028590 and before	GM21507
		After PE3029T028590	GM32738

Group 5b: Fuel Injection Nozzle



Group 5b: Fuel Injection Nozzle

Item	Part No.	Description	Qty.				
			1603	1641	Var.		
			16TR	16TT	164H		
1	GM21511	Nozzle, injection	3	3			
1	GM21512	Nozzle, injection			3	3	
1	360017	Nozzle, injection					3
2	GM21513	Fitting, tee	1	1	1	1	1
3	X	Washer (order item 10)	1	1	1	1	1
4	223517	Nut, tube	1	1	1	1	1
5	224257	Plug	AR	AR	AR	AR	AR
6	X	Washer (order item 10)	1	1	1	1	1
7	X	Packing (order item 10)	1	1	1	1	1
8	223660	Plug	AR	AR	AR	AR	AR
9	224188	Screw, cap	3	3	3	3	3
10	GM21515	O-ring kit	AR	AR			
10	GM21516	O-ring kit			AR	AR	AR

AR As Required

X Not sold separately.