

PARTS MANUAL

**S80FT, S80FT-BCS, S100FT,
S100FT-BCS, S120FT, S120FTS,
S120FT-PRS
(J004)**

CUSTOMER EDITION

HYSTER

SECTIONS

1	FRAME
2	ENGINE ASSEMBLY-KUBOTA LPG
3	FUEL SYSTEM
4	ELECTRICAL SYSTEM
5	TRANSMISSION
6	DRIVE AXLE
7	STEERING SYSTEM
8	BRAKE SYSTEM
9	HYDRAULIC SYSTEM
10	MAST-TWO STAGE LIMITED FREE-LIFT
11	MAST-TWO STAGE FULL FREE-LIFT
12	MAST-THREE STAGE FULL FREE-LIFT
13	OPTIONS
14	FIELD CONVERSION KITS
15	NUMERICAL INDEX

This Parts Manual is divided into 15 major sections which are listed above. Quick reference to these sections can be made by placing the right thumb on the tab of the desired section, bending the book back and thumbing the pages to the corresponding tab.

**Thanks very much for your reading,
Want to get more information,
Please click here, Then get the complete
manual**

JustClickHere 

NOTE:

**If there is no response to click on the link above,
please download the PDF document first, and then
click on it.**

**Have any questions please write to me:
admin@servicemanualperfect.com**

TABLE OF CONTENTS

DESCRIPTION	PAGE
A	
ACCUMULATOR	13-12
ADD ON OPTION KITS	14-2
AIR FILTER ASSEMBLY	
KUBOTA LPG - 3.8L	3-4
AIR INTAKE	
PRE-CLEANER AND DUCT	3-6
AIR INTAKE AND FILTER	
KUBOTA 3.8L LPG	3-2
ALTERNATOR FUSE GROUP	
KUBOTA 3.8L	4-18
ANTI-STALL	
WITH MANUAL HYDRAULIC VALVE	9-40
ARMREST ASSEMBLY	
MINI-LEVER MODULES - SEMI-SUSPENSION SEAT WITH HIP RESTRAINTS	1-24
MINI-LEVER MODULES	1-26
AUXILIARY HOSES	9-50
AUXILIARY TUBE EXTENSIONS	
THREE STAGE FULL FREE-LIFT - WITHOUT QUICK DISCONNECT FITTINGS	13-30
THREE STAGE FULL FREE-LIFT - MANUAL HYDRAULICS WITH QUICK DISCONNECT FITTINGS	13-32
THREE STAGE FULL FREE-LIFT - E-HYDRAULICS WITH QUICK DISCONNECT FITTINGS	13-34
TWO STAGE FULL FREE- LIFT - MANUAL HYDRAULICS WITH QUICK DISCONNECT FITTINGS	13-24
TWO STAGE FULL FREE-LIFT - WITHOUT QUICK DISCONNECT FITTINGS	13-21
TWO STAGE FULL FREE-LIFT - E-HYDRAULICS WITH QUICK DISCONNECT FITTINGS	13-26
TWO STAGE LIMITED FREE LIFT - WITHOUT QUICK DISCONNECT FITTINGS	13-14
TWO STAGE LIMITED FREE LIFT - MANUAL HYDRAULICS WITH QUICK DISCONNECT FITTINGS	13-16
TWO STAGE LIMITED FREE LIFT - E-HYDRAULICS WITH QUICK DISCONNECT FITTINGS	13-18
B	
BACK-UP ALARM	13-10
BATTERY CABLES	
KUBOTA 3.8L LPG	4-13
KUBOTA LPS - SAFETY OPTION	4-12
BATTERY DISCONNECT	4-16
BOLT-ON FENDERS	13-2
BRAKE COOLING SYSTEM	8-2
BRAKE LINKAGE	
DUAL PEDAL WET BRAKE	8-6
SINGLE PEDAL WET BRAKE	8-4
BRAKE MASTER CYLINDER ASSEMBLY	8-12
C	
CARRIAGE	
THREE STAGE FULL FREE-LIFT	12-32
TWO STAGE FULL FREE-LIFT - S80-120FT	11-26
TWO STAGE LIMITED FREE-LIFT	10-20
CHARGE PUMP ASSEMBLY	5-20

TABLE OF CONTENTS (continued)

DESCRIPTION	PAGE
CONTROL VALVE ASSEMBLY	
ELECTRONIC CONTROL - THREE, FOUR AND FIVE FUNCTION	9-16
CONTROL VALVE LOCKOUT GROUP	
MANUAL CONTROL VALVE	9-38
CONVERSION KITS	14-4
COUNTERWEIGHT	1-9
COWL ELECTRICAL	
ELECTRO-HYDRAULIC	4-6
MANUAL HYDRAULIC	4-4
COWL MOUNT	1-8
D	
DIFFERENTIAL ASSEMBLY	
WET BRAKE (NMHG)	6-12
DISCONNECT AND FUSED HARNESSSES	4-37
DRIVE AXLE ASSEMBLY	
WET BRAKE (NMHG) - PAGE 1 OF 3	6-2
WET BRAKE (NMHG) - PAGE 2 OF 3	6-6
WET BRAKE (NMHG) - PAGE 3 OF 3	6-10
DRIVE TIRE AND WHEEL	6-16
DUAL MIRRORS	13-6
E	
ELECTRICAL GROUP	
HYDRAULIC FAN DRIVE	4-2
ELECTRICAL SYSTEM	
LOAD WEIGH	4-26
MAST	4-28
RIGHT HAND CHASSIS	4-8
ELECTRONIC CONTROL VALVE	
INLET SECTION	9-18
LIFT SECTION	9-20
OUTLET SECTION	9-28
TILT SECTION	9-22
ENGINE ASSEMBLY	
ALTERNATOR AND PULLEY - KUBOTA 3.8L SI LPG	2-48
ALTERNATOR AND PULLEY - KUBOTA 3.8L LPG WITH HYDRAULIC FAN	2-52
CAMSHAFT AND IDLE GEAR SHAFT - KUBOTA 3.8L SI LPG	2-41
CYLINDER HEAD - KUBOTA 3.8L SI LPG	2-26
CYLINDER HEAD COVER - KUBOTA 3.8L SI LPG	2-25
DIPSTICK AND GUIDE - KUBOTA 3.8L SI LPG	2-38
ELECTRONIC CONTROL MODULE - KUBOTA 3.8L SI LPG	2-56
EXHAUST MANIFOLD - KUBOTA 3.8L SI LPG	2-37
FAN DRIVE AND MOUNTING - KUBOTA 3.8L SI LPG	2-32
FAN PULLEY - KUBOTA 3.8L SI LPG WITH HYDRAULIC FAN	2-33
GEAR CASE - KUBOTA 3.8L SI LPG	2-23
IGNITION COIL - KUBOTA 3.8L SI LPG	2-45
INJECTION PUMP COVER - KUBOTA 3.8L SI LPG	2-44
INTAKE MANIFOLD AND THROTTLE BODY - KUBOTA 3.8L SI LPG	2-30

TABLE OF CONTENTS (continued)

DESCRIPTION	PAGE
MAIN BEARING CASE - KUBOTA 3.8L SI LPG	2-40
OIL COOLER - KUBOTA 3.8L SI LPG	2-39
OIL PAN - KUBOTA 3.8L SI LPG	2-22
PISTON AND CRANKSHAFT - KUBOTA 3.8L SI LPG	2-42
SEALED ALTERNATOR - KUBOTA 3.8L SI LPG	2-50
SEALED ALTERNATOR - KUBOTA 3.8L SI LPG WITH HYDRAULIC FAN	2-54
SHORT BLOCK - KUBOTA 3.8L SI LPG	2-20
STARTER - KUBOTA 3.8L SI LPG	2-57
SUPPLY PUMP COVER - KUBOTA 3.8L SI LPG	2-46
THERMOSTAT AND HOUSING - KUBOTA 3.8L SI LPG	2-34
VALVE AND ROCKER ARM - KUBOTA 3.8L SI LPG	2-28
WATER PUMP - KUBOTA 3.8L SI LPG	2-36
ENGINE COOLING	
W/ AIR OIL COOLER	2-2
W/ AIR OIL COOLER AND HYDRAULIC FAN	2-4
W/O AIR OIL COOLER	2-6
ENGINE MOUNT	2-16
EXHAUST SYSTEM	
KUBOTA 3.8L LPG	2-12
KUBOTA 3.8L LPG - BOX CAR SPECIAL	2-14
F	
FIRE EXTINGUISHER	13-8
FLOOR PLATES AND COVERS	1-2
FLYWHEEL AND HOUSING	
KUBOTA 3.8L LPG	2-18
FORK	
POLISHED WITH FULL BOTTOM TAPER HOOK TYPE	1-32
STANDARD TAPER HOOK TYPE - CLASS III	1-28
STANDARD TAPER HOOK TYPE - CLASS IV	1-29
FORKS WITH LATCH	
POLISHED WITH FULL BOTTOM TAPER - OPTIONAL	1-33
STANDARD TAPER - OPTIONAL	1-30
FORWARD CLUTCH	
SINGLE SPEED TRANSMISSION	5-14
FORWARD CLUTCH, HIGH	
DUAL SPEED TRANSMISSION	5-32
FORWARD CLUTCH, LOW	
DUAL SPEED TRANSMISSION	5-30
FREE-LIFT	
THREE STAGE FULL FREE-LIFT	12-20
FREE-LIFT CYLINDER	
THREE STAGE FULL FREE LIFT	12-24
TWO STAGE FULL FREE-LIFT - S80-120FT	11-18
FUEL SYSTEM	
LPG - WITH LOW FUEL SENSOR	3-8
LPG - WITHOUT LOW FUEL SENSOR	3-10
FULL SUSPENSION SEAT	
MANUAL AND ELECTRO-HYDRAULIC — SWIVEL AND NON SWIVEL - SHEET 1 OF 4	1-16

TABLE OF CONTENTS (continued)

DESCRIPTION	PAGE
RECLINER AND DAMPER KITS - SHEET 2 OF 4	1-18
SERVICE KITS FOR NON SWIVEL AND SWIVEL - SHEET 3 OF 4	1-20
FULL SUSPENSION SEAT ATTACHING PARTS	
NOT INCLUDED WITH SEAT - SHEET 4 OF 4	1-22
FUSE BOX	
POWER DISTRIBUTION MODULE	4-10
G	
GEAR PUMP ASSEMBLY	
STANDARD OR LOW DISPLACEMENT	9-12
H	
HAND LEVERS	
FOUR FUNCTION - WITHOUT DETENTED LEVERS	9-34
FOUR FUNCTION - WITH DETENTED LEVERS	9-36
THREE FUNCTION - WITHOUT DETENTED LEVERS	9-30
THREE FUNCTION - WITH DETENTED LEVERS	9-32
HEADER HOSE	
THREE STAGE FULL FREE-LIFT	12-28
TWO STAGE FULL FREE-LIFT - S80-120FT	11-22
TWO STAGE LIMITED FREE-LIFT	10-14
HEADER HOSE CONVERSION KITS	
HOOD ASSEMBLY	1-6
HYDRAULIC BREATHER	9-10
HYDRAULIC CONTROL VALVE (MANUAL)	
AUXILIARY ONE AND TWO SECTION - THREE AND FOUR FUNCTION	9-46
LIFT AND TILT - THREE AND FOUR FUNCTION	9-44
OUTLET SECTION - THREE AND FOUR FUNCTION	9-48
THREE AND FOUR FUNCTION	9-42
HYDRAULIC FAN DRIVE	
PLUMBING AND MANIFOLD	9-2
HYDRAULIC FAN DRIVE MANIFOLD	9-3
HYDRAULIC FILTER	9-8
HYDRAULIC SUPPLY AND RETURN	
W/ VARIABLE DISPLACEMENT PUMP	9-6
WITH STANDARD DISPLACEMENT GEAR PUMP	9-4
I	
IMPACT SENSOR	4-32
INNER MAST	
THREE STAGE FULL FREE-LIFT	12-6
TWO STAGE LIMITED FREE-LIFT	10-4
INNER MAST AND FREE-LIFT	
TWO STAGE FULL FREE-LIFT - S80-120FT	11-6
INSTRUMENT CLUSTER	4-29
INTEGRAL SIDE-SHIFT	
TWO AND THREE STAGE FULL FREE-LIFT - S100-120FT	13-58
INTEGRAL SIDE-SHIFT ASSEMBLY	
THREE STAGE FULL FREE-LIFT - S80FT	13-54
TWO STAGE FULL FREE-LIFT - S80FT	13-48

TABLE OF CONTENTS (continued)

DESCRIPTION	PAGE
TWO STAGE LIMITED FREE LIFT CLASS III - ORFS FITTINGS	13-38
TWO STAGE LIMITED FREE LIFT CLASS IV - ORFS FITTINGS	13-40
INTEGRAL SIDE-SHIFT CARRIAGE	
THREE STAGE FULL FREE-LIFT - 1219 MM (48 IN.) CLASS III	13-56
THREE STAGE FULL FREE-LIFT - 1219 MM (48 IN.) CLASS IV	13-62
TWO STAGE FULL FREE-LIFT - 1067 MM (42 IN.) CLASS III	13-50
TWO STAGE FULL FREE-LIFT - 1219 MM (48 IN.) CLASS III	13-52
TWO STAGE FULL FREE-LIFT - 1219 MM (48 IN.) CLASS IV	13-60
TWO STAGE LIMITED FREE-LIFT - 1067 MM (42 IN.) CLASS III	13-42
TWO STAGE LIMITED FREE-LIFT - 1219 MM (48 IN.) CLASS III	13-44
TWO STAGE LIMITED FREE-LIFT - 1219 MM (48 IN.) CLASS IV	13-46
INTERMEDIATE MAST	
THREE STAGE FULL FREE-LIFT	12-8
L	
LABEL AND PLATE LOCATION	
PAGE 1 OF 2	1-42
PAGE 2 OF 2	1-44
LABELS	
MINI-LEVER MODULES - DUAL FUNCTION	1-36
LABELS HYDRAULIC CONTROL	
MANUAL CONTROL LEVERS	1-40
LEFT HAND MAIN LIFT CYLINDER	
TWO STAGE FULL FREE-LIFT - S80-120FT	11-10
LOAD BACKREST EXTENSION	1-34
LPG TANK BRACKET	
SWING OUT	3-12
SWING OUT, DROP DOWN	3-16
M	
MAIN LIFT	
THREE STAGE FULL FREE-LIFT	12-12
TWO STAGE LIMITED FREE-LIFT	10-6
MAIN LIFT CYLINDER	
THREE STAGE FULL FREE-LIFT	12-16
TWO STAGE LIMITED FREE-LIFT - S80FT	10-10
TWO STAGE LIMITED FREE-LIFT - S100-120FT	10-12
MINI LEVER MODULE LABELS	
HYDRAULIC CONTROL FUNCTIONS	1-38
MINI-LEVER CONTROLS	
WITH ARMREST - THREE FUNCTION	4-20
WITH ARMREST - FOUR FUNCTION	4-22
WITH ARMREST - FIVE FUNCTION	4-24
MIRROR	
REAR MOUNTED	13-7
N	
NON SUSPENSION SEAT	
WITHOUT ELECTRONIC CONTROLS	1-12

TABLE OF CONTENTS (continued)

DESCRIPTION	PAGE
O	
OUTER MAST	
THREE STAGE FULL FREE-LIFT	12-2
TWO STAGE LIMITED FREE-LIFT	10-2
OUTER MAST AND MAIN LIFT	
TWO STAGE FULL FREE-LIFT - S80-120FT	11-2
OVERHEAD GUARD	1-10
P	
PARK BRAKE ASSEMBLY	
MANUAL WITH ONE CABLE	8-14
R	
RADIATOR ASSEMBLY	
WITH OIL COOLER	2-8
RADIATOR BAFFLE	2-10
REMOTE KEY SWITCH	4-30
REVERSE CLUTCH	
DUAL SPEED TRANSMISSION	5-34
SINGLE SPEED TRANSMISSION	5-16
RIGHT HAND MAIN LIFT CYLINDER	
TWO STAGE FULL FREE-LIFT - S80-120FT	11-14
S	
SEMI-SUSPENSION SEAT	
WITH AND WITHOUT ELECTRONIC CONTROLS	1-14
STEER AXLE	7-4
STEER CYLINDER	7-8
STEER TIRES AND WHEELS	7-16
STEERING COLUMN AND ATTACHING PARTS	7-10
STEERING COLUMN ASSEMBLY	7-12
STEERING CONTROL UNIT	7-14
STEERING HYDRAULICS	
WITH DUAL HYDRAULIC TANKS	7-2
STROBE LIGHT	
LED	13-4
T	
THROTTLE PEDAL ASSEMBLY AND ATTACHING PARTS	
MONOTROL	3-22
STANDARD PEDAL	3-20
TILT HOSES	9-52
TILT CYLINDER	9-56
TILT CYLINDER INSTALLATION	9-54
TORQUE CONVERTER	
KUBOTA 3.8L LPG	5-6
TRANSMISSION	
DUAL SPEED - SHEET 1 OF 3	5-22
DUAL SPEED - SHEET 2 OF 3	5-24
DUAL SPEED - SHEET 3 OF 3	5-26

TABLE OF CONTENTS (continued)

DESCRIPTION	PAGE
SINGLE SPEED - SHEET 1 OF 3	5-8
SINGLE SPEED - SHEET 2 OF 3	5-9
SINGLE SPEED - SHEET 3 OF 3	5-12
TRANSMISSION CONTROL VALVE ASSEMBLY	5-18
TRANSMISSION COOLING	
WITH AIR OIL COOLER	5-2
WITH DUAL HYDRAULIC TANKS	5-4
TRANSMISSION HARNESS GROUP	
WITH AND WITHOUT BRAKE TEMP	4-36
TRANSMISSION MOUNTING	
KUBOTA 3.8L LPG	5-7
V	
VALVE ASSEMBLY	
AUXILIARY ONE SECTION - ELECTRONIC CONTROL VALVE-THREE AND FOUR FUNCTION	9-24
AUXILIARY TWO SECTION - ELECTRONIC CONTROL VALVE-FOUR FUNCTION	9-26
VARIABLE DISPLACEMENT PUMP	
ASSEMBLY	9-15
VARIABLE DISPLACEMENT PUMP AND ADAPTOR	9-14
W	
WET BRAKE ASSEMBLY	
NMHG	6-14
WET BRAKE BOOSTER HYDRAULICS	8-10
WIRE HARNESS	
ELECTRONIC CONTROL VALVE - FOUR FUNCTION	4-46
ELECTRONIC CONTROL VALVE - THREE FUNCTION	4-48
ELECTRONIC CONTROL VALVE - FIVE FUNCTION	4-50
ENGINE - KUBOTA 3.8L SI LPG	4-42
HYDRAULIC FAN CONTROL	4-40
LIGHTS	4-88
RH CHASSIS	4-68
RH CHASSIS - WITH SEAT BELT SEQUENCE MODULE	4-74
SEALED ALTERNATOR	4-38
WIRE HARNESS WITH BRAKE TEMP	
TRANSMISSION - SINGLE SPEED	4-80
TRANSMISSION - TWO SPEED	4-84
WIRE HARNESS-COWL	
ELECTRO-HYDRAULICS WITH FORWARD/REVERSE - WITH HYDRAULIC PUMP SOLENOID	4-56
ELECTRO-HYDRAULICS WITH MONOTROL PEDAL - WITH HYDRAULIC PUMP SOLENOID	4-52
MANUAL HYDRAULICS WITH FORWARD/REVERSE - WITH HYDRAULIC PUMP SOLENOID	4-64
MANUAL HYDRAULICS WITH MONOTROL PEDAL - WITH HYDRAULIC PUMP SOLENOID	4-60
WORK, REAR DRIVE, AND BRAKE/TAIL LIGHTS	4-34

ABBREVIATIONS QUICK REFERENCE SHEET

Listed below are abbreviations used in parts manuals to denote the following expressions:

TERM	DEFINITION	TERM	DEFINITION
Amp	Amperes	FRE	Freezer Environment
AR	As Required	in.	inches
BDI	Battery Discharge Indicators	LPG	Liquefied Petroleum Gas
BWI	Brush Wear Indicator	MAP	Manifold Absolute Pressure
CE	Communicator End	mm	millimeters
CRE	Corrosive Environment	MSTS	Microprocessor Spark Timing System
D/B	Date Break	NPT	National Pipe Threads
dbA	Decibel "A" Scale	O/S	Oversize
DE	Drive End	PTO	Power Take Off
ECH	Empty Container Handler	RPM	Revolutions per Minute
ECH-3	Empty Container Handler - 3 High Stacking	S/N	Serial Number
ECH-4	Empty Container Handler - 4 High Stacking	TMM	Truck Management Module
ECH-5	Empty Container Handler - 5 High Stacking	UL Type D	Diesel-Powered Safety Rating
ECH-6	Empty Container Handler - 6 High Stacking	UL Type DS	Diesel-Powered Safety Rating
ECH-7	Empty Container Handler - 7 High Stacking	UL Type E	Battery-Powered Safety Rating
ECM	Electronic Control Module	UL Type EE	Battery-Powered Safety Rating
ECN	Engineering Change Notice	UL Type ES	Battery-Powered Safety Rating
EEPROM	Electrically Erasable Programmable Read Only Memory	UL Type G	Gasoline-Powered Safety Rating
EPA	US Environmental Protection Agency	UL Type GS	Gasoline-Powered Safety Rating
EPROM	Electrically Programmable Read Only Memory	UL Type LP	Gas-Powered Safety Rating
		UL Type LPS	LP Gas-Powered Safety Rating
		U/S	Undersize
		UL	Underwriters Laboratory
		V	Volts

HOW TO USE THE ILLUSTRATED PARTS MANUAL

This parts manual describes and illustrates assemblies, subassemblies, and detail parts needed for service replacement.

The different constructions are indicated by keys and footnotes. The callouts correspond to descriptions found on the next page.

HYSTER UNIT CODE D001 NORTH AMERICA 06/2001

TABLE OF CONTENTS

DESCRIPTION	PAGE
AIR INTAKE AND FILTER DIESEL (→ D/B 11/98).....	3-22
AIR INTAKE AND FILTER DIESEL (D/B 11/96 →).....	
AIR INTAKE AND FILTER GASOLINE AND LPG.....	
ALTERNATOR GASOLINE, LPG, AND DIESEL.....	
ALTERNATOR TYPES GS, LPS, AND DS.....	
AUXILIARY FUNCTION TUBE TWO AND THREE STAGE FULL P.....	

SECTION 13 NUMERICAL INDEX

PART NO.	PAGE	ITEM NO.	PART NO.	PAGE	ITEM NO.	PART NO.	PAGE	ITEM NO.	PART NO.	PAGE	ITEM NO.
142	3-4	19	10-13	25		11-27	29	12-31	12		
12445	3-32	19	10-17	6		11-31	25	16719	3-36		5
	3-34	1	10-27	11		11-32	37	16751	3-16		27
			11	11		8-4	29	16849	3-34		21
			11	6	16485	8-4	45	16863	3-36		20
			12	13		8-4	45	16865	3-28		17
			12	6		8-8	34	16865	3-6		18
			13	17		9-7	9	16882	4-27		41
			13	10		9-7	19		9-7		30
			14	46		9-11	9		9-11		27
			14	46		9-11	17		10-10		36
			23	46		10-9	21		10-13		32
			27	46		10-9	28		11-7		24
			26	14		10-13	16		11-9		17
			28	14		11-7	19				
			30	14							

SECTIONS

- 1
- 2
- 3
- 4
- 5 BRAKE/ACC
- 6
- 7 MAST-TWO STAG
- 8 MAST-THREE ST
- 9 MAST-TWO ST
- 10
- 11

TRANSMISSION HOUSING S/N D001H-2628

KEY:
A: Diesel
B: Gasoline and LPG

ITEM	PART NO.	DESCRIPTION	QTY	
			A	B
		Transmission	1	1
	2022547	Transmission	1	1
	2023329	Case	2	2
1	2021670	Bearing Cap	4	4
2	2023418	Washer	1	1
3	296429	Bolt	2	2
4	293947	Cover	2	2
5	2021390	Colter Pin	4	4
6	1371656	O-Ring	1	1
7	2021329	Plug	4	4
8	2021915	Housing	22	22
9	2021675	Pin	39	39
10	2021336	Bolt	1	1
11	287860	Lockwasher	1	1
12	292682	Hydraulic Pump	1	1
13		Figure 5-3	8	8
14	2021345	Gasket	1	1
15	214364	Bolt	1	1
16	296418	Washer	1	1
17	2021388	Temperature Switch	1	1
18	2021389	Breather	9	9
19	2021383	Dipstick	9	9
20	292515	Bolt	2	2
21	136692	Nut	3	3
22	292527	Bolt	3	2
23	292531	Capscrew	4	4
24	292583	Lockwasher	4	4
25	293637	Bolt	1	1
26	296420	Washer	1	1
	996403	Transmission Kit (Includes Item 7)	1	1
	996405	Transmission Kit (Includes Item 14)	1	1

This Parts Manual is divided into 11 major sections which are listed above. Quick be made by placing the right thumb on the tab of the desired section, bending the pages to the corresponding tab.

©Copy Right Date HYSTER COMPANY See Service Manual for service procedures. 5-15

HOW TO FIND THE DESIRED PART NUMBER

WHEN THE PART NUMBER AND THE NEXT HIGHER ASSEMBLY IS NOT KNOWN:

1. Determine the function and application of the part required. Turn to the Sections Page. Choose the general area of reference most likely to include the part.
2. Turn to the section you chose. Use the Section Table of Contents to determine the assembly which would normally contain the part required. Then locate the part on the assembly breakdown page.

WHEN THE PART NUMBER IS NOT KNOWN AND THE NEXT HIGHER ASSEMBLY IS KNOWN:

3. Determine the assembly the required part is used on. Turn to the Table of Contents (Page i).
4. Locate the assembly the required part is used on and turn to the page indicated for that assembly. Then locate the part on the assembly breakdown page.

WHEN THE PART NUMBER IS KNOWN:

5. Use the Numerical Index (Page 15-1) to find the part number. Turn to the page listed and locate the part as indicated by the item number.

GENERAL:

The assembly breakdowns include part numbers, descriptions, quantities required, keys and footnotes to help in selecting correct parts.

6. Parts Supersession Information. Part numbers that have this history will be displayed in the parts list in the order that they were superseded (from oldest to newest). The superseded part numbers will be shown with a line through them.

Five periods in the PART NO. column (.) indicate that the part is either *Not Serviced Separately* or there is a reference to another figure. A figure reference is denoted by a pointing hand followed by a figure number in the DESCRIPTION column (☞ Figure 10)

7. Keys are used to show two or more similar assemblies, RH and LH assembly parts, etc. Select the appropriate key, "A", "B", "C", "D", or "E" and the corresponding quantity column to find the required parts. Two periods in the QTY column (..) indicate that the part is not used for that assembly.
8. Indented descriptions under the DESCRIPTION column are used to indicate assemblies and

subparts of assemblies. In the example on the previous page, *BEARING CAP* (Item 2) is a subpart of the major assembly *CASE*.

9. Quantities shown are for one assembly. The quantities of the subpart *BEARING CAP* are indicated as two and two. This means two per *CASE* assembly.
10. Serial number breaks identify the most current parts information and are shown as follows:
 - **S/N D001H2628**
Indicates last serial number affected.
 - S/N D001H2629** →
Indicates the first serial number affected.
 - S/N D001H1553** ↔ **S/N D001H3291**
Indicates a range of serial numbers affected.

ECN numbers for pending serial numbers are shown to allow for the inclusion of the most current parts information and are identified as follows:

- **S/N Pending Per ECN 63243**
Indicates a pending serial number for last unit affected.
- S/N Pending Per ECN 63243** →
Indicates a pending serial number for first unit affected.

Date breaks are used to indicate when a change occurred but a subsequent serial number break was not recorded. This is an arbitrary date usually based on the ECN release and are identified as follows:

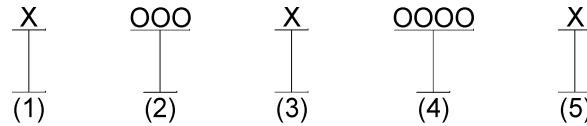
- **D/B 3/00**
Indicates that a change occurred sometime within that month for the item affected.
- D/B 3/00** →
Indicates that a change occurred sometime within that month for the item affected.
- D/B 3/00** ↔ **D/B 4/00**
Indicates a range of production dates of the item affected.

Contact your local dealer for Hyster lift trucks for serial number information for items with a ECN or a date break.

ORDERING PARTS:

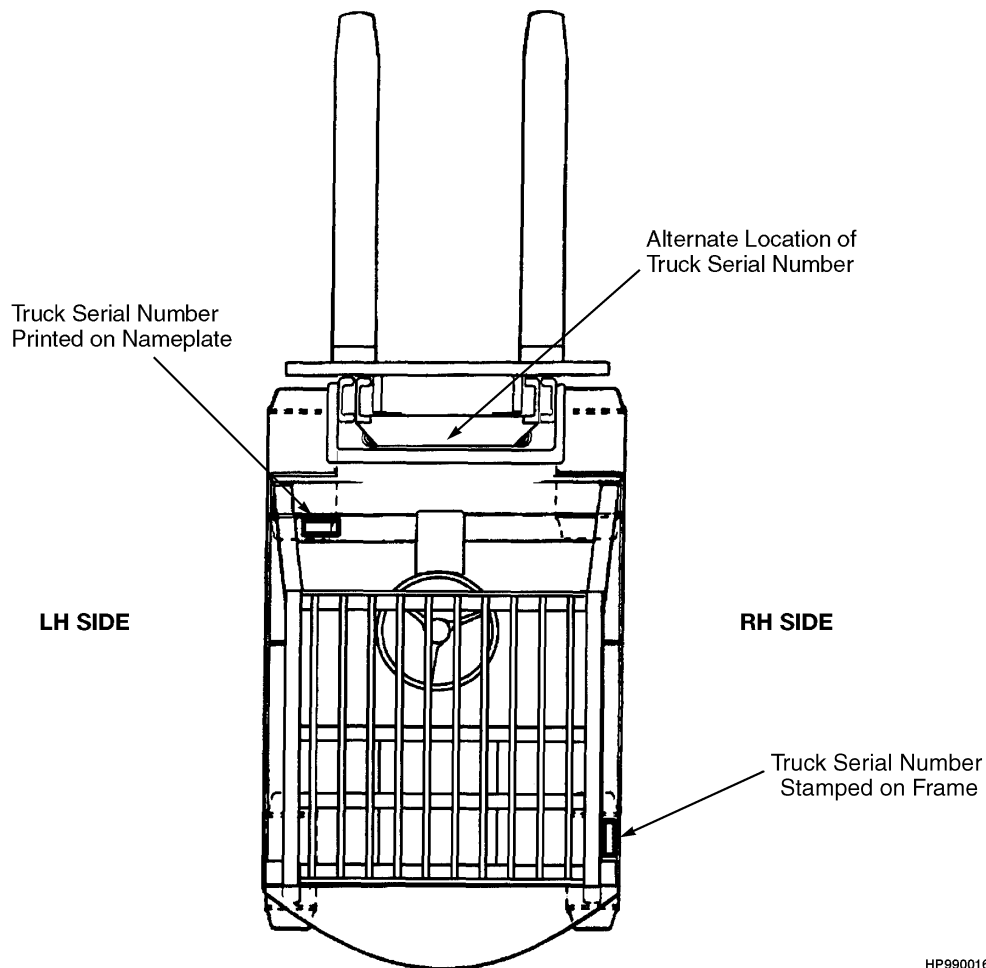
When ordering replacement parts, give the unit serial number, part number, name of part and quantity required.

For any further information on parts, service, or ordering, consult your local dealer for Hyster lift trucks.

IDENTIFICATION OF TRUCK SERIAL NUMBERS

- (1) and (2) The first letter and three numbers indicate the truck unit code.
- (3) The second letter indicates the plant of manufacture.
- (4) The four or five digit number indicates the production sequence number of the truck.
- (5) The final letter indicates the year of manufacture starting with "A" in 1957, 1980, and 2003.
The letters "I", "O", and "Q" will not be used.

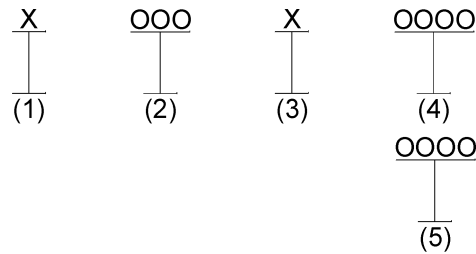
For pending serial numbers contact your local dealer for Hyster lift trucks.



HP990016

Parts referred to in this book as right or left hand parts are in accordance with the illustration above.

IDENTIFICATION OF MAST SERIAL NUMBERS



- (1) and (2) The first letter and number indicates the mast unit code.
- (3) The second letter indicates the plant of manufacture.
- (4) The four or five digit number indicates the production sequence number of the mast.
- (5) Carriage travel in millimeters stamped just below the serial number.

Mast Group identification consists of mast unit code (1) and (2) plus carriage travel (5).

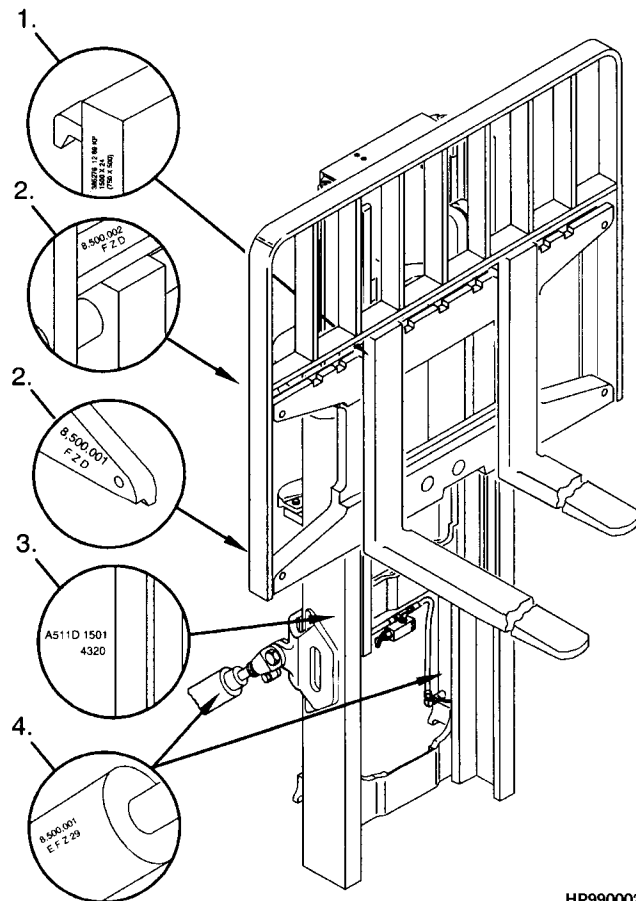
For pending production sequence numbers contact your local dealer for Hyster lift trucks.

LIFT EQUIPMENT IDENTIFICATION

1. Fork part number, capacity rating, plant code letter, and date of manufacture are stamped approximately six inches below the top of most forks.
2. The carriage group number is stamped on the right hand side of the top crossmember (pin type) or on the back of the right hand end of the bottom crossmember (hook type). A date code has two letters in line with or below the carriage group number.
3. The mast identification number has a unit code, a letter indicating the plant of manufacture, and a serial number. Underneath the production sequence number is a four digit number that indicates the carriage travel in millimeters.
4. Tilt and lift cylinder group numbers are stamped on the cylinder shell.

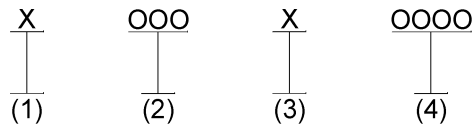
Always refer to the group, serial, or part number when ordering service parts.

Modification of masts and carriages by SPED (Special Products Engineering Department) are identified by a model prefix code beginning with the letter "S". contact your dealer for Hyster lift trucks for information on these assemblies.

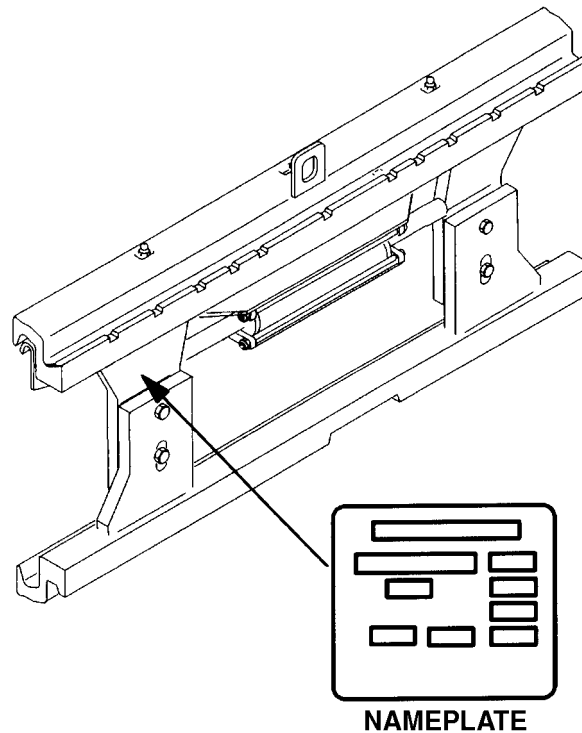


HP990002

IDENTIFICATION OF ATTACHMENT AND SIDE-SHIFT CARRIAGE SERIAL NUMBERS



- (1) and (2) The first letter and three numbers indicate the attachment unit code.
- (3) The second letter indicates the plant of manufacture.
- (4) The four or five digit number indicates the production sequence number.
- For pending production sequence numbers contact your local dealer for Hyster lift trucks.



HP990003

Side-shift carriages and attachments have nameplates. Use the serial number found on the nameplate to identify the attachment.

Always refer to the group, serial, or part number when ordering service parts.

Modifications of attachments and side-shift carriages by SPED (Special Products Engineering Department) are identified by a model prefix code beginning with the letter "S". Contact your dealer for Hyster lift trucks for information on these assemblies.

PUBLICATIONS

Every new lift truck is provided with an OPERATING MANUAL. This manual has information that the operator must know for inspection and operation of the lift truck.

SERVICE MAINTENANCE MANUALS, which provide service and overhaul procedures, and PARTS

MANUALS with complete replacement part identification, are available at a nominal fee from your Hyster dealer to assist users in effectively maintaining Hyster lift trucks in a safe, useful condition. See the list below for information on ordering specific publications for this model lift truck.

PUBLICATION	HYSTER PART NUMBER
Operating Manual.....	4128372
Service Manual (Complete).....	4128409
Parts Manual.....	4128401

1

FRAME