

# **PARTS MANUAL**

---

**S80-120FT, S80-100FTBCS,  
S120FTS, S120FTPRS  
(H004)**

**CUSTOMER EDITION**

---

***HYSTER***



**SECTIONS**

<b>1</b>	<b>FRAME</b>
<b>2</b>	<b>ENGINES</b>
<b>3</b>	<b>FUEL SYSTEM</b>
<b>4</b>	<b>ELECTRICAL SYSTEM</b>
<b>5</b>	<b>TRANSMISSION</b>
<b>6</b>	<b>DRIVE AXLE</b>
<b>7</b>	<b>STEERING SYSTEM</b>
<b>8</b>	<b>BRAKE SYSTEM</b>
<b>9</b>	<b>HYDRAULIC SYSTEM</b>
<b>10</b>	<b>MAST-TWO STAGE LIMITED FREE-LIFT</b>
<b>11</b>	<b>MAST-TWO STAGE FULL FREE-LIFT</b>
<b>12</b>	<b>MAST-THREE STAGE FULL FREE-LIFT</b>
<b>13</b>	<b>OPTIONS</b>
<b>14</b>	<b>FIELD CONVERSION KITS</b>
<b>15</b>	<b>NUMERICAL INDEX</b>

This Parts Manual is divided into 15 major sections which are listed above. Quick reference to these sections can be made by placing the right thumb on the tab of the desired section, bending the book back and thumbing the pages to the corresponding tab.



**Thanks very much for your reading,  
Want to get more information,  
Please click here, Then get the complete  
manual**

**JustClickHere** 

**NOTE:**

**If there is no response to click on the link above,  
please download the PDF document first, and then  
click on it.**

**Have any questions please write to me:  
[admin@servicemanualperfect.com](mailto:admin@servicemanualperfect.com)**

**TABLE OF CONTENTS**

DESCRIPTION	PAGE
<b>A</b>	
ACCUMULATOR	
→ 4/2015 .....	13-16
4/2015 → .....	13-18
ADD ON OPTION KITS	
ADD ON TELEMETRY KITS .....	14-10
ADD-ON OPTION KITS .....	14-2
AIR CLEANER	
GM 4.3L GASOLINE AND LPG - PSI OPTION .....	3-4
AIR FILTER .....	3-6
AIR INTAKE SYSTEM	
PRE-CLEANER AND DUCT .....	3-2
ALTERNATOR AND MOUNTING	
GM 4.3L .....	4-18
ANTI-STALL	
WITH MANUAL HYDRAULIC VALVE (4/2014 →) .....	9-24
ARMREST ASSEMBLY	
MINI-LEVER MODULES - SEMI-SUSPENSION SEAT WITH HIP RESTRAINTS .....	1-24
MINI-LEVER MODULES .....	1-26
AUDIBLE ALARM KITS .....	14-3
AUXILIARY HOSES .....	9-64
AUXILIARY TUBE EXTENSION KIT .....	14-8
AUXILIARY TUBE EXTENSIONS	
THREE STAGE FULL FREE-LIFT - WITHOUT QUICK DISCONNECT FITTINGS .....	12-42
THREE STAGE FULL FREE-LIFT - MANUAL HYDRAULICS WITH QUICK DISCONNECT FITTINGS .....	12-44
THREE STAGE FULL FREE-LIFT - E-HYDRAULICS WITH QUICK DISCONNECT FITTINGS .....	12-46
TWO STAGE FULL FREE- LIFT - WITHOUT QUICK DISCONNECT FITTINGS .....	11-28
TWO STAGE FULL FREE- LIFT - MANUAL HYDRAULICS WITH QUICK DISCONNECT FITTINGS .....	11-30
TWO STAGE FULL FREE- LIFT - E-HYDRAULICS WITH QUICK DISCONNECT FITTINGS .....	11-32
TWO STAGE LIMITED FREE LIFT - WITHOUT QUICK DISCONNECT FITTINGS .....	10-26
TWO STAGE LIMITED FREE LIFT - MANUAL HYDRAULICS WITH QUICK DISCONNECT FITTINGS .....	10-28
TWO STAGE LIMITED FREE LIFT - E-HYDRAULICS WITH QUICK DISCONNECT FITTINGS .....	10-30
<b>B</b>	
BACK-UP ALARM	
OVERHEAD GUARD MOUNTED .....	13-10
BATTERY CABLES	
GM 4.3L GASOLINE AND LPG .....	4-26
BOLT-ON FENDERS .....	13-2
BRAKE BUZZER .....	4-38
BRAKE COOLING SYSTEM	
DANA WET BRAKE .....	8-2
BRAKE LINKAGE	
DUAL PEDAL - WET BRAKE .....	8-10
DUAL PEDAL WET BRAKE - ALTERNATE OPTION .....	8-14
SINGLE PEDAL - WET BRAKE .....	8-4
SINGLE PEDAL WET BRAKE - ALTERNATE OPTION .....	8-6

## TABLE OF CONTENTS (continued)

DESCRIPTION	PAGE
BRAKE MASTER CYLINDER ASSEMBLY .....	8-20
<b>C</b>	
CAMSHAFT AND OIL PAN	
GM 4.3L GASOLINE AND LPG - PSI OPTION .....	2-36
CARRIAGE	
THREE STAGE FULL FREE-LIFT .....	12-40
TWO STAGE FULL FREE-LIFT - S80-120FT .....	11-26
TWO STAGE LIMITED FREE-LIFT .....	10-24
CONVERSION KIT	
COOLING SYSTEM	
RADIATOR WITH OIL COOLER .....	2-4
RADIATOR WITH INTERNAL OIL COOLER .....	2-2
COUNTERWEIGHT .....	1-9
COWL ELECTRICAL .....	4-4
COWL MOUNT .....	1-8
CRANKSHAFT PULLEY	
GM 4.3L LPG AND GASOLINE - PSI OPTION .....	2-34
CYLINDER BLOCK	
GM 4.3L, GASOLINE AND LPG .....	2-28
CYLINDER HEAD	
GM 4.3L, GASOLINE AND LPG .....	2-30
<b>D</b>	
DIFFERENTIAL	
WET BRAKE (DANA) .....	6-22
DIFFERENTIAL ASSEMBLY	
WET BRAKE (NMHG) .....	6-12
DISTRIBUTOR AND COIL	
GM 4.3L LPG AND GASOLINE - PSI OPTION .....	2-45
DISTRIBUTOR ASSEMBLY .....	4-28
DRIVE AXLE AND ATTACHING PARTS	
WET BRAKE (DANA) .....	6-16
DRIVE AXLE ASSEMBLY	
WET BRAKE (NMHG) - PAGE 1 OF 3 .....	6-2
WET BRAKE (NMHG) - PAGE 2 OF 3 .....	6-6
WET BRAKE (NMHG) - PAGE 3 OF 3 .....	6-10
DRIVE AXLE HOUSING AND HUB	
WET BRAKE (DANA) .....	6-18
DRIVE TIRE AND WHEEL .....	6-28
DUAL HYDRAULIC TANKS SUPPLY AND RETURN	
LPG ONLY (4/2014 →) .....	9-4
DUAL MIRRORS	
WITHOUT CAB .....	13-6
<b>E</b>	
E-HYDRAULIC CONTROL CONVERSION KITS .....	14-4
ELECTRICAL MOUNTING PLATE	
GM 4.3L LPG - PSI OPTION .....	2-24

**TABLE OF CONTENTS (continued)**

<b>DESCRIPTION</b>	<b>PAGE</b>
ELECTRICAL MOUNTING PLATE AND LIFTING EYE	
GM 4.3L GASOLINE - PSI OPTION .....	2-26
ELECTRICAL SYSTEM	
ENGINE, GM 4.3L, GS AND LPG .....	4-22
LOAD WEIGH .....	4-36
MAST .....	4-47
RIGHT HAND CHASSIS .....	4-6
ENGINE ASSEMBLY	
GASOLINE - PSI .....	2-22
LPG - PSI .....	2-20
ENGINE CONTROL MODULE AND SENSORS	
GM 4.3L LPG .....	4-16
GM 4.3L GASOLINE .....	4-14
ENGINE ELECTRICAL SYSTEM	
GM 4.3L GASOLINE AND LPG .....	4-10
ENGINE MOUNT	
GM 4.3L, GASOLINE AND LPG .....	2-18
EXHAUST MANIFOLDS	
GM 4.3L LPG AND GASOLINE - PSI OPTION .....	2-42
EXHAUST SYSTEM	
GM 4.3L GASOLINE AND LPG - WITH CATALYTIC CONVERTER .....	2-8
EXHAUST WRAPS	
GM 4.3L, GASOLINE AND LPG .....	2-10
<b>F</b>	
FAN ASSEMBLY	
GM 4.3L, GASOLINE AND LPG - PSI OPTION .....	2-14
FAN MOUNT ASSEMBLY	
GM 4.3L LPG AND GASOLINE - PSI OPTION .....	2-12
FIRE EXTINGUISHER .....	13-8
FLOOR PLATES AND COVERS .....	1-2
FLYWHEEL AND HOUSING	
GM 4.3L, GASOLINE AND LPG .....	2-16
FORK	
POLISHED WITH FULL BOTTOM TAPER HOOK TYPE .....	1-32
STANDARD TAPER HOOK TYPE - CLASS III .....	1-28
STANDARD TAPER HOOK TYPE - CLASS IV .....	1-29
FORKS WITH LATCH	
POLISHED WITH FULL BOTTOM TAPER - OPTIONAL .....	1-33
STANDARD TAPER - OPTIONAL .....	1-30
FORWARD CLUTCH	
SINGLE SPEED TRANSMISSION .....	5-16
FORWARD CLUTCH, HIGH	
DUAL SPEED TRANSMISSION .....	5-30
FORWARD CLUTCH, LOW	
DUAL SPEED TRANSMISSION .....	5-28
FREE-LIFT	
THREE STAGE FULL FREE-LIFT (→ 12/2012) .....	12-24
THREE STAGE FULL FREE-LIFT (1/2013 →) .....	12-28



## TABLE OF CONTENTS (continued)

DESCRIPTION	PAGE
FREE-LIFT CYLINDER	
THREE STAGE FULL FREE LIFT .....	12-32
TWO STAGE FULL FREE-LIFT - S80-120FT .....	11-18
FUEL CAP	
GASOLINE .....	3-13
FUEL SENDING UNIT	
GM 4.3L GASOLINE - PSI OPTION .....	3-10
FUEL SUPPLY SYSTEM	
GM 4.3L, LPG - PSI OPTION (→ 4/2014) .....	3-14
GM 4.3L, LPG - PSI (4/2014 →) .....	3-16
FUEL SYSTEM	
GM 4.3L GASOLINE - PSI OPTION .....	3-8
FULL SUSPENSION SEAT	
MANUAL AND ELECTRO-HYDRAULIC — SWIVEL AND NON SWIVEL - SHEET 1 OF 4 .....	1-16
RECLINER AND DAMPER KITS - SHEET 2 OF 4 .....	1-18
SERVICE KITS FOR NON SWIVEL AND SWIVEL - SHEET 3 OF 4 .....	1-20
FULL SUSPENSION SEAT ATTACHING PARTS	
NOT INCLUDED WITH SEAT - SHEET 4 OF 4 .....	1-22
FUSE BOX	
GM 4.3L LPG .....	4-17
POWER DISTRIBUTION MODULE .....	4-8
<b>G</b>	
GEAR PUMP ASSEMBLY .....	9-10
GM LPG REGULATOR DRAIN KIT .....	13-14
<b>H</b>	
HAND LEVERS	
FOUR FUNCTION - WITH DETENTED LEVERS .....	9-18
FOUR FUNCTION - WITHOUT DETENTED LEVERS .....	9-20
THREE FUNCTION - WITH DETENTED LEVERS .....	9-14
THREE FUNCTION - WITHOUT DETENTED LEVERS .....	9-16
HEADER HOSE	
THREE STAGE FULL FREE-LIFT .....	12-36
TWO STAGE FULL FREE-LIFT - S80-120FT .....	11-22
TWO STAGE LIMITED FREE-LIFT .....	10-18
HEADER HOSE CONVERSION KITS	
HOIST HOSE AND ATTACHING PARTS .....	9-67
HOOD ASSEMBLY .....	1-6
HYDRAULIC BREATHER .....	9-12
HYDRAULIC CONTROL VALVE (ELECTRO-HYDRAULIC)	
ASSEMBLY - THREE FUNCTION .....	9-42
ASSEMBLY - FOUR AND FIVE FUNCTION .....	9-44
AUXILIARY ONE SECTION - THREE, FOUR AND FIVE FUNCTION .....	9-52
AUXILIARY TWO SECTION - FOUR AND FIVE FUNCTION .....	9-54
LIFT AND LOWER - THREE, FOUR, AND FIVE FUNCTION .....	9-46
OUTLET SECTION - THREE, FOUR AND FIVE FUNCTION .....	9-56
THREE, FOUR AND FIVE FUNCTION - POPPET VALVES .....	9-48
TILT SECTION - THREE, FOUR, AND FIVE FUNCTION .....	9-50

**TABLE OF CONTENTS (continued)**

DESCRIPTION	PAGE
HYDRAULIC CONTROL VALVE (MANUAL)	
AUXILIARY ONE AND TWO SECTION - THREE AND FOUR FUNCTION (→ 4/2014) .....	9-30
AUXILIARY ONE AND TWO SECTION - THREE AND FOUR FUNCTION (4/2014 →) .....	9-38
LIFT AND TILT - THREE AND FOUR FUNCTION (→ 4/2014) .....	9-28
LIFT AND TILT - THREE AND FOUR FUNCTION (4/2014 →) .....	9-36
OUTLET SECTION - THREE AND FOUR FUNCTION (→ 4/2014) .....	9-32
OUTLET SECTION - THREE AND FOUR FUNCTION (4/2014 →) .....	9-40
THREE AND FOUR FUNCTION (→ 4/2014) .....	9-26
THREE AND FOUR FUNCTION (4/2014 →) .....	9-34
HYDRAULIC FILTER .....	9-8
HYDRAULIC SUPPLY AND GEAR PUMP	
SINGLE HYDRAULIC TANK - GASOLINE AND LPG (→ 4/2014 (LPG ONLY(LPG ONLY))) .....	9-7
HYDRAULIC SUPPLY AND RETURN	
SINGLE HYDRAULIC TANK - GASOLINE AND LPG (→ 4/2014 (LPG ONLY)) .....	9-2
<b>I</b>	
IMPACT SENSOR .....	4-44
INNER MAST	
THREE STAGE FULL FREE-LIFT .....	12-10
TWO STAGE LIMITED FREE-LIFT .....	10-4
INNER MAST AND FREE-LIFT	
TWO STAGE FULL FREE-LIFT - S80-120FT (→ 12/2012) .....	11-6
TWO STAGE FULL FREE-LIFT - S80-120FT (1/2013 →) .....	11-10
INSTRUMENT CLUSTER .....	4-39
INTAKE AIR FUEL MODULE	
GM 4.3L GASOLINE - PSI OPTION .....	2-48
INTEGRAL SIDE-SHIFT	
TWO AND THREE STAGE FULL FREE-LIFT - S100-120FT .....	13-40
INTEGRAL SIDE-SHIFT ASSEMBLY	
THREE STAGE FULL FREE-LIFT - S80FT .....	13-36
TWO STAGE FULL FREE-LIFT - S80FT .....	13-30
TWO STAGE LIMITED FREE LIFT CLASS III - ORFS FITTINGS .....	13-20
TWO STAGE LIMITED FREE LIFT CLASS IV - ORFS FITTINGS .....	13-22
INTEGRAL SIDE-SHIFT CARRIAGE	
THREE STAGE FULL FREE-LIFT - 1219 MM (48 IN.) CLASS III .....	13-38
THREE STAGE FULL FREE-LIFT - 1219 MM (48 IN.) CLASS IV .....	13-44
TWO STAGE FULL FREE-LIFT - 1067 MM (42 IN.) CLASS III .....	13-32
TWO STAGE FULL FREE-LIFT - 1219 MM (48 IN.) CLASS III .....	13-34
TWO STAGE FULL FREE-LIFT - 1219 MM (48 IN.) CLASS IV .....	13-42
TWO STAGE LIMITED FREE-LIFT - 1067 MM (42 IN.) CLASS III .....	13-24
TWO STAGE LIMITED FREE-LIFT - 1219 MM (48 IN.) CLASS III .....	13-26
TWO STAGE LIMITED FREE-LIFT - 1219 MM (48 IN.) CLASS IV .....	13-28
INTERMEDIATE MAST	
THREE STAGE FULL FREE-LIFT .....	12-12
<b>L</b>	
LABEL AND PLATE LOCATION	
PAGE 1 OF 2 .....	1-42
PAGE 2 OF 2 .....	1-44

## TABLE OF CONTENTS (continued)

DESCRIPTION	PAGE
<b>LABELS</b>	
HYDRAULIC CONTROL LABELS - CONTROL LEVER .....	1-40
MINI-LEVER MODULES - DUAL FUNCTION .....	1-36
LIGHT KITS .....	14-2
LOAD BACKREST EXTENSION .....	1-34
<b>LPG CONVERTER</b>	
GM 4.3L LPG - PSI OPTION .....	3-20
<b>LPG LOCK OFF</b>	
GM 4.3L - PSI OPTION .....	3-21
<b>LPG REGULATOR AND MIXER</b>	
GM 4.3L - PSI OPTION .....	3-19
<b>LPG TANK BRACKET</b>	
SWING OUT (→ 1/2013) .....	3-22
SWING OUT (1/2013 →) .....	3-26
SWING OUT, DROP DOWN (1/2013 →) .....	3-34
SWING OUT/DROP DOWN (→ 1/2013) .....	3-30
<b>M</b>	
<b>MAIN LIFT</b>	
THREE STAGE FULL FREE-LIFT .....	12-16
TWO STAGE LIMITED FREE-LIFT (→ 12/2012) .....	10-6
TWO STAGE LIMITED FREE-LIFT (1/2013 →) .....	10-10
<b>MAIN LIFT CYLINDER</b>	
THREE STAGE FULL FREE-LIFT .....	12-20
TWO STAGE FULL FREE-LIFT - S80-120FT .....	11-14
TWO STAGE LIMITED FREE-LIFT - S80FT .....	10-14
TWO STAGE LIMITED FREE-LIFT - S100-120FT .....	10-16
MANUAL CONTROL VALVE LOCKOUT GROUP .....	9-22
MANUAL HYDRAULIC CONTROL CONVERSION KITS .....	14-4
<b>MINI LEVER MODULE LABELS</b>	
HYDRAULIC CONTROL FUNCTIONS .....	1-38
<b>MINI-LEVER CONTROLS</b>	
WITH ARMREST - THREE FUNCTION .....	4-30
WITH ARMREST - FOUR FUNCTION .....	4-32
WITH ARMREST - FIVE FUNCTION .....	4-34
<b>MIRROR</b>	
REAR MOUNTED .....	13-7
MISCELLANEOUS .....	14-9
<b>N</b>	
<b>NON SUSPENSION SEAT</b>	
WITHOUT ELECTRONIC CONTROLS - OPTIONAL .....	1-12
<b>O</b>	
<b>OIL PUMP</b>	
GM 4.3L, GASOLINE AND LPG .....	2-50
<b>OUTER MAST</b>	
THREE STAGE FULL FREE-LIFT (→ 12/2012) .....	12-2
THREE STAGE FULL FREE-LIFT (1/2013 →) .....	12-6
TWO STAGE LIMITED FREE-LIFT .....	10-2

**TABLE OF CONTENTS (continued)**

<b>DESCRIPTION</b>	<b>PAGE</b>
OUTER MAST AND MAIN LIFT	
TWO STAGE FULL FREE-LIFT - S80-120FT .....	11-2
OVERHEAD GUARD .....	1-10
<b>P</b>	
PARK BRAKE ASSEMBLY	
MANUAL WITH ONE CABLE - NMHG .....	8-22
MANUAL WITH TWO CABLES - DANA WET BRAKE .....	8-24
PRESSURE REGULATOR .....	13-12
PULLEY AND TENSIONER	
GM 4.3L LPG AND GASOLINE - PSI OPTION .....	2-32
<b>R</b>	
REMOTE KEY SWITCH .....	4-40
REPLACEMENT KITS	
REVERSE CLUTCH	
DUAL SPEED TRANSMISSION .....	5-32
SINGLE SPEED TRANSMISSION .....	5-18
<b>S</b>	
SEALED ALTERNATOR AND MOUNTING .....	4-25
SEAT BELT SWITCH ADAPTER	
4/2014 → .....	4-46
SEAT CONVERSION KITS .....	14-2
SEMI-SUSPENSION SEAT	
WITH AND WITHOUT ELECTRONIC CONTROLS .....	1-14
SPARK PLUGS AND WIRES	
GM 4.3L GASOLINE AND LPG .....	4-12
STARTER	
GM 4.3L .....	4-20
STEER AXLE .....	7-4
STEER CYLINDER .....	7-8
STEER TIRES AND WHEELS .....	7-16
STEERING COLUMN AND ATTACHING PARTS .....	7-10
STEERING COLUMN ASSEMBLY .....	7-12
STEERING CONTROL UNIT .....	7-14
STEERING HOSES	
SINGLE HYDRAULIC TANK - GASOLINE AND LPG (→ 4/2014 (LPG ONLY)) .....	7-2
WITH DUAL HYDRAULIC TANKS (4/2014 → (LPG ONLY(LPG ONLY))) .....	7-3
STROBE LIGHT	
LED .....	13-4
<b>T</b>	
THERMOSTAT AND WATER OUTLET HOUSING	
GM 4.3L GASOLINE - PSI OPTION .....	2-43
GM 4.3L LPG - PSI OPTION .....	2-44
THROTTLE BODY	
GM 4.3L LPG - PSI OPTION .....	3-18
GM 4.3L GASOLINE - PSI OPTION .....	3-12

## TABLE OF CONTENTS (continued)

DESCRIPTION	PAGE
THROTTLE PEDAL ASSEMBLY AND ATTACHING PARTS	
MONOTROL .....	3-40
STANDARD PEDAL .....	3-38
TILT HOSES .....	9-62
TILT CYLINDER .....	9-60
TILT CYLINDER INSTALLATION .....	9-58
TORQUE CONVERTER	
GM 4.3L .....	5-7
TRANSMISSION	
DUAL SPEED - TWO PIECE HOUSING .....	5-20
DUAL SPEED - SECTION 1 OF 2 .....	5-22
DUAL SPEED - SECTION 2 OF 2 .....	5-24
SINGLE SPEED - TWO PIECE HOUSING .....	5-8
SINGLE SPEED - SECTION 1 OF 2 .....	5-9
SINGLE SPEED - SECTION 2 OF 2 .....	5-12
TRANSMISSION CONTROL VALVE ASSEMBLY .....	5-27
TRANSMISSION COOLING	
WITH EXTERNAL OIL COOLER .....	5-4
WITH INTERNAL OIL COOLER .....	5-2
TRANSMISSION HARNESS GROUP	
WITH AND WITHOUT BRAKE TEMP .....	4-48
TRANSMISSION MOUNT .....	5-6
<b>V</b>	
VALVE COVER AND INLET MANIFOLD	
GM 4.3L GASOLINE AND LPG - PSI OPTION .....	2-40
VENT LINE GROUP	
SINGLE HYDRAULIC TANK - GASOLINE AND LPG (→ 4/2014 (LPG ONLY(LPG ONLY))) .....	9-66
<b>W</b>	
WATER BYPASS	
GM 4.3L GASOLINE - PSI OPTION .....	2-46
WET BRAKE ASSEMBLY	
NMHG .....	6-14
WET BRAKE BOOSTER HYDRAULICS	
NMHG .....	8-18
WET BRAKES	
(DANA) .....	6-26
WIRE HARNESS	
ELECTRONIC CONTROL VALVE - FOUR FUNCTION .....	4-54
ELECTRONIC CONTROL VALVE - THREE FUNCTION .....	4-56
ELECTRONIC CONTROL VALVE - FIVE FUNCTION .....	4-58
LEFT HAND CHASSIS - GM 4.3L LPG (WITHOUT PREMIUM LOW FUEL SENSOR) .....	4-94
LEFT HAND CHASSIS - GM 4.3L LPG (WITH PREMIUM LOW FUEL SENSOR) .....	4-96
LIGHTS .....	4-90
LOW FUEL SENSOR .....	4-98
RH CHASSIS (→ 4/2014) .....	4-60
RH CHASSIS (4/2014 →) .....	4-66
RH CHASSIS - WITH SEAT BELT SEQUENCE MODULE .....	4-72

**TABLE OF CONTENTS (continued)**

<b>DESCRIPTION</b>	<b>PAGE</b>
SEALED ALTERNATOR - GM 4.3L .....	4-92
TRANSMISSION - SINGLE SPEED .....	4-86
TRANSMISSION - DUAL SPEED .....	4-88
WIRE HARNESS (ENGINE)	
GM 4.3L, LPG - PSI OPTION .....	4-50
WIRE HARNESS WITH BRAKE TEMP	
TRANSMISSION - SINGLE SPEED .....	4-78
TRANSMISSION - TWO SPEED .....	4-82
WIRE HARNESS-COWL	
ELECTRO-HYDRAULICS WITH FORWARD/REVERSE - WITH HYDRAULIC PUMP SOLENOID .....	4-104
ELECTRO-HYDRAULICS WITH MONOTROL PEDAL - WITH HYDRAULIC PUMP SOLENOID .....	4-100
MANUAL HYDRAULICS WITH FORWARD/REVERSE - WITH HYDRAULIC PUMP SOLENOID .....	4-112
MANUAL HYDRAULICS WITH MONOTROL PEDAL - WITH HYDRAULIC PUMP SOLENOID .....	4-108
WORK, REAR DRIVE, AND BRAKE/TAIL LIGHTS .....	4-41

**ABBREVIATIONS QUICK REFERENCE SHEET**

Listed below are abbreviations used in parts manuals to denote the following expressions:

<b>TERM</b>	<b>DEFINITION</b>	<b>TERM</b>	<b>DEFINITION</b>
Amp	Amperes	FRE	Freezer Environment
AR	As Required	in.	inches
BDI	Battery Discharge Indicators	LPG	Liquefied Petroleum Gas
BWI	Brush Wear Indicator	MAP	Manifold Absolute Pressure
CE	Communicator End	mm	millimeters
CRE	Corrosive Environment	MSTS	Microprocessor Spark Timing System
D/B	Date Break	NPT	National Pipe Threads
dbA	Decibel "A" Scale	O/S	Oversize
DE	Drive End	PTO	Power Take Off
ECH	Empty Container Handler	RPM	Revolutions per Minute
ECH-3	Empty Container Handler - 3 High Stacking	S/N	Serial Number
ECH-4	Empty Container Handler - 4 High Stacking	TMM	Truck Management Module
ECH-5	Empty Container Handler - 5 High Stacking	UL Type D	Diesel-Powered Safety Rating
ECH-6	Empty Container Handler - 6 High Stacking	UL Type DS	Diesel-Powered Safety Rating
ECH-7	Empty Container Handler - 7 High Stacking	UL Type E	Battery-Powered Safety Rating
ECM	Electronic Control Module	UL Type EE	Battery-Powered Safety Rating
ECN	Engineering Change Notice	UL Type ES	Battery-Powered Safety Rating
EEPROM	Electrically Erasable Programmable Read Only Memory	UL Type G	Gasoline-Powered Safety Rating
EPA	US Environmental Protection Agency	UL Type GS	Gasoline-Powered Safety Rating
EPROM	Electrically Programmable Read Only Memory	UL Type LP	Gas-Powered Safety Rating
		UL Type LPS	LP Gas-Powered Safety Rating
		U/S	Undersize
		UL	Underwriters Laboratory
		V	Volts

## HOW TO USE THE ILLUSTRATED PARTS MANUAL

This parts manual describes and illustrates assemblies, subassemblies, and detail parts needed for service replacement.

The different constructions are indicated by keys and footnotes. The callouts correspond to descriptions found on the next page.

**HYSTER** UNIT CODE D001 NORTH AMERICA 06/2001

**TABLE OF CONTENTS**

DESCRIPTION	PAGE
AIR INTAKE AND FILTER DIESEL (→ D/B 11/98).....	3-22
AIR INTAKE AND FILTER DIESEL (D/B 11/96 →).....	
AIR INTAKE AND FILTER GASOLINE AND LPG.....	
ALTERNATOR GASOLINE, LPG, AND DIESEL.....	
ALTERNATOR TYPES GS, LPS, AND DS.....	
AUXILIARY FUNCTION TUBE TWO AND THREE STAGE FULL F.....	

**SECTION 13 NUMERICAL INDEX**

PART NO.	PAGE NO.	ITEM NO.	PART NO.	PAGE NO.	ITEM NO.	PART NO.	PAGE NO.	ITEM NO.	PART NO.	PAGE NO.	ITEM NO.
142	3-4	19	10-13	25	11-27	29	12-31	12	16719	3-36	5
12445	3-32	19	10-17	6	11-31	25	16751	3-16	16849	3-34	21
	3-34	1	10-27	11	11-32	37	16849	3-36	16849	3-36	20
			11-11	6	8-4	29	16863	3-28	16863	3-28	17
			11-21	11	8-4	45	16865	3-6	16865	3-6	18
			12	6	9-7	9	16882	4-27	16882	4-27	41
			3	17	9-7	19		9-7		9-7	30
			9	10	9-11	9		9-11		9-11	27
			23	46	9-11	17		10-10		10-10	36
			27	46	10-9	21		10-13		10-13	32
			26	14	10-9	28		11-7		11-7	24
			28	14	10-13	16		11-9		11-9	17
			50	14	11-7	19					

**SECTIONS**

- 1
- 2
- 3
- 4
- 5 BRAKE/ACC
- 6
- 7 MAST-TWO STAG
- 8 MAST-THREE ST
- 9 MAST-TWO ST
- 10
- 11

**TRANSMISSION HOUSING** S/N D001H-2628

KEY:  
A: Diesel  
B: Gasoline and LPG

ITEM	PART NO.	DESCRIPTION	QTY	
			A	B
		Transmission	1	1
	2022547	Transmission	1	1
	2023329	Case	2	2
1	2021670	Bearing Cap	4	4
2	2023418	Washer	1	1
3	296429	Bolt	2	2
4	293947	Cover	2	2
5	2021390	Colter Pin	4	4
6	1371656	O-Ring	1	1
7	2021329	Plug	4	4
8	2021915	Housing	22	22
9	2021675	Pin	39	39
10	2021336	Bolt	1	1
11	287860	Lockwasher	1	1
12	292682	Hydraulic Pump	1	1
13		Figure 5-3	8	8
14	2021345	Gasket	1	1
15	214364	Bolt	1	1
16	296418	Washer	1	1
17	2021388	Temperature Switch	1	1
18	2021389	Breather	9	9
19	2021383	Dipstick	9	9
20	292515	Bolt	2	2
21	136692	Nut	3	3
22	292527	Bolt	3	2
23	292531	Capscrew	4	4
24	292583	Lockwasher	4	4
25	293637	Bolt	4	4
26	296420	Washer	1	1
	996403	Transmission Kit (Includes Item 7)	1	1
	996405	Transmission Kit (Includes Item 14)	1	1

This Parts Manual is divided into 11 major sections which are listed above. Quick be made by placing the right thumb on the tab of the desired section, bending the pages to the corresponding tab.

© Copy Right Date HYSTER COMPANY See Service Manual for service procedures. 5-15



## HOW TO FIND THE DESIRED PART NUMBER

### WHEN THE PART NUMBER AND THE NEXT HIGHER ASSEMBLY IS NOT KNOWN:

1. Determine the function and application of the part required. Turn to the Sections Page. Choose the general area of reference most likely to include the part.
2. Turn to the section you chose. Use the Section Table of Contents to determine the assembly which would normally contain the part required. Then locate the part on the assembly breakdown page.

### WHEN THE PART NUMBER IS NOT KNOWN AND THE NEXT HIGHER ASSEMBLY IS KNOWN:

3. Determine the assembly the required part is used on. Turn to the Table of Contents (Page i).
4. Locate the assembly the required part is used on and turn to the page indicated for that assembly. Then locate the part on the assembly breakdown page.

### WHEN THE PART NUMBER IS KNOWN:

5. Use the Numerical Index (Page 15-1) to find the part number. Turn to the page listed and locate the part as indicated by the item number.

### GENERAL:

The assembly breakdowns include part numbers, descriptions, quantities required, keys and footnotes to help in selecting correct parts.

6. Parts Supersession Information. Part numbers that have this history will be displayed in the parts list in the order that they were superseded (from oldest to newest). The superseded part numbers will be shown with a line through them.

Five periods in the PART NO. column (. . . . .) indicate that the part is either *Not Serviced Separately* or there is a reference to another figure. A figure reference is denoted by a pointing hand followed by a figure number in the DESCRIPTION column (☞ Figure 10)

7. Keys are used to show two or more similar assemblies, RH and LH assembly parts, etc. Select the appropriate key, "A", "B", "C", "D", or "E" and the corresponding quantity column to find the required parts. Two periods in the QTY column (..) indicate that the part is not used for that assembly.
8. Indented descriptions under the DESCRIPTION column are used to indicate assemblies and

subparts of assemblies. In the example on the previous page, *BEARING CAP* (Item 2) is a subpart of the major assembly *CASE*.

9. Quantities shown are for one assembly. The quantities of the subpart *BEARING CAP* are indicated as two and two. This means two per *CASE* assembly.
10. Serial number breaks identify the most current parts information and are shown as follows:
  - **S/N D001H2628**  
Indicates last serial number affected.
  - S/N D001H2629** →  
Indicates the first serial number affected.
  - S/N D001H1553** ↔ **S/N D001H3291**  
Indicates a range of serial numbers affected.

ECN numbers for pending serial numbers are shown to allow for the inclusion of the most current parts information and are identified as follows:

- **S/N Pending Per ECN 63243**  
Indicates a pending serial number for last unit affected.
- S/N Pending Per ECN 63243** →  
Indicates a pending serial number for first unit affected.

Date breaks are used to indicate when a change occurred but a subsequent serial number break was not recorded. This is an arbitrary date usually based on the ECN release and are identified as follows:

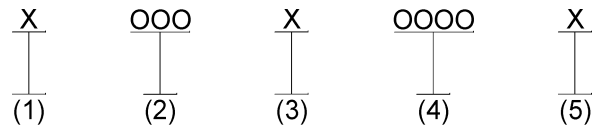
- **D/B 3/00**  
Indicates that a change occurred sometime within that month for the item affected.
- D/B 3/00** →  
Indicates that a change occurred sometime within that month for the item affected.
- D/B 3/00** ↔ **D/B 4/00**  
Indicates a range of production dates of the item affected.

Contact your local dealer for Hyster lift trucks for serial number information for items with a ECN or a date break.

### ORDERING PARTS:

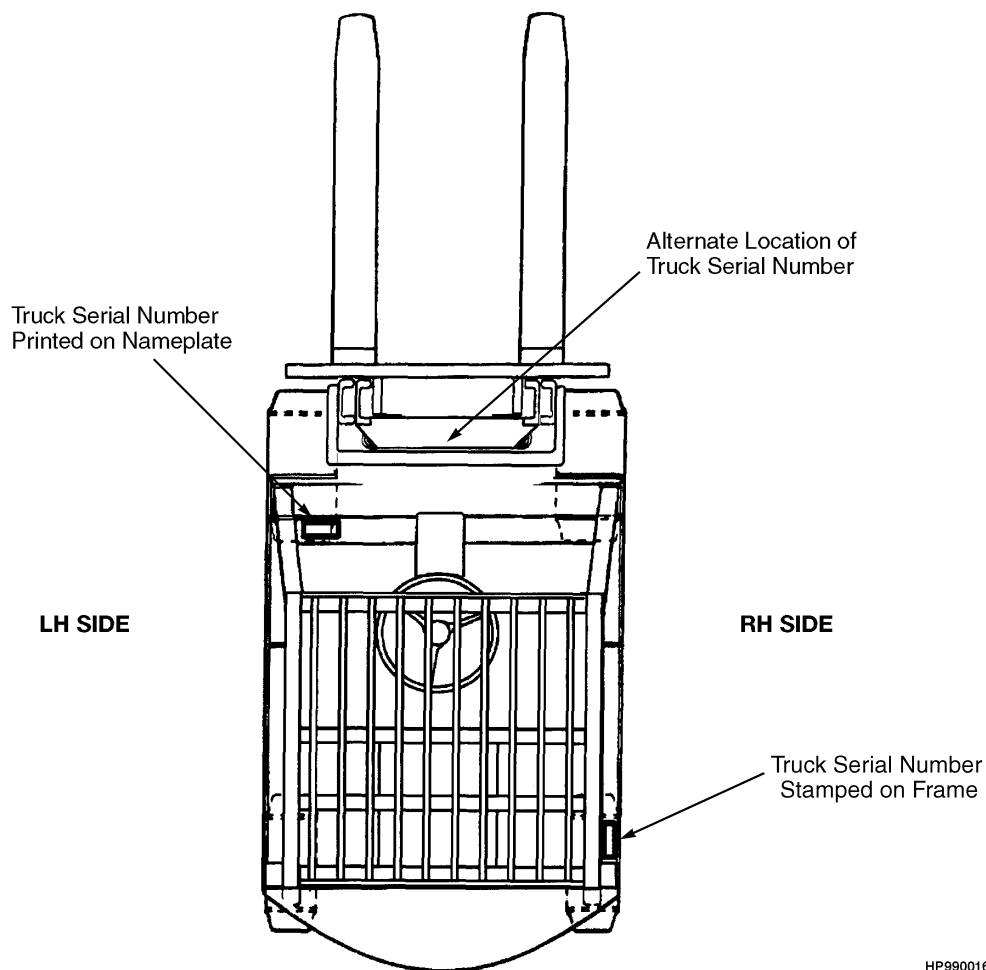
When ordering replacement parts, give the unit serial number, part number, name of part and quantity required.

For any further information on parts, service, or ordering, consult your local dealer for Hyster lift trucks.

**IDENTIFICATION OF TRUCK SERIAL NUMBERS**

- (1) and (2) The first letter and three numbers indicate the truck unit code.
- (3) The second letter indicates the plant of manufacture.
- (4) The four or five digit number indicates the production sequence number of the truck.
- (5) The final letter indicates the year of manufacture starting with "A" in 1957, 1980, and 2003. The letters "I", "O", and "Q" will not be used.

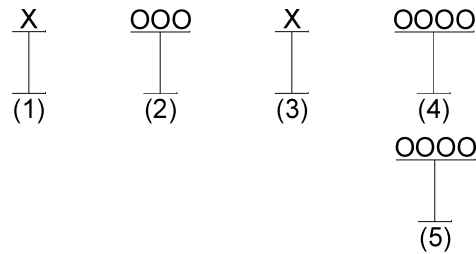
For pending serial numbers contact your local dealer for Hyster lift trucks.



HP990016

Parts referred to in this book as right or left hand parts are in accordance with the illustration above.

## IDENTIFICATION OF MAST SERIAL NUMBERS



- (1) and (2) The first letter and number indicates the mast unit code.
- (3) The second letter indicates the plant of manufacture.
- (4) The four or five digit number indicates the production sequence number of the mast.
- (5) Carriage travel in millimeters stamped just below the serial number.

Mast Group identification consists of mast unit code (1) and (2) plus carriage travel (5).

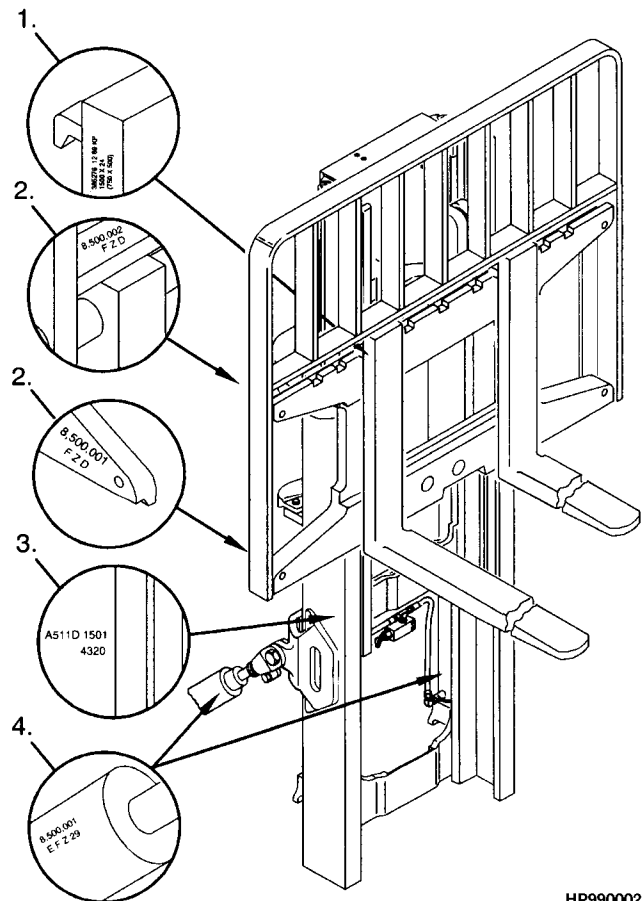
For pending production sequence numbers contact your local dealer for Hyster lift trucks.

## LIFT EQUIPMENT IDENTIFICATION

1. Fork part number, capacity rating, plant code letter, and date of manufacture are stamped approximately six inches below the top of most forks.
2. The carriage group number is stamped on the right hand side of the top crossmember (pin type) or on the back of the right hand end of the bottom crossmember (hook type). A date code has two letters in line with or below the carriage group number.
3. The mast identification number has a unit code, a letter indicating the plant of manufacture, and a serial number. Underneath the production sequence number is a four digit number that indicates the carriage travel in millimeters.
4. Tilt and lift cylinder group numbers are stamped on the cylinder shell.

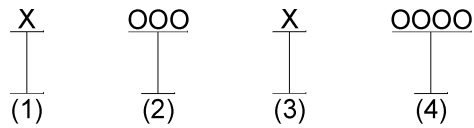
Always refer to the group, serial, or part number when ordering service parts.

Modification of masts and carriages by SPED (Special Products Engineering Department) are identified by a model prefix code beginning with the letter "S". contact your dealer for Hyster lift trucks for information on these assemblies.

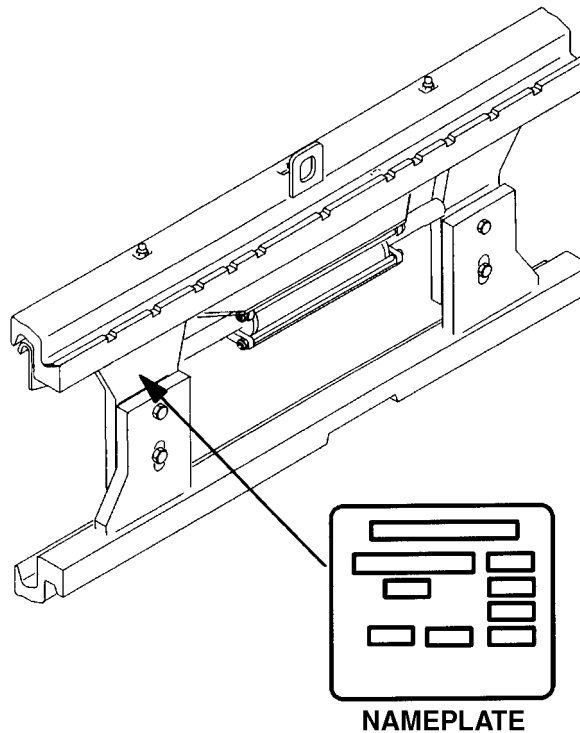


HP990002

## IDENTIFICATION OF ATTACHMENT AND SIDE-SHIFT CARRIAGE SERIAL NUMBERS



- (1) and (2) The first letter and three numbers indicate the attachment unit code.
- (3) The second letter indicates the plant of manufacture.
- (4) The four or five digit number indicates the production sequence number.
- For pending production sequence numbers contact your local dealer for Hyster lift trucks.



HP990003

Side-shift carriages and attachments have nameplates. Use the serial number found on the nameplate to identify the attachment.

Always refer to the group, serial, or part number when ordering service parts.

Modifications of attachments and side-shift carriages by SPED (Special Products Engineering Department) are identified by a model prefix code beginning with the letter "S". Contact your dealer for Hyster lift trucks for information on these assemblies.