

# **PARTS MANUAL**

---

**S30FT, S35FT, S40FTS  
(F010)**

**CUSTOMER EDITION**

---

***HYSTER***



**SECTIONS**

<b>1</b>	<b>FRAME</b>
<b>2</b>	<b>ENGINE ASSEMBLY-PSI</b>
<b>3</b>	<b>FUEL SYSTEM</b>
<b>4</b>	<b>ELECTRICAL SYSTEM</b>
<b>5</b>	<b>TRANSMISSION</b>
<b>6</b>	<b>DRIVE AXLE</b>
<b>7</b>	<b>STEERING SYSTEM</b>
<b>8</b>	<b>BRAKE SYSTEM</b>
<b>9</b>	<b>HYDRAULIC SYSTEM</b>
<b>10</b>	<b>MAST-TWO STAGE LIMITED FREE-LIFT</b>
<b>11</b>	<b>MAST-TWO STAGE FULL FREE-LIFT</b>
<b>12</b>	<b>MAST-THREE STAGE FULL FREE-LIFT</b>
<b>13</b>	<b>OPTIONS</b>
<b>14</b>	<b>FIELD CONVERSION KITS</b>
<b>15</b>	<b>NUMERICAL INDEX</b>

This Parts Manual is divided into 15 major sections which are listed above. Quick reference to these sections can be made by placing the right thumb on the tab of the desired section, bending the book back and thumbing the pages to the corresponding tab.



**Thanks very much for your reading,  
Want to get more information,  
Please click here, Then get the complete  
manual**

**JustClickHere** 

**NOTE:**

**If there is no response to click on the link above,  
please download the PDF document first, and then  
click on it.**

**Have any questions please write to me:  
[admin@servicemanualperfect.com](mailto:admin@servicemanualperfect.com)**

**TABLE OF CONTENTS**

<b>DESCRIPTION</b>	<b>PAGE</b>
<b>A</b>	
ACCUMULATOR	
MAST LOAD DAMPENING .....	13-2
ADD-ON OPTION KITS	
ADD-ON OPTIONS	
ADD-ON TELEMETRY KITS .....	14-3
AIR INTAKE SYSTEM	
AIR FILTER ASSEMBLY .....	3-5
PRE-CLEANER AND DUCT .....	3-4
PSI .....	3-2
ARMREST ASSEMBLY	
MINI-LEVER MODULES .....	1-20
AUDIBLE ALARM KITS .....	14-3
AUXILIARY SECTION, ONE AND TWO	
MANUAL CONTROL VALVE - THREE AND FOUR FUNCTION .....	9-30
AUXILIARY TUBE EXTENSION KITS	
AUXILIARY TUBE EXTENSIONS	
TWO STAGE FULL FREE-LIFT AND THREE STAGE FULL FREE-LIFT .....	13-6
TWO STAGE LIMITED FREE-LIFT .....	13-4
<b>B</b>	
BACK-UP ALARM .....	13-8
BALANCER .....	2-12
BRAKE ASSEMBLY .....	8-8
BRAKE LINKAGE	
DUAL PEDAL .....	8-4
SINGLE PEDAL .....	8-2
<b>C</b>	
CAMSHAFT AND VALVES .....	2-14
CARRIAGE	
THREE STAGE FULL FREE-LIFT .....	12-22
TWO STAGE FULL FREE-LIFT .....	11-18
TWO STAGE LIMITED FREE-LIFT .....	10-16
CHARGE PUMP ASSEMBLY .....	5-18
CONTROL VALVE ASSEMBLY	
MANUAL CONTROL - THREE AND FOUR FUNCTION .....	9-26
CONTROL VALVE LOCKOUT GROUP	
MANUAL CONTROL VALVE .....	9-24
CONVERSION KITS	
COOLING SYSTEM	
2.4L PSI ENGINE .....	2-4
COUNTER/REVERSE CLUTCH	
SINGLE SPEED TRANSMISSION .....	5-16
COUNTERWEIGHT .....	1-2
COWL ELECTRICAL	
ELECTRO-HYDRAULIC .....	4-10
MANUAL HYDRAULIC .....	4-12
COWL MOUNTING .....	1-26

**TABLE OF CONTENTS (continued)**

<b>DESCRIPTION</b>	<b>PAGE</b>
CYLINDER BLOCK .....	2-16
CYLINDER HEAD .....	2-18
<b>D</b>	
DCR COOLANT CIRCUIT .....	2-20
DIPSTICK .....	2-21
DRIVE AXLE	
SHEET 1 OF 3 .....	6-4
SHEET 2 OF 3 .....	6-6
SHEET 3 OF 3 .....	6-8
DRIVE AXLE AND ATTACHING PARTS .....	6-2
DRIVE TIRES AND WHEELS	
LUG TREAD .....	6-11
SMOOTH .....	6-10
<b>E</b>	
ECM MOUNT .....	2-22
ELECTRICAL SYSTEM	
CHASSIS .....	4-2
ENGINE ELECTRICAL SYSTEM	
SENSORS AND ECM .....	2-8
ENGINE HARNESS	
(2.0L LPG) (PSI) .....	4-26
ENGINE MOUNTING .....	2-10
EXHAUST	
WITH CATALYTIC CONVERTER .....	2-2
EXHAUST ADAPTER .....	2-23
EXHAUST MANIFOLD .....	2-24
<b>F</b>	
FENDER EXTENSIONS	
WITH WIDE TREAD .....	1-27
FIRE EXTINGUISHER .....	13-10
FLOORPLATES AND COVERS .....	1-24
FORK POSITIONER ASSEMBLY .....	13-22
FORKS .....	1-30
BOLZONI OPTIONAL .....	1-31
FREE-LIFT	
THREE STAGE FULL FREE-LIFT .....	12-12
TWO STAGE FULL FREE-LIFT .....	11-8
FREE-LIFT CYLINDER	
THREE STAGE FULL FREE-LIFT .....	12-18
TWO STAGE FULL FREE-LIFT .....	11-16
FRONT COVER AND OIL PAN .....	2-26
FRONT END AUXILIARY DRIVE	
2.0L LPG .....	2-28
FUEL REGULATING SYSTEM .....	2-30
FUEL SYSTEM	
PSI LPG - WITH LOW FUEL SENSOR .....	3-6
PSI LPG - WITHOUT LOW FUEL SENSOR .....	3-7

**TABLE OF CONTENTS (continued)**

DESCRIPTION	PAGE
<b>G</b>	
GEAR PUMP .....	9-4
<b>H</b>	
HAND LEVERS	
FOUR FUNCTION - WITHOUT DETENTED LEVERS .....	9-18
FOUR FUNCTION - WITH DETENTED LEVERS .....	9-20
THREE FUNCTION - WITHOUT DETENTED LEVERS .....	9-14
THREE FUNCTION - WITH DETENTED LEVERS .....	9-16
HEADER HOSE	
THREE STAGE FULL FREE-LIFT .....	12-20
TWO STAGE FULL FREE- LIFT .....	11-20
HEADER HOSE CONVERSION KITS	
HEADER HOSES	
TWO STAGE LIMITED FREE-LIFT .....	10-14
HOOD .....	1-22
HYDRAULIC CONTROL VALVE	
ELECTRO HYDRAULIC POPPET VALVE - HOIST AND LOWER .....	9-38
ELECTRONIC CONTROL - THREE AND FOUR FUNCTION .....	9-34
ELECTRONIC VALVE AUXILIARY ONE SECTION - THREE AND FOUR FUNCTION .....	9-42
ELECTRONIC VALVE AUXILIARY TWO SECTION - FOUR FUNCTION .....	9-44
ELECTRONIC VALVE OUTLET SECTION .....	9-46
ELECTRONIC VALVE TILT SECTION - THREE AND FOUR FUNCTION .....	9-40
HYDRAULIC FILTER .....	9-6
HYDRAULIC SUPPLY AND RETURN .....	9-2
<b>I</b>	
IGNITION COIL .....	2-32
IMPACT SENSOR .....	4-18
INLET HOUSING .....	2-34
INNER MAST	
THREE STAGE FULL FREE-LIFT .....	12-6
TWO STAGE FULL FREE-LIFT .....	11-4
TWO STAGE LIMITED FREE-LIFT .....	10-4
INPUT/FORWARD CLUTCH	
SINGLE SPEED TRANSMISSION .....	5-14
INSTRUMENT CLUSTER .....	4-14
INTAKE MANIFOLD	
LPG .....	2-36
INTEGRAL SIDE-SHIFT	
FORK POSITIONER - THREE STAGE FULL FREE-LIFT .....	13-20
INTEGRAL SIDE-SHIFT ASSEMBLY	
TWO STAGE FULL FREE-LIFT AND THREE STAGE FULL FREE-LIFT .....	13-14
TWO STAGE LIMITED FREE-LIFT .....	13-12
INTEGRAL SIDE-SHIFT CYLINDER .....	13-16
INTEGRAL SIDE-SHIFT HYDRAULIC HOSES	
TWO STAGE FULL FREE-LIFT AND THREE STAGE FULL FREE-LIFT .....	13-18
TWO STAGE LIMITED FREE-LIFT .....	13-17



**TABLE OF CONTENTS (continued)**

<b>DESCRIPTION</b>	<b>PAGE</b>
INTERMEDIATE MAST THREE STAGE FULL FREE-LIFT .....	12-4
<b>L</b>	
LABELS	
EXTERIOR .....	1-34
HYDRAULIC CONTROL LABELS - CONTROL LEVER .....	1-36
INTERIOR .....	1-32
LIGHTS	
WORK, REAR DRIVE, AND BRAKE/TAIL .....	4-24
LOAD BACKREST EXTENSION .....	1-28
LOCK-OFF VALVE .....	2-38
LPG TANK BRACKET SWING OUT .....	3-8
<b>M</b>	
MAIN LIFT	
THREE STAGE FULL FREE-LIFT .....	12-8
TWO STAGE FULL FREE-LIFT .....	11-6
TWO STAGE LIMITED FREE-LIFT .....	10-6
MAIN LIFT CYLINDER	
LEFT HAND - TWO STAGE LIMITED FREE-LIFT .....	10-12
LEFT HAND - TWO STAGE FULL FREE-LIFT .....	11-14
RIGHT HAND - TWO STAGE LIMITED FREE-LIFT .....	10-10
RIGHT HAND - TWO STAGE FULL FREE-LIFT .....	11-12
THREE STAGE FULL FREE-LIFT - RIGHT HAND .....	12-14
THREE STAGE FULL FREE-LIFT - LEFT HAND .....	12-16
MANUAL VALVE ANTI STALL GROUP .....	9-22
MAST ELECTRICAL	
TILT SENSOR .....	4-8
MASTER CYLINDER .....	8-6
MINI LEVER MODULE LABELS	
HYDRAULIC CONTROL FUNCTIONS .....	1-38
MINI-LEVER CONTROLS	
WITH ARMREST - FOUR FUNCTION .....	4-20
WITH ARMREST - THREE FUNCTION .....	4-22
MIRRORS .....	13-24
MISCELLANEOUS ADD-ON OPTION KITS .....	14-4
MISCELLANEOUS CONVERSION KITS .....	14-2
MIXER/EPR AND PCV AIR HOSES LPG .....	2-40
<b>O</b>	
OIL PUMP AND ATTACHING PARTS .....	2-42
OUTER MAST	
THREE STAGE FULL FREE-LIFT .....	12-2
TWO STAGE FULL FREE-LIFT .....	11-2
TWO STAGE LIMITED FREE-LIFT .....	10-2
OUTLET SECTION	
MANUAL CONTROL VALVE - THREE AND FOUR FUNCTION .....	9-32

**TABLE OF CONTENTS (continued)**

<b>DESCRIPTION</b>	<b>PAGE</b>
OVERHEAD GUARD .....	1-4
<b>P</b>	
PARK BRAKE .....	8-10
PISTON AND CRANKSHAFT .....	2-44
POWER DISTRIBUTION MODULE .....	4-4
<b>R</b>	
RADIATOR ASSEMBLY	
PSI 2.4L .....	2-6
REMOTE KEY SWITCH .....	4-15
REMOTE OIL FILTER AND ADAPTER .....	2-46
ROCKER COVER .....	2-48
<b>S</b>	
SEAT	
NON SUSPENSION - WITH MANUAL HYDRAULIC CONTROLS .....	1-6
SEMI SUSPENSION - WITH MANUAL HYDRAULIC CONTROLS .....	1-8
SEAT (FULL SUSPENSION ATTACHING PARTS)	
NOT INCLUDED WITH SEAT - SHEET 4 OF 4 WITH MANUAL HYDRAULICS .....	1-16
NOT INCLUDED WITH SEAT - SHEET 4 OF 4 WITH ELECTRO-HYDRAULICS .....	1-18
SEAT (FULL SUSPENSION)	
NON SWIVEL - SHEET 1 OF 4 .....	1-10
RECLINER AND DAMPER KITS - SHEET 3 OF 4 .....	1-14
SERVICE KITS FOR NON-SWIVEL - SHEET 2 OF 4 .....	1-12
SEAT BELT SWITCH ADAPTER .....	4-16
STARTER .....	2-50
STATOR SUPPORT HOUSING .....	5-12
STEER TIRES AND WHEELS .....	7-12
STEERING AXLE .....	7-6
STEERING COLUMN ASSEMBLY .....	7-4
STEERING CONTROL UNIT .....	7-10
STEERING CYLINDER .....	7-8
STEERING SYSTEM .....	7-2
STROBE LIGHT	
LED .....	13-26
<b>T</b>	
THERMOSTAT AND HOUSING .....	2-51
THROTTLE BODY .....	2-52
THROTTLE PEDAL ASSEMBLY AND ATTACHING PARTS	
MONOTROL .....	3-12
STANDARD PEDAL .....	3-10
TILT CYLINDER INSTALLATION .....	9-10
TILT CYLINDERS .....	9-12
TILT, HOIST AND AUXILIARY HOSES .....	9-8
TORQUE CONVERTER	
PSI ENGINE .....	5-9
TORQUE CONVERTER HOUSING AND ATTACHING PARTS	
SINGLE SPEED - ALUMINUM CHAIN DRIVE .....	5-6

**TABLE OF CONTENTS (continued)**

<b>DESCRIPTION</b>	<b>PAGE</b>
TRANSMISSION COOLING .....	5-2
TRANSMISSION ELECTRICAL .....	4-6
TRANSMISSION HOUSING AND ASSEMBLY	
SINGLE SPEED - ALUMINUM CHAIN DRIVE .....	5-10
TRANSMISSION INTERFACE .....	2-54
TRANSMISSION MOUNT	
SINGLE SPEED - ALUMINUM CHAIN DRIVE .....	5-4
<b>V</b>	
VALVE ASSEMBLY, LIFT AND LOWER	
ELECTRONIC VALVE INLET SECTION - THREE AND FOUR FUNCTION .....	9-36
VALVE ASSEMBLY, LIFT AND TILT	
MANUAL CONTROL VALVE - THREE AND FOUR FUNCTION .....	9-28
<b>W</b>	
WATER OUTLET .....	2-56
WATER PUMP .....	2-57
WIRE HARNESS	
ADAPTER - LOW FUEL PRESSURE .....	4-31
BACK-UP ALARM .....	13-28
COWL WITH FORWARD/REVERSE LEVER - WITHOUT RETURN TO SET TILT .....	4-48
COWL WITH FORWARD/REVERSE LEVER - WITH HYDRAULIC PUMP SOLENOID .....	4-52
COWL WITH MONOTROL PEDAL - WITH RETURN TO SET TILT .....	4-44
COWL WITH MONOTROL PEDAL - WITH HYDRAULIC PUMP SOLENOID .....	4-56
ELECTRONIC CONTROL VALVE - THREE FUNCTION .....	4-60
ELECTRONIC CONTROL VALVE - FOUR FUNCTION .....	4-62
LIGHTS .....	4-64
LOAD WEIGH .....	4-66
TRANSMISSION - SINGLE SPEED .....	4-68
WIRE HARNESS (CHASSIS) .....	4-32
WITH SEAT BELT SEQUENCE MODULE .....	4-38

**ABBREVIATIONS QUICK REFERENCE SHEET**

Listed below are abbreviations used in parts manuals to denote the following expressions:

<b>TERM</b>	<b>DEFINITION</b>	<b>TERM</b>	<b>DEFINITION</b>
Amp	Amperes	FRE	Freezer Environment
AR	As Required	in.	inches
BDI	Battery Discharge Indicators	LPG	Liquefied Petroleum Gas
BWI	Brush Wear Indicator	MAP	Manifold Absolute Pressure
CE	Communicator End	mm	millimeters
CRE	Corrosive Environment	MSTS	Microprocessor Spark Timing System
D/B	Date Break	NPT	National Pipe Threads
dbA	Decibel "A" Scale	O/S	Oversize
DE	Drive End	PTO	Power Take Off
ECH	Empty Container Handler	RPM	Revolutions per Minute
ECH-3	Empty Container Handler - 3 High Stacking	S/N	Serial Number
ECH-4	Empty Container Handler - 4 High Stacking	TMM	Truck Management Module
ECH-5	Empty Container Handler - 5 High Stacking	UL Type D	Diesel-Powered Safety Rating
ECH-6	Empty Container Handler - 6 High Stacking	UL Type DS	Diesel-Powered Safety Rating
ECH-7	Empty Container Handler - 7 High Stacking	UL Type E	Battery-Powered Safety Rating
ECM	Electronic Control Module	UL Type EE	Battery-Powered Safety Rating
ECN	Engineering Change Notice	UL Type ES	Battery-Powered Safety Rating
EEPROM	Electrically Erasable Programmable Read Only Memory	UL Type G	Gasoline-Powered Safety Rating
EPA	US Environmental Protection Agency	UL Type GS	Gasoline-Powered Safety Rating
EPROM	Electrically Programmable Read Only Memory	UL Type LP	Gas-Powered Safety Rating
		UL Type LPS	LP Gas-Powered Safety Rating
		U/S	Undersize
		UL	Underwriters Laboratory
		V	Volts

## HOW TO USE THE ILLUSTRATED PARTS MANUAL

This parts manual describes and illustrates assemblies, subassemblies, and detail parts needed for service replacement.

The different constructions are indicated by keys and footnotes. The callouts correspond to descriptions found on the next page.

**HYSTER** UNIT CODE D001 NORTH AMERICA 06/2001

**TABLE OF CONTENTS**

DESCRIPTION	PAGE
AIR INTAKE AND FILTER DIESEL (⇒ D/B 11/98)	3-22
AIR INTAKE AND FILTER DIESEL (D/B 11/96 ⇒)	
AIR INTAKE AND FILTER GASOLINE AND LPG	
ALTERNATOR GASOLINE, LPG, AND DIESEL	
ALTERNATOR TYPES GS, LPS, AND DS	
AUXILIARY FUNCTION TUBE TWO AND THREE STAGE FULL F	

**SECTION 13 NUMERICAL INDEX**

PART NO.	PAGE NO.	ITEM NO.	PART NO.	PAGE NO.	ITEM NO.	PART NO.	PAGE NO.	ITEM NO.	PART NO.	PAGE NO.	ITEM NO.
142	3-4	19	10-13	25		11-27	29	12-31	12		
12445	3-32	19	10-17	6		11-31	25	16719	3-36	5	
	3-34	1	10-27	11		11-32	37	16751	3-16	27	
			11	11		9-7	9	16849	3-34	21	
			12	6	16485	8-4	29		3-38	20	
			14	13		8-4	45	16863	3-28	17	
			16	6		8-8	34	16865	3-6	18	
			17	17		9-7	19		4-27	41	
			19	10		9-11	9	16882	9-7	30	
			23	46		9-11	17		9-11	27	
			27	46		10-9	21		10-10	36	
			26	14		10-9	28		10-13	32	
			28	14		10-13	16		11-7	24	
			30	14		11-7	19		11-9	17	

**SECTIONS**

- 1
- 2
- 3
- 4
- 5 BRAKE/ACC
- 6
- 7 MAST-TWO STAG
- 8 MAST-THREE ST
- 9 MAST-TWO ST
- 10
- 11

**TRANSMISSION HOUSING** ⇒ S/N D001H-2628

KEY:  
A: Diesel  
B: Gasoline and LPG

ITEM	PART NO.	DESCRIPTION	QTY	
			A	B
1	202547	Transmission	1	1
2	2023329	Transmission	1	1
3	2021670	Case	2	2
4	2023418	Bearing Cap	4	4
5	296429	Washer	4	4
6	293947	Bolt	1	1
7	2021390	Cover	2	2
8	1371656	Colter Pin	4	4
9	2021915	O-Ring	1	1
10	2021329	Plug	4	4
11	2021675	Housing	22	22
12	2021336	Pin	39	39
13	287860	Lockwasher	1	1
14	292682	Hydraulic Pump	1	1
15	2021345	⇒ Figure 5-3	1	1
16	214364	Gasket	1	1
17	296418	Bolt	8	8
18	2021388	Washer	1	1
19	2021389	Temperature Switch	1	1
20	2021383	Breather	9	9
21	292515	Dipstick	9	9
22	136692	Bolt	2	2
23	292527	Nut	3	3
24	292531	Bolt	3	2
25	292583	Capscrew	4	4
26	293637	Lockwasher	4	4
	296420	Washer	1	1
	996403	Transmission Kit (Includes Item 7)	1	1
	996405	Transmission Kit (Includes Item 14)	1	1

This Parts Manual is divided into 11 major sections which are listed above. Quick be made by placing the right thumb on the tab of the desired section, bending the pages to the corresponding tab.

©Copy Right Date HYSTER COMPANY See Service Manual for service procedures. 5-15

HP990004

## HOW TO FIND THE DESIRED PART NUMBER

### WHEN THE PART NUMBER AND THE NEXT HIGHER ASSEMBLY IS NOT KNOWN:

1. Determine the function and application of the part required. Turn to the Sections Page. Choose the general area of reference most likely to include the part.
2. Turn to the section you chose. Use the Section Table of Contents to determine the assembly which would normally contain the part required. Then locate the part on the assembly breakdown page.

### WHEN THE PART NUMBER IS NOT KNOWN AND THE NEXT HIGHER ASSEMBLY IS KNOWN:

3. Determine the assembly the required part is used on. Turn to the Table of Contents (Page i).
4. Locate the assembly the required part is used on and turn to the page indicated for that assembly. Then locate the part on the assembly breakdown page.

### WHEN THE PART NUMBER IS KNOWN:

5. Use the Numerical Index (Page 15-1) to find the part number. Turn to the page listed and locate the part as indicated by the item number.

### GENERAL:

The assembly breakdowns include part numbers, descriptions, quantities required, keys and footnotes to help in selecting correct parts.

6. Parts Supersession Information. Part numbers that have this history will be displayed in the parts list in the order that they were superseded (from oldest to newest). The superseded part numbers will be shown with a line through them.

Five periods in the PART NO. column (. . . . .) indicate that the part is either *Not Serviced Separately* or there is a reference to another figure. A figure reference is denoted by a pointing hand followed by a figure number in the DESCRIPTION column (☞ Figure 10)

7. Keys are used to show two or more similar assemblies, RH and LH assembly parts, etc. Select the appropriate key, "A", "B", "C", "D", or "E" and the corresponding quantity column to find the required parts. Two periods in the QTY column (..) indicate that the part is not used for that assembly.
8. Indented descriptions under the DESCRIPTION column are used to indicate assemblies and

subparts of assemblies. In the example on the previous page, *BEARING CAP* (Item 2) is a subpart of the major assembly *CASE*.

9. Quantities shown are for one assembly. The quantities of the subpart *BEARING CAP* are indicated as two and two. This means two per *CASE* assembly.
10. Serial number breaks identify the most current parts information and are shown as follows:
  - **S/N D001H2628**  
Indicates last serial number affected.
  - S/N D001H2629** →  
Indicates the first serial number affected.
  - S/N D001H1553** ↔ **S/N D001H3291**  
Indicates a range of serial numbers affected.

ECN numbers for pending serial numbers are shown to allow for the inclusion of the most current parts information and are identified as follows:

→ **S/N Pending Per ECN 63243**

Indicates a pending serial number for last unit affected.

**S/N Pending Per ECN 63243** →

Indicates a pending serial number for first unit affected.

Date breaks are used to indicate when a change occurred but a subsequent serial number break was not recorded. This is an arbitrary date usually based on the ECN release and are identified as follows:

→ **D/B 3/00**

Indicates that a change occurred sometime within that month for the item affected.

**D/B 3/00** →

Indicates that a change occurred sometime within that month for the item affected.

**D/B 3/00** ↔ **D/B 4/00**

Indicates a range of production dates of the item affected.

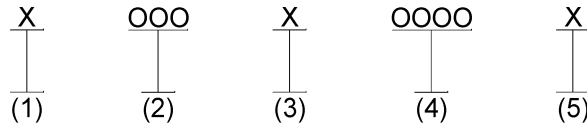
Contact your local dealer for Hyster lift trucks for serial number information for items with a ECN or a date break.

### ORDERING PARTS:

When ordering replacement parts, give the unit serial number, part number, name of part and quantity required.

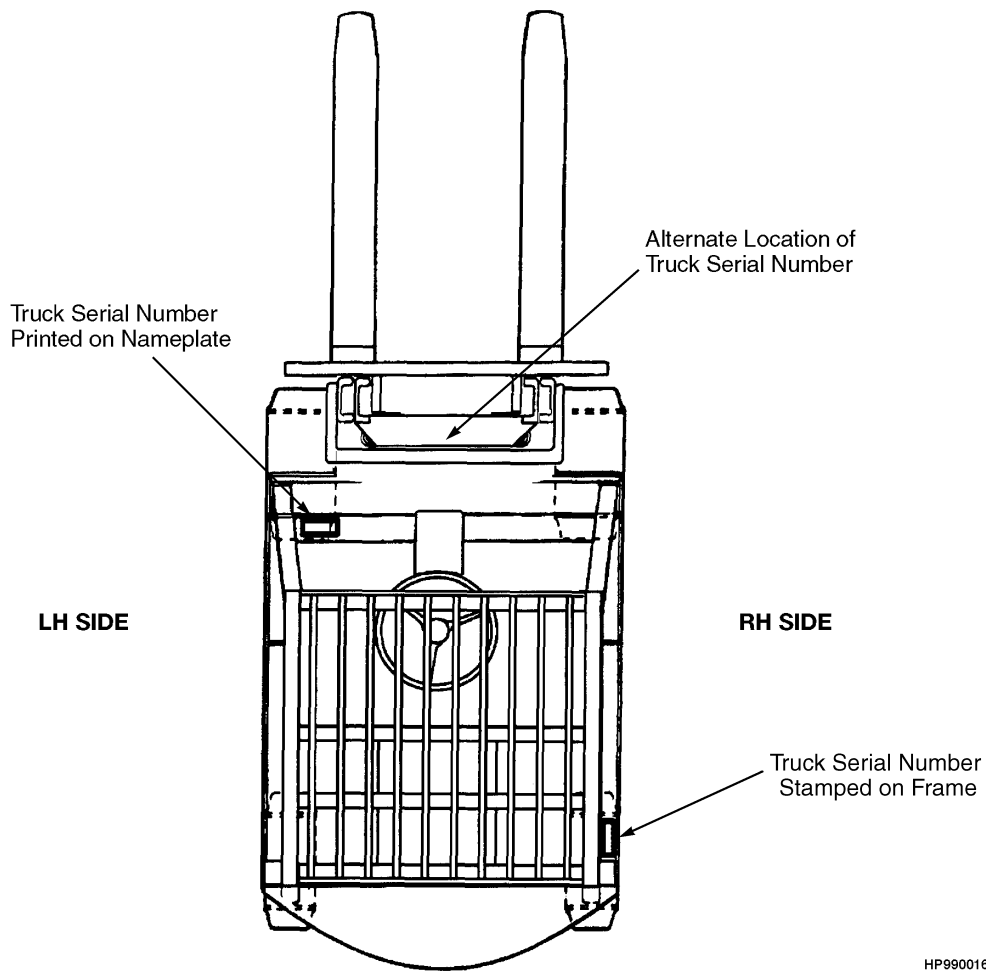
For any further information on parts, service, or ordering, consult your local dealer for Hyster lift trucks.

## IDENTIFICATION OF TRUCK SERIAL NUMBERS



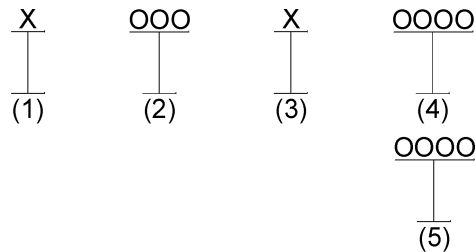
- (1) and (2) The first letter and three numbers indicate the truck unit code.
- (3) The second letter indicates the plant of manufacture.
- (4) The four or five digit number indicates the production sequence number of the truck.
- (5) The final letter indicates the year of manufacture starting with "A" in 1957, 1980, and 2003. The letters "I", "O", and "Q" will not be used.

For pending serial numbers contact your local dealer for Hyster lift trucks.



HP990016

Parts referred to in this book as right or left hand parts are in accordance with the illustration above.

**IDENTIFICATION OF MAST SERIAL NUMBERS**

- (1) and (2) The first letter and number indicates the mast unit code.
- (3) The second letter indicates the plant of manufacture.
- (4) The four or five digit number indicates the production sequence number of the mast.
- (5) Carriage travel in millimeters stamped just below the serial number.

Mast Group identification consists of mast unit code (1) and (2) plus carriage travel (5).

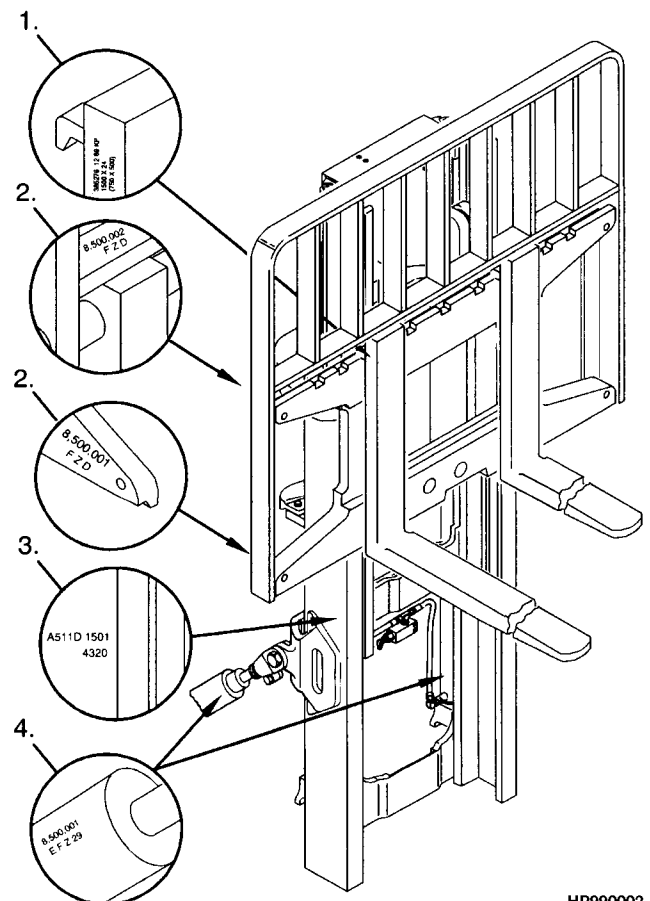
For pending production sequence numbers contact your local dealer for Hyster lift trucks.

**LIFT EQUIPMENT IDENTIFICATION**

1. Fork part number, capacity rating, plant code letter, and date of manufacture are stamped approximately six inches below the top of most forks.
2. The carriage group number is stamped on the right hand side of the top crossmember (pin type) or on the back of the right hand end of the bottom crossmember (hook type). A date code has two letters in line with or below the carriage group number.
3. The mast identification number has a unit code, a letter indicating the plant of manufacture, and a serial number. Underneath the production sequence number is a four digit number that indicates the carriage travel in millimeters.
4. Tilt and lift cylinder group numbers are stamped on the cylinder shell.

Always refer to the group, serial, or part number when ordering service parts.

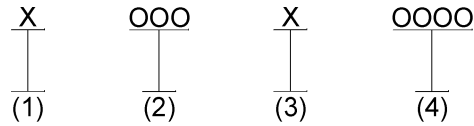
Modification of masts and carriages by SPED (Special Products Engineering Department) are identified by a model prefix code beginning with the letter "S". contact your dealer for Hyster lift trucks for information on these assemblies.



HP990002



## IDENTIFICATION OF ATTACHMENT AND SIDE-SHIFT CARRIAGE SERIAL NUMBERS

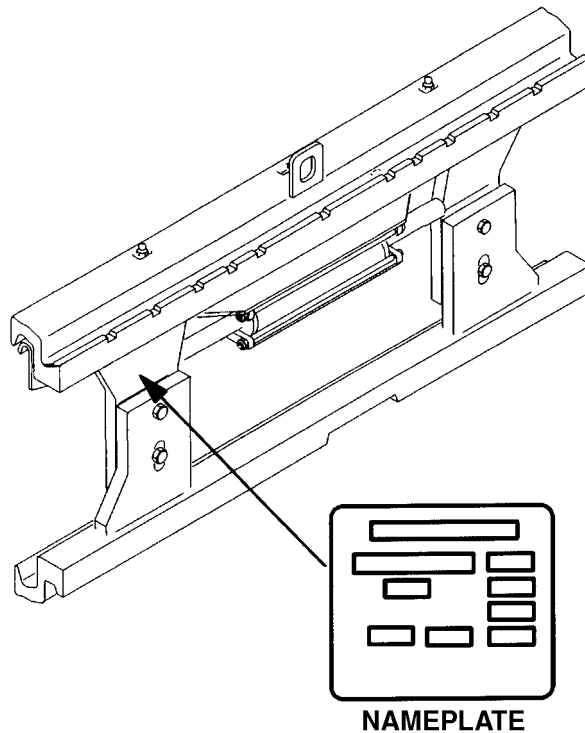


(1) and (2) The first letter and three numbers indicate the attachment unit code.

(3) The second letter indicates the plant of manufacture.

(4) The four or five digit number indicates the production sequence number.

For pending production sequence numbers contact your local dealer for Hyster lift trucks.



HP990003

Side-shift carriages and attachments have nameplates. Use the serial number found on the nameplate to identify the attachment.

Always refer to the group, serial, or part number when ordering service parts.

Modifications of attachments and side-shift carriages by SPED (Special Products Engineering Department) are identified by a model prefix code beginning with the letter "S". Contact your dealer for Hyster lift trucks for information on these assemblies.

**PUBLICATIONS**

Every new lift truck is provided with an OPERATING MANUAL. This manual has information that the operator must know for inspection and operation of the lift truck.

SERVICE MAINTENANCE MANUALS, which provide service and overhaul procedures, and PARTS

MANUALS with complete replacement part identification, are available at a nominal fee from your Hyster dealer to assist users in effectively maintaining Hyster lift trucks in a safe, useful condition. See the list below for information on ordering specific publications for this model lift truck.

---

<b>PUBLICATION</b>	<b>HYSTER PART NUMBER</b>
Operating Manual.....	4120207
Service Manual (Complete).....	4120213
Parts Manual.....	4120210



**1**

**FRAME**