

PARTS MANUAL

**H450HD-EC, H500HD-EC
(D214)**

CUSTOMER EDITION

HYSTER

SECTIONS

1	FRAME
2	ENGINE ASSEMBLY
3	FUEL SYSTEM
4	ELECTRICAL SYSTEM
5	TRANSMISSION
6	DRIVE AXLE
7	STEERING SYSTEM
8	BRAKE SYSTEM
9	HYDRAULIC SYSTEM
10	MAST WITH EMPTY CONTAINER HANDLER
11	OPTIONS
12	FIELD CONVERSION KITS
13	NUMERICAL INDEX

This Parts Manual is divided into 13 major sections which are listed above. Quick reference to these sections can be made by placing the right thumb on the tab of the desired section, bending the book back and thumbing the pages to the corresponding tab.

**Thanks very much for your reading,
Want to get more information,
Please click here, Then get the complete
manual**

JustClickHere 

NOTE:

**If there is no response to click on the link above,
please download the PDF document first, and then
click on it.**

**Have any questions please write to me:
admin@servicemanualperfect.com**

TABLE OF CONTENTS

DESCRIPTION	PAGE
A	
ADD ON OPTION KITS	12-2
AIR CONDITIONER	
CLIMATE CONTROL CAB	1-80
AIR CONDITIONER ASSEMBLY	
CAB WITH AIRCO	1-68
AIR CONDITIONER HOSES, COMPRESSOR, AND ATTACHING PARTS	
→ PENDING PER ECN 68717-38	1-44
PENDING PER ECN 68717-38 →	1-46
AIR CONDITIONER SYSTEM	
CLIMATE CONTROL CAB	1-78
AIR CONDITIONER SYSTEM ASSEMBLY	
CAB WITH AIRCO	1-66
AIR DUCT	
CLOSED CAB WITH AIRCO OR CLIMATE CONTROL	11-2
AIR DUCT ASSEMBLY	
AIR CONDITIONING - CAB WITH AIRCO OR WITH CLIMATE CONTROL	1-74
HEATER - CAB WITHOUT AIRCO	1-60
AIR HEATER STARTING AID	
TIER 3 ENGINE	2-23
AIR HORN AND COMPRESSOR	1-54
AIR INTAKE CONNECTION	
TIER 3 ENGINE	3-16
TIER 4(F) ENGINE	3-17
AIR INTAKE MANIFOLD	
TIER 3 ENGINE	3-18
TIER 4(F) ENGINE	3-19
AIR INTAKE SYSTEM	
TIER 3 ENGINE	3-12
TIER 4(F) ENGINE	3-14
AIR TRANSFER CONNECTION	
TIER 3 AND TIER 4(F) ENGINE	3-20
ALTERNATOR AND MOUNTING	
TIER 3 AND TIER 4(F) ENGINE	4-84
ARMREST ASSEMBLY	1-90
AUTOMATIC GREASING PUMP	9-42
AUTOMATIC GREASING SYSTEM	
PAGE 1 OF 4	9-32
PAGE 2 OF 4	9-34
PAGE 3 OF 4	9-38
PAGE 4 OF 4	9-40
AUXILIARY COOLING PLUMBING	
TIER 4(F) ENGINE	2-24
B	
BACK-UP ALARM	4-99
BELT TENSIONER	
TIER 3 AND TIER 4(F) ENGINE	2-25

TABLE OF CONTENTS (continued)

DESCRIPTION	PAGE
BLOCK ASSEMBLY AND HOSES, TWIN 12-PORT WITH METERING UNITS NUMBER 3, 4, AND 8 - STEER AXLE LUBRICATION	9-48
BLOCK ASSEMBLY AND HOSES, TWIN 4-PORT WITH METERING UNIT NUMBER 8 - CHAIN SHEAVES LUBRICATION	9-44
WITH METERING UNITS NUMBER 3 AND 10 - MAST MOUNTING LUBRICATION	9-46
BRAKE ACCUMULATOR	8-20
BRAKE PEDAL AND LINKAGE	8-18
BRAKE PEDAL ASSEMBLY	8-16
BRAKE SYSTEM	
PAGE 1 OF 3	8-2
PAGE 2 OF 3 (→ PENDING PER ECN 68717-38)	8-4
PAGE 2 OF 3 (PENDING PER ECN 68717-38 →)	8-6
PAGE 3 OF 3 (→ PENDING PER ECN 68717-38)	8-8
PAGE 3 OF 3 (PENDING PER ECN 68717-38 →)	8-10
BRAKE VALVE AND ATTACHING PARTS	8-12
ALTERNATE CONFIGURATION	8-14
C	
CAB ATTACHING PARTS	
PAGE 1 OF 3	1-92
PAGE 2 OF 3	1-94
PAGE 3 OF 3	1-96
CAB DOOR	
LEFT HAND	1-82
RIGHT HAND	1-84
CAB FLOORMATS	1-100
CAB HEATER PLUMBING	
TIER 3 AND TIER 4(F) ENGINE	2-26
CAB MAIN DOOR WINDOW	
RIGHT AND LEFT HAND	1-86
CAB RECIRCULATING FAN	11-4
CAB SUNSHADE	
REAR	1-56
TOP	1-55
CAB TILT	1-32
CAB TILT CYLINDER	1-42
CAB TILT PUMP	
ELECTRIC	1-40
CAB TILT PUMP ASSEMBLY	1-38
CAB WINDOWS INSTALLATION	1-98
CLIMATE CONTROL SYSTEM	1-76
CLUTCH ASSEMBLY	
K1	5-24
K2	5-26
K3	5-28
K4	5-30
KR	5-32
KV	5-34
COMPRESSOR ASSEMBLY	1-48

TABLE OF CONTENTS (continued)

DESCRIPTION	PAGE
CONDENSER	
CAB WITH AIRCO OR WITH CLIMATE CONTROL	1-72
CONDENSER SYSTEM	
CAB WITH AIRCO OR WITH CLIMATE CONTROL	1-70
CONDITIONAL SPEED LIMITER	
LIFT AND TILT	11-5
CONTROL PANEL ASSEMBLY	
HEATER	4-80
HEATER AND AIR CONDITIONER	4-81
CONTROL VALVE	
PAGE 1 OF 2	5-20
PAGE 2 OF 2	5-21
CONTROLLER	
SEAT BELT SEQUENCER	11-6
CONVERSION KITS	12-2
CONVERTER	5-7
COOLANT PLUMBING	
TIER 4(F) ENGINE	2-27
COOLING SYSTEM	
TIER 3 ENGINE	2-14
TIER 4(F) ENGINE	2-16
COUNTERWEIGHT	1-17
CRANKCASE BREATHER	
TIER 3 ENGINE	2-28
TIER 4(F) ENGINE	2-30
CRANKCASE BREATHER PLUMBING	
TIER 4(F) ENGINE	2-32
D	
DASH ASSEMBLY	1-87
DEF SYSTEM	
PAGE 1 OF 3 (→ PENDING PER ECN 68717-41)	3-38
PAGE 1 OF 3 (PENDING PER ECN 68717-41 →)	3-46
PAGE 2 OF 3 (→ PENDING PER ECN 68717-41)	3-42
PAGE 2 OF 3 (PENDING PER ECN 68717-41 →)	3-50
PAGE 3 OF 3 (→ PENDING PER ECN 68717-41)	3-44
PAGE 3 OF 3 (PENDING PER ECN 68717-41 →)	3-52
DIFFERENTIAL CARRIER	6-8
DIPSTICK AND TUBE	
TIER 4(F) ENGINE	2-33
DIPSTICK MOUNTING	
TIER 4(F) ENGINE	2-22
DRIVE AXLE ASSEMBLY	6-4
DRIVE AXLE MOUNTING	
ALL AXLES	6-2
DRIVE TIRE AND WHEEL	
MICHELIN	6-18
TRELLEBORG - SOLID TIRE	6-20
TRELLEBORG	6-21

TABLE OF CONTENTS (continued)

DESCRIPTION	PAGE
TRELLEBORG TR900	6-19
DRIVE TRAIN	5-8
E	
ELECTRICAL SYSTEM	
PAGE 1 OF 2 - TIER 3 ENGINE	4-4
PAGE 1 OF 2 - TIER 4(F) ENGINE	4-6
PAGE 2 OF 2	4-8
EMPTY CONTAINER HANDLER	
BEARING BLOCKS AND SHIMS - CARRIAGE	11-7
EMPTY SEAT ENGINE SHUTDOWN	11-8
ENGINE CONNECTION	5-9
ENGINE CONTROL MODULE AND SENSORS	
TIER 3 ENGINE	4-86
TIER 4(F) ENGINE	4-88
ENGINE COOLANT VENT	
TIER 3 ENGINE	2-34
ENGINE HEATER ASSEMBLY	
120 VOLT	11-9
240 VOLT	11-10
ENGINE MOUNTING	
TIER 3 ENGINE	2-20
TIER 4(F) ENGINE	2-21
ETR CONTROL MODULE WIRE HARNESS	
TIER 4(F) ENGINE	4-90
ETR MODULE WIRING	
TIER 3 ENGINE	4-91
EXHAUST MANIFOLD	
TIER 4(F) ENGINE	2-35
EXHAUST OUTLET CONNECTION	
TIER 3 ENGINE	2-36
TIER 4(F) ENGINE	2-37
EXHAUST RECIRCULATION	
TIER 4(F) ENGINE	2-38
EXHAUST RECIRCULATION WATER PLUMBING	
TIER 4(F) ENGINE	2-40
EXHAUST SYSTEM	
TIER 3 ENGINE - PAGE 1 OF 2	2-4
TIER 3 ENGINE - PAGE 2 OF 2	2-6
TIER 4(F) ENGINE - PAGE 1 OF 2	2-8
TIER 4(F) ENGINE - PAGE 2 OF 2	2-10
F	
FAN DRIVE	
TIER 3 ENGINE	2-42
TIER 4(F) ENGINE	2-43
FAN SPACER	
TIER 3 ENGINE	2-44
FENDERS, RUNNING BOARDS, AND TANK EXTENSION COVERS	1-22

TABLE OF CONTENTS (continued)

DESCRIPTION	PAGE
FLYWHEEL	
TIER 3 AND TIER 4(F) ENGINE	2-45
FLYWHEEL HOUSING	
TIER 3 AND TIER 4(F) ENGINE	2-46
FRONT GEAR COVER	
TIER 3 AND TIER 4(F) ENGINE	2-48
FUEL DRAIN PLUMBING	
TIER 4(F) ENGINE	3-21
FUEL FILTER	
TIER 4(F) ENGINE	3-22
FUEL FILTER AND WIRE HARNESS	
TIER 3 ENGINE	3-23
FUEL FILTER PLUMBING	
TIER 3 ENGINE	3-24
TIER 4(F) ENGINE	3-25
FUEL FILTER WITH WATER SEPARATOR	
TIER 4(F) ENGINE	3-26
FUEL HOSES	3-34
FUEL INJECTOR PLUMBING	
TIER 3 ENGINE	3-36
FUEL INLET FITTING	
TIER 3 ENGINE	3-27
TIER 4(F) ENGINE	3-28
FUEL PLUMBING	
TIER 3 ENGINE	3-29
FUEL PUMP	
TIER 3 ENGINE	3-30
TIER 4(F) ENGINE	3-32
FUEL TANK	3-2
G	
GEAR DRIVEN PUMP DRIVE	
TIER 3 AND TIER 4(F) ENGINE	2-49
GEAR PUMP ASSEMBLY	9-10
H	
HAND PUMP	1-36
HEADER HOSES	10-14
HEAT SHIELD	
TIER 4(F) ENGINE	2-50
HEATED TOP WINDOW	11-11
HEATER AND AIR DUCT	
CAB WITHOUT AIRCO	1-58
HEATER ASSEMBLY	
CAB WITHOUT AIRCO	1-64
HEATER HOSES	1-50
HEATER SYSTEM	
CAB WITHOUT AIRCO	1-62
HOODS AND COVERS	1-26

TABLE OF CONTENTS (continued)

DESCRIPTION	PAGE
HYDRAULIC CONTROL VALVE AND ATTACHING PARTS	9-14
HYDRAULIC CONTROL VALVE ASSEMBLY	
AUXILIARY SECTION ASSEMBLY	9-26
HIC, BRAKE/ACCUMULATOR BLOCK ASSEMBLY	9-20
HIC, MID-INLET BLOCK ASSEMBLY	9-24
LIFT SECTION ASSEMBLY, LH	9-18
LIFT SECTION ASSEMBLY, RH	9-16
TILT SECTION ASSEMBLY	9-22
HYDRAULIC CONTROLS	
JOYSTICK	9-30
HYDRAULIC SYSTEM	
PAGE 1 OF 3	9-2
PAGE 2 OF 3	9-4
PAGE 3 OF 3	9-6
HYDRAULIC TANK	9-12
I	
INDICATOR DISPLAY AND CONTROLS	4-82
INNER MAST	10-6
INSULATION MATS AND AIR DUCT	
CLOSED CAB WITH AIRCO OR WITH CLIMATE CONTROL	11-12
J	
JOYSTICK ASSEMBLY	9-28
L	
LABELS	
HYDRAULIC CONTROLS	1-102
PAGE 1 OF 2	1-104
PAGE 2 OF 2	1-106
LIFT CYLINDER HYDRAULICS	10-11
LIFTING BRACKETS	
TIER 3 ENGINE	2-51
TIER 4(F) ENGINE	2-52
LIGHT BAR AND MOUNT	
TWISTLOCK MODULE	1-52
LIGHTS	
DRIVE AND REAR	4-95
FRONT FENDER	4-96
STROBE - WITH CONDENSER	4-92
STROBE - WITHOUT CONDENSER	4-93
TAIL	4-97
TURN SIGNAL	4-94
M	
MAIN LIFT	10-8
MAIN LIFT CYLINDERS	10-12
MAP READING LIGHT	11-14
MAST INSTALLATION	10-2
MIRRORS	11-15

TABLE OF CONTENTS (continued)

DESCRIPTION	PAGE
MONOTROL PEDAL ASSEMBLY	3-8
MUDFLAPS	1-19
MUFFLER/CATALYTIC CONVERTER ASSEMBLY	
DOC - TIER 4(F) ENGINE	2-13
SCR - TIER 4(F) ENGINE	2-12
O	
OIL COOLER	
TIER 3 ENGINE	2-53
OIL DIPSTICK	5-18
OIL FILTER	
TIER 3 AND TIER 4(F) ENGINE	2-54
OIL LEVEL GAUGE	
TIER 3 ENGINE	2-55
OIL PAN	
TIER 3 AND TIER 4(F) ENGINE	2-56
OIL PUMP	
TIER 3 ENGINE	2-57
OUTER MAST	10-4
OUTPUT	5-19
P	
PARK BRAKE ASSEMBLY	6-12
PEDAL LINKAGE	
FORWARD/REVERSE LEVER	3-4
MONOTROL	3-6
PIVOT ARM ASSEMBLY	1-88
PLUG, COOLANT HEATER STARTING AID	
TIER 3 AND TIER 4(F) ENGINE	2-58
POWER TAKE-OFF	5-13
PRESSURE FILTER	5-15
PRESSURE OIL PUMP	5-14
PRESSURE REGULATOR	5-16
R	
RADIATOR ASSEMBLY	2-19
RADIO CONSOLE AND ATTACHING PARTS	11-16
REAR GEAR HOUSING	
TIER 3 AND TIER 4(F) ENGINE	2-59
REAR GEAR TRAIN MOUNTING	
TIER 3 AND TIER 4(F) ENGINE	2-60
REAR LOCKING CONSOLE	11-18
REAR VIEW MIRRORS	
FRONT FENDER MOUNTED	1-18
RELAYS AND FUSES	4-30
S	
SEAT ASSEMBLY	
SUSPENSION	1-14
SEAT ASSEMBLY, AIR SUSPENSION	1-6

TABLE OF CONTENTS (continued)

DESCRIPTION	PAGE
DELUXE	1-8
WITH THREE POINT SEAT BELT	1-10
SEAT ASSEMBLY, MECHANICAL SUSPENSION	1-4
SECOND 12V SOCKET OPTION	
ONLY WITH DC-DC CONVERTER	11-19
START AID	11-20
STARTER MOTOR	
TIER 3 AND TIER 4(F) ENGINE	2-61
STEER AXLE ASSEMBLY	7-14
STEER AXLE MOUNTING	7-12
STEER COLUMN ASSEMBLY	7-2
STEER CYLINDER	7-16
STEER TIRE AND WHEEL	
MICHELIN	7-8
TRELLEBORG - SOLID TIRE	7-9
TRELLEBORG	7-10
TRELLEBORG TR900	7-11
STEERING COLUMN	7-4
STEERING CONTROL UNIT ASSEMBLY	7-6
STEERING HOSES	
→ PENDING PER ECN 68717-38	7-18
PENDING PER ECN 68717-38 →	7-20
STEPS AND RAILINGS	1-24
STORAGE COMPARTMENT	1-20
STUD GROUNDING	
TIER 4(F) ENGINE	2-62
SUSPENSION KIT ASSEMBLY	1-12
SWITCHES	4-98
T	
TELEMETRY KITS	12-2
THERMOSTAT	
TIER 3 AND TIER 4(F) ENGINE	2-63
THROTTLE AND INCHING SENSORS	3-10
TILT CYLINDER HYDRAULICS	
→ PENDING PER ECN 68717-38	10-18
PENDING PER ECN 68717-38 →	10-20
TILT CYLINDERS	10-22
TRAINING SEAT	11-21
TRANSMISSION ATTACHING PARTS	5-2
TRANSMISSION CONTROL	4-10
TRANSMISSION DIPSTICK	
TIER 3 ENGINE	5-5
TIER 4(F) ENGINE	5-6
TRANSMISSION HOSES	5-4
TRANSMISSION HOUSING	
PAGE 1 OF 2	5-10
PAGE 2 OF 2	5-12
TRANSMISSION SENSORS	5-17

TABLE OF CONTENTS (continued)

DESCRIPTION	PAGE
TURBOCHARGER	
TIER 3 ENGINE	2-64
TIER 4(F) ENGINE	2-65
TURBOCHARGER PLUMBING	
TIER 3 ENGINE	2-66
TIER 4(F) ENGINE	2-68
U	
UNIVERSAL SHAFT	5-36
V	
VALVE COVER	
TIER 3 ENGINE	2-70
TIER 4(F) ENGINE	2-72
W	
WATER INLET CONNECTION	
TIER 3 ENGINE	2-74
TIER 4(F) ENGINE	2-75
WATER OUTLET CONNECTION	
TIER 3 AND TIER 4(F) ENGINE	2-76
WATER PUMP AND DRIVE BELT	
TIER 3 AND TIER 4(F) ENGINE	2-77
WET BRAKE ASSEMBLY	6-14
WHEEL HUB ASSEMBLY	
HYSTER TIRE SAVER DRIVE AXLE	6-16
WINDOW KITS	12-2
WINDOW WIPER SYSTEM	
REAR AND ROOF WIPER KITS - AND FRONT WIPER OPTIONS	1-30
WASHER BOTTLE KIT	1-28
WIRE HARNESS	
ARMREST	4-12
CAB LIGHTS	4-16
CAB SIDE CONSOLE - PAGE 1 OF 3	4-18
CAB SIDE CONSOLE - PAGE 2 OF 3	4-22
CAB SIDE CONSOLE - PAGE 3 OF 3	4-26
CAB TILT (→ PENDING PER ECN 68717-32)	4-34
CAB TILT (PENDING PER ECN 68717-32 →)	4-35
CAB UNDERFLOOR	4-36
CHASSIS - PAGE 1 OF 3	4-40
CHASSIS - PAGE 2 OF 3 (→ S/N D214E01510M)	4-44
CHASSIS - PAGE 2 OF 3 (S/N D214E01511M →)	4-48
CHASSIS - PAGE 3 OF 3	4-52
CLOSED CAB	4-54
CONTAINER POSITIONER SPEED REDUCTION	4-57
ECH ADAPTER	4-58
ECM ADAPTER - TIER 3 ENGINE	4-59
ECM/EAS - TIER 4(F) ENGINE	4-60
ECO/ELO-HIP	4-63
ELME 584 ATTACHMENT ADAPTER	4-64

TABLE OF CONTENTS (continued)

DESCRIPTION	PAGE
POWERTRAIN	4-66
PRESSURE SWITCH BASE - AUTOMATIC GREASING SYSTEM	4-68
PROXIMITY SWITCH - LIFT AND TILT	4-69
PUMP BASE - AUTOMATIC GREASING SYSTEM	4-70
REAR	4-71
REAR WIPER EXTENSION	4-73
SIDE AND INDICATOR LIGHTS	4-74
SPEED LIMITER	4-100
STEER COLUMN	4-75
WASH PUMPS - CLOSED CAB	4-76
WIRE HARNESS AND SWITCH ASSEMBLY	
MONOTROL PEDAL	4-78
WIRE MESH ROOF PROTECTION	11-22

ABBREVIATIONS QUICK REFERENCE SHEET

Listed below are abbreviations used in parts manuals to denote the following expressions:

TERM	DEFINITION	TERM	DEFINITION
Amp	Amperes	FRE	Freezer Environment
AR	As Required	in.	inches
BDI	Battery Discharge Indicators	LPG	Liquefied Petroleum Gas
BWI	Brush Wear Indicator	MAP	Manifold Absolute Pressure
CE	Communicator End	mm	millimeters
CRE	Corrosive Environment	MSTS	Microprocessor Spark Timing System
D/B	Date Break	NPT	National Pipe Threads
dbA	Decibel "A" Scale	O/S	Oversize
DE	Drive End	PTO	Power Take Off
ECH	Empty Container Handler	RPM	Revolutions per Minute
ECH-3	Empty Container Handler - 3 High Stacking	S/N	Serial Number
ECH-4	Empty Container Handler - 4 High Stacking	TMM	Truck Management Module
ECH-5	Empty Container Handler - 5 High Stacking	UL Type D	Diesel-Powered Safety Rating
ECH-6	Empty Container Handler - 6 High Stacking	UL Type DS	Diesel-Powered Safety Rating
ECH-7	Empty Container Handler - 7 High Stacking	UL Type E	Battery-Powered Safety Rating
ECM	Electronic Control Module	UL Type EE	Battery-Powered Safety Rating
ECN	Engineering Change Notice	UL Type ES	Battery-Powered Safety Rating
EEPROM	Electrically Erasable Programmable Read Only Memory	UL Type G	Gasoline-Powered Safety Rating
EPA	US Environmental Protection Agency	UL Type GS	Gasoline-Powered Safety Rating
EPROM	Electrically Programmable Read Only Memory	UL Type LP	Gas-Powered Safety Rating
		UL Type LPS	LP Gas-Powered Safety Rating
		U/S	Undersize
		UL	Underwriters Laboratory
		V	Volts

HOW TO USE THE ILLUSTRATED PARTS MANUAL

This parts manual describes and illustrates assemblies, subassemblies, and detail parts needed for service replacement.

The different constructions are indicated by keys and footnotes. The callouts correspond to descriptions found on the next page.

HYSTER UNIT CODE D001 NORTH AMERICA 06/2001

TABLE OF CONTENTS

DESCRIPTION	PAGE
AIR INTAKE AND FILTER DIESEL (⇒ D/B 11/98)	3-22
AIR INTAKE AND FILTER DIESEL (D/B 11/96 ⇒)	
AIR INTAKE AND FILTER GASOLINE AND LPG	
ALTERNATOR GASOLINE, LPG, AND DIESEL	
ALTERNATOR TYPES GS, LPS, AND DS	
AUXILIARY FUNCTION TUBE TWO AND THREE STAGE FULL F	

SECTION 13 NUMERICAL INDEX

PART NO.	PAGE NO.	ITEM NO.	PART NO.	PAGE NO.	ITEM NO.	PART NO.	PAGE NO.	ITEM NO.	PART NO.	PAGE NO.	ITEM NO.
142	3-4	19	10-13	25		11-27	29	12-31	12		
12445	3-32	19	10-17	6		11-31	25	16719	3-36	5	
	3-34	1	10-27	11		11-32	37	16751	3-16	27	
			11	11		8-4	29	16849	3-34	21	
			11	6	16485	8-4	45		3-38	20	
			12	11		8-4	45	16863	3-28	17	
			14	13		8-8	34	16865	3-6	18	
			12	6		9-7	9		4-27	41	
			3	17		9-7	19	16882	9-7	30	
			9	10		9-11	9		9-11	27	
			23	46		9-11	17		10-10	36	
			27	46		10-9	21		10-13	32	
			26	14		10-9	28		11-7	24	
			28	14		10-13	16		11-9	17	
			50	14		11-7	19				

SECTIONS

- FRAME
- ELECTRICAL SYSTEM
-
-
- BRAKE/ACC
-
- MAST-TWO STAG
- MAST-THREE STAG
- MAST-TWO STAG
-
-

TRANSMISSION HOUSING ⇒ S/N D001H-2628

KEY:
A: Diesel
B: Gasoline and LPG

ITEM	PART NO.	DESCRIPTION	QTY	
			A	B
1	202547	Transmission	1	1
2	2023329	Transmission	1	1
3	2021670	Case	2	2
4	2023418	Bearing Cap	4	4
5	296429	Washer	4	4
6	293947	Bolt	1	1
7	2021390	Cover	2	2
8	1371656	Colter Pin	4	4
9	2021915	O-Ring	1	1
10	2021329	Plug	4	4
11	2021675	Housing	22	22
12	2021336	Pin	39	39
13	287860	Lockwasher	1	1
14	292682	Hydraulic Pump	1	1
15	2021345	⇒ Figure 5-3	1	1
16	214364	Gasket	8	8
17	296418	Bolt	1	1
18	2021388	Washer	1	1
19	2021389	Temperature Switch	1	1
20	2021383	Breather	9	9
21	292515	Dipstick	9	9
22	136692	Bolt	2	2
23	292527	Nut	3	3
24	292531	Bolt	3	2
25	292583	Capscrew	4	4
26	293637	Lockwasher	4	4
	296420	Washer	1	1
	996403	Transmission Kit (Includes Item 7)	1	1
	996405	Transmission Kit (Includes Item 14)	1	1

This Parts Manual is divided into 11 major sections which are listed above. Quick reference can be made by placing the right thumb on the tab of the desired section, bending the pages to the corresponding tab.

© Copy Right Date HYSTER COMPANY See Service Manual for service procedures. 5-15

HP990004

HOW TO FIND THE DESIRED PART NUMBER

WHEN THE PART NUMBER AND THE NEXT HIGHER ASSEMBLY IS NOT KNOWN:

1. Determine the function and application of the part required. Turn to the Sections Page. Choose the general area of reference most likely to include the part.
2. Turn to the section you chose. Use the Section Table of Contents to determine the assembly which would normally contain the part required. Then locate the part on the assembly breakdown page.

WHEN THE PART NUMBER IS NOT KNOWN AND THE NEXT HIGHER ASSEMBLY IS KNOWN:

3. Determine the assembly the required part is used on. Turn to the Table of Contents (Page i).
4. Locate the assembly the required part is used on and turn to the page indicated for that assembly. Then locate the part on the assembly breakdown page.

WHEN THE PART NUMBER IS KNOWN:

5. Use the Numerical Index (Page 13-1) to find the part number. Turn to the page listed and locate the part as indicated by the item number.

GENERAL:

The assembly breakdowns include part numbers, descriptions, quantities required, keys and footnotes to help in selecting correct parts.

6. Parts Supersession Information. Part numbers that have this history will be displayed in the parts list in the order that they were superseded (from oldest to newest). The superseded part numbers will be shown with a line through them.

Five periods in the PART NO. column (.) indicate that the part is either *Not Serviced Separately* or there is a reference to another figure. A figure reference is denoted by a pointing hand followed by a figure number in the DESCRIPTION column (☞ Figure 10)

7. Keys are used to show two or more similar assemblies, RH and LH assembly parts, etc. Select the appropriate key, "A", "B", "C", "D", or "E" and the corresponding quantity column to find the required parts. Two periods in the QTY column (..) indicate that the part is not used for that assembly.
8. Indented descriptions under the DESCRIPTION column are used to indicate assemblies and

subparts of assemblies. In the example on the previous page, *BEARING CAP* (Item 2) is a subpart of the major assembly *CASE*.

9. Quantities shown are for one assembly. The quantities of the subpart *BEARING CAP* are indicated as two and two. This means two per *CASE* assembly.
10. Serial number breaks identify the most current parts information and are shown as follows:
 - **S/N D001H2628**
Indicates last serial number affected.
 - S/N D001H2629** →
Indicates the first serial number affected.
 - S/N D001H1553** ↔ **S/N D001H3291**
Indicates a range of serial numbers affected.

ECN numbers for pending serial numbers are shown to allow for the inclusion of the most current parts information and are identified as follows:

→ **S/N Pending Per ECN 63243**

Indicates a pending serial number for last unit affected.

S/N Pending Per ECN 63243 →

Indicates a pending serial number for first unit affected.

Date breaks are used to indicate when a change occurred but a subsequent serial number break was not recorded. This is an arbitrary date usually based on the ECN release and are identified as follows:

→ **D/B 3/00**

Indicates that a change occurred sometime within that month for the item affected.

D/B 3/00 →

Indicates that a change occurred sometime within that month for the item affected.

D/B 3/00 ↔ **D/B 4/00**

Indicates a range of production dates of the item affected.

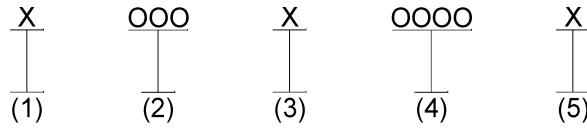
Contact your local dealer for Hyster lift trucks for serial number information for items with a ECN or a date break.

ORDERING PARTS:

When ordering replacement parts, give the unit serial number, part number, name of part and quantity required.

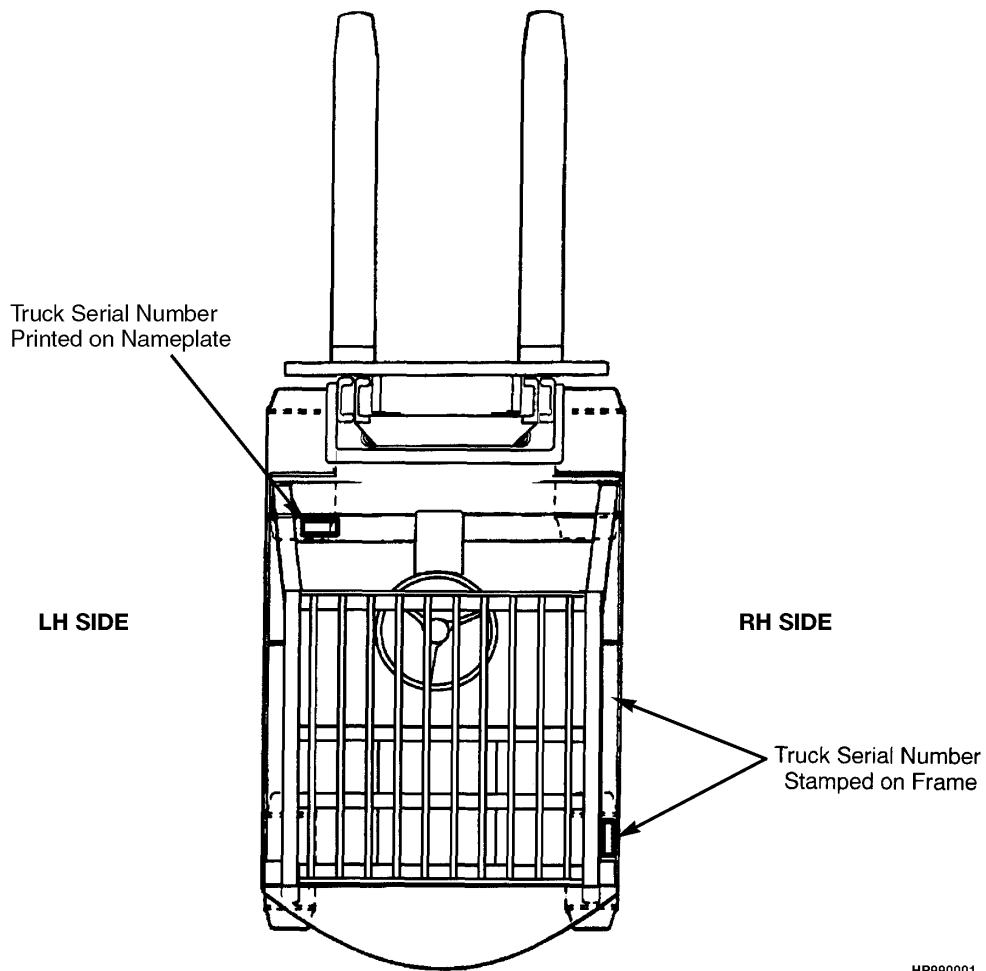
For any further information on parts, service, or ordering, consult your local dealer for Hyster lift trucks.

IDENTIFICATION OF TRUCK SERIAL NUMBERS

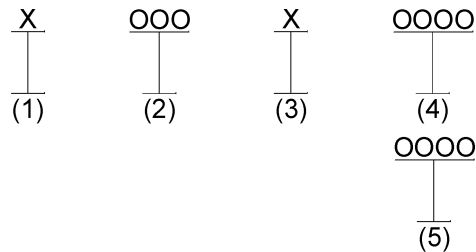


- (1) and (2) The first letter and three numbers indicate the truck unit code.
- (3) The second letter indicates the plant of manufacture.
- (4) The four or five digit number indicates the production sequence number of the truck.
- (5) The final letter indicates the year of manufacture starting with "A" in 1957, 1980, and 2003. The letters "I", "O", and "Q" will not be used.

For pending serial numbers contact your local dealer for Hyster lift trucks.



Parts referred to in this book as right or left hand parts are in accordance with the illustration above.

IDENTIFICATION OF MAST SERIAL NUMBERS

- (1) and (2) The first letter and number indicates the mast unit code.
- (3) The second letter indicates the plant of manufacture.
- (4) The four or five digit number indicates the production sequence number of the mast.
- (5) Carriage travel in millimeters stamped just below the serial number.

Mast Group identification consists of mast unit code (1) and (2) plus carriage travel (5).

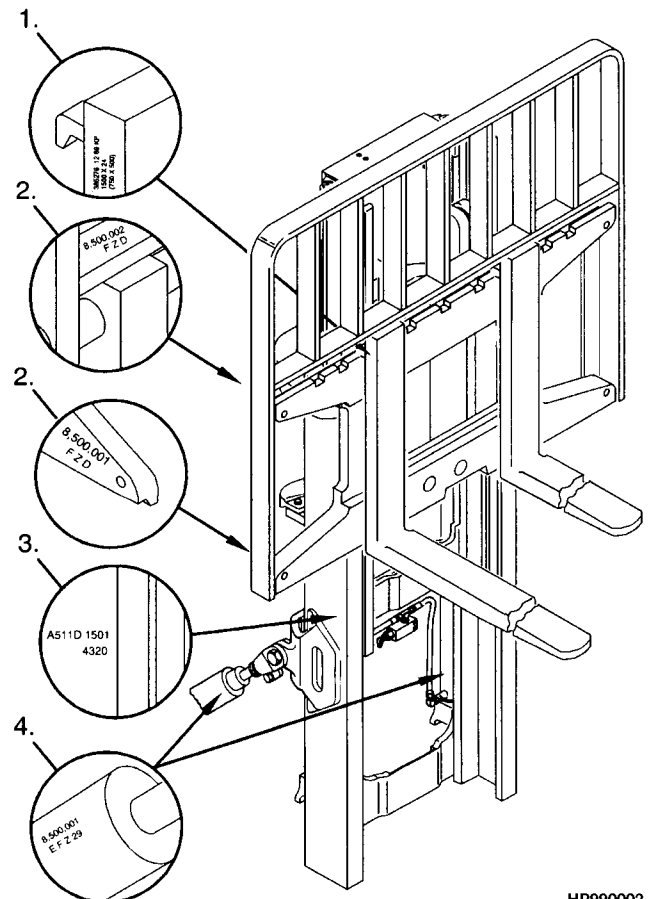
For pending production sequence numbers contact your local dealer for Hyster lift trucks.

LIFT EQUIPMENT IDENTIFICATION

1. Fork part number, capacity rating, plant code letter, and date of manufacture are stamped approximately six inches below the top of most forks.
2. The carriage group number is stamped on the right hand side of the top crossmember (pin type) or on the back of the right hand end of the bottom crossmember (hook type). A date code has two letters in line with or below the carriage group number.
3. The mast identification number has a unit code, a letter indicating the plant of manufacture, and a serial number. Underneath the production sequence number is a four digit number that indicates the carriage travel in millimeters.
4. Tilt and lift cylinder group numbers are stamped on the cylinder shell.

Always refer to the group, serial, or part number when ordering service parts.

Modification of masts and carriages by SPED (Special Products Engineering Department) are identified by a model prefix code beginning with the letter "S". contact your dealer for Hyster lift trucks for information on these assemblies.



HP990002