

PARTS MANUAL

**H50CT
(B274)**

CUSTOMER EDITION

HYSTER

SECTIONS

1	FRAME
2	ENGINE ASSEMBLY - YANMAR
3	ENGINE ASSEMBLY-PSI
4	FUEL SYSTEM
5	ELECTRICAL SYSTEM
6	TRANSMISSION
7	DRIVE AXLE
8	STEERING SYSTEM
9	BRAKE SYSTEM
10	HYDRAULIC SYSTEM
11	MAST-THREE STAGE FULL FREE-LIFT
12	OPTIONS
13	NUMERICAL INDEX

This Parts Manual is divided into 13 major sections which are listed above. Quick reference to these sections can be made by placing the right thumb on the tab of the desired section, bending the book back and thumbing the pages to the corresponding tab.

**Thanks very much for your reading,
Want to get more information,
Please click here, Then get the complete
manual**

JustClickHere 

NOTE:

**If there is no response to click on the link above,
please download the PDF document first, and then
click on it.**

**Have any questions please write to me:
admin@servicemanualperfect.com**

TABLE OF CONTENTS

DESCRIPTION	PAGE
A	
AIR INTAKE SYSTEM	
AIR FILTER ASSEMBLY	4-6
PSI	4-2
YANMAR DIESEL	4-4
ALTERNATOR AND MOUNTING	
YANMAR DIESEL	5-7
AUDIBLE BACKUP ALARM	12-3
AUXILIARY EXTENSION TUBES	
THREE STAGE FULL FREE LIFT	12-12
B	
BALANCER	
PSI 2.4L	3-60
BATTERY AND CABLES	
PSI - LPG/DUAL FUEL	5-8
YANMAR - DIESEL	5-10
BRAKE ASSEMBLY	9-2
BRAKE PEDAL LINKAGE	9-4
C	
CAMSHAFT AND DRIVE GEAR	
YANMAR - 2.6L DIESEL	2-24
CAMSHAFT AND VALVES	
PSI 2.4L	3-58
CARRIAGE	
THREE STAGE FULL FREE-LIFT	11-22
CENTER SECTION	7-4
CHARGE PUMP ASSEMBLY	6-20
CONTROL VALVE LOCKOUT GROUP	
MANUAL CONTROL VALVE	10-24
COOLING SYSTEM	
2.4L PSI ENGINE	3-8
YANMAR - 2.6L DIESEL	2-4
COUNTER/REVERSE CLUTCH	
SINGLE SPEED TRANSMISSION	6-18
COUNTERWEIGHT	1-2
COUNTERWEIGHT EXHAUST SYSTEM	
WITH CATALYTIC CONVERTER - PSI LPG	3-4
WITH CATALYTIC CONVERTER - PSI DUAL FUEL	3-6
COWL MOUNT	1-24
CRANKSHAFT AND PISTONS	
YANMAR - 2.6L DIESEL	2-26
CYLINDER BLOCK	
PSI 2.4L	3-26
YANMAR - 2.6L DIESEL	2-16
CYLINDER HEAD	
PSI 2.4L	3-28
YANMAR - 2.6L DIESEL	2-12

TABLE OF CONTENTS (continued)

DESCRIPTION	PAGE
D	
DCR COOLANT CIRCUIT	
PSI 2.4L	3-45
DIPSTICK	
PSI 2.4L	3-40
DISPLAY CLUSTER WITH STEERING WHEEL	5-12
DRIVE AXLE ASSEMBLY	7-2
DRIVE TIRE AND WHEEL	
MONARCH - NARROW TREAD	7-7
MONARCH - WIDE TREAD	7-8
TRELLEBORG - NARROW TREAD	7-6
E	
ECM MOUNT	
PSI 2.4L	3-23
ELECTRICAL ARRANGEMENT	5-2
ELECTRONIC THROTTLE LINKAGE	
YANMAR DIESEL	4-32
ENGINE ELECTRICAL SYSTEM	
PSI 2.4L	3-18
YANMAR DIESEL	5-4
ENGINE MOUNTING	
PSI 2.4L	3-12
YANMAR - 2.6L DIESEL	2-6
EXHAUST ADAPTER	
PSI 2.4L	3-52
EXHAUST MANIFOLD	
PSI 2.4L	3-50
EXHAUST SYSTEM	
YANMAR - 2.6L DIESEL	2-2
F	
FAN ASSEMBLY	
YANMAR - 2.6L DIESEL	2-10
FENDER EXTENSIONS	
WIDE TREAD	1-23
FIRE EXTINGUISHER	12-4
FLOORPLATES AND COVERS	1-20
FLYWHEEL AND HOUSING	
YANMAR - 2.6L DIESEL	2-8
FORKS	
OPTIONAL	1-29
STANDARD	1-28
FREE LIFT CYLINDER ASSEMBLY	
THREE STAGE FULL FREE LIFT	11-16
FRONT COVER AND OIL PAN	
PSI 2.4L	3-24
FRONT END AUXILIARY DRIVE	
2.4L LPG AND 2.4L DUAL FUEL	3-14

TABLE OF CONTENTS (continued)

DESCRIPTION	PAGE
FUEL FILTER	
YANMAR DIESEL	4-22
FUEL INJECTION	
YANMAR DIESEL	4-24
FUEL PUMP AND SENDER	
PSI-DUAL FUEL	4-10
FUEL RAIL	
PSI 2.4L DUAL FUEL	3-32
FUEL REGULATING SYSTEM	
2.4L PSI ENGINE	4-14
PSI 2.4L	3-38
FUEL SYSTEM	
PSI - WITHOUT LOW FUEL SENSOR	4-7
PSI-DUAL FUEL	4-8
YANMAR DIESEL	4-20
G	
GEAR HOUSING	
YANMAR - 2.6L DIESEL	2-20
GEAR PUMP ASSEMBLY	10-10
H	
HAND LEVERS	
2 AND 3 FUNCTION	10-12
4 FUNCTION	10-14
HEADER HOSE AND ATTACHING PARTS	
3 AND 4 FUNCTION	11-18
HOOD	1-8
HYDRAULIC CONTROL VALVE ASSEMBLY	
MANUAL CONTROL - THREE AND FOUR FUNCTION	10-16
HYDRAULIC FILTER	10-8
HYDRAULIC HOSES	
STEERING	10-4
TILT, HOIST AND AUXILIARY	10-6
HYDRAULIC SUPPLY AND RETURN	10-2
I	
IGNITION COIL	
PSI 2.4L	3-20
INLET HOUSING	
PSI 2.4L	3-43
INPUT/FORWARD CLUTCH	
SINGLE SPEED TRANSMISSION	6-16
INTAKE AND EXHAUST MANIFOLD	
YANMAR - 2.6L DIESEL	2-18
INTAKE MANIFOLD	
PSI 2.4L DUAL FUEL	3-48
PSI 2.4L LPG	3-46
INTEGRAL SIDE-SHIFT CARRIAGE	
THREE STAGE FULL FREE-LIFT	12-6

TABLE OF CONTENTS (continued)

DESCRIPTION	PAGE
INTEGRAL SIDE-SHIFT CYLINDER	12-10
INTEGRAL SIDE-SHIFT HYDRAULIC HOSES THREE STAGE FULL FREE-LIFT	12-8
L	
LABELS	
HYDRAULIC CONTROL LABELS - CONTROL LEVER	1-34
SHEET 1 OF 2	1-30
SHEET 2 OF 2	1-32
LIGHTS	
STOP, TAIL, TURN, BACKUP, AND STROBE - WITH OVERHEAD GUARD	5-14
LOAD BACKREST EXTENSION	1-26
LOCK-OFF VALVE	
2.4L PSI ENGINE	4-16
PSI 2.4L	3-36
LPG FUEL TANK AND MOUNTING	
STEEL STRAP	4-26
LUBRICATION SYSTEM	
YANMAR - 2.6L DIESEL	2-30
M	
MAIN LIFT CYLINDER ASSEMBLY	
THREE STAGE FULL FREE LIFT	11-12
MANUAL VALVE ANTI STALL GROUP	10-26
MAST ASSEMBLY	
INNER MAST AND FREE-LIFT	11-8
INTERMEDIATE MAST AND MAIN LIFT	11-4
OUTER MAST	11-2
MIRRORS	12-2
MIXER/EPR AND PCV AIR HOSES	
2.4L PSI ENGINE	4-18
PSI 2.4L LPG AND 2.4L DUAL FUEL	3-30
O	
OIL PAN	
YANMAR - 2.6L DIESEL	2-22
OIL PUMP AND FILTER	
PSI 2.4L	3-62
OVERHEAD GUARD	1-4
P	
PARK BRAKE	9-6
PISTON AND CRANKSHAFT	
PSI 2.4L	3-56
R	
RADIATOR ASSEMBLY	
PSI 2.4L LPG	3-10
RAIN TOP	1-6

TABLE OF CONTENTS (continued)

DESCRIPTION	PAGE
ROCKER COVER	
PSI 2.4L	3-54
S	
SEAT	
NON SUSPENSION - WITH MANUAL HYDRAULIC CONTROLS	1-10
SEAT (FULL SUSPENSION ATTACHING PARTS)	
NOT INCLUDED WITH SEAT - SHEET 4 OF 4	1-18
SEAT (FULL SUSPENSION)	
NON SWIVEL - SHEET 1 OF 4	1-12
RECLINER AND DAMPER KITS - SHEET 3 OF 4	1-16
SERVICE KITS FOR NON-SWIVEL - SHEET 2 OF 4	1-14
STARTER	
PSI 2.4L	3-22
STATOR SUPPORT HOUSING	6-14
STEER TIRE AND WHEEL	
MONARCH - NARROW TREAD	8-14
TRELLEBORG - NARROW TREAD	8-13
STEERING AXLE AND ATTACHING PARTS	8-10
STEERING COLUMN ASSEMBLY	
DIESEL - ISOLATED	8-8
LPG - NON-ISOLATED	8-6
STEERING CONTROL UNIT	8-16
STEERING CYLINDER	8-12
STEERING WHEEL AND COLUMN	
DIESEL - ISOLATED	8-4
LPG - NON-ISOLATED	8-2
T	
THERMOSTAT AND HOUSING	
PSI 2.4L	3-44
THROTTLE BODY	
2.4L PSI ENGINE	4-12
PSI 2.4L	3-34
THROTTLE CABLE	
MECHANICAL THROTTLE - YANMAR DIESEL	4-30
THROTTLE PEDAL ASSEMBLY	
STANDARD PEDAL	4-28
TILT CYLINDER AND MAST INSTALLATION	10-27
TILT CYLINDER ASSEMBLY	10-28
TORQUE CONVERTER	6-7
TORQUE CONVERTER HOUSING AND ATTACHING PARTS	
SINGLE SPEED - ALUMINUM CHAIN DRIVE	6-10
TRANSMISSION COOLING	
PSI LPG AND DUAL FUEL	6-4
YANMAR DIESEL	6-2
TRANSMISSION HOUSING AND ASSEMBLY	
SINGLE SPEED - ALUMINUM CHAIN DRIVE	6-8

TABLE OF CONTENTS (continued)

DESCRIPTION	PAGE
TRANSMISSION INTERFACE	
PSI 2.4L	3-16
TRANSMISSION MOUNT	
SINGLE SPEED - ALUMINUM CHAIN DRIVE	6-6
V	
VALVE ASSEMBLY OUTLET SECTION	
MANUAL CONTROL VALVE - THREE AND FOUR FUNCTION	10-22
VALVE ASSEMBLY, AUXILIARY ONE AND TWO	
MANUAL CONTROL VALVE - THREE AND FOUR FUNCTION	10-20
VALVE ASSEMBLY, LIFT AND TILT	
MANUAL CONTROL VALVE - THREE AND FOUR FUNCTION	10-18
W	
WATER OUTLET	
PSI 2.4L	3-42
WATER PUMP	
PSI 2.4L	3-41
YANMAR - 2.6L DIESEL	2-28
WIRE HARNESS	
ENGINE - PSI-LPG	5-26
ENGINE - PSI-DUAL FUEL	5-32
ENGINE - YANMAR DIESEL (POWERTRAIN)	5-38
FUSED ALTERNATOR - YANMAR 2.6L DIESEL	5-42
LIGHTS	5-24
RH CHASSIS - SHEET 1 OF 2	5-16
RH CHASSIS - SHEET 2 OF 2	5-18
RH CHASSIS WITH SEAT BELT SEQUENCE MODULE - SHEET 1 OF 2	5-20
RH CHASSIS WITH SEAT BELT SEQUENCE MODULE - SHEET 2 OF 2	5-22

ABBREVIATIONS QUICK REFERENCE SHEET

Listed below are abbreviations used in parts manuals to denote the following expressions:

TERM	DEFINITION	TERM	DEFINITION
Amp	Amperes	FRE	Freezer Environment
AR	As Required	in.	inches
BDI	Battery Discharge Indicators	LPG	Liquefied Petroleum Gas
BWI	Brush Wear Indicator	MAP	Manifold Absolute Pressure
CE	Communicator End	mm	millimeters
CRE	Corrosive Environment	MSTS	Microprocessor Spark Timing System
D/B	Date Break	NPT	National Pipe Threads
dbA	Decibel "A" Scale	O/S	Oversize
DE	Drive End	PTO	Power Take Off
ECH	Empty Container Handler	RPM	Revolutions per Minute
ECH-3	Empty Container Handler - 3 High Stacking	S/N	Serial Number
ECH-4	Empty Container Handler - 4 High Stacking	TMM	Truck Management Module
ECH-5	Empty Container Handler - 5 High Stacking	UL Type D	Diesel-Powered Safety Rating
ECH-6	Empty Container Handler - 6 High Stacking	UL Type DS	Diesel-Powered Safety Rating
ECH-7	Empty Container Handler - 7 High Stacking	UL Type E	Battery-Powered Safety Rating
ECM	Electronic Control Module	UL Type EE	Battery-Powered Safety Rating
ECN	Engineering Change Notice	UL Type ES	Battery-Powered Safety Rating
EEPROM	Electrically Erasable Programmable Read Only Memory	UL Type G	Gasoline-Powered Safety Rating
EPA	US Environmental Protection Agency	UL Type GS	Gasoline-Powered Safety Rating
EPROM	Electrically Programmable Read Only Memory	UL Type LP	Gas-Powered Safety Rating
		UL Type LPS	LP Gas-Powered Safety Rating
		U/S	Undersize
		UL	Underwriters Laboratory
		V	Volts

HOW TO USE THE ILLUSTRATED PARTS MANUAL

This parts manual describes and illustrates assemblies, subassemblies, and detail parts needed for service replacement.

The different constructions are indicated by keys and footnotes. The callouts correspond to descriptions found on the next page.

HYSTER UNIT CODE D001 NORTH AMERICA 06/2001

TABLE OF CONTENTS

DESCRIPTION	PAGE
AIR INTAKE AND FILTER DIESEL (⇒ D/B 11/98)	3-22
AIR INTAKE AND FILTER DIESEL (D/B 11/96 ⇒)	
AIR INTAKE AND FILTER GASOLINE AND LPG	
ALTERNATOR GASOLINE, LPG, AND DIESEL	
ALTERNATOR TYPES GS, LPS, AND DS	
AUXILIARY FUNCTION TUBE TWO AND THREE STAGE FULL F	

SECTION 13 NUMERICAL INDEX

PART NO.	PAGE NO.	ITEM NO.	PART NO.	PAGE NO.	ITEM NO.	PART NO.	PAGE NO.	ITEM NO.	PART NO.	PAGE NO.	ITEM NO.
142	3-4	19	10-13	25		11-27	29	12-31	12		
12445	3-32	19	10-17	6		11-31	25	16719	3-36	5	
	3-34	1	10-27	11		11-32	37	16751	3-16	27	
			11	11		8-4	29	16849	3-34	21	
			11	6	16485	8-4	45		3-38	20	
			12	11		8-4	45	16863	3-28	17	
			14	13		8-8	34	16865	3-6	18	
			12	6		9-7	9		4-27	41	
			3	17		9-7	19	16882	9-7	30	
			9	10		9-11	9		9-11	27	
			23	46		9-11	17		10-10	36	
			27	46		10-9	21		10-13	32	
			26	14		10-9	28		11-7	24	
			28	14		10-13	16		11-9	17	
			50	14		11-7	19				

SECTIONS

- 1
- 2
- 3
- 4
- 5 BRAKE/ACC
- 6
- 7 MAST-TWO STAG
- 8 MAST-THREE ST
- 9 MAST-TWO ST
- 10
- 11

TRANSMISSION HOUSING ⇒ S/N D001H-2628

KEY:
A: Diesel
B: Gasoline and LPG

ITEM	PART NO.	DESCRIPTION	QTY	
			A	B
1	202547	Transmission	1	1
2	2023329	Transmission	1	1
3	2021670	Case	2	2
4	2023418	Bearing Cap	4	4
5	296429	Washer	4	4
6	293947	Bolt	1	1
7	2021390	Cover	2	2
8	1371656	Colter Pin	4	4
9	2021915	O-Ring	1	1
10	2021329	Plug	4	4
11	2021675	Housing	22	22
12	2021336	Pin	39	39
13	287860	Lockwasher	1	1
14	292682	Hydraulic Pump	1	1
15	2021345	⇒ Figure 5-3	1	1
16	214364	Gasket	1	1
17	296418	Bolt	8	8
18	2021388	Washer	1	1
19	2021389	Temperature Switch	1	1
20	292531	Breather	9	9
21	292583	Dipstick	9	9
22	292515	Bolt	2	2
23	136692	Nut	3	3
24	292527	Bolt	3	2
25	292531	Capscrew	4	4
26	292583	Lockwasher	4	4
27	293637	Bolt	4	4
28	296420	Washer	1	1
996403		Transmission Kit (Includes Item 7)	1	1
996405		Transmission Kit (Includes Item 14)	1	1

This Parts Manual is divided into 11 major sections which are listed above. Quick be made by placing the right thumb on the tab of the desired section, bending the pages to the corresponding tab.

©Copy Right Date HYSTER COMPANY See Service Manual for service procedures. 5-15

HP990004

HOW TO FIND THE DESIRED PART NUMBER

WHEN THE PART NUMBER AND THE NEXT HIGHER ASSEMBLY IS NOT KNOWN:

1. Determine the function and application of the part required. Turn to the Sections Page. Choose the general area of reference most likely to include the part.
2. Turn to the section you chose. Use the Section Table of Contents to determine the assembly which would normally contain the part required. Then locate the part on the assembly breakdown page.

WHEN THE PART NUMBER IS NOT KNOWN AND THE NEXT HIGHER ASSEMBLY IS KNOWN:

3. Determine the assembly the required part is used on. Turn to the Table of Contents (Page i).
4. Locate the assembly the required part is used on and turn to the page indicated for that assembly. Then locate the part on the assembly breakdown page.

WHEN THE PART NUMBER IS KNOWN:

5. Use the Numerical Index (Page 13-1) to find the part number. Turn to the page listed and locate the part as indicated by the item number.

GENERAL:

The assembly breakdowns include part numbers, descriptions, quantities required, keys and footnotes to help in selecting correct parts.

6. Parts Supersession Information. Part numbers that have this history will be displayed in the parts list in the order that they were superseded (from oldest to newest). The superseded part numbers will be shown with a line through them.

Five periods in the PART NO. column (.) indicate that the part is either *Not Serviced Separately* or there is a reference to another figure. A figure reference is denoted by a pointing hand followed by a figure number in the DESCRIPTION column (☞ Figure 10)

7. Keys are used to show two or more similar assemblies, RH and LH assembly parts, etc. Select the appropriate key, "A", "B", "C", "D", or "E" and the corresponding quantity column to find the required parts. Two periods in the QTY column (..) indicate that the part is not used for that assembly.
8. Indented descriptions under the DESCRIPTION column are used to indicate assemblies and

subparts of assemblies. In the example on the previous page, *BEARING CAP* (Item 2) is a subpart of the major assembly *CASE*.

9. Quantities shown are for one assembly. The quantities of the subpart *BEARING CAP* are indicated as two and two. This means two per *CASE* assembly.
10. Serial number breaks identify the most current parts information and are shown as follows:
 - **S/N D001H2628**
Indicates last serial number affected.
 - S/N D001H2629** →
Indicates the first serial number affected.
 - S/N D001H1553** ↔ **S/N D001H3291**
Indicates a range of serial numbers affected.

ECN numbers for pending serial numbers are shown to allow for the inclusion of the most current parts information and are identified as follows:

→ **S/N Pending Per ECN 63243**

Indicates a pending serial number for last unit affected.

S/N Pending Per ECN 63243 →

Indicates a pending serial number for first unit affected.

Date breaks are used to indicate when a change occurred but a subsequent serial number break was not recorded. This is an arbitrary date usually based on the ECN release and are identified as follows:

→ **D/B 3/00**

Indicates that a change occurred sometime within that month for the item affected.

D/B 3/00 →

Indicates that a change occurred sometime within that month for the item affected.

D/B 3/00 ↔ **D/B 4/00**

Indicates a range of production dates of the item affected.

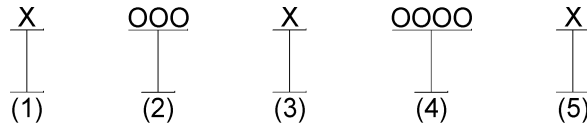
Contact your local dealer for Hyster lift trucks for serial number information for items with a ECN or a date break.

ORDERING PARTS:

When ordering replacement parts, give the unit serial number, part number, name of part and quantity required.

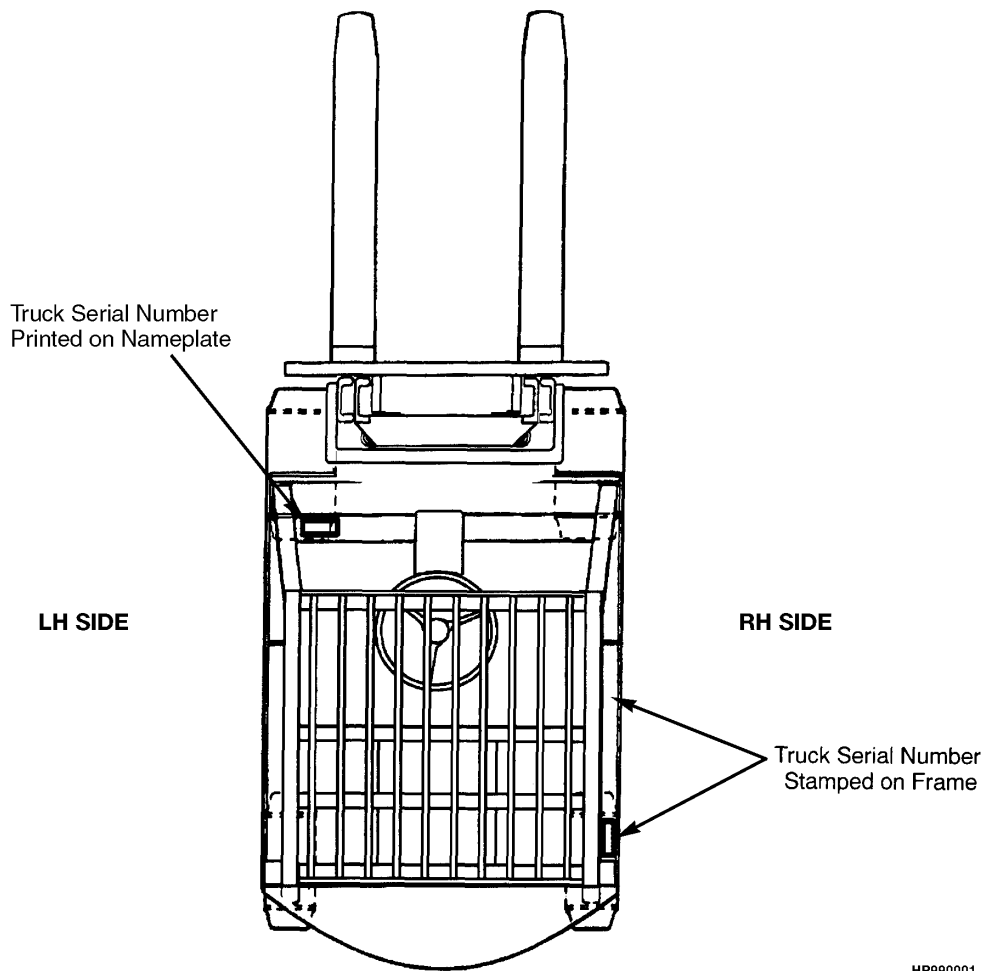
For any further information on parts, service, or ordering, consult your local dealer for Hyster lift trucks.

IDENTIFICATION OF TRUCK SERIAL NUMBERS



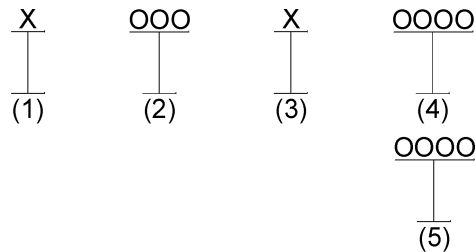
- (1) and (2) The first letter and three numbers indicate the truck unit code.
- (3) The second letter indicates the plant of manufacture.
- (4) The four or five digit number indicates the production sequence number of the truck.
- (5) The final letter indicates the year of manufacture starting with "A" in 1957, 1980, and 2003. The letters "I", "O", and "Q" will not be used.

For pending serial numbers contact your local dealer for Hyster lift trucks.



HP990001

Parts referred to in this book as right or left hand parts are in accordance with the illustration above.

IDENTIFICATION OF MAST SERIAL NUMBERS

- (1) and (2) The first letter and number indicates the mast unit code.
- (3) The second letter indicates the plant of manufacture.
- (4) The four or five digit number indicates the production sequence number of the mast.
- (5) Carriage travel in millimeters stamped just below the serial number.

Mast Group identification consists of mast unit code (1) and (2) plus carriage travel (5).

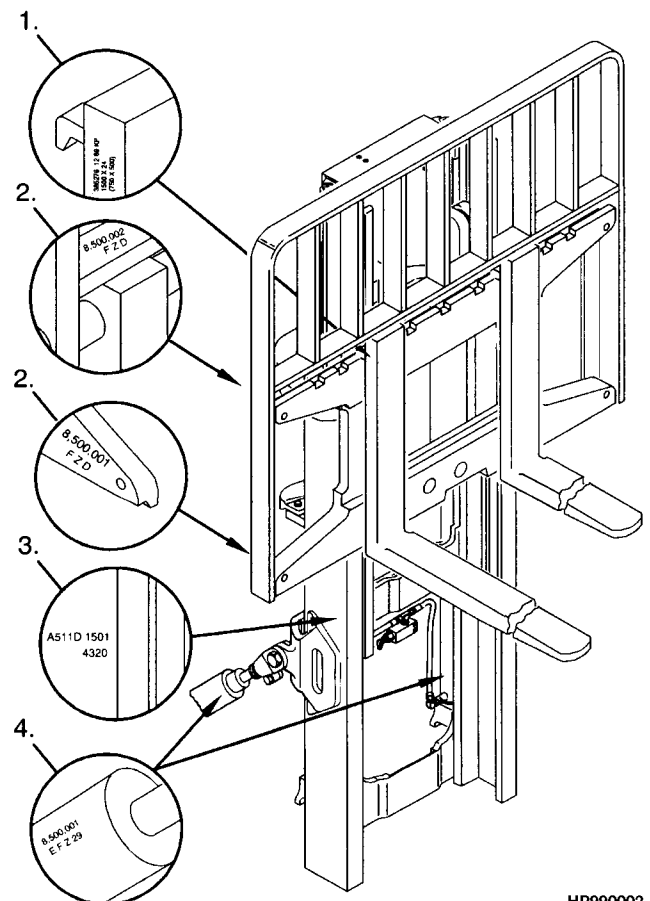
For pending production sequence numbers contact your local dealer for Hyster lift trucks.

LIFT EQUIPMENT IDENTIFICATION

1. Fork part number, capacity rating, plant code letter, and date of manufacture are stamped approximately six inches below the top of most forks.
2. The carriage group number is stamped on the right hand side of the top crossmember (pin type) or on the back of the right hand end of the bottom crossmember (hook type). A date code has two letters in line with or below the carriage group number.
3. The mast identification number has a unit code, a letter indicating the plant of manufacture, and a serial number. Underneath the production sequence number is a four digit number that indicates the carriage travel in millimeters.
4. Tilt and lift cylinder group numbers are stamped on the cylinder shell.

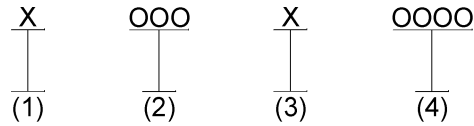
Always refer to the group, serial, or part number when ordering service parts.

Modification of masts and carriages by SPED (Special Products Engineering Department) are identified by a model prefix code beginning with the letter "S". contact your dealer for Hyster lift trucks for information on these assemblies.

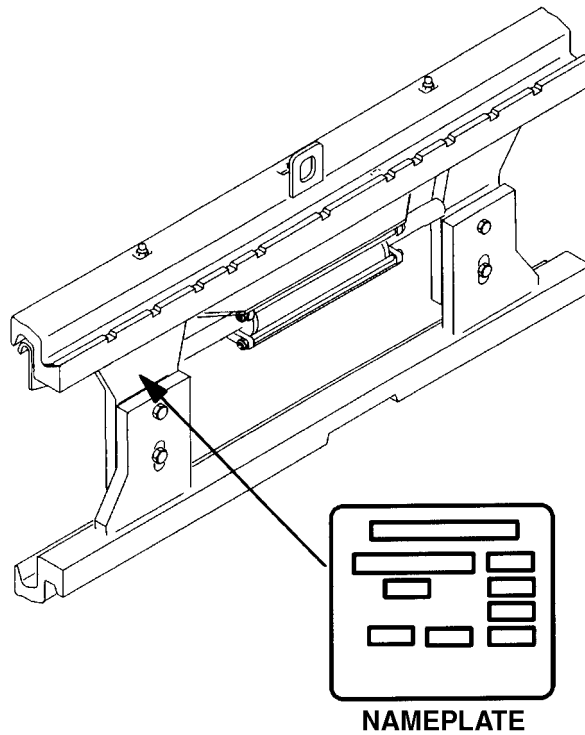


HP990002

IDENTIFICATION OF ATTACHMENT AND SIDE-SHIFT CARRIAGE SERIAL NUMBERS



- (1) and (2) The first letter and three numbers indicate the attachment unit code.
 - (3) The second letter indicates the plant of manufacture.
 - (4) The four or five digit number indicates the production sequence number.
- For pending production sequence numbers contact your local dealer for Hyster lift trucks.



HP990003

Side-shift carriages and attachments have nameplates. Use the serial number found on the nameplate to identify the attachment.

Always refer to the group, serial, or part number when ordering service parts.

Modifications of attachments and side-shift carriages by SPED (Special Products Engineering Department) are identified by a model prefix code beginning with the letter "S". Contact your dealer for Hyster lift trucks for information on these assemblies.

PUBLICATIONS

Every new lift truck is provided with an OPERATING MANUAL. This manual has information that the operator must know for inspection and operation of the lift truck.

SERVICE MAINTENANCE MANUALS, which provide service and overhaul procedures, and PARTS

MANUALS with complete replacement part identification, are available at a nominal fee from your Hyster dealer to assist users in effectively maintaining Hyster lift trucks in a safe, useful condition. See the list below for information on ordering specific publications for this model lift truck.

PUBLICATION	HYSTER PART NUMBER
Operating Manual.....	4120734
Service Manual (Complete).....	4120813
Parts Manual.....	4120805

1

FRAME