

**SERVICE REPAIR**

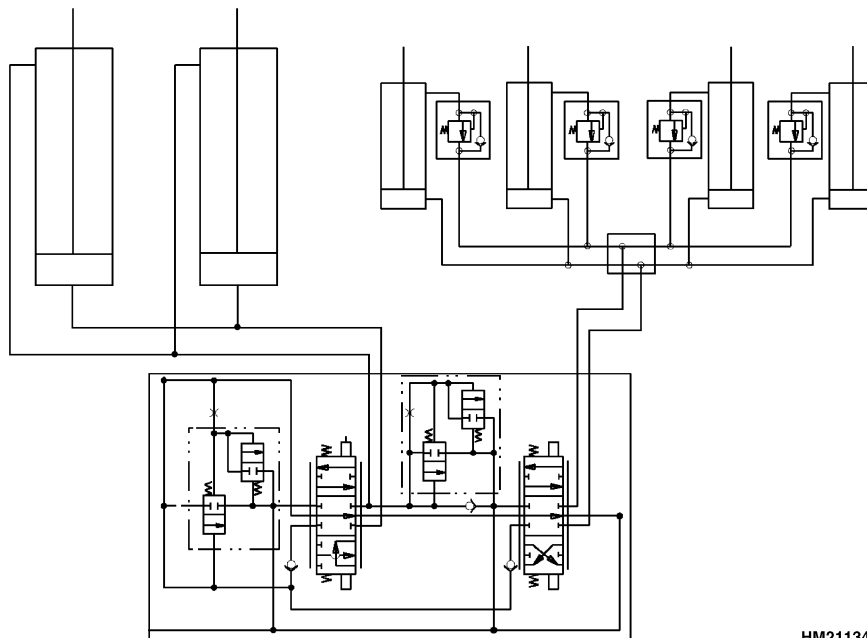
**MANUAL**

Hyster E117 (H1050HD-CH, H1150HD-CH) Forklift

***HYSTER***

# DIAGRAMS

H40.00-52.00XM-16CH  
(H1050, 1150HD-16CH) [E117]



# ***HYSTER***

# SAFETY PRECAUTIONS

## MAINTENANCE AND REPAIR

- When lifting parts or assemblies, make sure all slings, chains, or cables are correctly fastened, and that the load being lifted is balanced. Make sure the crane, cables, and chains have the capacity to support the weight of the load.
- Do not lift heavy parts by hand, use a lifting mechanism.
- Wear safety glasses.
- **DISCONNECT THE BATTERY CONNECTOR** before doing any maintenance or repair on electric lift trucks. Disconnect the battery ground cable on internal combustion lift trucks.
- Always use correct blocks to prevent the unit from rolling or falling. See **HOW TO PUT THE LIFT TRUCK ON BLOCKS** in the **Operating Manual** or the **Periodic Maintenance** section.
- Keep the unit clean and the working area clean and orderly.
- Use the correct tools for the job.
- Keep the tools clean and in good condition.
- Always use **HYSTER APPROVED** parts when making repairs. Replacement parts must meet or exceed the specifications of the original equipment manufacturer.
- Make sure all nuts, bolts, snap rings, and other fastening devices are removed before using force to remove parts.
- Always fasten a **DO NOT OPERATE** tag to the controls of the unit when making repairs, or if the unit needs repairs.
- Be sure to follow the **WARNING** and **CAUTION** notes in the instructions.
- Gasoline, Liquid Petroleum Gas (LPG), Compressed Natural Gas (CNG), and Diesel fuel are flammable. Be sure to follow the necessary safety precautions when handling these fuels and when working on these fuel systems.
- Batteries generate flammable gas when they are being charged. Keep fire and sparks away from the area. Make sure the area is well ventilated.

**NOTE:** The following symbols and words indicate safety information in this manual:



### **WARNING**

**Indicates a condition that can cause immediate death or injury!**



### **CAUTION**

**Indicates a condition that can cause property damage!**

## TABLE OF CONTENTS

Diagrams, Schematics, or Arrangements .....	1
Figure 1. Electrical Schematic .....	2
Figure 2. Hydraulic Schematic.....	26
Figure 3. Carriage and Attachments Hydraulic Schematic .....	28
Figure 4. Hydraulic Transmission Schematic .....	30

<p style="text-align: center;">This section is for the following models:</p> <p style="text-align: center;">H40.00-52.00XM-16CH (H1050, 1150HD-16CH) [E117]</p>
---

**Thanks very much for your reading,  
Want to get more information,  
Please click here, Then get the complete  
manual**

**JustClickHere** 

**NOTE:**

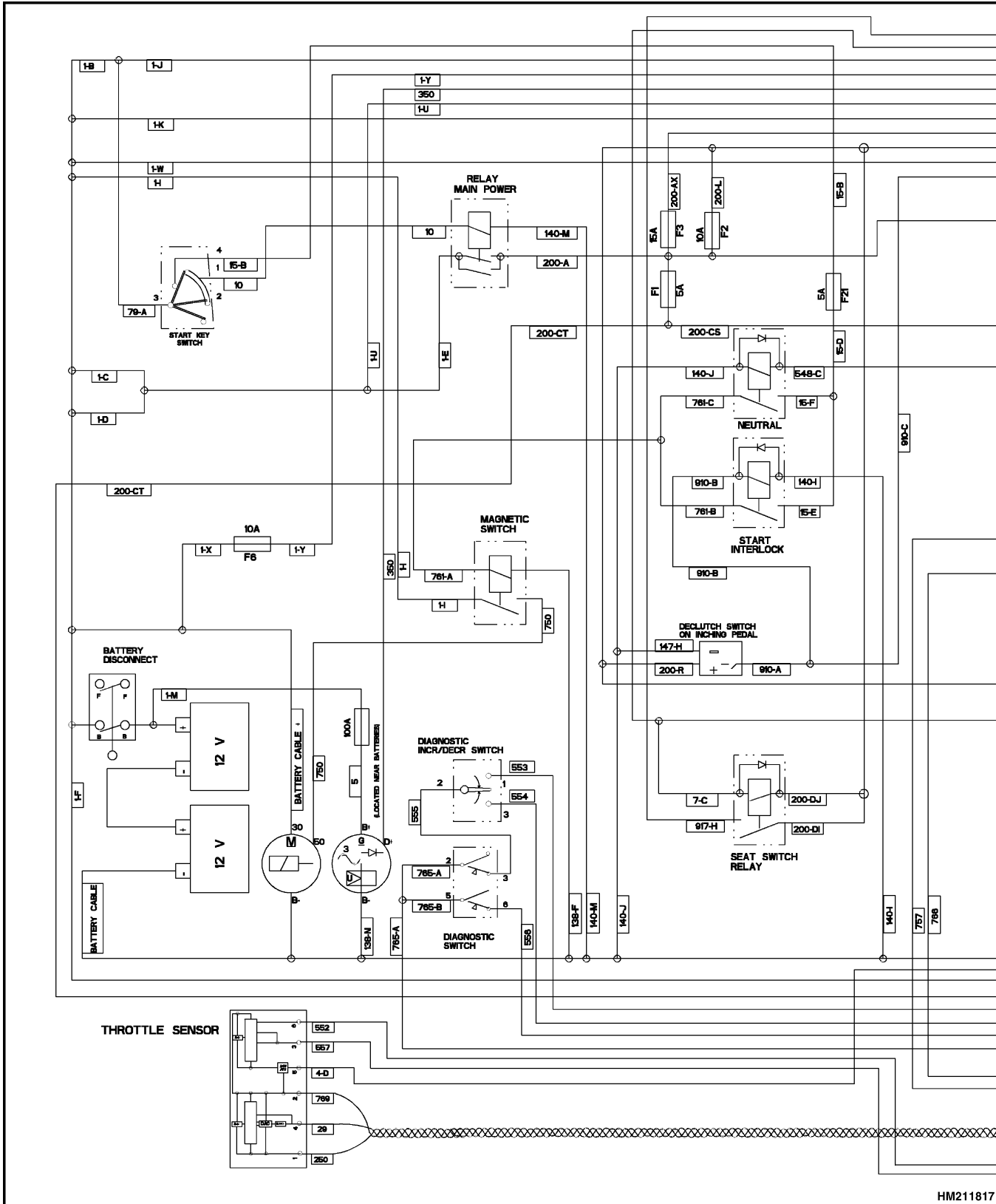
**If there is no response to click on the link above,  
please download the PDF document first, and then  
click on it.**

**Have any questions please write to me:  
[admin@servicemanualperfect.com](mailto:admin@servicemanualperfect.com)**

**"THE  
QUALITY  
KEEPERS"**

**HYSTER  
APPROVED  
PARTS**





HM211817



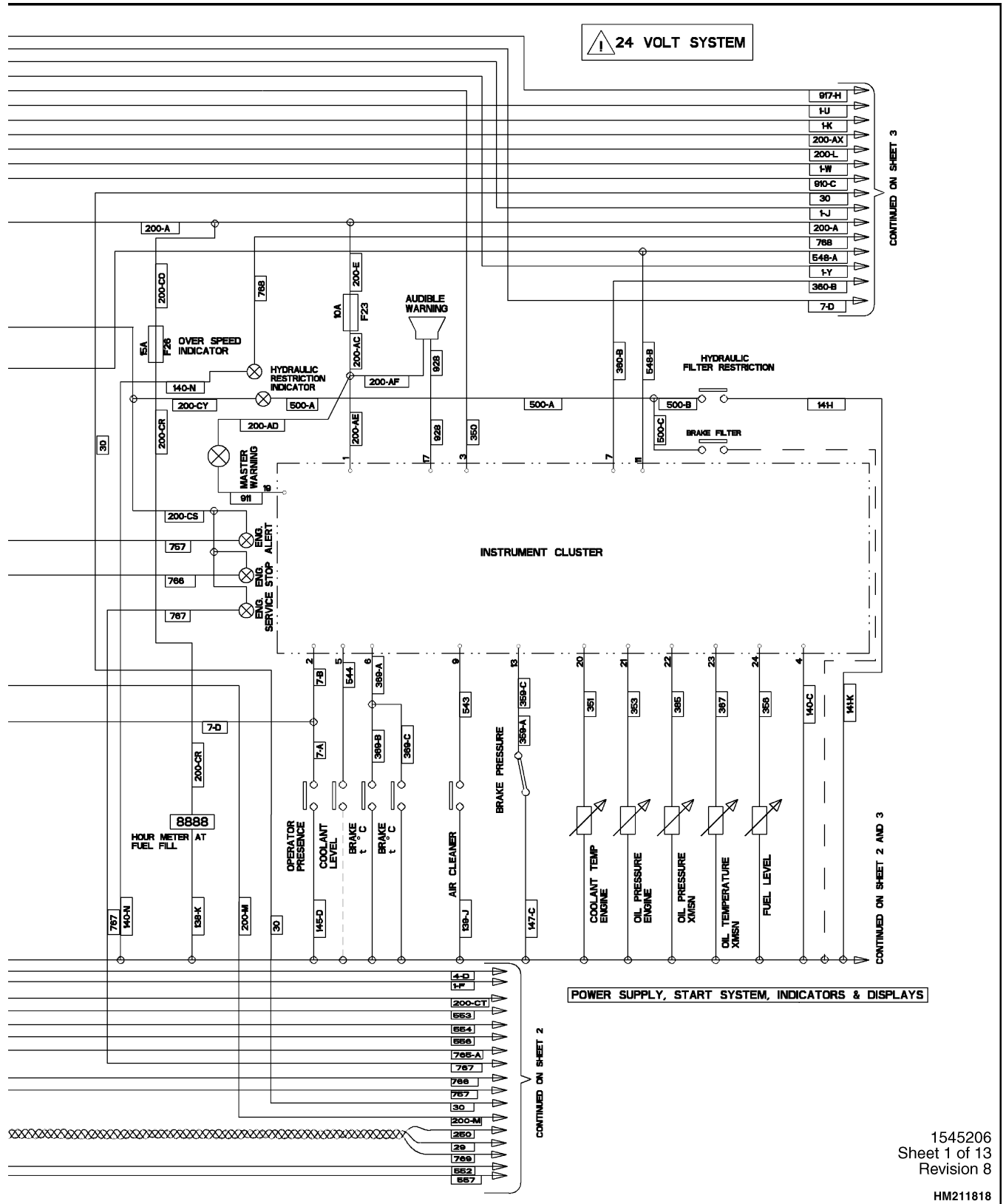
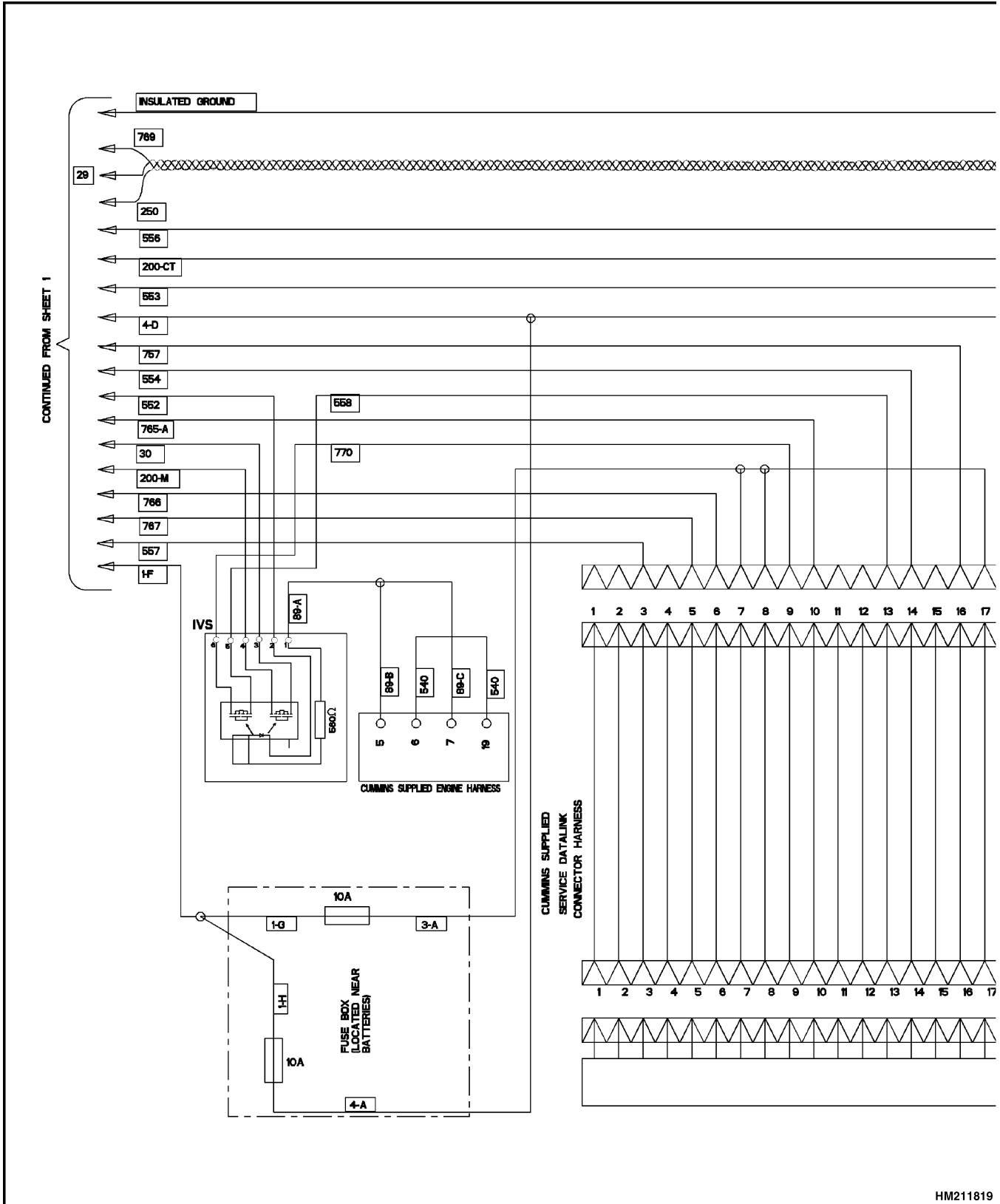


Figure 1. Electrical Schematic (Sheet 1 of 12)

1545206  
 Sheet 1 of 13  
 Revision 8

HM211818



HM211819

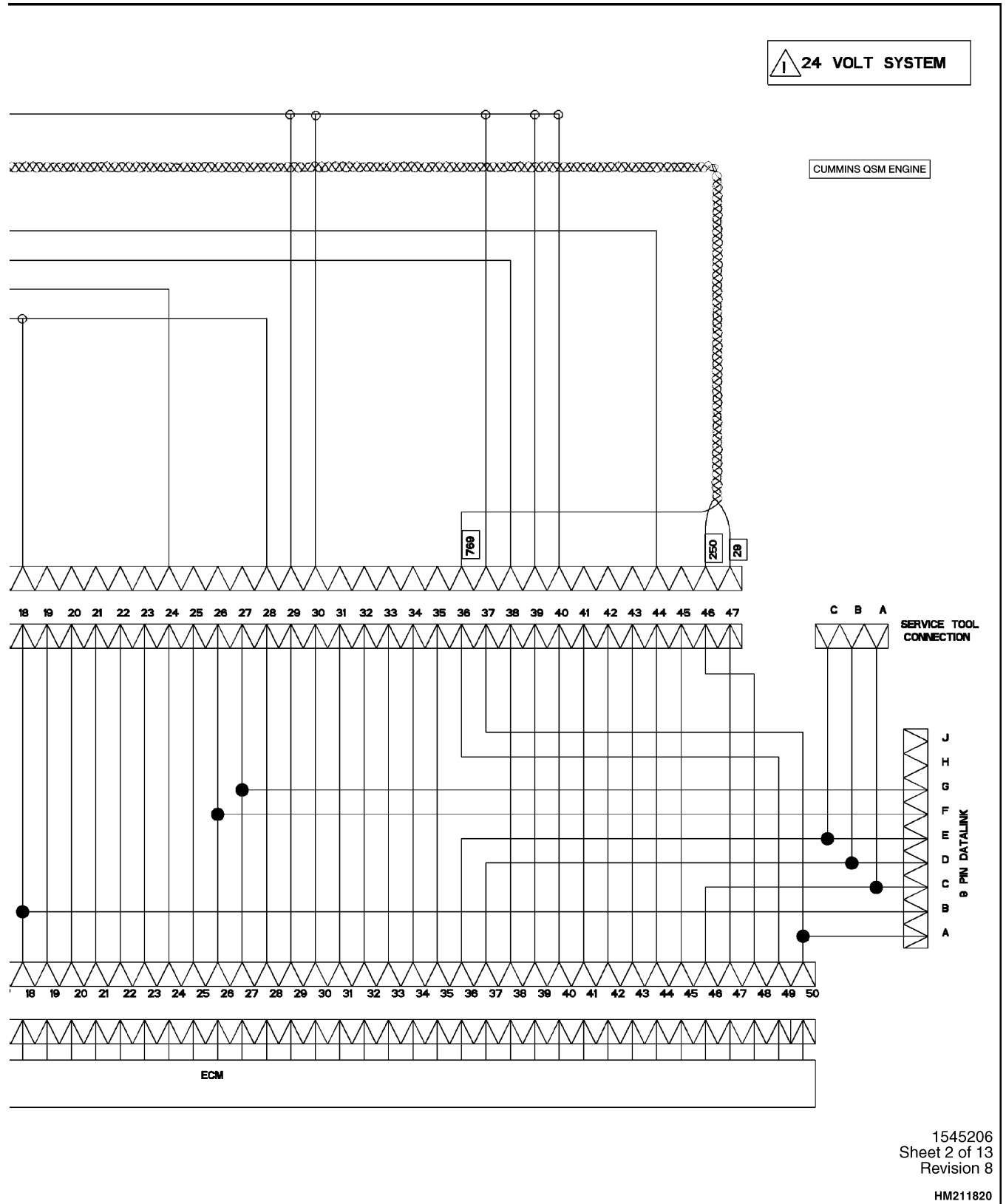
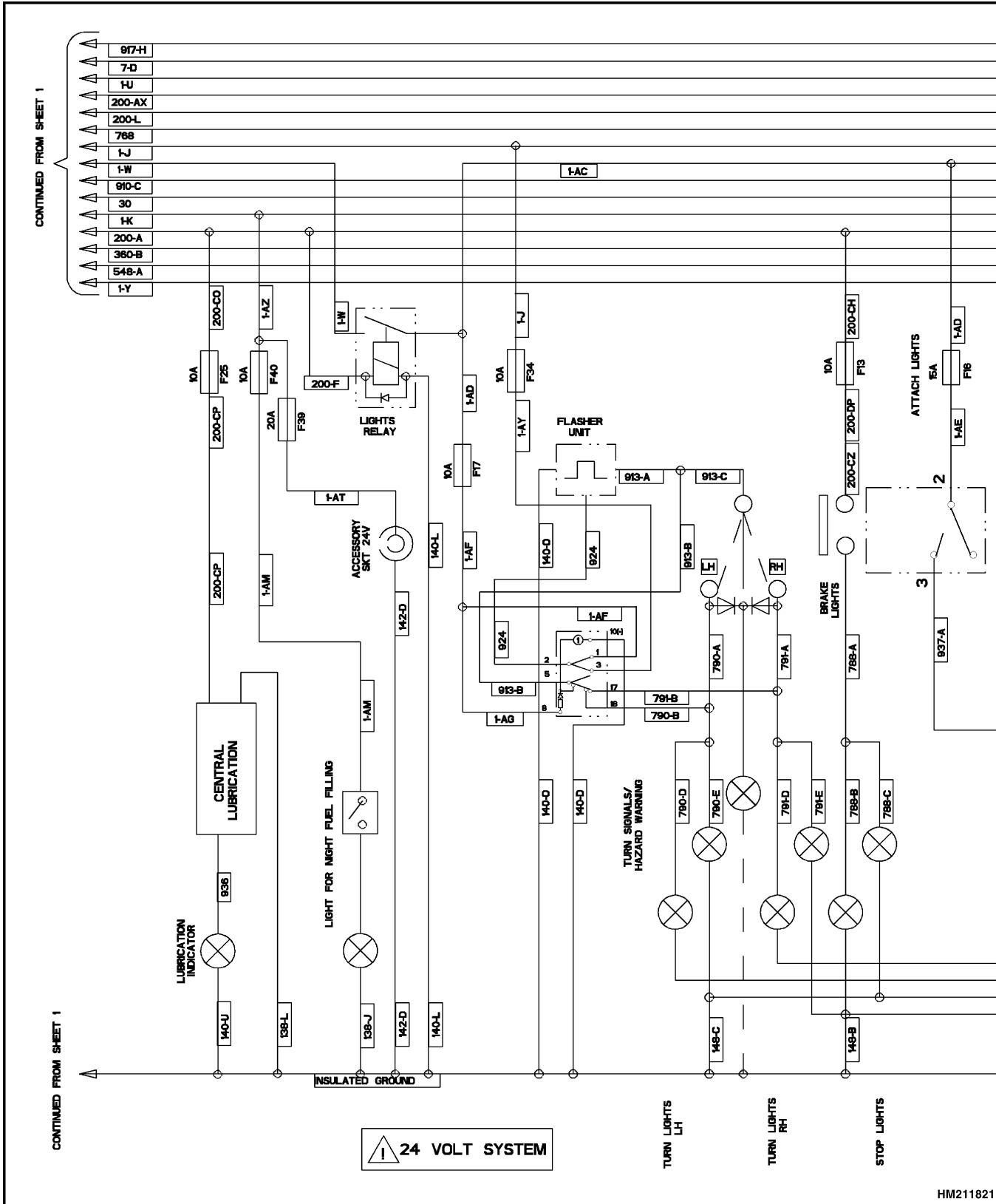


Figure 1. Electrical Schematic (Sheet 2 of 12)



HM211821

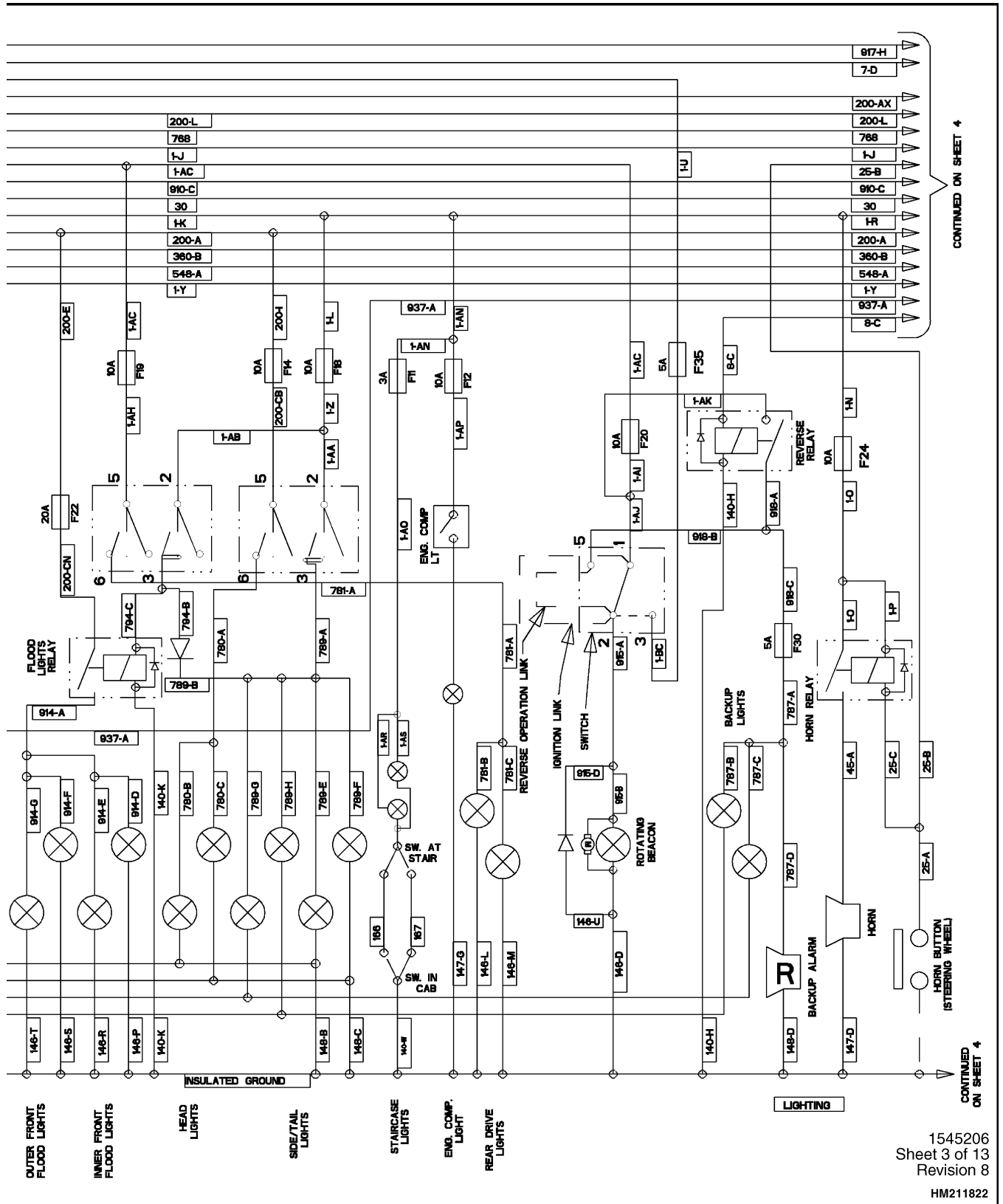
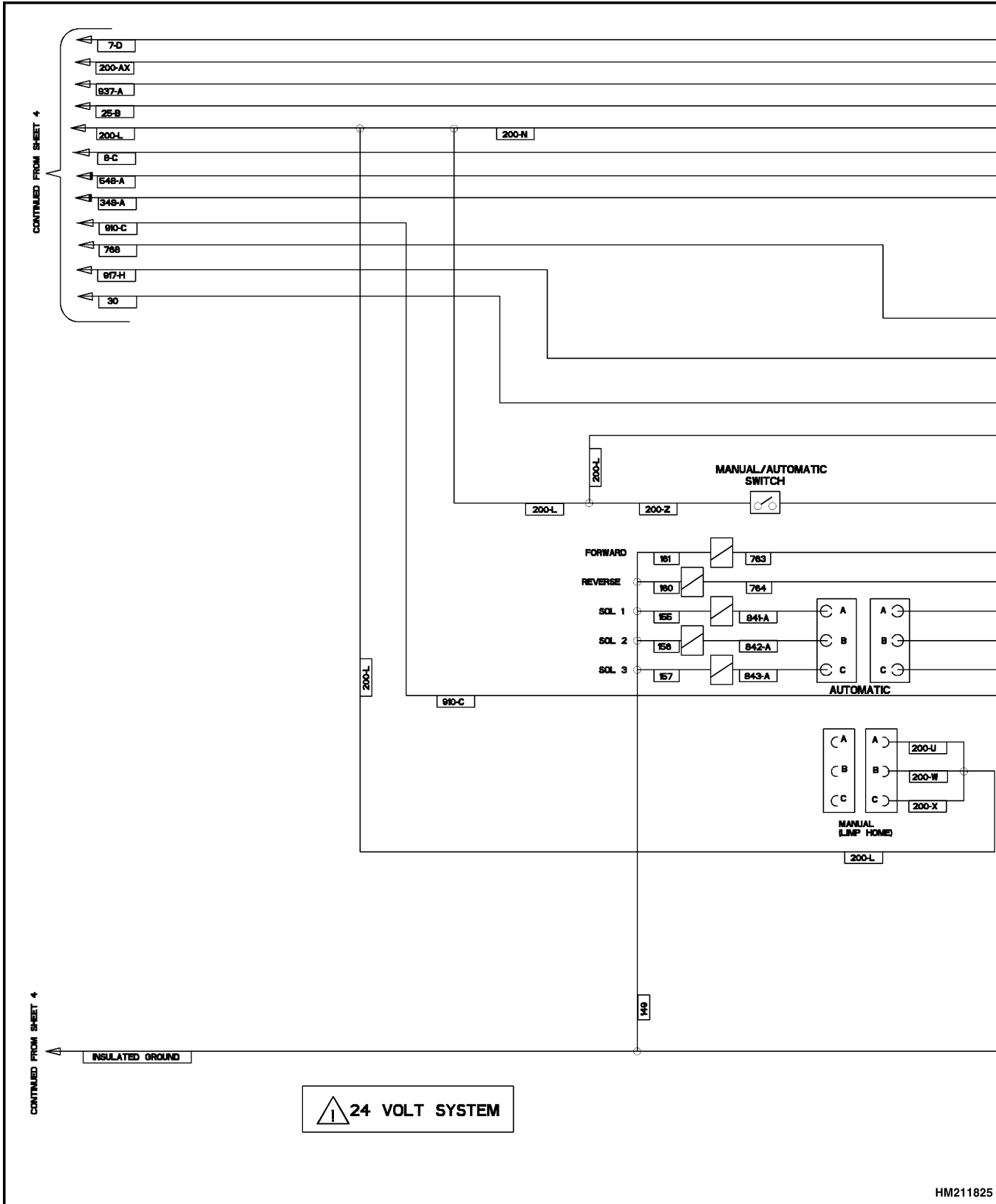


Figure 1. Electrical Schematic (Sheet 3 of 12)







HM211825



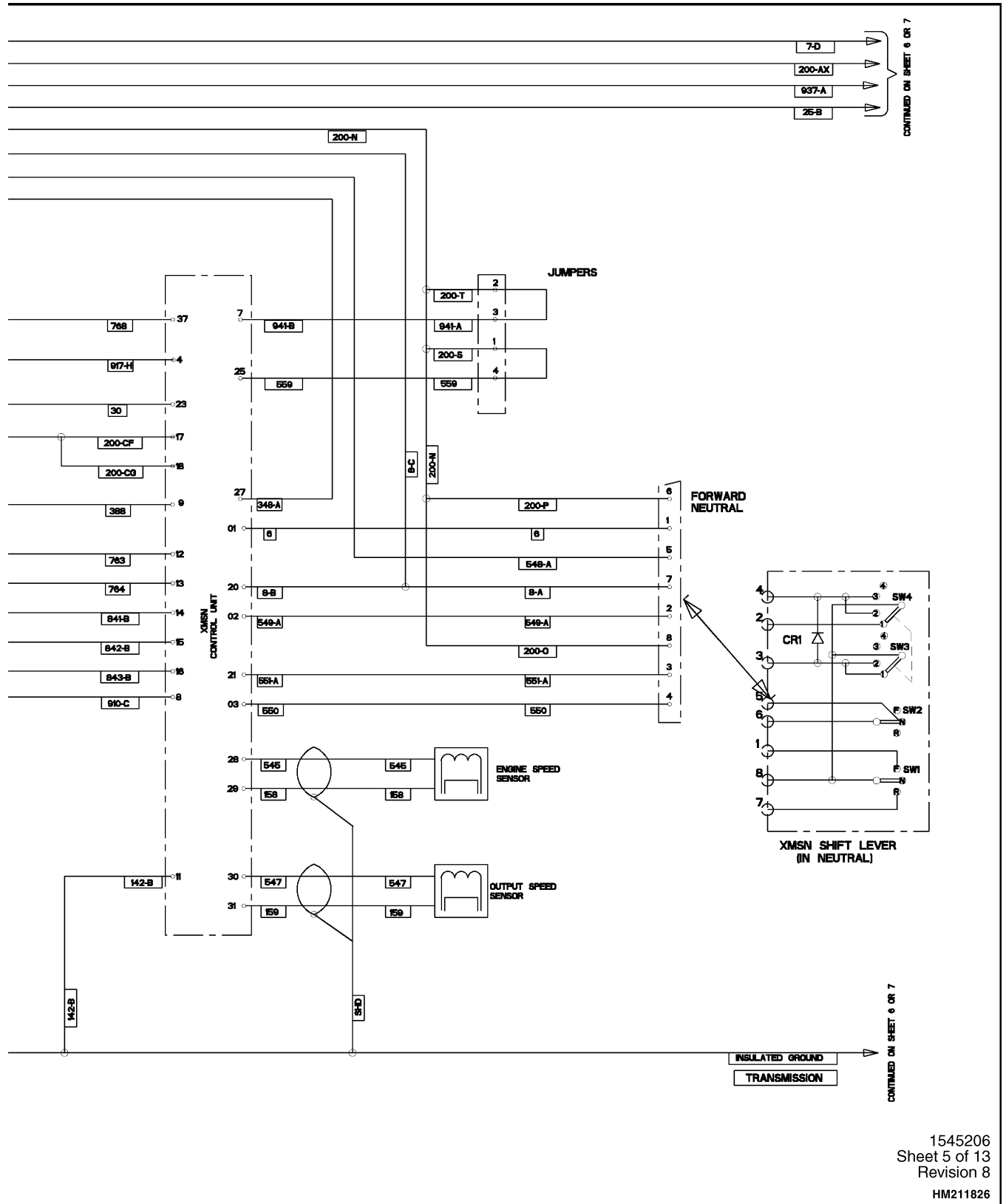
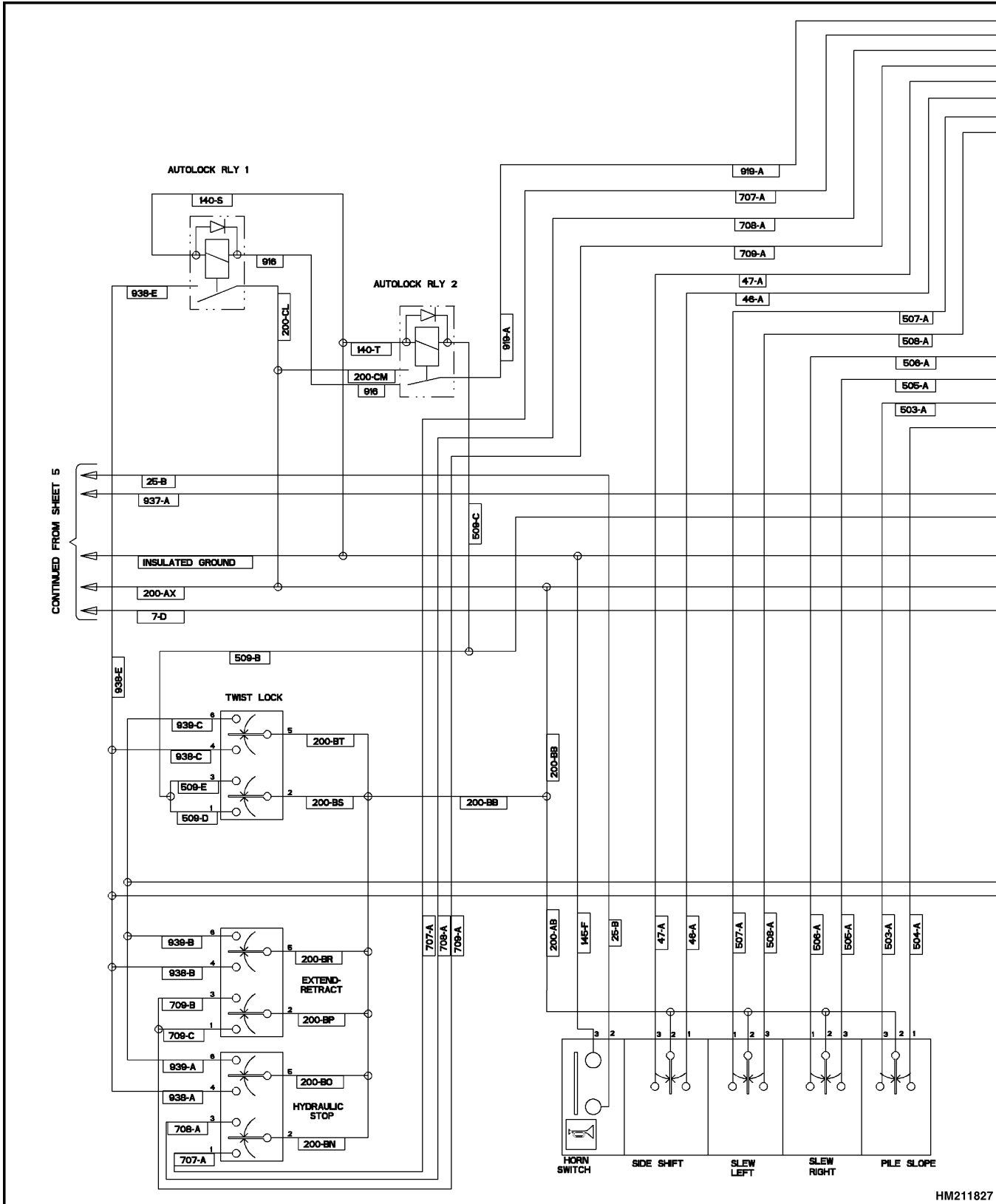


Figure 1. Electrical Schematic (Sheet 5 of 12)



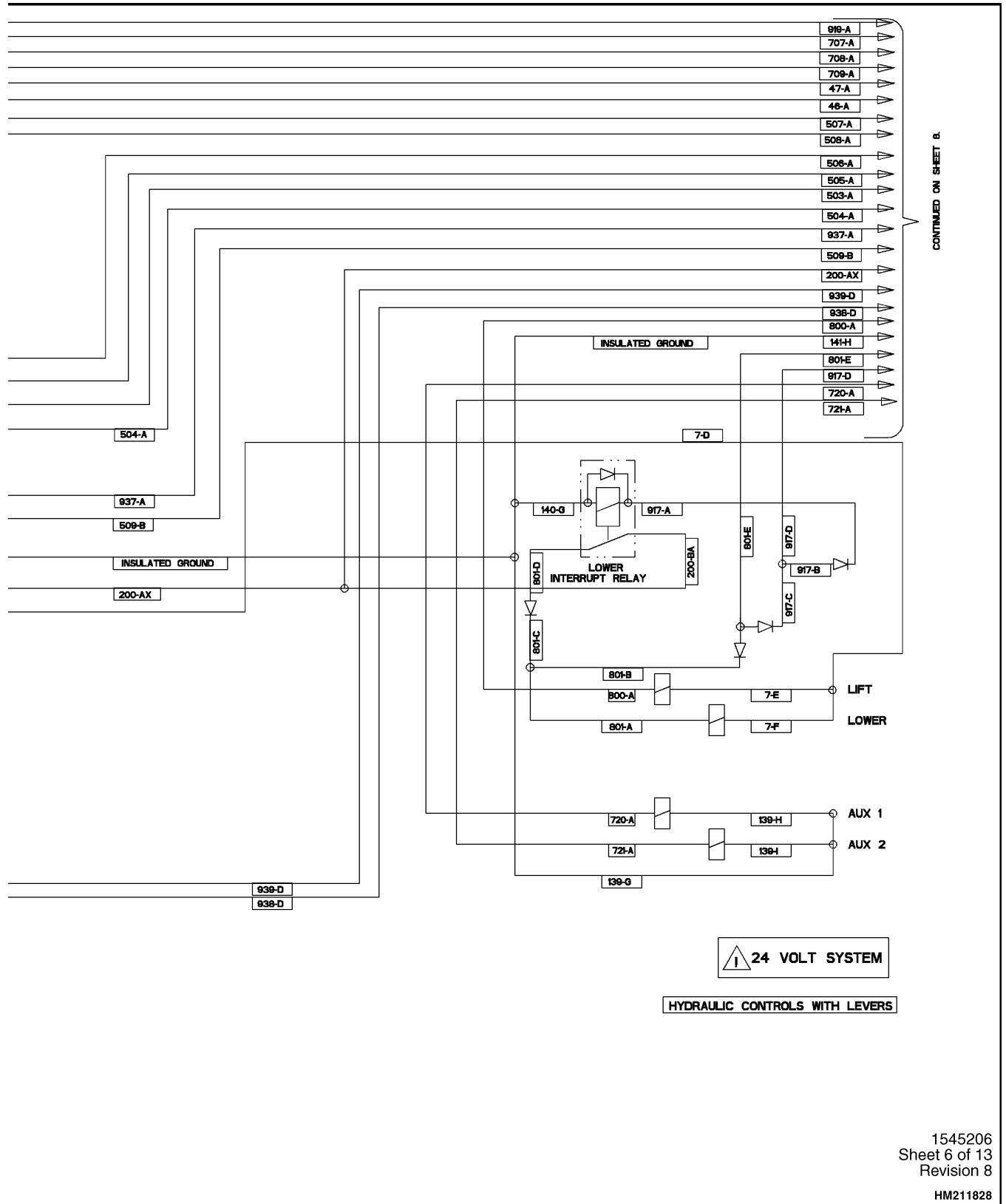
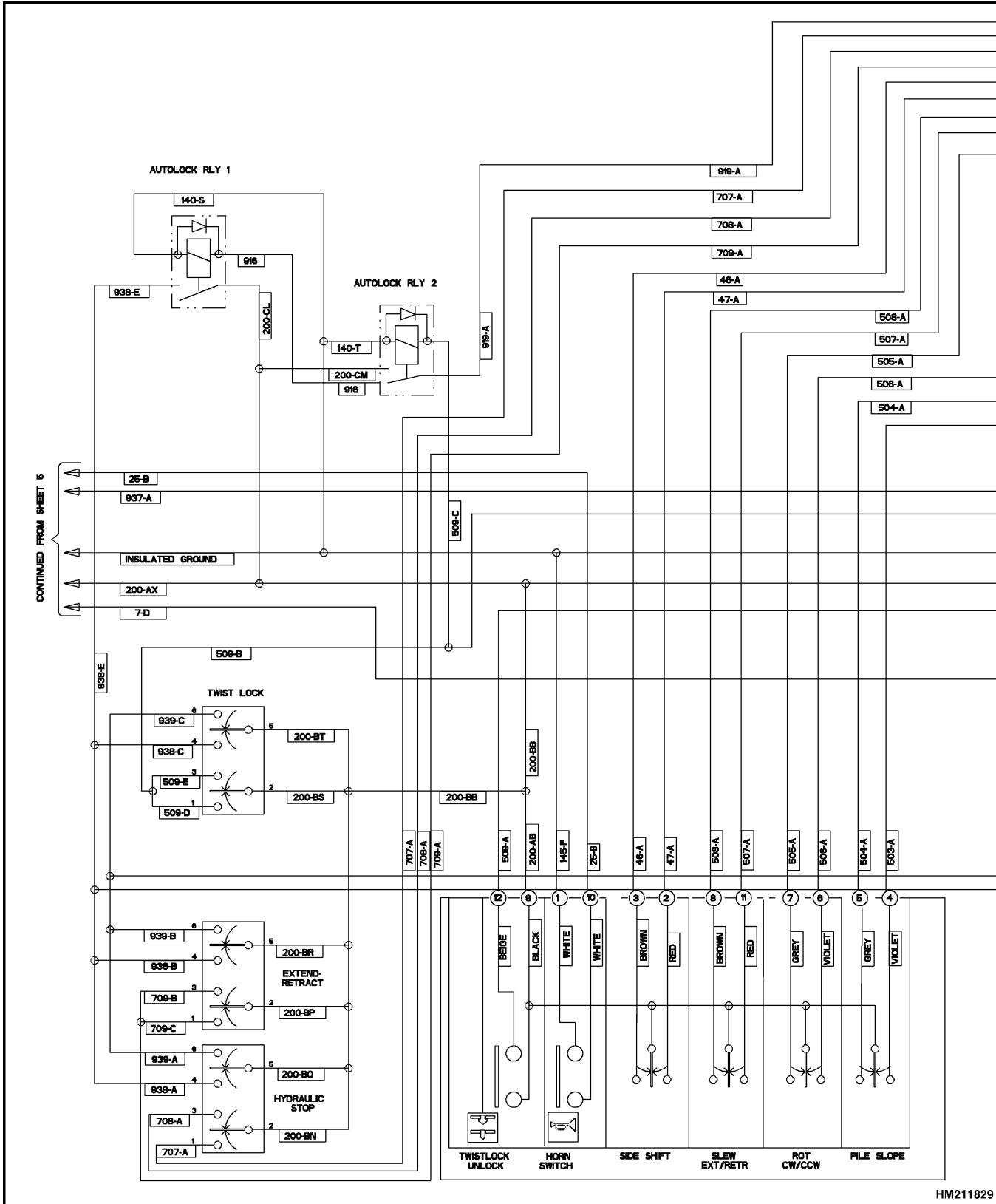
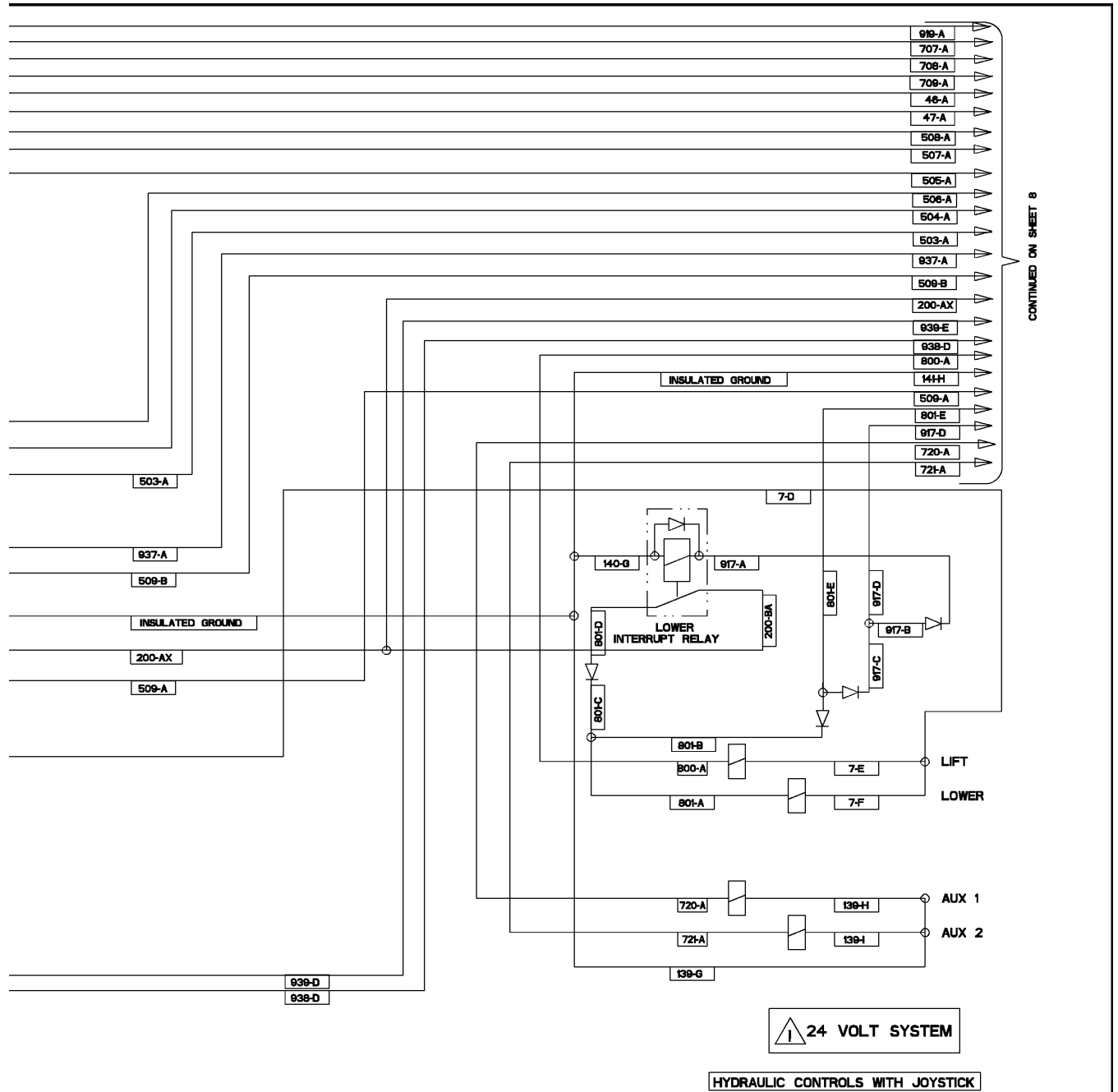


Figure 1. Electrical Schematic (Sheet 6 of 12)



HM211829



1545206  
 Sheet 7 of 13  
 Revision 8

HM211830

Figure 1. Electrical Schematic (Sheet 7 of 12)