

PARTS MANUAL

CHALLENGER

**H70XM-H120XM
(L005)**

CUSTOMER EDITION

HYSTER

SECTIONS

1	FRAME
2	ENGINE ASSEMBLY
3	FUEL SYSTEM
4	ELECTRICAL SYSTEM
5	TRANSMISSION
6	DRIVE AXLE
7	STEERING SYSTEM
8	BRAKE SYSTEM
9	HYDRAULIC SYSTEM
10	MAST-TWO STAGE LIMITED FREE-LIFT
11	MAST-TWO STAGE FULL FREE-LIFT
12	MAST-THREE STAGE FULL FREE-LIFT
13	OPTIONS
14	NUMERICAL INDEX

This Parts Manual is divided into 14 major sections which are listed above. Quick reference to these sections can be made by placing the right thumb on the tab of the desired section, bending the book back and thumbing the pages to the corresponding tab.

TABLE OF CONTENTS

DESCRIPTION	PAGE
A	
ACCUMULATOR	
MAST LOAD DAMPENING.....	13-42
AIR FILTER	
DIESEL TIER II.....	3-4
GAS AND LPG.....	3-18
AIR INTAKE AND FILTER SYSTEM	
DIESEL TIER II.....	3-2
GAS AND LPG.....	3-16
ALTERNATOR	
PRESTOLITE BRAND	
GS, LPS, DS	4-22
ASSEMBLED ENGINE	
DIESEL TIER II.....	2-18
AUXILIARY TUBE EXTENSION KIT	
TWO AND THREE STAGE FULL FREE-LIFT	13-64
TWO STAGE LIMITED FREE-LIFT.....	13-62
B	
BACK-UP ALARM	13-4
BRAKE ASSEMBLY	
H100-120XM.....	8-12
H70-90XM.....	8-8
BRAKE SYSTEM.....	8-2
C	
CAB	
ATTACHING PARTS	
1 OF 6	13-16
2 OF 6	13-18
3 OF 6	13-20
4 OF 6	13-22
5 OF 6	13-24
6 OF 6	13-26
DOOR ASSEMBLY	
LEFT HAND	13-28
RIGHT HAND.....	13-30
WIRE HARNESSSES	13-32
CAB WIRE HARNESS	
HEADLIGHT AND HANDHELD LIGHT	13-35
WORKLIGHTS AND STROBE LIGHT	13-34
CAMSHAFT AND OIL PAN	
GASOLINE AND LPG	
4.3L EPA COMPLIANT.....	2-54
CARRIAGE	
THREE STAGE FULL FREE-LIFT	12-30
TWO STAGE FULL FREE-LIFT	11-18
TWO STAGE LIMITED FREE-LIFT.....	10-14
CONTROL VALVE	
TRANSMISSION.....	5-16
COOLING SYSTEM	2-4

**Thanks very much for your reading,
Want to get more information,
Please click here, Then get the complete
manual**

JustClickHere 

NOTE:

**If there is no response to click on the link above,
please download the PDF document first, and then
click on it.**

**Have any questions please write to me:
admin@servicemanualperfect.com**

TABLE OF CONTENTS (Continued)

DESCRIPTION	PAGE
C (continued)	
COUNTERWEIGHTS	1-16
CRANKSHAFT AND PISTONS	
DIESEL TIER II	2-26
CYLINDER BLOCK	
DIESEL TIER II	2-20
GASOLINE AND LPG	
4.3L EPA COMPLIANT	2-52
CYLINDER HEAD	
GASOLINE AND LPG	
4.3L EPA COMPLIANT	2-62
CYLINDER HEAD AND INDUCTION MANIFOLD	
DIESEL TIER II	2-22
D	
DIFFERENTIAL ASSEMBLY	6-5
DIRECTIONAL CLUTCH	
FORWARD	5-14
DISTRIBUTOR ASSEMBLY	
4.3 L EPA COMPLIANT ENGINE	4-21
DRIP SHIELD	
GASOLINE AND LPG	
4.3L EPA COMPLIANT	2-68
DRIVE AXLE	6-2
DRIVE TIRES AND WHEELS	
DUAL	13-70
SINGLE	
H70-H90XM	6-6
H90-H120XM	6-8
DUAL MIRRORS	
WITHOUT CAB	13-14
E	
ELECTRICAL SYSTEM	
ALTERNATOR AND BATTERY	
G, GS, LPG AND LPS	4-10
COWL	4-2
DIESEL TIER II	4-14
ENGINE COMPARTMENT	
GASOLINE AND LPG	4-8
TYPE DS	4-18
ENGINE ASSEMBLY	
GASOLINE	
4.3 L EPA COMPLIANT	2-48
LPG	
4.3 L EPA COMPLIANT	2-46
ENGINE BELT DRIVE AND ALTERNATOR MOUNTING	
4.3L EPA COMPLIANT ENGINE	2-10
ENGINE FUEL SYSTEM	
4.3 L EPA COMPLIANT	

TABLE OF CONTENTS (Continued)

DESCRIPTION	PAGE
E (continued)	
LPG	3-22
ENGINE MOUNT	
DIESEL TIER II	2-16
ENGINE MOUNTING	
GASOLINE AND LPG	2-44
EXHAUST	
DIESEL TIER II	2-14
GAS AND LPG	2-12
EXHAUST MANIFOLD	
DIESEL TIER II	2-34
GASOLINE AND LPG	
4.3L EPA COMPLIANT	2-50
F	
FAN DRIVE ASSEMBLY	2-8
FENDER EXTENSIONS	13-68
FLOOR PLATES AND COVERS	1-8
FLYWHEEL AND TORQUE CONVERTER	5-10
FORKS	
POLISHED FORK WITH FULL BOTTOM TAPER HOOK TYPE	1-34
STANDARD TAPER HOOK TYPE	
(H100-120XM)	1-33
(H70-90XM)	1-32
FREE-LIFT	
THREE STAGE FULL FREE-LIFT	12-18
FREE-LIFT CYLINDER	
THREE STAGE FULL FREE-LIFT	12-26
TWO STAGE FULL FREE-LIFT	11-14
FRONT HEADLIGHTS	
WITHOUT CAB	13-8
FUEL FILTER	
DIESEL TIER II	3-14
FUEL FILTER AND SENDER	
DIESEL TIER II	3-12
FUEL INJECTION PUMP	
DIESEL TIER II	2-40
FUEL PUMP AND WATER SEPERATOR	
DIESEL TIER II	3-8
FUEL SUPPLY SYSTEM	
DIESEL TIER II	3-6
GASOLINE	3-28
LPG	3-20
FULL SUSPENSION SEAT	
1 OF 2	1-12
2 OF 2	1-14

TABLE OF CONTENTS (Continued)

DESCRIPTION	PAGE
G	
GENERAL TRUCK	1-2
H	
HEADER HOSE	
THREE STAGE FULL FREE-LIFT	12-32
TWO STAGE FULL FREE-LIFT	11-20
TWO STAGE LIMITED FREE-LIFT	10-16
HEATER INSTALLATION	
DIESEL TIER II	13-40
GASOLINE.....	13-36
LPG.....	13-38
HIGH AND LOW VALVE	5-19
HOOD AND COVERS	1-6
HYDRAULIC CONTROL LINES	
FOUR FUNCTION	9-8
THREE FUNCTION	9-6
HYDRAULIC CONTROL VALVE	
THREE AND FOUR FUNCTION	9-14
HYDRAULIC CONTROL VALVE AND ATTACHING PARTS	
FOUR FUNCTION	
WITH DETENTED LEVERS.....	9-12
THREE FUNCTION	
WITH AND WITHOUT DETENTED LEVERS	9-10
HYDRAULIC FILTER HOUSING	9-16
HYDRAULIC PUMP.....	9-18
HYDRAULIC SYSTEM	9-2
I	
INNER MAST	
THREE STAGE FULL FREE-LIFT	12-10
TWO STAGE LIMITED FREE-LIFT.....	10-4
INNER MAST AND FREE LIFT	
TWO STAGE FULL FREE-LIFT	11-6
INPUT CLUTCH	
REVERSE.....	5-12
INSTRUMENT PANEL.....	4-6
INTAKE MANIFOLD AND FUEL RAIL	
GASOLINE	
4.3 L EPA COMPLIANT.....	2-66
INTEGRAL SIDE-SHIFT ASSEMBLY	
H100XM-120XM (54 AND 60 INCH)	
TWO AND THREE STAGE FULL-FREE-LIFT	13-58
H100XM-H120XM (54 AND 60-INCH)	
TWO STAGE LIMITED FREE-LIFT	13-48
H70XM - H90XM (48 AND 60-INCH)	
TWO STAGE LIMITED FREE-LIFT	13-44
H70XM-90XM (48 AND 60 INCH)	
TWO AND THREE STAGE FULL FREE-LIFT.....	13-52
INTEGRAL SIDE-SHIFT CARRIAGE	
H100XM - H120XM (54 AND 60-INCH)	
TWO STAGE LIMITED FREE-LIFT	13-50

TABLE OF CONTENTS (Continued)

DESCRIPTION	PAGE
I (continued)	
H100XM-H120XM (54 AND 60 INCH) TWO AND THREE STAGE FULL FREE-LIFT	13-60
H70XM - H90XM (48 AND 60-INCH) TWO STAGE LIMITED FREE-LIFT	13-46
H70XM-90XM (48 INCH) TWO AND THREE STAGE FULL FREE-LIFT	13-54
H70XM-H90XM (60 INCH) TWO AND THREE STAGE FULL FREE-LIFT	13-56
INTERMEDIATE MAST THREE STAGE FULL FREE-LIFT	12-6
L	
LABELS AND DECALS	1-26
LIFTING EYES	13-67
LOAD BACKREST EXTENSION	1-30
LPG REGULATOR 4.3 L EPA COMPLIANT	3-26
LPG TANK BRACKET FIXED	3-32
SWING OUT	3-34
SWING OUT/DROP DOWN	3-36
M	
MAIN LIFT THREE STAGE FULL FREE-LIFT	12-14
TWO STAGE LIMITED FREE-LIFT	10-6
MAIN LIFT CYLINDERS THREE STAGE FULL FREE-LIFT	12-22
TWO STAGE FULL FREE-LIFT	11-10
TWO STAGE LIMITED FREE-LIFT	10-10
MANIFOLD VALVE	5-18
MAST INSTALLATION	9-20
MASTER CYLINDER AND BOOSTER ASSEMBLY	8-6
MONOTROL PEDAL	3-48
MONOTROL PEDAL AND BRACKET ASSEMBLY	3-46
N	
NON-SUSPENSION SEAT	1-10
O	
OIL COOLER DIESEL TIER II	2-38
OIL FILTER DIESEL TIER II	2-36
OIL PAN AND PUMP DIESEL TIER II	2-28
OIL PUMP GASOLINE AND LPG 4.3L EPA COMPLIANT	2-64

TABLE OF CONTENTS (Continued)

DESCRIPTION	PAGE
O (continued)	
OPERATOR MODULE	1-4
OUTER MAST	
THREE STAGE FULL FREE-LIFT	12-2
TWO STAGE LIMITED FREE-LIFT	10-2
OUTER MAST AND MAIN LIFT	
TWO STAGE FULL FREE-LIFT	11-2
OVERHEAD GUARD.....	1-20
P	
PARK BRAKE.....	8-16
Q	
QUICK DISCONNECT FITTINGS.....	13-66
R	
REAR ACCESS SCREEN.....	1-18
REAR DRIVE LIGHT	
WITHOUT CAB.....	13-10
ROTARY EXHAUSTER	
DIESEL TIER II.....	2-42
S	
SHIFT LEVER	7-6
SOUND REDUCTION	1-22
STARTER	
DIESEL TIER II.....	4-24
STEER AXLE	7-8
STEER COLUMN.....	7-4
STEER CYLINDER	7-12
STEER PUMP	7-14
STEER TIRES AND WHEELS	7-16
STEERING SYSTEM	7-2
STROBE LIGHT	
AMBER	
WITHOUT CAB	13-12
T	
THROTTLE ARM ASSEMBLY.....	3-42
THROTTLE BODY AND LPG MIXER	
4.3 L EPA COMPLIANT	3-24
THROTTLE BODY ASSEMBLY	
4.3 L EPA COMPLIANT	
GASOLINE.....	3-30
THROTTLE LINKAGE	
DIESEL TIER II.....	3-44
GASOLINE AND LPG	
FORWARD AND REVERSE LEVER	3-38
MONOTROL PEDAL.....	3-40
TILT CYLINDERS	9-22

TABLE OF CONTENTS (Continued)

DESCRIPTION	PAGE
T (continued)	
TIMING GEAR	
DIESEL TIER II	2-32
TRANSMISSION	
1 OF 2	5-2
2 OF 2	5-6
TRANSMISSION LINES	5-20
TRANSMISSION MOUNT	5-22
U	
UNDERCARRIAGE PAN	1-24
V	
VALVE COVER AND INLET MANIFOLD	
GASOLINE AND LPG	
4.3L EPA COMPLIANT	2-58
VALVE COVER AND ROCKER ARM SHAFT	
DIESEL TIER II	2-24
W	
WATER PUMP AND OUTLET	
DIESEL TIER II	2-30
WATER SEPARATOR	
DIESEL TIER II	3-10
WIRE HARNESS	
BACK-UP ALARM	13-6
MODULE	
SHEET 1 OF 2	4-28
SHEET 2 OF 2	4-32
SEALED ALTERNATOR	4-36
WIRE HARNESS (ENGINE)	
DIESEL TIER II	4-26

ABBREVIATIONS QUICK REFERENCE SHEET

Listed below are abbreviations used in parts manuals to denote the following expressions:

TERM	DEFINITION	TERM	DEFINITION
Amp	Amperes	FRE	Freezer Environment
AR	As Required	in.	inches
BDI	Battery Discharge Indicators	LPG	Liquefied Petroleum Gas
BWI	Brush Wear Indicator	MAP	Manifold Absolute Pressure
CE	Communicator End	mm	millimeters
CRE	Corrosive Environment	MSTS	Microprocessor Spark Timing System
D/B	Date Break	NPT	National Pipe Threads
dbA	Decibel "A" Scale	O/S	Oversize
DE	Drive End	PTO	Power Take Off
ECH	Empty Container Handler	RPM	Revolutions per Minute
ECH-3	Empty Container Handler - 3 High Stacking	S/N	Serial Number
ECH-4	Empty Container Handler - 4 High Stacking	TMM	Truck Management Module
ECH-5	Empty Container Handler - 5 High Stacking	UL Type D	Diesel-Powered Safety Rating
ECH-6	Empty Container Handler - 6 High Stacking	UL Type DS	Diesel-Powered Safety Rating
ECH-7	Empty Container Handler - 7 High Stacking	UL Type E	Battery-Powered Safety Rating
ECM	Electronic Control Module	UL Type EE	Battery-Powered Safety Rating
ECN	Engineering Change Notice	UL Type ES	Battery-Powered Safety Rating
EEPROM	Electrically Erasable Programmable Read Only Memory	UL Type G	Gasoline-Powered Safety Rating
EPROM	Electrically Programmable Read Only Memory	UL Type GS	Gasoline-Powered Safety Rating
		UL Type LP	Gas-Powered Safety Rating
		UL Type LPS	LP Gas-Powered Safety Rating
		U/S	Undersize
		UL	Underwriters Laboratory
		V	Volts

HOW TO USE THE ILLUSTRATED PARTS MANUAL

This parts manual describes and illustrates assemblies, subassemblies, and detail parts needed for service replacement.

The different constructions are indicated by keys and footnotes. The callouts correspond to descriptions found on the the next page.

HYSTER UNIT CODE D001 NORTH AMERICA 06/2001

TABLE OF CONTENTS

DESCRIPTION	PAGE
AIR INTAKE AND FILTER DIESEL (⇒ D/B 11/96 ⇒)	3-22
AIR INTAKE AND FILTER DIESEL (D/B 11/96 ⇒)	
AIR INTAKE AND FILTER GASOLINE AND LPG	
ALTERNATOR GASOLINE, LPG, AND DIESEL	
ALTERNATOR TYPES GS, LPS, AND DS	
AUXILIARY FUNCTION TUBE TWO AND THREE STAGE FULL F	

SECTION 13 NUMERICAL INDEX

PART NO.	ITEM PAGE NO.	PART NO.	ITEM PAGE NO.	PART NO.	ITEM PAGE NO.	PART NO.	ITEM PAGE NO.
142	3-4 19	10-13	25	11-27	29	12-31	12
12445	3-32 19	10-17	6	11-31	25	3-35	5
	3-34 1	10-27	11	11-32	37	16751	3-16 27
		11	6	8-4	29	16845	3-34 21
		11-11	6	8-4	45		3-36 20
		12-21	11	8-8	34	16863	3-26 17
		4	13	9-7	9	16865	3-6 18
		12	6	9-7	19	16882	9-7 30
		3	17	9-11	9		9-11 27
		23	46	10-9	21		10-10 36
		27	46	10-9	26		10-13 32
		26	14	10-13	16		11-7 24
		28	14	11-7	18		11-9 17
		30	14				

SECTIONS

- 1
- 2
- 3
- 4
- 5
- 6
- 7
- 8
- 9
- 10
- 11

TRANSMISSION HOUSING ⇒ S/N D001H-2628

KEY:
A: Diesel
B: Gasoline and LPG

ITEM	PART NO.	DESCRIPTION	QTY	
			A	B
	2022547	Transmission	1	1
	2023329	Transmission	2	2
	2021670	Case	4	4
1	2023419	Bearing Cap	4	4
2	296426	Washer	1	1
3	293592	Bolt	2	2
4	2021390	Coil	4	4
5	1371655	Collar Pin	1	1
6	2021329	O-Ring	4	4
7	2021915	Plug	1	1
8	2021675	Housing	22	22
9	2021336	Pin	39	39
10	287860	Bolt	1	1
11	292682	Lockwasher	1	1
12		Hydraulic Pump	1	1
13		** Figure 5-3	8	8
14	2021345	Gasket	8	8
15	214364	Bolt	1	1
16	256418	Washer	1	1
17	2021388	Temperature Switch	1	1
18	2021389	Breather	9	9
19	2021383	Dipstick	9	9
20	292515	Bolt	2	2
21	136692	Nut	3	3
22	292527	Bolt	3	2
23	292531	Capscrew	4	4
24	292683	Lockwasher	4	4
25	293837	Bolt	1	1
26	296420	Washer	1	1
	996403	Transmission Kit (Includes Item 7)	1	1
	996405	Transmission Kit (Includes Item 14)	1	1

This Parts Manual is divided into 11 major sections which are listed above. Quick reference can be made by placing the right thumb on the tab of the desired section, bending the pages to the corresponding tab.

© Copy Right Date HYSTER COMPANY See Service Manual for service procedures. 5-15

HOW TO FIND THE DESIRED PART NUMBER

WHEN THE PART NUMBER AND THE NEXT HIGHER ASSEMBLY IS NOT KNOWN:

1. Determine the function and application of the part required. Turn to the Sections Page. Choose the general area of reference most likely to include the part.
2. Turn to the section you chose. Use the Section Table of Contents to determine the assembly which would normally contain the part required. Then locate the part on the assembly breakdown page.

WHEN THE PART NUMBER IS NOT KNOWN AND THE NEXT HIGHER ASSEMBLY IS KNOWN:

3. Determine the assembly the required part is used on. Turn to the Table of Contents on Page i.
4. Locate the assembly the required part is used on and turn to the page indicated for that assembly. Then locate the part on the assembly breakdown page.

WHEN THE PART NUMBER IS KNOWN:

5. Use the Numerical Index on Page 14-1 to find the part number. Turn to the page listed and locate the part as indicated by the item number.

GENERAL:

The assembly breakdowns include part numbers, descriptions, quantities required, keys and footnotes to help in selecting correct parts.

6. Five periods in the PART NO. column (.) indicate that the part is either *Not Serviced Separately* or there is a reference to another figure. A figure reference is denoted by a pointing hand followed by a figure number in the DESCRIPTION column (☞ Figure 10)
7. Keys are used to show two or more similar assemblies, RH and LH assembly parts, etc. Select the appropriate key, "A", "B", "C", "D", or "E" and the corresponding quantity column to find the required parts. Two periods in the QTY column (..) indicate that the part is not used for that assembly.
8. Indented descriptions under the DESCRIPTION column are used to indicate assemblies and subparts of assemblies. In the example on the

previous page, *BEARING CAP* (Item 2) is a subpart of the major assembly *CASE*.

9. Quantities shown are for one assembly. The quantities of the subpart *BEARING CAP* are indicated as two and two. This means two per *CASE* assembly.
10. Serial number breaks identify the most current parts information and are shown as follows:
⇒ **S/N D001H-2628**
Indicates last serial number affected.
S/N D001H-2629 ⇒
Indicates the first serial number affected.
S/N D001H-1553 ⇔ **S/N D001H-3291**
Indicates a range of serial numbers affected.

ECN numbers for pending serial numbers are shown to allow for the inclusion of the most current parts information and are identified as follows:

- ⇒ **S/N Pending Per ECN 63243**
Indicates a pending serial number for last unit affected.
S/N Pending Per ECN 63243 ⇒
Indicates a pending serial number for first unit affected.

Date breaks are used to indicate when a change occurred but a subsequent serial number break was not recorded. This is an arbitrary date usually based on the ECN release and are identified as follows:

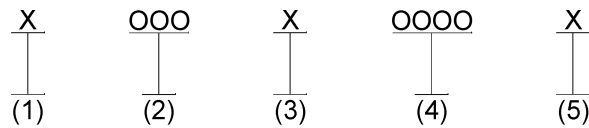
- ⇒ **D/B 3/00**
Indicates that a change occurred sometime within that month for the item affected.
D/B 3/00 ⇒
Indicates that a change occurred sometime within that month for the item affected.
D/B 3/00 ⇔ **D/B 4/00**
Indicates a range of production dates of the item affected.

Contact your local dealer for Hyster lift trucks for serial number information for items with a ECN or a date break.

ORDERING PARTS:

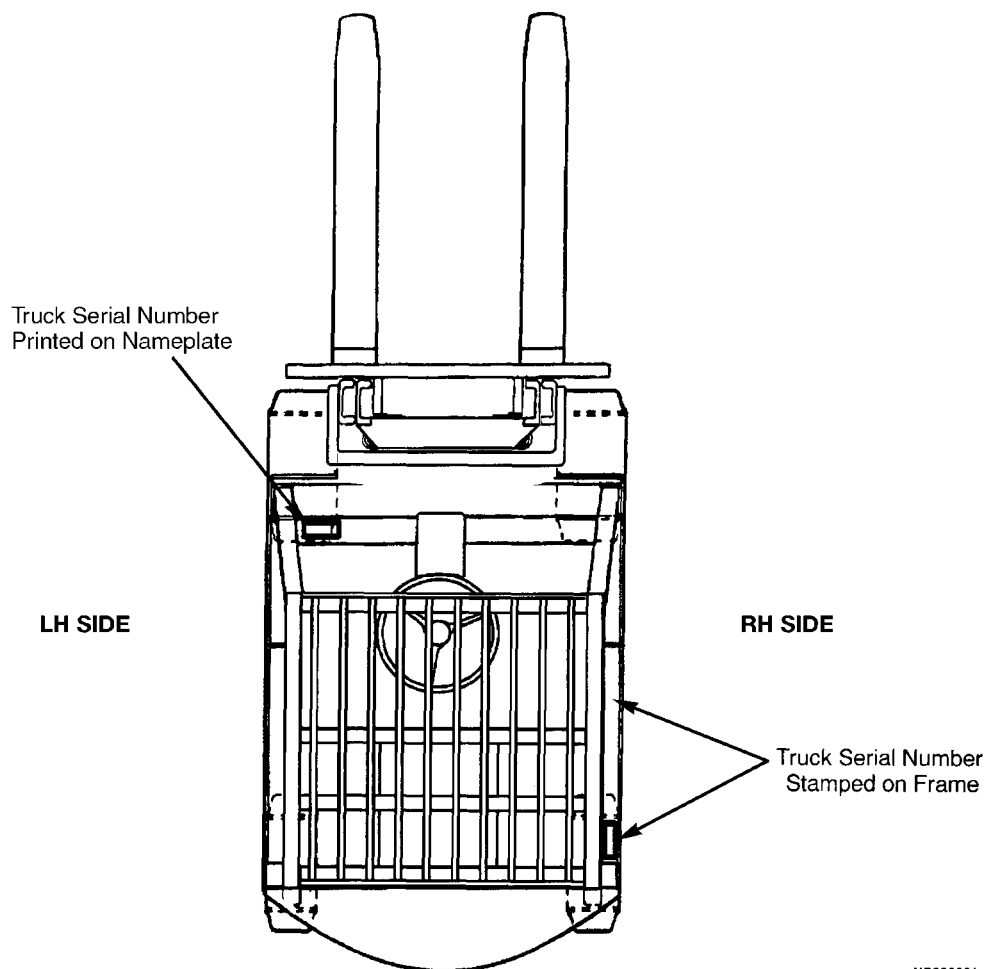
When ordering replacement parts, give the unit serial number, part number, name of part and quantity required.

For any further information on parts, service, or ordering, consult your local dealer for Hyster lift trucks.

IDENTIFICATION OF TRUCK SERIAL NUMBERS

- (1) and (2) The first letter and three numbers indicate the truck unit code.
- (3) The second letter indicates the plant of manufacture.
- (4) The four or five digit number indicates the production sequence number of the truck.
- (5) The final letter indicates the year of manufacture starting with "A" in 1957 and 1980. The letters "I", "O", and "Q" will not be used.

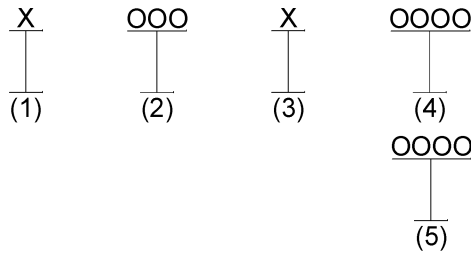
For pending serial numbers contact your local dealer for Hyster lift trucks.



HP990001

Parts referred to in this book as right or left hand parts are in accordance with the illustration above.

IDENTIFICATION OF MAST SERIAL NUMBERS



- (1) and (2) The first letter and number indicates the mast unit code.
- (3) The second letter indicates the plant of manufacture.
- (4) The four or five digit number indicates the production sequence number of the mast.
- (5) Carriage travel in millimeters stamped just below the serial number.

Mast Group identification consists of mast unit code (1) and (2) plus carriage travel (5).

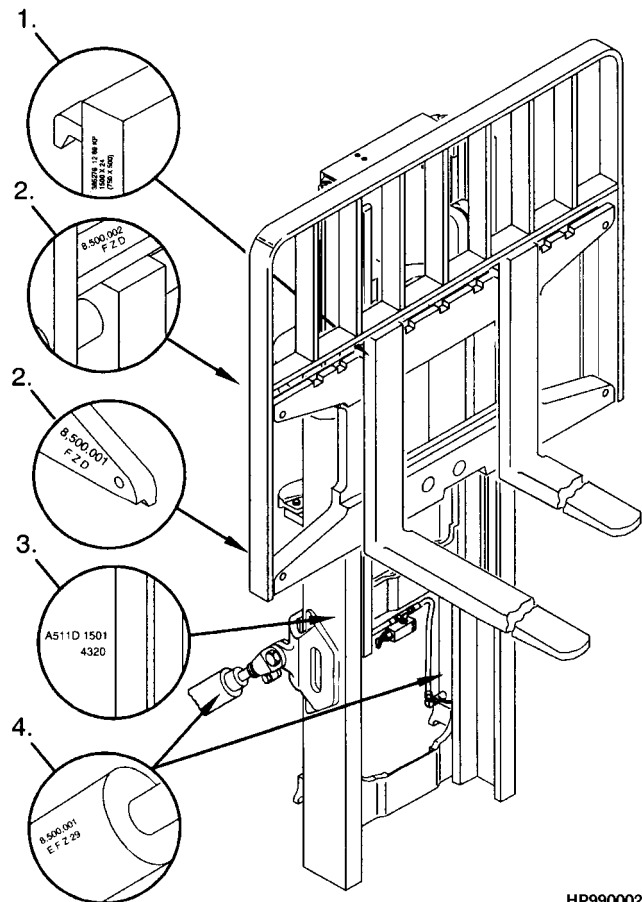
For pending production sequence numbers contact your local dealer for Hyster lift trucks.

LIFT EQUIPMENT IDENTIFICATION

1. Fork part number, capacity rating, plant code letter, and date of manufacture are stamped approximately six inches below the top of most forks.
2. The carriage group number is stamped on the right hand side of the top crossmember (pin type) or on the back of the right hand end of the bottom crossmember (hook type). A date code has two letters in line with or below the carriage group number.
3. The mast identification number has a unit code, a letter indicating the plant of manufacture, and a serial number. Underneath the production sequence number is a four digit number that indicates the carriage travel in millimeters.
4. Tilt and lift cylinder group numbers are stamped on the cylinder shell.

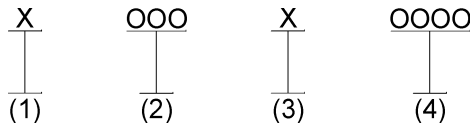
Always refer to the group, serial, or part number when ordering service parts.

Modification of masts and carriages by SPED (Special Products Engineering Department) are identified by a model prefix code beginning with the letter "S". contact your dealer for Hyster lift trucks for information on these assemblies.



HP990002

IDENTIFICATION OF ATTACHMENT AND SIDE-SHIFT CARRIAGE SERIAL NUMBERS

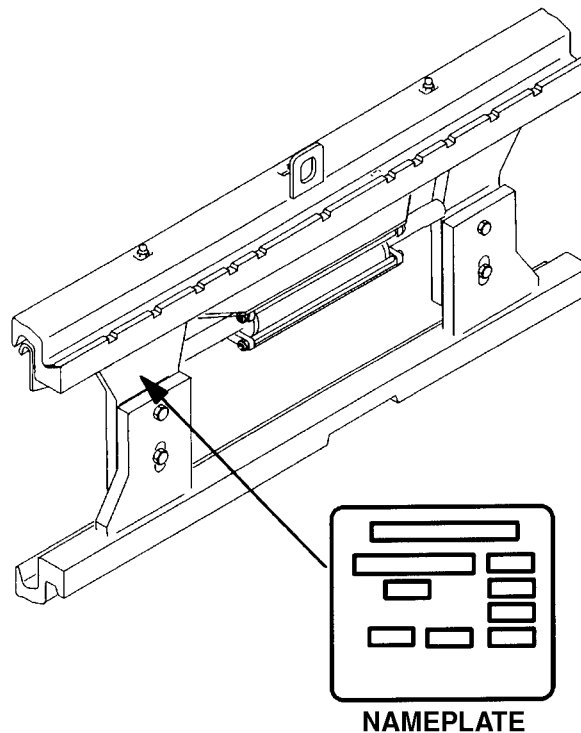


(1) and (2) The first letter and three numbers indicate the attachment unit code.

(3) The second letter indicates the plant of manufacture.

(4) The four or five digit number indicates the production sequence number.

For pending production sequence numbers contact your local dealer for Hyster lift trucks.



HP990003

Side-shift carriages and attachments have nameplates. Use the serial number found on the nameplate to identify the attachment.

Always refer to the group, serial, or part number when ordering service parts.

Modifications of attachments and side-shift carriages by SPED (Special Products Engineering Department) are identified by a model prefix code beginning with the letter "S". Contact your dealer for Hyster lift trucks for information on these assemblies.

PUBLICATIONS

Every new lift truck is provided with an OPERATING MANUAL. This manual has information that the operator must know for inspection and operation of the lift truck.

SERVICE MAINTENANCE MANUALS, which provide service and overhaul procedures, and PARTS MANUALS with complete replacement part identification, are available at a nominal fee from your Hyster dealer to assist users in effectively maintaining Hyster lift trucks in a safe, useful condition. See the list below for information on ordering specific publications for this model lift truck.

PUBLICATION	HYSTER PART NUMBER
Operating Manual	1466306
Service Manual (Complete)	1560150
Parts Manual	1560144

1

FRAME