

PARTS MANUAL

CHALLENGER

**H300-350HD H360HD-EC
(F019)**

CUSTOMER EDITION

HYSTER

SECTIONS

1	FRAME
2	ENGINE ASSEMBLY
3	FUEL SYSTEM
4	ELECTRICAL SYSTEM
5	TRANSMISSION
6	DRIVE AXLE
7	STEERING SYSTEM
8	BRAKE SYSTEM
9	HYDRAULIC SYSTEM
10	MAST-TWO STAGE LIMITED FREE-LIFT
11	EMPTY CONTAINER HANDLER
12	ATTACHMENTS
13	OPTIONS
14	NUMERICAL INDEX

This Parts Manual is divided into 14 major sections which are listed above. Quick reference to these sections can be made by placing the right thumb on the tab of the desired section, bending the book back and thumbing the pages to the corresponding tab.

**Thanks very much for your reading,
Want to get more information,
Please click here, Then get the complete
manual**

JustClickHere 

NOTE:

**If there is no response to click on the link above,
please download the PDF document first, and then
click on it.**

**Have any questions please write to me:
admin@servicemanualperfect.com**

TABLE OF CONTENTS

DESCRIPTION	PAGE
A	
ACCUMULATOR	8-12
PISTON TYPE	9-8
AIR COMPRESSOR	
PERKINS, SHEET 1 OF 2	2-26
PERKINS, SHEET 2 OF 2	2-28
AIR COMPRESSOR AND ATTACHING PARTS	
PERKINS	2-24
AIR CONDITIONING SYSTEM	
CUMMINS.....	1-30
PERKINS	1-28
AIR DRYER AND ATTACHING PARTS	2-22
AIR DUCT AND ACCESSORIES	
CAB.....	1-60
AIR FILTER	
WITH ASPIRATED PRE-CLEANER	3-24
WITHOUT ASPIRATED PRE-CLEANER.....	3-20
ALARM	13-18
ALTERNATOR AND PULLEY	
PERKINS	4-14
ALTERNATOR BRACKET AND ATTACHING PARTS	
PERKINS	4-12
ARMREST	
PIVOT-UP	1-52
AUXILIARY DRIVE GEAR	
PERKINS	2-58
AUXILIARY PUMP DRIVE.....	5-28
AXLE HOUSING AND ATTACHING PARTS.....	6-10
B	
BLANKING PLATE AND PLUGS	
PERKINS	2-62
BLANKING PLUG, OIL FEED AND HOSES	
PERKINS	2-60
BRAKE ASSEMBLY	
DRY BRAKE	8-16
WET BRAKE.....	8-14
BRAKE CHAMBER	8-18
BRAKE SYSTEM	
DRY	8-2
WET	8-6
BRAKE VALVE	
DRY BRAKE	8-22
WET BRAKE.....	8-20
C	
CAB AND ATTACHING PARTS	1-10
CAB AND TILT CYLINDER MOUNTING.....	1-18
CAB HARDWARE AND CONTROL COVER.....	1-54
CAB MOUNTED DRIVE LIGHTS	13-14
CAMSHAFT AND ROCKER ASSEMBLY	

TABLE OF CONTENTS (Continued)

DESCRIPTION	PAGE
C (continued)	
PERKINS	2-40
CARRIAGE	
FOUR, FIVE, AND SIX FUNCTION	10-16
INDIVIDUAL FORK POSITIONER (FOUR FUNCTION)	10-18
SIMULTANEOUS FORK POSITIONER	10-22
THREE FUNCTION	10-14
CHARGE PUMP AND FILTER ASSEMBLY	5-12
CONDENSOR	1-42
CONTAINER ATTACHMENT INSTALLATION	11-6
CONTROL LEVER	9-22
CONTROL VALVE	9-16
CONTROL VALVE ASSEMBLY	5-8
CONTROL VALVE MOUNT	5-10
COOLING	
CUMMINS	2-14
PERKINS	2-10
COUNTERWEIGHT	1-6
CRANKSHAFT AND MAIN BEARINGS	
PERKINS	2-36
CYLINDER BLOCK	
PERKINS	2-30
CYLINDER HEAD	
PERKINS	2-32
CYLINDER HEAD COVER	
PERKINS	2-34
D	
DASH DISPLAY	1-62
DIFFERENTIAL AND CARRIER	
DRY BRAKE	6-6
WET BRAKE	6-2
DIRECTIONAL CONTROL VALVE	12-24
DRIVE GEAR	5-26
DRIVE PLATE	5-38
E	
ELECTRIC PUMP	1-26
ELECTRICAL SYSTEM	
CUMMINS	4-6
PERKINS	4-2
SERIES 553	
250 MM (10 IN.) SIDE-SHIFT	11-42
SERIES 555	11-44
SERIES 558	
250 MM (10 IN.) SIDE-SHIFT	11-46
ELECTRONIC CONTROL MODULE AND MOUNTING	
PERKINS	2-80
END BEAM ASSEMBLY	
SERIES 553	

TABLE OF CONTENTS (Continued)

DESCRIPTION	PAGE
E (continued)	
250 MM (10 IN.) SIDE-SHIFT	11-14
SERIES 555.....	11-16
SERIES 558	
250 MM (10 IN.) SIDE-SHIFT	11-18
ENGINE ASSEMBLY	2-4
ENGINE BLOCK HEATER	2-20
ENGINE LIFTING EYES	
PERKINS	2-78
ENGINE MOUNT	
CUMMINS.....	2-18
PERKINS	2-17
EXHAUST	
CUMMINS.....	2-8
PERKINS	2-6
EXTENSION CYLINDER AND ATTACHING PARTS	
SERIES 553, 558	
250 MM (10 IN.) SIDE-SHIFT	11-22
SERIES 555.....	11-26
F	
FAN DRIVE AND PULLEY	
PERKINS	2-56
FLOOR PLATES AND COVERS	1-8
FLYWHEEL AND STARTER RING	
PERKINS	2-88
FLYWHEEL HOUSING	
PERKINS	2-86
FORK.....	10-26
FORK POSITIONER CYLINDER	10-24
FORWARD CLUTCH.....	5-24
FRONT BACK-UP TAIL LIGHTS AND SIDE LIGHTS	13-8
FRONT DRIVE PULLEY	
PERKINS	2-54
FUEL FILTER ASSEMBLY	
PERKINS	3-16
FUEL INJECTION PUMP AND GEAR	
PERKINS	3-6
FUEL INJECTION SUPPLY AND RETURN LINES	
PERKINS	3-10
FUEL SYSTEM	
CUMMINS.....	3-4
PERKINS	3-2
G	
GEAR CLUTCH INSTALLATION	5-30
GENERAL TRUCK	1-2

TABLE OF CONTENTS (Continued)

DESCRIPTION	PAGE
H	
HAND PUMP	
CAB TILT.....	1-24
HEADER HOSE	
EMPTY CONATAINER HANDLER.....	11-2
TWO STAGE LIMITED FREE-LIFT.....	10-28
HEATER AND AIR CONDITIONER ASSEMBLY.....	1-40
HEATER AND AIR CONDITIONER ATTACHMENT.....	1-36
HEATER ASSEMBLY.....	1-38
HEATER HOSE ARRANGEMENT	
CUMMINS.....	1-34
PERKINS.....	1-32
HIGH PRESSURE FUEL PIPES	
PERKINS.....	3-8
HOOD.....	1-4
HUB AND SHAFT ASSEMBLY	
DRY BRAKE.....	6-14
WET BRAKE.....	6-12
HYDRAULIC CONTROL AND TWISTLOCK	
EMPTY CONTAINER HANDLER.....	1-56
HYDRAULIC PUMP.....	9-14
HYDRAULIC SUPPLY AND RETURN.....	9-2
HYDRAULIC SYSTEM	
SERIES 553	
250 MM (10 IN.) SIDE-SHIFT.....	11-36
SERIES 555.....	11-38
SERIES 558	
250 MM (10 IN.) SIDE-SHIFT.....	11-40
HYDRAULIC TANK AND ATTACHING PARTS.....	9-4
HYDRAULIC VALVE AND ATTACHING PARTS.....	9-10
I	
IDLER GEAR	
PERKINS.....	2-52
IDLER SHAFT	
REVERSE.....	5-22
INCHING PEDAL AND ACCESSORIES	
CAB.....	1-58
INNER MAST.....	10-4
J	
JOYSTICK CONTROL.....	9-20
L	
LABELS.....	1-64
LIFT.....	10-6
LIFT ACCUMULATOR AND ATTACHING PARTS.....	9-6
LIFT CYLINDER	
EMPTY CONATAINER HANDLER.....	10-12
NON-EC.....	10-10
LIFT PUMP AND FUEL FILTER LINES	

TABLE OF CONTENTS (Continued)

DESCRIPTION	PAGE
L (continued)	
PERKINS	3-12
LIFT PUMP ASSEMBLY	
PERKINS	3-14
LIFTING EYES	13-16
LOW CLUTCH.....	5-18
M	
MAIN FRAME	
SERIES 553, 555, 558	
250 MM (10 IN.) SIDE-SHIFT	11-10
SERIES 555	
600 MM (23.6 IN.) SIDE-SHIFT	11-12
MANIFOLDS	
PERKINS	2-50
MAST AND REAR WORK LIGHTS.....	13-6
MAST INSTALLATION.....	9-30
MONOTROL PEDAL	3-30
O	
OIL COOLER.....	8-10
OIL COOLER AND CONNECTIONS	
PERKINS	2-68
OIL FILTER AND ATTACHING PARTS	
PERKINS	2-66
OIL PUMP AND DELIVERY HOUSING	
PERKINS	2-64
OIL SUMP	
PERKINS	2-48
OUTER MAST	10-2
OUTPUT FLANGE	5-40
OUTPUT SHAFT	5-14
P	
PARK BRAKE	
WET BRAKE.....	6-16
PICK-UP SENSORS	
PERKINS	2-84
PILOT VALVE	9-18
PISTON AND CONNECTING ROD	
PERKINS	2-38
R	
REVERSE AND SECOND CLUTCH.....	5-20
S	
SEAT ASSEMBLY	
AIR.....	1-44
MECHANICAL	1-46
SIDE-SHIFT CARRIAGE	

TABLE OF CONTENTS (Continued)

DESCRIPTION	PAGE
S (continued)	
DUAL FUNCTION WITH FORK POSITIONER	12-16
FOUR, FIVE, AND SIX FUNCTION.....	12-4
INDIVIDUAL FORK POSITIONER	
FIVE FUNCTION.....	12-8
SIMULTANEOUS FORK POSITIONER	
FOUR FUNCTION.....	12-12
THREE FUNCTION	12-2
SIDE-SHIFT CYLINDER	12-20
DUAL FUNCTION WITH FORK POSITIONER	12-22
SERIES 553, 555	
250 MM (10 IN.) SIDE-SHIFT	11-28
SERIES 555	
600 MM (23.6 IN.) SIDE-SHIFT	11-29
SERIES 558	
250 MM (10 IN.) SIDE-SHIFT	11-30
STARTER MOTOR	
PERKINS	4-10
STEEL DOOR	
LEFT HAND.....	1-16
RIGHT HAND.....	1-14
STEERING AXLE	7-8
STEERING COLUMN AND ATTACHING PARTS.....	7-4
STEERING COLUMN ASSEMBLY	7-6
STEERING CYLINDER.....	7-12
STEERING SYSTEM	7-2
STROBE LIGHT	13-12
T	
THERMOSTAT AND WATER OUTLET HOUSING	
PERKINS	2-70
THIRD CLUTCH.....	5-16
THROTTLE PEDAL LINKAGE	
FORWARD AND REVERSE LEVER.....	3-28
MONOTROL PEDAL.....	3-26
TILT CYLINDER	9-28
CAB.....	1-22
TILT CYLINDER AND ATTACHING PARTS	9-26
TIMING CASE	
PERKINS	2-42
TIMING COVER	
PERKINS	2-44
TIMING GEAR	
PERKINS	2-46
TIRE AND WHEEL	
11.00 X 20	
14 PLY	13-2
12.00 X 20	
16 PLY	13-3
SOLID.....	13-4

TABLE OF CONTENTS (Continued)

DESCRIPTION	PAGE
T (continued)	
TORQUE CONVERTOR ASSEMBLY	
CUMMINS.....	5-34
PERKINS.....	5-32
TORQUE CONVERTOR HOUSING AND ATTACHING PARTS.....	5-4
TRAINING SEAT.....	1-48
TRANSMISSION CASE.....	5-6
TRANSMISSION MOUNT AND ATTACHING PARTS.....	5-2
TURBINE SHAFT AND STATOR SUPPORT.....	5-36
TURBO DRAIN PIPE AND BLANKING PLATE	
PERKINS.....	2-76
TURBOCHARGER AND ATTACHING PARTS	
PERKINS.....	2-74
TWIST LOCK CYLINDER	
SERIES 558	
250 MM (10 IN.) SIDE-SHIFT.....	11-31
V	
VALVE ASSEMBLY	
SERIES 553, 555, 558	
END BEAM.....	11-34
SIDE-SHIFT.....	11-32
W	
WATER PUMP	
PERKINS.....	2-72
WATER SEPERATOR	
PERKINS.....	3-18
WEAR PADS	
SERIES 553, 555, 558.....	11-8
WINDOW WASHER AND ARMREST ASSEMBLY.....	1-50
WIRE HARNESS	
ARMREST	
WITH CLOSED CAB.....	4-22
WITH OPEN CAB.....	4-24
CAB TILT.....	4-26
CLOSED CAB.....	4-16
OPEN CAB.....	4-18
REAR WIPER.....	4-20
STEERING COLUMN.....	4-28
TWO STAGE LIMITED FREE-LIFT.....	4-30
WIRING LOOMS	
PERKINS.....	2-82

ABBREVIATIONS QUICK REFERENCE SHEET

Listed below are abbreviations used in parts manuals to denote the following expressions:

TERM	DEFINITION	TERM	DEFINITION
Amp	Amperes	FRE	Freezer Environment
AR	As Required	in.	inches
BDI	Battery Discharge Indicators	LPG	Liquefied Petroleum Gas
BWI	Brush Wear Indicator	MAP	Manifold Absolute Pressure
CE	Communicator End	mm	millimeters
CRE	Corrosive Environment	MSTS	Microprocessor Spark Timing System
D/B	Date Break	NPT	National Pipe Threads
dbA	Decibel "A" Scale	O/S	Oversize
DE	Drive End	PTO	Power Take Off
ECH	Empty Container Handler	RPM	Revolutions per Minute
ECH-3	Empty Container Handler - 3 High Stacking	S/N	Serial Number
ECH-4	Empty Container Handler - 4 High Stacking	TMM	Truck Management Module
ECH-5	Empty Container Handler - 5 High Stacking	UL Type D	Diesel-Powered Safety Rating
ECH-6	Empty Container Handler - 6 High Stacking	UL Type DS	Diesel-Powered Safety Rating
ECH-7	Empty Container Handler - 7 High Stacking	UL Type E	Battery-Powered Safety Rating
ECM	Electronic Control Module	UL Type EE	Battery-Powered Safety Rating
ECN	Engineering Change Notice	UL Type ES	Battery-Powered Safety Rating
EEPROM	Electrically Erasable Programmable Read Only Memory	UL Type G	Gasoline-Powered Safety Rating
EPROM	Electrically Programmable Read Only Memory	UL Type GS	Gasoline-Powered Safety Rating
		UL Type LP	Gas-Powered Safety Rating
		UL Type LPS	LP Gas-Powered Safety Rating
		U/S	Undersize
		UL	Underwriters Laboratory
		V	Volts

HOW TO USE THE ILLUSTRATED PARTS MANUAL

This parts manual describes and illustrates assemblies, subassemblies, and detail parts needed for service replacement.

The different constructions are indicated by keys and footnotes. The callouts correspond to descriptions found on the the next page.

HYSTER UNIT CODE D001 NORTH AMERICA 06/2001

TABLE OF CONTENTS

DESCRIPTION	PAGE
AIR INTAKE AND FILTER DIESEL (⇒ D/B 11/96 ⇒)	3-22
AIR INTAKE AND FILTER DIESEL (D/B 11/96 ⇒)	
AIR INTAKE AND FILTER GASOLINE AND LPG	
ALTERNATOR GASOLINE, LPG, AND DIESEL	
ALTERNATOR TYPES GS, LPS, AND DS	
AUXILIARY FUNCTION TUBE TWO AND THREE STAGE FULL F	

SECTION 13 NUMERICAL INDEX

PART NO.	ITEM PAGE NO.	PART NO.	ITEM PAGE NO.	PART NO.	ITEM PAGE NO.	PART NO.	ITEM PAGE NO.
142	3-4 19	10-13	25	11-27	29	12-31	12
12445	3-32 19	10-17	6	11-31	25	3-35	5
	3-34 1	10-27	11	11-32	37	16751	3-16 27
		11	6	8-4	29	16845	3-34 21
		11-11	6	8-4	45		3-36 20
		12-21	11	8-8	34	16853	3-26 17
		4	13	9-7	9	16885	3-6 18
		12	6	9-7	19	16882	9-7 30
		3	17	9-11	9		9-11 27
		23	46	10-9	21		10-10 36
		27	46	10-9	26		10-13 32
		26	14	10-13	16		11-7 24
		28	14	11-7	18		11-9 17
		30	14				

SECTIONS

- FRAME
- ELECTRICAL SYSTEM
-
-
- BRAKE/ACC
-
- MAST-TWO STAGE
- MAST-THREE STAGE
- MAST-TWO STAGE
-
-

TRANSMISSION HOUSING ⇒ S/N D001H-2628

KEY:
A: Diesel
B: Gasoline and LPG

ITEM	PART NO.	DESCRIPTION	QTY	
			A	B
	2022547	Transmission	1	1
	2023329	Transmission	1	1
	2021670	Case	2	2
1	2023419	Bearing Cap	4	4
2	296426	Washer	4	4
3	293592	Bolt	1	1
4	2021390	Coil	2	2
5	1371655	Coller Pin	4	4
6	2021329	O-Ring	1	1
7	2021915	Plug	4	4
8	2021675	Housing	22	22
9	2021336	Bolt	39	39
10	287860	Bolt	1	1
11	292682	Lockwasher	1	1
12		Hydraulic Pump	1	1
13		** Figure 5-3	8	8
14	2021345	Gasket	8	8
15	214364	Bolt	1	1
16	256418	Washer	1	1
17	2021388	Temperature Switch	1	1
18	2021389	Breather	9	9
19	2021383	Dipstick	9	9
20	292515	Bolt	2	2
21	136692	Nut	3	3
22	292527	Bolt	3	2
23	292531	Capscrew	4	4
24	292683	Lockwasher	4	4
25	293837	Bolt	1	1
26	296420	Washer	1	1
	996403	Transmission Kit (Includes Item 7)	1	1
	996405	Transmission Kit (Includes Item 14)	1	1

This Parts Manual is divided into 11 major sections which are listed above. Quick reference can be made by placing the right thumb on the tab of the desired section, bending the pages to the corresponding tab.

© Copy Right Date HYSTER COMPANY See Service Manual for service procedures. 5-15

HOW TO FIND THE DESIRED PART NUMBER

WHEN THE PART NUMBER AND THE NEXT HIGHER ASSEMBLY IS NOT KNOWN:

1. Determine the function and application of the part required. Turn to the Sections Page. Choose the general area of reference most likely to include the part.
2. Turn to the section you chose. Use the Section Table of Contents to determine the assembly which would normally contain the part required. Then locate the part on the assembly breakdown page.

WHEN THE PART NUMBER IS NOT KNOWN AND THE NEXT HIGHER ASSEMBLY IS KNOWN:

3. Determine the assembly the required part is used on. Turn to the Table of Contents on Page i.
4. Locate the assembly the required part is used on and turn to the page indicated for that assembly. Then locate the part on the assembly breakdown page.

WHEN THE PART NUMBER IS KNOWN:

5. Use the Numerical Index on Page 14-1 to find the part number. Turn to the page listed and locate the part as indicated by the item number.

GENERAL:

The assembly breakdowns include part numbers, descriptions, quantities required, keys and footnotes to help in selecting correct parts.

6. Five periods in the PART NO. column (.) indicate that the part is either *Not Serviced Separately* or there is a reference to another figure. A figure reference is denoted by a pointing hand followed by a figure number in the DESCRIPTION column (☞ Figure 10)
7. Keys are used to show two or more similar assemblies, RH and LH assembly parts, etc. Select the appropriate key, "A", "B", "C", "D", or "E" and the corresponding quantity column to find the required parts. Two periods in the QTY column (..) indicate that the part is not used for that assembly.
8. Indented descriptions under the DESCRIPTION column are used to indicate assemblies and subparts of assemblies. In the example on the

previous page, *BEARING CAP* (Item 2) is a subpart of the major assembly *CASE*.

9. Quantities shown are for one assembly. The quantities of the subpart *BEARING CAP* are indicated as two and two. This means two per *CASE* assembly.
10. Serial number breaks identify the most current parts information and are shown as follows:
 - ⇒ **S/N D001H-2628**
Indicates last serial number affected.
 - S/N D001H-2629** ⇒
Indicates the first serial number affected.
 - S/N D001H-1553** ⇔ **S/N D001H-3291**
Indicates a range of serial numbers affected.

ECN numbers for pending serial numbers are shown to allow for the inclusion of the most current parts information and are identified as follows:

- ⇒ **S/N Pending Per ECN 63243**
Indicates a pending serial number for last unit affected.
- S/N Pending Per ECN 63243** ⇒
Indicates a pending serial number for first unit affected.

Date breaks are used to indicate when a change occurred but a subsequent serial number break was not recorded. This is an arbitrary date usually based on the ECN release and are identified as follows:

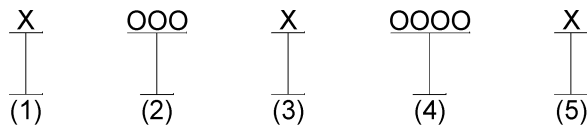
- ⇒ **D/B 3/00**
Indicates that a change occurred sometime within that month for the item affected.
- D/B 3/00** ⇒
Indicates that a change occurred sometime within that month for the item affected.
- D/B 3/00** ⇔ **D/B 4/00**
Indicates a range of production dates of the item affected.

Contact your local dealer for Hyster lift trucks for serial number information for items with a ECN or a date break.

ORDERING PARTS:

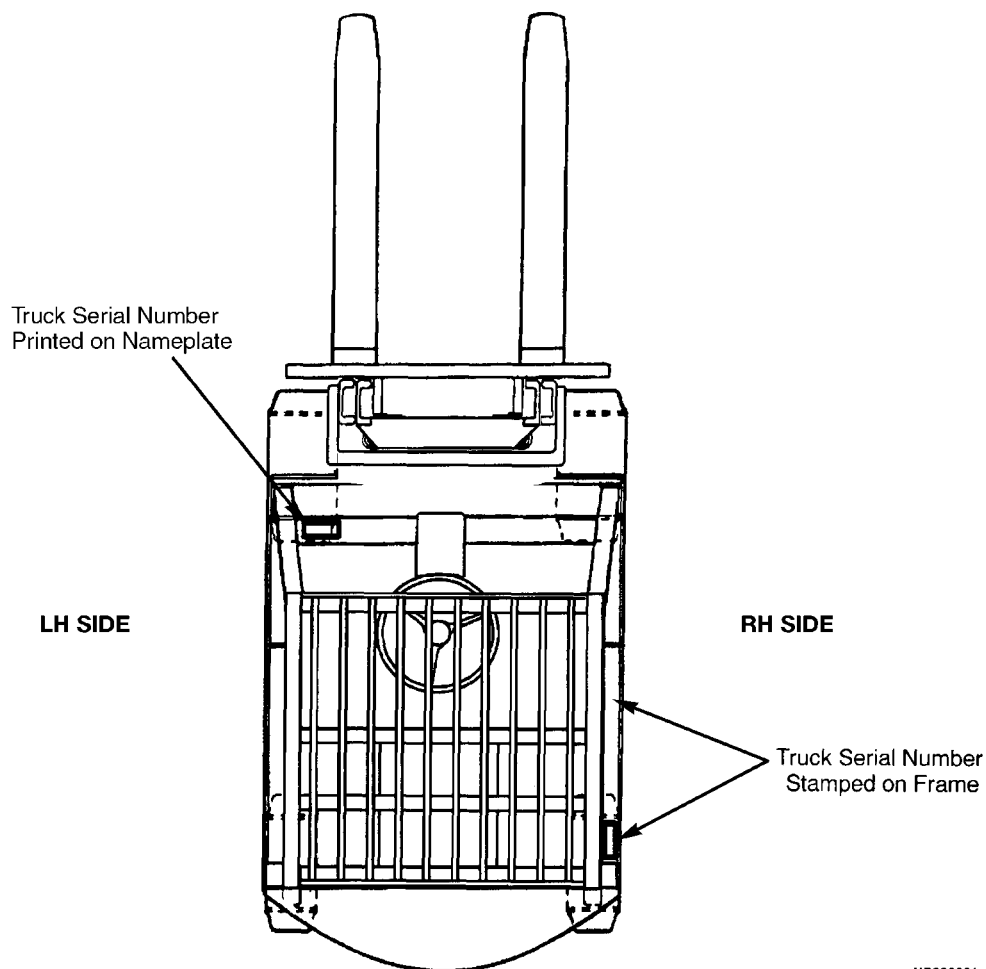
When ordering replacement parts, give the unit serial number, part number, name of part and quantity required.

For any further information on parts, service, or ordering, consult your local dealer for Hyster lift trucks.

IDENTIFICATION OF TRUCK SERIAL NUMBERS

- (1) and (2) The first letter and three numbers indicate the truck unit code.
- (3) The second letter indicates the plant of manufacture.
- (4) The four or five digit number indicates the production sequence number of the truck.
- (5) The final letter indicates the year of manufacture starting with "A" in 1957 and 1980. The letters "I", "O", and "Q" will not be used.

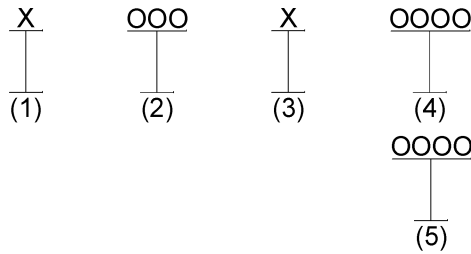
For pending serial numbers contact your local dealer for Hyster lift trucks.



HP990001

Parts referred to in this book as right or left hand parts are in accordance with the illustration above.

IDENTIFICATION OF MAST SERIAL NUMBERS



- (1) and (2) The first letter and number indicates the mast unit code.
- (3) The second letter indicates the plant of manufacture.
- (4) The four or five digit number indicates the production sequence number of the mast.
- (5) Carriage travel in millimeters stamped just below the serial number.

Mast Group identification consists of mast unit code (1) and (2) plus carriage travel (5).

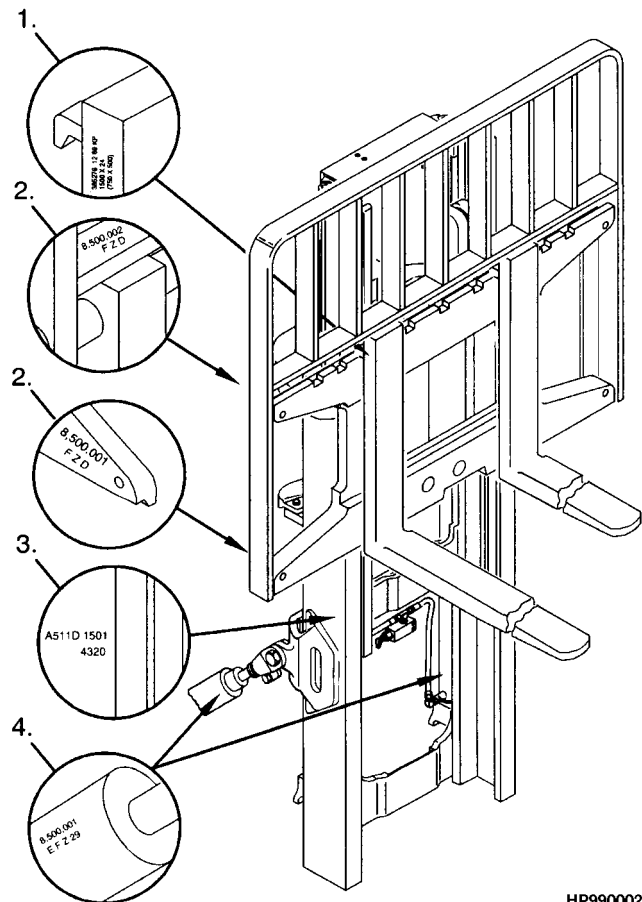
For pending production sequence numbers contact your local dealer for Hyster lift trucks.

LIFT EQUIPMENT IDENTIFICATION

1. Fork part number, capacity rating, plant code letter, and date of manufacture are stamped approximately six inches below the top of most forks.
2. The carriage group number is stamped on the right hand side of the top crossmember (pin type) or on the back of the right hand end of the bottom crossmember (hook type). A date code has two letters in line with or below the carriage group number.
3. The mast identification number has a unit code, a letter indicating the plant of manufacture, and a serial number. Underneath the production sequence number is a four digit number that indicates the carriage travel in millimeters.
4. Tilt and lift cylinder group numbers are stamped on the cylinder shell.

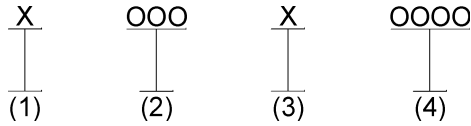
Always refer to the group, serial, or part number when ordering service parts.

Modification of masts and carriages by SPED (Special Products Engineering Department) are identified by a model prefix code beginning with the letter "S". contact your dealer for Hyster lift trucks for information on these assemblies.



HP990002

IDENTIFICATION OF ATTACHMENT AND SIDE-SHIFT CARRIAGE SERIAL NUMBERS

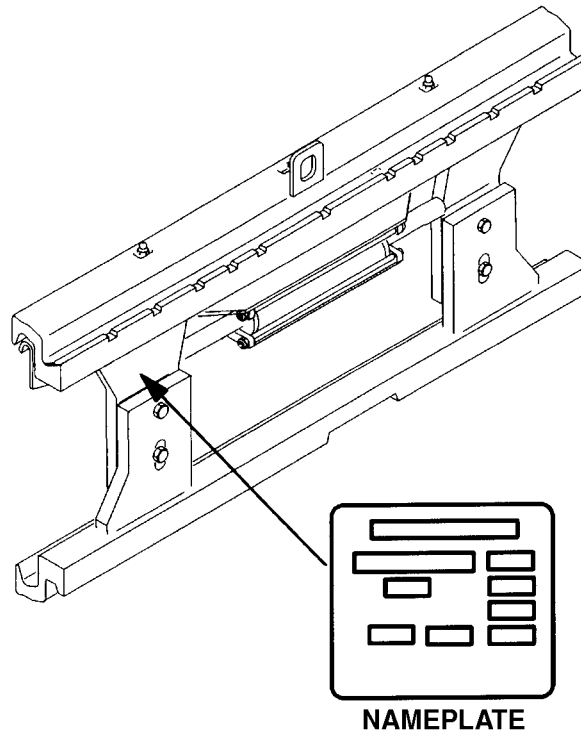


(1) and (2) The first letter and three numbers indicate the attachment unit code.

(3) The second letter indicates the plant of manufacture.

(4) The four or five digit number indicates the production sequence number.

For pending production sequence numbers contact your local dealer for Hyster lift trucks.



HP990003

Side-shift carriages and attachments have nameplates. Use the serial number found on the nameplate to identify the attachment.

Always refer to the group, serial, or part number when ordering service parts.

Modifications of attachments and side-shift carriages by SPED (Special Products Engineering Department) are identified by a model prefix code beginning with the letter "S". Contact your dealer for Hyster lift trucks for information on these assemblies.

PUBLICATIONS

Every new lift truck is provided with an OPERATING MANUAL. This manual has information that the operator must know for inspection and operation of the lift truck.

SERVICE MAINTENANCE MANUALS, which provide service and overhaul procedures, and PARTS MANUALS with complete replacement part identification, are available at a nominal fee from your Hyster dealer to assist users in effectively maintaining Hyster lift trucks in a safe, useful condition. See the list below for information on ordering specific publications for this model lift truck.

PUBLICATION	HYSTER PART NUMBER
Operating Manual	1556854
Service Manual (Complete)	1556870
Parts Manual	1556868

1

FRAME