

PARTS MANUAL

CHALLENGER

**H25XM, H30XM, H35XM,
H40XM, H40XMS
(D001)**

CUSTOMER EDITION

HYSTER

SECTIONS

1	FRAME
2	ENGINE ASSEMBLY
3	FUEL SYSTEM
4	ELECTRICAL SYSTEM
5	TRANSMISSION
6	STEERING SYSTEM
7	BRAKE SYSTEM
8	HYDRAULIC SYSTEM
9	MAST-TWO STAGE LIMITED FREE-LIFT
10	MAST-THREE STAGE FULL FREE-LIFT
11	MAST-TWO STAGE FULL FREE-LIFT
12	OPTIONS
13	NUMERICAL INDEX

This Parts Manual is divided into 13 major sections which are listed above. Quick reference to these sections can be made by placing the right thumb on the tab of the desired section, bending the book back and thumbing the pages to the corresponding tab.

TABLE OF CONTENTS

DESCRIPTION	PAGE
A	
AIR INTAKE AND FILTER	
DIESEL	
D/B 11/1996⇒.....	3-20
⇒D/B 11/1996.....	3-18
GASOLINE AND LPG.....	3-16
ALTERNATOR	
GASOLINE, LPG, AND DIESEL	
STANDARD.....	4-44
TYPE GS, LPS, AND DS.....	4-46
AUXILIARY FUNCTION TUBE	
TWO AND THREE STAGE FULL FREE-LIFT.....	12-30
TWO STAGE FULL FREE-LIFT.....	12-28
B	
BACKUP ALARM.....	12-26
BATTERY.....	4-14
BRAKE ASSEMBLY	
D/B 06/1997⇒.....	7-14
⇒D/B 06/1997.....	7-10
BRAKE LINES.....	7-8
BRAKE LINKAGE	
⇒S/N D001H-2628.....	7-2
S/N D001H-2629⇒.....	7-4
C	
CAMSHAFT AND VALVES	
DIESEL.....	2-32
GASOLINE AND LPG.....	2-10
CARBURETOR	
GASOLINE.....	3-10
LPG.....	3-12
CARRIAGE	
THREE STAGE FULL FREE-LIFT.....	10-26
TWO STAGE FULL FREE-LIFT.....	11-20
TWO STAGE LIMITED FREE-LIFT.....	9-14
CONTROL VALVE	
FOUR FUNCTION	
DUAL RELIEF	
⇒S/N D001H-3395.....	8-54
S/N D001H-3396⇒.....	8-58
SINGLE RELIEF	
⇒S/N D001H-3395.....	8-46
S/N D001H-3396⇒.....	8-50
⇒S/N D001H-2628.....	5-28
S/N D001H-2629⇔S/N D001H-3016.....	5-30
S/N D001H-3017⇔S/N PENDING PER ECN 77425.....	5-32
S/N PENDING PER ECN 77425⇒.....	5-34
THREE FUNCTION	
DUAL RELIEF	
⇒S/N D001H-3395.....	8-34

**Thanks very much for your reading,
Want to get more information,
Please click here, Then get the complete
manual**

JustClickHere 

NOTE:

**If there is no response to click on the link above,
please download the PDF document first, and then
click on it.**

**Have any questions please write to me:
admin@servicemanualperfect.com**

TABLE OF CONTENTS (Continued)

DESCRIPTION	PAGE
C (continued)	
S/N D001H-3396⇒	8-38
SINGLE RELIEF	
⇒S/N D001H-3395	8-26
S/N D001H-3396⇒	8-30
CONTROL VALVE ATTACHING PARTS	
FOUR FUNCTION	
⇒S/N D001H-3395	8-42
S/N D001H-3396⇒	8-44
THREE FUNCTION	
⇒S/N D001H-3395	8-18
S/N D001H-3396⇒	8-22
CONVERTER	
LPG	
IDENTIFY BY VENDOR MODEL CODE "J"	3-30
IDENTIFY BY VENDOR MODEL CODE "K"	
⇒S/N D001H-4636	3-32
S/N D001H-4637⇒	3-34
COOLING	
DIESEL	2-40
GASOLINE AND LPG	2-18
COUNTERWEIGHT	1-20
CRANKSHAFT AND PISTON	
DIESEL	2-30
GASOLINE AND LPG	2-8
CYLINDER BLOCK	
DIESEL	2-26
GASOLINE AND LPG	2-4
CYLINDER HEAD	
DIESEL	2-24
CYLINDER HEAD AND COVER	
GASOLINE AND LPG	2-2
D	
DIFFERENTIAL	5-44
DISTRIBUTOR	
GASOLINE AND LPG	4-36
DRIVE AXLE	5-46
DRIVE LIGHTS AND REAR LIGHTS	12-18
DRIVE TIRE AND WHEEL	
DISC WHEEL	12-10
SPLIT WHEELS	12-12
E	
ELECTRICAL	
COWL	4-20
ELECTRICAL SYSTEM	
DIESEL	4-8
DIESEL ENGINE	2-36
ENGINE	

TABLE OF CONTENTS (Continued)

DESCRIPTION	PAGE
E (continued)	
GASOLINE AND LPG	2-14
GASOLINE AND LPG.....	4-2
TYPE DS.....	4-10
TYPE GS AND LPS.....	4-6
END PLATE	5-54
ENGINE COVER	1-8
ENGINE MOUNT	
DIESEL	2-44
GASOLINE AND LPG	
⇒S/N D001H-3001	2-22
S/N D001H-3002⇒	2-23
EXHAUST	
OVERHEAD	
DIESEL.....	2-56
GASOLINE AND LPG	2-54
STANDARD	
DIESEL.....	2-48
GASOLINE AND LPG	2-46
TYPE DS.....	2-52
TYPE GS AND LPS.....	2-50
F	
FENDER	
⇒S/N D001H-3018	12-6
FILTER AND LOCK-OFF VALVE	
LPG.....	3-28
FIRE EXTINGUISHER	12-22
FLYWHEEL AND TORQUE CONVERTER	
⇒S/N D001H-2628	5-36
S/N D001H-2629⇔S/N PENDING PER ECN 76829-10	5-38
S/N PENDING PER ECN 76829-10⇒.....	5-40
FORK	
THREE STAGE FULL FREE-LIFT	10-40
TWO STAGE FULL FREE-LIFT	11-34
TWO STAGE LIMITED FREE-LIFT.....	9-26
FRAME AND FLOOR PLATES.....	1-2
FREE-LIFT	
THREE STAGE FULL FREE-LIFT	10-16
TWO STAGE FULL FREE-LIFT	11-10
FREE-LIFT CYLINDER	
THREE STAGE FULL FREE-LIFT	10-24
TWO STAGE FULL FREE-LIFT	11-18
FUEL FILTER	
DIESEL	3-40
FUEL SUPPLY SYSTEM	
LPG.....	3-26
FUEL SYSTEM	
DIESEL	3-36
GASOLINE AND LPG.....	3-24

TABLE OF CONTENTS (Continued)

DESCRIPTION	PAGE
F (continued)	
FUEL TANK AND LINES	
DIESEL	3-46
GASOLINE.....	3-44
FULL SUSPENSION SEAT	
SHEET 1 OF 2	1-14
SHEET 2 OF 2	1-16
G	
GEAR PUMP	
⇒S/N D001H-2628	5-42
S/N D001H-2629⇒	5-43
GOVERNOR	
GASOLINE AND LPG.....	3-14
H	
HEADER HOSE	
FOUR FUNCTION	
THREE STAGE FULL FREE-LIFT	10-36
TWO STAGE FULL FREE-LIFT	11-30
TWO STAGE LIMITED FREE-LIFT	9-22
THREE FUNCTION	
THREE STAGE FULL FREE-LIFT	10-32
TWO STAGE FULL FREE-LIFT	11-26
TWO STAGE LIMITED FREE-LIFT	9-20
HYDRAULIC CLUTCH	
⇒S/N D001H-2628	5-16
S/N D001H-2629⇔S/N PENDING PER ECN 86576	5-18
S/N PENDING PER ECN 76829-10⇒.....	5-24
S/N PENDING PER ECN 86576⇔S/N PENDING PER ECN 87177	5-20
S/N PENDING PER ECN 87177⇔S/N PENDING PER ECN 76829-10	5-22
HYDRAULIC PUMP	
DIESEL	
⇒S/N D001H-3304	8-12
GASOLINE AND LPG	
⇒S/N D001H-3304	8-10
S/N D001H-3305⇒	8-14
HYDRAULICS	
⇒S/N D001H-2081	8-2
S/N D001H-2082⇒	8-6
I	
INJECTION PUMP	
DIESEL	3-42
INNER MAST	
THREE STAGE FULL FREE-LIFT	10-6
TWO STAGE FULL FREE-LIFT	11-4
TWO STAGE LIMITED FREE-LIFT.....	9-4
INSTRUMENT CLUSTER	4-16
INTAKE AND EXHAUST MANIFOLD	

TABLE OF CONTENTS (Continued)

DESCRIPTION	PAGE
I (continued)	
DIESEL	2-34
INTERMEDIATE MAST	
THREE STAGE FULL FREE-LIFT	10-4
L	
LABELS	1-19
LIFT	
TWO STAGE LIMITED FREE-LIFT	
⇒S/N A550L-1566	9-6
S/N A550L-1567⇒	9-8
LIFT CYLINDER	
LEFT HAND	
TWO STAGE LIMITED FREE-LIFT	9-10
RIGHT HAND	
TWO STAGE LIMITED FREE-LIFT	9-12
LIFTING EYE.....	12-8
LOAD BACKREST EXTENSION	
THREE STAGE FULL FREE-LIFT	10-28
TWO STAGE FULL FREE-LIFT	11-22
TWO STAGE LIMITED FREE-LIFT.....	9-16
M	
MAIN LIFT	
THREE STAGE FULL FREE-LIFT	
⇒S/N A554L-18550	10-8
S/N A554L-1856⇒	10-12
TWO STAGE FULL FREE-LIFT	
⇒S/N A558L-1559	11-6
S/N A558L-1560⇒	11-8
MAIN LIFT CYLINDER	
LEFT HAND	
THREE STAGE FULL FREE-LIFT	10-20
TWO STAGE FULL FREE-LIFT	11-14
RIGHT HAND	
THREE STAGE FULL FREE-LIFT	10-22
TWO STAGE FULL FREE-LIFT	11-16
MANIFOLD	
INTAKE AND EXHAUST	
GASOLINE AND LPG	2-12
MAST INSTALLATION	
THREE STAGE FULL FREE-LIFT	10-30
TWO STAGE FULL FREE-LIFT	11-24
TWO STAGE LIMITED FREE-LIFT.....	9-18
MASTER CYLINDER	7-20
MIRROR.....	12-24
MONOTROL PEDAL	3-4

TABLE OF CONTENTS (Continued)

DESCRIPTION	PAGE
N	
NOISE REDUCTION	
ENGINE COVER	1-24
FRAME	1-22
NON-SUSPENSION SEAT	1-12
NOZZLE HOLDER	
DIESEL	3-38
O	
OIL PAN AND TIMING GEAR COVER	
DIESEL	2-28
GASOLINE AND LPG	2-6
OIL PUMP AND FILTER	
DIESEL	2-38
GASOLINE AND LPG	2-16
OUTER MAST	
THREE STAGE FULL FREE-LIFT	10-2
TWO STAGE FULL FREE-LIFT	11-2
TWO STAGE LIMITED FREE-LIFT	9-2
OVERHEAD GUARD	1-6
P	
PARK BRAKE LEVER	7-18
PUMP DRIVE	
DIESEL	8-17
GASOLINE AND LPG	8-16
R	
RADIATOR AND HOSES	
DIESEL	2-42
GASOLINE AND LPG	2-20
S	
SHIFT LEVER	4-18
SIDE-SHIFT CARRIAGE	12-2
SIDE-SHIFT CYLINDER	12-4
SOLENOID VALVE	5-26
STARTER	
DIESEL	4-42
GASOLINE AND LPG	
S/N PENDING PER ECN 76195⇒	4-40
⇒S/N PENDING PER ECN 76195	4-38
STEER TIRE AND WHEEL	
DISC WHEEL	12-14
SPLIT WHEELS	12-16
STEERING AXLE	6-6
STEERING COLUMN	6-2
STEERING CONTROL VALVE	6-4
STEERING CYLINDER	
S/N PENDING PER ECN 87046-01⇒	6-10
⇒S/N PENDING PER ECN 87046-01	6-8

TABLE OF CONTENTS (Continued)

DESCRIPTION	PAGE
S (continued)	
STROBE LIGHT	12-20
SUSPENSION SEAT	1-10
T	
TAIL LIGHTS	
EARLY PRODUCTION.....	4-12
LATE PRODUCTION	4-13
TANK MOUNTING	
LPG.....	3-22
THROTTLE.....	3-2
THROTTLE LINKAGE	
DIESEL	3-8
GASOLINE.....	3-6
LPG.....	3-7
TILT CYLINDER	8-62
TRANSMISSION GEARS	
S/N D001H-2629⇒	5-12
S/N D001H-2629⇔S/N PENDING PER ECN 76829-10	5-10
S/N PENDING PER ECN 76829-10⇒.....	5-14
TRANSMISSION HOUSING	
⇒S/N D001H-2628	5-2
S/N D001H-2629⇔S/N PENDING PER ECN 76829-10	5-4
S/N PENDING PER ECN 76829-10⇒.....	5-6
TRANSMISSION HYDRAULIC LINES	
⇒S/N D001H-2628	5-48
S/N D001H-2629⇔S/N D001H-3016	5-50
S/N D001H-3017⇒.....	5-52
W	
WIRE HARNESS	
CLUSTER PANEL.....	4-25
CLUSTER POWER.....	4-26
COWL	
⇒S/N D001H-2209	4-23
S/N D001H-2210⇒	4-24
ENGINE	
DIESEL.....	4-32
GASOLINE AND LPG	4-30
TYPE DS.....	4-33
TYPE GS AND LPS	4-31
FORWARD/REVERSE	4-27
MONOTROL PEDAL.....	4-28
SEAT SWITCH.....	4-29
TAIL LIGHT	4-34

ABBREVIATIONS QUICK REFERENCE SHEET

Listed below are abbreviations used in parts manuals to denote the following expressions:

TERM	DEFINITION	TERM	DEFINITION
Amp	Amperes	FRE	Freezer Environment
AR	As Required	in.	inches
BDI	Battery Discharge Indicators	LPG	Liquefied Petroleum Gas
BWI	Brush Wear Indicator	MAP	Manifold Absolute Pressure
CE	Communicator End	mm	millimeters
CRE	Corrosive Environment	MSTS	Microprocessor Spark Timing System
D/B	Date Break	NPT	National Pipe Threads
dbA	Decibel "A" Scale	O/S	Oversize
DE	Drive End	PTO	Power Take Off
ECH	Empty Container Handler	RPM	Revolutions per Minute
ECH-3	Empty Container Handler - 3 High Stacking	S/N	Serial Number
ECH-4	Empty Container Handler - 4 High Stacking	TMM	Truck Management Module
ECH-5	Empty Container Handler - 5 High Stacking	UL Type D	Diesel-Powered Safety Rating
ECH-6	Empty Container Handler - 6 High Stacking	UL Type DS	Diesel-Powered Safety Rating
ECH-7	Empty Container Handler - 7 High Stacking	UL Type E	Battery-Powered Safety Rating
ECM	Electronic Control Module	UL Type EE	Battery-Powered Safety Rating
ECN	Engineering Change Notice	UL Type ES	Battery-Powered Safety Rating
EEPROM	Electrically Erasable Programmable Read Only Memory	UL Type G	Gasoline-Powered Safety Rating
EPROM	Electrically Programmable Read Only Memory	UL Type GS	Gasoline-Powered Safety Rating
		UL Type LP	Gas-Powered Safety Rating
		UL Type LPS	LP Gas-Powered Safety Rating
		U/S	Undersize
		UL	Underwriters Laboratory
		V	Volts

HOW TO USE THE ILLUSTRATED PARTS MANUAL

This parts manual describes and illustrates assemblies, subassemblies, and detail parts needed for service replacement.

The different constructions are indicated by keys and footnotes. The callouts correspond to descriptions found on the the next page.

HYSTER UNIT CODE D001 NORTH AMERICA 06/2001

TABLE OF CONTENTS

DESCRIPTION	PAGE
AIR INTAKE AND FILTER DIESEL (⇒ D/B 11/96).....	3-22
AIR INTAKE AND FILTER DIESEL (D/B 11/96 ⇒).....	
AIR INTAKE AND FILTER GASOLINE AND LPG.....	
ALTERNATOR GASOLINE, LPG, AND DIESEL -	
ALTERNATOR TYPES GS, LPS, AND DS.....	
AUXILIARY FUNCTION TUBE TWO AND THREE STAGE FULL F	

SECTION 13 NUMERICAL INDEX

PART NO.	ITEM PAGE NO.	PART NO.	ITEM PAGE NO.	PART NO.	ITEM PAGE NO.	PART NO.	ITEM PAGE NO.
142	3-4 19	10-13	25	11-27	29	12-31	12
12445	3-32 19	10-17	6	11-31	25	16719	3-36 5
	3-34 1	10-27	11	11-32	37	16751	3-16 27
		11	6	8-4	28	16849	3-34 21
		11-11	6	8-4	45		3-36 20
		12-1	11	9-7	9	16863	3-26 17
		4	13	9-7	9	16865	3-6 18
		12	6	9-7	19	16882	9-7 30
		3	17	9-11	9		9-11 27
		23	46	10-9	21		10-10 36
		27	46	10-9	28		10-13 32
		26	14	10-13	16		11-7 24
		28	14	11-7	19		11-9 17
		30	14				

SECTIONS

- 1
- 2
- 3
- 4
- 5
- 6
- 7
- 8
- 9
- 10
- 11

TRANSMISSION HOUSING ⇒ S/N D001H-2628

KEY:
A: Diesel
B: Gasoline and LPG

ITEM	PART NO.	DESCRIPTION	QTY
		Transmission.....	1
	2022547	Transmission.....	1
	2023329	Case.....	2
	2021670	Bearing Cap.....	4
1	2023418	Washer.....	4
2	296426	Bolt.....	1
3	293582	Cover.....	2
4	2021390	Colter Pin.....	2
5	1371656	O-Ring.....	4
6	2021329	Plug.....	4
7	2021915	Housing.....	4
8	2021675	Pin.....	22
9	2021336	Bolt.....	39
10	287860	Lockwasher.....	1
11	292682	Hydraulic Pump.....	1
12		Figure 5-3	1
13		Gasket.....	8
14	2021345	Bolt.....	8
15	214364	Washer.....	1
16	296418	Temperature Switch.....	1
17	2021388	Breather.....	1
18	2021389	Dipstick.....	9
19	2021383	Bolt.....	9
20	292515	Nut.....	2
21	136692	Bolt.....	3
22	292527	Capscrew.....	3
23	292531	Lockwasher.....	4
24	292683	Bolt.....	4
25	293637	Washer.....	1
26	296420	Washer.....	1
	996403	Transmission Kit (Includes Item 7).....	1
	996405	Transmission Kit (Includes Item 14).....	1

This Parts Manual is divided into 11 major sections which are listed above. Quick be made by placing the right thumb on the tab of the desired section, bending the pages to the corresponding tab.

©2002 Hyster Company
See Service Manual for service procedures.
5-15

HOW TO FIND THE DESIRED PART NUMBER

WHEN THE PART NUMBER AND THE NEXT HIGHER ASSEMBLY IS NOT KNOWN:

1. Determine the function and application of the part required. Turn to the Sections Page. Choose the general area of reference most likely to include the part.
2. Turn to the section you chose. Use the Section Table of Contents to determine the assembly which would normally contain the part required. Then locate the part on the assembly breakdown page.

WHEN THE PART NUMBER IS NOT KNOWN AND THE NEXT HIGHER ASSEMBLY IS KNOWN:

3. Determine the assembly the required part is used on. Turn to the Table of Contents on Page i.
4. Locate the assembly the required part is used on and turn to the page indicated for that assembly. Then locate the part on the assembly breakdown page.

WHEN THE PART NUMBER IS KNOWN:

5. Use the Numerical Index on Page 13-1 to find the part number. Turn to the page listed and locate the part as indicated by the item number.

GENERAL:

The assembly breakdowns include part numbers, descriptions, quantities required, keys and footnotes to help in selecting correct parts.

6. Five periods in the PART NO. column (.) indicate that the part is either *Not Serviced Separately* or there is a reference to another figure. A figure reference is denoted by a pointing hand followed by a figure number in the DESCRIPTION column (☞ Figure 10)
7. Keys are used to show two or more similar assemblies, RH and LH assembly parts, etc. Select the appropriate key, "A", "B", "C", "D", or "E" and the corresponding quantity column to find the required parts. Two periods in the QTY column (..) indicate that the part is not used for that assembly.
8. Indented descriptions under the DESCRIPTION column are used to indicate assemblies and subparts of assemblies. In the example on the

previous page, *BEARING CAP* (Item 2) is a subpart of the major assembly *CASE*.

9. Quantities shown are for one assembly. The quantities of the subpart *BEARING CAP* are indicated as two and two. This means two per *CASE* assembly.
10. Serial number breaks identify the most current parts information and are shown as follows:
 - ⇒ **S/N D001H-2628**
Indicates last serial number affected.
 - S/N D001H-2629** ⇒
Indicates the first serial number affected.
 - S/N D001H-1553** ⇔ **S/N D001H-3291**
Indicates a range of serial numbers affected.

ECN numbers for pending serial numbers are shown to allow for the inclusion of the most current parts information and are identified as follows:

- ⇒ **S/N Pending Per ECN 63243**
Indicates a pending serial number for last unit affected.
- S/N Pending Per ECN 63243** ⇒
Indicates a pending serial number for first unit affected.

Date breaks are used to indicate when a change occurred but a subsequent serial number break was not recorded. This is an arbitrary date usually based on the ECN release and are identified as follows:

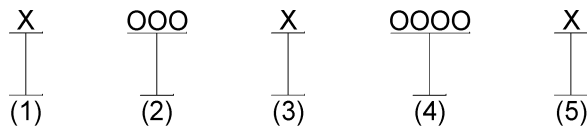
- ⇒ **D/B 3/00**
Indicates that a change occurred sometime within that month for the item affected.
- D/B 3/00** ⇒
Indicates that a change occurred sometime within that month for the item affected.
- D/B 3/00** ⇔ **D/B 4/00**
Indicates a range of production dates of the item affected.

Contact your local dealer for Hyster lift trucks for serial number information for items with a ECN or a date break.

ORDERING PARTS:

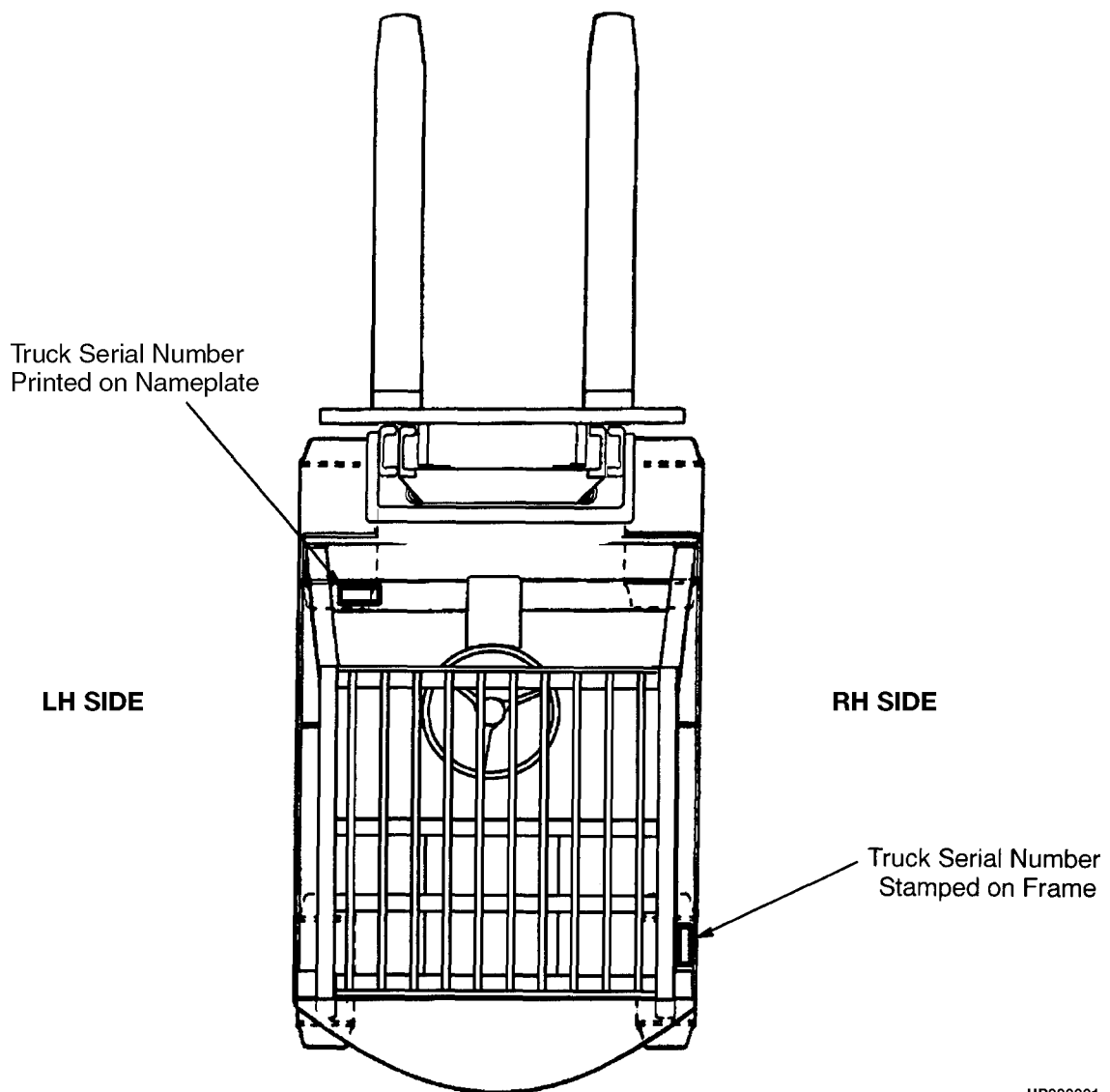
When ordering replacement parts, give the unit serial number, part number, name of part and quantity required.

For any further information on parts, service, or ordering, consult your local dealer for Hyster lift trucks.

IDENTIFICATION OF TRUCK SERIAL NUMBERS

- (1) and (2) The first letter and three numbers indicate the truck unit code.
- (3) The second letter indicates the plant of manufacture.
- (4) The four or five digit number indicates the production sequence number of the truck.
- (5) The final letter indicates the year of manufacture starting with "A" in 1957 and 1980. The letters "I", "O", and "Q" will not be used.

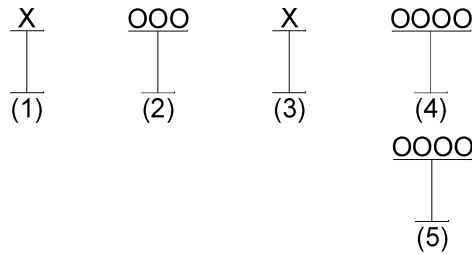
For pending serial numbers contact your local dealer for Hyster lift trucks.



HP990001

Parts referred to in this book as right or left hand parts are in accordance with the illustration above.

IDENTIFICATION OF MAST SERIAL NUMBERS



- (1) and (2) The first letter and number indicates the mast unit code.
- (3) The second letter indicates the plant of manufacture.
- (4) The four or five digit number indicates the production sequence number of the mast.
- (5) Carriage travel in millimeters stamped just below the serial number.

Mast Group identification consists of mast unit code (1) and (2) plus carriage travel (5).

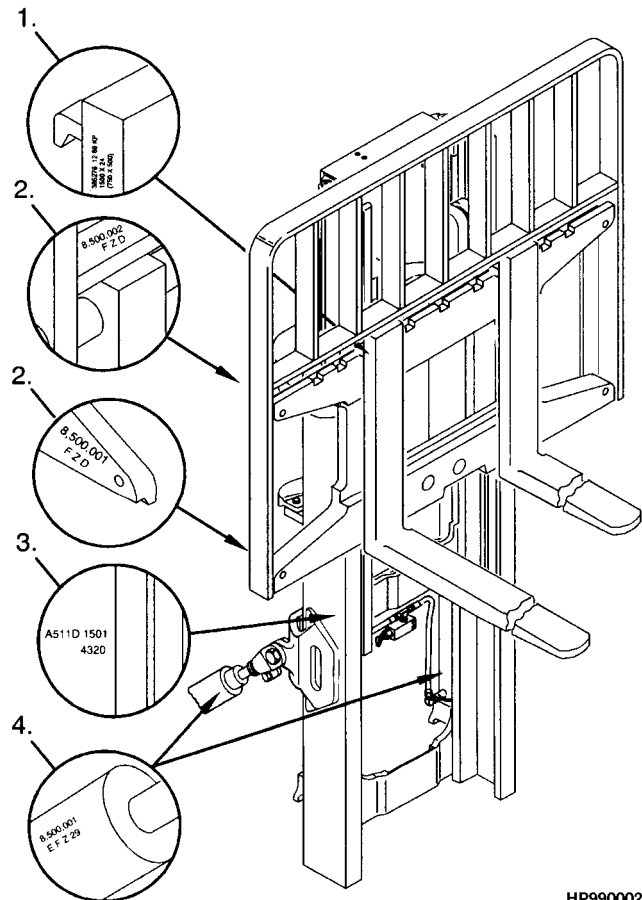
For pending production sequence numbers contact your local dealer for Hyster lift trucks.

LIFT EQUIPMENT IDENTIFICATION

1. Fork part number, capacity rating, plant code letter, and date of manufacture are stamped approximately six inches below the top of most forks.
2. The carriage group number is stamped on the right hand side of the top crossmember (pin type) or on the back of the right hand end of the bottom crossmember (hook type). A date code has two letters in line with or below the carriage group number.
3. The mast identification number has a unit code, a letter indicating the plant of manufacture, and a serial number. Underneath the production sequence number is a four digit number that indicates the carriage travel in millimeters.
4. Tilt and lift cylinder group numbers are stamped on the cylinder shell.

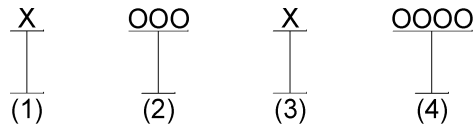
Always refer to the group, serial, or part number when ordering service parts.

Modification of masts and carriages by SPED (Special Products Engineering Department) are identified by a model prefix code beginning with the letter "S". contact your dealer for Hyster lift trucks for information on these assemblies.



HP990002

IDENTIFICATION OF ATTACHMENT AND SIDE-SHIFT CARRIAGE SERIAL NUMBERS

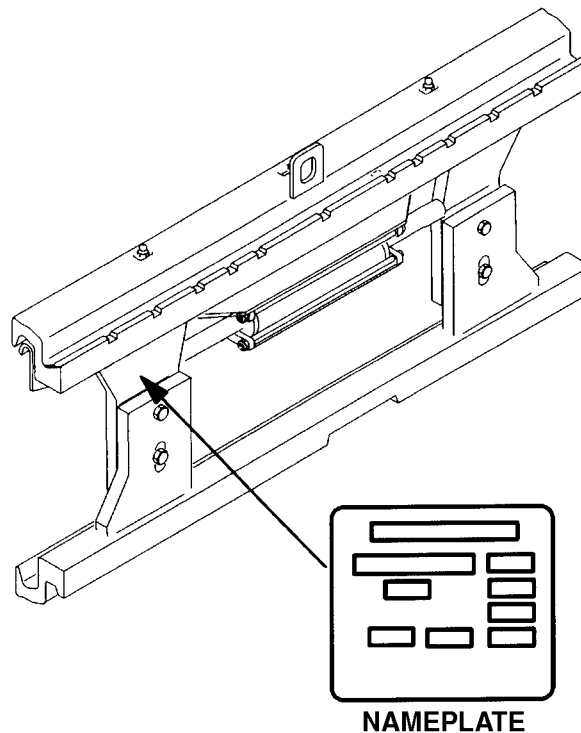


(1) and (2) The first letter and three numbers indicate the attachment unit code.

(3) The second letter indicates the plant of manufacture.

(4) The four or five digit number indicates the production sequence number.

For pending production sequence numbers contact your local dealer for Hyster lift trucks.



HP990003

Side-shift carriages and attachments have nameplates. Use the serial number found on the nameplate to identify the attachment.

Always refer to the group, serial, or part number when ordering service parts.

Modifications of attachments and side-shift carriages by SPED (Special Products Engineering Department) are identified by a model prefix code beginning with the letter "S". Contact your dealer for Hyster lift trucks for information on these assemblies.

PUBLICATIONS

Every new lift truck is provided with an OPERATING MANUAL. This manual has information that the operator must know for inspection and operation of the lift truck.

SERVICE MAINTENANCE MANUALS, which provide service and overhaul procedures, and PARTS MANUALS with complete replacement part identification, are available at a nominal fee from your Hyster dealer to assist users in effectively maintaining Hyster lift trucks in a safe, useful condition. See the list below for information on ordering specific publications for this model lift truck.

PUBLICATION	HYSTER PART NUMBER
Operating Manual	897535
Service Manual (Complete)	897595
Parts Manual	897536