

PARTS MANUAL

SPACESAVER

**S100XM, S100XMBCS,
S120XM, S120XMS, S70XM,
S80XM, S80XMBCS
(S3.50XM, S4.00XM, S4.50XM,
S5.50XM)
(E004)**

CUSTOMER EDITION

HYSTER

SECTIONS

1	FRAME
2	ENGINE(S)
3	FUEL SYSTEM
4	ELECTRICAL SYSTEM
5	TRANSMISSION
6	STEERING SYSTEM
7	BRAKE SYSTEM
8	HYDRAULIC SYSTEM
9	MAST-TWO STAGE LIMITED FREE-LIFT
10	MAST-TWO STAGE FULL FREE-LIFT
11	MAST-THREE STAGE FULL FREE-LIFT
12	OPTIONS
13	NUMERICAL INDEX

This Parts Manual is divided into 13 major sections which are listed above. Quick reference to these sections can be made by placing the right thumb on the tab of the desired section, bending the book back and thumbing the pages to the corresponding tab.

TABLE OF CONTENTS

DESCRIPTION	PAGE
A	
ACCELERATOR PEDAL	
MONOTROL	3-46
WITH FORWARD AND REVERSE LEVER	3-50
ACCUMULATOR	12-44
AIR FILTER.....	2-30
ALTERNATOR	
LPS	4-36
ALTERNATOR MOUNTING	
DIESEL	4-42
B	
BACK-UP ALARM	12-45
BRAKE ASSEMBLY	
LONG WHEEL BASE	7-8
SHORT WHEEL BASE	7-6
BRAKE LINES.....	7-10
BRAKE LINKAGE	
DUAL PEDALS	7-4
SINGLE PEDAL.....	7-2
C	
CAMSHAFT AND OIL PAN	
GAS AND LPG.....	2-20
CARBURETOR	
LPG.....	3-10
CARRIAGE	
THREE STAGE FULL FREE-LIFT	11-28
TWO STAGE FULL FREE-LIFT	10-18
TWO STAGE LIMITED FREE-LIFT.....	9-18
CLUTCH PACK.....	5-10
CONTROL VALVE AND ATTACHING PARTS	
FIVE FUNCTION	8-16
FOUR FUNCTION	8-14
THREE FUNCTION	8-12
COOLING	
DIESEL	2-2
GAS AND LPG.....	2-6
COUNTERWEIGHT	1-8
CRANKSHAFT AND PISTON	
DIESEL	2-38
CYLINDER BLOCK	
DIESEL	2-34
GAS AND LPG.....	2-16
CYLINDER HEAD	
DIESEL	2-36
GAS AND LPG.....	2-24

**Thanks very much for your reading,
Want to get more information,
Please click here, Then get the complete
manual**

JustClickHere 

NOTE:

**If there is no response to click on the link above,
please download the PDF document first, and then
click on it.**

**Have any questions please write to me:
admin@servicemanualperfect.com**

TABLE OF CONTENTS (Continued)

DESCRIPTION	PAGE
D	
DIFFERENTIAL.....	5-12
DISTRIBUTOR	
GAS AND LPG.....	4-16
DRIVE AXLE	5-14
DRIVE TIRE AND WHEEL.....	12-33
E	
ELECTRICAL CONTROL	
GAS	4-22
LPG.....	4-26
ELECTRICAL SYSTEM	
CHASSIS	4-10
DASH PANEL.....	4-2
DIESEL	4-38
ENGINE	
GAS AND LPG	4-14
GAS AND LPG.....	4-18
LPS	
AND EEC	4-32
ENGINE	
COMMON PARTS	
GAS AND LPG	2-14
ENGINE MOUNTS	2-12
EXHAUST	
DIESEL	2-32
OVERHEAD.....	2-10
EXHAUST GROUP	
GAS AND LPG.....	2-8
F	
FILTER AND LOCK-OFF VALVE	
LPG.....	3-8
FLOORPLATES AND COVERS	1-4
FLYWHEEL HOUSING.....	2-28
FORK	
POLISHED FORK WITH FULL BOTTOM TAPER HOOK TYPE	
TWO STAGE FULL FREE-LIFT	10-24
POLISHED WITH FULL BOTTOM TAPER HOOK TYPE	
THREE STAGE FULL FREE-LIFT	11-34
STANDARD TAPER HOOK TYPE (H100-120XM)	
TWO STAGE FULL FREE-LIFT	10-23
STANDARD TAPER HOOK TYPE (S100-120XM)	
THREE STAGE FULL FREE-LIFT	11-33
STANDARD TAPER HOOK TYPE (S70-80XM)	
THREE STAGE FULL FREE-LIFT	11-32
TWO STAGE FULL FREE-LIFT	10-22
TWO STAGE LIMITED FREE-LIFT	
POLISHED WITH FULL BOTTOM TAPER (HOOK TYPE)	9-24
STANDARD TAPER HOOK TYPE (S100-120XM)	9-23
STANDARD TAPER HOOK TYPE (S70-80XM)	9-22
FORKS	

TABLE OF CONTENTS (Continued)

DESCRIPTION	PAGE
F (continued)	
CLASS III	
EUROPE ONLY	11, 30-29
CLASS IV	
EUROPE ONLY	11, 30-29
FREE-LIFT	
THREE STAGE FULL FREE-LIFT	11-12
FREE-LIFT CYLINDER	
THREE STAGE FULL FREE-LIFT	11-20
TWO STAGE FULL FREE-LIFT	10-12
FRONT HEAD LIGHTS	12-36
FUEL SYSTEM	
DIESEL	3-34
GASOLINE.....	3-30
LPG.....	3-2
FULL SUSPENSION SEAT	
EUROPEAN OPTION	
SHEET 1 OF 2	1-20
SHEET 2 OF 2	1-22
SHEET 1 OF 2.....	1-16
SHEET 2 OF 2.....	1-18
G	
GENERAL TRUCK	1-2
GOVERNOR	
LPG.....	3-12
H	
HEADER HOSE	
THREE STAGE FULL FREE-LIFT	11-24
TWO STAGE FULL FREE-LIFT	10-14
TWO STAGE LIMITED FREE-LIFT.....	9-14
HIGH PRESSURE FUEL INJECTION	
DIESEL	3-40
HOOD.....	1-6
HYDRAULIC CONTROL LINES.....	8-6
HYDRAULIC CONTROL VALVE	8-18
HYDRAULIC PUMP.....	8-4
HYDRAULIC SUPPLY AND RETURN.....	8-2
I	
INNER MAST	
THREE STAGE FULL FREE-LIFT	11-6
TWO STAGE LIMITED FREE-LIFT.....	9-4
INNER MAST AND FREE-LIFT	
TWO STAGE FULL FREE-LIFT	10-6
INSTRUMENT CLUSTER	4-4
INTEGRAL SIDE-SHIFT	
THREE STAGE FULL FREE-LIFT	
S70-80XM	12-22

TABLE OF CONTENTS (Continued)

DESCRIPTION	PAGE
I (continued)	
TWO STAGE FULL FREE-LIFT	
S70-80XM	12-12
TWO STAGE LIMITED FREE-LIFT	
S100-120XM	12-4
S70-80XM	12-2
INTEGRAL SIDE-SHIFT CARRIAGE	
1067 MM (42 IN.) CLASS III	
THREE STAGE FULL FREE-LIFT	12-26
TWO STAGE FULL FREE-LIFT	12-16
TWO STAGE LIMITED FREE-LIFT	12-6
1219 MM (48 IN) CLASS III	
THREE STAGE FULL FREE-LIFT	12-30
1219 MM (48 IN) CLASSIV	
TWO STAGE LIMITED FREE-LIFT	12-10
1219 MM (48 IN.) CLASS III	
THREE STAGE FULL FREE-LIFT	12-28
TWO STAGE LIMITED FREE-LIFT	12-8
1219 MM (48 IN.) CLASSIV	
TWO STAGE FULL FREE-LIFT	12-20
1219 MM 48 IN. CLASS III	
TWO STAGE FULL FREE-LIFT	12-18
INTEGRAL SIDESHIFT	
THREE STAGE FULL FREE-LIFT	
S100-120XM	12-24
TWO STAGE FULL FREE-LIFT	
S100-120XM	12-14
INTERMEDIATE MAST	
THREE STAGE FULL FREE-LIFT	11-4
L	
LABELS	1-25
LIFT PUMP	
DIESEL	3-42
LIGHTS BACK-UP AND BRAKE	
WITHOUT HEAVY DUTY AIR INTAKE	
OR OVERHEAD EXHAUST	4-52
LIGHTS REAR DRIVE, BACK-UP AND BRAKE	
WITH HEAVY DUTY AIR INTAKE	
OR OVERHEAD EXHAUST	4-50
LOAD BACKREST EXTENSION	
THREE STAGE FULL FREE-LIFT	11-30
TWO STAGE FULL FREE-LIFT	10-20
TWO STAGE LIMITED FREE-LIFT	9-20
LOW PRESSURE FUEL INJECTION	
DIESEL	3-38
LPG CONVERTER	3-6
LPG FUEL TANK BRACKET	
BOX CAR SPECIAL FIXED	3-13
FIXED BOX CAR SPECIAL	

TABLE OF CONTENTS (Continued)

DESCRIPTION	PAGE
L (continued)	
EUROPE	3-14
LPG TANK BRACKET	
EASY LIFT	3-20
80 BCS	3-16
EUROPE	3-24
EASY LIFT (S3.50/4.00XM BCS)	
EUROPE	3-18
FIXED NON BOX CAR	3-27
EUROPE	3-28
M	
MAIN CYLINDER	
THREE STAGE FULL FREE-LIFT	11-16
TWO STAGE LIMITED FREE-LIFT	
S100-120XM	9-12
S70-80XM	9-10
MAIN LIFT	
THREE STAGE FULL FREE-LIFT	11-8
TWO STAGE LIMITED FREE-LIFT	9-6
MAIN LIFT CYLINDER	
TWO STAGE FULL FREE-LIFT	10-10
MANIFOLDS	
DIESEL	2-54
MAST INSTALLATION	8-24
MASTER CYLINDER AND BRAKE BOOSTER	7-12
MONOTROL PEDAL	3-48
N	
NON-SUSPENSION SEAT	1-12
EUROPEAN OPTION	1-14
O	
OIL FILTER	
DIESEL	2-52
OIL PAN AND PUMP	
DIESEL	2-42
OIL PUMP	
GAS AND LPG	2-26
OUTER MAST	
THREE STAGE FULL FREE-LIFT	11-2
TWO STAGE LIMITED FREE-LIFT	9-2
OUTER MAST AND MAIN LIFT	
TWO STAGE FULL FREE-LIFT	10-2
OVERHEAD GUARD	1-10

TABLE OF CONTENTS (Continued)

DESCRIPTION	PAGE
P	
PARK BRAKE LEVER	7-14
Q	
QUICK DISCONNECT	12-32
R	
RADIATOR	
GAS AND LPG	2-4
REAR DRIVE LIGHT	
SINGLE	12-38
ROTARY EXHAUSTER	
DIESEL	2-48
S	
SHIFT LEVERS	6-4
STARTER	
DIESEL	4-46
OPTIONAL	4-48
GAS AND LPG	4-30
STEER AXLE	6-6
STEER TIRE AND WHEEL	12-34
STEERING COLUMN	6-2
STEERING CYLINDER	6-10
STROBE LIGHT	
HIGH MOUNT	12-40
LOW MOUNT	12-42
T	
THROTTLE	3-44
THROTTLE BODY INJECTOR	
GASOLINE	3-32
TILT CYLINDER	8-22
TIMING GEAR	
DIESEL	2-46
TORQUE CONVERTER	5-2
TRANSMISSION	5-4
TRANSMISSION CONTROL VALVE	
SHEET 1 OF 2	5-6
SHEET 2 OF 2	5-8
TRANSMISSION COOLING AND STEERING LINES	8-10
V	
VALVE COVER AND INLET MANIFOLD	
GAS AND LPG	2-18
VALVE COVER AND ROCKER ARM SHAFT	
DIESEL	2-40

TABLE OF CONTENTS (Continued)

DESCRIPTION	PAGE
W	
WATER PUMP	
DIESEL	2-50
WATER SEPARATOR	3-36
WIRE HARNESS	
CHASSIS	4-12
DASH	4-6
ENGINE	
DIESEL.....	4-44
GAS.....	4-24
LPG	4-28
LPS.....	4-34
POWER DISTRIBUTION GROUP	4-8

ABBREVIATIONS QUICK REFERENCE SHEET

Listed below are abbreviations used in parts manuals to denote the following expressions:

TERM	DEFINITION	TERM	DEFINITION
Amp	Amperes	FRE	Freezer Environment
AR	As Required	in.	inches
BDI	Battery Discharge Indicators	LPG	Liquefied Petroleum Gas
BWI	Brush Wear Indicator	MAP	Manifold Absolute Pressure
CE	Communicator End	mm	millimeters
CRE	Corrosive Environment	MSTS	Microprocessor Spark Timing System
D/B	Date Break	NPT	National Pipe Threads
dbA	Decibel "A" Scale	O/S	Oversize
DE	Drive End	PTO	Power Take Off
ECH	Empty Container Handler	RPM	Revolutions per Minute
ECH-3	Empty Container Handler - 3 High Stacking	S/N	Serial Number
ECH-4	Empty Container Handler - 4 High Stacking	TMM	Truck Management Module
ECH-5	Empty Container Handler - 5 High Stacking	UL Type D	Diesel-Powered Safety Rating
ECH-6	Empty Container Handler - 6 High Stacking	UL Type DS	Diesel-Powered Safety Rating
ECH-7	Empty Container Handler - 7 High Stacking	UL Type E	Battery-Powered Safety Rating
ECM	Electronic Control Module	UL Type EE	Battery-Powered Safety Rating
ECN	Engineering Change Notice	UL Type ES	Battery-Powered Safety Rating
EEPROM	Electrically Erasable Programmable Read Only Memory	UL Type G	Gasoline-Powered Safety Rating
EPROM	Electrically Programmable Read Only Memory	UL Type GS	Gasoline-Powered Safety Rating
		UL Type LP	Gas-Powered Safety Rating
		UL Type LPS	LP Gas-Powered Safety Rating
		U/S	Undersize
		UL	Underwriters Laboratory
		V	Volts

HOW TO USE THE ILLUSTRATED PARTS MANUAL

This parts manual describes and illustrates assemblies, subassemblies, and detail parts needed for service replacement.

The different constructions are indicated by keys and footnotes. The callouts correspond to descriptions found on the next page.

06/2001 UNIT CODE G160 EUROPE **HYSTER**

3 → **TABLE OF CONTENTS**

DESCRIPTION	PAGE
ACCELERATOR/MONOTROL PEDAL.....	5-2
BACKUP ALARM.....	
BATTERY CONNECTOR.....	
BATTERY ROLLER AN.....	
BRAKE ASSEMBLY.....	
BRAKE MASTER CYLIND.....	
BRAKE PEDAL LINKAGE.....	
CARRIAGE.....	
THREE STAGE FULL.....	
TWO STAGE FULL FR.....	
TWO STAGE LIMITED.....	
CONTROL VALVE.....	
COUNTERWEIGHT.....	
DASH DISPLAY.....	
DC-DC CONVERTER.....	

4 → **SECTION 11 NUMERICAL INDEX**

PART NO.	PG	ITEM	PART NO.	PG	ITEM	PART NO.	PG	ITEM	PART NO.	PG	ITEM
138	5-9	31	5-17	42	16481	6-25	3	6-7	16882	9-7	28
	5-13	31	7-13	8		6-25	4	6-25	16883	6-25	8
	5-9	32	1-3	6		6-25	53	16883	7-5	25	5
139	5-9	32	1-4	45		6-26	65	16982	8-5	24	19
	5-13	32	5-9	16		10-3	16		9-5	19	10
12921	3-12	10	5-13	16	16483	6-26	48	16989	6-25	10	19
14269	5-5	8	5-13	23	16484	6-11	3	17051	7-5	19	19
				42		6-11	9		8-5	13	6
				34		6-13	101		9-5	13	13
				13		6-25	7	17061	6-25	6	24
				10		6-25	8		3-9	24	24
				11		6-25	11	17151	3-11	25	25
				21		6-25	20		6-25	22	22
				27		9-7	7	17775	6-25	22	22

1 → **SECTIONS**

1	ELEC
2	ST
3	ST
4	ST
5	BRAKE/ACCEL
6	HYD
7	MAST-TWO STAGE LI
8	MAST-THREE STAGE
9	MAST-TWO STAGE
10	NI
11	NI

2 → **SECTION 10 TRANSMISSION HOUSING**

10 → **TRANSMISSION HOUSING (= S/N G160-2628)**

KEY:
A: Diesel
B: Gasoline and LPG

ITEM	PART NO.	DESCRIPTION	QTY	A	B
	2022547	Transmission.....	1	..	1
	2023329	Transmission.....	1	1	1
	2064470	Case.....	2	2	2
	2023418	Bearing Cap.....	4	4	4
1	2023418	Washer.....	1	1	1
3	296426	Capscrew.....	2	2	2
3	293692	Capscrew.....	2	2	2
4	2021390	Cover.....	4	4	4
5	1371856	Colter Pin.....	1	1	1
6	2021329	O-Ring.....	4	4	4
7	2021915	Plug.....	22	22	22
8	2021675	Housing.....	39	39	39
9	2021336	Pin.....	1	1	1
10	287860	Capscrew.....	1	1	1
11	292682	Lockwasher.....	8	8	8
12	2021345	Hydraulic Pump (w/ Figure 6-6).....	1	1	1
13	214364	Gasket.....	8	8	8
14	296418	Capscrew.....	1	1	1
15	214364	Washer.....	1	1	1
16	2021388	Temperature Switch.....	9	9	9
17	2021389	Breather.....	9	9	9
18	2021383	Dipstick.....	2	2	2
19	292515	Capscrew.....	3	3	3
20	196692	Nut.....	3	2	2
21	292527	Capscrew.....	4	4	4
22	292531	Capscrew.....	4	4	4
23	292683	Lockwasher.....	1	1	1
24	293637	Capscrew.....	1	1	1
25	296420	Washer.....	1	1	1
	996403	Transmission Kit (Include Item 7).....			
	996405	Transmission Kit (Include Item 14).....			

6 → **SECTION 10 TRANSMISSION HOUSING**

7 → **SECTION 10 TRANSMISSION HOUSING**

8 → **SECTION 10 TRANSMISSION HOUSING**

9 → **SECTION 10 TRANSMISSION HOUSING**

10 → **SECTION 10 TRANSMISSION HOUSING**

This Parts Manual is divided into 11 major sections which are listed above. Quick reference may be made by placing the right thumb on the tab of the desired section, bending the book pages to the corresponding tab.

©2001 HYSTER COMPANY
See Service Manual for service procedures.
3-15

HP990135

HOW TO FIND THE DESIRED PART NUMBER

WHEN THE PART NUMBER AND THE NEXT HIGHER ASSEMBLY IS NOT KNOWN:

1. Determine the function and application of the part required. Turn to the Sections Page. Choose the general area of reference most likely to include the part.
2. Turn to the section you chose. Use the Section Table of Contents to determine the assembly which would normally contain the part required. Then locate the part on the assembly breakdown page.

WHEN THE PART NUMBER IS NOT KNOWN AND THE NEXT HIGHER ASSEMBLY IS KNOWN:

3. Determine the assembly the required part is used on. Turn to the Table of Contents on Page i.
4. Locate the assembly the required part is used on and turn to the page indicated for that assembly. Then locate the part on the assembly breakdown page.

WHEN THE PART NUMBER IS KNOWN:

5. Use the Numerical Index on Page 13-1 to find the part number. Turn to the page listed and locate the part as indicated by the item number.

GENERAL:

The assembly breakdowns include part numbers, descriptions, quantities required, keys and footnotes to help in selecting correct parts.

6. Five periods in the PART NO. column (.) indicate that the part is either *Not Serviced Separately* or there is a reference to another figure. A figure reference is denoted by a pointing hand followed by a figure number in the DESCRIPTION column (☞ Figure 10)
7. Keys are used to show two or more similar assemblies, RH and LH assembly parts, etc. Select the appropriate key, "A", "B", "C", "D", or "E" and the corresponding quantity column to find the required parts. Two periods in the QTY column (..) indicate that the part is not used for that assembly.
8. Indented descriptions under the DESCRIPTION column are used to indicate assemblies and subparts of assemblies. In the example on the

previous page, *BEARING CAP* (Item 2) is a subpart of the major assembly *CASE*.

9. Quantities shown are for one assembly. The quantities of the subpart *BEARING CAP* are indicated as two and two. This means two per *CASE* assembly.
10. Serial number breaks identify the most current parts information and are shown as follows:
⇒ **S/N D001H-2628**
Indicates last serial number affected.
S/N D001H-2629 ⇒
Indicates the first serial number affected.
S/N D001H-1553 ⇔ **S/N D001H-3291**
Indicates a range of serial numbers affected.

ECN numbers for pending serial numbers are shown to allow for the inclusion of the most current parts information and are identified as follows:

- ⇒ **S/N Pending Per ECN 63243**
Indicates a pending serial number for last unit affected.
S/N Pending Per ECN 63243 ⇒
Indicates a pending serial number for first unit affected.

Date breaks are used to indicate when a change occurred but a subsequent serial number break was not recorded. This is an arbitrary date usually based on the ECN release and are identified as follows:

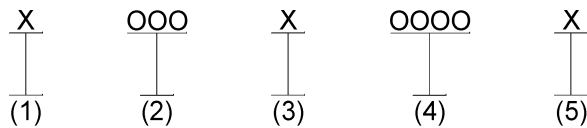
- ⇒ **D/B 3/00**
Indicates that a change occurred sometime within that month for the item affected.
D/B 3/00 ⇒
Indicates that a change occurred sometime within that month for the item affected.
D/B 3/00 ⇔ **D/B 4/00**
Indicates a range of production dates of the item affected.

Contact your local dealer for Hyster lift trucks for serial number information for items with a ECN or a date break.

ORDERING PARTS:

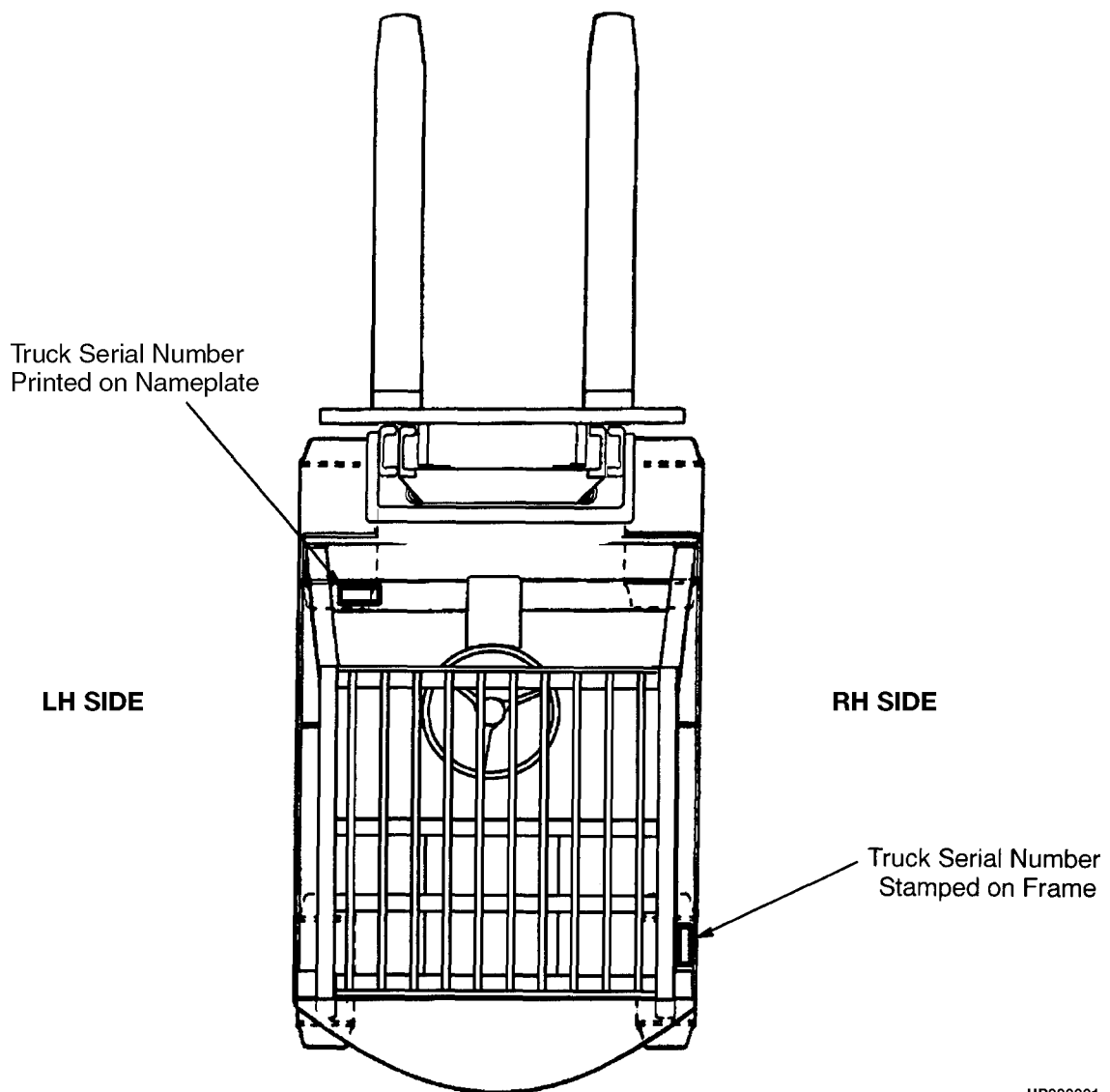
When ordering replacement parts, give the unit serial number, part number, name of part and quantity required.

For any further information on parts, service, or ordering, consult your local dealer for Hyster lift trucks.

IDENTIFICATION OF TRUCK SERIAL NUMBERS

- (1) and (2) The first letter and three numbers indicate the truck unit code.
- (3) The second letter indicates the plant of manufacture.
- (4) The four or five digit number indicates the production sequence number of the truck.
- (5) The final letter indicates the year of manufacture starting with "A" in 1957 and 1980. The letters "I", "O", and "Q" will not be used.

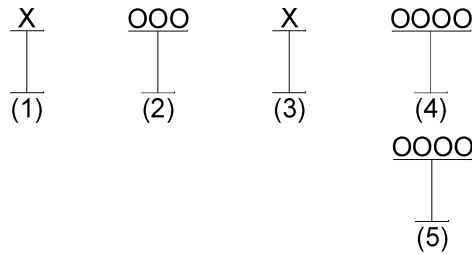
For pending serial numbers contact your local dealer for Hyster lift trucks.



HP990001

Parts referred to in this book as right or left hand parts are in accordance with the illustration above.

IDENTIFICATION OF MAST SERIAL NUMBERS



- (1) and (2) The first letter and number indicates the mast unit code.
- (3) The second letter indicates the plant of manufacture.
- (4) The four or five digit number indicates the production sequence number of the mast.
- (5) Carriage travel in millimeters stamped just below the serial number.

Mast Group identification consists of mast unit code (1) and (2) plus carriage travel (5).

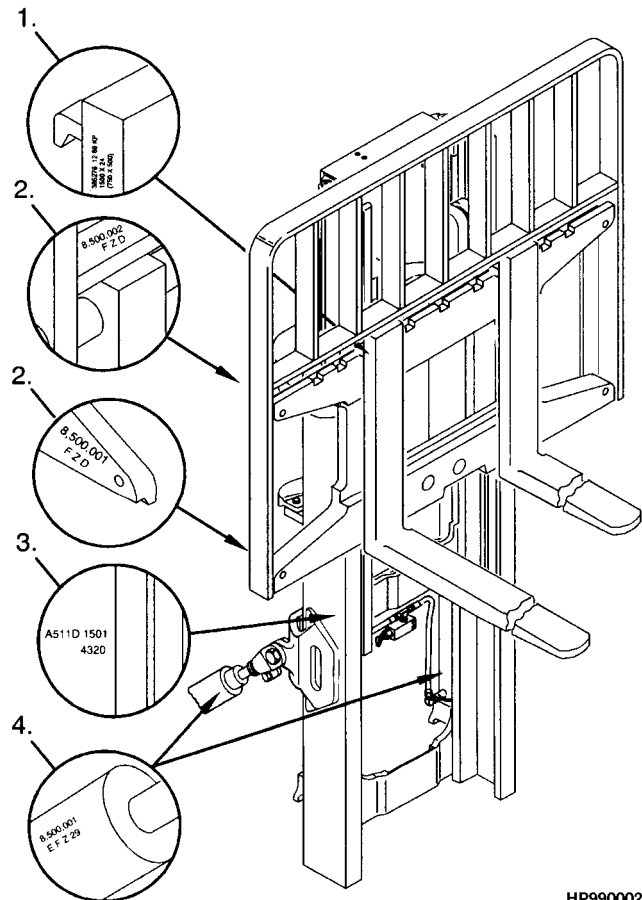
For pending production sequence numbers contact your local dealer for Hyster lift trucks.

LIFT EQUIPMENT IDENTIFICATION

1. Fork part number, capacity rating, plant code letter, and date of manufacture are stamped approximately six inches below the top of most forks.
2. The carriage group number is stamped on the right hand side of the top crossmember (pin type) or on the back of the right hand end of the bottom crossmember (hook type). A date code has two letters in line with or below the carriage group number.
3. The mast identification number has a unit code, a letter indicating the plant of manufacture, and a serial number. Underneath the production sequence number is a four digit number that indicates the carriage travel in millimeters.
4. Tilt and lift cylinder group numbers are stamped on the cylinder shell.

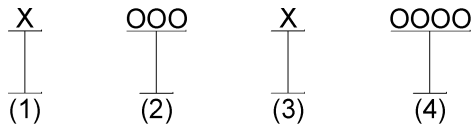
Always refer to the group, serial, or part number when ordering service parts.

Modification of masts and carriages by SPED (Special Products Engineering Department) are identified by a model prefix code beginning with the letter "S". contact your dealer for Hyster lift trucks for information on these assemblies.



HP990002

IDENTIFICATION OF ATTACHMENT AND SIDE-SHIFT CARRIAGE SERIAL NUMBERS

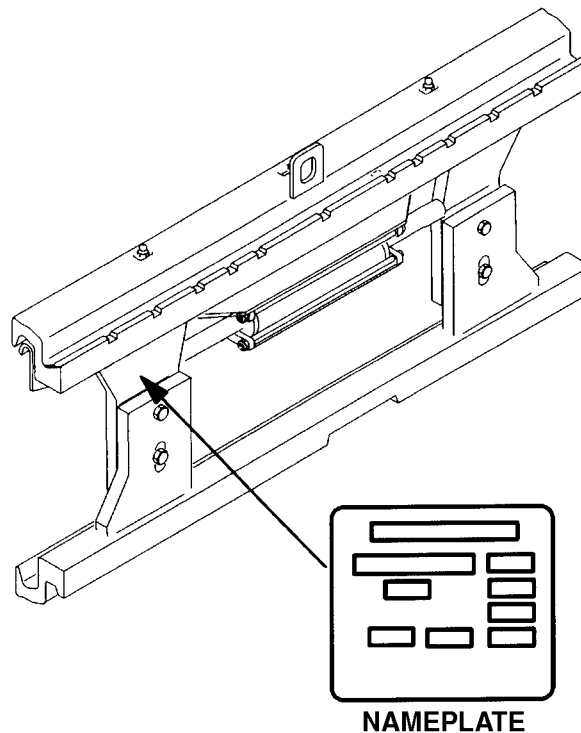


(1) and (2) The first letter and three numbers indicate the attachment unit code.

(3) The second letter indicates the plant of manufacture.

(4) The four or five digit number indicates the production sequence number.

For pending production sequence numbers contact your local dealer for Hyster lift trucks.



HP990003

Side-shift carriages and attachments have nameplates. Use the serial number found on the nameplate to identify the attachment.

Always refer to the group, serial, or part number when ordering service parts.

Modifications of attachments and side-shift carriages by SPED (Special Products Engineering Department) are identified by a model prefix code beginning with the letter "S". Contact your dealer for Hyster lift trucks for information on these assemblies.

PUBLICATIONS

Every new lift truck is provided with an OPERATING MANUAL. This manual has information that the operator must know for inspection and operation of the lift truck.

SERVICE MAINTENANCE MANUALS, which provide service and overhaul procedures, and PARTS MANUALS with complete replacement part identification, are available at a nominal fee from your Hyster dealer to assist users in effectively maintaining Hyster lift trucks in a safe, useful condition. See the list below for information on ordering specific publications for this model lift truck.

PUBLICATION	HYSTER PART NUMBER
Operating Manual	1510441
Service Manual (Complete)	1510455
Parts Manual	1510450