

PARTS MANUAL

ELECTRIC

**N25XMDR3, N30XMR3,
N40XMR3 (C470)
N50XMA3 (C471)**

CUSTOMER EDITION

HYSTER

SECTIONS

1	FRAME
2	ELECTRICAL SYSTEM
3	DRIVE UNIT
4	STEERING SYSTEM
5	BRAKE/ACCELERATOR SYSTEM
6	HYDRAULIC SYSTEM
7	MAST-TWO STAGE LIMITED FREE-LIFT
8	MAST-THREE STAGE FULL FREE-LIFT
9	CARRIAGE
10	OPTIONS
11	NUMERICAL INDEX

This Parts Manual is divided into 11 major sections which are listed above. Quick reference to these sections can be made by placing the right thumb on the tab of the desired section, bending the book back and thumbing the pages to the corresponding tab.

**Thanks very much for your reading,
Want to get more information,
Please click here, Then get the complete
manual**

JustClickHere 

NOTE:

**If there is no response to click on the link above,
please download the PDF document first, and then
click on it.**

**Have any questions please write to me:
admin@servicemanualperfect.com**

TABLE OF CONTENTS

DESCRIPTION	PAGE
B	
BACK UP ALARM	10-12
BACKREST	10-7
BATTERY CONNECTOR	2-20
BATTERY TRAY	10-16
BRAKE	5-5
BRAKE PEDAL AND OPERATOR SENSING SWITCH	5-8
BRAKE SYSTEM.....	5-2
C	
CARRIAGE	
INNER FRAME	9-8
SCISSOR	
24 IN. REACH	9-4
42 IN. REACH	9-6
STRADDLE	
N5XMA.....	9-2
CASTER WHEEL	3-4
CHAINS, PINS, AND ANCHORS	
THREE STAGE FULL FREE-LIFT	8-8
TWO STAGE LIMITED FREE-LIFT	
N30XMR3, N35XMR3, N40XMR3, N25XMDR3 STANDARD	7-4
CONTACTOR PANEL	
"E" CONSTRUCTION	2-8
"EE" CONSTRUCTION.....	2-10
CYLINDER INSTALLATION	
THREE STAGE FULL FREE-LIFT	8-10
TWO STAGE LIMITED FREE-LIFT.....	7-6
D	
DECAL AND PLATE LOCATION	1-8
DOUBLE REACH HYDRAULICS	6-20
DRIVE UNIT	
S/N C470N-01789Z⇒, S/N C471N-01512Z⇒.....	3-8
⇒S/N C470N-01789Z, ⇒S/N C471N-01512Z.....	3-6
E	
ELECTRICAL ARRANGEMENT	2-2
ELECTRICAL COMPONENTS.....	2-18
F	
FORKS	
HOOK TYPE	10-6
FREE LIFT CYLINDER	
TWO STAGE LIMITED FREE-LIFT.....	7-14
FREE-LIFT CYLINDER	8-14
FREE-LIFT MANIFOLD	
THREE STAGE FULL FREE-LIFT	
N30XMR3, N35XMR3, N40XMR3, N25XMDR3 STANDARD	8-6

TABLE OF CONTENTS (Continued)

DESCRIPTION	PAGE
H	
HEADER HOSE	
TWO AND THREE STAGE	
N30XMR3, N35XMR3, N40XMR3, N25XMDR3 STANDARD	8-4
HOOD AND COVERS	1-2
HOSE TAKE UP GROUP	
STRADDLE	
N50XMA3	7-8
HYDRAULIC CONTROL VALVE	
D/B 05/2002⇒	6-8
⇒D/B 05/2002	6-6
HYDRAULIC MOTOR	6-16
HYDRAULIC PUMP	6-14
HYDRAULIC PUMP AND MOTOR	6-12
HYDRAULIC STEER MOTOR	
S/N C470N-1789Z⇒, S/N C471N-1512Z⇒	4-10
⇒S/N C470N-1789Z, ⇒S/N C471N-1512Z	4-12
HYDRAULIC SYSTEM	6-2
HYDRAULIC TANK ASSEMBLY	6-10
I	
INTEGRAL SIDE-SHIFT ASSEMBLY	9-16
INTEGRAL TILT ASSEMBLY	9-13
L	
LIFT CONTACTOR	2-16
LIFT LIMIT SWITCH	
THREE STAGE FULL FREE-LIFT	8-16
TWO STAGE LIMITED FREE-LIFT	7-12
LIGHT AND FAN ASSEMBLY	10-10
M	
MAIN LIFT CYLINDER	
THREE STAGE FULL FREE-LIFT	
N30XMR3, N35XMR3, N40XMR3, N25XMDR3 STANDARD	8-12
TWO STAGE LIMITED FREE-LIFT	
N30XMR3, N35XMR3, N40XMR3, N25XMDR3 STANDARD	7-10
MAST MOUNTED HEADLIGHTS	10-8
MASTER CYLINDER	5-10
MASTER DRIVE UNIT	3-2
MULTI-FUNCTION CONTROL HANDLE	2-6
O	
OPERATOR GUARD	1-6
OUTER, INTERMEDIATE, AND INNER	
THREE STAGE FULL FREE-LIFT	
N30XMR3, N35XMR3, N40XMR3, N25XMDR3 STANDARD	8-2

TABLE OF CONTENTS (Continued)

DESCRIPTION	PAGE
P	
POWER STEER ARRANGEMENT	
S/N C470N-01789Z⇒, S/N C471N-01512Z⇒.....	4-4
⇒S/N C470N-01789Z, ⇒S/N C471N-01512Z.....	4-2
POWER STEER CONTACTOR.....	2-12
R	
REACH CYLINDER	
24 IN. AND 42 IN. REACH.....	9-11
REAR WORKING LIGHT	10-9
S	
SIDE-SHIFT ASSEMBLY	
N50XMA3.....	10-2
SIDE-SHIFT CYLINDER ASSEMBLY	10-4
SINGLE REACH HYDRAULICS.....	6-18
SLAVE CYLINDER.....	5-6
STEER AND AUXILIARY MOTOR	
"E" CONSTRUCTION.....	4-16
"EE" CONSTRUCTION.....	4-18
STEER AND AUXILIARY PUMP	4-20
STEER AND AUXILIARY PUMP AND MOTOR	4-14
STEER CONTROL UNIT	
S/N C470N-01789Z⇒, S/N C471N-01512Z⇒.....	4-8
⇒S/N C470N-01789Z, ⇒S/N C471N-01512Z.....	4-6
T	
TANDEM LOAD WHEEL	10-14
TRACTION CONTACTOR	2-14
TRACTION MOTOR	
S/N C470N-01789Z⇒ (C470), S/N C471N-01512Z⇒ (C471).....	3-12
⇒S/N C470N-01789Z (C470), ⇒S/N C471N-01512Z (C471).....	3-10
U	
UPRIGHTS	
LIMITED FREE-LIFT/STRADDLE	
N30XMR3, N35XMR3, N40XMR3, N25XMDR3 STANDARD/N50XMA2.....	7-2

ABBREVIATIONS QUICK REFERENCE SHEET

Listed below are abbreviations used in parts manuals to denote the following expressions:

TERM	DEFINITION	TERM	DEFINITION
Amp	Amperes	FRE	Freezer Environment
AR	As Required	in.	inches
BDI	Battery Discharge Indicators	LPG	Liquefied Petroleum Gas
BWI	Brush Wear Indicator	MAP	Manifold Absolute Pressure
CE	Communicator End	mm	millimeters
CRE	Corrosive Environment	MSTS	Microprocessor Spark Timing System
D/B	Date Break	NPT	National Pipe Threads
dbA	Decibel "A" Scale	O/S	Oversize
DE	Drive End	PTO	Power Take Off
ECH	Empty Container Handler	RPM	Revolutions per Minute
ECH-3	Empty Container Handler - 3 High Stacking	S/N	Serial Number
ECH-4	Empty Container Handler - 4 High Stacking	TMM	Truck Management Module
ECH-5	Empty Container Handler - 5 High Stacking	UL Type D	Diesel-Powered Safety Rating
ECH-6	Empty Container Handler - 6 High Stacking	UL Type DS	Diesel-Powered Safety Rating
ECH-7	Empty Container Handler - 7 High Stacking	UL Type E	Battery-Powered Safety Rating
ECM	Electronic Control Module	UL Type EE	Battery-Powered Safety Rating
ECN	Engineering Change Notice	UL Type ES	Battery-Powered Safety Rating
EEPROM	Electrically Erasable Programmable Read Only Memory	UL Type G	Gasoline-Powered Safety Rating
EPROM	Electrically Programmable Read Only Memory	UL Type GS	Gasoline-Powered Safety Rating
		UL Type LP	Gas-Powered Safety Rating
		UL Type LPS	LP Gas-Powered Safety Rating
		U/S	Undersize
		UL	Underwriters Laboratory
		V	Volts

HOW TO USE THE ILLUSTRATED PARTS MANUAL

This parts manual describes and illustrates assemblies, subassemblies, and detail parts needed for service replacement.

The different constructions are indicated by keys and footnotes. The callouts correspond to descriptions found on the the next page.

HYSTER UNIT CODE D001 NORTH AMERICA 06/2001

TABLE OF CONTENTS

DESCRIPTION	PAGE
AIR INTAKE AND FILTER DIESEL (⇒ D/B 11/96).....	3-22
AIR INTAKE AND FILTER DIESEL (D/B 11/96 ⇒).....	
AIR INTAKE AND FILTER GASOLINE AND LPG.....	
ALTERNATOR GASOLINE, LPG, AND DIESEL -	
ALTERNATOR TYPES GS, LPS, AND DS.....	
AUXILIARY FUNCTION TUBE TWO AND THREE STAGE FULL F	

SECTION 13 NUMERICAL INDEX

PART NO.	ITEM PAGE NO.	PART NO.	ITEM PAGE NO.	PART NO.	ITEM PAGE NO.	PART NO.	ITEM PAGE NO.
142	3-4 19	10-13	25	11-27	29	12-31	12
12445	3-32 19	10-17	6	11-31	25	16719	3-36 5
	3-34 1	10-27	11	11-32	37	16751	3-16 27
		11	6	16485	29	16849	3-34 21
		11-11	6	8-4	45		3-36 20
		12-11	11	8-8	34	16863	3-26 17
		4	13	9-7	9	16865	3-6 18
		12	6	9-7	19	16882	9-7 30
		3	17	9-11	9		9-11 27
		9	10	9-11	17		10-10 36
		23	46	10-9	21		10-13 32
		27	46	10-9	28		11-7 24
		26	14	10-13	16		11-9 17
		28	14	11-7	19		
		30	14				

SECTIONS

- 1
- 2
- 3
- 4
- 5
- 6
- 7
- 8
- 9
- 10
- 11

TRANSMISSION HOUSING ⇒ S/N D001H-2628

KEY:
A: Diesel
B: Gasoline and LPG

ITEM	PART NO.	DESCRIPTION	A	B
		Transmission.....	1	1
	2022547	Transmission.....	1	1
	2023329	Transmission.....	2	2
	2021670	Case.....	4	4
1	2023418	Bearing Cap.....	4	4
2	296426	Washer.....	1	1
3	293592	Bolt.....	2	2
4	2021390	Cover.....	4	4
5	1371656	Colter Pin.....	1	1
6	2021329	O-Ring.....	4	4
7	2021915	Plug.....	4	4
8	2021675	Housing.....	22	22
9	2021336	Pin.....	39	39
10	287860	Bolt.....	1	1
11	292682	Lockwasher.....	1	1
12		Hydraulic Pump.....	8	8
13		Figure 5-3.....	8	8
14	2021345	Gasket.....	1	1
15	214364	Bolt.....	1	1
16	296418	Washer.....	1	1
17	2021388	Temperature Switch.....	1	1
18	2021389	Breather.....	9	9
19	2021383	Dipstick.....	9	9
20	292515	Bolt.....	2	2
21	136692	Nut.....	3	3
22	292527	Bolt.....	3	3
23	292531	Lockwasher.....	4	4
24	292683	Lockwasher.....	4	4
25	293637	Bolt.....	1	1
26	296420	Washer.....	1	1
	996403	Transmission Kit (Includes Item 7).....	1	1
	996405	Transmission Kit (Includes Item 14).....	1	1

This Parts Manual is divided into 11 major sections which are listed above. Quick be made by placing the right thumb on the tab of the desired section, bending the pages to the corresponding tab.

©2002 HYSTER COMPANY

See Service Manual for service procedures.

5-15

HOW TO FIND THE DESIRED PART NUMBER

WHEN THE PART NUMBER AND THE NEXT HIGHER ASSEMBLY IS NOT KNOWN:

1. Determine the function and application of the part required. Turn to the Sections Page. Choose the general area of reference most likely to include the part.
2. Turn to the section you chose. Use the Section Table of Contents to determine the assembly which would normally contain the part required. Then locate the part on the assembly breakdown page.

WHEN THE PART NUMBER IS NOT KNOWN AND THE NEXT HIGHER ASSEMBLY IS KNOWN:

3. Determine the assembly the required part is used on. Turn to the Table of Contents on Page i.
4. Locate the assembly the required part is used on and turn to the page indicated for that assembly. Then locate the part on the assembly breakdown page.

WHEN THE PART NUMBER IS KNOWN:

5. Use the Numerical Index on Page 11-1 to find the part number. Turn to the page listed and locate the part as indicated by the item number.

GENERAL:

The assembly breakdowns include part numbers, descriptions, quantities required, keys and footnotes to help in selecting correct parts.

6. Five periods in the PART NO. column (.) indicate that the part is either *Not Serviced Separately* or there is a reference to another figure. A figure reference is denoted by a pointing hand followed by a figure number in the DESCRIPTION column (☞ Figure 10)
7. Keys are used to show two or more similar assemblies, RH and LH assembly parts, etc. Select the appropriate key, "A", "B", "C", "D", or "E" and the corresponding quantity column to find the required parts. Two periods in the QTY column (..) indicate that the part is not used for that assembly.
8. Indented descriptions under the DESCRIPTION column are used to indicate assemblies and subparts of assemblies. In the example on the

previous page, *BEARING CAP* (Item 2) is a subpart of the major assembly *CASE*.

9. Quantities shown are for one assembly. The quantities of the subpart *BEARING CAP* are indicated as two and two. This means two per *CASE* assembly.
10. Serial number breaks identify the most current parts information and are shown as follows:
⇒ **S/N D001H-2628**
Indicates last serial number affected.
S/N D001H-2629 ⇒
Indicates the first serial number affected.
S/N D001H-1553 ⇔ **S/N D001H-3291**
Indicates a range of serial numbers affected.

ECN numbers for pending serial numbers are shown to allow for the inclusion of the most current parts information and are identified as follows:

- ⇒ **S/N Pending Per ECN 63243**
Indicates a pending serial number for last unit affected.
S/N Pending Per ECN 63243 ⇒
Indicates a pending serial number for first unit affected.

Date breaks are used to indicate when a change occurred but a subsequent serial number break was not recorded. This is an arbitrary date usually based on the ECN release and are identified as follows:

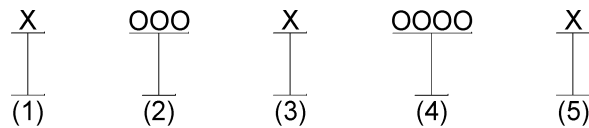
- ⇒ **D/B 3/00**
Indicates that a change occurred sometime within that month for the item affected.
D/B 3/00 ⇒
Indicates that a change occurred sometime within that month for the item affected.
D/B 3/00 ⇔ **D/B 4/00**
Indicates a range of production dates of the item affected.

Contact your local dealer for Hyster lift trucks for serial number information for items with a ECN or a date break.

ORDERING PARTS:

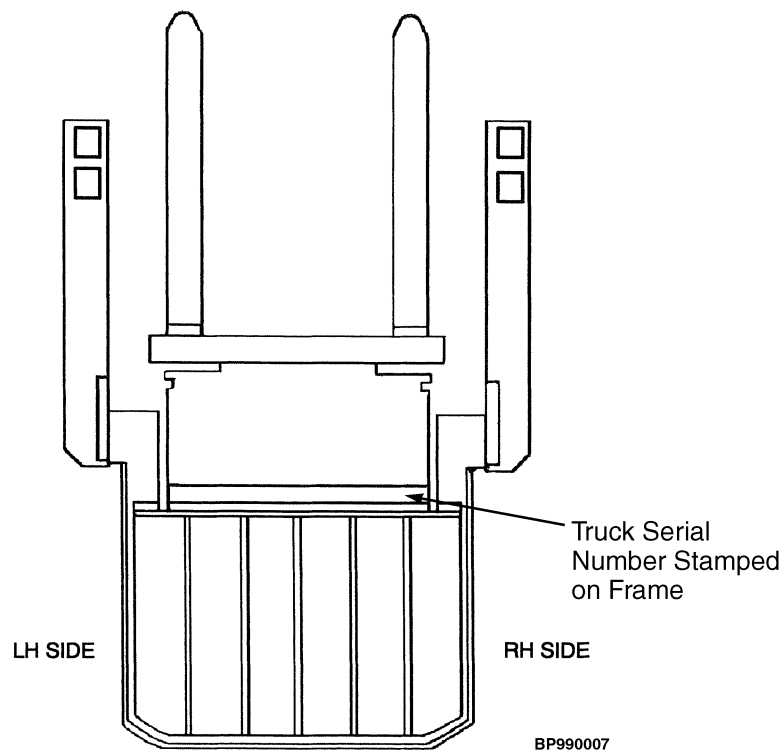
When ordering replacement parts, give the unit serial number, part number, name of part and quantity required.

For any further information on parts, service, or ordering, consult your local dealer for Hyster lift trucks.

IDENTIFICATION OF TRUCK SERIAL NUMBERS

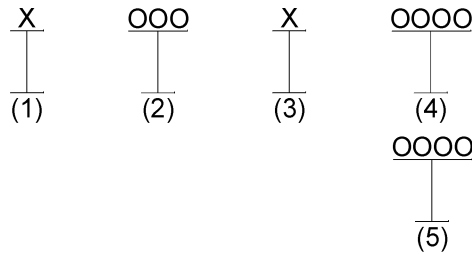
- (1) and (2) The first letter and three numbers indicate the truck unit code.
- (3) The second letter indicates the plant of manufacture.
- (4) The four or five digit number indicates the production sequence number of the truck.
- (5) The final letter indicates the year of manufacture starting with "A" in 1957 and 1980. The letters "I", "O", and "Q" will not be used.

For pending serial numbers contact your local dealer for Hyster lift trucks.



Parts referred to in this book as right or left hand parts are in accordance with the illustration above.

IDENTIFICATION OF MAST SERIAL NUMBERS



- (1) and (2) The first letter and number indicates the mast unit code.
- (3) The second letter indicates the plant of manufacture.
- (4) The four or five digit number indicates the production sequence number of the mast.
- (5) Carriage travel in millimeters stamped just below the serial number.

Mast Group identification consists of mast unit code (1) and (2) plus carriage travel (5).

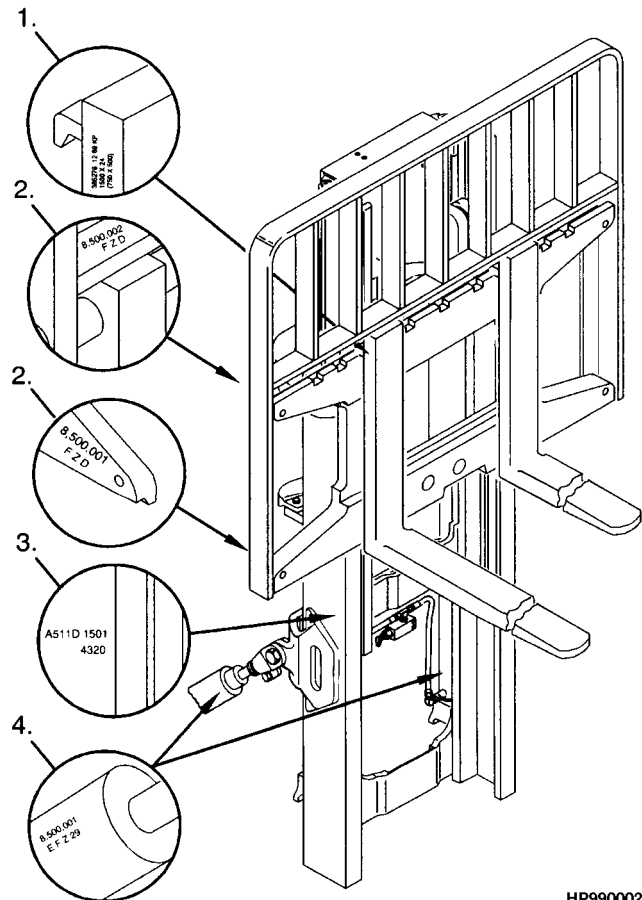
For pending production sequence numbers contact your local dealer for Hyster lift trucks.

LIFT EQUIPMENT IDENTIFICATION

1. Fork part number, capacity rating, plant code letter, and date of manufacture are stamped approximately six inches below the top of most forks.
2. The carriage group number is stamped on the right hand side of the top crossmember (pin type) or on the back of the right hand end of the bottom crossmember (hook type). A date code has two letters in line with or below the carriage group number.
3. The mast identification number has a unit code, a letter indicating the plant of manufacture, and a serial number. Underneath the production sequence number is a four digit number that indicates the carriage travel in millimeters.
4. Tilt and lift cylinder group numbers are stamped on the cylinder shell.

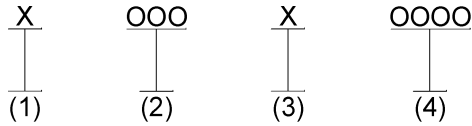
Always refer to the group, serial, or part number when ordering service parts.

Modification of masts and carriages by SPED (Special Products Engineering Department) are identified by a model prefix code beginning with the letter "S". contact your dealer for Hyster lift trucks for information on these assemblies.

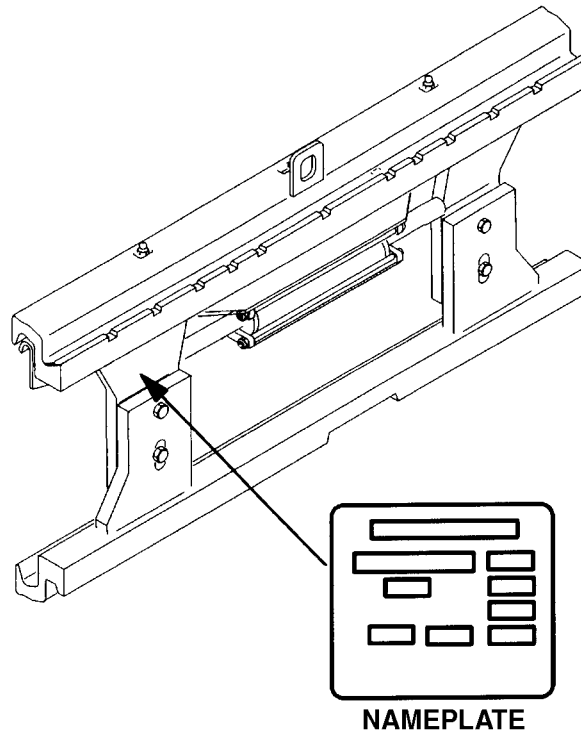


HP990002

IDENTIFICATION OF ATTACHMENT AND SIDE-SHIFT CARRIAGE SERIAL NUMBERS



- (1) and (2) The first letter and three numbers indicate the attachment unit code.
- (3) The second letter indicates the plant of manufacture.
- (4) The four or five digit number indicates the production sequence number.
- For pending production sequence numbers contact your local dealer for Hyster lift trucks.



HP990003

Side-shift carriages and attachments have nameplates. Use the serial number found on the nameplate to identify the attachment.

Always refer to the group, serial, or part number when ordering service parts.

Modifications of attachments and side-shift carriages by SPED (Special Products Engineering Department) are identified by a model prefix code beginning with the letter "S". Contact your dealer for Hyster lift trucks for information on these assemblies.

PUBLICATIONS

Every new lift truck is provided with an OPERATING MANUAL. This manual has information that the operator must know for inspection and operation of the lift truck.

SERVICE MAINTENANCE MANUALS, which provide service and overhaul procedures, and PARTS MANUALS with complete replacement part identification, are available at a nominal fee from your Hyster dealer to assist users in effectively maintaining Hyster lift trucks in a safe, useful condition. See the list below for information on ordering specific publications for this model lift truck.

PUBLICATION	HYSTER PART NUMBER
Operating Manual	1487036
Service Manual (Complete)	1496168
Parts Manual	1487038

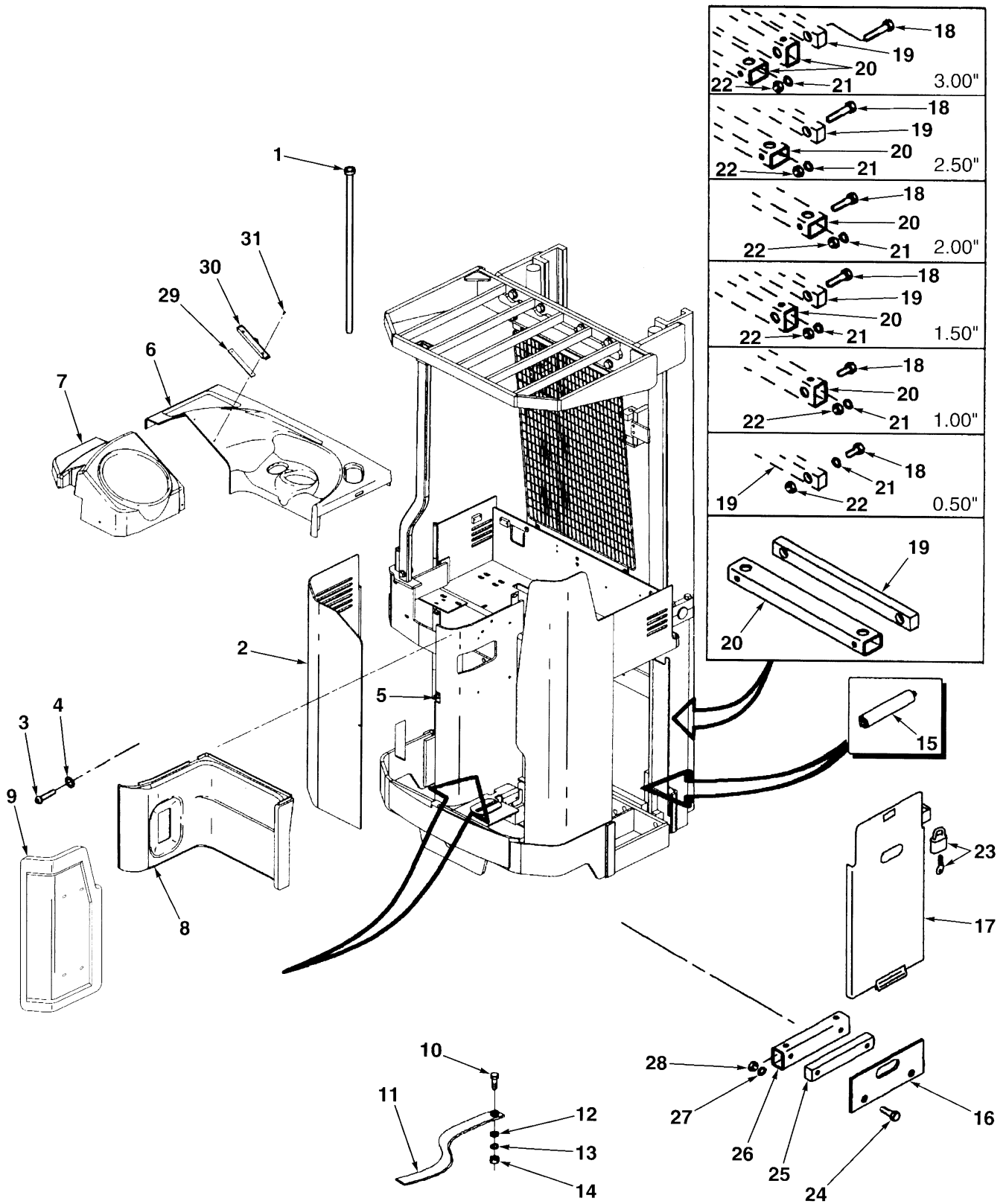
1

FRAME

SECTION 1
FRAME

DESCRIPTION	PAGE
DECAL AND PLATE LOCATION	1-8
HOOD AND COVERS	1-2
OPERATOR GUARD	1-6

HOOD AND COVERS (Figure 1-1)



HP120031

HOOD AND COVERS

ITEM	PART NO.	DESCRIPTION	QTY
1	2310970	Hinge (Standard)	1
1	2306030	Hinge (Freezer).....	1
2	1457027	Frame (Door)	1
3	17178	Capscrew.....	1
4	2034638	Washer	1
5	249668	Nut	1
6	1457257	Cover (12 in. Battery Compartment)	1
6	1457258	Cover (14 in. Battery Compartment)	1
6	1455970	Cover (16 in. Battery Compartment)	1
	16712	Screw	8
	15152	Lockwasher	8
	2031173	Clip	4
7	1455985	Cover	1
	18731	Capscrew	3
	18515	Washer	3
8	1474896	Cushion	1
	18460	Capscrew	2
	15154	Lockwasher	2
	15127	Washer	2
	2035767	Clipnut	2
9	1468017	Cushion	1
	1474743	Rivet	4
10	a 18497	Capscrew.....	1
11	a 216895	Static Strap	1
12	a 18515	Washer	2
13	a 15155	Lockwasher.....	1
14	a 15055	Nut	1
15	2303911	Roller (12 in. Battery Compartment)	5
15	368022	Roller (14 in. Battery Compartment)	5
15	2302952	Roller (16 in. Battery Compartment)	6
16	2305895	Cover (12 in. Battery Compartment)	2
16	2303689	Cover (14 in. Battery Compartment)	2
17	2306123	Plate (12 in. Battery Compartment)	2
17	2303803	Plate (14 in. Battery Compartment)	2
17	2302926	Plate (16 in. Battery Compartment)	2
17	2303359	Plate (16 in. Battery Compartment)	2
18	b 18497	Capscrew (0.5 and 1 in. Spacer).....	2
18	b 18508	Capscrew (1.5 and 2 in. Spacer).....	2
18	b 18513	Capscrew (2.5 and 3 in. Spacer).....	2
19	b 2306205	Spacer (0.5, 1.5, and 2.5 in. Spacer).....	1
20	b 2306243	Tube (Except 0.5 in. Spacer)	1
21	15155	Lockwasher.....	2
22	15055	Nut	2
23	a 2305060	Padlock	2
24	d 16836	Capscrew (Except 3 in. Spacer).....	2
24	d 18498	Capscrew (3 in. Spacer).....	4
25	d 2309538	Tube	1
25	d 2309538	Tube	2
26	d 2302703	Spacer	1
26	d 2302703	Spacer	2
27	15055	Nut	2