

PARTS MANUAL

WALKIE

W65Z (A229)

W60Z (A231)

W80Z (A234)

CUSTOMER EDITION

HYSTER

SECTIONS

1	FRAME/DRIVE UNIT	
2	ELECTRICAL SYSTEM	
3	STEER HANDLE/BRAKE SYSTEM	
4	LIFT LINKAGE AND FORKS	
5	HYDRAULIC SYSTEM	
6	OPTIONS	
7	NUMERICAL INDEX	

This Parts Manual is divided into 7 major sections which are listed above. Quick reference to these sections can be made by placing the right thumb on the tab of the desired section, bending the book back and thumbing the pages to the corresponding tab.

**Thanks very much for your reading,
Want to get more information,
Please click here, Then get the complete
manual**

JustClickHere 

NOTE:

**If there is no response to click on the link above,
please download the PDF document first, and then
click on it.**

**Have any questions please write to me:
admin@servicemanualperfect.com**

TABLE OF CONTENTS

DESCRIPTION	PAGE
B	
BATTERY DISCONNECT.....	1-8
BATTERY RETENTION.....	1-5
BATTERY ROLLER OPTION	6-6
C	
CASTER ASSEMBLY	
⇒ D/B 05/2001	4-10
D/B 05/2001 ⇒	4-8
CONTROL PANEL ASSEMBLY	
A231	
⇒ S/N A231N-01617Y	2-8
A234 - ALL	
S/N A231N-01617 ⇒ A231	2-10
CONTROLLER PANEL ASSEMBLY	
A229.....	2-12
CONVENIENCE TRAY OPTION	6-12
COVERS	1-4
D	
DECAL AND PLATE LOCATION.....	1-6
DRIVE UNIT ARRANGEMENT	
A231	
⇒ S/N A231N-01617.....	1-10
DRIVE UNIT ASSEMBLY	
A229 AND A234 ALL	
S/N A231N-01617 ⇒ (A231).....	1-12
E	
ELECTRIC BRAKE	
(A229 & A234 ALL)	
S/N A231N-01617Y ⇒ A231	3-2
⇒ S/N A231N-01617 A231	3-3
F	
FORK WELDMENT OPTION	6-2
G	
GENERAL TRUCK	
DRIVE END	1-2
H	
HYDRAULIC ARRANGEMENT	
A229/A234	5-4
A231.....	5-2
HYDRAULIC POWER UNIT	
A229/A234	5-8
A231.....	5-6

TABLE OF CONTENTS (Continued)

DESCRIPTION	PAGE
L	
LIFT CYLINDER	5-10
LIFT LINKAGE	4-2
LOAD BACKREST OPTION	6-5
LOAD WHEEL	
DUAL OPTION	6-10
SINGLE	
FOUR BEARING OPTION	6-8
TWO BEARING	4-6
T	
TILLER ARM ASSEMBLY	3-4
TILLER HANDLE ASSEMBLY	3-6
TRACTION MOTOR	
A229	2-6
A231	
⇒ S/N A231N-01617	2-2
A234 - ALL	
S/N A231N-01617 ⇒ A231	2-4

ABBREVIATIONS QUICK REFERENCE SHEET

Listed below are abbreviations used in parts manuals to denote the following expressions:

TERM	DEFINITION	TERM	DEFINITION
Amp	Amperes	FRE	Freezer Environment
AR	As Required	in.	inches
BDI	Battery Discharge Indicators	LPG	Liquefied Petroleum Gas
BWI	Brush Wear Indicator	MAP	Manifold Absolute Pressure
CE	Communicator End	mm	millimeters
CRE	Corrosive Environment	MSTS	Microprocessor Spark Timing System
D/B	Date Break	NPT	National Pipe Threads
dbA	Decibel "A" Scale	O/S	Oversize
DE	Drive End	PTO	Power Take Off
ECH	Empty Container Handler	RPM	Revolutions per Minute
ECH-3	Empty Container Handler - 3 High Stacking	S/N	Serial Number
ECH-4	Empty Container Handler - 4 High Stacking	TMM	Truck Management Module
ECH-5	Empty Container Handler - 5 High Stacking	UL Type D	Diesel-Powered Safety Rating
ECH-6	Empty Container Handler - 6 High Stacking	UL Type DS	Diesel-Powered Safety Rating
ECH-7	Empty Container Handler - 7 High Stacking	UL Type E	Battery-Powered Safety Rating
ECM	Electronic Control Module	UL Type EE	Battery-Powered Safety Rating
ECN	Engineering Change Notice	UL Type ES	Battery-Powered Safety Rating
EEPROM	Electrically Erasable Programmable Read Only Memory	UL Type G	Gasoline-Powered Safety Rating
EPROM	Electrically Programmable Read Only Memory	UL Type GS	Gasoline-Powered Safety Rating
		UL Type LP	Gas-Powered Safety Rating
		UL Type LPS	LP Gas-Powered Safety Rating
		U/S	Undersize
		UL	Underwriters Laboratory
		V	Volts

HOW TO USE THE ILLUSTRATED PARTS MANUAL

This parts manual describes and illustrates assemblies, subassemblies, and detail parts needed for service replacement.

The different constructions are indicated by keys and footnotes. The callouts correspond to descriptions found on the the next page.

HYSTER UNIT CODE D001 NORTH AMERICA 06/2001

TABLE OF CONTENTS

DESCRIPTION	PAGE
AIR INTAKE AND FILTER DIESEL (⇒ D/B 11/96).....	3-22
AIR INTAKE AND FILTER DIESEL (D/B 11/96 ⇒).....	
AIR INTAKE AND FILTER GASOLINE AND LPG.....	
ALTERNATOR GASOLINE, LPG, AND DIESEL -	
ALTERNATOR TYPES GS, LPS, AND DS.....	
AUXILIARY FUNCTION TUBE TWO AND THREE STAGE FULL F.....	

SECTION 13 NUMERICAL INDEX

PART NO.	ITEM PAGE NO.	PART NO.	ITEM PAGE NO.	PART NO.	ITEM PAGE NO.
142	3-4 19	10-13	25	11-27	29
12445	3-32 19	10-17	6	11-31	25
	3-34 1	10-27	11	11-32	37
		-11	6	8-4	29
		-21	11	8-4	45
		4	13	8-8	34
		12	6	9-7	9
		13	17	9-7	19
		19	10	9-11	9
		23	46	9-11	17
		27	46	10-9	21
		26	14	10-9	28
		28	14	10-13	16
		30	14	11-7	19
		30	25		

SECTIONS

- 1
- 2
- 3
- 4
- 5
- 6
- 7
- 8
- 9
- 10
- 11

TRANSMISSION HOUSING
⇒ S/N D001H-2628

KEY:
A: Diesel
B: Gasoline and LPG

ITEM	PART NO.	DESCRIPTION	QTY	
			A	B
		Transmission.....	1	1
	2022547	Transmission.....	1	1
	2023329	Case.....	2	2
	2021670	Bearing Cap.....	4	4
1	2003418	Washer.....	4	4
2	296426	Bolt.....	1	1
3	296426	Washer.....	2	2
4	293582	Cover.....	4	4
5	2021390	Cotter Pin.....	1	1
6	1371656	O-Ring.....	4	4
7	2021929	Plug.....	4	4
8	2021915	Housing.....	22	22
9	2021675	Pin.....	39	39
10	2021336	Bolt.....	1	1
11	287960	Lockwasher.....	1	1
12	292682	Hydraulic Pump.....	8	8
13	as Figure 5-3	8	8
14	2021345	Gasket.....	1	1
15	214364	Bolt.....	1	1
16	296418	Washer.....	1	1
17	2021388	Temperature Switch.....	9	9
18	2021389	Breather.....	9	9
19	2021383	Dipstick.....	2	2
20	282515	Bolt.....	3	3
21	136892	Nut.....	3	2
22	292527	Bolt.....	4	4
23	292531	Capscrew.....	4	4
24	292683	Lockwasher.....	4	4
25	293637	Bolt.....	1	1
26	296420	Washer.....	1	1
	996403	Transmission Kit (Includes Item 7).....	1	1
	996405	Transmission Kit (Includes Item 14).....	1	1

This Parts Manual is divided into 11 major sections which are listed above. Quick reference can be made by placing the right thumb on the tab of the desired section, bending the pages to the corresponding tab.

© Copy Right Date HYSTER COMPANY See Service Manual for service procedures. 5-15

HP990004

HOW TO FIND THE DESIRED PART NUMBER

WHEN THE PART NUMBER AND THE NEXT HIGHER ASSEMBLY IS NOT KNOWN:

1. Determine the function and application of the part required. Turn to the Sections Page. Choose the general area of reference most likely to include the part.
2. Turn to the section you chose. Use the Section Table of Contents to determine the assembly which would normally contain the part required. Then locate the part on the assembly breakdown page.

WHEN THE PART NUMBER IS NOT KNOWN AND THE NEXT HIGHER ASSEMBLY IS KNOWN:

3. Determine the assembly the required part is used on. Turn to the Table of Contents on Page i.
4. Locate the assembly the required part is used on and turn to the page indicated for that assembly. Then locate the part on the assembly breakdown page.

WHEN THE PART NUMBER IS KNOWN:

5. Use the Numerical Index on Page 7-1 to find the part number. Turn to the page listed and locate the part as indicated by the item number.

GENERAL:

The assembly breakdowns include part numbers, descriptions, quantities required, keys and footnotes to help in selecting correct parts.

6. Five periods in the PART NO. column (.) indicate that the part is either *Not Serviced Separately* or there is a reference to another figure. A figure reference is denoted by a pointing hand followed by a figure number in the DESCRIPTION column (☞Figure 10)
7. Keys are used to show two or more similar assemblies, RH and LH assembly parts, etc. Select the appropriate key, "A", "B", "C", "D", or "E" and the corresponding quantity column to find the required parts. Two periods in the QTY column (..) indicate that the part is not used for that assembly.
8. Indented descriptions under the DESCRIPTION column are used to indicate assemblies and subparts of assemblies. In the example on the

previous page, *BEARING CAP* (Item 2) is a subpart of the major assembly *CASE*.

9. Quantities shown are for one assembly. The quantities of the subpart *BEARING CAP* are indicated as two and two. This means two per *CASE* assembly.
10. Serial number breaks identify the most current parts information and are shown as follows:
 - ⇒ **S/N D001H-2628**
Indicates last serial number affected.
 - S/N D001H-2629** ⇒
Indicates the first serial number affected.
 - S/N D001H-1553** ⇔ **S/N D001H-3291**
Indicates a range of serial numbers affected.

ECN numbers for pending serial numbers are shown to allow for the inclusion of the most current parts information and are identified as follows:

- ⇒ **S/N Pending Per ECN 63243**
Indicates a pending serial number for last unit affected.
- S/N Pending Per ECN 63243** ⇒
Indicates a pending serial number for first unit affected.

Date breaks are used to indicate when a change occurred but a subsequent serial number break was not recorded. This is an arbitrary date usually based on the ECN release and are identified as follows:

- ⇒ **D/B 3/00**
Indicates that a change occurred sometime within that month for the item affected.
- D/B 3/00** ⇒
Indicates that a change occurred sometime within that month for the item affected.
- D/B 3/00** ⇔ **D/B 4/00**
Indicates a range of production dates of the item affected.

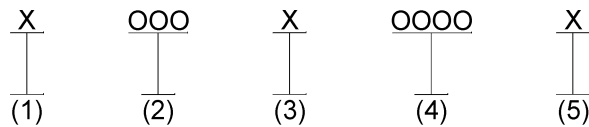
Contact your local dealer for Hyster lift trucks for serial number information for items with a ECN or a date break.

ORDERING PARTS:

When ordering replacement parts, give the unit serial number, part number, name of part and quantity required.

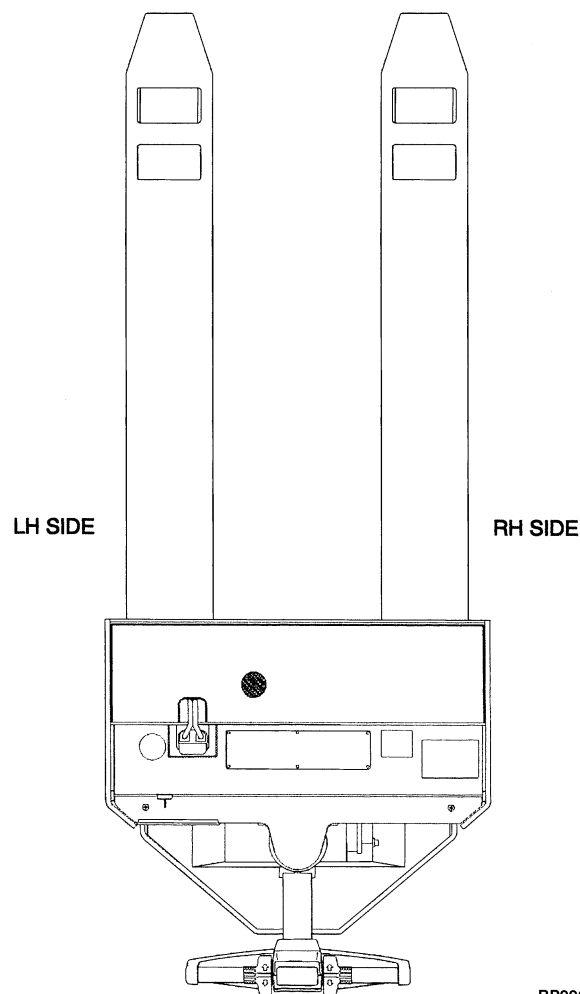
For any further information on parts, service, or ordering, consult your local dealer for Hyster lift trucks.

IDENTIFICATION OF TRUCK SERIAL NUMBERS



- (1) and (2) The first letter and three numbers indicate the truck unit code.
- (3) The second letter indicates the plant of manufacture.
- (4) The four or five digit number indicates the production sequence number of the truck.
- (5) The final letter indicates the year of manufacture starting with "A" in 1957 and 1980. The letters "I", "O", and "Q" will not be used.

For pending serial numbers contact your local dealer for Hyster lift trucks.



Parts referred to in this book as right or left hand parts are in accordance with the illustration above.

PUBLICATIONS

Every new lift truck is provided with an OPERATING MANUAL. This manual has information that the operator must know for inspection and operation of the lift truck.

SERVICE MAINTENANCE MANUALS, which provide service and overhaul procedures, and PARTS MANUALS with complete replacement part identification, are available at a nominal fee from your Hyster dealer to assist users in effectively maintaining Hyster lift trucks in a safe, useful condition. See the list below for information on ordering specific publications for this model lift truck.

PUBLICATION	HYSTER PART NUMBER
Operating Manual	1471935
Service Manual (Complete)	1480465
Parts Manual	1479554

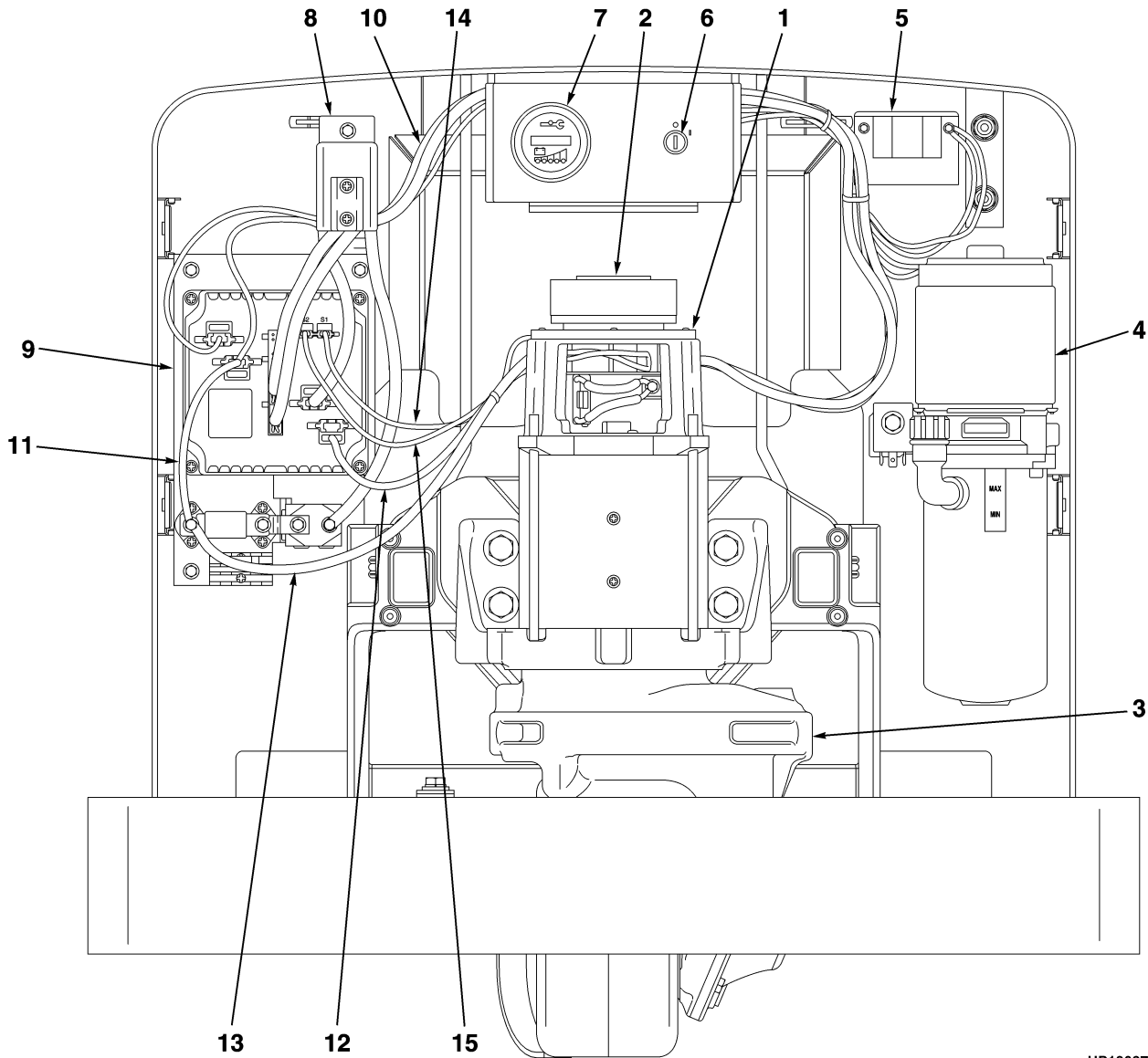
1

FRAME/DRIVE UNIT

SECTION 1
FRAME/DRIVE UNIT

DESCRIPTION	PAGE
BATTERY DISCONNECT	1-8
BATTERY RETENTION.....	1-5
COVERS	1-4
DECAL AND PLATE LOCATION.....	1-6
DRIVE UNIT ARRANGEMENT	
A231	
⇒ S/N A231N-01617.....	1-10
DRIVE UNIT ASSEMBLY	
A229 AND A234 ALL	
S/N A231N-01617 ⇒ (A231).....	1-12
GENERAL TRUCK	
DRIVE END	1-2

GENERAL TRUCK (Figure 1-1) DRIVE END



HP120379

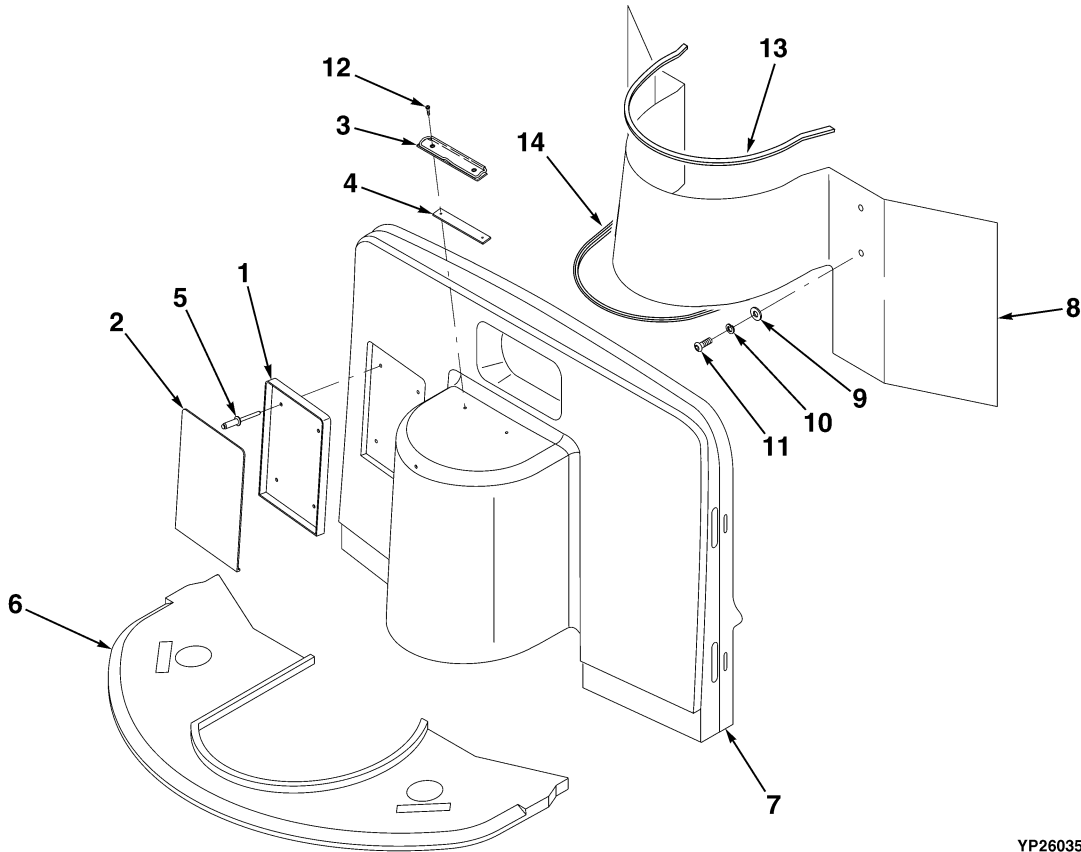
**GENERAL TRUCK
DRIVE END**

ITEM	PART NO.	DESCRIPTION	QTY
1	2041761	Traction motor, amp150 (☞ Figure 2-2)	1
2	2044222	Electric Brake (☞ Figure 3-1)	1
2	2044223	Electric Brake (☞ Figure 3-1)	1
3	2045094	Drive Unit (☞ Figure 1-7)	1
4	Hydraulic Assembly (☞ Figure 5-1)	1
5	2042675	Horn.....	1
5	15054	Nut	2
5	15127	Washer	2
5	15154	Lockwasher.....	2
5	220735	Screw.....	2
6	254007	Ignition Switch	1
6	262798	Ignition Key.....	1
7	e 1479039	Display	1
7	b 1479041	Display	1
7	2311797	Plug	1
8	Battery Disconnect (☞ Figure 1-5)	1
9	2045635	Control Panel (☞ Figure 2-6)	1
9	2046411	Control Panel (☞ Figure 2-6)	1
10	Wire Harness.....	1
11	2040488	Cable (+).....	1
11	b 2046207	Cable (+).....	1
12	2040489	Cable (A1).....	1
13	2040490	Cable (A2).....	1
14	ag 2046208	Cable (F1).....	1
14	f 2040491	Cable Assembly (F1)	1
15	ag 2046209	Cable Assembly (F2)	1
15	f 2040492	Cable Assembly (F2)	1
	c 2045102	Pump Cable (+) (A234).....	1
	c 2045103	Pump Cable (-) (A234).....	1
	c 2047728	Pump Cable (+) (A229).....	1
	c 2047729	Pump Cable (-) (A229).....	1
	cd 2044976	Boot	1
	c 133484	Grommet.....	2

FOOTNOTES:

- a** A229 and A234
- b** Cold Storage
- c** Not Illustrated
- d** Not Used on Cold Storage Option
- e** Optional Item
- f** ⇒ S/N A231N-01617 (A231)
- g** S/N A231N-01618 ⇒ (A231)

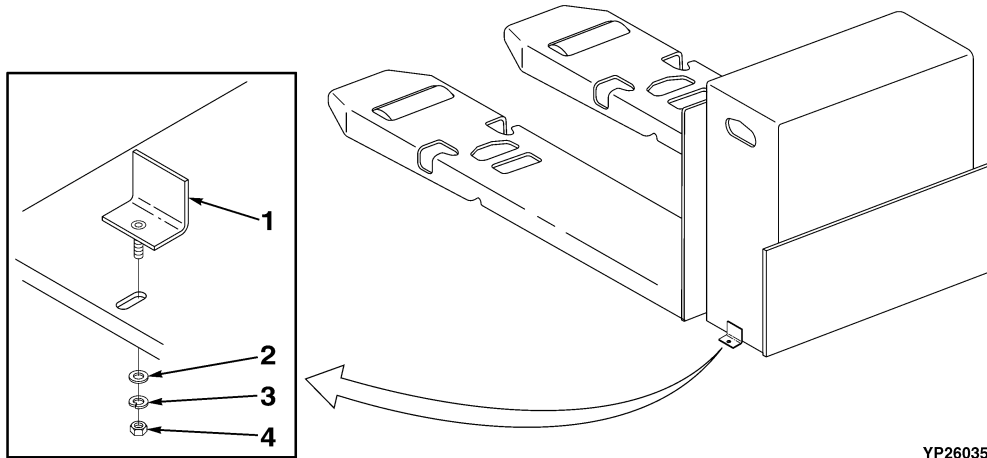
COVERS (Figure 1-2)



YP260352

ITEM	PART NO.	DESCRIPTION	QTY
1	335989	Base (Information Case).....	1
2	335991	Cover (Information Case)	1
3	2306899	Clip	1
4	2036141	Plate (Clip Mounting)	1
5	2040664	Rivet.....	4
6	2038176	Floormat	1
7	1468390	Front Cover	1
8	2049300	Cover (Lower)	1
9	15127	Washer	4
10	15154	Lockwasher.....	4
11	18720	Capscrew.....	4
12	227089	Screw.....	2
13	2044975	Channel (Rubber)	1
14	2049393	Channel (Rubber)	1

BATTERY RETENTION (Figure 1-3)



YP260354

ITEM	PART NO.	DESCRIPTION	QTY
1	2034556	Bracket Weldment.....	2
2	15178	Washer	2
3	15158	Lockwasher.....	2
4	221712	Nut	2