

580N
580SN WT
580SN
590SN
Tier 3
Tractor Loader Backhoe

SERVICE MANUAL

Part number 47860801

English
March 2015





SERVICE MANUAL

**580N Four-Wheel Drive (4WD) TIER 3 , 580N Two-Wheel Drive (2WD) TIER 3 ,
580N Two-Wheel Drive (2WD) TIER 3 , 580SN Four-Wheel Drive (4WD) TIER
3 , 580SN Four-Wheel Drive (4WD) TIER 3 , 580SN Two-Wheel Drive (2WD)
TIER 3 , 580SN Two-Wheel Drive (2WD) TIER 3 , 580SN WT Four-Wheel Drive
(4WD) TIER 3 , 590SN Four-Wheel Drive (4WD) TIER 3 , 590SN Two-Wheel
Drive (2WD) TIER 3**

Link Product / Engine

Product	Market Product	Engine
580N Two-Wheel Drive (2WD) TIER 3	Middle East Africa	F4GE9454K*J603
580N Two-Wheel Drive (2WD) TIER 3	North America	F4GE9454K*J603
580N Two-Wheel Drive (2WD) TIER 3	Latin America	F4GE9454K*J603
580N Two-Wheel Drive (2WD) TIER 3	Australia New Zealand	F4GE9454K*J603
580N Two-Wheel Drive (2WD) TIER 3	Asia Pacific	F4GE9454K*J603
580N Two-Wheel Drive (2WD) TIER 3	Asia Pacific	F4GE9454K*J603
580N Two-Wheel Drive (2WD) TIER 3	North America	F4GE9454K*J603
580N Two-Wheel Drive (2WD) TIER 3	Australia New Zealand	F4GE9454K*J603
580N Two-Wheel Drive (2WD) TIER 3	Middle East Africa	F4GE9454K*J603
580N Two-Wheel Drive (2WD) TIER 3	Latin America	F4GE9454K*J603
580N Four-Wheel Drive (4WD) TIER 3	Middle East Africa	F4GE9454K*J603
580N Four-Wheel Drive (4WD) TIER 3	North America	F4GE9454K*J603
580N Four-Wheel Drive (4WD) TIER 3	Asia Pacific	F4GE9454K*J603
580N Four-Wheel Drive (4WD) TIER 3	Latin America	F4GE9454K*J603
580N Four-Wheel Drive (4WD) TIER 3	Australia New Zealand	F4GE9454K*J603
580SN Two-Wheel Drive (2WD) TIER 3	Australia New Zealand	F4HE0484G*J108
580SN Two-Wheel Drive (2WD) TIER 3	Asia Pacific	F4HE0484G*J108
580SN Two-Wheel Drive (2WD) TIER 3	North America	F4HE0484G*J108
580SN Two-Wheel Drive (2WD) TIER 3	Middle East Africa	F4HE0484G*J108
580SN Two-Wheel Drive (2WD) TIER 3	Latin America	F4HE0484G*J108
580SN Two-Wheel Drive (2WD) TIER 3	North America	F4HE0484G*J108
580SN Two-Wheel Drive (2WD) TIER 3	Australia New Zealand	F4HE0484G*J108
580SN Two-Wheel Drive (2WD) TIER 3	Asia Pacific	F4HE0484G*J108
580SN Two-Wheel Drive (2WD) TIER 3	Middle East Africa	F4HE0484G*J108
580SN Two-Wheel Drive (2WD) TIER 3	Latin America	F4HE0484G*J108

Product	Market Product	Engine
580SN Four-Wheel Drive (4WD) TIER 3	Middle East Africa	F4HE0484G*J108
580SN Four-Wheel Drive (4WD) TIER 3	North America	F4HE0484G*J108
580SN Four-Wheel Drive (4WD) TIER 3	Asia Pacific	F4HE0484G*J108
580SN Four-Wheel Drive (4WD) TIER 3	Latin America	F4HE0484G*J108
580SN Four-Wheel Drive (4WD) TIER 3	Australia New Zealand	F4HE0484G*J108
580SN Four-Wheel Drive (4WD) TIER 3	Asia Pacific	F4HE0484G*J108
580SN Four-Wheel Drive (4WD) TIER 3	Middle East Africa	F4HE0484G*J108
580SN Four-Wheel Drive (4WD) TIER 3	North America	F4HE0484G*J108
580SN Four-Wheel Drive (4WD) TIER 3	Australia New Zealand	F4HE0484G*J108
580SN Four-Wheel Drive (4WD) TIER 3	Latin America	F4HE0484G*J108
580SN WT Four-Wheel Drive (4WD) TIER 3	North America	F4HE0484G*J108
580SN WT Four-Wheel Drive (4WD) TIER 3	Latin America	F4HE0484G*J108
580SN WT Four-Wheel Drive (4WD) TIER 3	Asia Pacific	F4HE0484G*J108
580SN WT Four-Wheel Drive (4WD) TIER 3	Australia New Zealand	F4HE0484G*J108
580SN WT Four-Wheel Drive (4WD) TIER 3	Middle East Africa	F4HE0484G*J108
590SN Two-Wheel Drive (2WD) TIER 3	Latin America	F4HE9484C*J106
590SN Two-Wheel Drive (2WD) TIER 3	North America	F4HE9484C*J106
590SN Two-Wheel Drive (2WD) TIER 3	Asia Pacific	F4HE9484C*J106
590SN Two-Wheel Drive (2WD) TIER 3	Australia New Zealand	F4HE9484C*J106
590SN Two-Wheel Drive (2WD) TIER 3	Middle East Africa	F4HE9484C*J106
590SN Four-Wheel Drive (4WD) TIER 3	North America	F4HE9484C*J106
590SN Four-Wheel Drive (4WD) TIER 3	Latin America	F4HE9484C*J106
590SN Four-Wheel Drive (4WD) TIER 3	Australia New Zealand	F4HE9484C*J106
590SN Four-Wheel Drive (4WD) TIER 3	Middle East Africa	F4HE9484C*J106
590SN Four-Wheel Drive (4WD) TIER 3	Asia Pacific	F4HE9484C*J106

**Thanks very much for your reading,
Want to get more information,
Please click here, Then get the complete
manual**

JustClickHere 

NOTE:

**If there is no response to click on the link above,
please download the PDF document first, and then
click on it.**

**Have any questions please write to me:
admin@servicemanualperfect.com**

Contents

INTRODUCTION

Engine.....	10
[10.001] Engine and crankcase	10.1
[10.216] Fuel tanks	10.2
[10.218] Fuel injection system.....	10.3
[10.254] Intake and exhaust manifolds and muffler	10.4
[10.400] Engine cooling system	10.5
Transmission.....	21
[21.112] Power shuttle transmission.....	21.1
[21.113] Powershift transmission	21.2
[21.134] Power shuttle transmission external controls	21.3
[21.135] Powershift transmission external controls.....	21.4
[21.154] Power shuttle transmission internal components	21.5
[21.155] Powershift transmission internal components.....	21.6
Front axle system	25
[25.100] Powered front axle	25.1
[25.102] Front bevel gear set and differential	25.2
[25.108] Final drive hub, steering knuckles, and shafts	25.3
[25.400] Non-powered front axle	25.4
Rear axle system.....	27
[27.100] Powered rear axle.....	27.1
[27.106] Rear bevel gear set and differential.....	27.2
[27.120] Planetary and final drives	27.3
Brakes and controls	33
[33.110] Parking brake or parking lock	33.1
[33.202] Hydraulic service brakes	33.2

Hydraulic systems.....	35
[35.000] Hydraulic systems.....	35.1
[35.102] Pump control valves.....	35.2
[35.104] Fixed displacement pump.....	35.3
[35.106] Variable displacement pump.....	35.4
[35.204] Remote control valves.....	35.5
[35.300] Reservoir, cooler, and filters.....	35.6
[35.350] Safety and main relief valves.....	35.7
[35.359] Main control valve.....	35.8
[35.525] Auxiliary hydraulic valves and lines.....	35.9
[35.703] Stabilizer hydraulic system.....	35.10
[35.723] Front loader bucket hydraulic system.....	35.11
[35.726] Excavator and backhoe hydraulic controls.....	35.12
[35.736] Boom hydraulic system.....	35.13
[35.737] Dipper hydraulic system.....	35.14
[35.738] Excavator and backhoe bucket hydraulic system.....	35.15
[35.739] Swing arm hydraulic system.....	35.16
[35.740] Telescopic arm hydraulic system.....	35.17
Frames and ballasting.....	39
[39.100] Frame.....	39.1
[39.129] Stabilizers.....	39.2
Steering.....	41
[41.101] Steering control.....	41.1
[41.200] Hydraulic control components.....	41.2
[41.216] Cylinders.....	41.3
Wheels.....	44
[44.511] Front wheels.....	44.1
[44.520] Rear wheels.....	44.2

Cab climate control	50
[50.200] Air conditioning	50.1
Electrical systems	55
[55.024] Transmission control system	55.1
[55.100] Harnesses and connectors	55.2
[55.201] Engine starting system	55.3
[55.301] Alternator	55.4
[55.302] Battery	55.5
[55.408] Warning indicators, alarms, and instruments	55.6
[55.525] Cab engine controls	55.7
[55.991] Telematics	55.8
[55.DTC] FAULT CODES	55.9
Front loader and bucket	82
[82.100] Arm	82.1
[82.300] Bucket	82.2
Booms, dippers, and buckets	84
[84.100] Bucket	84.1
[84.114] Boom pivoting support	84.2
[84.910] Boom	84.3
[84.912] Dipper arm	84.4
Platform, cab, bodywork, and decals	90
[90.105] Machine shields and guards	90.1
[90.114] Operator protections	90.2
[90.124] Pneumatically-adjusted operator seat	90.3
[90.150] Cab	90.4
[90.151] Cab interior	90.5
[90.154] Cab doors and hatches	90.6



INTRODUCTION

Contents

INTRODUCTION

Foreword - Important notice regarding equipment servicing	3
Safety rules	4
Safety rules	5
Safety rules - Ductile iron	6
Safety rules - Ecology and the environment	7
Basic instructions - Shop and assembly	8
Battery - Basic instructions	10
Basic instructions – Support strut for loader lift arm	12
Basic instructions Hood	14
Basic instructions - Fuse and relay locations	15
Basic instructions - Fuse, relay, and diode icon definitions	19
Basic instructions - Diagnostic service tool port	26
Basic instructions - Welding on the machine	27
Cab heater - Basic instructions	29
Torque - Minimum tightening torques for normal assembly	30
Abbreviation Measurements	35
Capacities – 580N	37
Capacities – 580SN	39
Capacities – 580SN WT	41
Capacities – 590SN	43
Consumables	45
General specification - Severe Cold Weather Package (SCWP) (optional)	48
Hydraulic contamination	49
Product overview - Machine orientation	50

Foreword - Important notice regarding equipment servicing

All repair and maintenance work listed in this manual must be carried out only by qualified dealership personnel, strictly complying with the instructions given, and using, whenever possible, the special tools.

Anyone who performs repair and maintenance operations without complying with the procedures provided herein shall be responsible for any subsequent damages.

The manufacturer and all the organizations of its distribution chain, including - without limitation - national, regional, or local dealers, reject any responsibility for damages caused by parts and/or components not approved by the manufacturer, including those used for the servicing or repair of the product manufactured or marketed by the manufacturer. In any case, no warranty is given or attributed on the product manufactured or marketed by the manufacturer in case of damages caused by parts and/or components not approved by the manufacturer.

The manufacturer reserves the right to make improvements in design and changes in specifications at any time without notice and without incurring any obligation to install them on units previously sold. Specifications, descriptions, and illustrative material herein are as accurate as known at time of publication but are subject to change without notice.

In case of questions, refer to your CASE CONSTRUCTION Sales and Service Networks.

Safety rules


Personal safety





This is the safety alert symbol. It is used to alert you to potential personal injury hazards. Obey all safety messages that follow this symbol to avoid possible death or injury.

Throughout this manual you will find the signal words DANGER, WARNING, and CAUTION followed by special instructions. These precautions are intended for the personal safety of you and those working with you.

Read and understand all the safety messages in this manual before you operate or service the machine.

 DANGER indicates a hazardous situation that, if not avoided, will result in death or serious injury.

 WARNING indicates a hazardous situation that, if not avoided, could result in death or serious injury.

 CAUTION indicates a hazardous situation that, if not avoided, could result in minor or moderate injury.

FAILURE TO FOLLOW DANGER, WARNING, AND CAUTION MESSAGES COULD RESULT IN DEATH OR SERIOUS INJURY.

Machine safety

NOTICE: Notice indicates a situation that, if not avoided, could result in machine or property damage.

Throughout this manual you will find the signal word Notice followed by special instructions to prevent machine or property damage. The word Notice is used to address practices not related to personal safety.

Information

NOTE: Note indicates additional information that clarifies steps, procedures, or other information in this manual.

Throughout this manual you will find the word Note followed by additional information about a step, procedure, or other information in the manual. The word Note is not intended to address personal safety or property damage.

Safety rules

Unless otherwise instructed, always perform these steps before you service the machine:

1. Park the machine on a flat, level surface.
2. Place the backhoe in the transport position with the swing lock pin installed for transport.
3. Place the loader bucket on the ground, with the bottom of the loader bucket parallel to the surface.
4. Place the direction control lever and the transmission in neutral.
5. If you need to open the hood to perform service, raise the loader arms and install the support strut.
6. Shut down the engine.
7. Place a 'Do Not Operate' tag on the key switch so that it is visible to other workers or remove the key.

Safety rules - Ductile iron



⚠ DANGER

Altering cast ductile iron can cause it to weaken or break.

Before you weld, cut, or drill holes on any part of this machine, make sure that the part is not cast ductile iron.

Failure to comply will result in death or serious injury.

D0148A

Altering cast ductile iron can cause it to weaken or break. Unauthorized modifications to cast ductile iron parts can cause death or serious injury. Do not weld, cut, drill, repair, or attach items to cast ductile iron parts on this machine.

Before you weld, cut, or drill holes on any part of this machine, make sure the part is not cast ductile iron. See your dealer if you do not know if a part is cast ductile iron.

The following items are examples of cast ductile iron parts. There may also be other parts made of cast ductile iron that are not on the list below.

- two-wheel drive steering link
- dump links
- front axle
- stabilizers
- extend-a-hoe
- swing tower
- bucket linkage
- Air-Conditioning (A/C) compressor mounting bracket

Do not make any unauthorized modifications. Consult an authorized dealer before making any changes, additions, or modifications to this machine.

Safety rules - Ecology and the environment

Soil, air, and water quality is important for all industries and life in general. When legislation does not yet rule the treatment of some of the substances that advanced technology requires, sound judgment should govern the use and disposal of products of a chemical and petrochemical nature.

Familiarize yourself with the relative legislation applicable to your country, and make sure that you understand this legislation. Where no legislation exists, obtain information from suppliers of oils, filters, batteries, fuels, anti-freeze, cleaning agents, etc., with regard to the effect of these substances on man and nature and how to safely store, use, and dispose of these substances.

Helpful hints

- Avoid the use of cans or other inappropriate pressurized fuel delivery systems to fill tanks. Such delivery systems may cause considerable spillage.
- In general, avoid skin contact with all fuels, oils, acids, solvents, etc. Most of these products contain substances that may be harmful to your health.
- Modern oils contain additives. Do not burn contaminated fuels and or waste oils in ordinary heating systems.
- Avoid spillage when you drain fluids such as used engine coolant mixtures, engine oil, hydraulic fluid, brake fluid, etc. Do not mix drained brake fluids or fuels with lubricants. Store all drained fluids safely until you can dispose of the fluids in a proper way that complies with all local legislation and available resources.
- Do not allow coolant mixtures to get into the soil. Collect and dispose of coolant mixtures properly.
- The air-conditioning system contains gases that should not be released into the atmosphere. Consult an air-conditioning specialist or use a special extractor to recharge the system properly.
- Repair any leaks or defects in the engine cooling system or hydraulic system immediately.
- Do not increase the pressure in a pressurized circuit as this may lead to a component failure.
- Protect hoses during welding. Penetrating weld splatter may burn a hole or weaken hoses, allowing the loss of oils, coolant, etc.

Battery recycling

Batteries and electric accumulators contain several substances that can have a harmful effect on the environment if the batteries are not properly recycled after use. Improper disposal of batteries can contaminate the soil, groundwater, and waterways. CASE CONSTRUCTION strongly recommends that you return all used batteries to a CASE CONSTRUCTION dealer, who will dispose of the used batteries or recycle the used batteries properly. In some countries, this is a legal requirement.



Mandatory battery recycling

NOTE: The following requirements are mandatory in Brazil.

Batteries are made of lead plates and a sulfuric acid solution. Because batteries contain heavy metals such as lead, CONAMA Resolution 401/2008 requires you to return all used batteries to the battery dealer when you replace any batteries. Do not dispose of batteries in your household garbage.

Points of sale are obliged to:

- Accept the return of your used batteries
- Store the returned batteries in a suitable location
- Send the returned batteries to the battery manufacturer for recycling

Basic instructions - Shop and assembly

Shimming

For each adjustment operation, select adjusting shims and measure the adjusting shims individually using a micrometer, then add up the recorded values. Do not rely on measuring the entire shimming set, which may be incorrect, or the rated value shown on each shim.

Rotating shaft seals

For correct rotating shaft seal installation, proceed as follows:

1. Before assembly, allow the seal to soak in the oil it will be sealing for at least thirty minutes.
2. Thoroughly clean the shaft and check that the working surface on the shaft is not damaged.
3. Position the sealing lip facing the fluid.

NOTE: *With hydrodynamic lips, take into consideration the shaft rotation direction and position the grooves so that they will move the fluid towards the inner side of the seal.*

4. Coat the sealing lip with a thin layer of lubricant (use oil rather than grease). Fill the gap between the sealing lip and the dust lip on double lip seals with grease.
5. Insert the seal in its seat and press down using a flat punch or seal installation tool. Do not tap the seal with a hammer or mallet.
6. While you insert the seal, check that the seal is perpendicular to the seat. When the seal settles, make sure that the seal makes contact with the thrust element, if required.
7. To prevent damage to the seal lip on the shaft, position a protective guard during installation operations.

O-ring seals

Lubricate the O-ring seals before you insert them in the seats. This will prevent the O-ring seals from overturning and twisting, which would jeopardize sealing efficiency.

Sealing compounds

Apply a sealing compound on the mating surfaces when specified by the procedure. Before you apply the sealing compound, prepare the surfaces as directed by the product container.

Spare parts

Only use CNH Original Parts or CASE CONSTRUCTION Original Parts.

Only genuine spare parts guarantee the same quality, duration, and safety as original parts, as they are the same parts that are assembled during standard production. Only CNH Original Parts or CASE CONSTRUCTION Original Parts can offer this guarantee.

When ordering spare parts, always provide the following information:

- Machine model (commercial name) and Product Identification Number (PIN)
- Part number of the ordered part, which can be found in the parts catalog

Protecting the electronic and/or electrical systems during charging and welding

To avoid damage to the electronic and/or electrical systems, always observe the following practices:

1. Never make or break any of the charging circuit connections when the engine is running, including the battery connections.
2. Never short any of the charging components to ground.
3. Always disconnect the ground cable from the battery before arc welding on the machine or on any machine attachment.
 - Position the welder ground clamp as close to the welding area as possible.
 - If you weld in close proximity to a computer module, then you should remove the module from the machine.
 - Never allow welding cables to lie on, near, or across any electrical wiring or electronic component while you weld.
4. Always disconnect the negative cable from the battery when charging the battery in the machine with a battery charger.

NOTICE: *If you must weld on the unit, you must disconnect the battery ground cable from the machine battery. The electronic monitoring system and charging system will be damaged if this is not done.*

5. Remove the battery ground cable. Reconnect the cable when you complete welding.

WARNING

Battery acid causes burns. Batteries contain sulfuric acid.

Avoid contact with skin, eyes or clothing. Antidote (external): Flush with water. Antidote (eyes): flush with water for 15 minutes and seek medical attention immediately. Antidote (internal): Drink large quantities of water or milk. Do not induce vomiting. Seek medical attention immediately.

Failure to comply could result in death or serious injury.

W0111A

Special tools

The special tools that CASE CONSTRUCTION suggests and illustrate in this manual have been specifically researched and designed for use with CASE CONSTRUCTION machines. The special tools are essential for reliable repair operations. The special tools are accurately built and rigorously tested to offer efficient and long-lasting operation.

By using these tools, repair personnel will benefit from:

- Operating in optimal technical conditions
- Obtaining the best results
- Saving time and effort
- Working in safe conditions

Battery - Basic instructions

⚠ WARNING

Explosive gas!

Batteries emit explosive hydrogen gas and other fumes while charging. Ventilate the charging area. Keep the battery away from sparks, open flames, and other ignition sources. Never charge a frozen battery.

Failure to comply could result in death or serious injury.

W0005A

⚠ WARNING

Hazardous chemicals!

Battery electrolyte contains sulfuric acid. Contact with skin and eyes could result in severe irritation and burns. Always wear splash-proof goggles and protective clothing (gloves and aprons). Wash hands after handling.

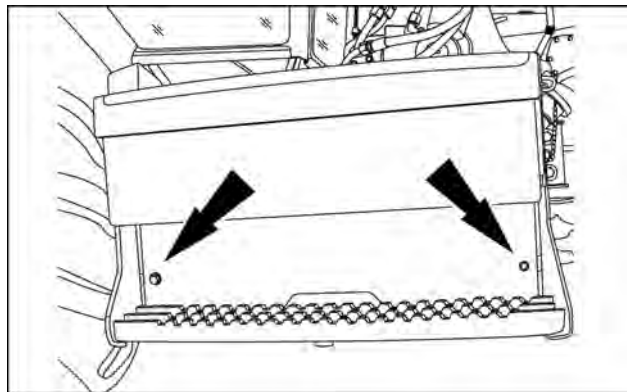
Failure to comply could result in death or serious injury.

W0006A

- Do not run the engine with the alternator wires disconnected.
- Before using an electric welder, disconnect the alternator wires, instrument cluster and batteries. Disconnect the Engine Control Unit (ECU) connectors.
- Do not use a steam cleaner or a cleaning solvent to clean the alternator.
- Keep the battery vents clean. Ensure the battery vents are not restricted.

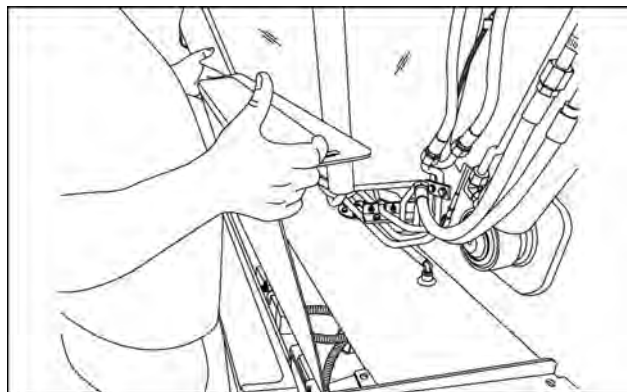
Disconnect battery

1. Remove the battery cover hardware.



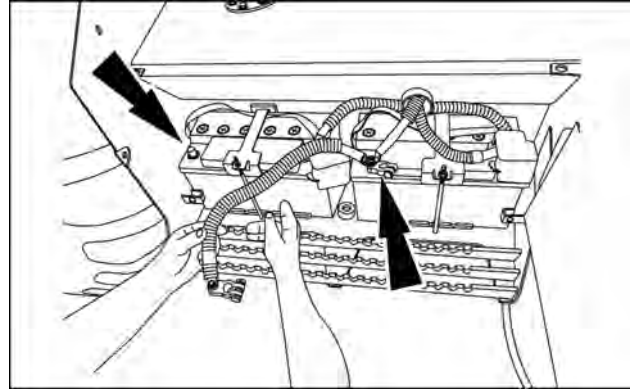
RCPH11TLB001AAM 1

2. Remove the battery cover.



RCPH11TLB002AAM 2

3. Disconnect the negative battery cable from the negative battery terminal.



RCPH11TLB003AAM 3

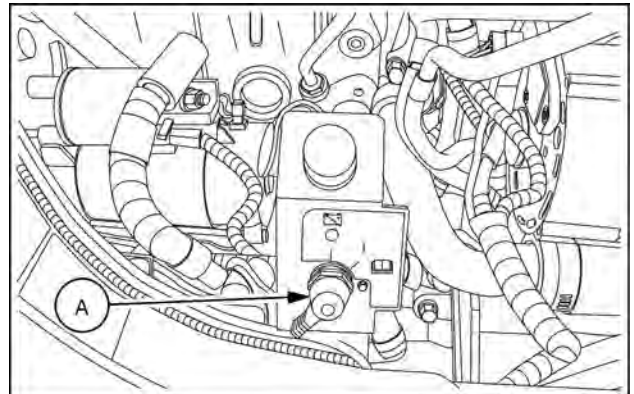
Master disconnect switch (if equipped)

Enable or disable electrical power from the machine batteries to the electrical components using the master disconnect switch, located on the right hand side of the engine.

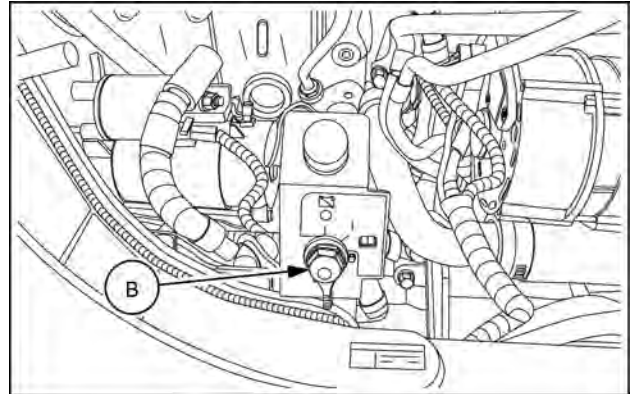
- **(A)** – Connect the battery power
- **(B)** – Disconnect the battery power

NOTICE: Wait at least 60 seconds after ignition key is placed in the OFF position before turning master disconnect switch to OFF. This allows the machine controllers to shutdown properly.

NOTICE: Some machine service procedures require an actual terminal disconnect of the batteries. Do not use the master disconnect for those types of procedures, such as welding on the machine.



RAIL14TLB0409AA 4



RAIL14TLB0410AA 5

Basic instructions – Support strut for loader lift arm

⚠ WARNING

Crushing hazard!

If you service the machine with the loader lift arms raised, always use the support strut. Remove the retaining pin and place the support strut onto the cylinder rod. Install the retaining pin into the support strut. Lower the lift arms onto the support strut.

Failure to comply could result in death or serious injury.

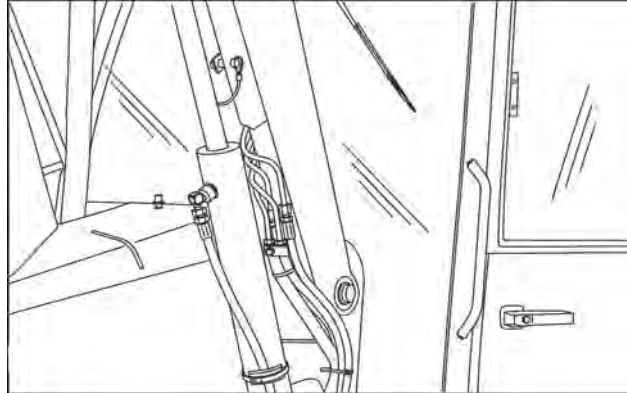
W0230A

Raise and support loader lift arms:

1. Empty the loader bucket.
2. Raise the loader lift arms to the maximum height.
3. Shut down the engine.

4. Remove the retaining pin.
5. Lower the support strut onto the cylinder rod.
6. Install the retaining pin.

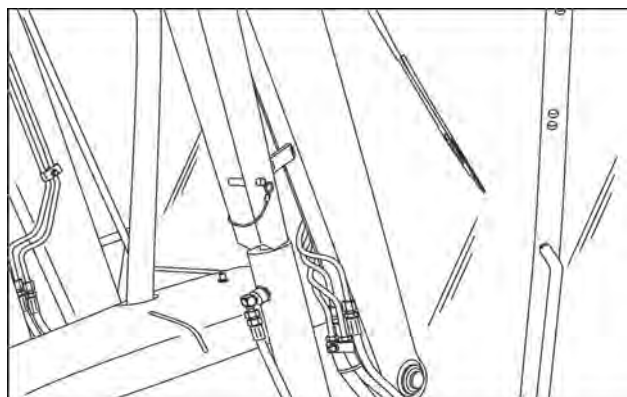
7. Start the engine.
8. Slowly lower the lift arms so that the end of the support strut rests on the cylinder.



RCPH10TLB230AAF 1



RCPH10TLB221AAF 2

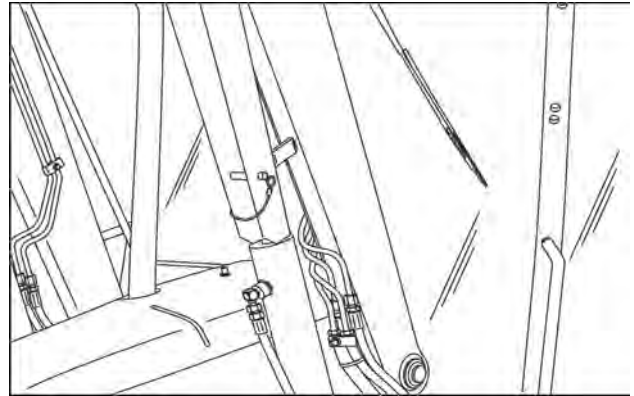


RCPH10TLB227AAF 3

INTRODUCTION

Lower supported loader lift arms:

1. Raise the lift arms so that the end of the support strut no longer rests on the cylinder.
2. Shut down the engine.



RCPH10TLB227AAF 4

3. Remove the retaining pin from the support strut.
4. Raise the support strut up to the storage position and secure with the retaining pin, as shown.



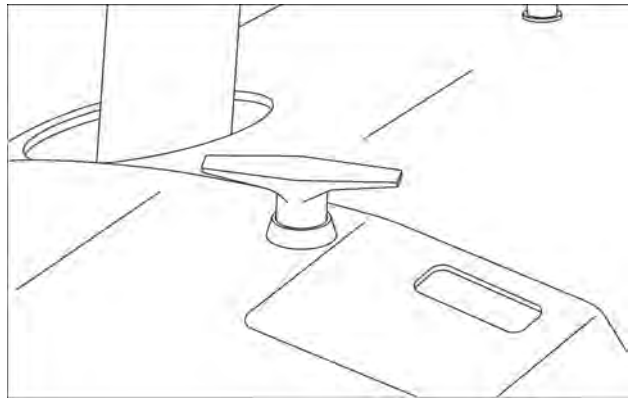
RCPH10TLB231AAF 5

5. Start the engine.
6. Lower the loader to the ground.

Basic instructions Hood

Open the hood:

1. Shut down the engine.
2. Turn the handle counter-clockwise to release the hood latch.



RCPH10TLB166AAF 1

3. Lift the hood and rotate forward.

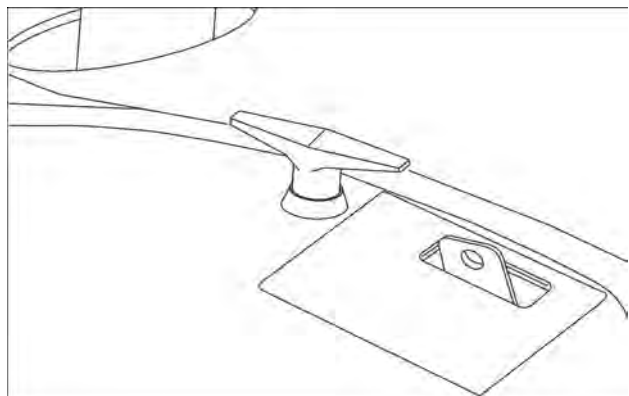


RCPH10TLB356AAF 2

NOTICE: To avoid damage to the hood parts, always close the hood before moving the loader.

Close the hood:

1. Lower the hood.
2. Turn the handle clockwise to lock the hood latch.



RCPH10TLB167AAF 3