

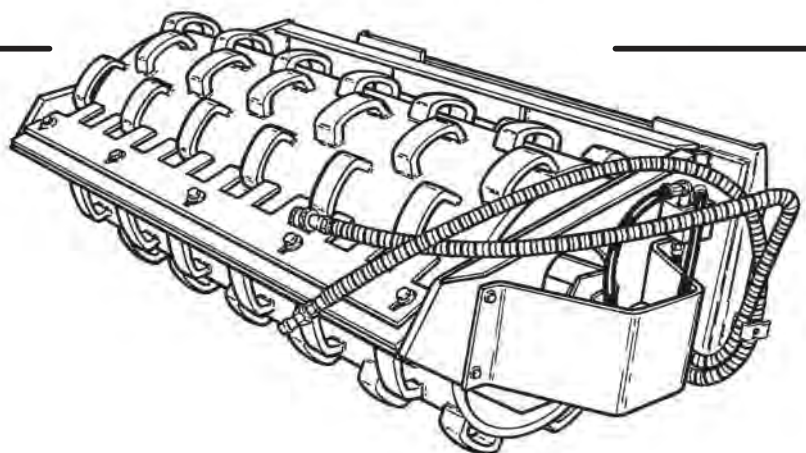


**Bobcat®**

## Vibratory Roller

# Service Manual

48 inch S/N 802900101 & Above  
48 inch S/N 803400101 & Above  
48 inch S/N 054800101 & Above  
48 inch S/N 063100101 & Above  
72 inch S/N 054900101 & Above  
72 inch S/N 063200101 & Above



Printed in U.S.A.



# MAINTENANCE SAFETY



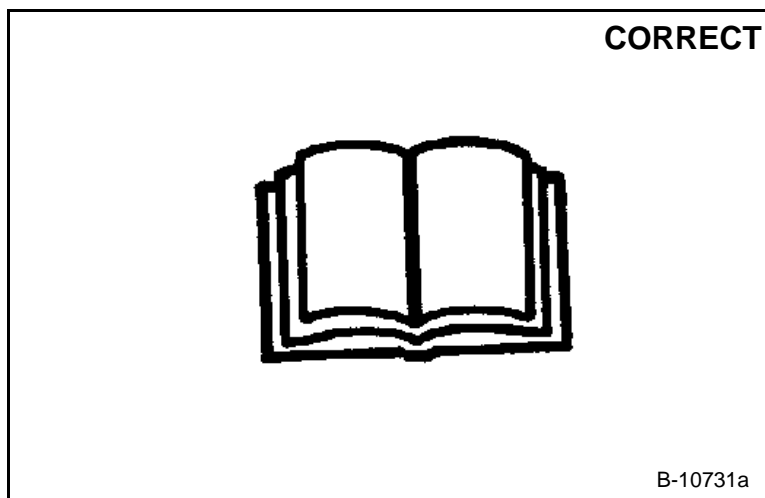
## WARNING









Instructions are necessary before operating or servicing machine. Read and understand the Operation & Maintenance Manual, Operator's Handbook and signs (decals) on machine. Follow warnings and instructions in the manuals when making repairs, adjustments or servicing. Check for correct function after adjustments, repairs or service. Untrained operators and failure to follow instructions can cause injury or death.

W-2003-0903



**Safety Alert Symbol:** This symbol with a warning statement, means: "Warning, be alert! Your safety is involved!" Carefully read the message that follows.



-  Never service attachments without instructions. See Operation & Maintenance Manual and Attachment Service Manual.
-  Cleaning and maintenance are required daily.
-  Never service or adjust attachment with the engine running unless instructed to do so in manual.
-  Always lower the attachment to the ground before lubricating or servicing.
-  Avoid contact with leaking hydraulic fluid or diesel fuel under pressure. It can penetrate skin or eyes.
-  Stop, cool and clean engine of flammable materials before checking fluids.
-  Keep body, loose objects and clothing away from moving parts, electrical contacts, hot parts and exhaust.
-  Safety glasses are needed for eye protection from electrical arcs, battery acid, compressed springs, fluids under pressure and flying debris or when tools are used. Use eye protection approved for type of welding.



**Bobcat®**

## ALPHABETICAL INDEX

FLEXIBLE ELEMENT .....	30-01
GLOSSARY OF HYDRAULIC SYMBOLS FOR ATTACHMENTS .....	40-01
HYDRAULIC CUSHION VALVE .....	20-01
HYDRAULIC MOTOR .....	20-01
HYDRAULIC SCHEMATIC .....	40-01
INSPECTION .....	10-01
ISOLATOR PLATE .....	30-01
LUBRICATION .....	10-01
PADDED ROLLER DRUM .....	30-01
PARTS IDENTIFICATION .....	10-01
ROLLER DRUM .....	30-01
SMOOTH ROLLER DUM .....	30-01
SMOOTH ROLLER DRUM COVER .....	30-01
SPECIFICATIONS .....	40-01
TROUBLESHOOTING .....	10-01



**Bobcat®**

# CONTENTS

SERIAL NUMBER LOCATION .....	iii
IDENTIFICATION .....	iv
PREVENTIVE MAINTENANCE .....	10-10-1
HYDRAULIC SYSTEM .....	20-10-1
MAIN FRAME .....	30-10-1
SPECIFICATIONS AND SCHEMATICS .....	40-10-1

**PREVENTIVE  
MAINTENANCE**

**HYDRAULIC  
SYSTEM**

**MAIN FRAME**

**SPECIFICATIONS  
AND  
SCHEMATICS**

**CALIFORNIA  
PROPOSITION 65 WARNING**

Diesel engine exhaust and some of its constituents are known to the State of California to cause cancer, birth defects and other reproductive harm.



**Bobcat**®

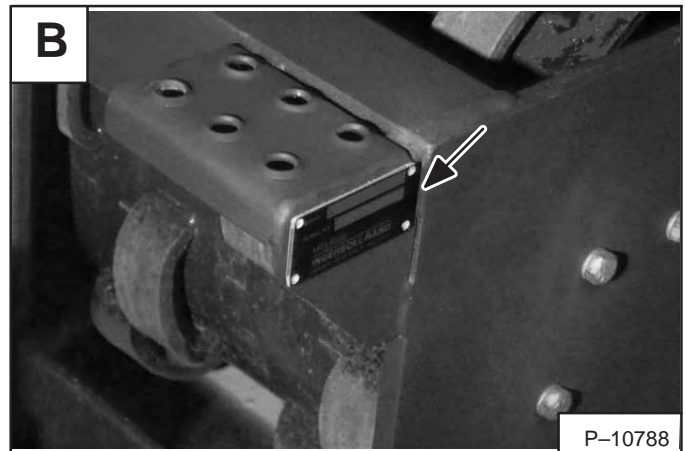
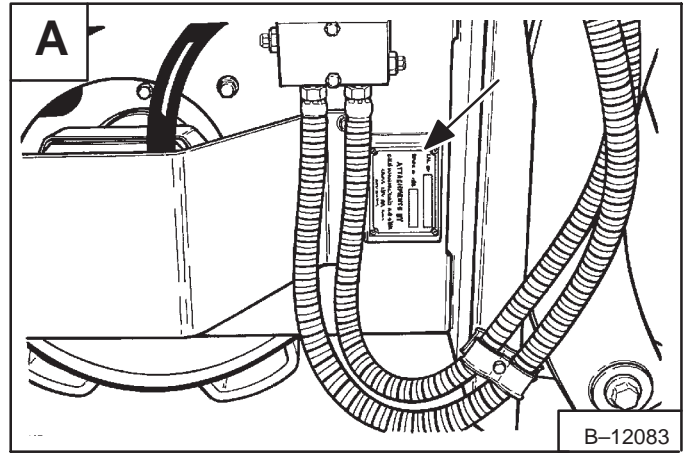


## SERIAL NUMBER LOCATION

It is important to refer to the serial number of the Vibratory Roller when making repairs or ordering parts [A]. Early or later models (identification made by serial number) may use different parts, or it may be necessary to use a different procedure in doing specific service work.

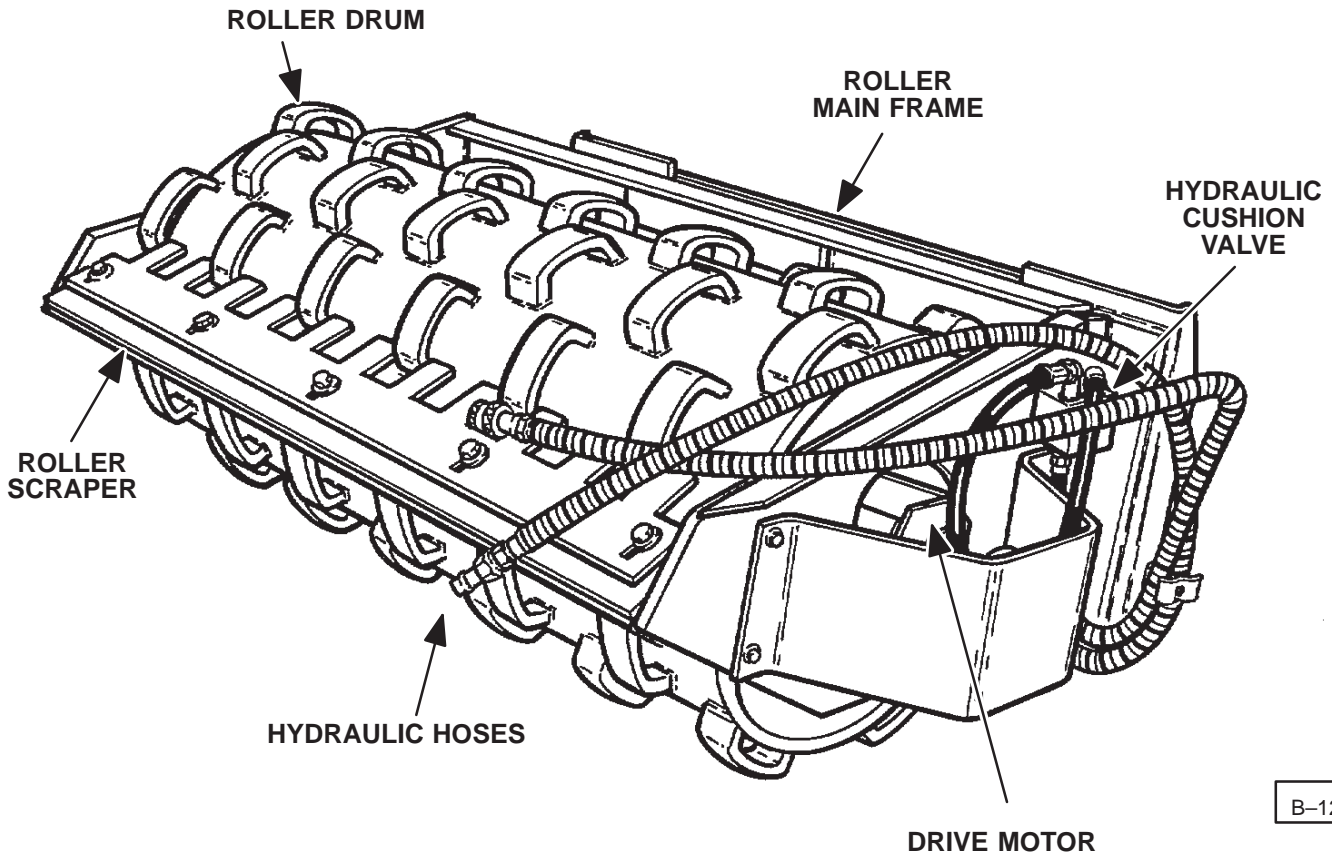
**48 Inch:** The Vibratory Roller serial number plate is located below the cushion valve toward the rear of the Vibratory Roller [A].

**72 Inch:** The Vibratory Roller serial number plate is located on the step on the right end of the frame [B].



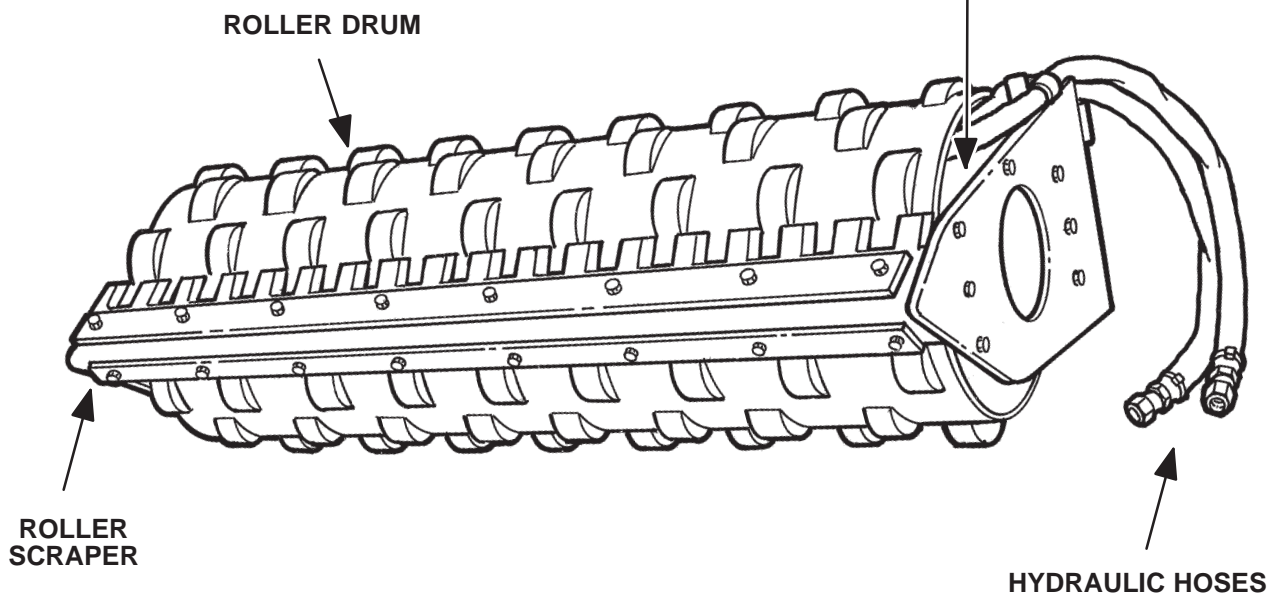
VIBRATORY ROLLER IDENTIFICATION

48 Inch



B-12089

72 Inch



B-15069

# PREVENTIVE MAINTENANCE



	<b>Page Number</b>
INSPECTION	
Bob-Tach Inspection .....	10-10-2
LUBRICATION .....	10-10-3
PARTS IDENTIFICATION	
48 Inch .....	10-10-4
72 Inch .....	10-10-5
TROUBLESHOOTING .....	10-10-1



**Bobcat®**

## TROUBLESHOOTING

### **WARNING**

Instructions are necessary before operating or servicing machine. Read and understand the Operation & Maintenance Manual, Handbook and signs (decals) on machine. Follow warnings and instructions in the manuals when making repairs, adjustments or servicing. Check for correct function after adjustments, repairs or service. Failure to follow instructions can cause injury or death.

W-2003-1298

If the Vibratory Roller is not working correctly, check the hydraulic system of the machine thoroughly before making any repairs on the roller. Vibratory Roller problems can be affected by a hydraulic system that is not operating to specifications. Connect a flow meter to the loader to check the hydraulic pump output, relief valve setting and tubelines to check flow and pressure. (See the loader Service Manual for the correct procedure to connect the flow meter.)

Use the following troubleshooting chart to locate and correct problems which most often occur with the Vibratory Roller.

PROBLEM	CAUSE	CORRECTION
Vibratory Roller Shaft will not rotate.	Loader fluid reservoir is low.	Add fluid to reservoir on loader.
	No fluid to the Vibratory Roller.	Check connections and flow to roller.
	Damaged quick couplers.	Replace quick couplers.
	Coupler flexible element is broken or torn.	Replace the flexible element.
	Coupler key has sheared.	Replace the key.
	Loader main relief valve set too low.	Adjust main relief to correct setting.
	Loader hydraulic pump not working.	Repair or replace as needed.
Vibratory Roller shaft rotates slowly.	Relief valve in hydraulic cushion is not functioning.	Adjust or replace relief valve.
	Not enough hydraulic flow.	Test loader hydraulics for flow and pressure.

## INSPECTION

### Bob-Tach Inspection

Move the Bob-Tach levers to engage the wedges [A]. The levers and wedges must move freely.

The wedges must extend through the holes in the attachment mounting frame (Item 1) [B] & [C].



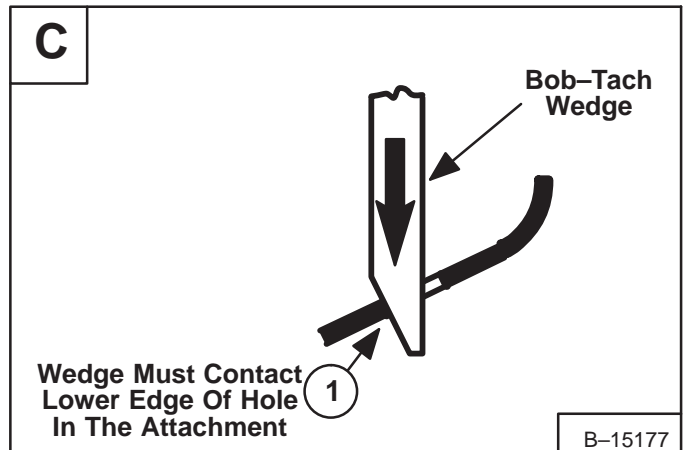
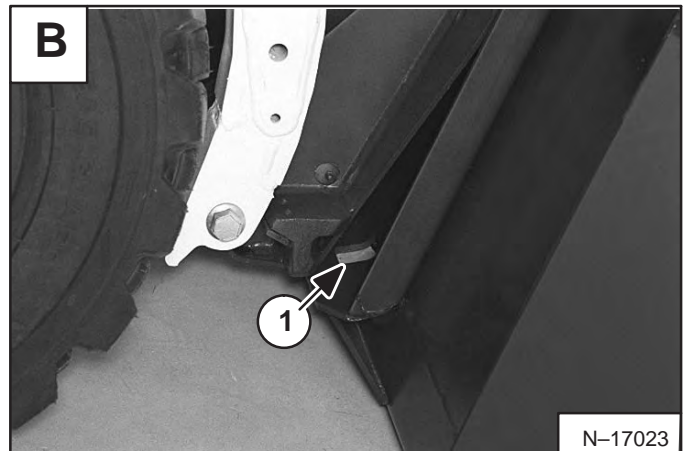
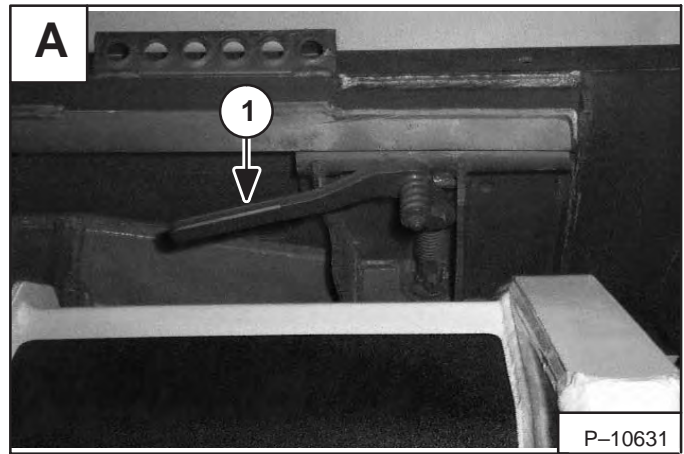
## WARNING

Bob-Tach wedges must extend through the holes in attachment. Lever(s) must be fully down and locked. Failure to secure wedges can allow attachment to come off and cause injury or death.

W-2102-0497

The spring loaded wedge (Item 1) [A] must contact the lower edge of the hole in the attachment (Item 1) [B] and [C].

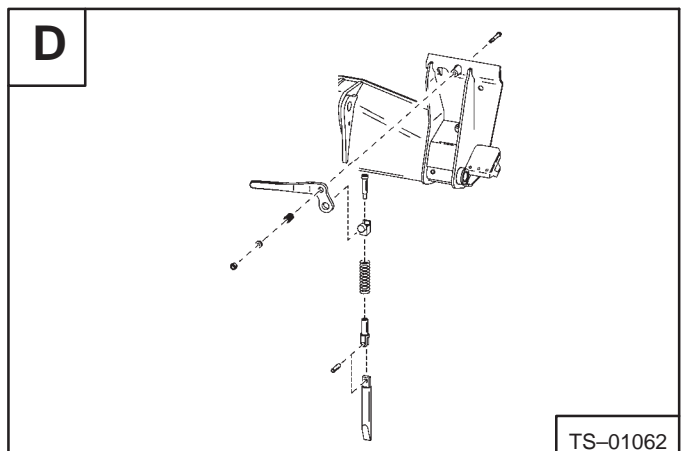
If the wedge does not contact the lower edge of the hole [B] and [C], the attachment will be loose and can come off the Bob-Tach.



Inspect the mounting frame on the attachment and the Bob-Tach, linkages and wedges for excessive wear or damage [D]. Replace any parts that are damaged, bent, or missing. Keep all fasteners tight.

Look for cracked welds. Contact your Bobcat dealer for repair or replacement parts.

Lubricate the wedges. (See the correct loader Operation And Maintenance Manual for *LUBRICATION OF THE BOBCAT LOADER*.)



## LUBRICATION

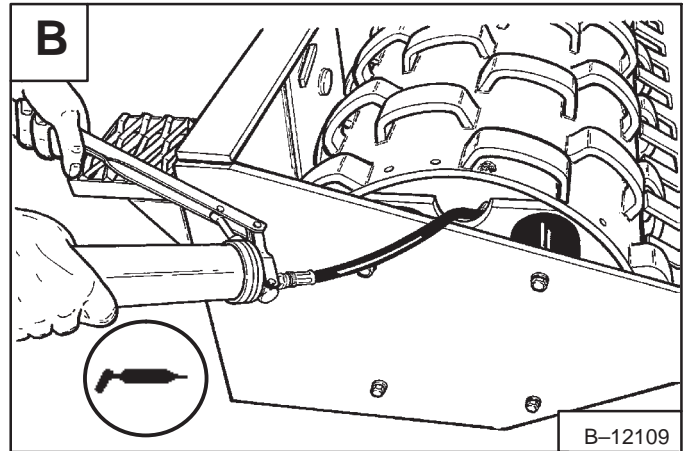
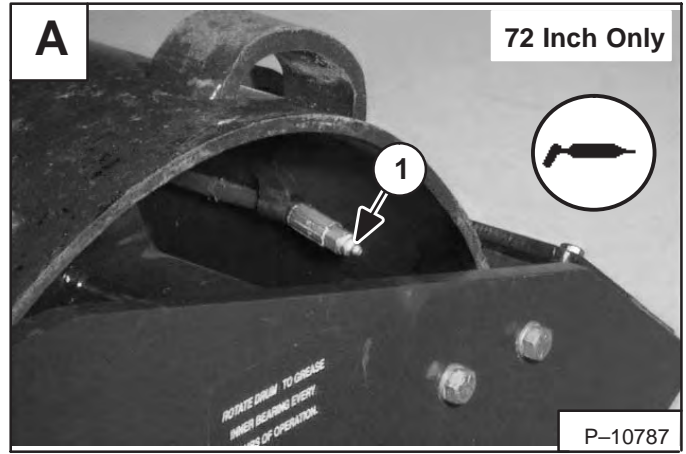
Always use a good quality lithium based multi-purpose grease when lubricating the Vibratory Roller.

# IMPORTANT

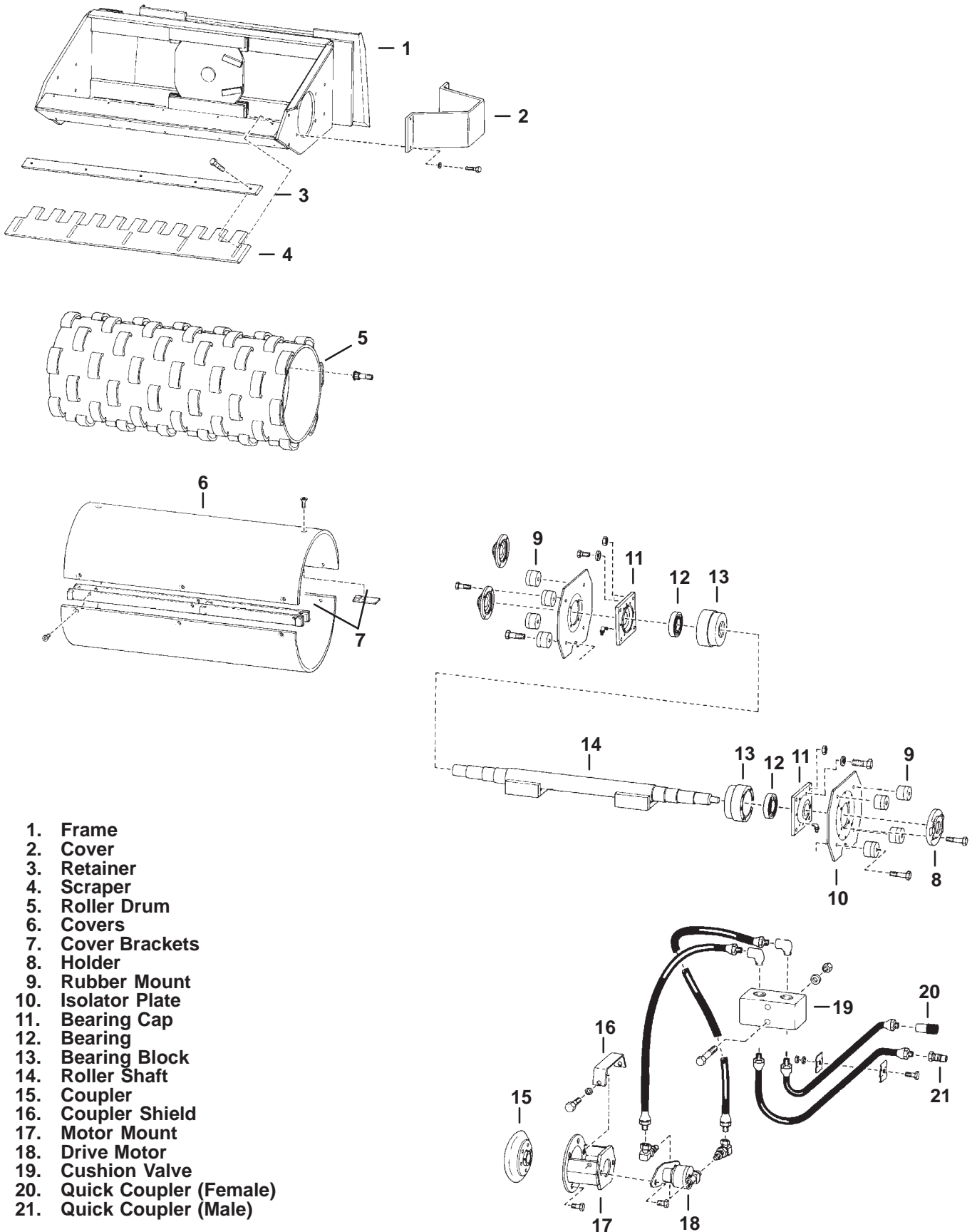
Fluid such as engine oil, hydraulic fluid, coolants, grease, etc. must be disposed of in an environmentally safe manner. Some regulations require that certain spills and leaks on the ground must be cleaned in a specific manner. See local, state and federal regulations for the correct disposal.

I-2067-0499

Apply grease (4 or 5 pumps) to the shaft bearings (Item 1) [A] & [B] EVERY 8-10 HOURS.



**PARTS IDENTIFICATION**  
48 Inch

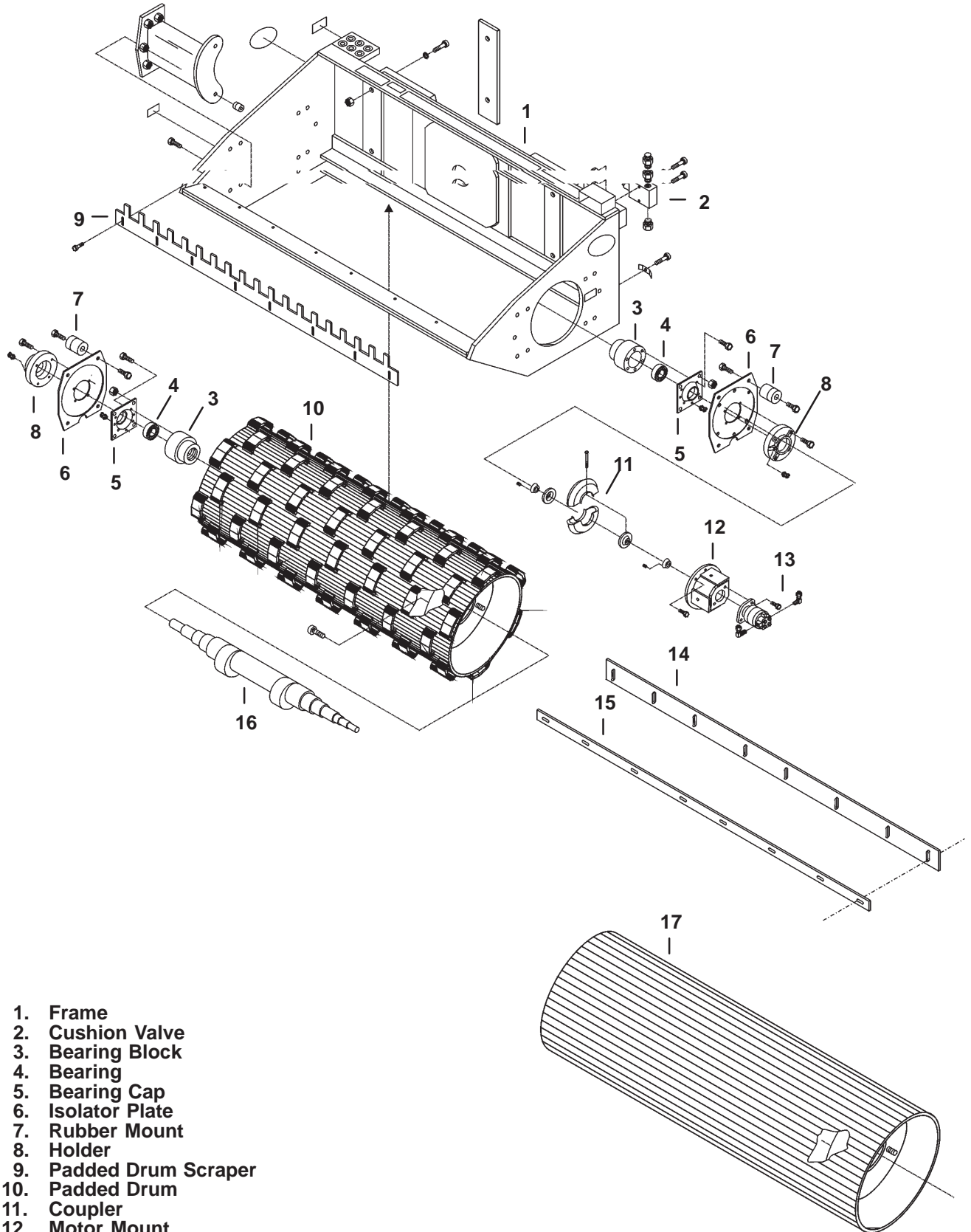


1. Frame
2. Cover
3. Retainer
4. Scraper
5. Roller Drum
6. Covers
7. Cover Brackets
8. Holder
9. Rubber Mount
10. Isolator Plate
11. Bearing Cap
12. Bearing
13. Bearing Block
14. Roller Shaft
15. Coupler
16. Coupler Shield
17. Motor Mount
18. Drive Motor
19. Cushion Valve
20. Quick Coupler (Female)
21. Quick Coupler (Male)

E-01845  
E-01846



**PARTS IDENTIFICATION (Cont'd)**  
**72 Inch**



- 1. Frame
- 2. Cushion Valve
- 3. Bearing Block
- 4. Bearing
- 5. Bearing Cap
- 6. Isolator Plate
- 7. Rubber Mount
- 8. Holder
- 9. Padded Drum Scraper
- 10. Padded Drum
- 11. Coupler
- 12. Motor Mount
- 13. Drive Motor
- 14. Smooth Drum Scraper
- 15. Smooth Drum Scraper Holder
- 16. Roller Shaft
- 17. Smooth Drum

MC-02388



**Bobcat®**

**Dear**

**Thanks very much for your visiting and  
patience.**

**Want to get more information,**

**Please click here, Go back to the page.**

**After your payment, you will have instant access to  
your download.**

**The Download Link will also be sent to your e-mail.**

**You will get the complete manual**

**Have any questions**

**please write to me**

**[admin@servicemanualperfect.com](mailto:admin@servicemanualperfect.com)**