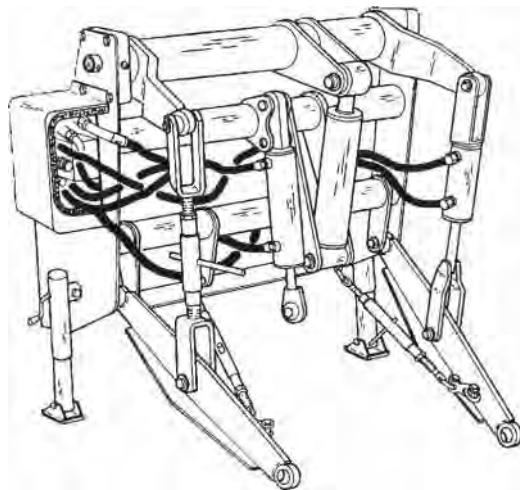


**THREE POINT
HITCH**



Bobcat®

**Service
Manual**



MAINTENANCE SAFETY



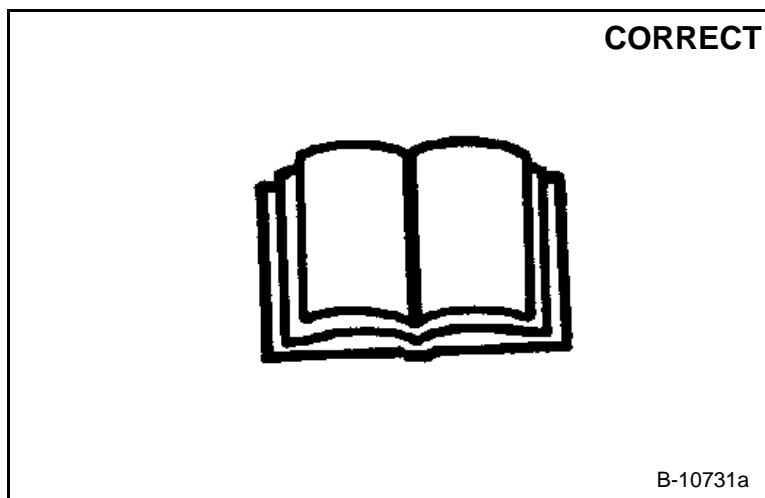
WARNING









Instructions are necessary before operating or servicing machine. Read and understand the Operation & Maintenance Manual, Operator's Handbook and signs (decals) on machine. Follow warnings and instructions in the manuals when making repairs, adjustments or servicing. Check for correct function after adjustments, repairs or service. Untrained operators and failure to follow instructions can cause injury or death.

W-2003-0903



Safety Alert Symbol: This symbol with a warning statement, means: "Warning, be alert! Your safety is involved!" Carefully read the message that follows.



-  Never service attachments without instructions. See Operation & Maintenance Manual and Attachment Service Manual.
-  Cleaning and maintenance are required daily.
-  Never service or adjust attachment with the engine running unless instructed to do so in manual.
-  Always lower the attachment to the ground before lubricating or servicing.
-  Avoid contact with leaking hydraulic fluid or diesel fuel under pressure. It can penetrate skin or eyes.
-  Stop, cool and clean engine of flammable materials before checking fluids.
-  Keep body, loose objects and clothing away from moving parts, electrical contacts, hot parts and exhaust.
-  Safety glasses are needed for eye protection from electrical arcs, battery acid, compressed springs, fluids under pressure and flying debris or when tools are used. Use eye protection approved for type of welding.



Bobcat®

ALPHABETICAL INDEX

ELECTRICAL SCHEMATIC	40-01
GLOSSARY OF HYDRAULIC SYMBOLS	40-01
HYDRAULIC CONTROL VALVE	20-01
HYDRAULIC CYLINDER	20-01
HYDRAULIC SCHEMATIC	40-01
INSPECTION	10-01
LUBRICATION	10-01
PARTS IDENTIFICATION	v
SERIAL NUMBER LOCATION	iii
SPECIFICATIONS	40-01
THREE POINT HITCH	30-01



Bobcat®

CONTENTS

SERIAL NUMBER LOCATION	iii
PARTS IDENTIFICATION	v
SAFETY AND MAINTENANCE	10-01
HYDRAULIC SYSTEM	20-01
MAIN FRAME	30-01
SPECIFICATIONS AND SCHEMATICS	40-01

**SAFETY AND
MAINTENANCE**

**HYDRAULIC
SYSTEM**

**MAIN
FRAME**

**SPECIFICATIONS
AND
SCHEMATICS**

**CALIFORNIA
PROPOSITION 65 WARNING**

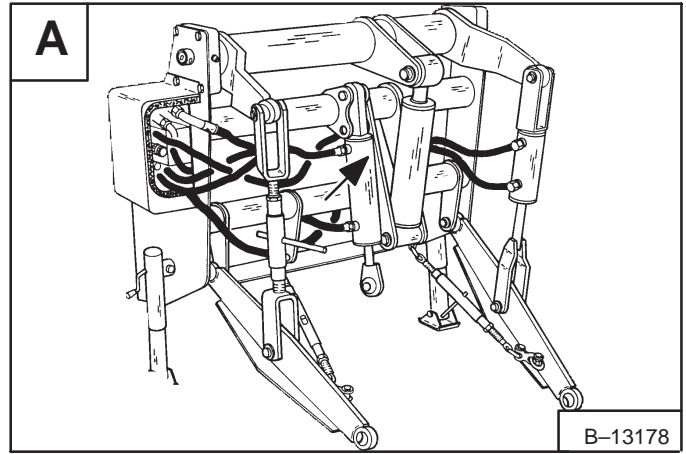
Diesel engine exhaust and some of its constituents are known to the State of California to cause cancer, birth defects and other reproductive harm.



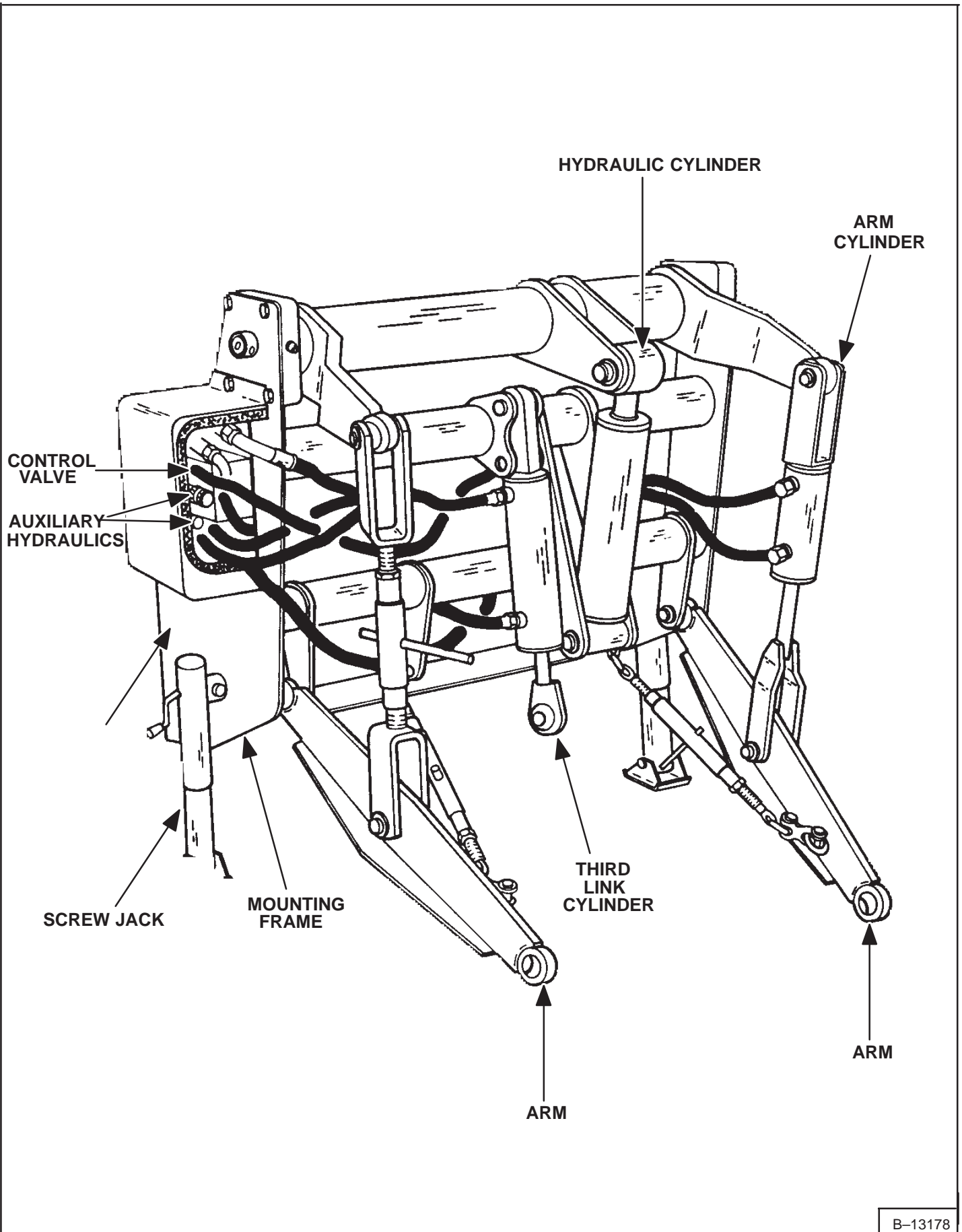
Bobcat®

SERIAL NUMBER LOCATION

Always use the serial number of the attachment when requesting service information or when ordering parts. Early or later models (identification made by serial number) may use different parts, or it may be necessary to use a different procedure in doing a specific service operation [A].



PARTS IDENTIFICATION



B-13178

SAFETY AND MAINTENANCE

INSPECTION

Daily Inspection 10-10-2

LUBRICATION

Lubrication Points 10-10-1

**SAFETY AND
MAINTENANCE**



Bobcat®

LUBRICATION

Lubrication Points

! **WARNING**

AVOID INJURY OR DEATH

Always lower the attachment on the Three-Point Hitch to the ground before lubricating or servicing.

Always use a good quality lithium base grease when lubricating the 3-point hitch. Apply the lubricant until extra grease shows.

IMPORTANT

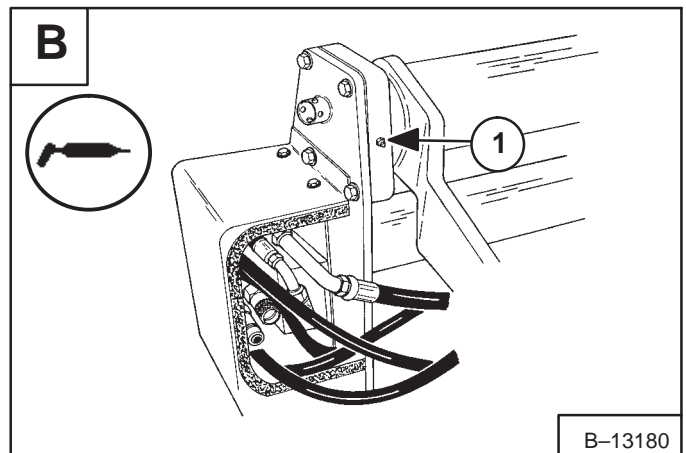
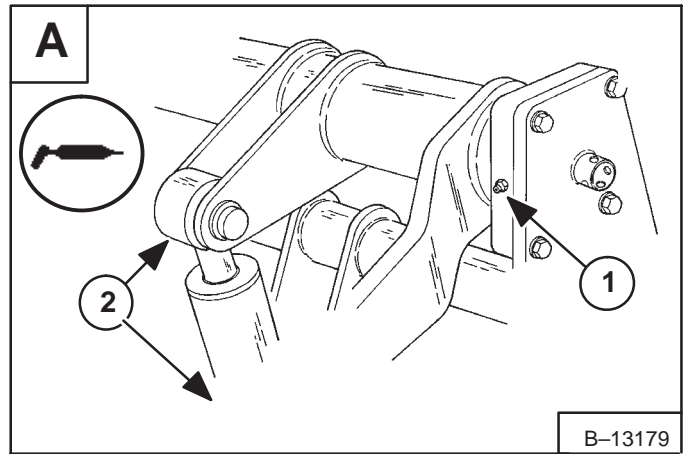
Fluid such as engine oil, hydraulic fluid, coolants, grease, etc. must be disposed of in an environmentally safe manner. Some regulations require that certain spills and leaks on the ground must be cleaned in a specific manner. See local, state and federal regulations for the correct disposal.

I-2067-0499

Lubricate the following fittings every eight hours of operation.

Rockshaft mount blocks (Item 1) [A] & [B].

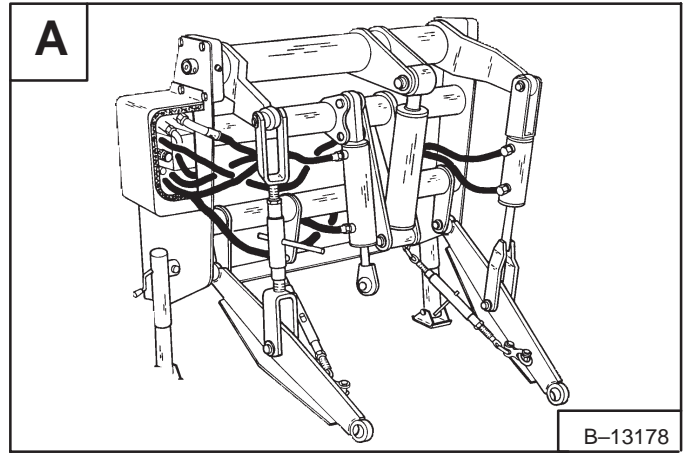
Lift cylinder base and rod end (Item 2) [A].



INSPECTION

Daily Inspection

Inspect the mounting frame **[A]** and linkages for excessive wear, damage or cracked welds. Replace any parts, including decals, that are damaged, bent or missing. Keep all fasteners tight.



HYDRAULIC SYSTEM

PAGE NUMBER

HYDRAULIC CONTROL VALVE

Disassembly And Assembly	20-20-3
Parts Identification	20-20-2
Removal And Installation	20-20-1

HYDRAULIC CYLINDER

Arm Cylinder Checking	20-10-1
Arm Cylinder Removal And Installation	20-10-2
Assembly	20-10-12
Disassembly	20-10-10
Lift Cylinder Checking	20-10-4
Lift Cylinder Removal And Installation	20-10-5
Parts Identification	20-10-9
Third Link Cylinder Checking	20-10-7
Third Link Cylinder Removal And Installation	20-10-8

HYDRAULIC SYSTEM



Bobcat®

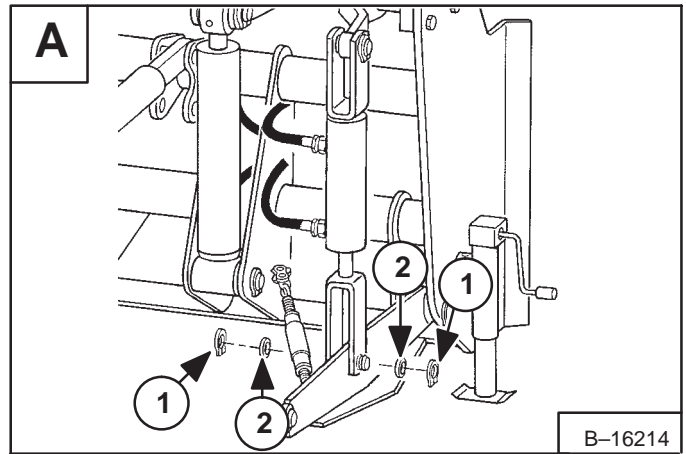
HYDRAULIC CYLINDER

Arm Cylinder Checking

Place the attachment on the work surface.

Stop the engine, relieve hydraulic pressure, remove the seat belt and exit the loader.

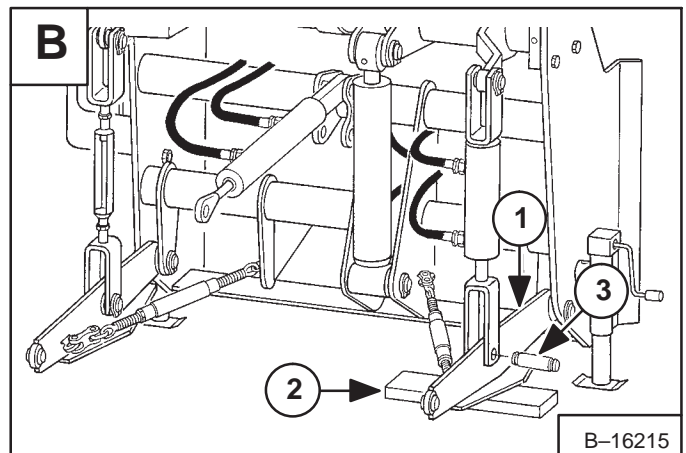
Remove the two snap rings (Item 1) [A] and washers (Item 2) [A] from the pin on the rod end of the arm cylinder.



Support the arm (Item 1) [B] with a wood block (Item 2) [B] and remove the pin (Item 3) [B].

Fasten the seat belt, start the loader and retract the arm cylinder.

Stop the engine, relieve hydraulic pressure, remove the seat belt and exit the loader.



WARNING

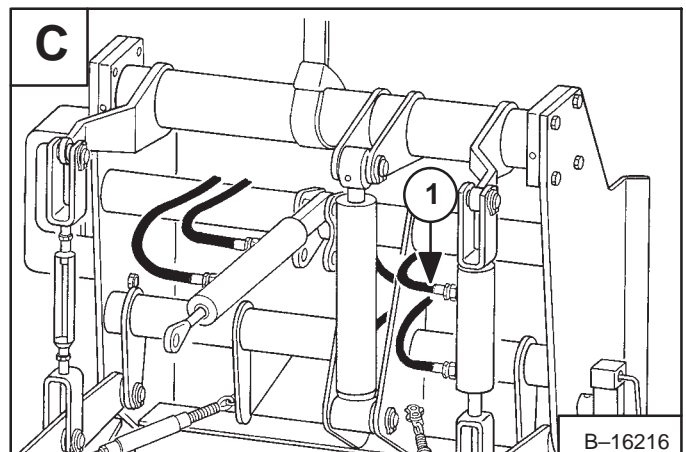
Hydraulic fluid escaping under pressure can have sufficient force to enter a person's body by penetrating the skin. This can cause serious injury and possibly death if proper medical treatment by a physician familiar with this injury is not received immediately.

W-2145-0290

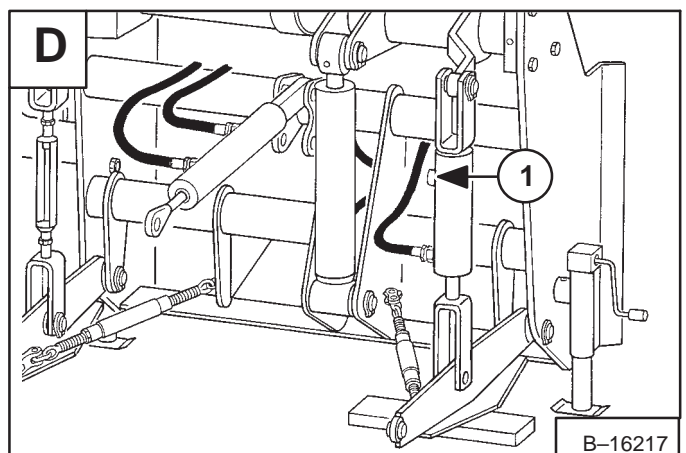
Remove the hose (Item 1) [C] from the base end of the cylinder.

Install a plug on the hose and tighten.

Fasten the seat belt, start the engine and retract the cylinder.



If there is any leakage from the base end fitting (Item 1) [D] of the cylinder, remove the cylinder for repair or replacement.



HYDRAULIC CYLINDER (Cont'd)

Arm Cylinder Removal And Installation

! WARNING

Hydraulic fluid escaping under pressure can have sufficient force to enter a person's body by penetrating the skin. This can cause serious injury and possibly death if proper medical treatment by a physician familiar with this injury is not received immediately.

W-2145-0290

IMPORTANT

When making repairs on hydraulic system, clean the work area before disassemble and keep all parts clean. Always use caps and plugs on hoses, tubelines and ports to keep dirt out. Dirt can quickly damage the system.

I-2056-0793

Place the attachment on the work surface.

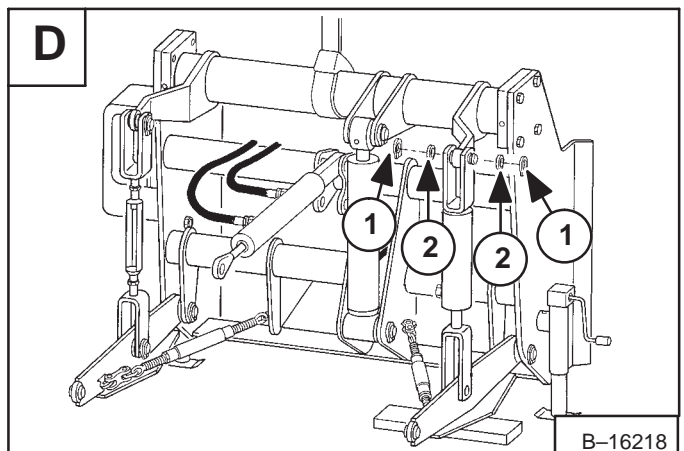
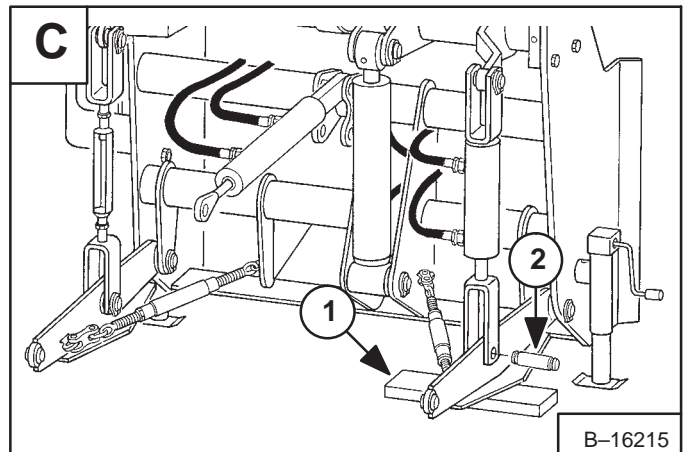
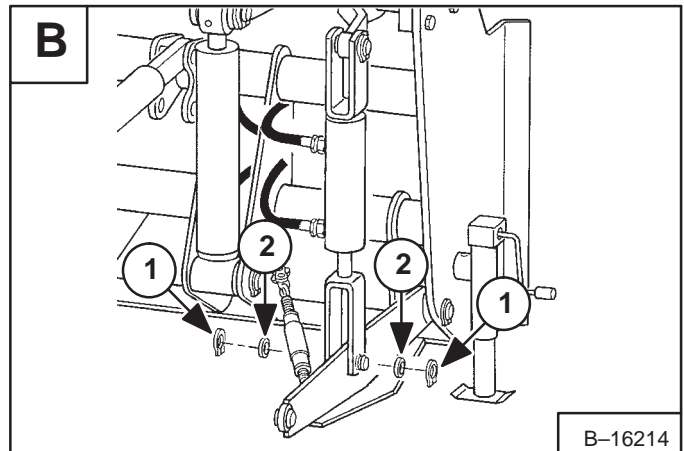
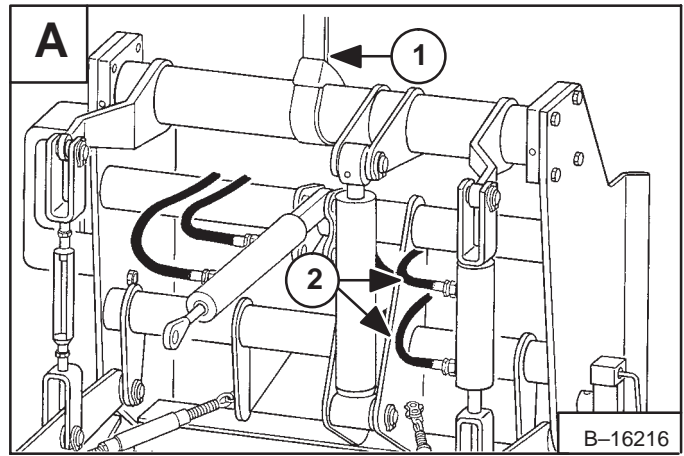
Install a hoist (Item 1) [A].

Remove the hoses (Item 2) [A]. Install caps and plugs.

Remove the two snap rings (Item 1) [B] and washers (Item 2) [B].

Support the arm (Item 1) [C] and remove the pin (Item 2) [C].

Remove the two snap rings (Item 1) [D] and washers (Item 2) [D].



Dear

**Thanks very much for your visiting and
patience.**

Want to get more information,

Please click here, Go back to the page.

**After your payment, you will have instant access to
your download.**

The Download Link will also be sent to your e-mail.

You will get the complete manual

Have any questions

please write to me

admin@servicemanualperfect.com