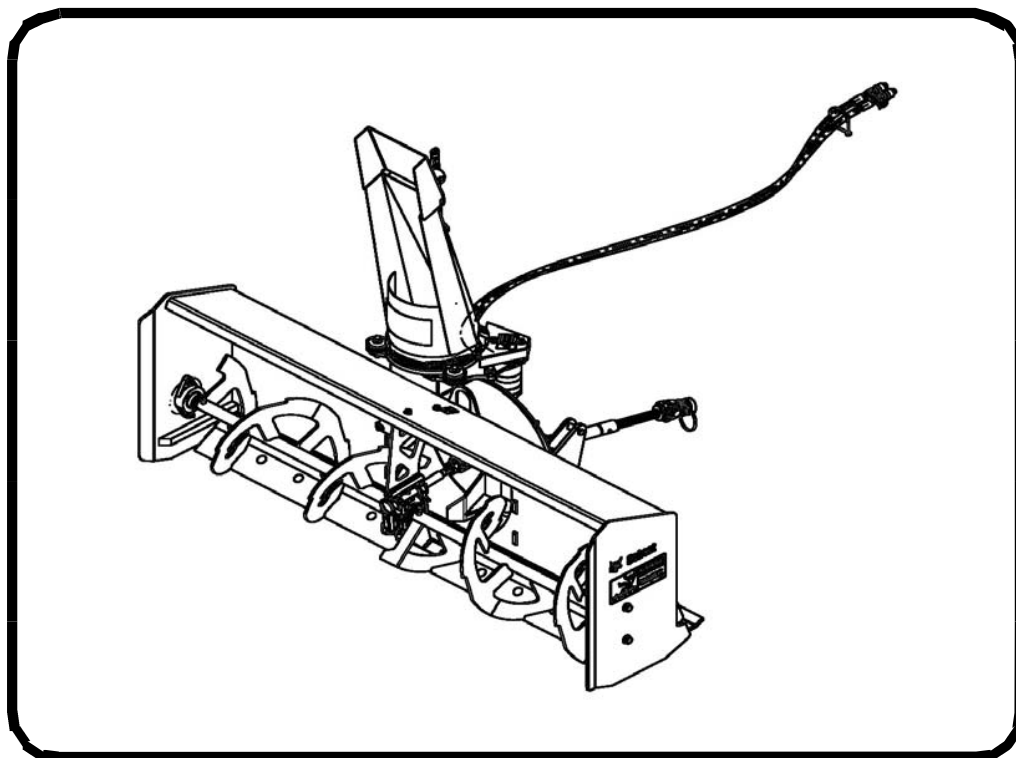




Service Manual

Front Compact Tractor Snowblower

(FCTSB72) S/N AJGY00101 & Above



MAINTENANCE SAFETY



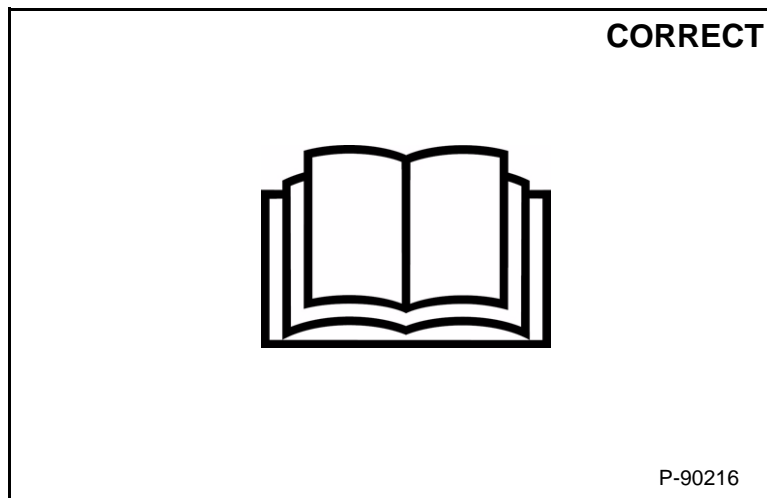
WARNING









Instructions are necessary before operating or servicing machine. Read and understand the Operation & Maintenance Manual, Operator's Handbook and signs (decals) on machine. Follow warnings and instructions in the manuals when making repairs, adjustments or servicing. Check for correct function after adjustments, repairs or service. Untrained operators and failure to follow instructions can cause injury or death.

W-2003-0807



Safety Alert Symbol: This symbol with a warning statement, means: "Warning, be alert! Your safety is involved!" Carefully read the message that follows.



-  Never service attachments / implements without instructions. See Operation & Maintenance Manual and Attachment / Implement Service Manual.
-  Cleaning and maintenance are required daily.
-  Never service or adjust attachment / implement with the engine running unless instructed to do so in manual.
-  Always lower the attachment / implement to the ground before lubricating or servicing.
-  Avoid contact with leaking hydraulic fluid or diesel fuel under pressure. It can penetrate skin or eyes.
-  Stop, cool and clean engine of flammable materials before checking fluids.
-  Keep body, loose objects and clothing away from moving parts, electrical contacts, hot parts and exhaust.
-  Safety glasses are needed for eye protection from electrical arcs, battery acid, compressed springs, fluids under pressure and flying debris or when tools are used. Use eye protection approved for type of welding.

MSW30-0409



CONTENTS

SAFETY & MAINTENANCE	10-01
HYDRAULIC SYSTEM	20-01
MAINFRAME	30-01
SPECIFICATIONS	SPEC-01
ALPHABETICAL INDEX	INDEX-01



Bobcat®

FOREWORD

SERIAL NUMBER LOCATION	1-7
Implement Serial Number	1-7
DELIVERY REPORT	1-7
IMPLEMENT IDENTIFICATION	1-8

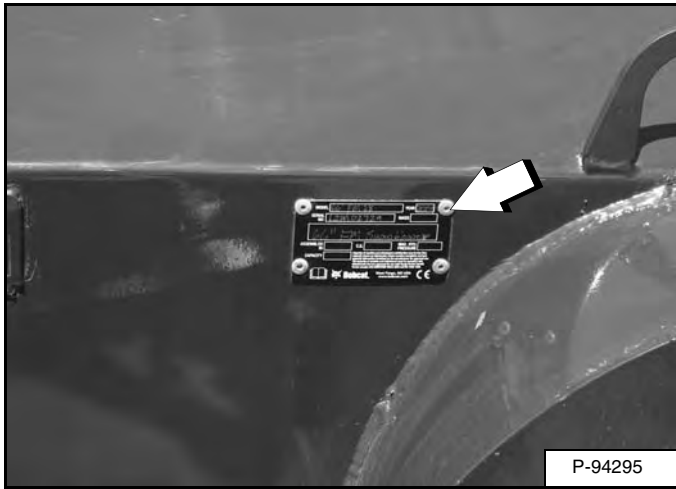


Bobcat®

SERIAL NUMBER LOCATION

Implement Serial Number

Figure 1



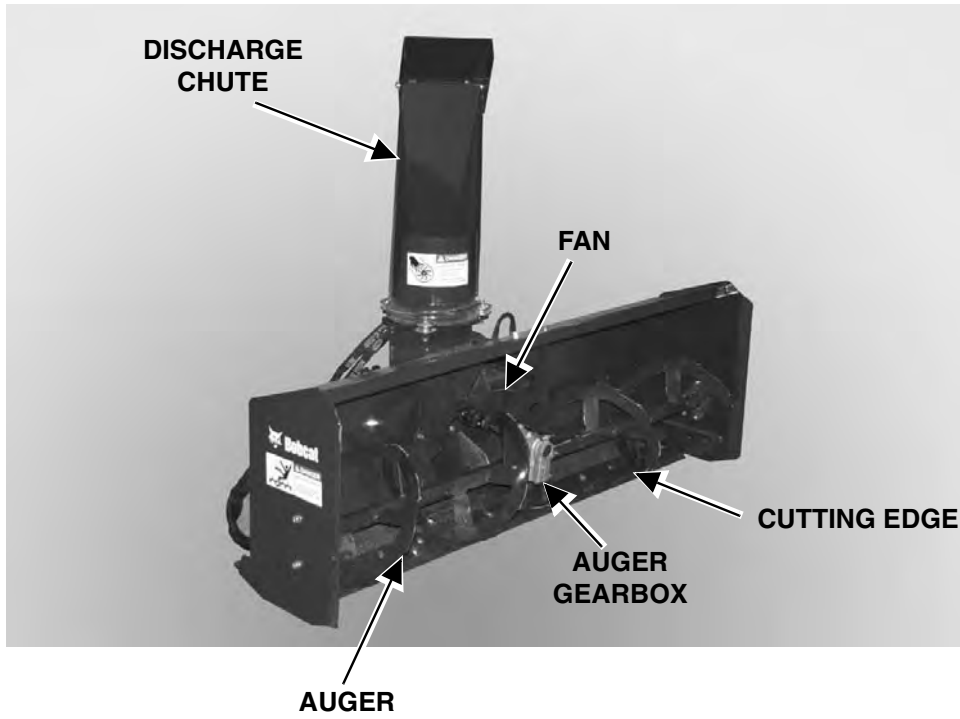
Always use the serial number of the front mount snowblower when requesting service information or when ordering parts. Early or later models (identification made by serial number) may use different parts, or it may be necessary to use a different procedure in doing a specific service operation [Figure 1].

DELIVERY REPORT

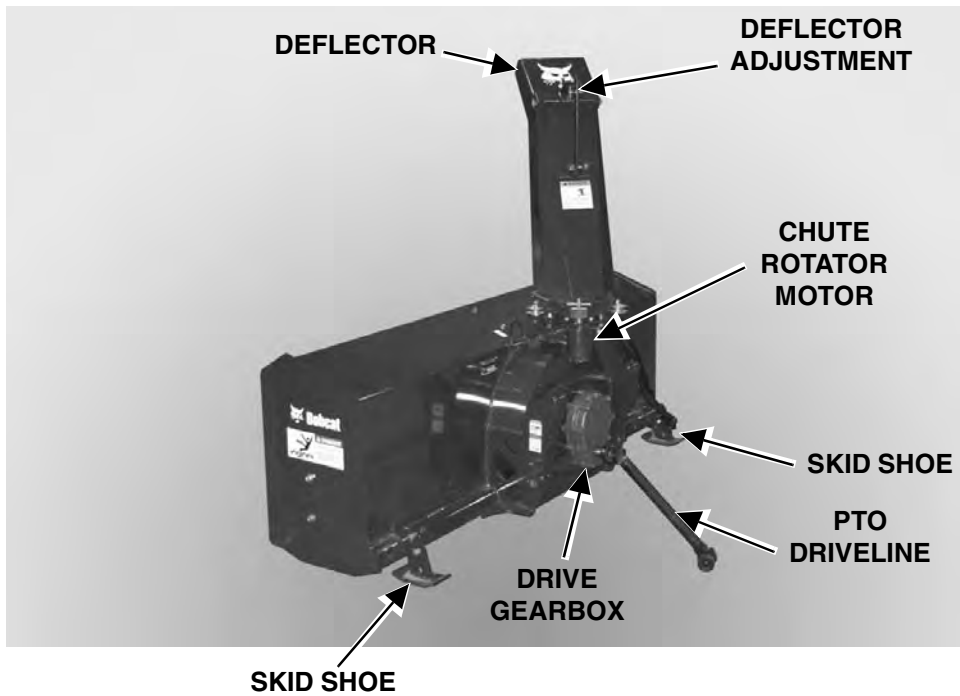
Figure 2

The delivery report [Figure 2] must be completed by the dealer and signed by the owner or operator when the Bobcat front mount snowblower is delivered. An explanation of the form must be given to the owner.

IMPLEMENT IDENTIFICATION



P-94313



P-94312

SAFETY & MAINTENANCE

TROUBLESHOOTING	10-10-1
Chart	10-10-1
SERVICE SCHEDULE	10-20-1
Description	10-20-1
DAILY INSPECTION	10-30-1
Implement Mounting Frame	10-30-1
Compact Tractor Quick Hitch	10-30-1
Front-PTO Shaft Assembly	10-30-2
PTO Driveline	10-30-2
IMPLEMENT STORAGE AND RETURN TO SERVICE	10-40-1
Storage	10-40-1
Return To Service	10-40-1
REGULAR MAINTENANCE ITEMS	10-50-1
Auger Gearbox Fluid	10-50-1
Drive Gearbox Fluid	10-50-1
Skid Shoe	10-50-2
Cutting Edge	10-50-2
Shear Bolt Replacement	10-50-3
Cleaning The Front Mount Snowblower	10-50-3
LUBRICATING THE IMPLEMENT	10-60-1
Lubrication Locations	10-60-1
Auger Gearbox Fluid Change	10-60-3
Drive Gearbox Fluid Change	10-60-4



Bobcat®

TROUBLESHOOTING

Chart



WARNING

Instructions are necessary before operating or servicing machine. Read and understand the Operation & Maintenance Manual, Operator's Handbook and signs (decals) on machine. Follow warnings and instructions in the manuals when making repairs, adjustments or servicing. Check for correct function after adjustments, repairs or service. Untrained operators and failure to follow instructions can cause injury or death.

W-2003-0903

If the attachment is not working correctly, check the hydraulic system of the machine thoroughly before making any repairs on the attachment. Attachment problems can be affected by a hydraulic system that is not operating to specifications. Connect a flow meter to the machine to check the hydraulic pump output, relief valve setting and tube lines to check flow and pressure. (See the machine's Service Manual for the correct procedure to connect the flow meter.)

Use the following troubleshooting chart to locate and correct problems which most often occur with the attachment.

PROBLEM	CAUSE	CORRECTION
Snowblower does not operate.	Damaged or incorrect attachment of the PTO shaft.	Check connection, connect properly, repair or replace.
	Auger shear bolt has sheared / missing.	Replace bolt.
	PTO shear bolt has sheared / missing.	Replace bolt.
	Bolt at connection of gearbox to auger broke or missing.	Replace bolt.
Snowblower cuts too low / too high.	Skid shoes out of adjustment.	Raise or lower skid shoes as needed.
	Top link set wrong.	Adjust top link as needed.
Chute does not rotate.	Damaged quick couplers.	Replace quick couplers.
	Damaged hydraulic motor.	Repair or replace.
	Loose or broken chute rotation chain.	Repair or replace.
	Orifice fitting plugged.	Remove orifice fitting, clean fitting and reinstall. If problem persists, remove and replace orifice fitting.



Bobcat®

SERVICE SCHEDULE

Description

Maintenance work must be done at regular intervals. Failure to do so will result in excessive wear and early failures. The service schedule is a guide for correct maintenance of the Bobcat product.



Instructions are necessary before operating or servicing machine. Read and understand the Operation & Maintenance Manual, Handbook and signs (decals) on machine. Follow warnings and instructions in the manuals when making repairs, adjustments or servicing. Check for correct function after adjustments, repairs or service. Untrained operators and failure to follow instructions can cause injury or death.

W-2003-0199

SERVICE SCHEDULE		FREQUENCY		
ITEM	SERVICE REQUIRED	DAILY	10 HOURS	50 HOURS / YEARLY
Implement Frame Inspection	Inspect for cracks or damage.			
Skid Shoe Inspection	Inspect for excess wear, cracks, damage and loose hardware.			
Check Chute Rotation Chain	Adjust and / or replace chain as required.			
Grease PTO Shaft	Grease PTO shaft and u-joints.			
Grease Outer Auger Bearings	Grease all bearings.			
Gearbox Lubrication Level	Check for proper level of fluid.			
Replace Drive Gearbox Lube	Drain and replace fluid (Approx. 20 fl. oz. (0,60 L) of EP80W90)		[1]	
Replace Auger Gearbox Lube	Drain and replace fluid (Approx. 10.24 fl. oz. (0,30 L) of EP80W90)		[1]	

[1] Service at first 10 hours and thereafter as scheduled.

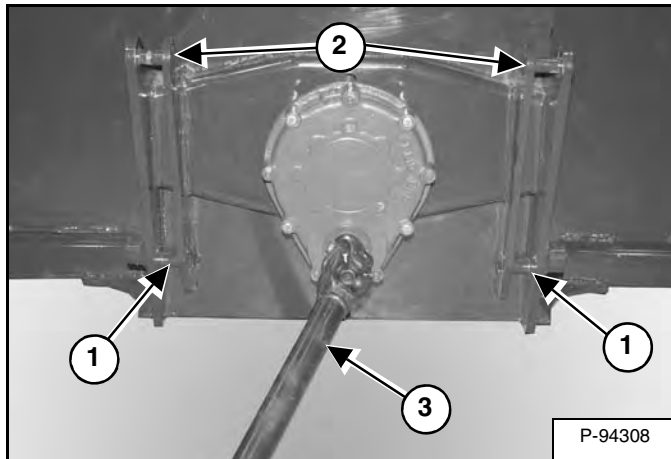


Bobcat®

DAILY INSPECTION

Implement Mounting Frame

Figure 10-30-1



Inspect the lower mounts and lower mounting pins (Item 1) and upper mounts and pins (Item 2), along with all welds on the implement for wear and damage each time the implement is removed from the compact tractor. Inspect the input shaft and PTO driveline for damage (Item 3) [Figure 10-30-1].

Check the following items at the start of a work day:

- Check for damaged or missing decals. Replace if necessary.
- Replace any worn or damaged parts immediately.

Compact Tractor Quick Hitch

WARNING

AVOID INJURY OR DEATH

- Disengage the PTO (rear and mid), engage the parking brake, stop the engine and make sure all rotating components are completely stopped before connecting, disconnecting, adjusting or cleaning any PTO driven equipment.
- Always keep PTO shields and all guards in place when using PTO driven equipment.
- Disengage PTO (rear and mid) for road travel.
- Keep hands, feet and clothing away.

W-2568-0907

WARNING

AVOID INJURY OR DEATH

The parking brake must be engaged before leaving the operator's seat. Rollaway can occur because the transmission may not prevent machine movement. Lock the brake pedals together before activating the parking brake.

W-2656-0807

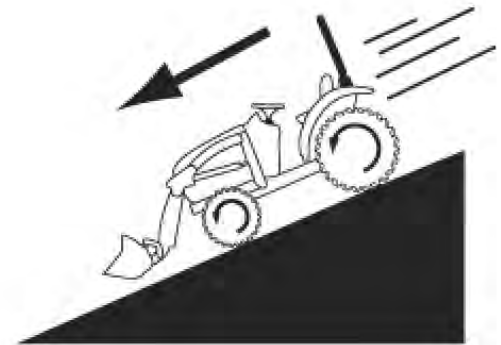
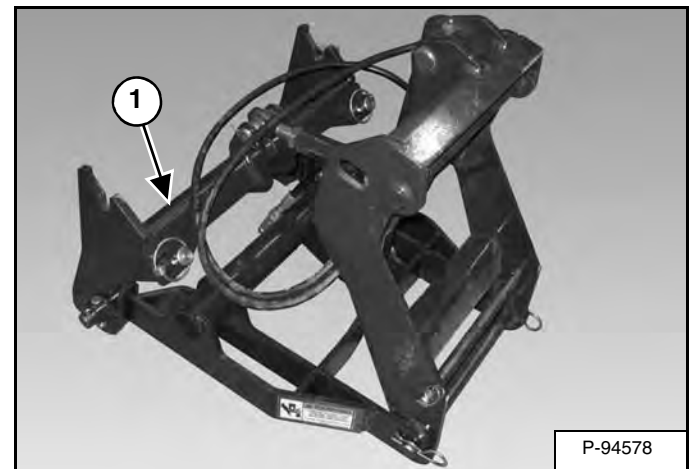


Figure 10-30-2



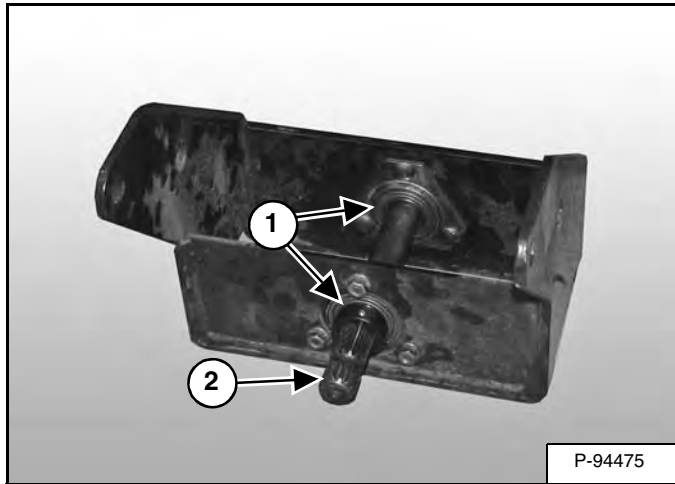
Inspect the quick hitch (Item 1) [Figure 10-30-2] and all welds on the quick hitch mount for wear and damage each time the implement is removed from the machine.

Repair or replace damaged parts.

DAILY INSPECTION (CONT'D)

Front-PTO Shaft Assembly

Figure 10-30-3



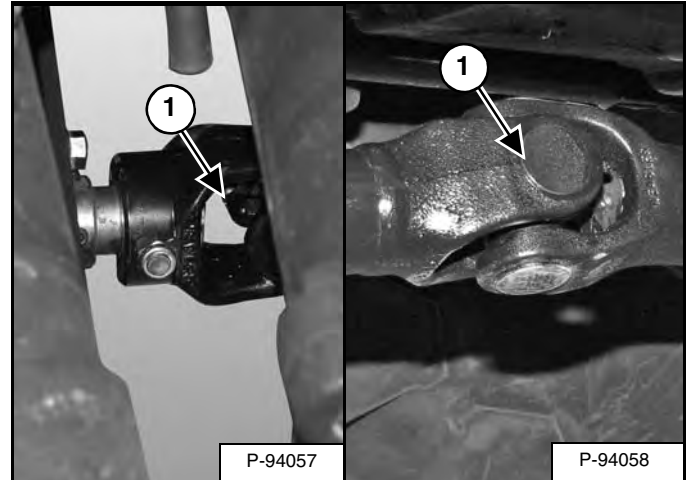
Inspect the front-PTO shaft assembly for wear or damage. Inspect the bearings (Item 1) and shaft (Item 2) [Figure 10-30-3] for wear or damage.

NOTE: Front-PTO shaft assembly shown removed from the compact tractor.

Repair or replace damaged parts.

PTO Driveline

Figure 10-30-4



Inspect the driveline assembly for wear or damage.

NOTE: Pay attention to damaged or worn u-joints (Item 1) [Figure 10-30-4].

Repair or replace damaged parts.

Dear

**Thanks very much for your visiting and
patience.**

Want to get more information,

Please click here, Go back to the page.

**After your payment, you will have instant access to
your download.**

The Download Link will also be sent to your e-mail.

You will get the complete manual

Have any questions

please write to me

admin@servicemanualperfect.com