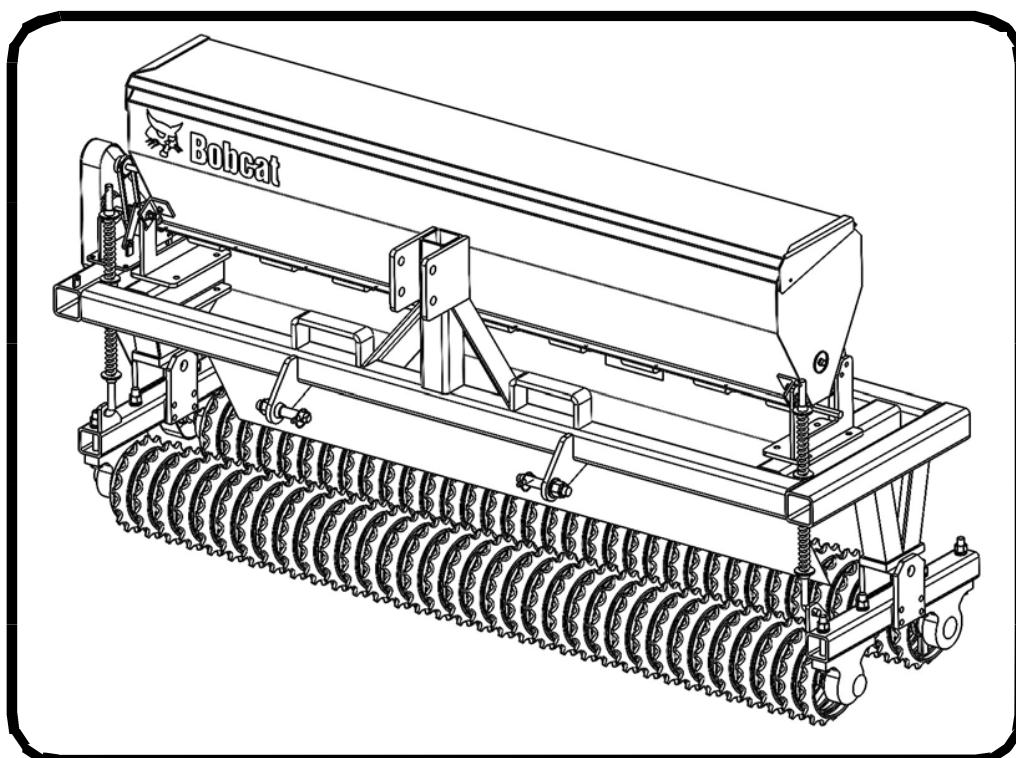




Service Manual

72 Inch Seeder

(Seeder 72SDR) - S/N AEUD00101 & Above



MAINTENANCE SAFETY



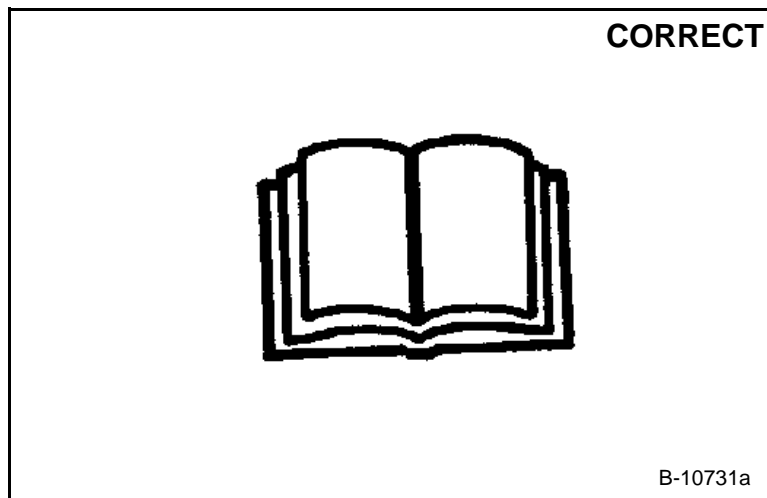
WARNING









Instructions are necessary before operating or servicing machine. Read and understand the Operation & Maintenance Manual, Operator's Handbook and signs (decals) on machine. Follow warnings and instructions in the manuals when making repairs, adjustments or servicing. Check for correct function after adjustments, repairs or service. Untrained operators and failure to follow instructions can cause injury or death.

W-2003-0903



Safety Alert Symbol: This symbol with a warning statement, means: "Warning, be alert! Your safety is involved!" Carefully read the message that follows.



-  Never service attachments / implements without instructions. See Operation & Maintenance Manual and Attachment / Implement Service Manual.
-  Cleaning and maintenance are required daily.
-  Never service or adjust attachment / implement with the engine running unless instructed to do so in manual.
-  Always lower the attachment / implement to the ground before lubricating or servicing.
-  Avoid contact with leaking hydraulic fluid or diesel fuel under pressure. It can penetrate skin or eyes.
-  Stop, cool and clean engine of flammable materials before checking fluids.
-  Keep body, loose objects and clothing away from moving parts, electrical contacts, hot parts and exhaust.
-  Safety glasses are needed for eye protection from electrical arcs, battery acid, compressed springs, fluids under pressure and flying debris or when tools are used. Use eye protection approved for type of welding.



Bobcat®

ALPHABETICAL INDEX

AGITATOR SHAFT	20-40-1
BOB-TACH MOUNTING KIT	20-80-1
CHAIN COVERS	20-10-1
DAILY INSPECTION	10-20-1
LARGE CHAIN	20-20-1
LEVELING SPRINGS	20-70-1
LUBRICATING THE SEEDER	10-30-1
RAKE	10-40-1
RAKE TINES	10-50-1
ROLLERS	20-60-1
SEED BOX	20-50-1
(SEEDER 72SDR) SEEDER SPECIFICATIONS	SPEC-10-1
PLANTING CHART	SPEC-20-1
SMALL CHAIN	20-30-1
TROUBLESHOOTING	10-10-1



Bobcat®

CONTENTS

**SAFETY AND
MAINTENANCE**

**MAIN
FRAME**

**SPECIFICATIONS
AND
SCHEMATICS**

SERIAL NUMBER LOCATION III
DELIVERY REPORT..... III
IDENTIFICATION AND MACHINE SIGNS (DECALS) IV
SAFETY AND MAINTENANCE..... 10-01
MAIN FRAME 20-01
SPECIFICATIONS..... SPEC-01

REFERENCE INFORMATION

Write the correct information for YOUR seeder in the spaces below. Always use these numbers when referring to your seeder.

72 Inch Seeder Serial Number

NOTES:

YOUR BOBCAT® DEALER:

ADDRESS:

PHONE:

Bobcat Company
P.O. Box 128
Gwinner, ND 58040-0128

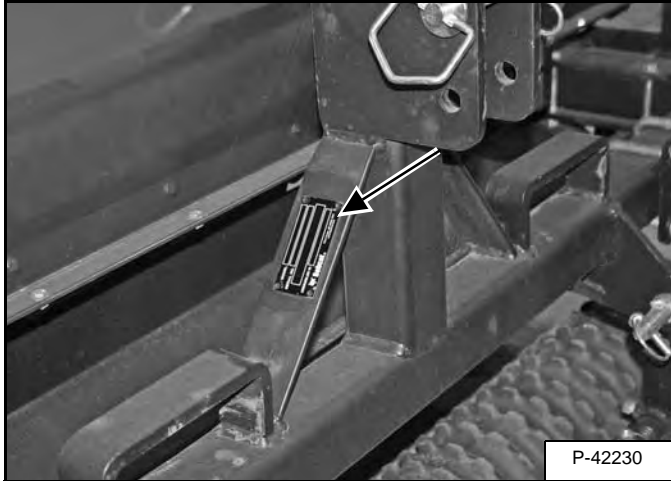
Bobcat Company Europe
Drève Richelle 167
B-1410 WATERLOO
Belgium



Bobcat®

SERIAL NUMBER LOCATION

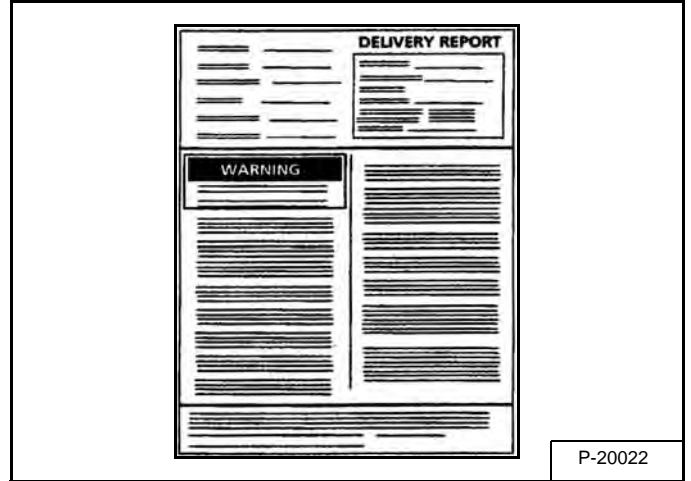
Figure 1



Always use the serial number of the seeder when requesting service information or when ordering parts. Early or later models (identification made by serial number) may use different parts, or it may be necessary to use a different procedure in doing a specific service operation **[Figure 1]**.

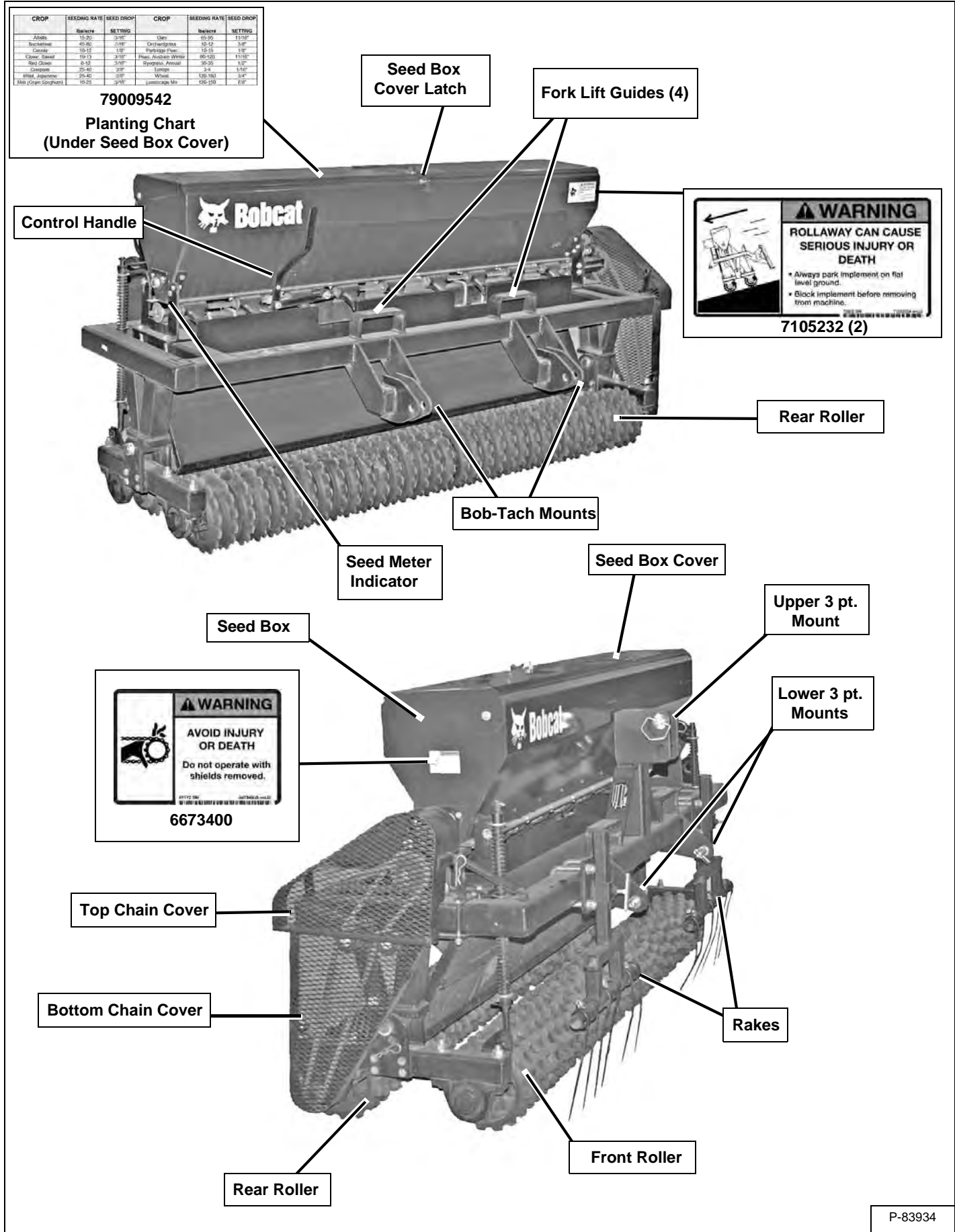
DELIVERY REPORT

Figure 2



The delivery report must be filled out by the dealer and signed by the owner or operator when the seeder Installer is delivered. An explanation of the form must be given to the owner. Make sure it is filled out completely **[Figure 2]**.

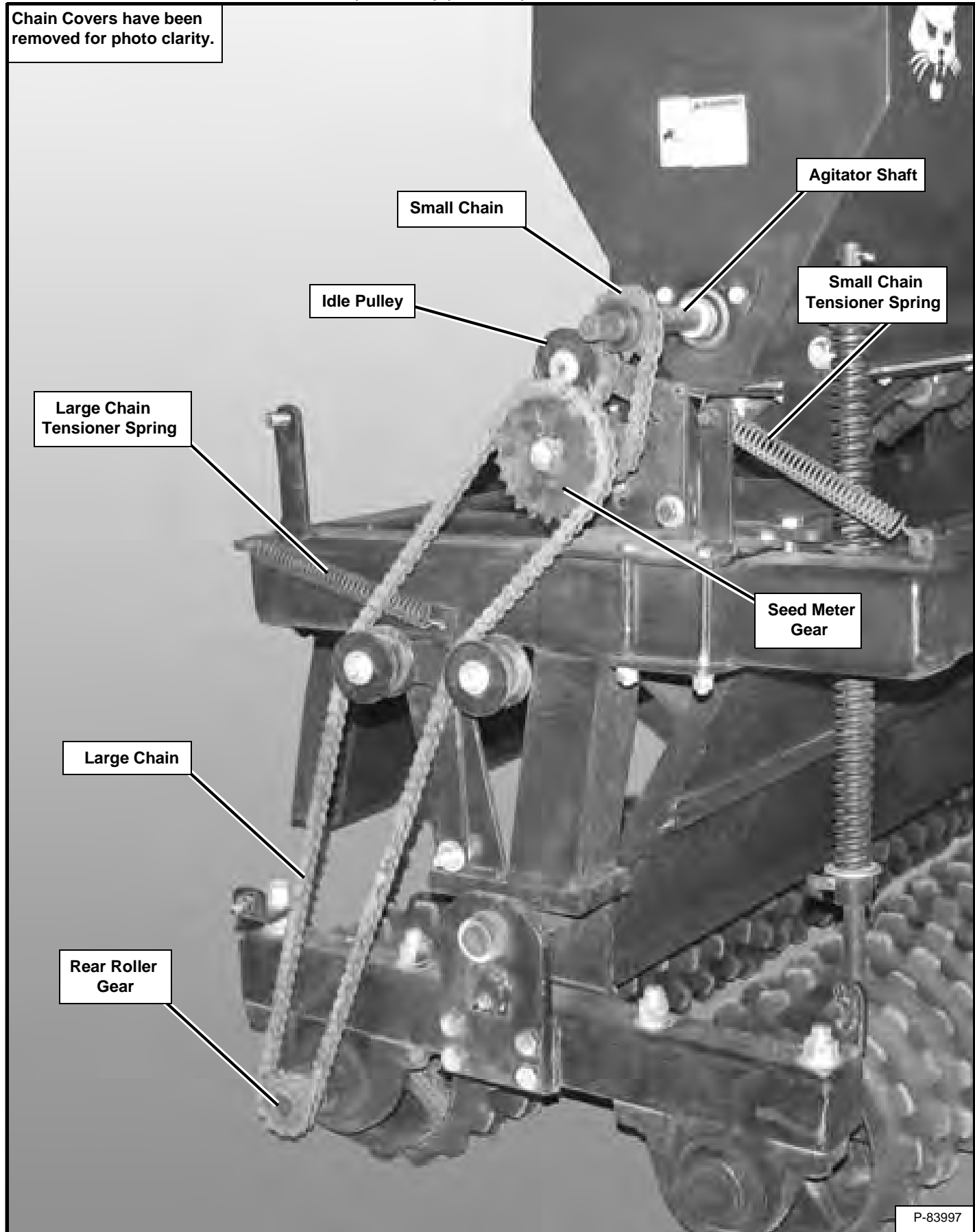
IDENTIFICATION AND MACHINE SIGNS (DECALS)



P-83934

IDENTIFICATION AND MACHINE SIGNS (DECALS) (CONT'D)

Chain Covers have been removed for photo clarity.





Bobcat®

SAFETY AND MAINTENANCE

DAILY INSPECTION	10-20-1
Bob-Tach	10-20-2
Seeder Mounting Frame	10-20-1
Three-Point Hitch	10-20-4
LUBRICATING THE SEEDER	10-30-1
Lubrication Locations	10-30-1
RAKE	10-40-1
Removal And Installation	10-40-1
RAKE TINES	10-50-1
Removal And Installation	10-50-1
TROUBLESHOOTING	10-10-1
Chart	10-10-1



Bobcat®

TROUBLESHOOTING

Chart

PROBLEM	CAUSE	CORRECTION
Planting rate is too heavy or not heavy enough.	Seeder not calibrated to this seed type.	Calibrate seeder.
	48 tooth sprocket option installed. (Slows seeding rate)	Install 24 tooth sprocket.
No seed dropping from seeder.	Hopper is empty.	Fill hopper with seed.
	Ground engaging cultipacker wheel not turning.	Seeder not contacting the ground.
	Metering units are plugged.	Empty hopper and unplug metering units.
	Seed box agitator or metering units not turning.	Check that chain drive is functioning correctly.
Seeder will not reach edge of work area.	Machine is too wide.	Side shift seeder.



Bobcat®

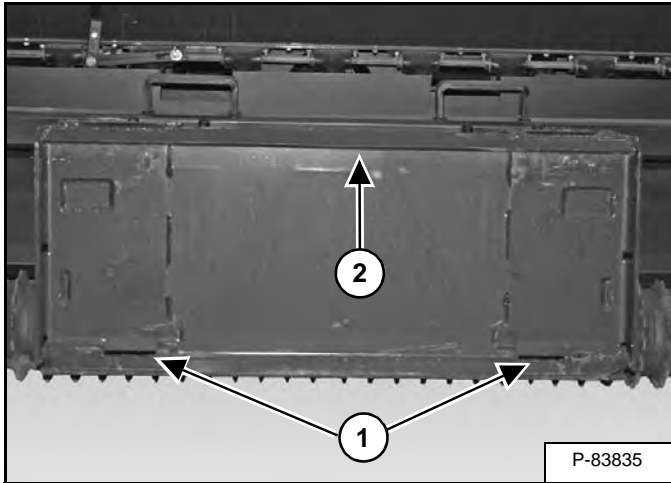
DAILY INSPECTION

Seeder Mounting Frame

Bob-Tach

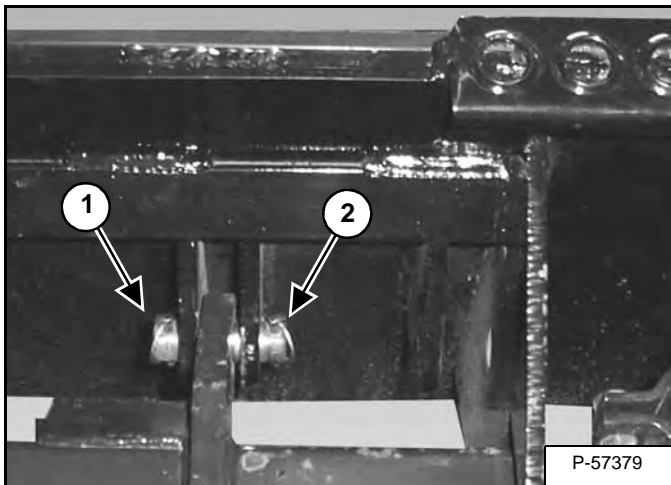
NOTE: The 72 inch seeder can be ordered with a Bob-Tach mounting frame factory installed, or as a kit to be installed by dealer. See your Bobcat dealer for available kits.

Figure 10-20-1



Inspect the Bob-Tach wedge mounts (Item 1), mounting flange (Item 2) [Figure 10-20-1] and all welds on the seeder for wear and damage each time the seeder is removed from the machine.

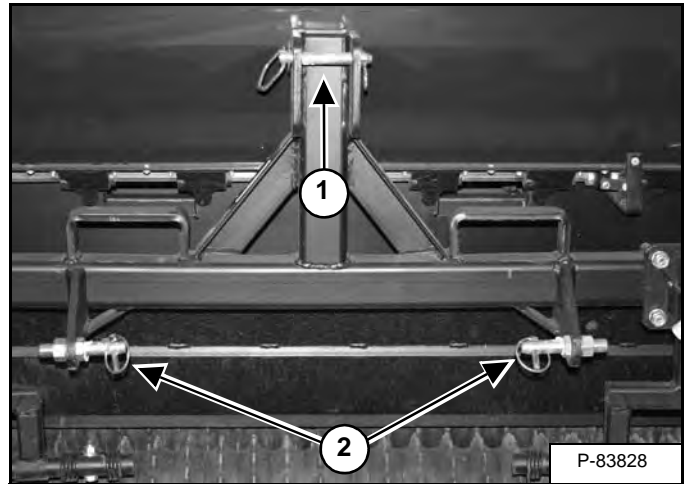
Figure 10-20-2



Inspect float pins (Item 1) and retaining pins (Item 2) [Figure 10-20-2] on both sides of the Bob-Tach mounting frame.

Three-Point

Figure 10-20-3



Inspect the upper three-point mount (Item 1), lower 3-point mounts (Item 2) [Figure 10-20-3] and all welds on the seeder for wear and damage each time the seeder is removed from the tractor/machine.

Frequently inspect the seeder to ensure that all components are secure and that all bolts and nuts are thoroughly tightened.

DAILY INSPECTION (CONT'D)

Bob-Tach

Hand Lever Bob-Tach

NOTE: The 72 inch seeder can be ordered with a Bob-Tach mounting frame factory installed, or as a kit to be installed by dealer. See your Bobcat dealer for available kits.

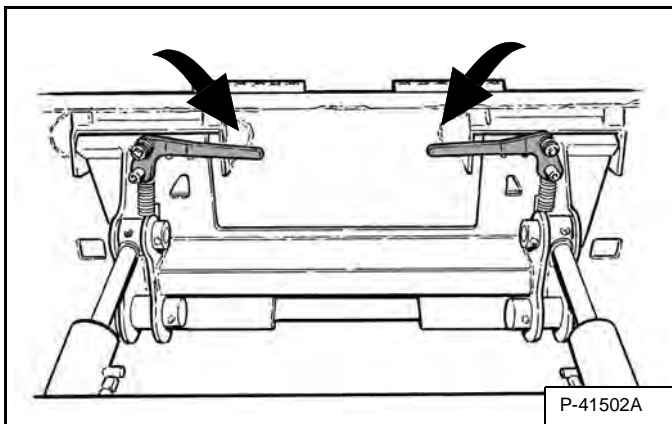
WARNING

AVOID INJURY OR DEATH

The Bob-Tach wedges must extend through the holes in the attachment mounting frame. Levers must be fully down and locked. Failure to secure wedges can allow attachment to come off.

W-2715-0208

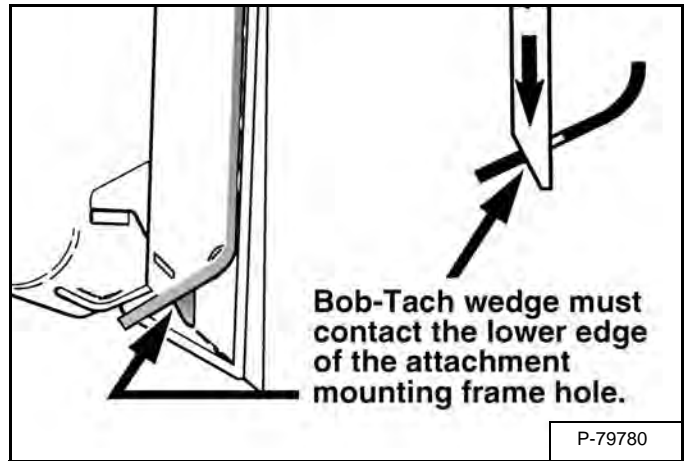
Figure 10-20-4



Push down on the Bob-Tach levers until they are fully engaged in the locked position [Figure 10-20-4] (wedges fully extended through the implement mounting frame holes).

The levers and wedges must move freely [Figure 10-20-4].

Figure 10-20-5



The wedges must extend through the holes in the implement mounting frame, securely fastening the implement to the Bob-Tach [Figure 10-20-5].

NOTE: If the wedge does not contact the lower edge of the hole, the implement will be loose and can come off the Bob-Tach.

Inspect the mounting frame on the seeder. (See the machine's Operation and Maintenance Manual for inspecting the Bob-Tach). Replace any parts that are damaged, bent or missing. Keep all fasteners tight. Look for cracked welds. Contact your Bobcat dealer for repair or replacement parts.

Lubricate the wedges. (See the machine's Operation & Maintenance Manual for the correct procedure.)

Dear

**Thanks very much for your visiting and
patience.**

Want to get more information,

Please click here, Go back to the page.

**After your payment, you will have instant access to
your download.**

The Download Link will also be sent to your e-mail.

You will get the complete manual

Have any questions

please write to me

admin@servicemanualperfect.com