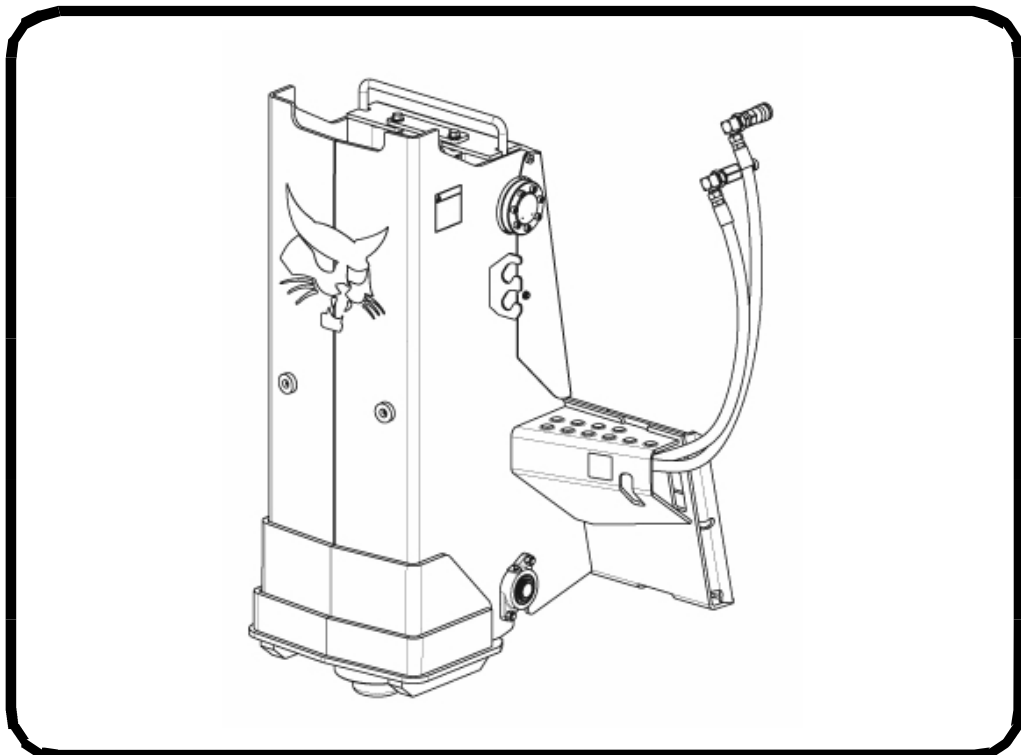




Service Manual

Drop Hammer

S/N 005800101 & Above
S/N A78D00101 & Above



MAINTENANCE SAFETY



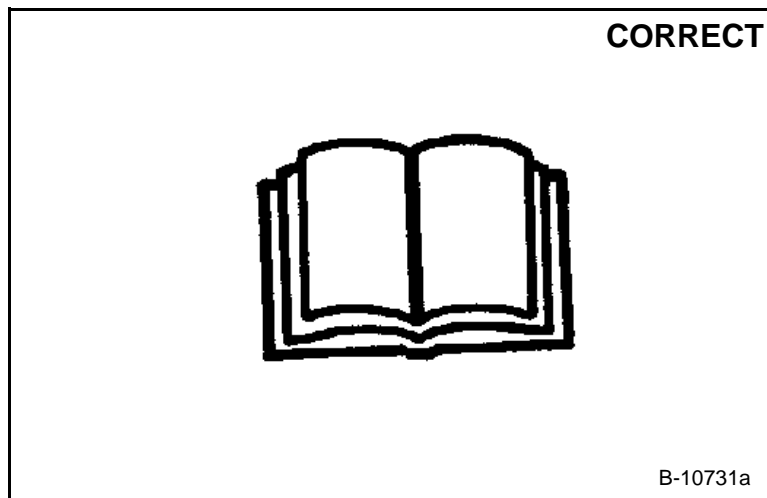
WARNING









Instructions are necessary before operating or servicing machine. Read and understand the Operation & Maintenance Manual, Operator's Handbook and signs (decals) on machine. Follow warnings and instructions in the manuals when making repairs, adjustments or servicing. Check for correct function after adjustments, repairs or service. Untrained operators and failure to follow instructions can cause injury or death.

W-2003-0903



Safety Alert Symbol: This symbol with a warning statement, means: "Warning, be alert! Your safety is involved!" Carefully read the message that follows.



-  Never service attachments / implements without instructions. See Operation & Maintenance Manual and Attachment / Implement Service Manual.
-  Cleaning and maintenance are required daily.
-  Never service or adjust attachment / implement with the engine running unless instructed to do so in manual.
-  Always lower the attachment / implement to the ground before lubricating or servicing.
-  Avoid contact with leaking hydraulic fluid or diesel fuel under pressure. It can penetrate skin or eyes.
-  Stop, cool and clean engine of flammable materials before checking fluids.
-  Keep body, loose objects and clothing away from moving parts, electrical contacts, hot parts and exhaust.
-  Safety glasses are needed for eye protection from electrical arcs, battery acid, compressed springs, fluids under pressure and flying debris or when tools are used. Use eye protection approved for type of welding.



Bobcat®

ALPHABETICAL INDEX

CHAIN	10-40-1
CHAIN (S/N A78DOO101 & ABOVE)	30-21-1
CHAIN (S/N 005800101 & ABOVE) (CONT'D)	30-20-2
CHAIN GUARD (S/N A78D00101 & ABOVE)	30-90-1
CONTROL VALVE (S/N 005800101 & ABOVE)	20-10-1
CONTROL VALVE (S/N A78D00101 & ABOVE)	20-11-1
DAILY INSPECTION	10-20-1
DELIVERY REPORT	III
DRIVE ASSEMBLY (S/N 005800101 & ABOVE)	30-50-1
HYDRAULIC MOTOR (S/N 005800101 & ABOVE)	20-20-1
HYDRAULIC MOTOR (S/N A78D00101 & ABOVE)	20-21-1
HYDRAULIC SCHEMATIC (S/N A78D00101 & ABOVE)	40-21-1
HYDRAULIC SCHEMATIC (S/N 005800101 & ABOVE)	40-20-1
IDENTIFICATION AND MACHINE SIGNS (DECALS)	IV
IDLER ARM (S/N A87D00101 & ABOVE)	30-80-1
IDLER SHAFT (S/N A87D00101 & ABOVE)	30-70-1
LOWER SHAFT (S/N 005800101 & ABOVE)	30-30-1
LOWER SHAFT (S/N A78D00101 & ABOVE)	30-31-1
LOWER BEARING ASSEMBLY	30-40-1
LUBRICATION	10-30-1
SERIAL NUMBER LOCATIONS	III
SPECIFICATIONS (S/N 005800101 & ABOVE)	40-10-1
SPECIFICATIONS (S/N A78D00101 & ABOVE)	40-11-1
TRANSPORT LOCK	10-50-1
TROUBLESHOOTING	10-10-1
UPPER BEARING (S/N 005800101 & ABOVE)	30-60-1
WEIGHT	30-10-1

**ALPHABETICAL
INDEX**



Bobcat®

CONTENTS

DELIVERY REPORT.....	III
SERIAL NUMBER LOCATIONS	III
Attachment Serial Number.....	III
IDENTIFICATION AND MACHINE SIGNS (DECALS)	IV
Drop Hammer (S/N 005800101 & Above)	IV
Drop Hammer (S/N A78D00101 & Above)	V
PREVENTIVE MAINTENANCE	10-01
HYDRAULIC SYSTEM	20-01
MAIN FRAME	30-01
SPECIFICATIONS AND SCHEMATICS	40-01

**PREVENTIVE
MAINTENANCE**

**HYDRAULIC
SYSTEM**

**MAIN
FRAME**

**SPECIFICATIONS
AND
SCHEMATICS**

**CALIFORNIA
PROPOSITION 65 WARNING**

Diesel engine exhaust and some of its constituents are known to the State of California to cause cancer, birth defects and other reproductive harm.



Bobcat®

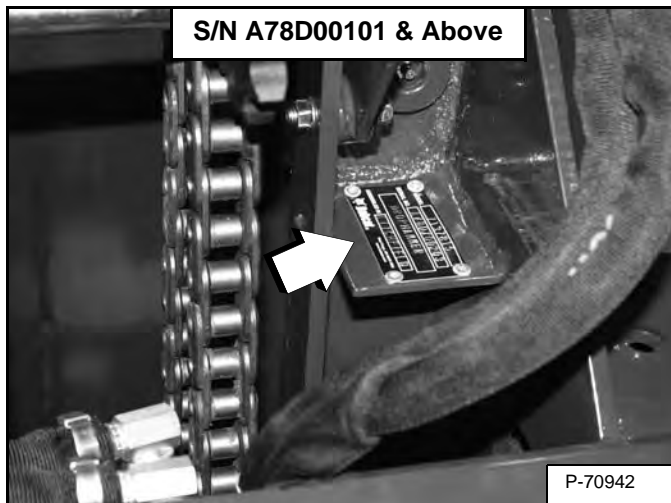
SERIAL NUMBER LOCATIONS

Attachment Serial Number

Figure 1



Figure 2

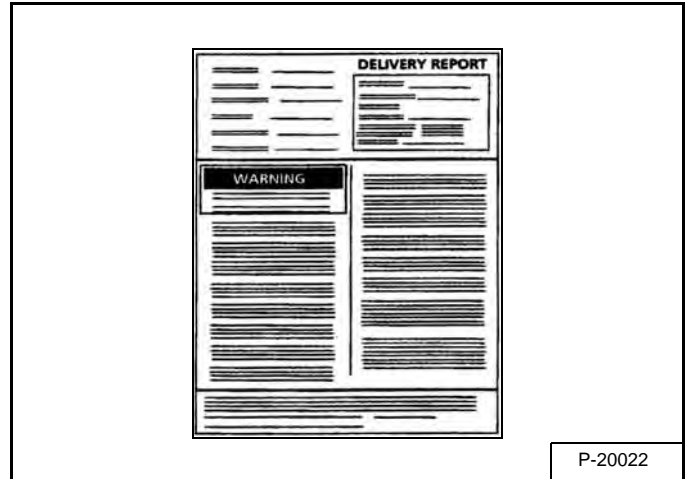


Always use the serial number of the drop hammer when requesting service information or when ordering parts. Early or later models (identification made by serial number) may use different parts, or it may be necessary to use a different procedure in doing a specific service operation [Figure 1] and [Figure 2].

NOTE: The later drop hammer (S/N A78D00101 & Above) serial number tag is located under the cover.

DELIVERY REPORT

Figure 3



The delivery report must be filled out by the dealer and signed by the owner or operator when the drop hammer is delivered. An explanation of the form must be given to the owner. Make sure it is filled out completely [Figure 3].

IDENTIFICATION AND MACHINE SIGNS (DECALS)

Drop Hammer (S/N 005800101 & Above)

7101612

6583862(2)

7101079

7101612

6583862(2)

7101079

WARNING
AVOID BURNS FROM HOT HYDRAULIC MOTOR AND QUICK COUPLERS
• Do not touch. The steel parts in the hot area.
• Allow to cool before working on.

SERVICE SCHEDULE
EVERY 8 HOURS OF OPERATION
1. Check mounting frame for damage or condition notes. Repair or report if necessary.
2. Check chain wear.
3. Check for damaged or missing links or pins. Repair if necessary.
4. Lubricate all O-ring seals.
5. Oil lines and cables.
SEE ATTACHED OPERATION & MAINTENANCE MANUAL FOR MORE INFORMATION.

WARNING
AVOID INJURY OR DEATH
• Make sure to give a starting position.
• STOP engine and disconnect auxiliary hydraulic power before working attachment.

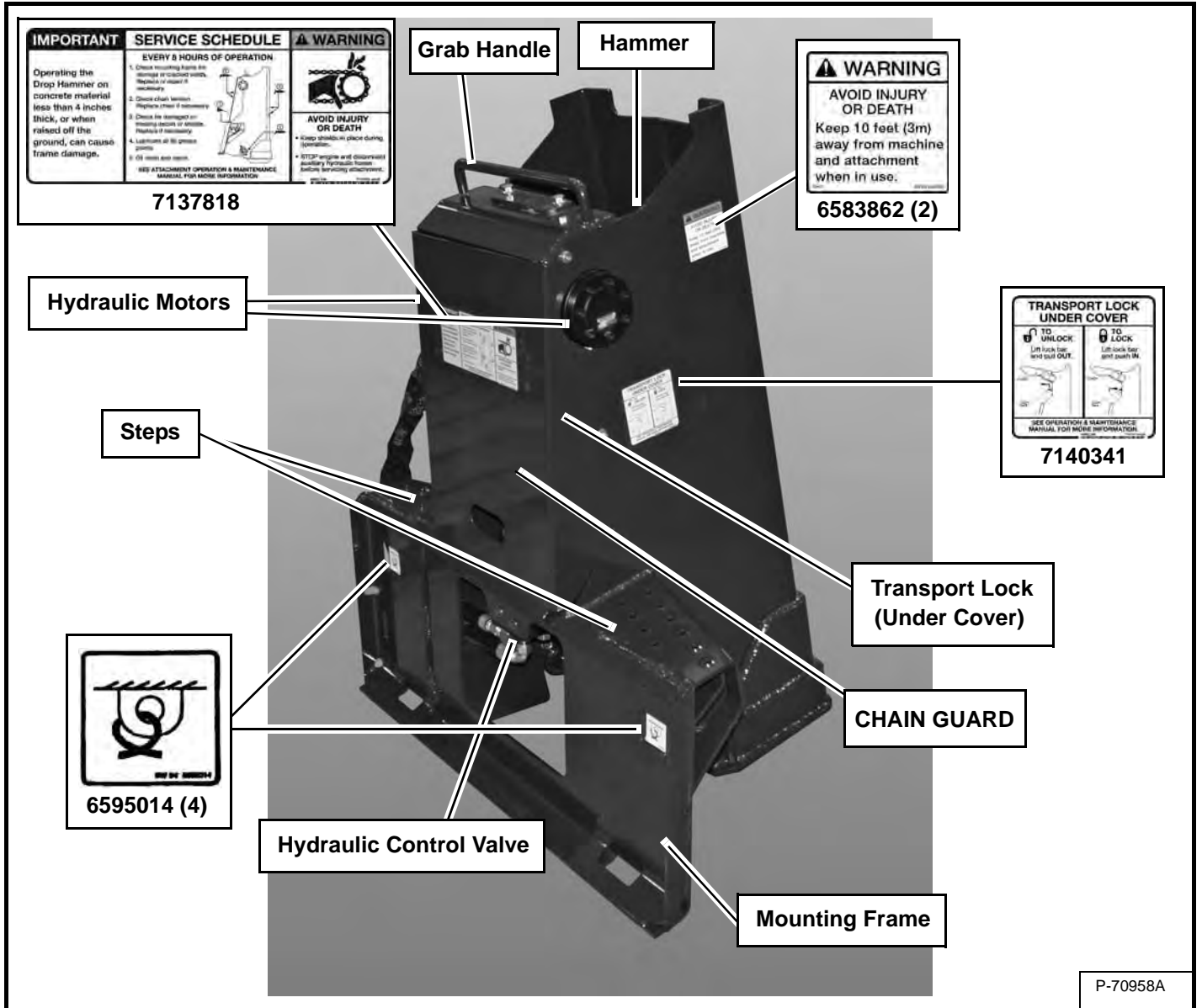
WARNING
AVOID INJURY OR DEATH
Keep 10 feet (3m) away from loader and attachment when in use.

TRANSPORT LOCK
STORAGE POSITION
LOCKED POSITION
To Install:
1. Remove mounting bolts.
2. Place leg of transport lock inside hanger channel.
3. Re-install mounting bolts and torque to 150 N-m (200 N-m).

P-41766

IDENTIFICATION AND MACHINE SIGNS (DECALS)

Drop Hammer (S/N A78D00101 & Above)





Bobcat®

PREVENTIVE MAINTENANCE

PREVENTIVE MAINTENANCE

CHAIN	10-40-1
Chain Tension (005800101 & Above)	10-40-1
Chain Tension (A78D00101 & Above)	10-40-1
DAILY INSPECTION	10-20-1
Bob-Tach	10-20-1
Chain Tension (S/N 005800101 & Above)	10-20-3
Chain Tension (S/N A78D00101 & Above)	10-20-4
Cushion Safety Valve (S/N A78D00101 & Above)	10-20-4
Drop Hammer Mounting Frame	10-20-1
Weight	10-20-4
LUBRICATION	10-30-1
Lubrication Points (S/N 005800101 & Above)	10-30-1
Lubrication Points (S/N A78D00101 & Above)	10-30-2
TRANSPORT LOCK	10-50-1
Operation (S/N 005800101 & Above)	10-50-1
Operation (S/N A78D00101 & Above)	10-50-2
TROUBLESHOOTING	10-10-1



Bobcat®

TROUBLESHOOTING

Chart

PROBLEM	CAUSE	CORRECTION
Loose chain.	Loose jam nut.	Tighten jam nut.
	Worn chain.	Replace chain.
Excessive wear to chain catch, weight and housing.	Poor lubrication.	Lubricate attachment.
	Jam nuts do not have 1/8 in. gap.	Adjust jam nuts to 1/8 in. gap.
Weight contacts frame when dropped.	Excessively worn tool.	Replace tool.
	Skid shoes not placed firmly on the surface.	Position skid shoes on the surface.
Chain does not engage weight during lift cycle.	Lose or worn chain.	Tighten jam nuts or replace the chain.
	Worn catch.	Replace chain and/or weight catch.



Bobcat®

DAILY INSPECTION

Drop Hammer Mounting Frame

Figure 10-20-1

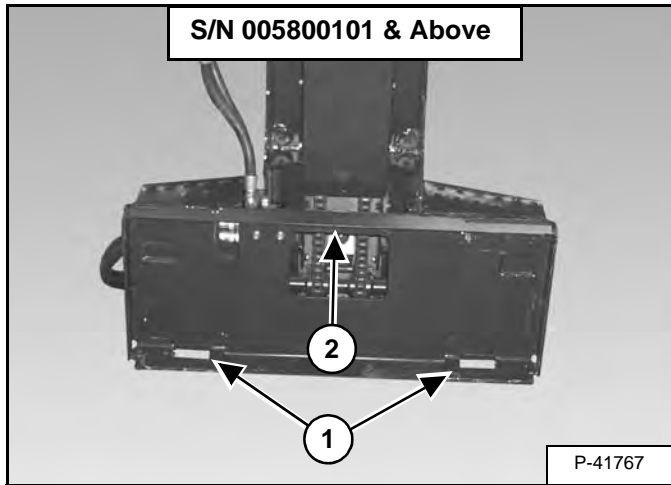
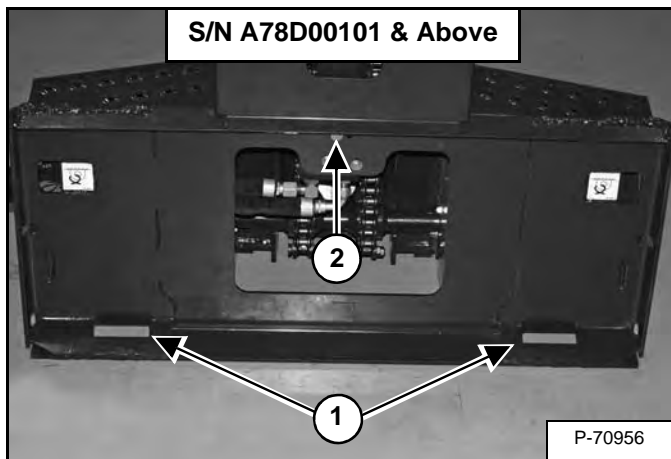


Figure 10-20-2



Inspect the Bob-Tach wedge mounts (Item 1), mounting flange (Item 2) [Figure 10-20-1] and [Figure 10-20-2] and all welds on the drop hammer mount for wear and damage each time the drop hammer is removed from the machine.

Frequently inspect the drop hammer to ensure that all components are secure and that all bolts and nuts are thoroughly tightened.

Bob-Tach

Hand Lever Bob-Tach

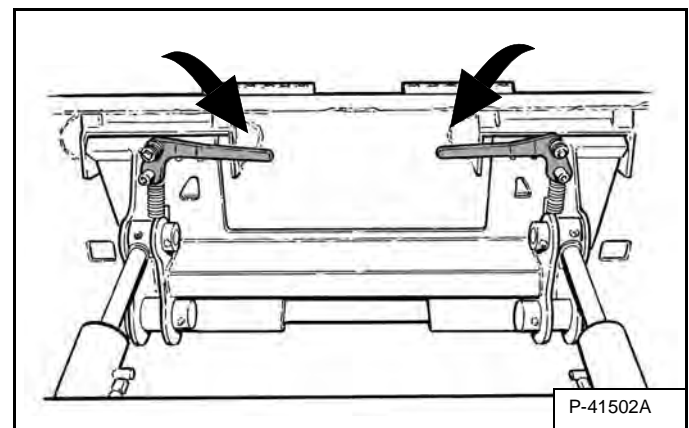


AVOID INJURY OR DEATH

The Bob-Tach wedges must extend through the holes in the attachment mounting frame. Levers must be fully down and locked. Failure to secure wedges can allow attachment to come off.

W-2715-0208

Figure 10-20-3



Push down on the Bob-Tach levers until they are fully engaged in the locked position [Figure 10-20-3] (wedges fully extended through the attachment mounting frame holes).

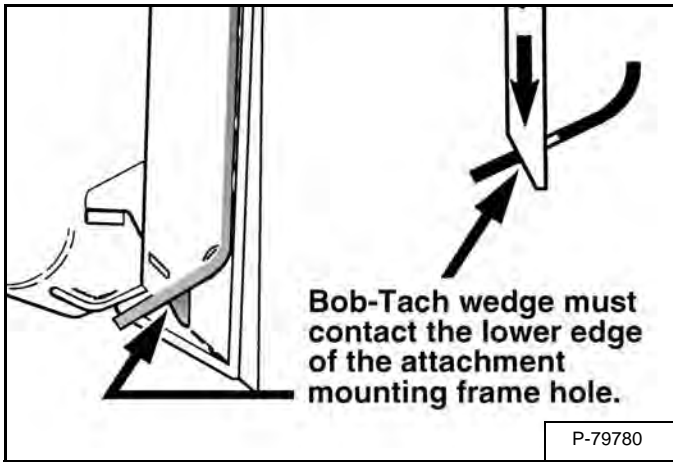
The levers and wedges must move freely [Figure 10-20-3].

DAILY INSPECTION (CONT'D)

Bob-Tach (Cont'd)

Hand Lever Bob-Tach (Cont'd)

Figure 10-20-4



The wedges must extend through the holes in the attachment mounting frame, securely fastening the attachment to the Bob-Tach [Figure 10-20-4].

NOTE: If the wedge does not contact the lower edge of the hole, the attachment will be loose and can come off the Bob-Tach.

Inspect the mounting frame on the attachment. (See the machine's Operation and Maintenance Manual for inspecting the Bob-Tach). Replace any parts that are damaged, bent or missing. Keep all fasteners tight. Look for cracked welds. Contact your Bobcat dealer for repair or replacement parts.

Lubricate the wedges. (See the machine's Operation & Maintenance Manual for the correct procedure.)

Power Bob-Tach

! WARNING

AVOID INJURY OR DEATH

The Bob-Tach wedges must extend through the holes in the attachment mounting frame. Levers must be fully down and locked. Failure to secure wedges can allow attachment to come off.

W-2715-0208

Figure 10-20-5

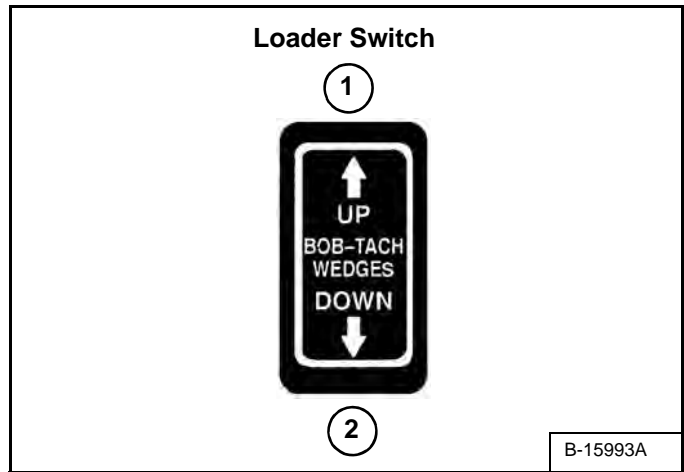


Figure 10-20-6

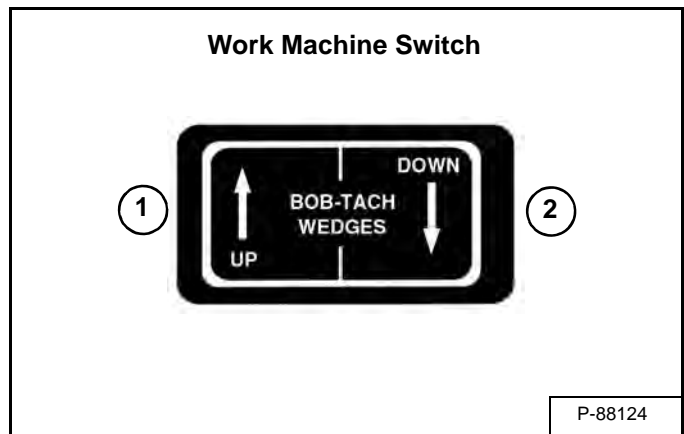
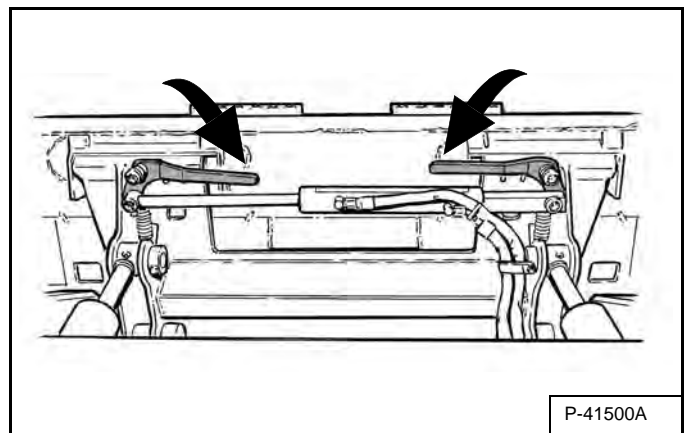


Figure 10-20-7



Push and hold the BOB-TACH "WEDGES DOWN" switch (Item 2) [Figure 10-20-5] and [Figure 10-20-6] until the levers are fully engaged in the locked position [Figure 10-20-7] (wedges fully extended through the attachment mounting frame holes).

Dear

**Thanks very much for your visiting and
patience.**

Want to get more information,

Please click here, Go back to the page.

**After your payment, you will have instant access to
your download.**

The Download Link will also be sent to your e-mail.

You will get the complete manual

Have any questions

please write to me

admin@servicemanualperfect.com