



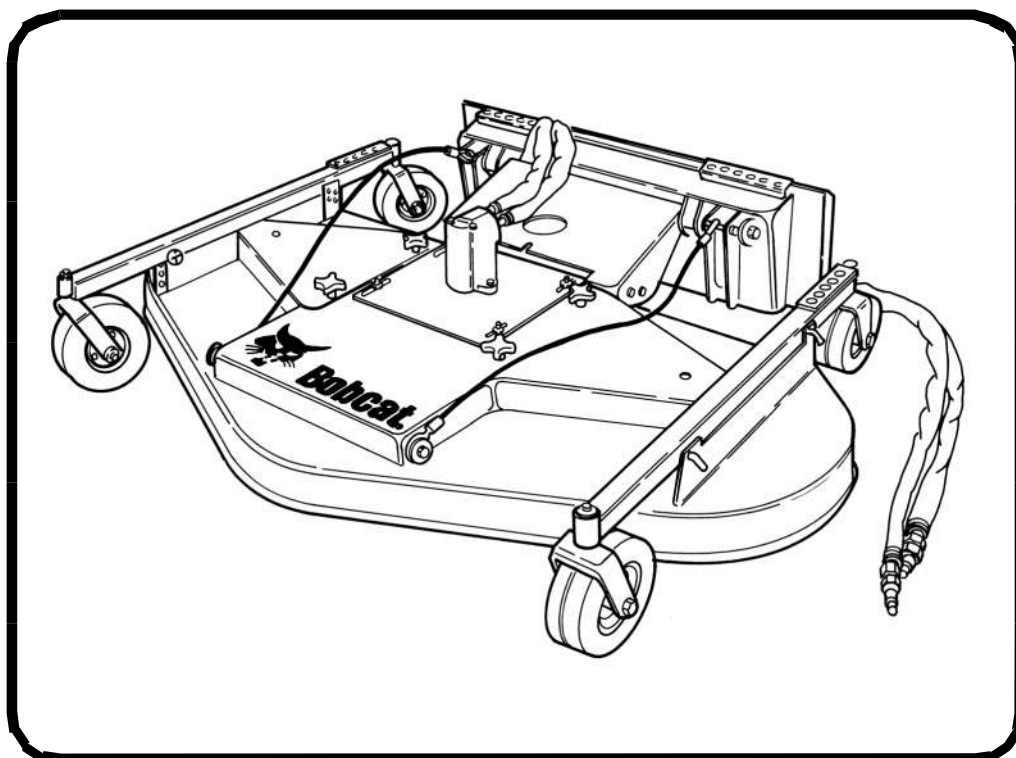
---

# Service Manual

## Mower

---

(Mower 72) S/N 230400101 & Above  
(MI Finish Mower 72) S/N A8WB00101 & Above  
(90 Mower) S/N 230700101 & Above  
(MI Finish Mower 90) S/N A8SD00101 & Above





# MAINTENANCE SAFETY



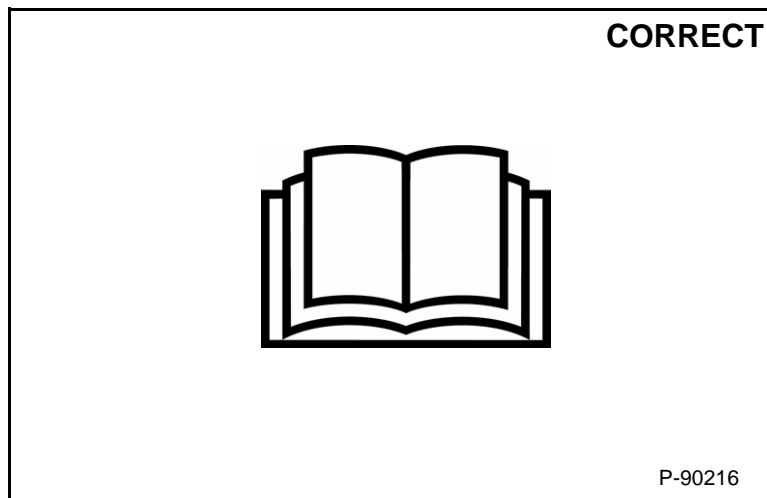
## WARNING









Instructions are necessary before operating or servicing machine. Read and understand the Operation & Maintenance Manual, Operator's Handbook and signs (decals) on machine. Follow warnings and instructions in the manuals when making repairs, adjustments or servicing. Check for correct function after adjustments, repairs or service. Untrained operators and failure to follow instructions can cause injury or death.

W-2003-0807



**Safety Alert Symbol:** This symbol with a warning statement, means: "Warning, be alert! Your safety is involved!" Carefully read the message that follows.



-  Never service attachments / implements without instructions. See Operation & Maintenance Manual and Attachment / Implement Service Manual.
-  Cleaning and maintenance are required daily.
-  Never service or adjust attachment / implement with the engine running unless instructed to do so in manual.
-  Always lower the attachment / implement to the ground before lubricating or servicing.
-  Avoid contact with leaking hydraulic fluid or diesel fuel under pressure. It can penetrate skin or eyes.
-  Stop, cool and clean engine of flammable materials before checking fluids.
-  Keep body, loose objects and clothing away from moving parts, electrical contacts, hot parts and exhaust.
-  Safety glasses are needed for eye protection from electrical arcs, battery acid, compressed springs, fluids under pressure and flying debris or when tools are used. Use eye protection approved for type of welding.



**Bobcat®**

## CONTENTS

SAFETY AND MAINTENANCE .....	10-01
HYDRAULIC SYSTEM .....	20-01
MAINFRAME .....	30-01
SPECIFICATIONS .....	SPEC-01
ALPHABETICAL INDEX .....	INDEX-01



**Bobcat®**

## FOREWORD

SERIAL NUMBER LOCATION .....	1-7
Attachment Serial Number .....	1-7
DELIVERY REPORT .....	1-7
ATTACHMENT IDENTIFICATION .....	1-8
72 Inch S/N 230400101 & Above	
90 Inch S/N 230700101 & Above .....	1-8
72 Inch S/N A8WB00101 & Above	
90 Inch S/N A8SD00101 & Above .....	1-9



**Bobcat®**



## SERIAL NUMBER LOCATION

### Attachment Serial Number

Always use the serial number of the mower when requesting service information or when ordering parts. Early or later models (identification made by serial number) may use different parts, or it may be necessary to use a different procedure in doing a specific service operation.

Figure 1

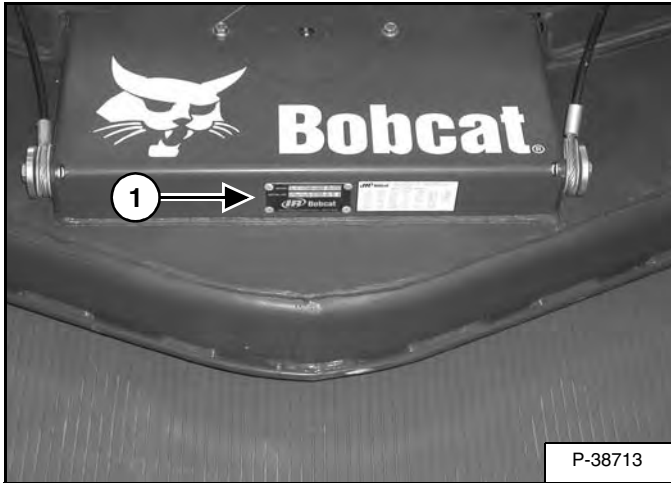
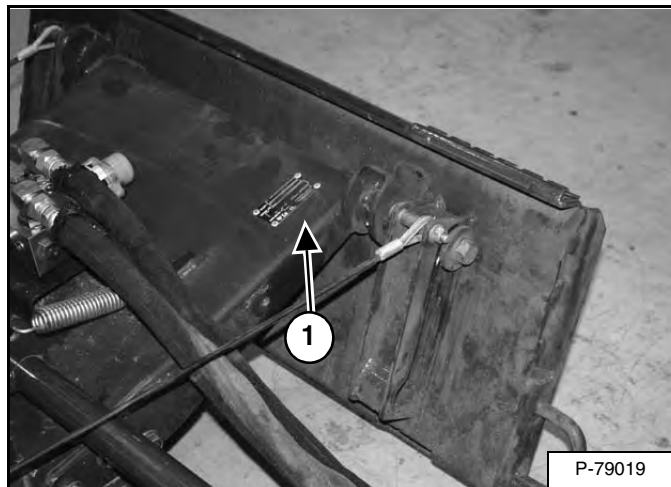


Figure 2



The mower serial number plate (Item 1) [Figure 1] or [Figure 2] is located on the frame in either position as shown, depending on mower model.

## DELIVERY REPORT

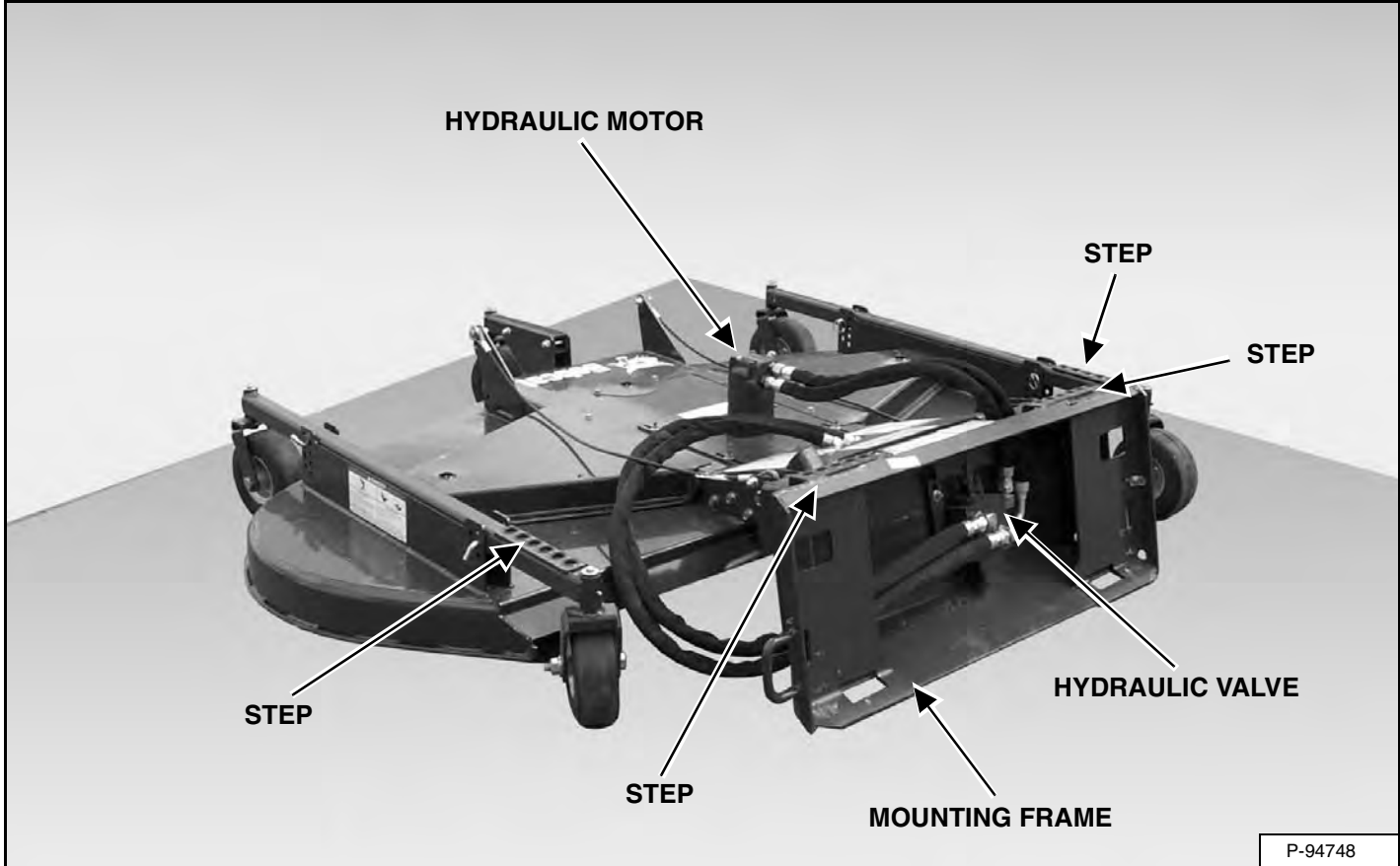
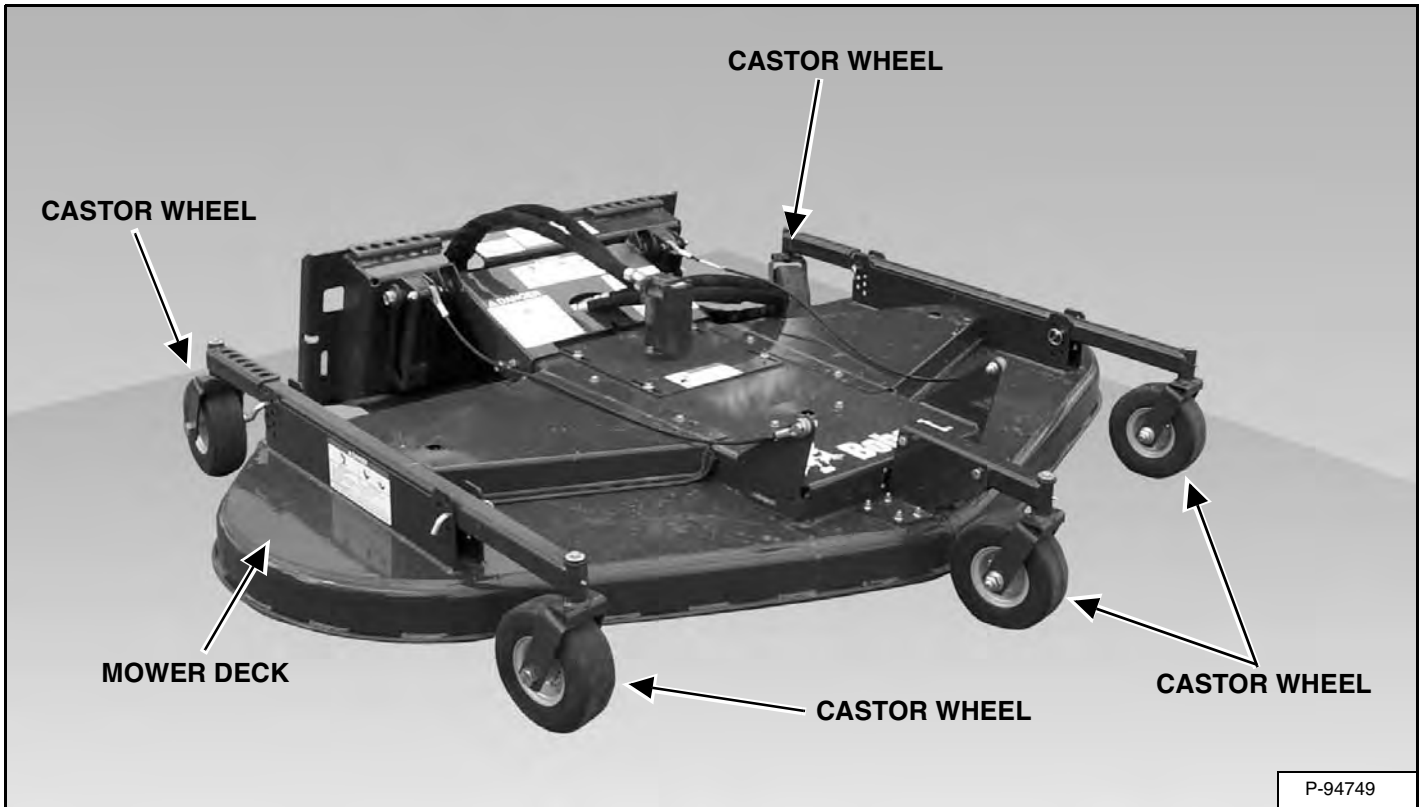
Figure 3

A diagram of a delivery report form. The form is titled "DELIVERY REPORT" and is divided into several sections. The top right section is titled "DELIVERY REPORT" and contains several lines of text. The bottom left section is titled "WARNING" and contains several lines of text. The bottom right section is titled "B-16315". The form is shown in a perspective view, with a white box in the bottom right corner containing the text "B-16315".

The delivery report [Figure 3] must be completed by the dealer and signed by the owner or operator when the Bobcat mower is delivered. An explanation of the form must be given to the owner.

## ATTACHMENT IDENTIFICATION

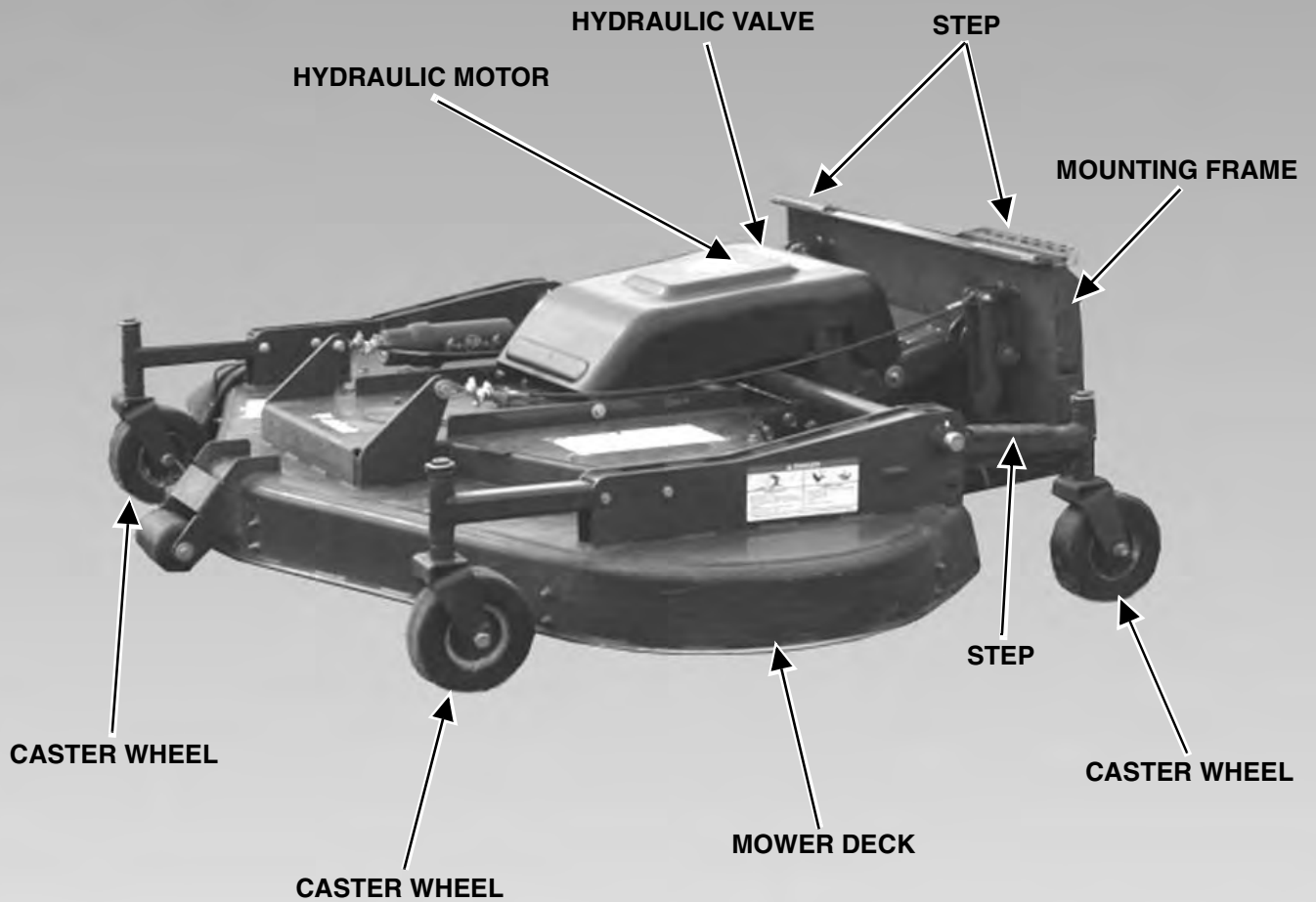
72 Inch S/N 230400101 & Above  
90 Inch S/N 230700101 & Above



**ATTACHMENT IDENTIFICATION (CONT'D)**

**72 Inch S/N A8WB00101 & Above**

**90 Inch S/N A8SD00101 & Above**



P-96260



**Bobcat®**

## SAFETY & MAINTENANCE

TROUBLESHOOTING .....	10-10-1
INSPECTION .....	10-20-1
Bob-Tach .....	10-20-1
Attachment Mounting Frame .....	10-20-3
Mower .....	10-20-3
Checking The Mechanical Linkage (S/N 230400101 & Above, S/N 230700101 & Above) .....	10-20-4
Checking The Mechanical Linkage (S/N A8WB00101 & Above, S/N A8SD00101 & Above) .....	10-20-5
Checking The Blade Shut-off Device (S/N 230400101 & Above, S/N 230700101 & Above) .....	10-20-6
Checking The Blade Shut-off Device (S/N A8WB00101 & Above, S/N A8SD00101 & Above) .....	10-20-7
LUBRICATION .....	10-30-1
Lubrication Locations (S/N 230400101 & Above, S/N 230700101 & Above) .....	10-30-1
Lubrication Locations (S/N A8WB00101 & Above, S/N A8SD00101 & Above) ....	10-30-2
MOWER SERVICE .....	10-40-1
Cleaning The Mower (S/N 230400101 & Above, S/N 230700101 & Above) .....	10-40-1
Cleaning The Mower (S/N A8WB00101 & Above, S/N A8SD00101 & Above) .....	10-40-3
Blade Removal And Installation (S/N 230400101 & Above, S/N 230700101 & Above) .....	10-40-5
Blade Removal And Installation (S/N A8WB00101 & Above, S/N A8SD00101 & Above) .....	10-40-7
Blade Belt Adjustment (S/N 230400101 & Above, S/N 230700101 & Above) .....	10-40-9
Blade Belt Adjustment (S/N A8WB00101 & Above, S/N A8SD00101 & Above) .....	10-40-11
CUTTING HEIGHT .....	10-50-1
Cutting Height Adjustment (S/N 230400101 & Above, S/N 230700101 & Above) ..	10-50-1
Cutting Height Adjustment (S/N A8WB00101 & Above, S/N A8SD00101 & Above)	10-50-3
SERVICE SCHEDULE .....	10-60-1
Chart (S/N 230400101 & Above, S/N 230700101 & Above) .....	10-60-1
Chart (S/N A8WB00101 & Above, S/N A8SD00101 & Above) .....	10-60-1



**Bobcat®**

## TROUBLESHOOTING



### WARNING

Instructions are necessary before operating or servicing machine. Read and understand the Operation & Maintenance Manual, Operator's Handbook and signs (decals) on machine. Follow warnings and instructions in the manuals when making repairs, adjustments or servicing. Check for correct function after adjustments, repairs or service. Untrained operators and failure to follow instructions can cause injury or death.

W-2003-0903

If the attachment is not working correctly, check the hydraulic system of the machine thoroughly before making any repairs on the attachment. Attachment problems can be affected by a hydraulic system that is not operating to specifications. Connect a flow meter to the machine to check the hydraulic pump output, relief valve setting and tube lines to check flow and pressure. (See the machine's Service Manual for the correct procedure to connect the flow meter.)

Use the following troubleshooting chart to locate and correct problems which most often occur with the attachment.

PROBLEM	CAUSE	CORRECTION
Poor cutting.	Travel speed too fast.	Reduce travel speed.
	Damaged motor	Repair or replace motor.
	Low blade RPM.	Check auxiliary flow and pressure.
	Blade belt slipping	Adjust belt to correct tension.
	Blades dull.	Sharpen or replace the blades.
Blades will not rotate.	Lift arms too high.	Lower lift arms and reactivate the auxiliary hydraulics.
	Hydraulic fluid level too low.	Add hydraulic fluid to the fluid reservoir on the machine.
	Damaged quick coupler(s).	Replace quick couplers.
	Damaged hydraulic hoses.	Repair or replace hoses.
	Worn or broken blade belt.	Replace belt.
	Blade shut-off linkage broken or missing.	Repair or replace as needed. See dealer for service.
	Internal damage to valve.	See dealer for service.
	Machine main relief valve set too low.	Adjust main relief valve to correct setting.
Blades will not stop when shut-off lever is engaged.	Linkage broken.	Replace linkage.
	Internal damage to valve.	See dealer for service.
Vibration.	Build up of material on the bottom of the mower deck.	Clean the bottom of the mower deck.
	Loose or cracked hardware.	Repair or replace as needed.
	Blades worn or broken.	Replace the blades.
	Blade spindles bent.	Replace spindles.
	Blades not balanced.	Balance or replace blades.



**Bobcat®**



## INSPECTION

### Bob-Tach

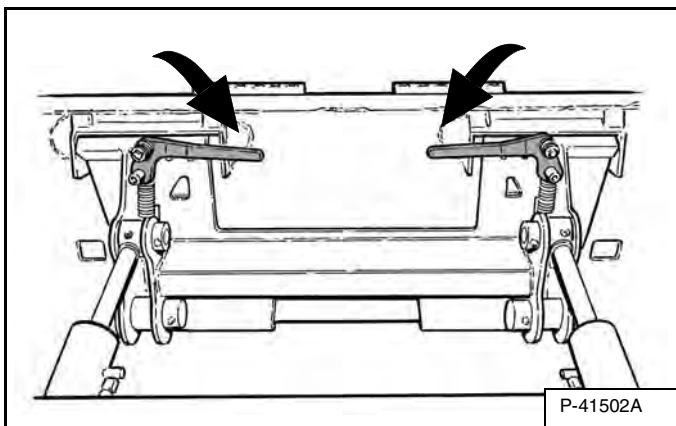
#### Hand Lever Bob-Tach

# ! WARNING

Bob-Tach wedges must extend through the holes in attachment. Lever(s) must be fully down and locked. Failure to secure wedges can allow attachment to come off and cause injury or death.

W-2102-0497

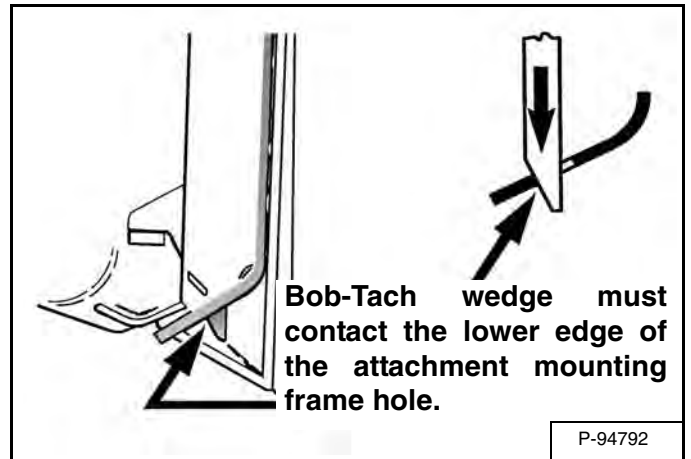
Figure 10-20-1



Push down on the Bob-Tach levers until they are fully engaged in the locked position [Figure 10-20-1] (wedges fully extended through the attachment mounting frame holes).

The levers and wedges must move freely [Figure 10-20-1].

Figure 10-20-2



The wedges must extend through the holes in the attachment mounting frame, securely fastening the attachment to the Bob-Tach [Figure 10-20-2].

**NOTE:** If the wedge does not contact the lower edge of the hole, the attachment will be loose and can come off the Bob-Tach.

Inspect the mounting frame on the attachment. (See the machine's Operation and Maintenance Manual for inspecting the Bob-Tach). Replace any parts that are damaged, bent or missing. Keep all fasteners tight. Look for cracked welds. Contact your Bobcat dealer for repair or replacement parts.

Lubricate the wedges. (See the machine's Operation & Maintenance Manual for the correct procedure.)

## INSPECTION (CONT'D)

### Bob-Tach (Cont'd)

Power Bob-Tach

# ! WARNING

## AVOID INJURY OR DEATH

The Bob-Tach wedges must extend through the holes in the attachment mounting frame. Levers must be fully down and locked. Failure to secure wedges can allow attachment to come off.

W-2715-0208

Figure 10-20-3

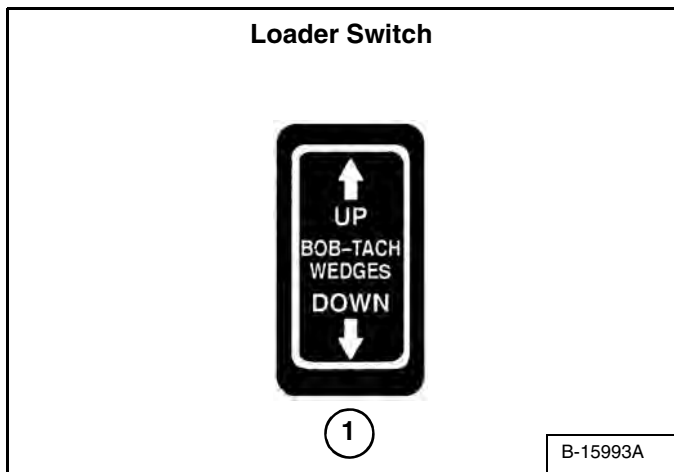


Figure 10-20-4

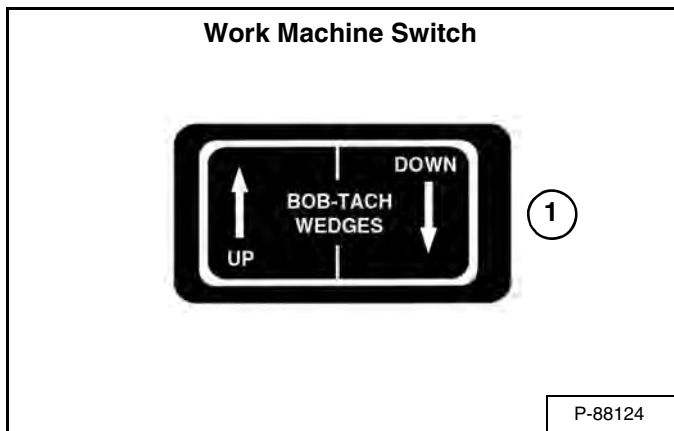
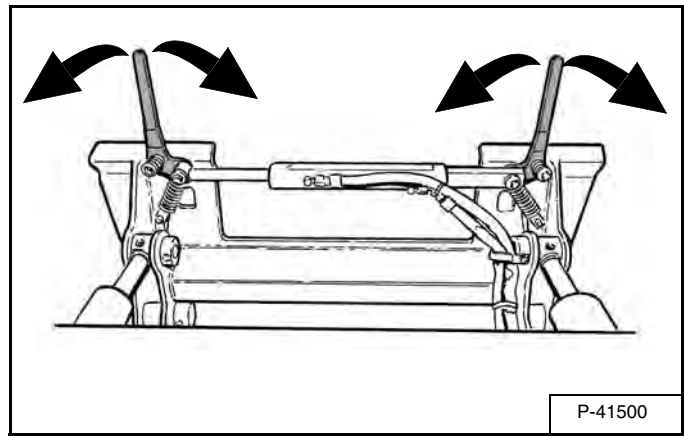
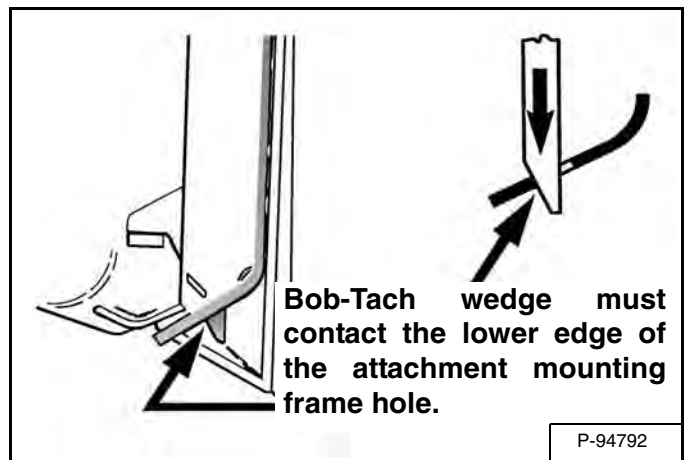


Figure 10-20-5



Push and hold the BOB-TACH “WEDGES DOWN” switch (Item 1) [Figure 10-20-3] or [Figure 10-20-4] until the levers are fully engaged in the locked position [Figure 10-20-5] (wedges fully extended through the attachment mounting frame holes).

Figure 10-20-6



The wedges must extend through the holes in the attachment mounting frame, securely fastening the attachment to the Bob-Tach [Figure 10-20-6].

**NOTE: If the wedge does not contact the lower edge of the hole, the attachment will be loose and can come off the Bob-Tach.**

Inspect the mounting frame on the attachment. (See the machine's Operation and Maintenance Manual for inspecting the Bob-Tach). Replace any parts that are damaged, bent or missing. Keep all fasteners tight. Look for cracked welds. Contact your Bobcat dealer for repair or replacement parts.

Lubricate the wedges. (See the machine's Operation & Maintenance Manual for the correct procedure.)

**Dear**

**Thanks very much for your visiting and  
patience.**

**Want to get more information,**

**Please click here, Go back to the page.**

**After your payment, you will have instant access to  
your download.**

**The Download Link will also be sent to your e-mail.**

**You will get the complete manual**

**Have any questions**

**please write to me**

**[admin@servicemanualperfect.com](mailto:admin@servicemanualperfect.com)**