

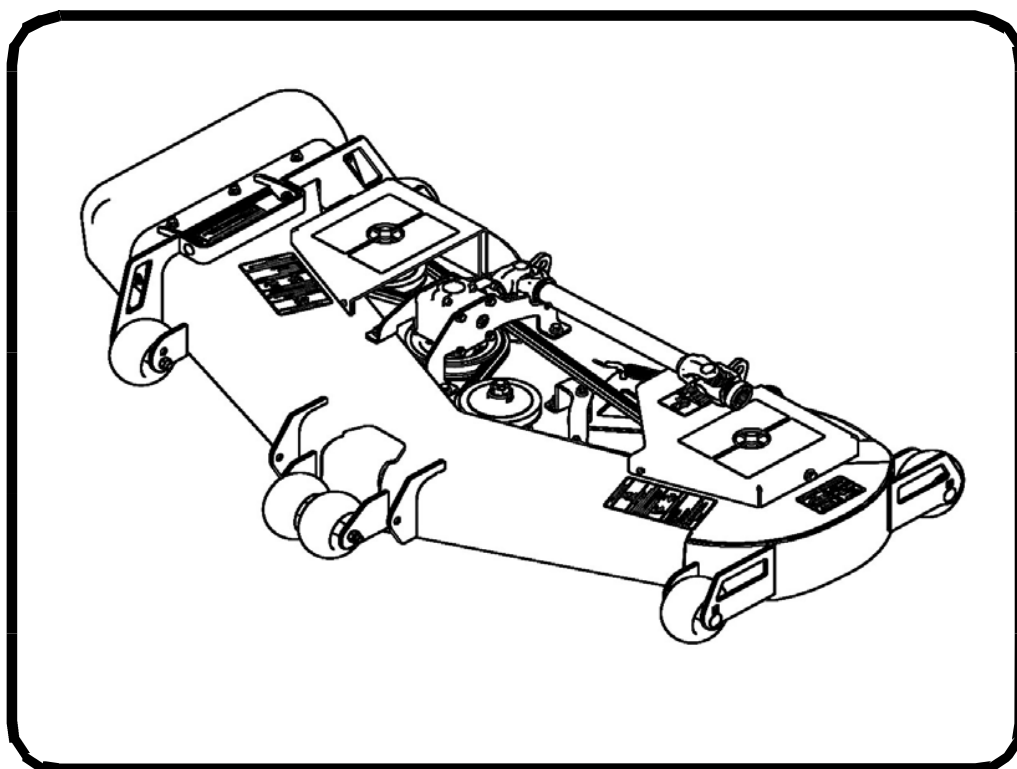


# Service Manual

## Mid-Mount Finish Mower

---

**(Mower Mid MM54) S/N AB4D00101 & Above**  
**(Mower Mid MM66) S/N AB4C00101 & Above**





# MAINTENANCE SAFETY



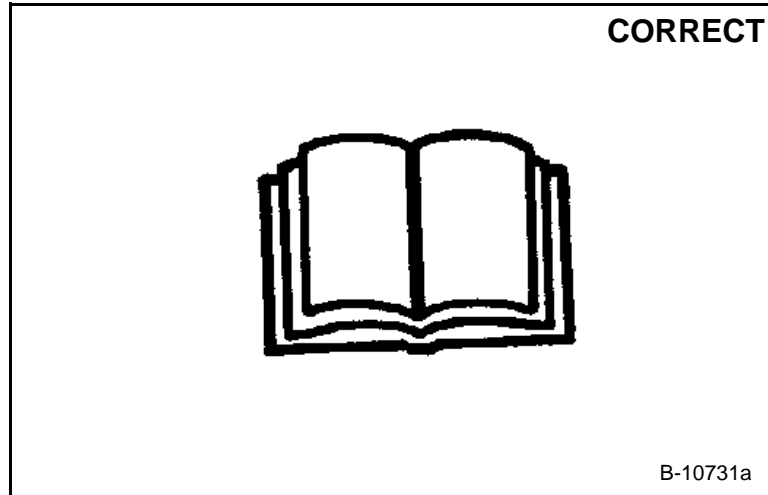
## WARNING









Instructions are necessary before operating or servicing machine. Read and understand the Operation & Maintenance Manual, Operator's Handbook and signs (decals) on machine. Follow warnings and instructions in the manuals when making repairs, adjustments or servicing. Check for correct function after adjustments, repairs or service. Untrained operators and failure to follow instructions can cause injury or death.

W-2003-0903



**Safety Alert Symbol:** This symbol with a warning statement, means: "Warning, be alert! Your safety is involved!" Carefully read the message that follows.



-  Never service attachments / implements without instructions. See Operation & Maintenance Manual and Attachment / Implement Service Manual.
-  Cleaning and maintenance are required daily.
-  Never service or adjust attachment / implement with the engine running unless instructed to do so in manual.
-  Always lower the attachment / implement to the ground before lubricating or servicing.
-  Avoid contact with leaking hydraulic fluid or diesel fuel under pressure. It can penetrate skin or eyes.
-  Stop, cool and clean engine of flammable materials before checking fluids.
-  Keep body, loose objects and clothing away from moving parts, electrical contacts, hot parts and exhaust.
-  Safety glasses are needed for eye protection from electrical arcs, battery acid, compressed springs, fluids under pressure and flying debris or when tools are used. Use eye protection approved for type of welding.



**Bobcat**®

## ALPHABETICAL INDEX

BLADE .....	10-40-1
BLADE SPINDLE .....	20-50-1
BELT TENSIONER .....	20-60-1
ANTI-SCALP WHEEL .....	20-10-1
DELIVERY REPORT .....	III
DRIVE BELT .....	10-30-1
DISCHARGE CHUTE .....	20-40-1
GEARBOX .....	20-20-1
IDENTIFICATION AND MACHINE SIGNS (DECALS) .....	IV
LUBRICATING THE IMPLEMENT .....	10-20-1
(MID-MOUNT FINISH MOWER) IMPLEMENT SPECIFICATIONS ...	SPEC-10-1
MOUNTING FRAME (MOWER MID MM54) .....	20-70-1
MOUNTING FRAME (MOWER MID MM66) .....	20-71-1
PTO DRIVELINE .....	20-30-1
SERIAL NUMBER LOCATION .....	III
TROUBLESHOOTING .....	10-10-1



**Bobcat®**

# CONTENTS

**SAFETY AND  
MAINTENANCE**

DELIVERY REPORT..... III  
IDENTIFICATION AND MACHINE SIGNS (DECALS) .....IV  
SERIAL NUMBER LOCATION ..... III  
SAFETY AND MAINTENANCE.....10-01  
MAIN FRAME .....20-01  
SPECIFICATIONS AND SCHEMATICS ..... SPEC-01

**MAIN  
FRAME**

**SPECIFICATIONS  
AND  
SCHEMATICS**

## REFERENCE INFORMATION

Write the correct information for YOUR mid-mount finish mower implement in the spaces below. Always use these numbers when referring to your mid-mount finish mower.

Mid-Mount Finish Mower Serial Number \_\_\_\_\_  
\_\_\_\_\_  
\_\_\_\_\_  
\_\_\_\_\_

NOTES:

\_\_\_\_\_  
\_\_\_\_\_  
\_\_\_\_\_  
\_\_\_\_\_

YOUR BOBCAT® DEALER:

ADDRESS:

PHONE:

\_\_\_\_\_  
Bobcat Company  
P.O. Box 128  
Gwinner, ND 58040-0128

Bobcat Company Europe  
Drève Richelle 167  
B-1410 WATERLOO  
Belgium



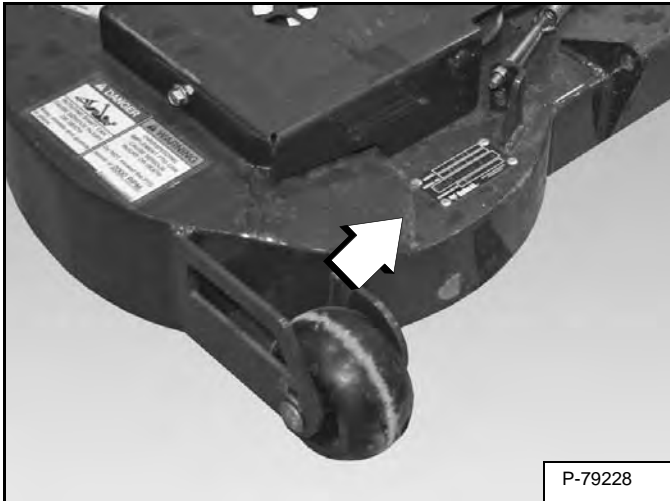
**Bobcat®**



## SERIAL NUMBER LOCATION

### Implement Serial Number

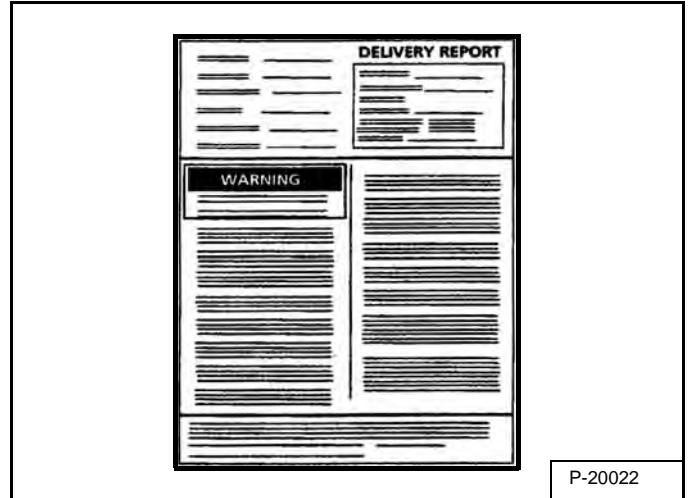
Figure 1



Always use the serial number of the mid-mount finish mower when requesting service information or when ordering parts. Early or later models (identification made by serial number) may use different parts, or it may be necessary to use a different procedure in doing a specific service operation [Figure 1].

## DELIVERY REPORT

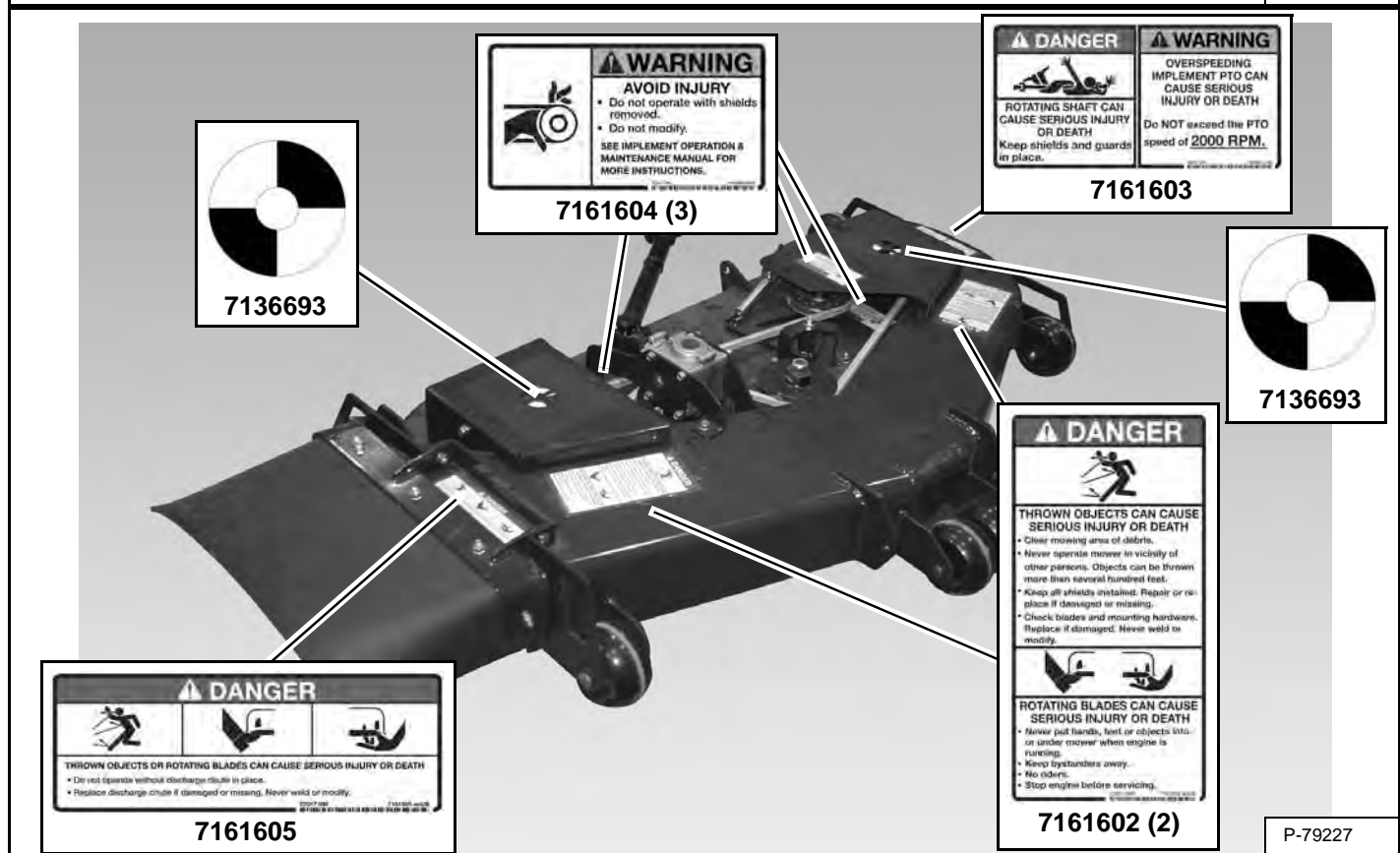
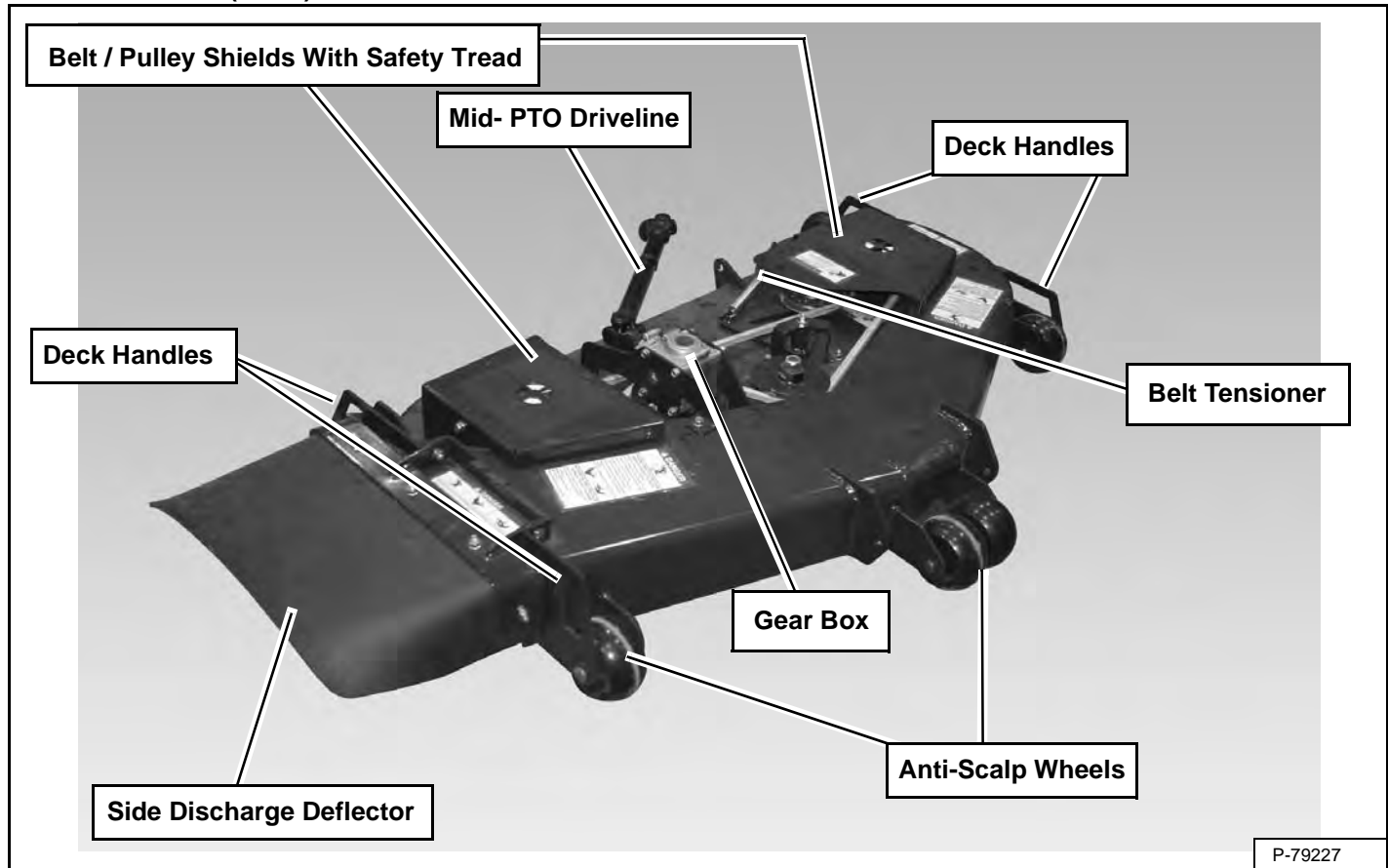
Figure 2



The delivery report must be filled out by the dealer and signed by the owner or operator when the mid-mount finish mower is delivered. An explanation of the form must be given to the owner. Make sure it is filled out completely [Figure 2].

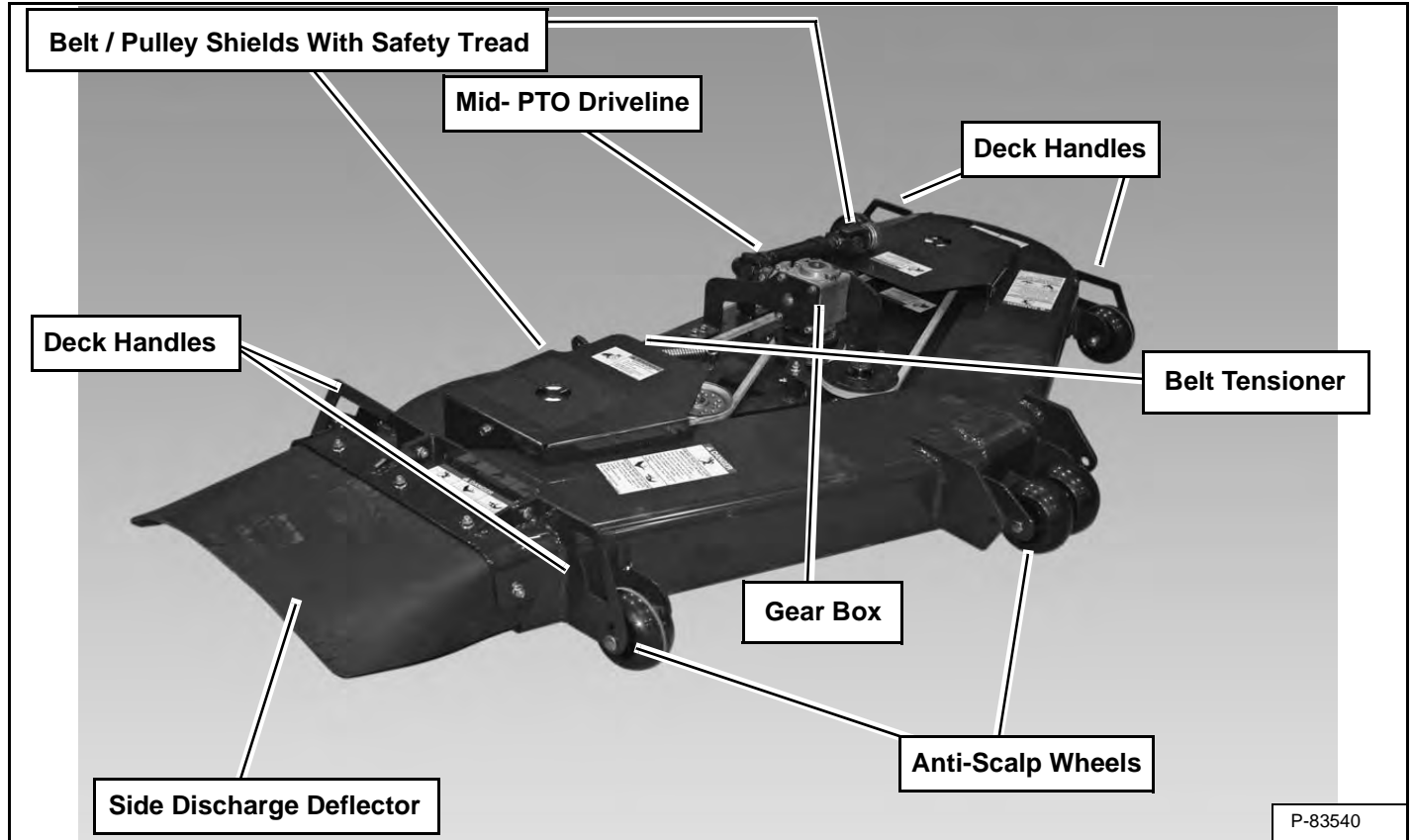
**IDENTIFICATION AND MACHINE SIGNS (DECALS)**

**Mower Mid MM54 (54 In.)**

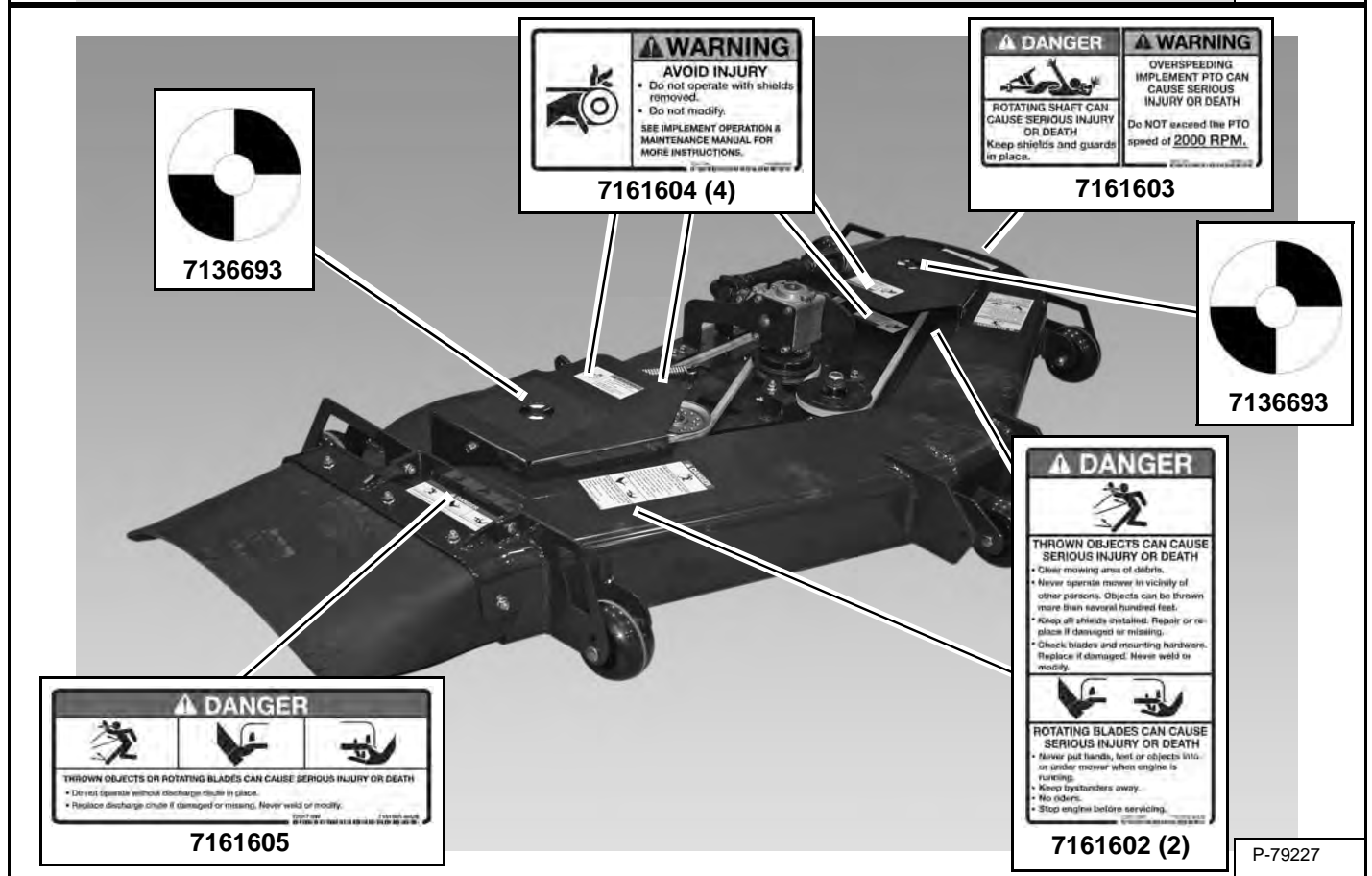


IDENTIFICATION AND MACHINE SIGNS (DECALS) (CONT'D)

Mower Mid MM66 (66 In.)



P-83540



P-79227



**Bobcat®**

## SAFETY AND MAINTENANCE

## SAFETY AND MAINTENANCE

BLADE .....	10-40-1
Removal And Installation .....	10-40-1
Sharpening .....	10-40-1
DRIVE BELT .....	10-30-1
Adjusting Belt Tension .....	10-30-1
Belt Routing .....	10-30-2
Removal And Installation .....	10-30-2
LUBRICATING THE IMPLEMENT .....	10-20-1
Lubrication Locations .....	10-20-1
TROUBLESHOOTING .....	10-10-1
Chart .....	10-10-1



**Bobcat®**

## TROUBLESHOOTING

### Chart

TROUBLESHOOTING THE MID-MOUNT FINISH MOWER		
PROBLEM	CAUSE	CORRECTION
Poor cutting.	Travel speed too fast.	Reduce travel speed.
	Damaged motor	Repair or replace motor.
	Low blade RPM.	Increase RPM.
	Blade belt slipping	Adjust belt to correct tension.
	Blades dull.	Sharpen or replace the blades.
Blades will not rotate.	Worn or broken blade belt.	Replace belt.
	PTO driveline disconnected.	Connect PTO driveline.
Vibration.	Build up of material on the bottom of the mower deck.	Clean the bottom of the mower deck.
	Loose or cracked hardware.	Repair or replace as needed.
	Blades worn or broken.	Replace the blades.
	Blade spindles bent.	Replace spindles.
	Blades not balanced.	Balance or replace blades.



**Bobcat®**



## LUBRICATING THE IMPLEMENT

### Lubrication Locations



#### AVOID INJURY OR DEATH

If equipped with a loader or implement, always have the attachment or implement fully lowered on the ground. Stop the engine and engage the parking brake before doing any maintenance to the compact tractor. Do Not work under raised loader arms or raised implement.

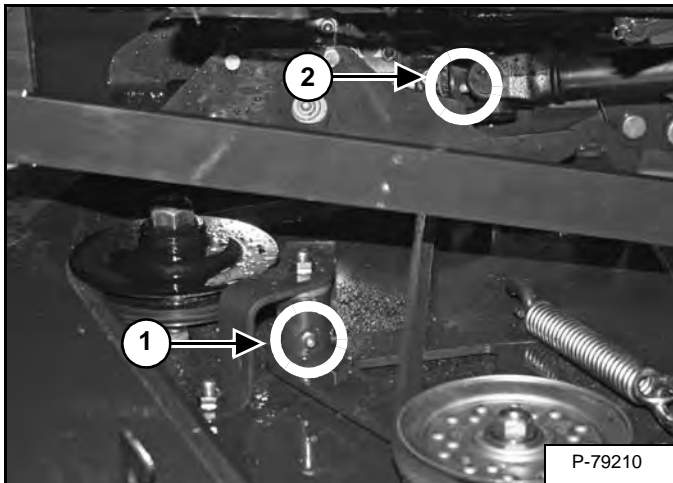
W-2599-0607

Lubricate as specified for the best performance of the mid-mount finish mower.

Always use a good quality lithium based multi-purpose grease. Apply lubricant until extra grease shows.

Lubricate the following:

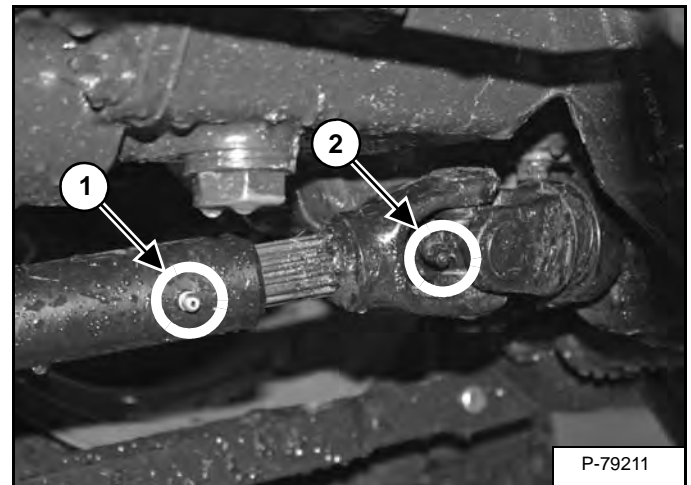
Figure 10-20-1



Belt tension pivot (Item 1) [Figure 10-20-1].

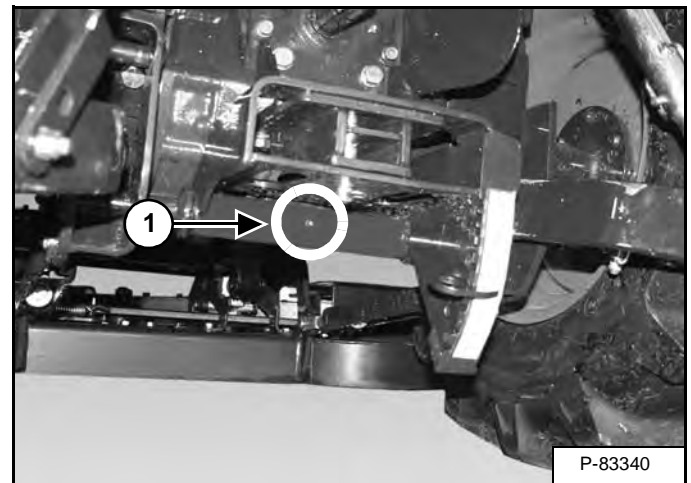
Front of PTO driveline (Item 2) [Figure 10-20-1].

Figure 10-20-2



Two locations (Items 1 & 2) [Figure 10-20-2] at the rear of the PTO driveline.

Figure 10-20-3



Pivot pin on the rear mount (Item 1) [Figure 10-20-3].



**Bobcat®**

**Dear**

**Thanks very much for your visiting and  
patience.**

**Want to get more information,**

**Please click here, Go back to the page.**

**After your payment, you will have instant access to  
your download.**

**The Download Link will also be sent to your e-mail.**

**You will get the complete manual**

**Have any questions**

**please write to me**

**[admin@servicemanualperfect.com](mailto:admin@servicemanualperfect.com)**