

Brushcat™ Rotary Cutter

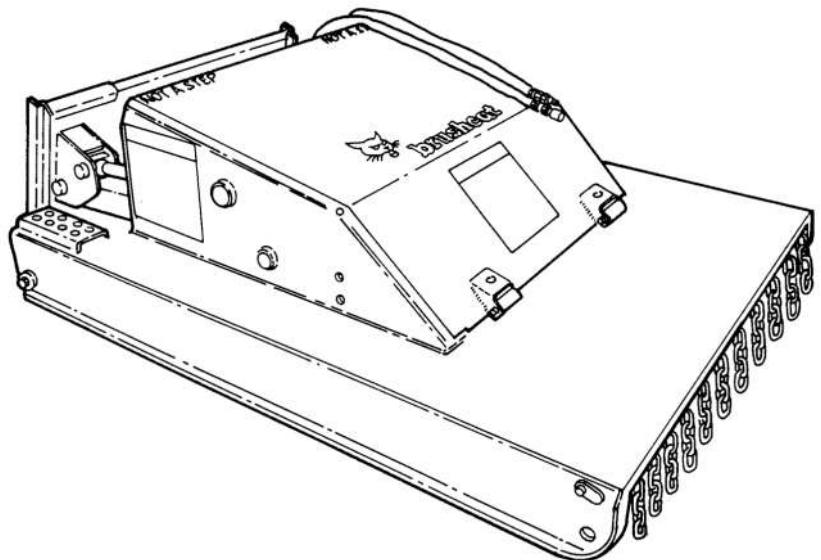
60 Inch
72 Inch
90 Inch



Bobcat®

Service Manual

60 Inch S/N 467002282 & Above
60 Inch S/N 467200101 & Above
60 Inch S/N A01900101 & Above
60 Inch HF S/N A01A00101 & Above
72 Inch S/N A00800101 & Above
72 Inch HF S/N A01B00101 & Above
72 Inch X S/N A01C00101 & Above
90 Inch S/N 467100101 & Above



MAINTENANCE SAFETY



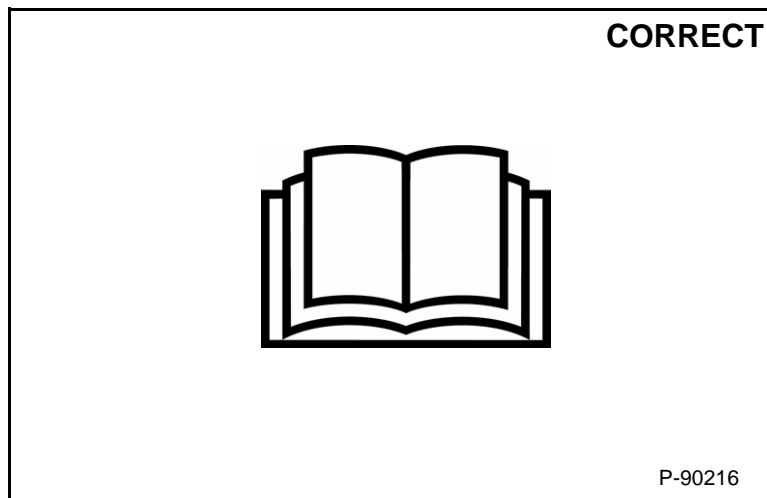
WARNING









Instructions are necessary before operating or servicing machine. Read and understand the Operation & Maintenance Manual, Operator's Handbook and signs (decals) on machine. Follow warnings and instructions in the manuals when making repairs, adjustments or servicing. Check for correct function after adjustments, repairs or service. Untrained operators and failure to follow instructions can cause injury or death.

W-2003-0807



Safety Alert Symbol: This symbol with a warning statement, means: "Warning, be alert! Your safety is involved!" Carefully read the message that follows.



-  Never service attachments / implements without instructions. See Operation & Maintenance Manual and Attachment / Implement Service Manual.
-  Cleaning and maintenance are required daily.
-  Never service or adjust attachment / implement with the engine running unless instructed to do so in manual.
-  Always lower the attachment / implement to the ground before lubricating or servicing.
-  Avoid contact with leaking hydraulic fluid or diesel fuel under pressure. It can penetrate skin or eyes.
-  Stop, cool and clean engine of flammable materials before checking fluids.
-  Keep body, loose objects and clothing away from moving parts, electrical contacts, hot parts and exhaust.
-  Safety glasses are needed for eye protection from electrical arcs, battery acid, compressed springs, fluids under pressure and flying debris or when tools are used. Use eye protection approved for type of welding.



Bobcat®

ALPHABETICAL INDEX

ADJUSTING THE COVER LATCH (S/N 467002282 & ABOVE, 467200101 & ABOVE AND 467100101 & ABOVE)	30-01
AUXILIARY HYDRAULIC PRESSURE GAUGE	20-01
BLADE	30-01
BRUSHCAT ROTARY CUTTER SERVICE	10-01
CHAIN SHIELD	30-01
GEARBOX 60 INCH (S/N 46702282 & ABOVE AND 467200101 & ABOVE)	30-01
GEARBOX 60 AND 72 INCH (S/N A01900101 & ABOVE, A01A00101 & ABOVE, A00800101 & ABOVE, A01B00101 & ABOVE AND A01C00101 & ABOVE)	30-01
GEARBOX 60 INCH (S/N 46702282 & ABOVE AND 467200101 & ABOVE)	30-01
GEARBOX 90 INCH	30-01
GLOSSARY OF HYDRAULIC SYMBOLS FOR ATTACHMENTS	SPEC-01
HYDRAULIC CONTROL VALVE (S/N 467200101 & ABOVE, 467002282 & ABOVE AND 467100101 & ABOVE)	20-01
HYDRAULIC FLOW INFORMATION	20-01
HYDRAULIC MOTOR (S/N 467002282 & ABOVE, 467200101 & ABOVE AND 467100101 & ABOVE)	20-01
HYDRAULIC SCHEMATIC	SPEC-01
INSPECTION	10-01
LUBRICATION	10-01
MOUNT (S/N 467002282 & ABOVE, 467200101 & ABOVE AND 467100101 & ABOVE)	30-01
MOUNTING FRAME (S/N A01900101 & ABOVE, A00800101 & ABOVE, A00800101 & ABOVE, A01B00101 & ABOVE AND A01C00101 & ABOVE)	30-01
POWER TAKE OFF SHAFT	30-01
RELIEF VALVE (S/N 467200101 & ABOVE, 467002282 & ABOVE AND 467100101 & ABOVE)	20-01
ROD (S/N 467002282 & ABOVE, 467200101 & ABOVE AND 467100101 & ABOVE)	30-01
ROLLER	30-01
SPECIFICATIONS	SPEC-01
SPRING CYLINDER (S/N A00800101 & ABOVE, A01900101 & ABOVE, A01A00101 & ABOVE, A01B00101 & ABOVE AND A01C00101 & ABOVE)	30-01
TROUBLESHOOTING	10-01



Bobcat®

CONTENTS

**SAFETY &
MAINTENANCE**

SERIAL NUMBER LOCATIONS	III
DELIVERY REPORT	III
BRUSHCAT ROTARY CUTTER IDENTIFICATION	IV
SAFETY & MAINTENANCE	10-01
HYDRAULIC SYSTEM	20-01
MAIN FRAME	30-01
SPECIFICATIONS	SPEC-01

**HYDRAULIC
SYSTEM**

MAIN FRAME

SPECIFICATIONS

**CALIFORNIA
PROPOSITION 65 WARNING**

Diesel engine exhaust and some of its constituents are known to the State of California to cause cancer, birth defects and other reproductive harm.



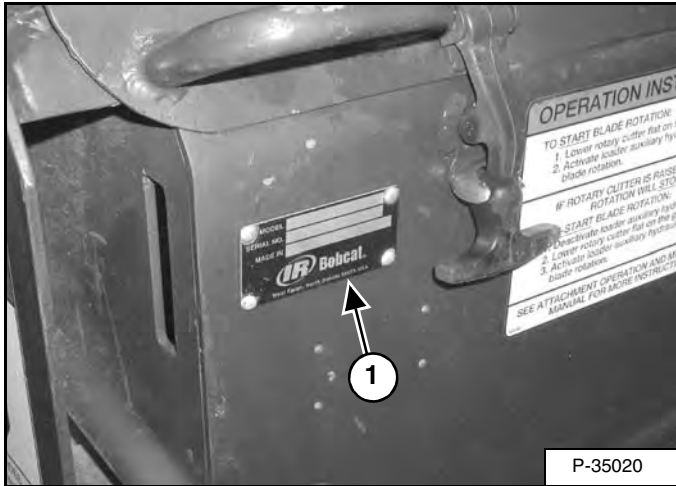
Bobcat®

SERIAL NUMBER LOCATIONS

Always use the serial number of the Brushcat Rotary Cutter when requesting service information or when ordering parts. Early or later models (identification made by serial number) may use different parts, or it may be necessary to use a different procedure in doing a specific service operation.

Brushcat Rotary Cutter Serial Number (S/N 467002282 & Above, 467200101 & Above and 467100101 & Above)

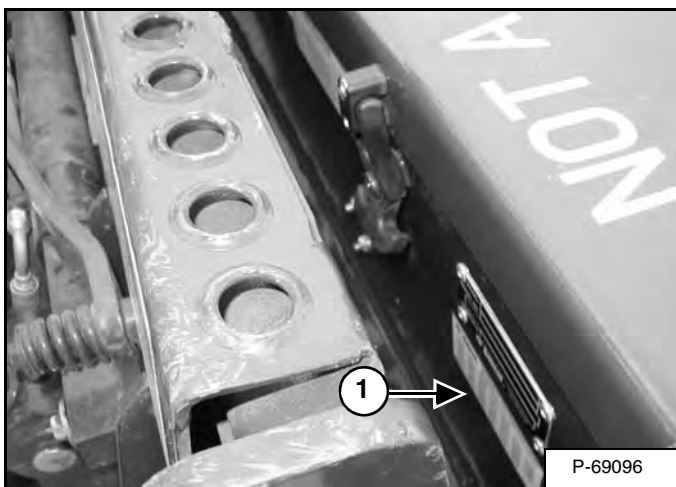
Figure 1



The Brushcat Rotary Cutter serial number plate (Item 1) [Figure 1] is located on the center of the front frame.

Brushcat Rotary Cutter Serial Number (SN A00800101 & Above, A01900101 & Above, A01A00101 & Above, A01B00101 & Above And A01C00101 & Above)

Figure 2



The Brushcat Rotary Cutter serial number plate (Item 1) [Figure 2] is located on the center of the front frame.

DELIVERY REPORT

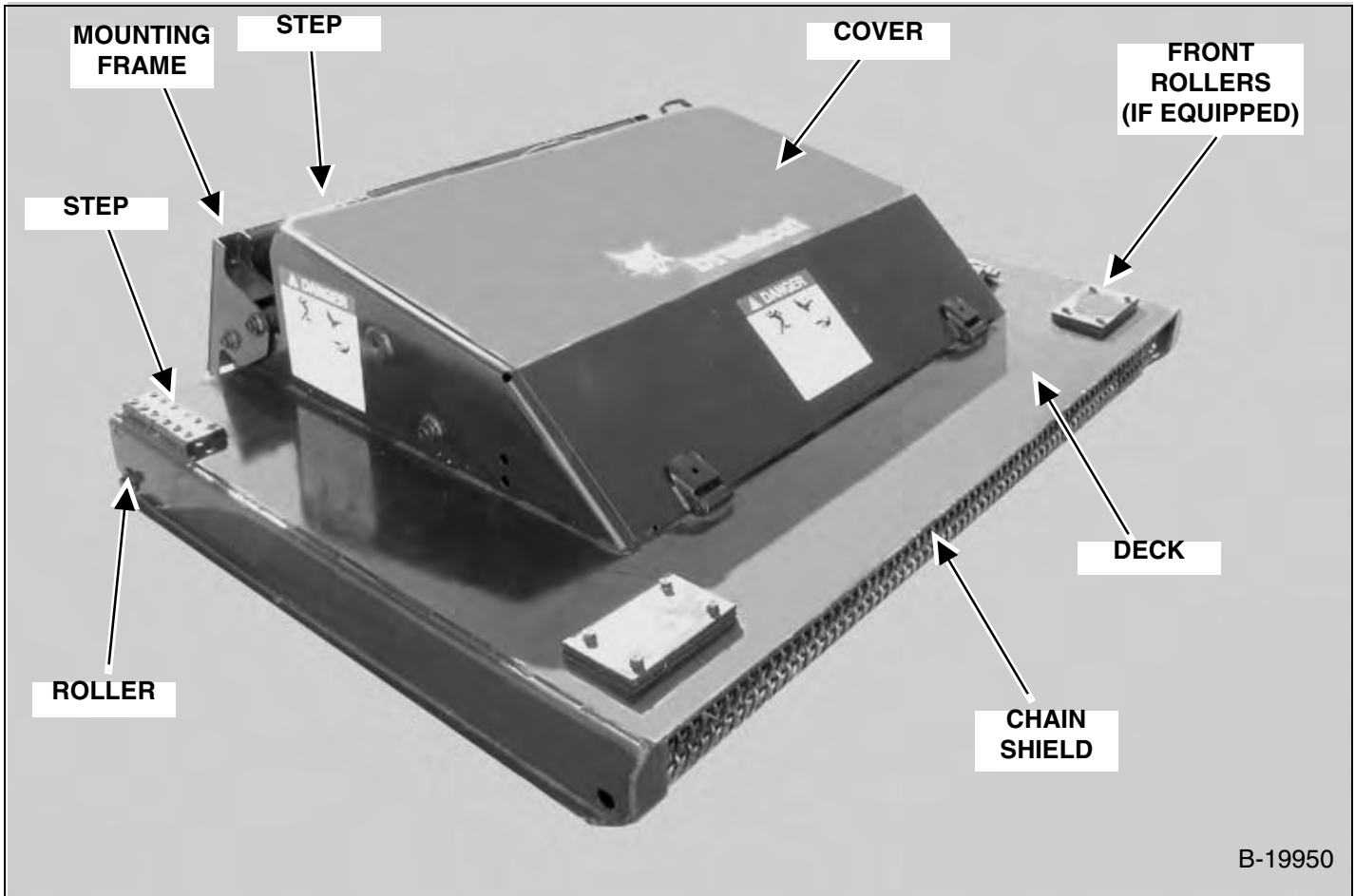
Figure 3

A diagram of a form titled 'DELIVERY REPORT'. The form is divided into two main sections. The top section is titled 'DELIVERY REPORT' and contains several lines of text for recording information. The bottom section is titled 'WARNING' and contains several lines of text for providing an explanation of the delivery. The form is labeled 'B-16315' in the bottom right corner.

The delivery report must be filled out by the dealer and signed by the owner or operator when the Bobcat Brushcat Rotary Cutter is delivered. An explanation of the form must be given to the owner. Make sure it is filled out completely [Figure 3].

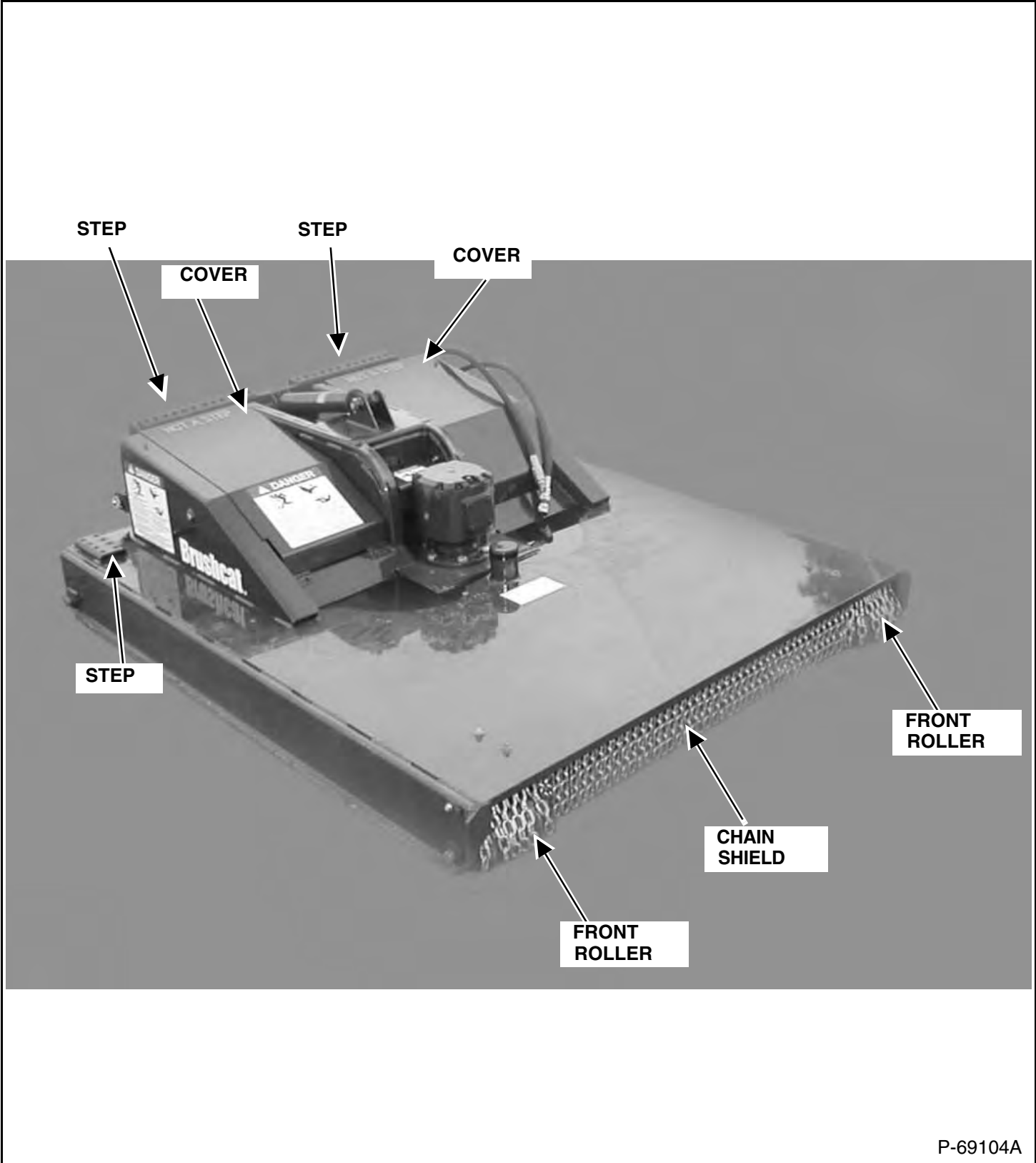
BRUSHCAT ROTARY CUTTER IDENTIFICATION

60 Inch (S/N 46700282 & Above And 467200101 & Above) And 90 Inch (S/N 467100101 & Above)



BRUSHCAT ROTARY CUTTER IDENTIFICATION (CONT'D)

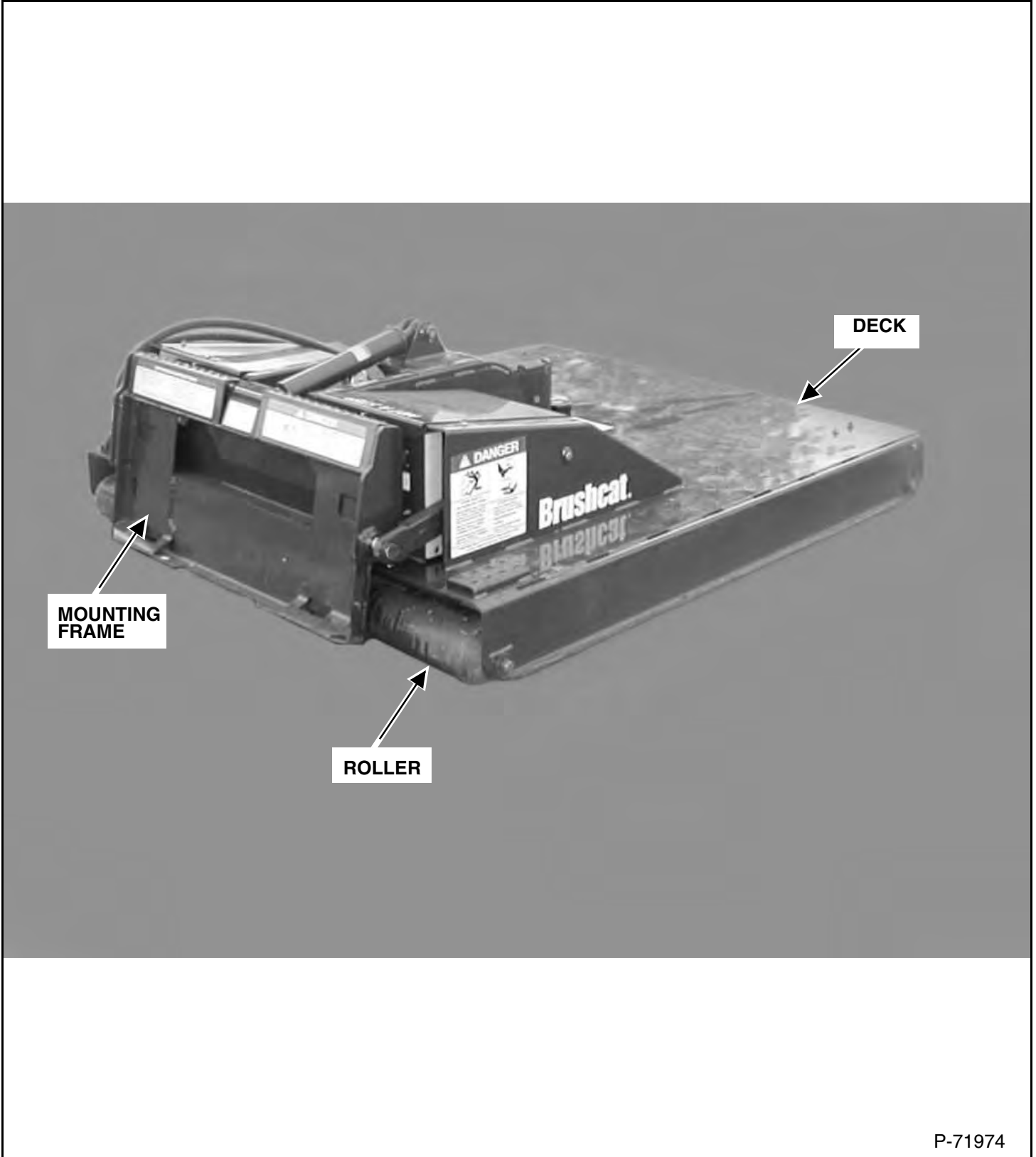
60 Inch (S/N A01900101 & Above And A01A00101 & Above) 72 Inch (S/N A00800101 & Above, A01B00101 & Above and A01C00101 & Above)



P-69104A

BRUSHCAT ROTARY CUTTER IDENTIFICATION (CONT'D)

60 Inch (S/N A01900101 & Above And A01A00101 & Above) 72 Inch (S/N A00800101 & Above, A01B00101 & Above and A01C00101 & Above)



SAFETY & MAINTENANCE

BRUSHCAT ROTARY CUTTER SERVICE..... 10-30-1
 Blade Removal And Installation..... 10-30-3
 Chain Shield Removal And Installation..... 10-30-5
 Cleaning The Rotary Cutter (S/N 467002282 & Above, 467200101
 & Above And 467100101 & Above)..... 10-30-1
 Cleaning The Rotary Cutter (S/N A01900101 & Above,
 A01A00101 & Above, A00800101 & Above, A01B00101 & Above
 And A01C00101 & Above)..... 10-30-3

INSPECTION..... 10-20-1
 Checking The Mechanical Linkage And The Blade Shut-Off
 Device..... 10-10-6
 Daily Inspection..... 10-20-5
 Hand Lever Bob-Tach Inspection..... 10-20-1
 Power Bob-Tach Inspection..... 10-20-2
 Rotary Cutter Inspection..... 10-20-4

LUBRICATION..... 10-40-1
 Lubrication Points (60 Inch Rotary Cutter) (S/N 467002282 &
 Above And 467200101 & Above)..... 10-40-1
 Lubrication Points (60 Inch Rotary Cutter S/N A01900101 &
 Above, A01A00101 & Above And 72 Inch Rotary Cutter S/N
 A00800101 & Above, A01800101 & Above And A01C00101 &
 Above)..... 10-40-5
 Lubrication Points (90 Inch Rotary Cutter) (S/N 467100101 &
 Above)..... 10-40-2

TROUBLESHOOTING..... 10-10-1



Bobcat®

TROUBLESHOOTING



AVOID INJURY OR DEATH

Instructions are necessary before operating or servicing machine. Read and understand the Operation & Maintenance Manual, Operator’s Handbook and signs (decals) on machine. Follow warnings and instructions in the manuals when making repairs, adjustments or servicing. Check for correct function after adjustments, repairs or service. Untrained operators and failure to follow instructions can cause injury or death.

W-2003-0807

PROBLEM	CAUSE	CORRECTION
Poor cutting.	Travel speed too fast.	Reduce travel speed.
	Debris on blade mounting plate.	Clean mounting plate.
	Damaged cutter motor.	Repair or replace motor.
	Low blade RPM.	Check auxiliary flow and pressure.
Blades will not stop when shut-off lever is engaged.	Linkage broken.	Replace linkage.
	Internal damage to valve.	Repair or replace valve.
Excessive vibration.	Build up of material on the blade mounting plate.	Clean mounting plate.
	Blades not swinging freely.	Check blades for obstructions.
	Loose or cracked hardware.	Repair or replace as needed.
	Blades worn or broken.	Replace both blades.
	Damaged angle drive.	Repair or replace angle drive.
Blades will not rotate.	Lift arms too high.	Lower lift arms and activate the auxiliary hydraulics.
	Loader fluid level too low.	Add hydraulic fluid to the fluid reservoir on the loader.
	Damaged hydraulic hoses.	Repair or replace hoses.
	Damaged quick coupler(s).	Replace quick coupler(s).
	Drive coupler slipping.	Check screws, bolt and nut, and key in drive coupler.
	Blade shut-off linkage broken or missing.	Repair or replace as needed.
	Internal damage to valve.	Repair or replace valve.
	Loader main relief valve set too low.	Adjust main relief valve to correct setting.

Dear

**Thanks very much for your visiting and
patience.**

Want to get more information,

Please click here, Go back to the page.

**After your payment, you will have instant access to
your download.**

The Download Link will also be sent to your e-mail.

You will get the complete manual

Have any questions

please write to me

admin@servicemanualperfect.com